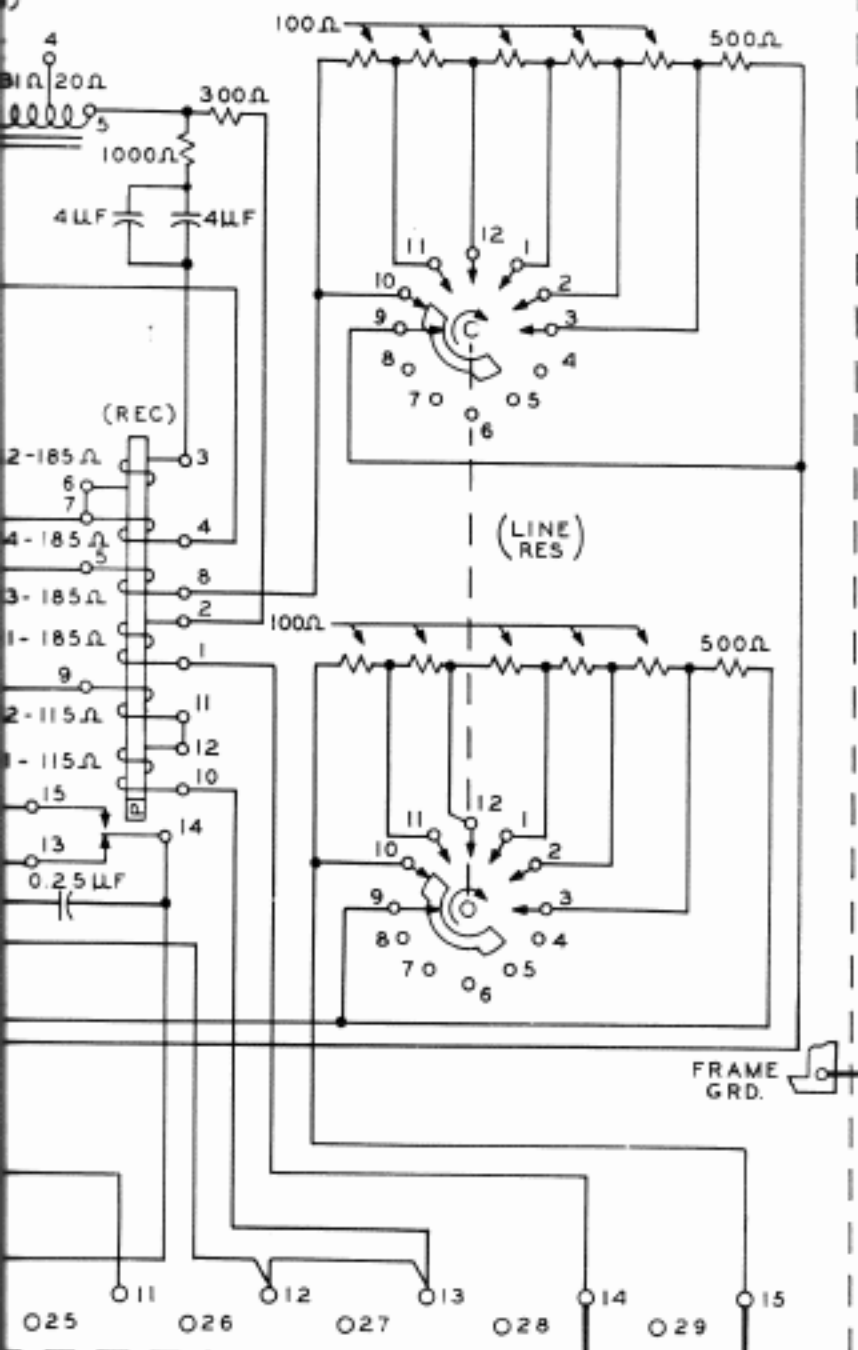




128C3 TTY SUB. SET



19 TTY CONSISTING OF:  
 15C BASE  
 15Y OR 15AA TYPING UNIT  
 15L38 OR 15T38 PERFORATOR TRANSMITTER  
 15D, 15J OR 15L MOTOR UNIT

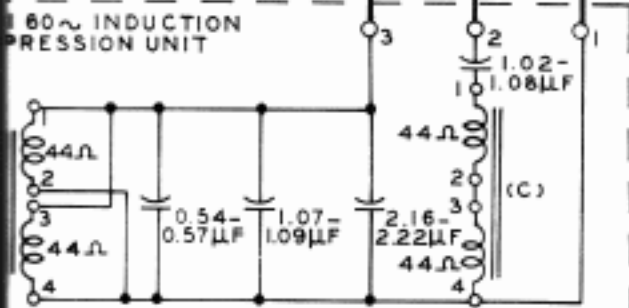
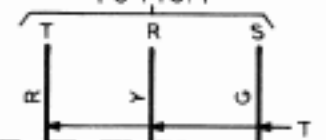
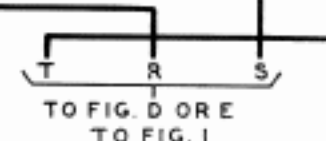
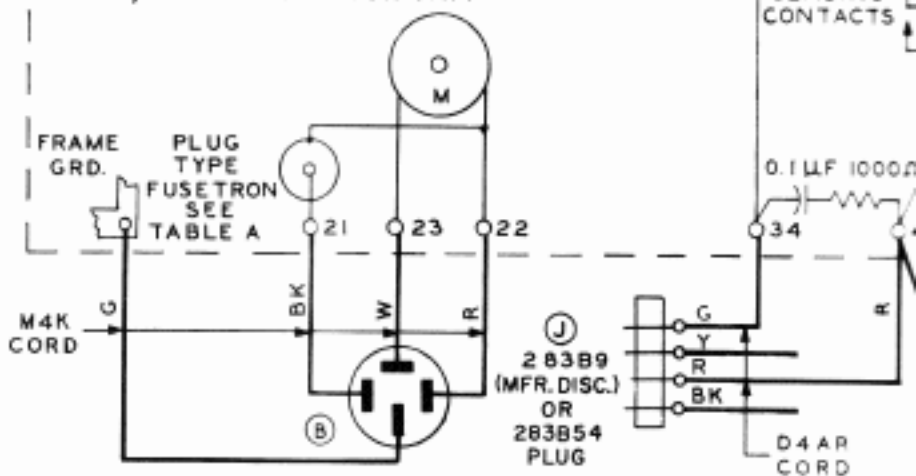


FIG. E

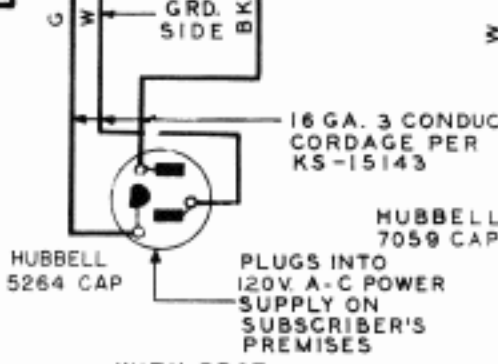
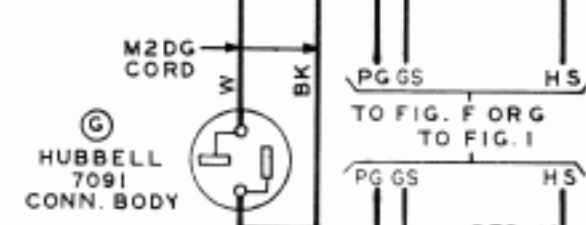


FIG. F

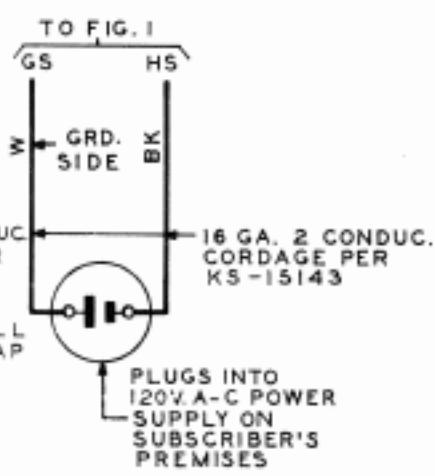
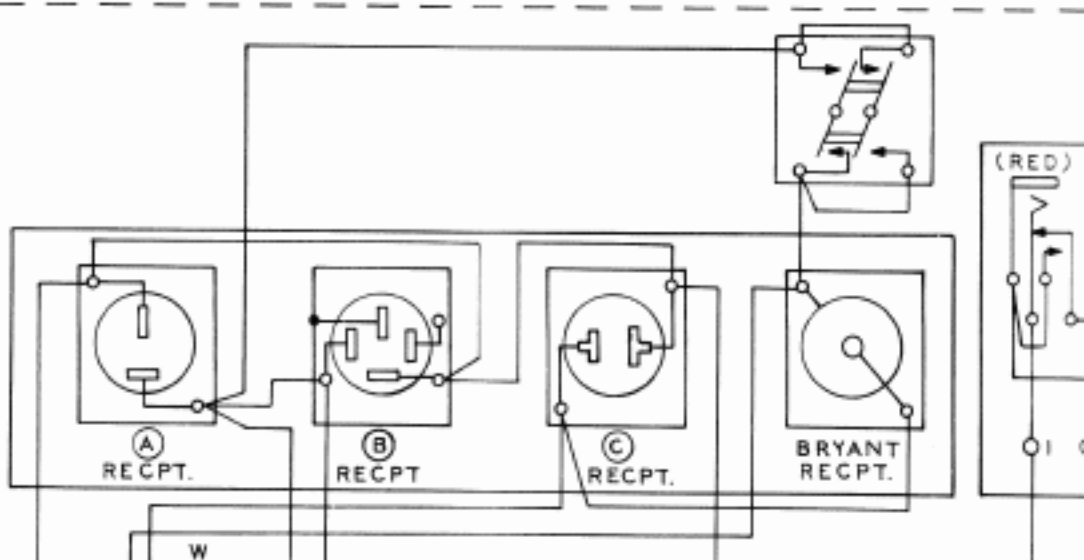
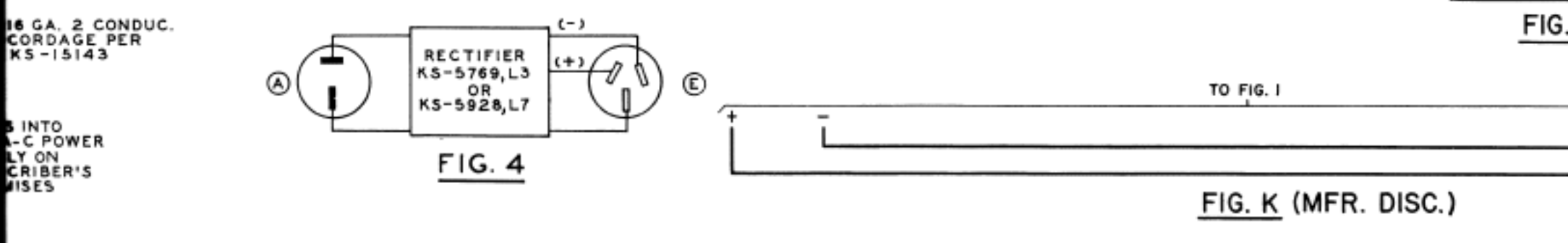
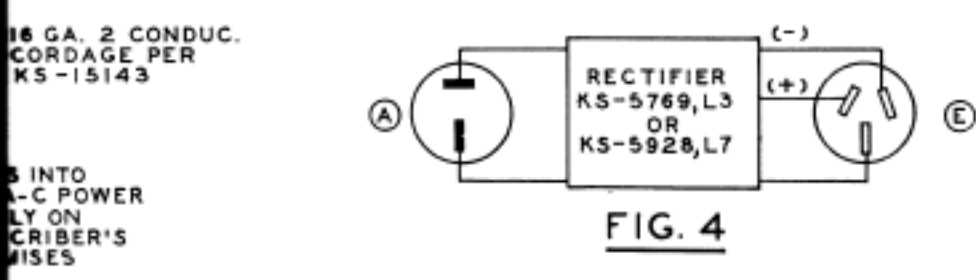
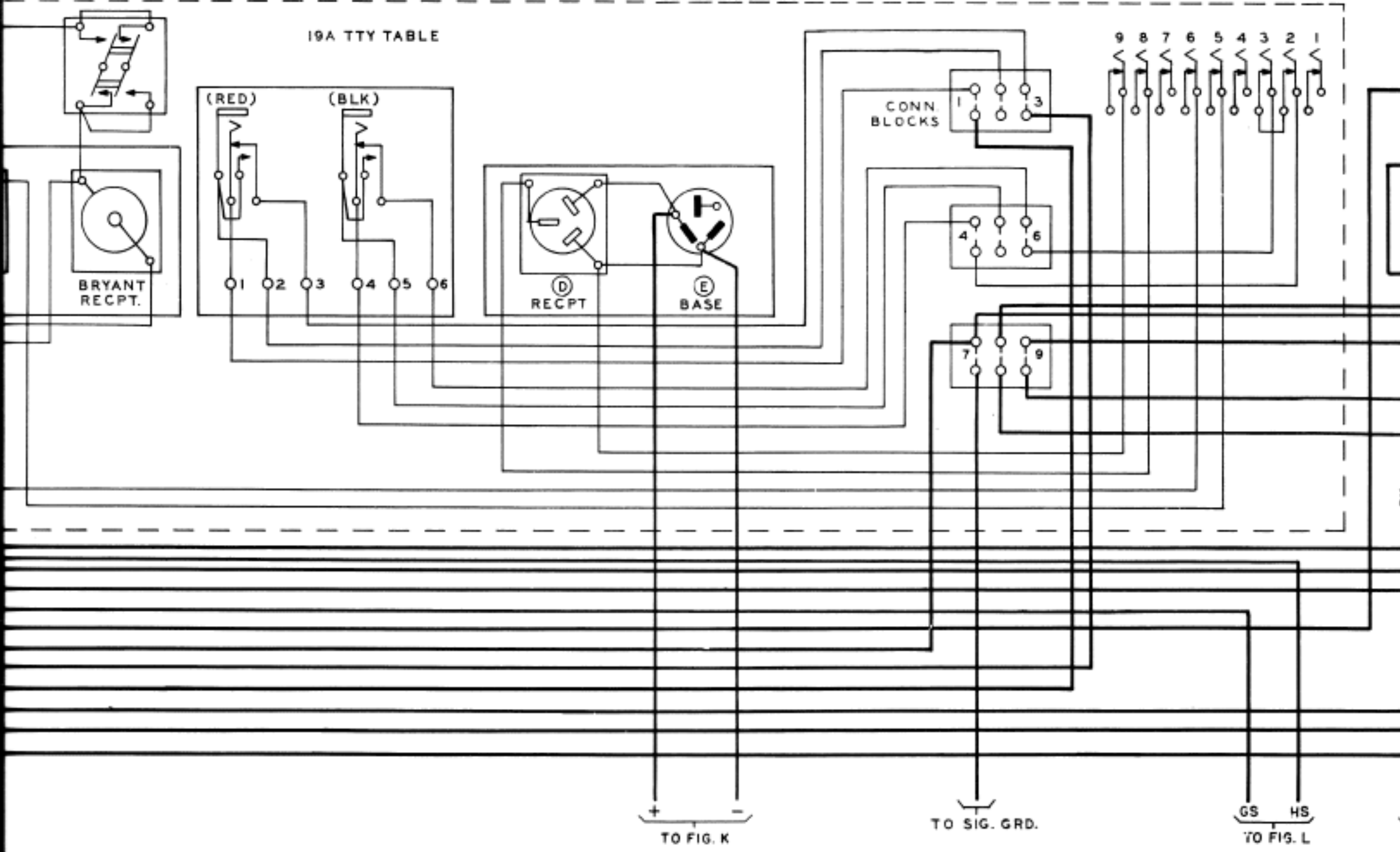
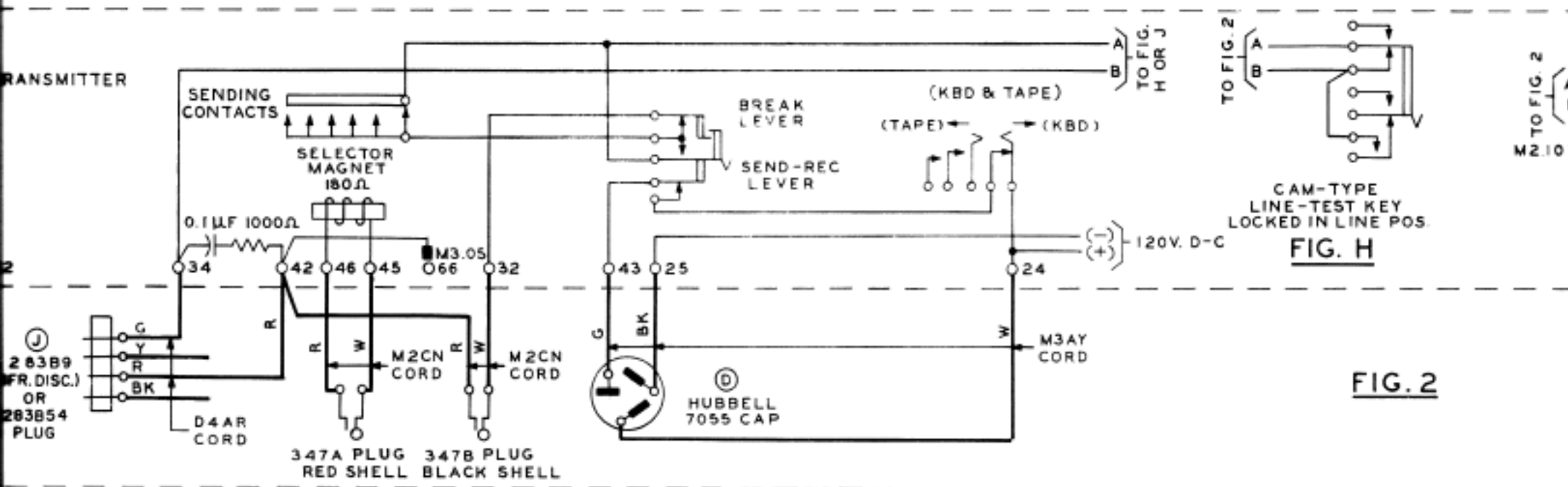


FIG. G





16 GA. 2 CONDUCT.  
CORDAGE PER  
KS-15143

CONNECT INTO  
A-C POWER  
ONLY ON  
SCRIBER'S  
WIRING

MOTOR	FUSETRON	
	TTY	TABLE
A-C SYNCH	T3.2	T8
A-C SERIES	T1.6	T6.2

TABLE A

PLANS USED	
M3.05	
M2.10*	

\* WHEN REQUIRED

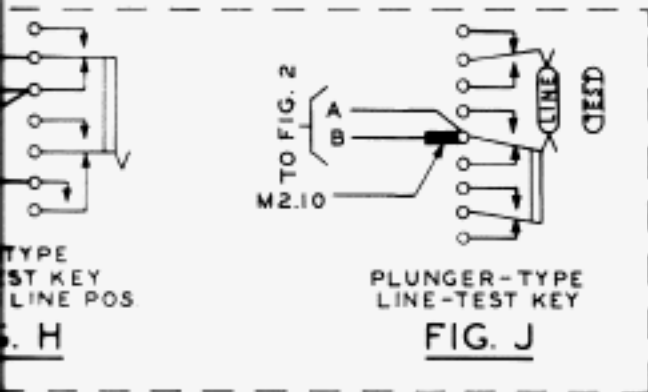
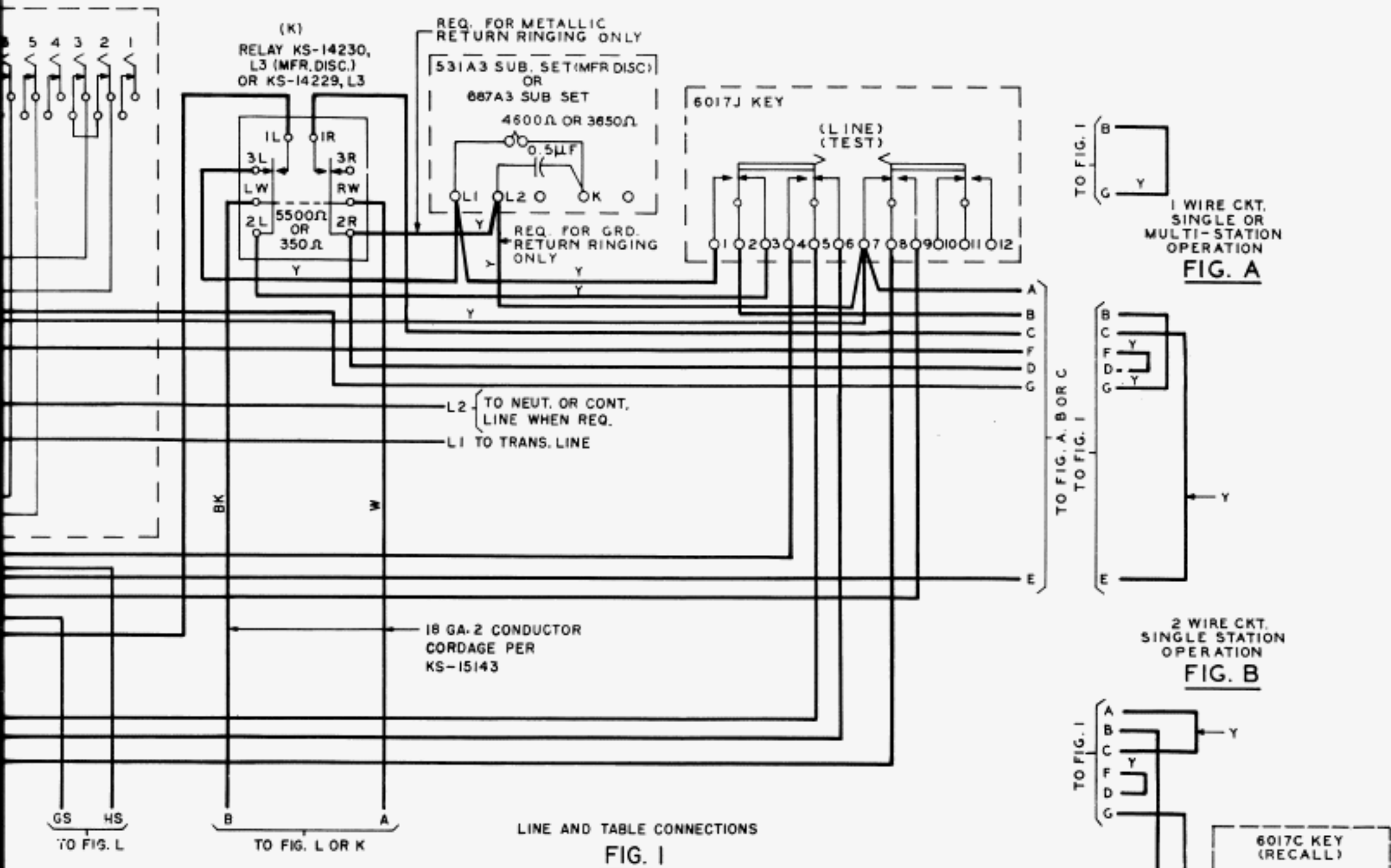


FIG. J

FIG. 2

NOTES:

1. ALL COLORED WIRES UNLESS OTHERWISE SPECIFIED ARE 22 GAUGE BROWN TYPE GS STATION WIRE, PER AT&TCo. SPEC. 7089.



LINE AND TABLE CONNECTIONS  
FIG. 1

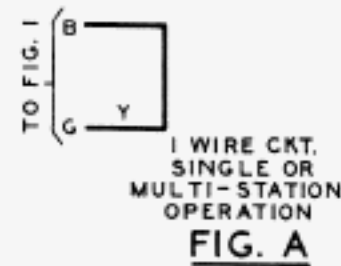
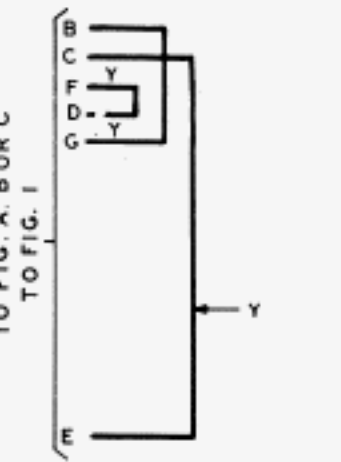
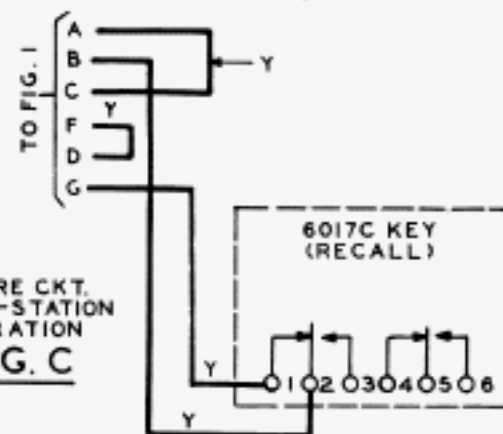


FIG. A



2 WIRE CKT.  
SINGLE STATION  
OPERATION  
FIG. B



2 WIRE CKT.  
MULTI-STATION  
OPERATION  
FIG. C

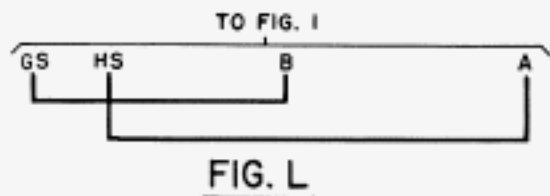


FIG. L

(MFR. DISC.)