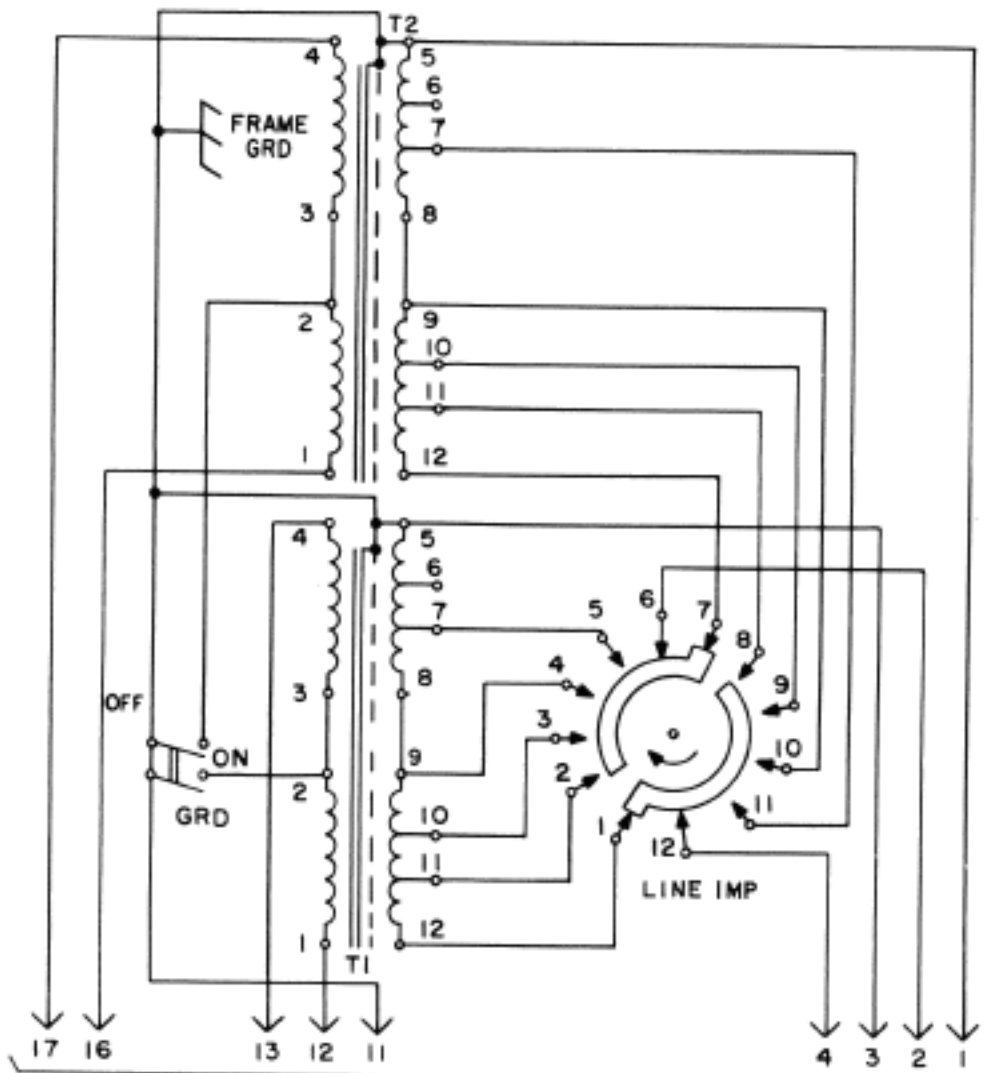


STATION IDENTIFICATION

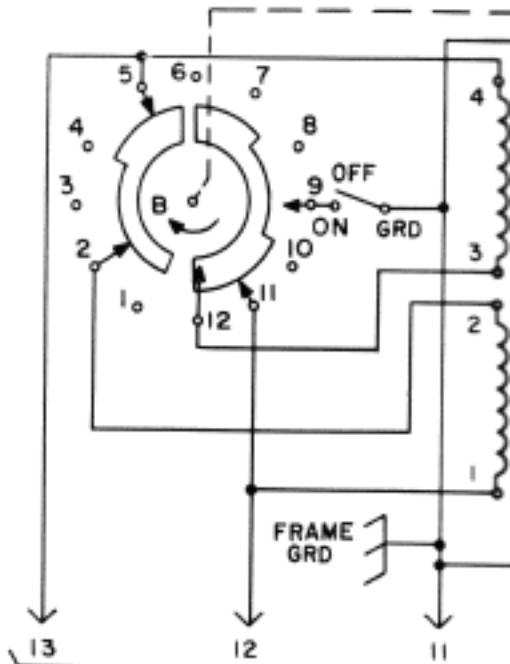


TO FIG. 1

**FIG. 4**

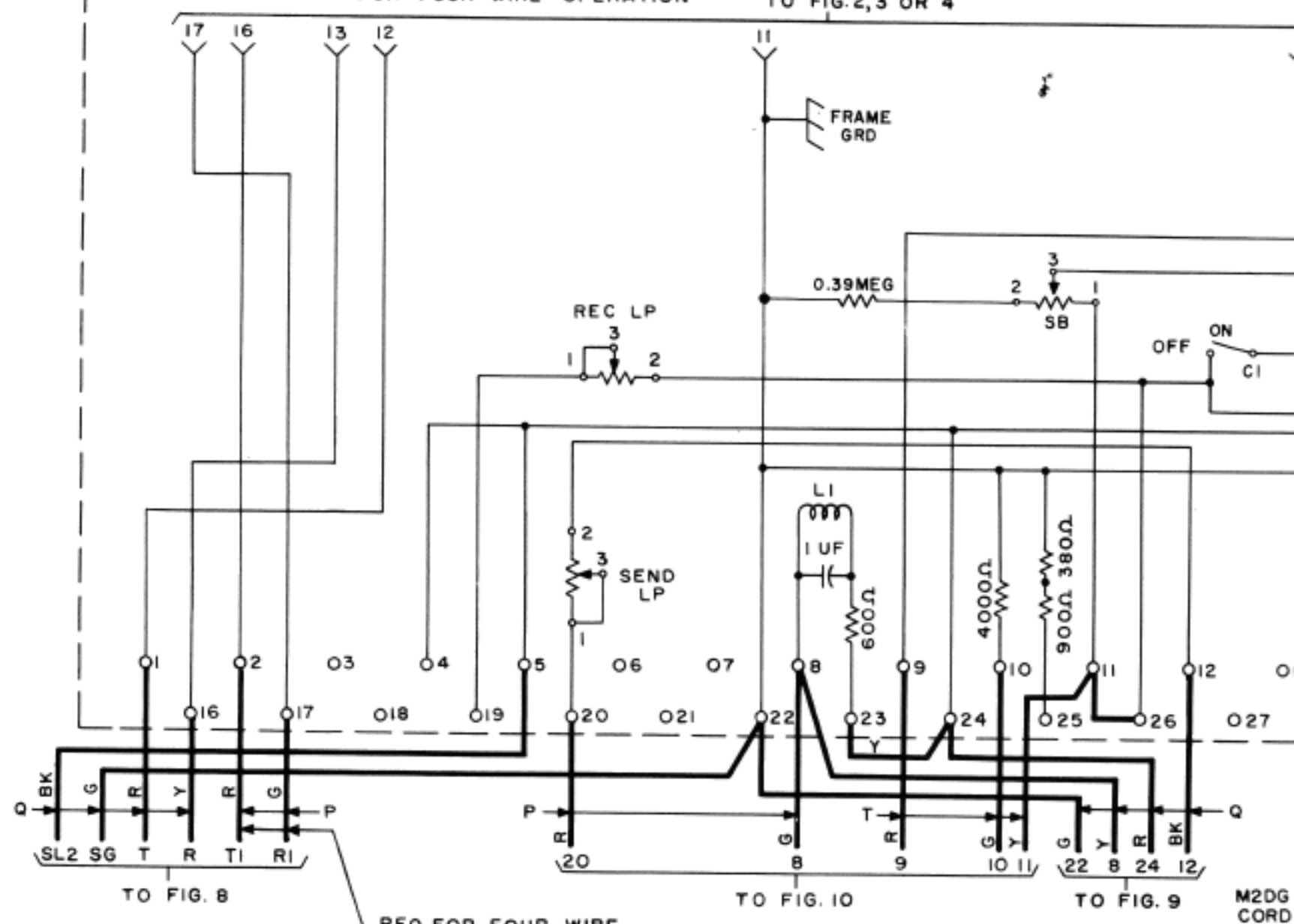
FOR FOUR WIRE OPERATION

TO FIG. 2, 3 OR 4



**FIG. 3**

FOR TWO WIRE OPER WITH HYBRID BALAN



REQ. FOR FOUR WIRE OPERATION ONLY

**FIG. 1**

HUBBELL  
7092  
CAP





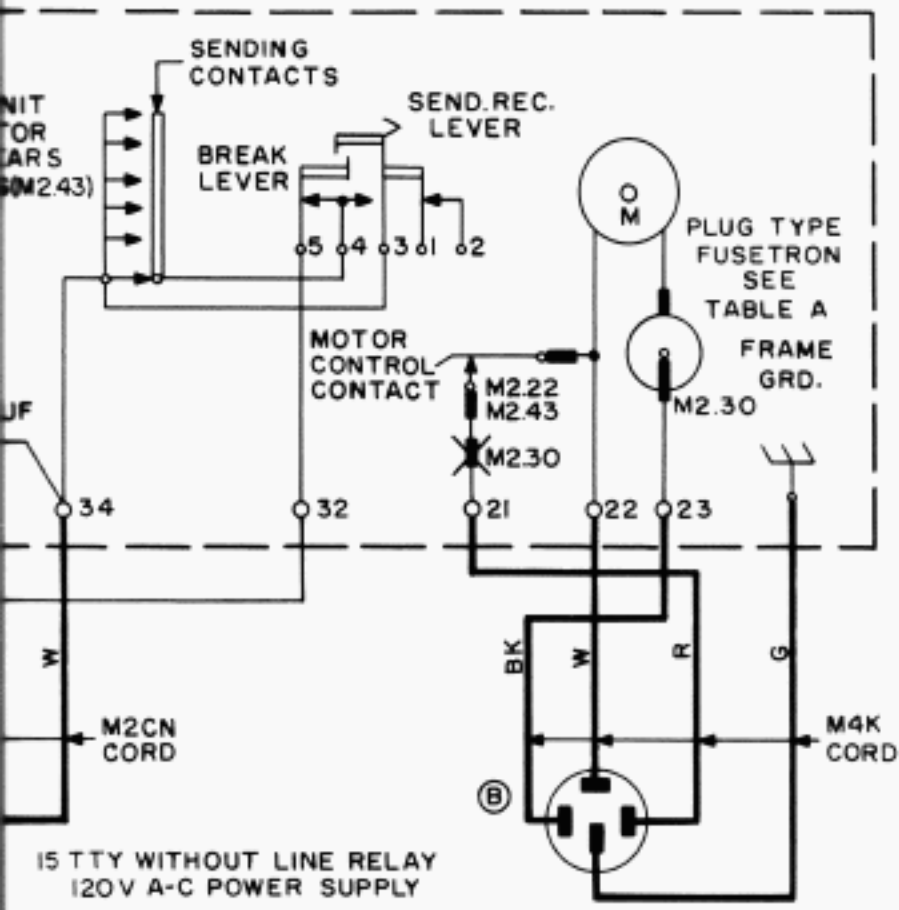


FIG. 7

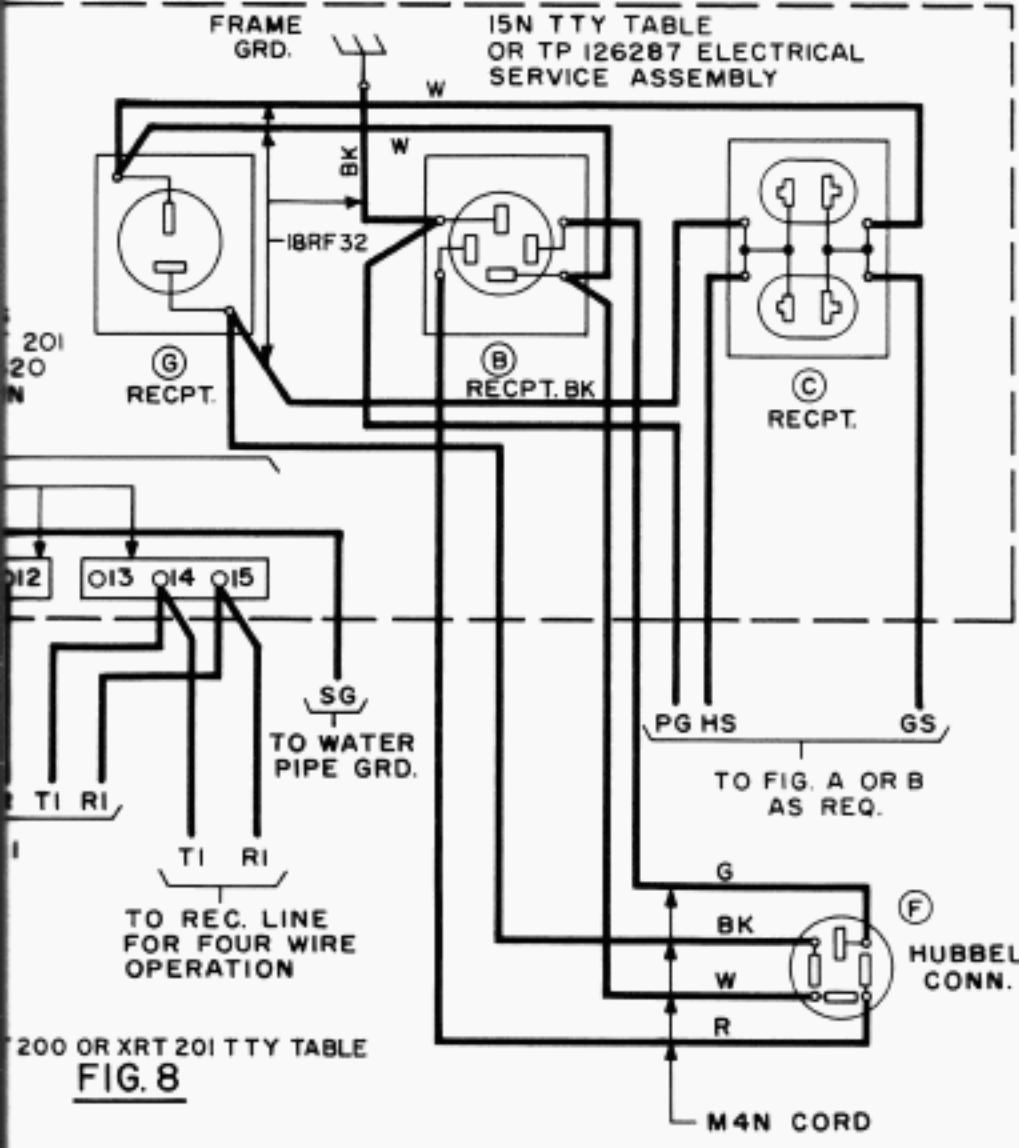


FIG. 8

KS-7993 L2 CORD (INCLUDES CAP), ALTERNATE: 18 GA 2 CONDUCT RUBBER COVERED CORDAGE PER KS-15143 & 5266 HUBBELL CAP  
PLUGS INTO 120V. A-C POWER SUPPLY ON SUBSCRIBER'S PREMISES

WITHOUT PROT. GRD.  
FIG. B

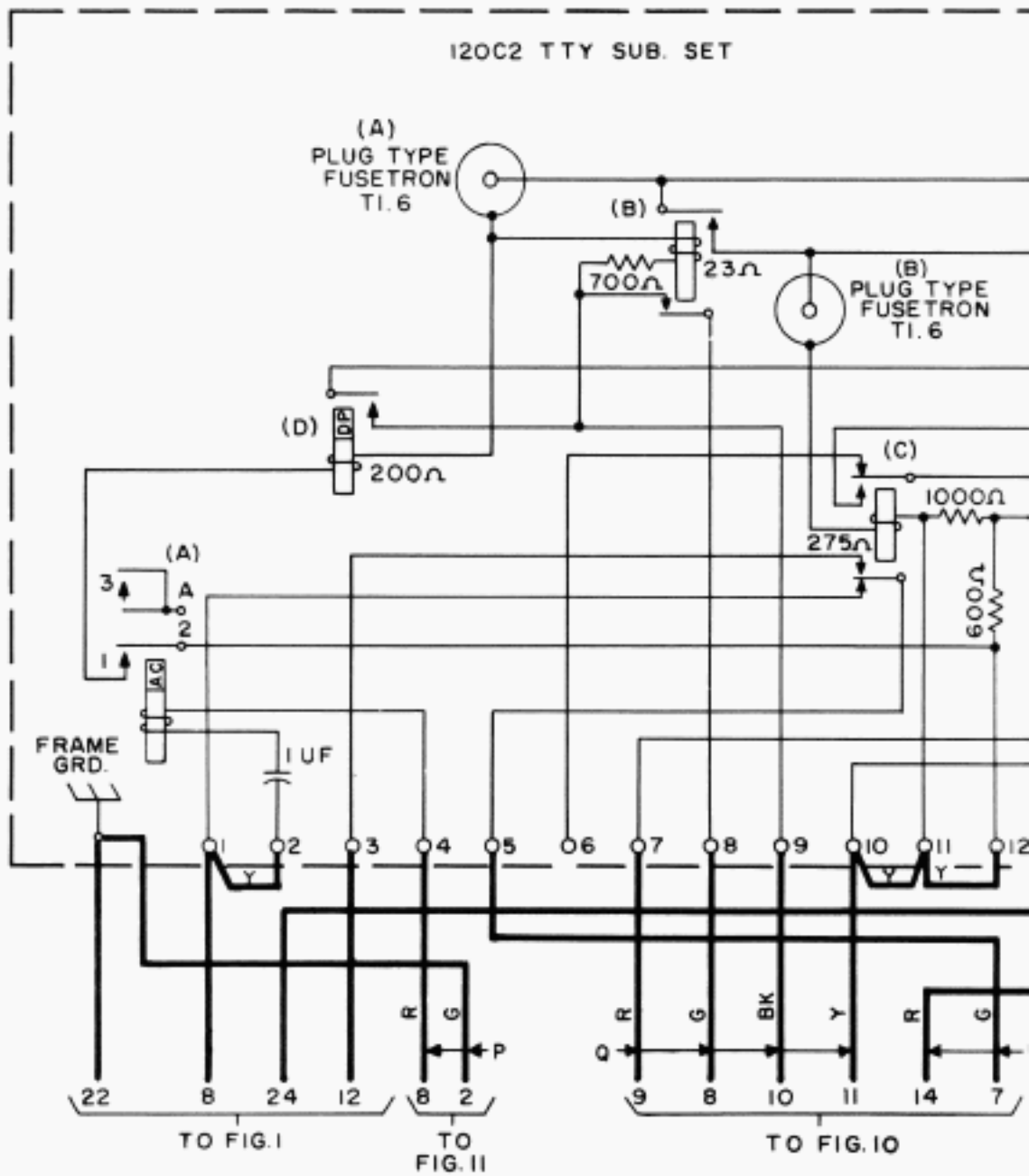


FIG. 9

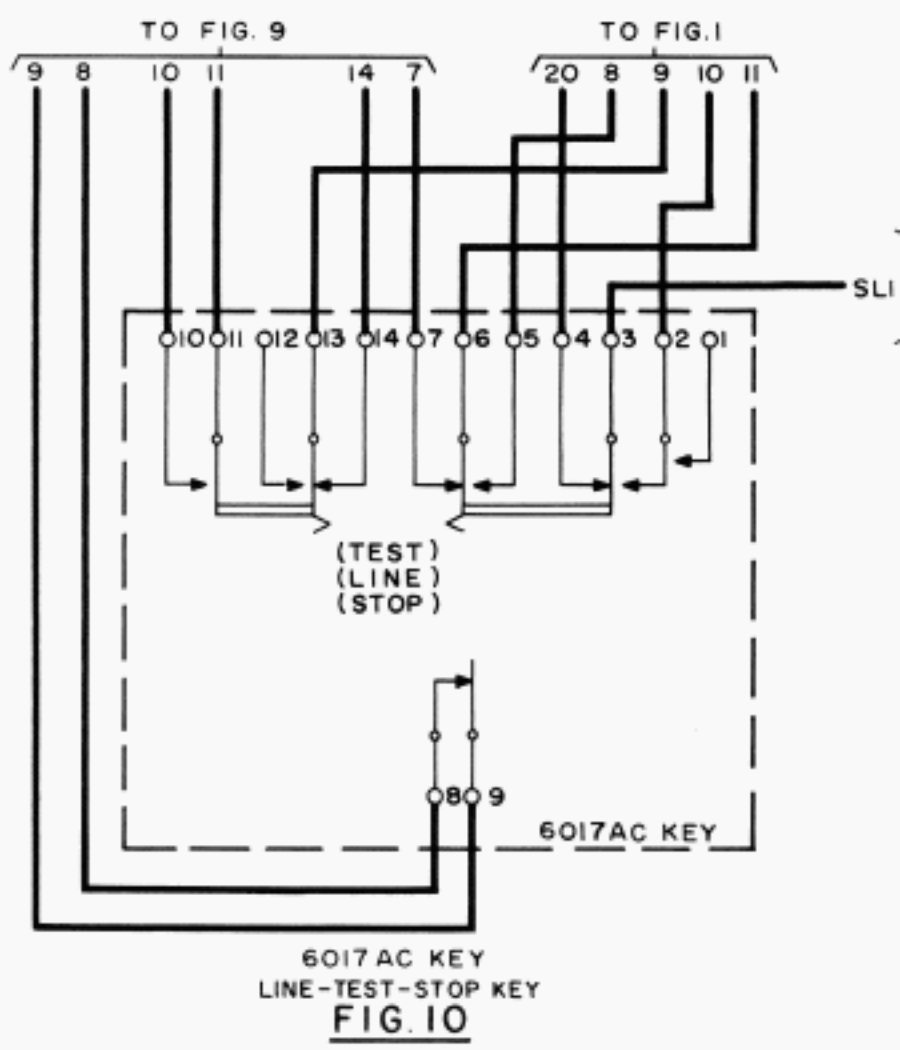
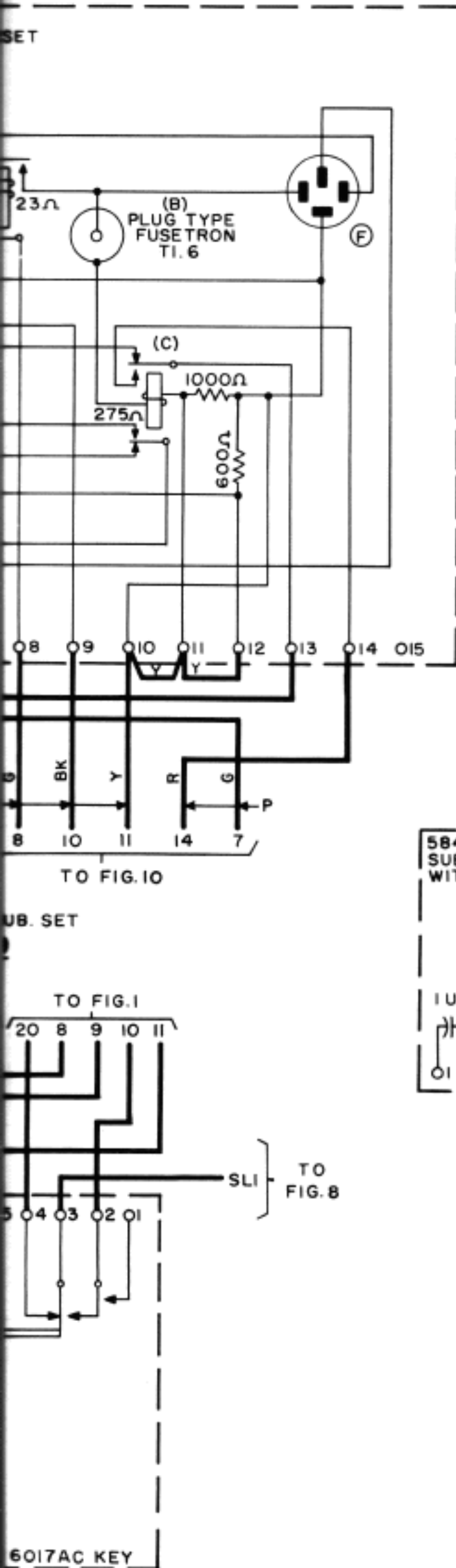


FIG. 10



NOTES:

1. UNLESS OTHERWISE SPECIFIED ALL COLORED LEADS SHALL BE 22 GA. BROWN, TYPE GS STATION WIRE PER AT & T CO. SPEC. 7089.
2. ADJUSTMENT OF THESE REACTANCES IS DESCRIBED IN THE BSP.

MOTOR	FUSETRON
A-C SYNC	T 3.2
A-C SER.	T 1.6

TABLE A

"M" PLANS USED	
M2.21	M2.30
M2.22	
	M2.43

TABLE B

