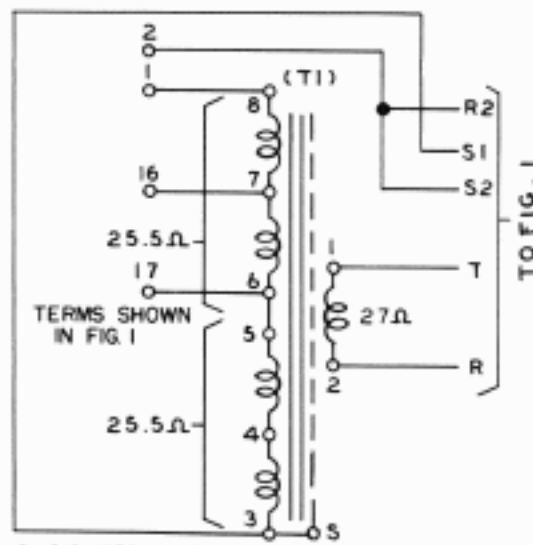


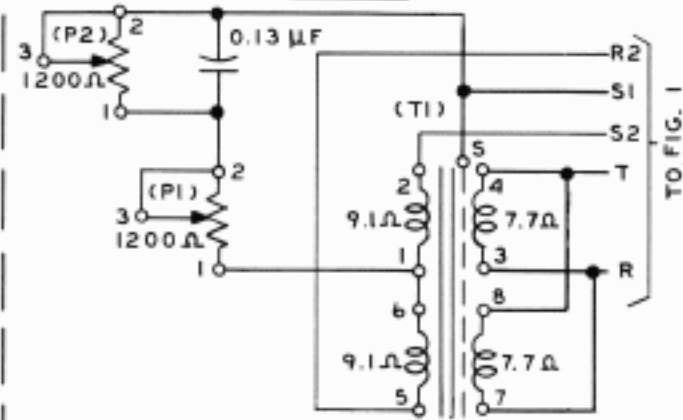
STATION IDENTIFICATION

130BITTY SUB. SET



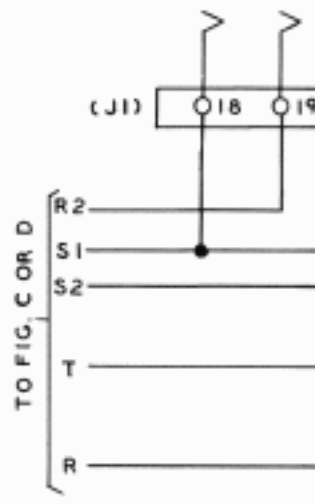
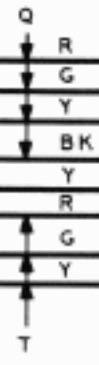
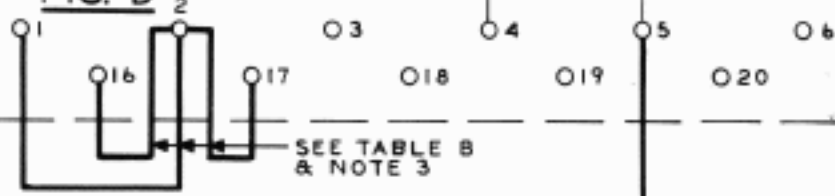
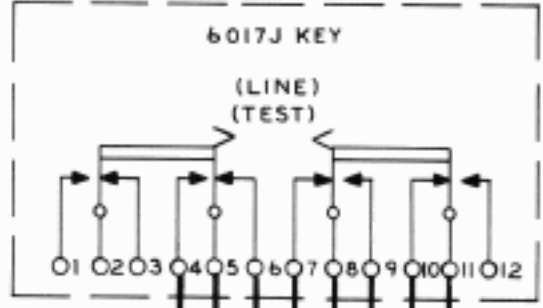
FOR ALL CHAN. TERMS. EXCEPT THAT USING MID-BAND FREQS. OF 4360 AND 4580 CPS.

FIG. C

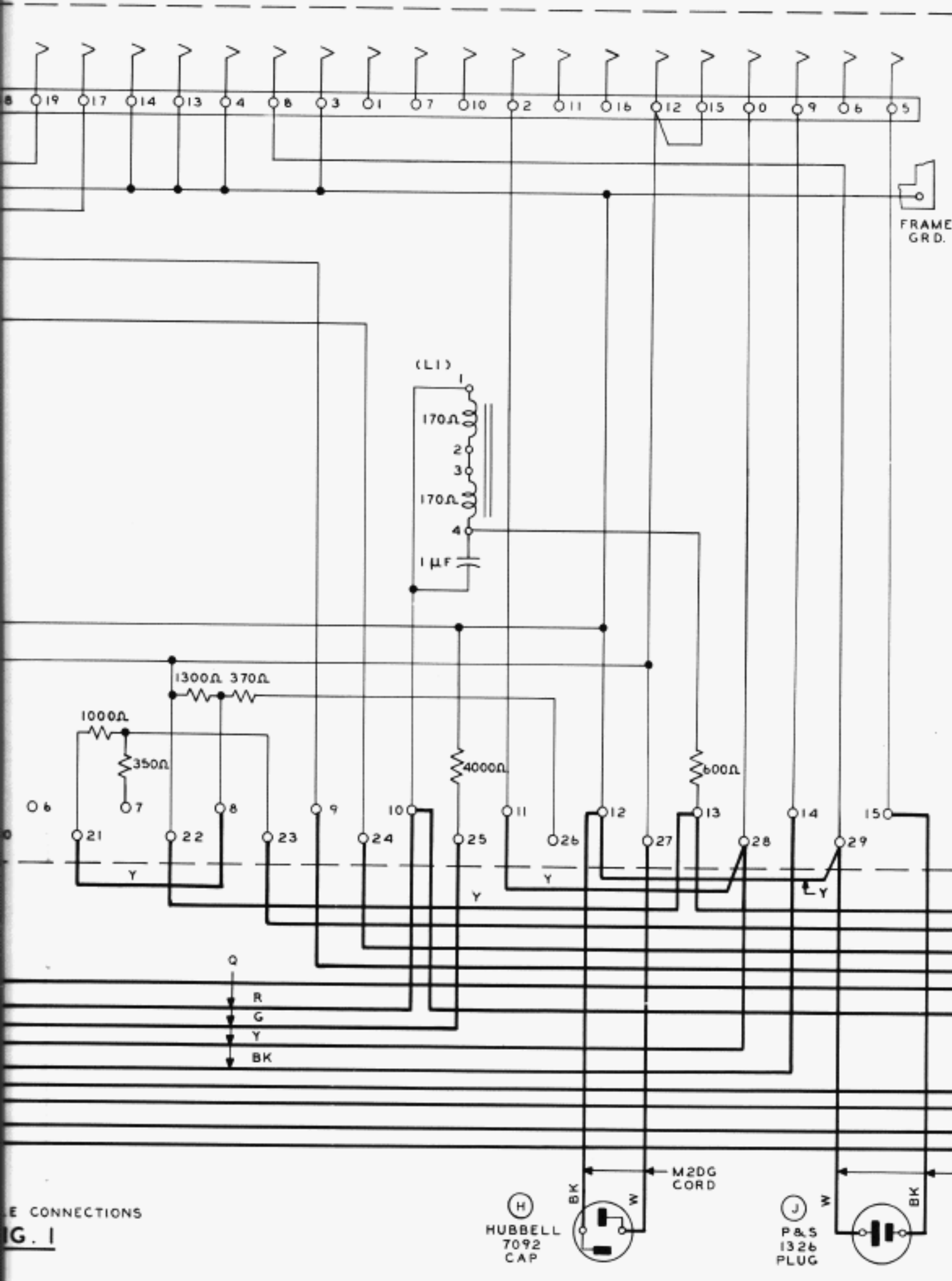


FOR CHAN. TERMS. USING MID-BAND FREQS. OF 4360 AND 4580 CPS.

FIG. D

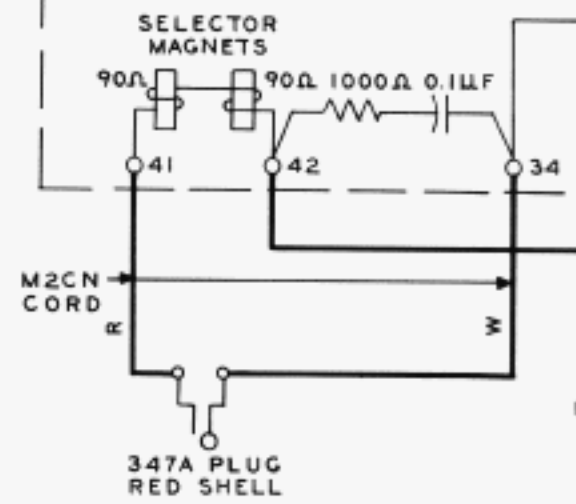


LINE & TABLE COM
FIG. I

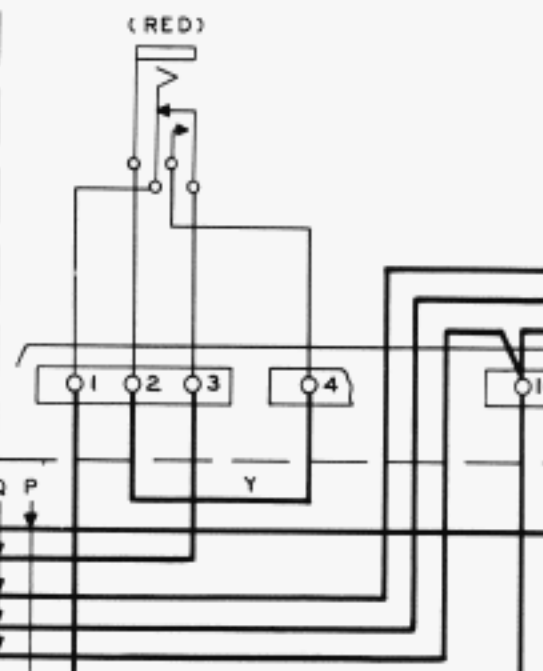


15 TTY CONSISTING OF:
 15C BASE
 15E KEYBOARD
 15Y OR 15AA TYPING UNIT
 15D, 15J, 15L OR 15M MOTOR UNIT
 15A OR 15C SET OF GEARS

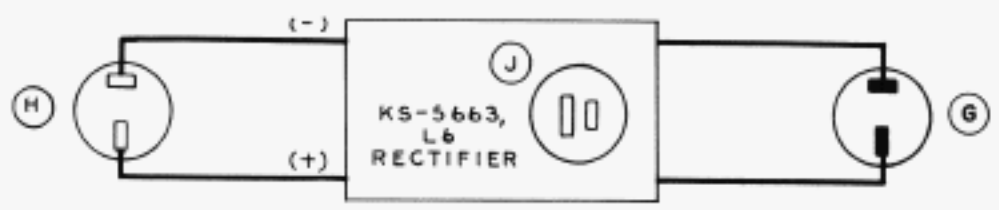
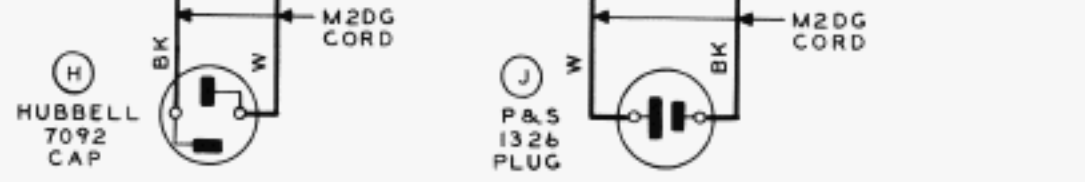
SENDING CONTACTS



15N TTY TABLE



WIRE CONNECTIONS
 FIG. 1



130V. RECTIFIER
 FIG. 3

TO WATERPIPE GROUND

CONSISTING OF:
BASE
KEYBOARD
OR 15AA TYPING UNIT
15J, 15L OR 15M MOTOR UNIT
OR 15C SET OF GEARS

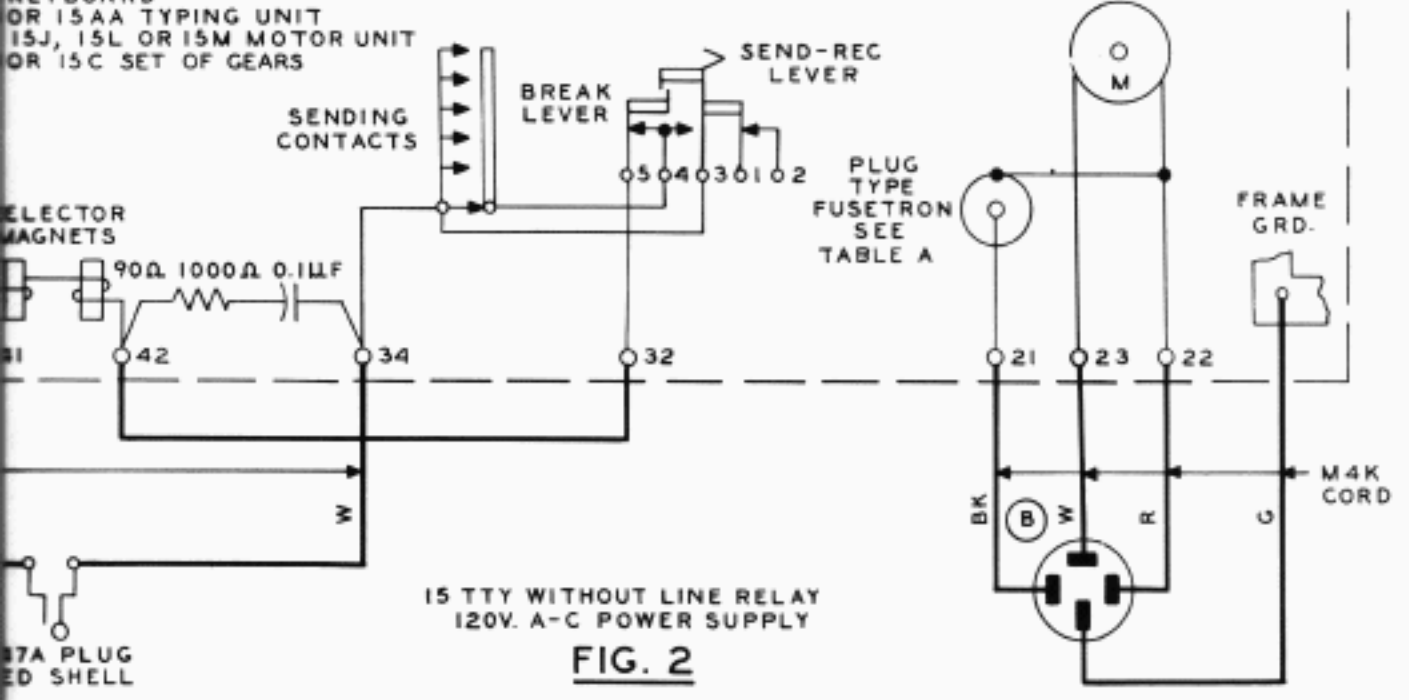
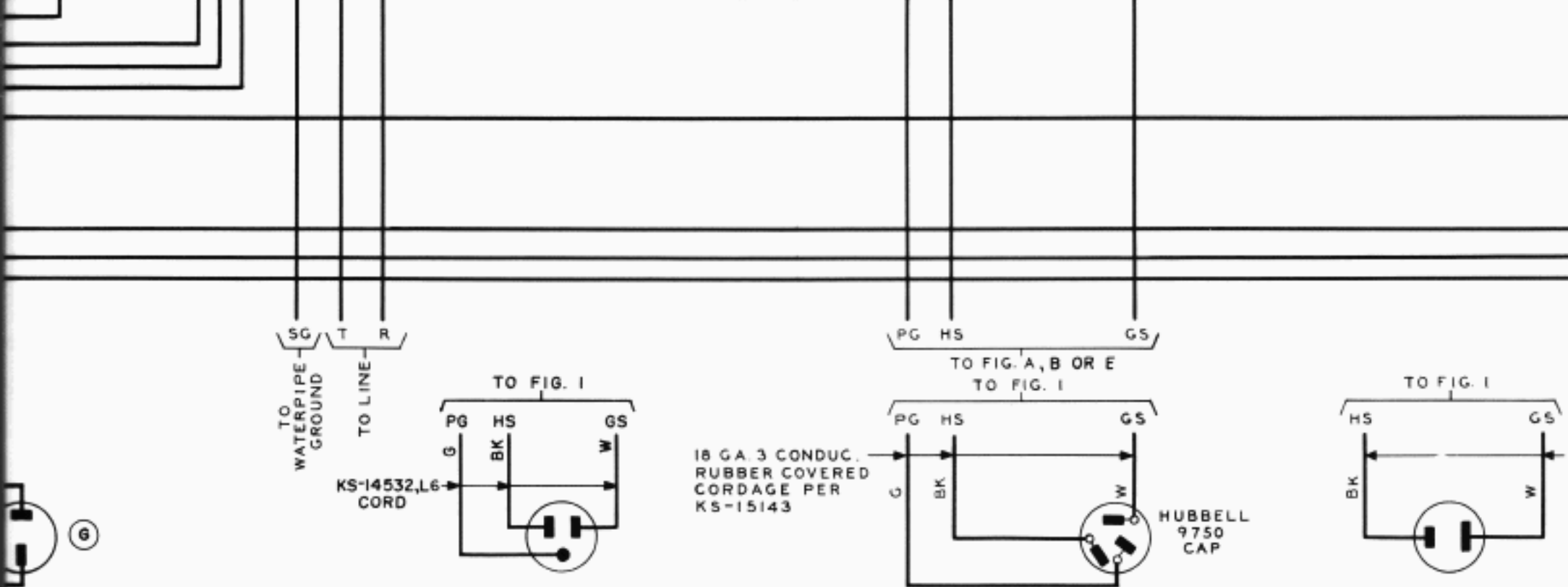
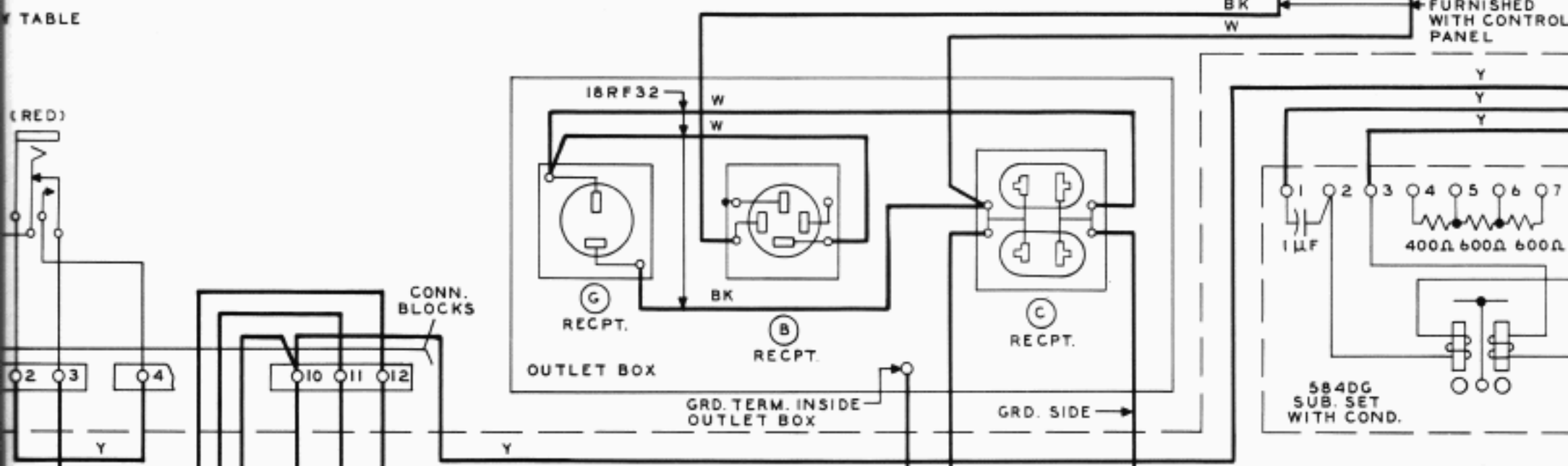


FIG. 2



WITH PROT. GRD. CONN.
FIG. E

WITH PROT. GRD. CONN.
FIG. B (MFR DISC)

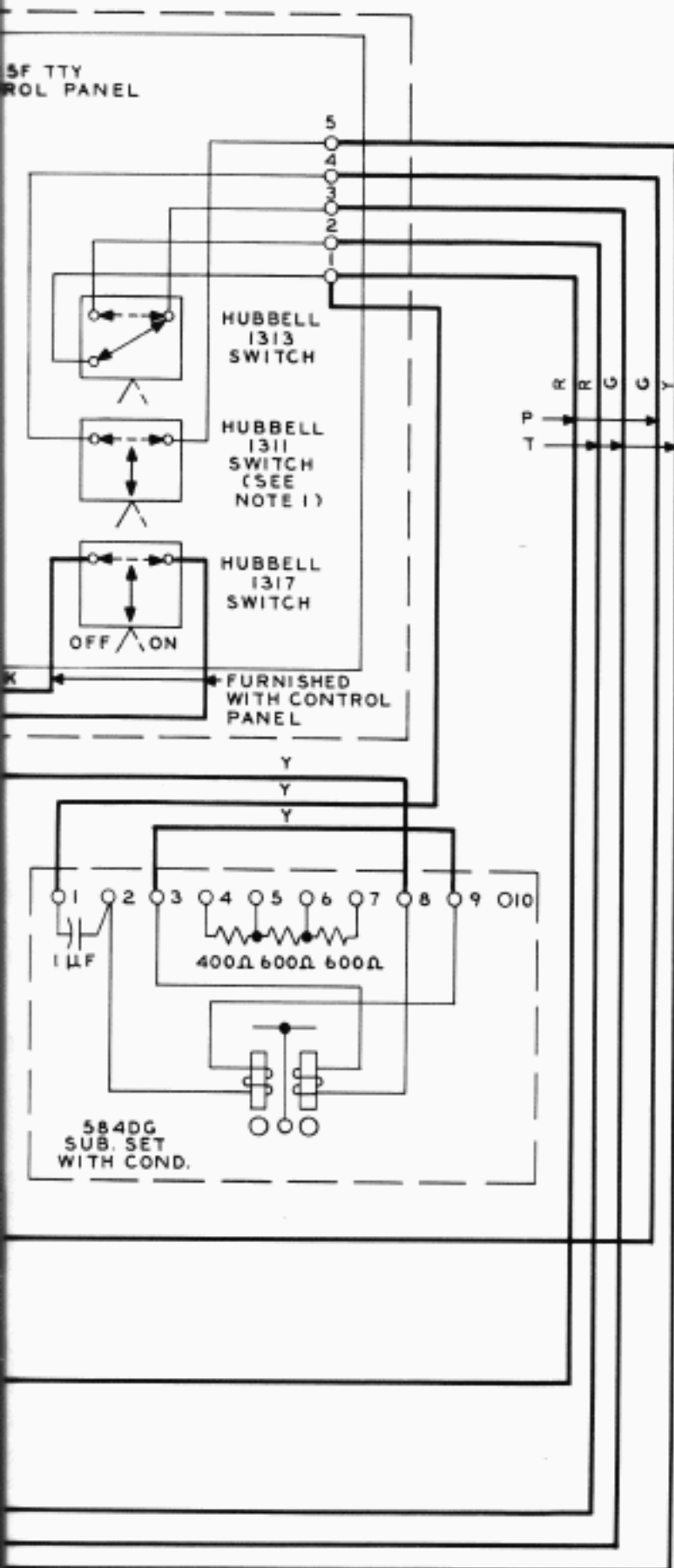
WITHOUT PROT. GRD. CONN.
FIG. A

MOTOR	FUSETRON
A-C SYNCH	T3.2
A-C SER	T1.6

TABLE A

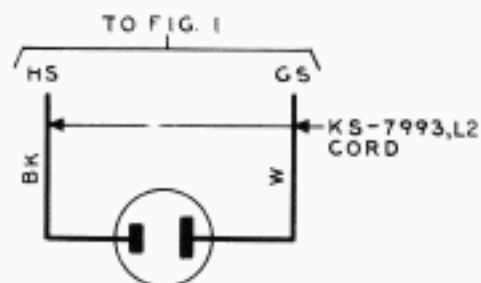
LINE IMPEDANCE	STRAP TERMS.
0-400Ω	1 & 2
400-800Ω	2 & 16
OVER 800Ω	2 & 17

SEE NOTE 3
TABLE B



NOTES:

1. REVERSE 1311 SWITCH IN MTG. STRAP SO THAT SWITCH WILL BE CLOSED WHEN THE 1317 SWITCH IS IN THE "ON" POSITION.
2. ALL COLORED WIRES UNLESS OTHERWISE SPECIFIED ARE 22 GAUGE TYPE G5 STATION WIRE, BROWN, PER AT&T CO SPEC. 7089.
3. OMIT STRAPS AT TERMINALS 1, 2, 16 & 17 OF 130B1 TTY SUB. SET WHEN FIG. D IS USED.



WITHOUT PROT. GRD. CONN.

FIG. A

TTY STATION WIRING
130B1 TTY SUB. SET
ATTENDED TWX SERVICE
15 TTY & 15N TABLE