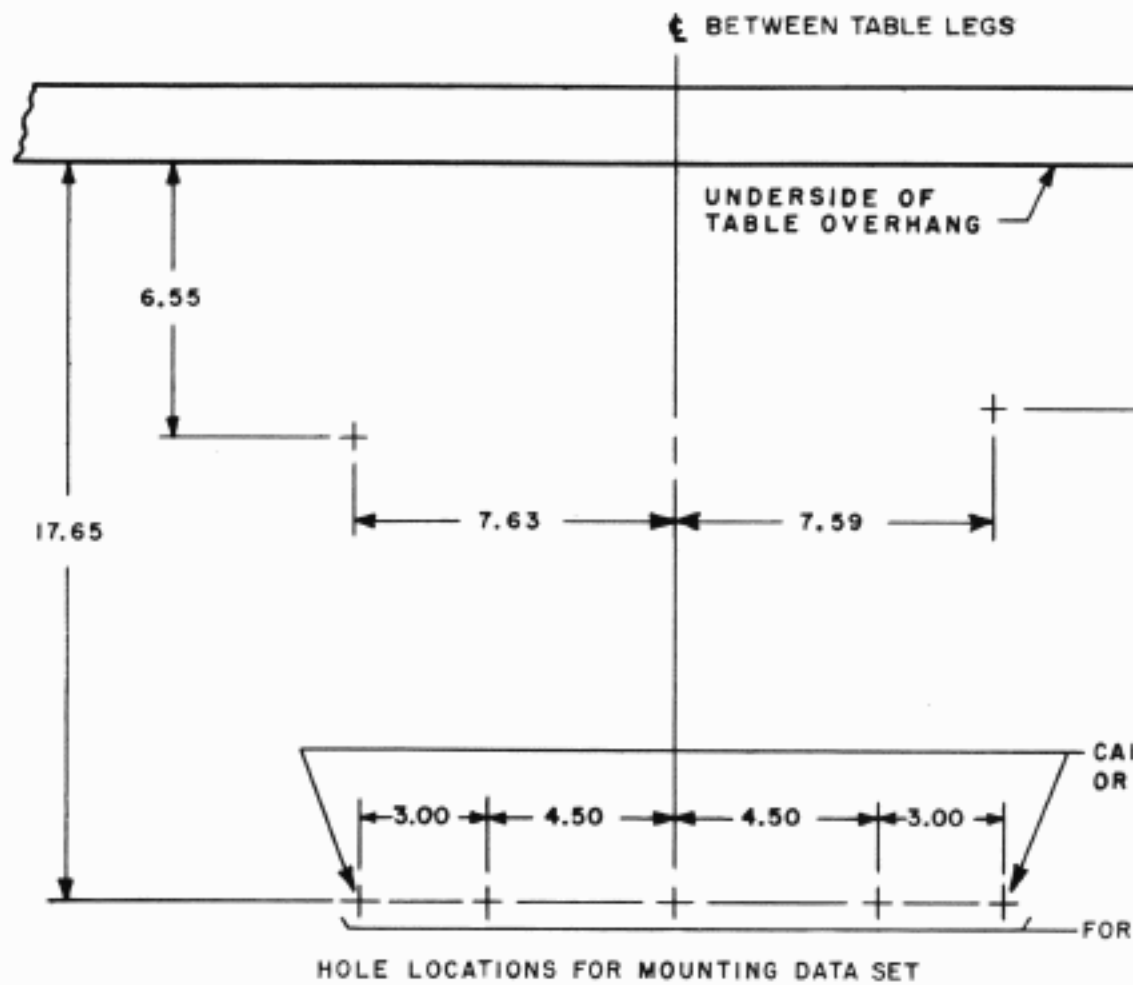
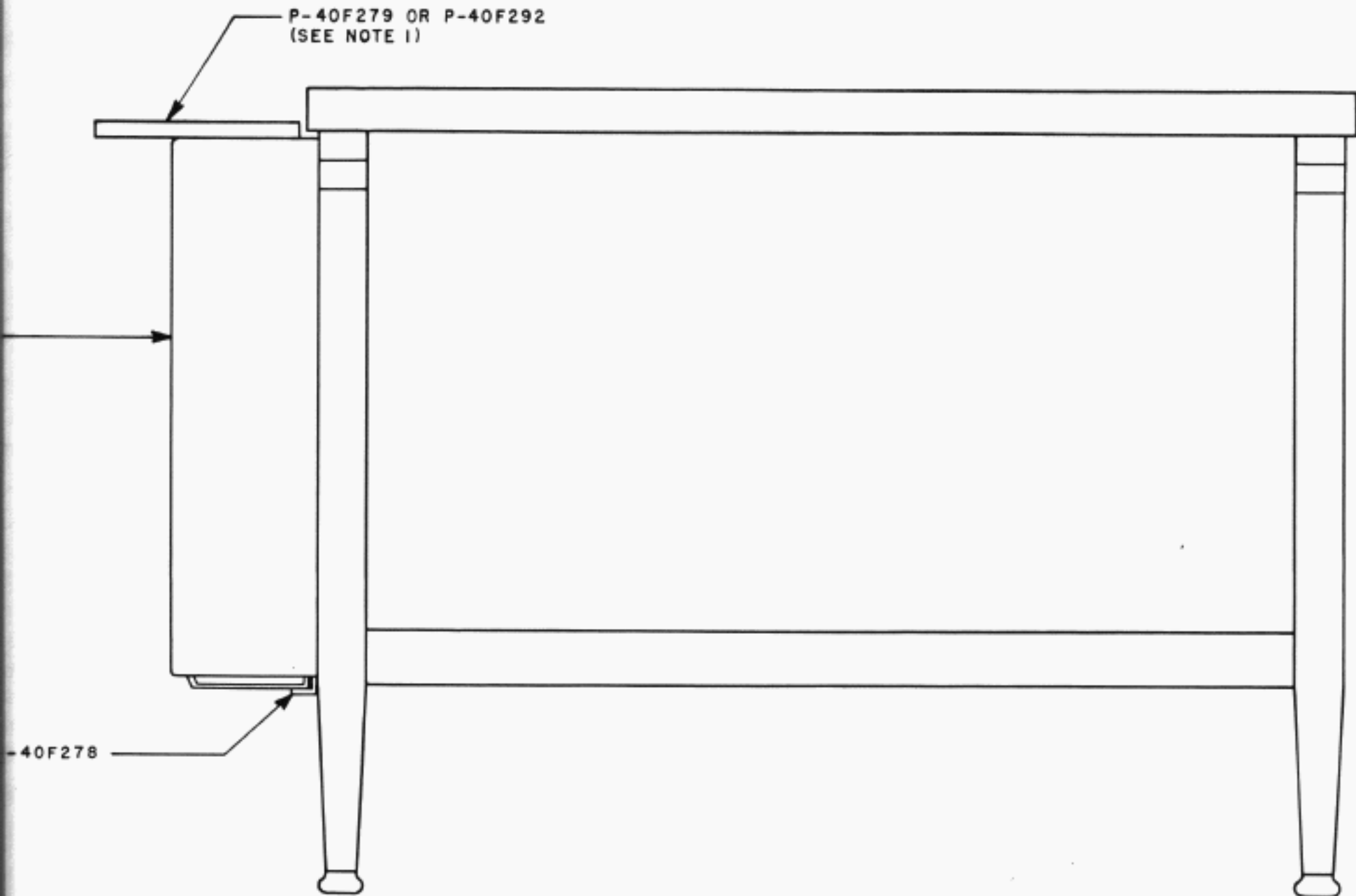


END VIEW





FRONT VIEW
(SUBSET NOT SHOWN)

NOTES:

1. L5 AND P-40F279 ARE FINISHED IN GRAY GREEN TEXTURED VINYL.
L7 AND P-40F292 ARE FINISHED IN DARK BROWN WRINKLE.
2. THE DATA SET MAY BE MOUNTED ON THE RIGHT OR LEFT
SIDE OF THE TABLE AS REQUIRED.
3. ALL DIMENSIONS ARE IN INCHES.

CAN BE USED OPTIONALLY IN ADDITION TO
OR IN PLACE OF THE OTHER 3 HOLES

FOR SUPPORT ANGLE, P-40F278