

American Telephone and Telegraph Company

BELL SYSTEM PRACTICES  
Teletypewriter Stations

SECTION P38.902  
Issue C, 4-1-56  
Long Lines Department  
Dist. Class. 416.1 AC

NO. 19 TYPE TELETYPEWRITER SET

EXTERNAL LINE-TEST KEY

1. GENERAL

1.01 This issue supersedes Issue B.

1.02 This section furnishes information for providing an external line-test key on 19 type teletypewriter sets together with the option of an indicator lamp to show when the key is in the LINE position.

1.03 This arrangement is used in lieu of the line-test key normally provided on the perforator-transmitter associated with the teletypewriter set. Neither the external key nor the indicator should be provided unless specified in the service order.

1.04 This section is reissued to add information on the indicator lamp and to change the code number of the Hubbell body and to make other minor changes.

1.05 The following equipment is required to provide this feature:

- 1 151-A-1 teletypewriter resistance unit
- 1 2-ABB key unit
- 1 6017 key box
- 1 Hubbell 7091 body or equivalent
- 1 P-356557 plunger (If L-T key is 92 type)
- 18 A.W.G. standard rubber covered wire as required
- 1 15F3 Indicator
- 1 2W Lamp
- 1 Jefferson Trivolt transformer No. 230-121

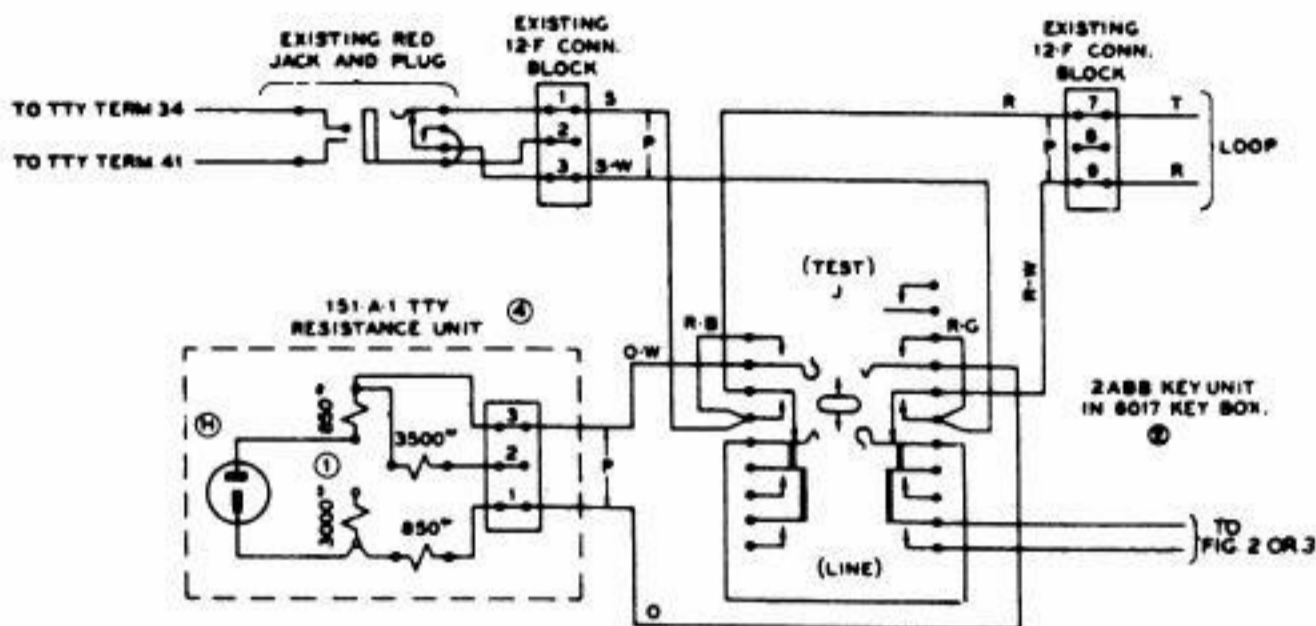
2. INSTALLATION

2.01 The wiring schematic of the circuit is shown in Figure 1 and the power connections thereto are indicated in Figures A and B. The indicator lamp option is shown in Figure 2.

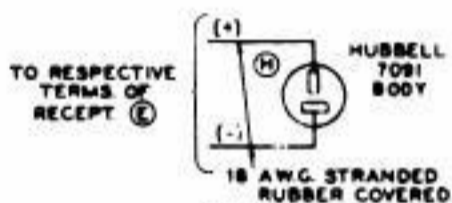
2.02 The line-test key of the perforator-transmitter shall be locked in the LINE position by using the P-356557 plunger where the 92 type key is involved or by using the locking lever provided therewith where the cam type key is involved.

2.03 The location of the control key will depend upon local conditions but a suggested arrangement is indicated in Figure C.

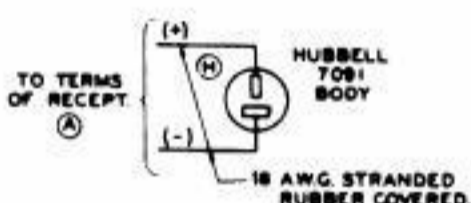
2.04 The above-mentioned sketches are taken from Drawing 20374-131.



- FIG. 1 -



- FIG. A -  
(A.C. INSTALLATION)



- FIG. B -  
(D.C. INSTALLATION)

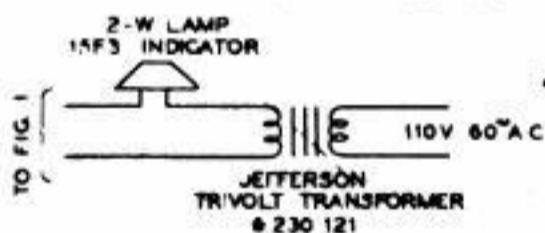
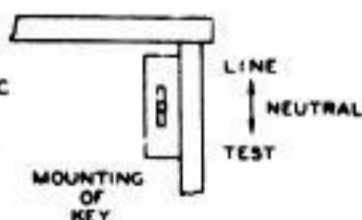


FIG 2.  
(PROVIDE WHEN SPECIFIED)



- FIG. C -

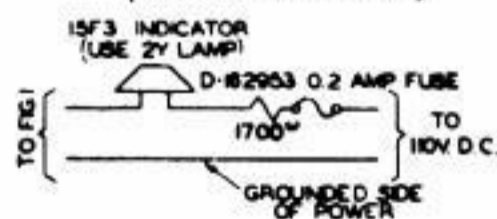


FIG 3.  
(PROVIDE WHEN SPECIFIED)

- NOTES -

- ① REMOVE STRAP BETWEEN 3000Ω AND 850Ω RESISTANCES
  - ② MOUNT UNIT IN KEY BOX.
  - ③ IF L-T KEY IS 92 TYPE, MODIFY BY ADDING PLUNGER.
  - ④ MOUNT IN CONVENIENT LOCATION IN BACK OF TABLE.
- ALL WIRING 22 DSCL OR 22 DAOL UNLESS OTHERWISE SPECIFIED.