

American Telephone and Telegraph Company

BELL SYSTEM PRACTICES
Teletypewriter and Manual
Telegraph Station and P.B.X.
Installation and Maintenance

SECTION P36.905
Issue B, 12-1-51
Long Lines Department
Dist. Class. 600AC

NO. 15 AND 19 TTY COVERS
INSTALLATION OF 14 AND 15 TYPE
COPY HOLDERS

1. GENERAL

1.00 This issue supersedes Issue A. This section is reissued to provide a substitute for the TP77778 filler which is no longer manufactured.

1.01 This section covers the procedure to be followed to provide both a 14-type and a 15-type copy holder simultaneously on a 15-type teletypewriter cover. This arrangement should be provided only when specified on a PLS Order.

1.02 The piece part numbers referred to in the following apply specifically to 14A and 15A copy holders and 15M covers (walnut). However, the same procedure applies to the same style copy holders of other finishes and to all the regular covers for 15 and 19 type teletypewriters. When other than 14A and 15A copy holders are used, reference should be made to the appropriate piece part numbers. These instructions do not apply to the 15-E copy holder.

2. MATERIAL

2.01 The following material will be required to provide the two walnut finishes copy holders on a 15M cover:

- 1 - 14A copy holder
- 1 - 15A copy holder

- 1 - TP77778 wooden filler or substitute per Fig. 2 (Not required if the 14A copy holder is the older style that included a TP77778 wooden filler in place of the TP94617 copy holder spacer. Note: The TP77778 filler is no longer manufactured.)

3. PROCEDURE

- 3.01 Remove the TP7364 message line guide, the TP87936 bracket and the TP87937 bracket and associated rod from the TP77775 copy holder.
- 3.02 Cut off 1-3/8 inches from the right-hand edge of the TP77775 copy holder and smooth off the newly cut edge.
- 3.03 Cut off 3/4 inches from the free end of the rod that is associated with the TP87937 rod and bracket combination of the message line guide.
- 3.04 Relocate the TP87936 and TP87937 bracket on the left-hand side of the TP77775 copy holder, as shown in Fig. 1, by using the brackets as templates and drilling holes to accommodate the TP1294 screws used in mounting the brackets.
- 3.05 Complete the mounting of all parts associated with the message line guide to the new left-hand location.
- 3.06 Remove the Bell System name plate associated with the cover if this name plate interferes with installation of the 14-type copy holder.
- 3.07 With the 15A copy holder mounted on the cover, drill and tap four new holes in the cover as shown in Fig. 1. The two new holes at the right should be drilled and tapped through the mounting plate of the 15A copy holder. The two new holes to the left will be in the cover only.

3.08 Install the modified 14A copy holder on the cover (using the tapped holes made in 3.07) over the mounting plate of the 15A copy holder by using the four TP1291 screws furnished with 14A copy holder, and the TP77778 wooden filler or substitute per Fig. 2. Discard the TP94617 copy holder spacer if the 14A copy holder was equipped with this part.

3.09 Paint the sawed edge of the TP77775 copy holder to match the other surfaces of the copy holder.

4. REFERENCE

4.01 Figures 1 and 2 are reproduced from Drawing S-9661-143.

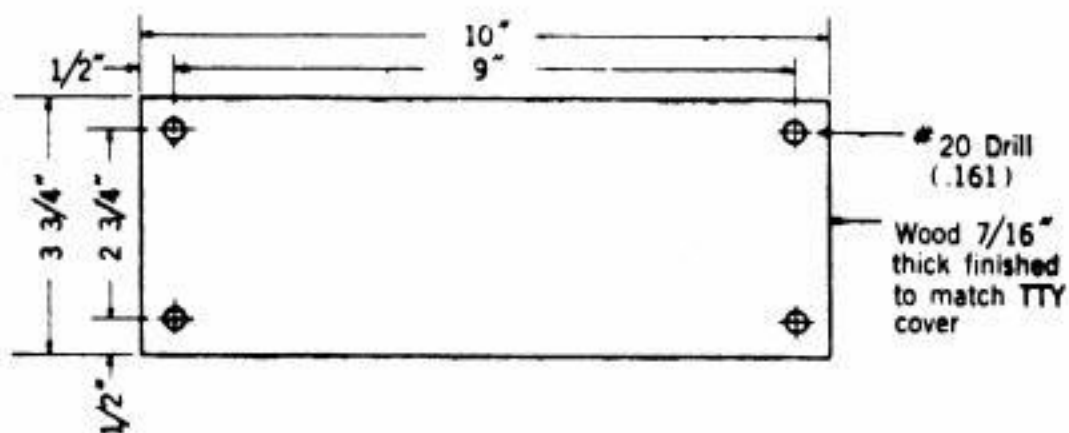


FIG. 2

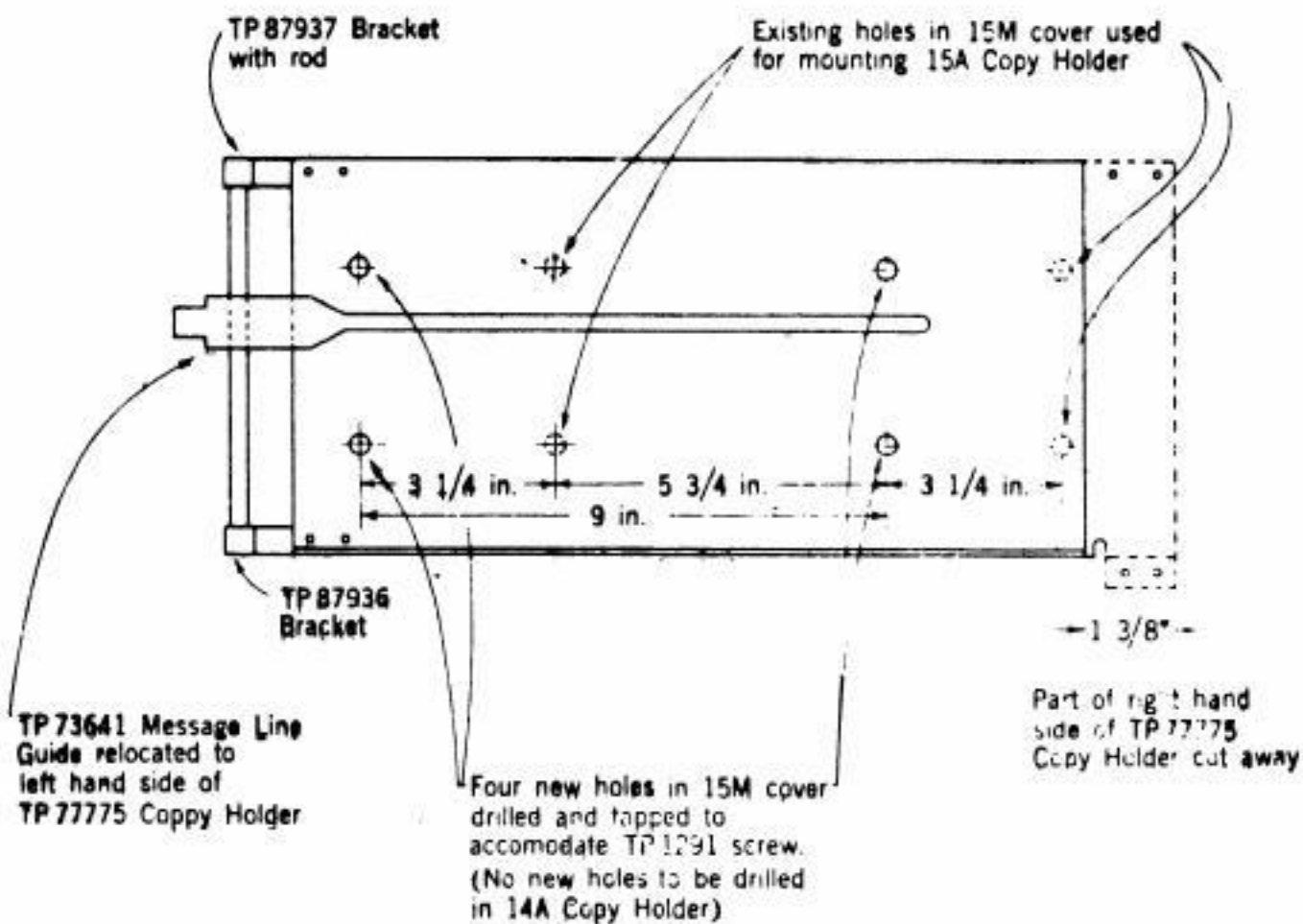


FIG. 1