

15 TELETYPEWRITER REMOTE SIGNAL BELL ON UPPER CASE S INSTALLATION

1. GENERAL

1.01 This section describes the installation of remote signal bell arrangements to operate on FIGS S to give a louder ring than the bell in the teletypewriter. The bell may be mounted near the teletypewriter or at some distance.

1.02 This section is reissued to:

- (1) Add the TP80956 set of parts to provide a separable connector.
- (2) Incorporate the latest information from the Teletype Corporation.
- (3) Add reference to the 15D base.
- (4) Remove the adjusting information, now given in Section P36.615.
- (5) Remove the lubrication information now contained in a new Addendum to Section P36.601.
- (6) Rearrange the material for easier reference.

Because of the extent of the changes, marginal arrows are not used.

1.03 Three sets of parts for installation on the teletypewriter are available as follows:

TP91159 with latch to give a continuous ring until the next character is received.

TP95088 without latch to give a single short ring.

TP80956 without latch but with separable connector instead of internal cabling.

The bell may operate directly from the commercial power supply or may be a low-voltage chime.

2. INSTALLATION OF MECHANICAL PARTS

2.01 The installation of the contact-operating mechanism is nearly the same for all 3 sets of parts. However, for the TP91159 set, the following requirement should be met before installation:

With the latch mounting screw in the end of the slot nearest the contact lever, push the contact lever downward against the bakelite extension on the upper contact spring until the contact lever is stopped by the contact lever latch. Under these conditions the lobe on the contact lever should be at least $1/16''$ from either edge of the bakelite extension.

2.02 Move the typebar carriage to its left position. Remove the typing unit from the base, and set it in an upright position. At the rear of the typing unit, remove the shoulder screw that connects the latch link to the latch bellcrank, and swing the top of the link to the rear and down against the bell-hammer lever.

Fig. 1

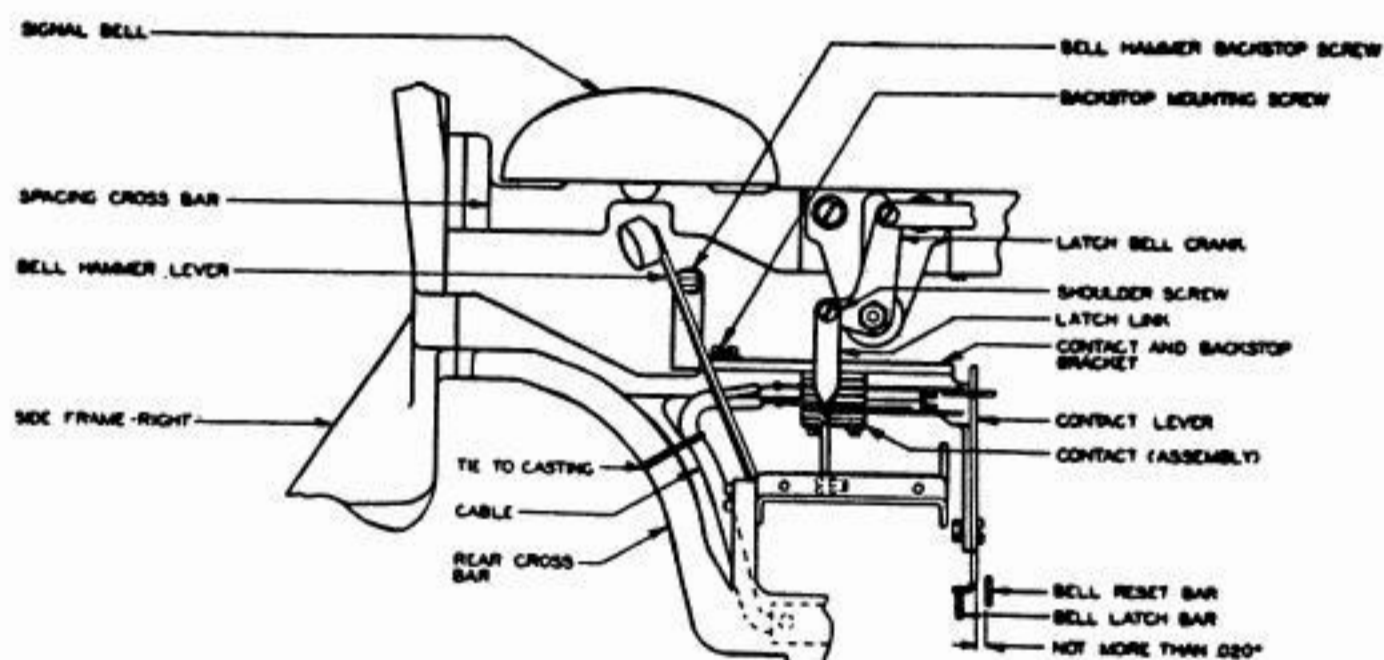


Fig. 1

2.03 Remove the two mounting screws that hold the bell-hammer backstop to the rear crossbar. Discard the backstop but retain the mounting screws, washers and lock washers.

2.04 For the TP80956 set of parts, at this point remove the TP125457 plug from the TP72425 cable. Pass the end of the cable to the right of the bell-hammer lever, through the opening directly under the spacing crossbar and over the right side frame, as shown in Fig. 2.

Fig. 2.

2.05 Mount the contact and backstop bracket to the rear crossbar, using the two screws, washers and lock washers previously removed, with the bent end of the contact lever resting on the bell latch bar. Position the bracket by means of its enlarged mounting holes so that there is some clearance, not more than .020", between the side of the contact lever and the side of the bell reset bar when the play in the contact lever is taken up to make this clearance a minimum. Tighten the backstop mounting screws. Mount the latch link to the latch bellcrank with the shoulder screw previously removed.

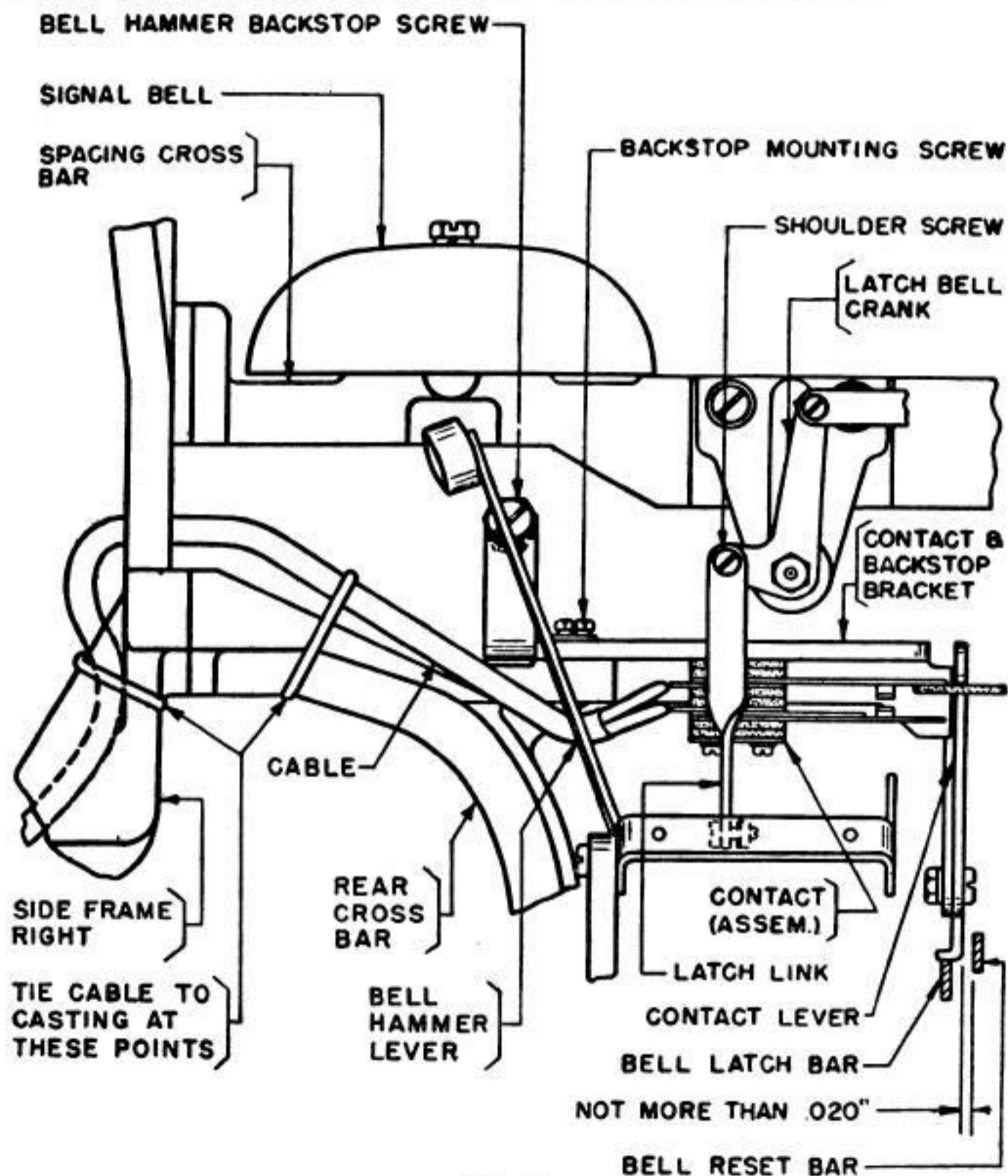


Fig. 2

15 TELETYPEWRITER
REMOTE SIGNAL BELL
ON UPPER CASE S
INSTALLATION

3. CONNECTIONS TO SIGNAL-BELL CONTACTS

A. Internal Cabling for the TP91159 and TP95088 Sets of Parts Typing Unit Cable TP95091

3.01 Designate the terminals of the new terminal block TP8884 as 109 to 112, terminal 109 being nearest the existing terminal block on the typing unit when the new block is installed. (The terminals on the existing terminal block are numbered 9 to 12.)

3.02 Run the typing unit cable from the contacts and solder the red wire to terminal 109 and the green wire to terminal 110 of the new block.

3.03 Mount the new terminal block on the typing unit adjacent to the existing terminal block with the TP74946 insulator under the block. Tie the cable to the rear crossbar as shown in Fig. 1.

Fig. 1

Base Cable TP95092

3.04 Remove the TP74568 terminal block from the base. Assemble the two TP7094 connection springs with the TP7095 spring plates in the positions on this terminal block corresponding to terminals 109 and 110 on the typing unit.

3.05 Solder the ends of the cable leads to the TP7094 connection springs just installed. Connect the red wire to terminal 109 and the green wire to terminal 110.

3.06 Replace the TP74568 terminal block.

3.07 Route the base cable through the left cable hole, along the path followed by the line and power cables and upward through the cable hole located just to the right of the motor pinion.

3.08 Connect the cable to the external connecting blocks of the base as follows: On 15C and 15D bases, connect the red wire to terminal 39 and the green wire to terminal 40. On 15A and 15B bases, run the wires to two terminals not in use. These will vary for various service conditions. Tie the new cable in place.

B. External Separable Plug Connections

3.09 If the teletypewriter, with the base, is to be moved without the necessity of unfastening screw connections, a receptacle may be provided to which the external connections are made by flexible cord, as shown in Fig. 3. Two arrangements, described below, are available for making connections between the bell contacts and the plug which goes into the receptacle.

Fig. 3

3.10 **Connections to Base Terminals:** If the bell contacts are wired through internal cables to the external connecting block as described in 3.08, the flexible cord leading to the plug should be connected to these terminals, as shown in Fig. 3.

Fig. 3

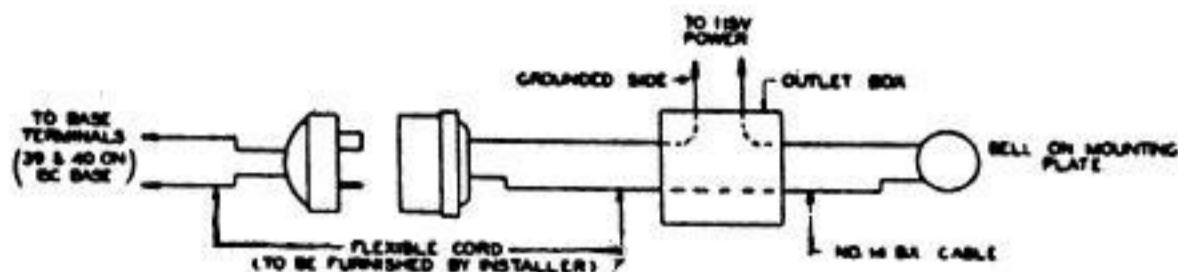


Fig. 3

3.11 **Connections Direct to Contacts:** With the TP80956 set of parts, complete the installation of the cable as follows:

1. Take the slack out of the TP72425 cable and tie it to the casting at the two points shown in Fig. 2, making sure that it does not touch the margin signal bell.
2. Replace the typing unit on the base.
3. Place the TP78430 cable clamp under the thumb screw that holds the rear foot of the right-side-frame to the base. Place the cable under the clamp so that it is held as close as possible to the side frame and then tighten the thumb screw.
4. Pass the cable along the top of the base in front of the terminal block and downward through the cable clamp along the inner side of the retaining rod or under the cord clamp.
5. Reconnect the plug.

Fig. 2

4. REMOTE BELL ARRANGEMENTS

<u>Teletypewriter Power Supply 115 Volts</u>	<u>Use Bell</u>	<u>Power to Ring Bell</u>	<u>Wiring</u>
1. Bell operated directly from power supply			
60 Cycles	TP80564	Same as	Power wiring
25 "	TP82363	power	" "
DC	TP80565	supply	" "
2. Low-voltage chime			
60 Cycles	KS-5594 List 5	*Transformer TP95089	Signal wiring
25 Cycles or DC	KS-5594 List 9	Dry Batteries 20-28 Volts	Signal wiring

*The primary of the transformer should be connected to the power supply in such a way that when the teletypewriter is turned off, the transformer will be disconnected. The secondary should be wired in series with the chime and the terminals on the base to which the contacts are wired. The tap to be used on the transformer should be that which gives reliable operation of the chime.

5. LUBRICATION

5.01 Lubricate the mechanism in accordance with the instructions in Section P36.601.

6. ADJUSTMENTS

6.01 Adjust the mechanism in accordance with the instructions in Section P36.615.