

BELL SYSTEM PRACTICES
Teletypewriter and Manual
Telegraph Station and P.B.X.
Installation and Maintenance

SECTION P36.465
Issue 1, August, 1935
AT&T Co. Standard

INSTALLATION OF 89069 (M) SET OF PARTS ON 15 TYPE PERFORATOR TRANSMITTERS

1. GENERAL

1.01 This section furnishes information for the installation of the 89069 (M) set of Parts for 15-type Perforator Transmitters, the purpose of these parts being to lighten the key touch when perforating tape. This is accomplished by providing an arrangement to hold the universal bar depressed when the tape-keyboard key is thrown to the tape position.

1.02 Units in the field may require this modification; new perforator units supplied from the factory, however, will be furnished with the parts in place.

2. PROCEDURE

2.01 Remove the 1160 (M) screw which pivots the 83346 (M) tape-keyboard operating lever. Discard the screw and the 83347 (M) bushing but retain the 78596 (M) spring washer and the 2191 (M) lockwasher.

2.02 Remove and discard the 1224 (M) stop screw and the 3598 (M) nut from the tape-keyboard operating lever.

2.03 Referring to Fig. 1 mount the 89073 (M) tape-keyboard key extension furnished with the parts on the 83346 (M) tape-keyboard operating lever using the hole which mounted the stop screw so that the free end of the extension will bear on the trip-off pawl just to the rear of the trip-off pawl spring. Use the 80444 (M) screw and 2191 (M) lockwasher furnished to mount the extension.

2.04 Mount the 89070 (M) cutout lever furnished with the parts, on the tape-keyboard operating lever pivot to the right of the operating lever, using the 89071 (M) bushing, 7002 (M) washer and 1026 (M) screw furnished, and the

previously removed 78596 (M) spring washer and 2191 (M) lockwasher.

2.05 Mount the 89074 (M) eccentric stud in the hole at the bend of the 89070 (M) cutout lever with the head of the stud to the left of the lever. Secure the stud with the 2191 (M) lockwasher and the 34-8 (M) nut furnished.

2.06 With the 33-11 (M) screw and the 200-153 (M) lockwasher furnished, secure the 89072 (M) spring furnished in the left rear hole of the 83345 (M) bracket so that the spring exerts a tension upward against the universal bar cutout lever.

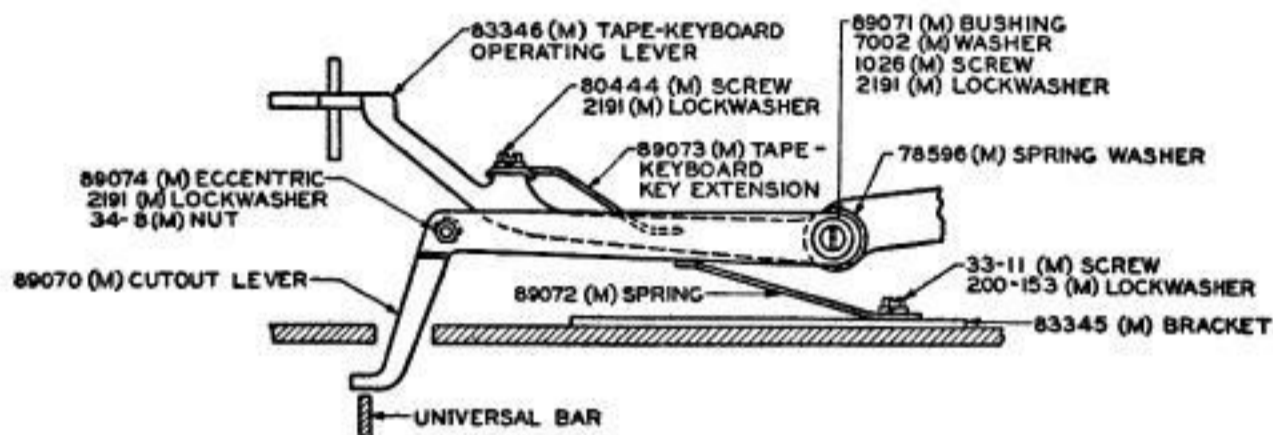


Fig. 1