

BELL SYSTEM PRACTICES
Teletypewriter and Manual Telegraph
Station and P.B.X. Installation
and Maintenance

SECTION P36.110
Issue 1, October, 1941
AT&T Co Standard

AUXILIARY FORM PAPER BOXES

TO BE ASSOCIATED WITH 15A PAPER BOXES

1. GENERAL

1.01 In some teletypewriter services where forms are used on sprocket feed machines the customer desires to have available at the machine a supply of two different styles of forms which are manually changed in the teletypewriter. The 15A paper box is a steel box mounted on the rear of the 15-type table. It is designed to hold a package of forms in position for feeding into the teletypewriter. This section describes an auxiliary box mounted on top of the 15A box which may be used to hold a package of forms of a different style or number of copies than in the 15A box. It has a capacity of about one-third the number of forms accommodated by the 15A box.

1.02 The arrangement of the auxiliary box is shown in detail in Fig. 1. It should be noted that five inches more space is required behind a teletypewriter using an auxiliary box. A suggested design for the box is shown in Fig. 2. The box may be made of No. 16 U.S.S. gauge sheet steel spot welded at the points indicated on the sketch or may be made of wood (1/2 inch), if desired, using the dimensions given as inside dimensions.

1.03 In order to hold the auxiliary box in place on the top of the No. 15A box a snap retainer is provided by drilling a 7/32" hole on each side of the angle on the bottom of the box as indicated. These holes engage the head of a 1/4" 8-32 R.H.M. screw mounted in a corresponding position on the 15A paper box.

1.04 The auxiliary box is not available as standard equipment, since it is expected there will be only very limited demand. The above details are furnished so that auxiliary boxes may be made up locally when required.

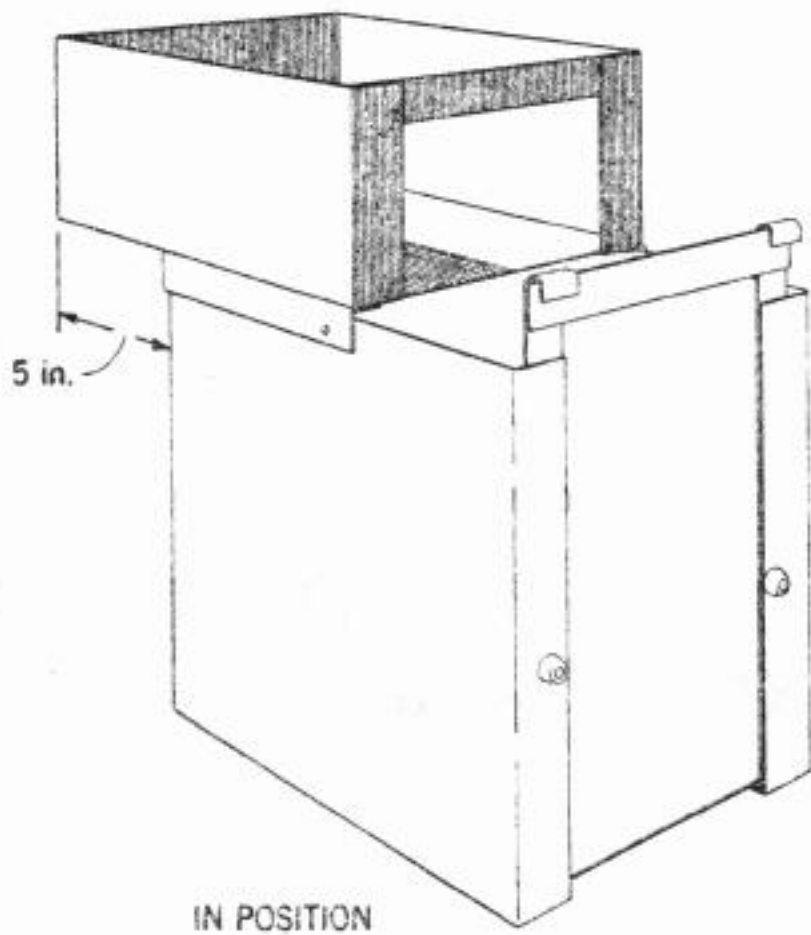
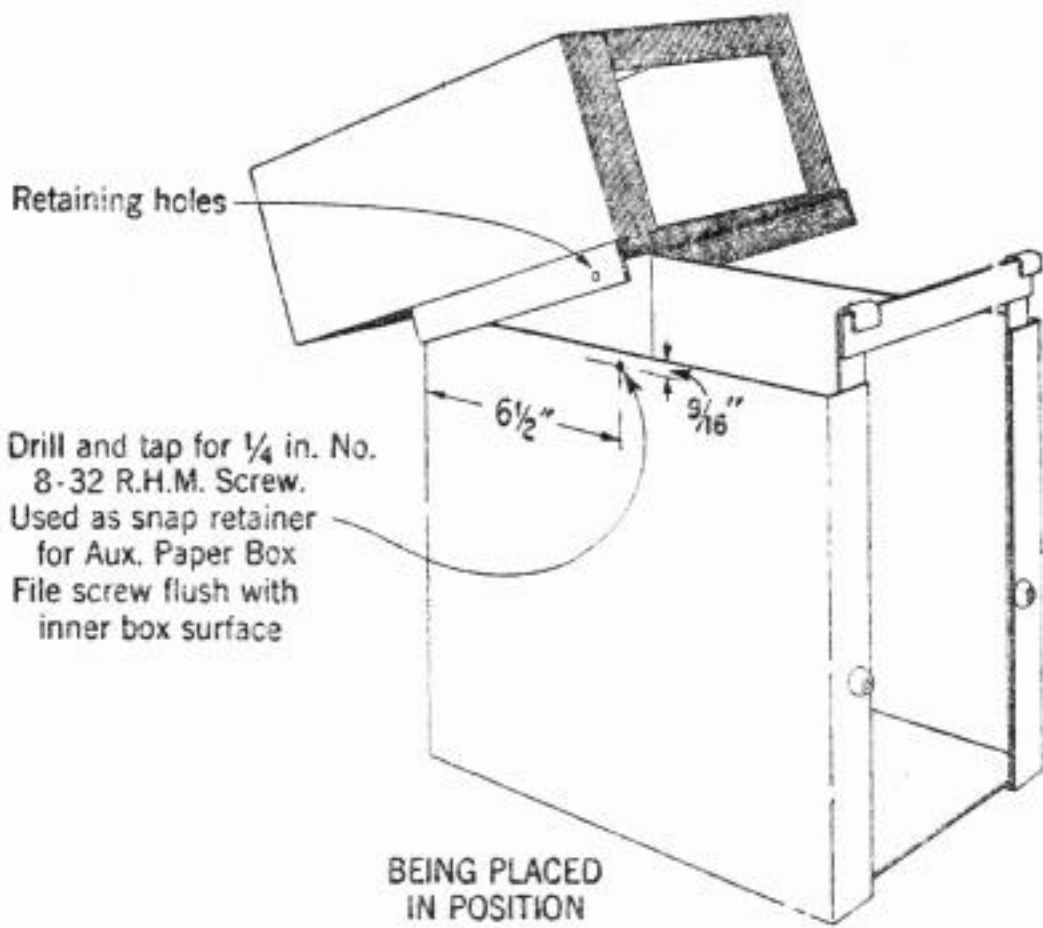
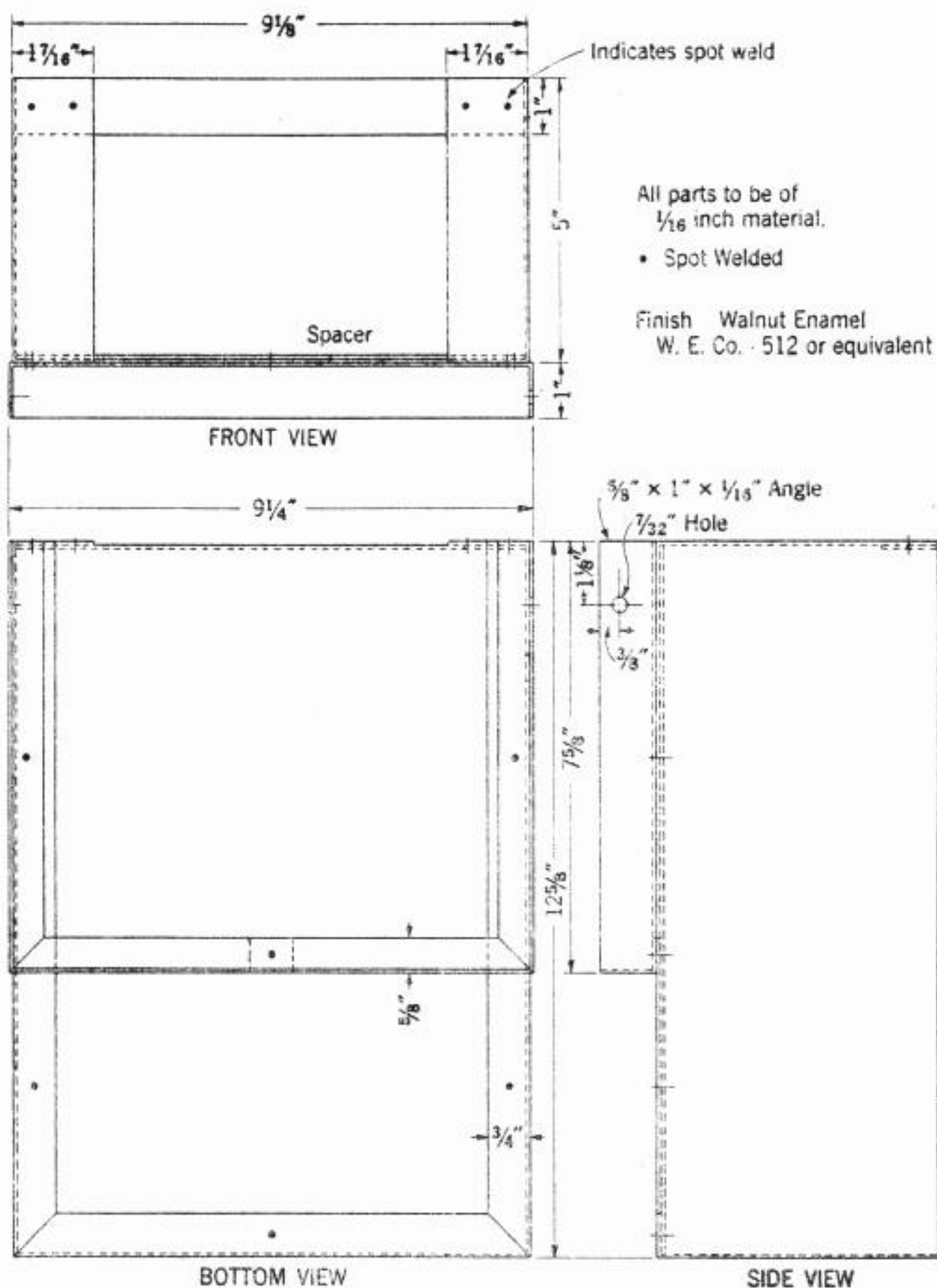


Fig. 1



AUXILIARY FORM PAPER BOX
To be mounted on top of 15-A Paper Box

Fig. 2