

American Telephone and Telegraph Company

BELL SYSTEM PRACTICES  
Teletypewriter and Manual  
Telegraph Station and PBX  
Installation and Maintenance

SECTION P35.908  
Issue B, 11-15-51  
Long Lines Department  
Dist. Class. 602.01AC

TRANSMITTER DISTRIBUTOR

NO. 14 STATION TYPE

PORTABLE AND REMOTE CONTROL ARRANGEMENTS

1. GENERAL

1.00 This issue supersedes Issue A.

1.01 This section furnishes connection plans and information for modifying No. 14 type transmitter-distributors to permit the customer to move this unit at will from one operating location to another.

1.02 This section also provides connection plans and modification information which will permit transmitter-distributors to be controlled from auxiliary contacts on a No. 14 teletypewriter.

Note: Although only the base required modification, the base and transmitter-distributor should be treated as a unit when moved from one location to another.

1.03 This section is reissued to include the PM Plans contained in Part 4.

2. MODIFICATIONS

Portable Only

2.01 The modifications required to make a No. 14 station type transmitter-distributor portable are shown in Fig. 3 which is reproduced from American Telephone and Telegraph Company Long Lines Department Drawing S-8126-143, and consist of the addition of the following items to the TP 77598 mounting plate.

- 4 - TP 35503 rubber feet
- 4 - TP 1269 screws
- 8 - TP 12-244 washers
- 4 - TP 3598 nuts

2.02 The foregoing parts should be installed on the mounting plate as shown in Figure 3 and as described in the following.

- (a) Remove the four TP 33-206 screws and TP 5566 collars from the mounting plate and replace with the rubber feet.

Note: Care should be taken in mounting these rubber feet that there will be a washer directly between the screw heads and the rubber feet and also between the nut and the mounting plate. In case the screws project through the nuts it may be necessary to file off the projecting portions so that they will not interfere with the removal or replacement of the TP 77077 base.

#### Remote Control Feature

2.03 The modifications required to provide the remote control feature to a portable No. 14 transmitter-distributor are shown in Figs. 1, 2 and 3 which are reproduced from American Telephone and Telegraph Company Long Lines Department Drawing S-8126-143 and consist of the addition of the following items to the TP 77598 mounting plate.

- 1 - No. 80 type jack mounting modified in accordance with Figure 1.
- 1 - No. 218-A jack
- 1 - No. 8-32 x 7/8 machine screw
- 1 - TP 71115 screw
- 1 - TP 55246 nut

2.04 The foregoing parts should be installed on the mounting plate as shown in Figures 2 and 3 and as described in the following.

- (a) Mount the 218-A jack in the modified jack mounting.

- (b) Remove the TP 77625 guard.
- (c) Drill a hole for a 6-32 screw in the mounting plate as shown in Figure 3.
- (d) Remove and discard the right TP 1093 screw and TP 3646 washer holding the right end of the TP 7398 contact screw plate in place.
- (e) Mount the modified jack mounting on the rear right of the mounting plate as viewed from the front and secure it in place by means of the 8-32 x 7/8 inch machine screw and the TP 71115 screw and TP 55246 nut in the screw holes made available under Paragraphs (c) and (d), as shown in Figure 2.
- (f) Replace the TP 77625 guard after connections described in Part 3 of this Section have been made.

### 3. WIRING CONNECTIONS

- 3.01 For line and power connections to the modified transmitter-distributor refer to Plans PM9.01, PM9.02, PM9.04 and PM9.05 covered in Part 4 of this Section.
- 3.02 For connections to the No. 14 teletypewriter associated with the modified transmitter-distributor refer to Plan PM9.03 covered in Part 4 of the Section.

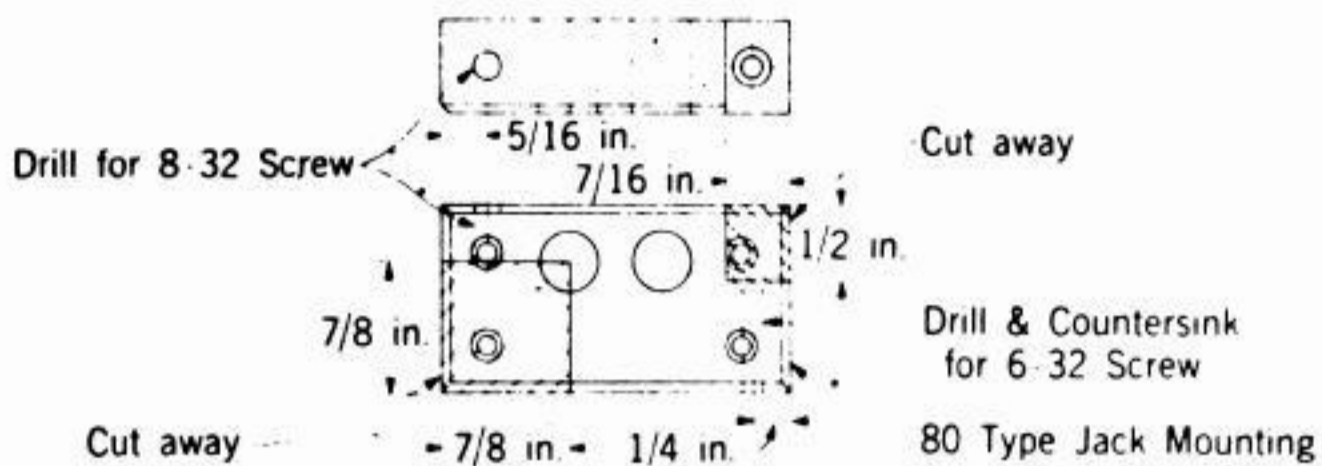


FIG. 1

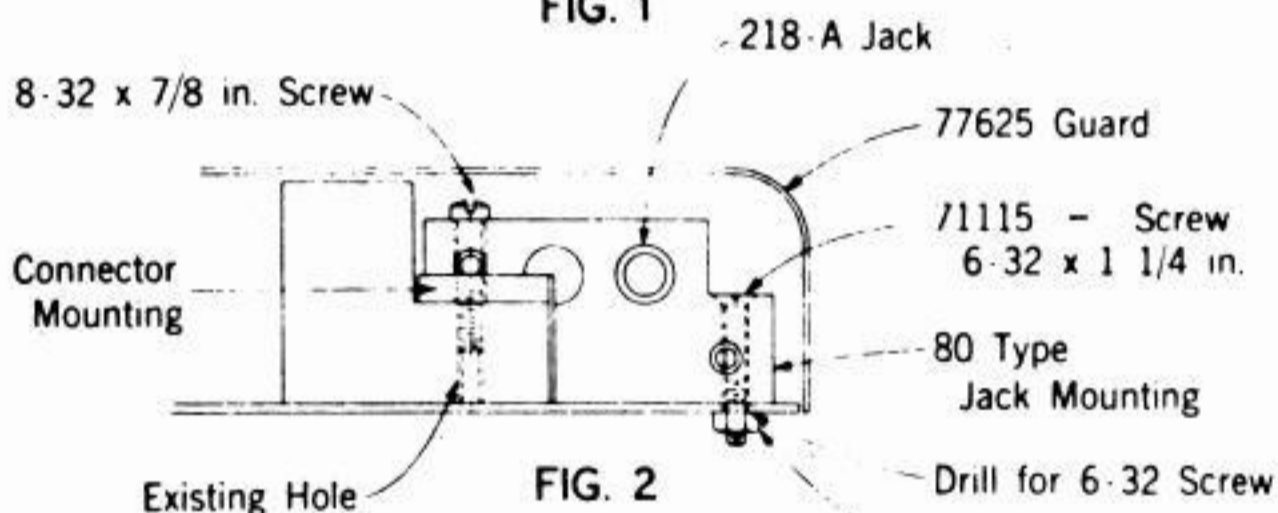


FIG. 2

- 1 - 35503 - Rubber Foot
- 1 - 1269 - Screw
- 2 - 12-244 - Washer
- 1 - 3598 - Nut

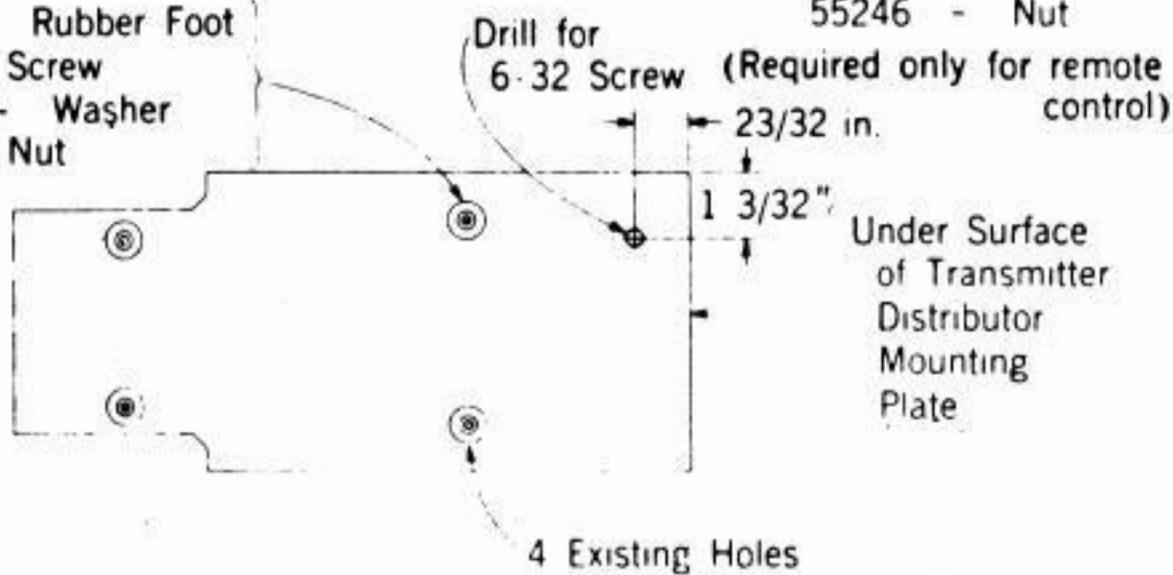
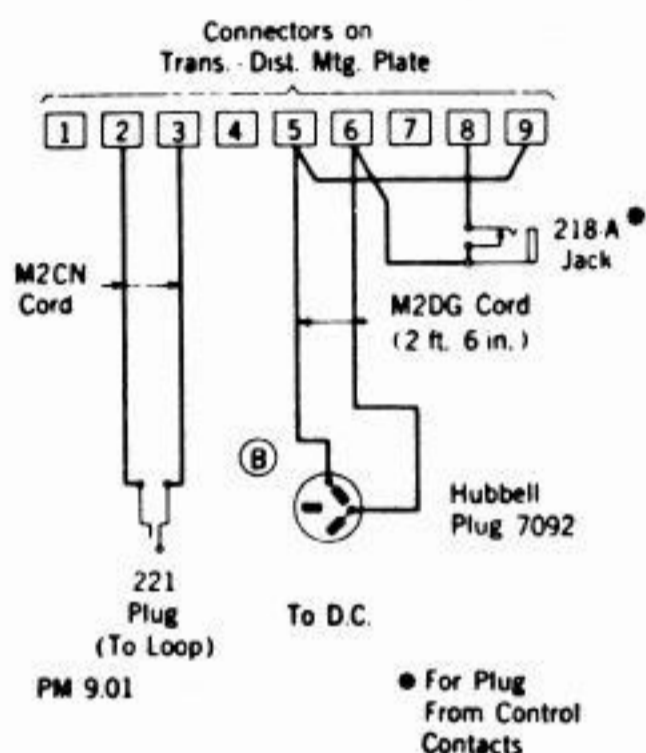


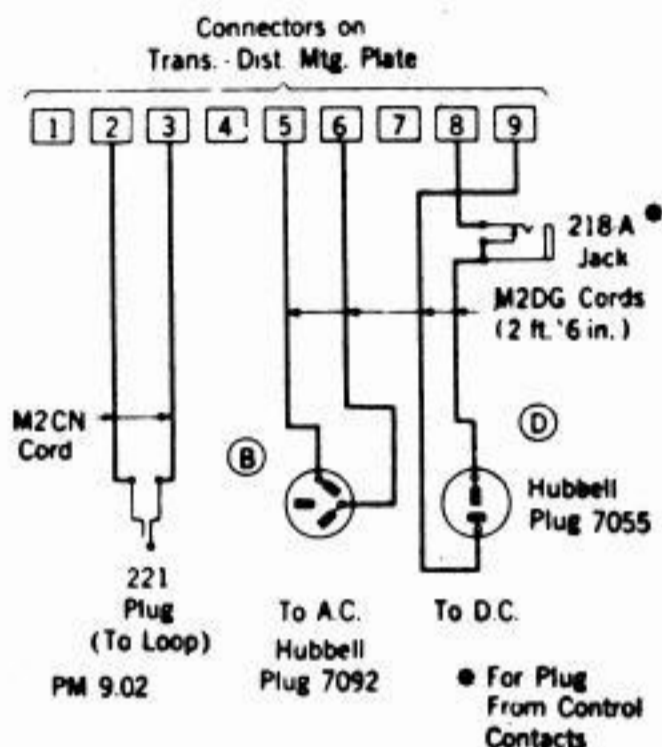
FIG. 3

#### 4. CONNECTION PLANS

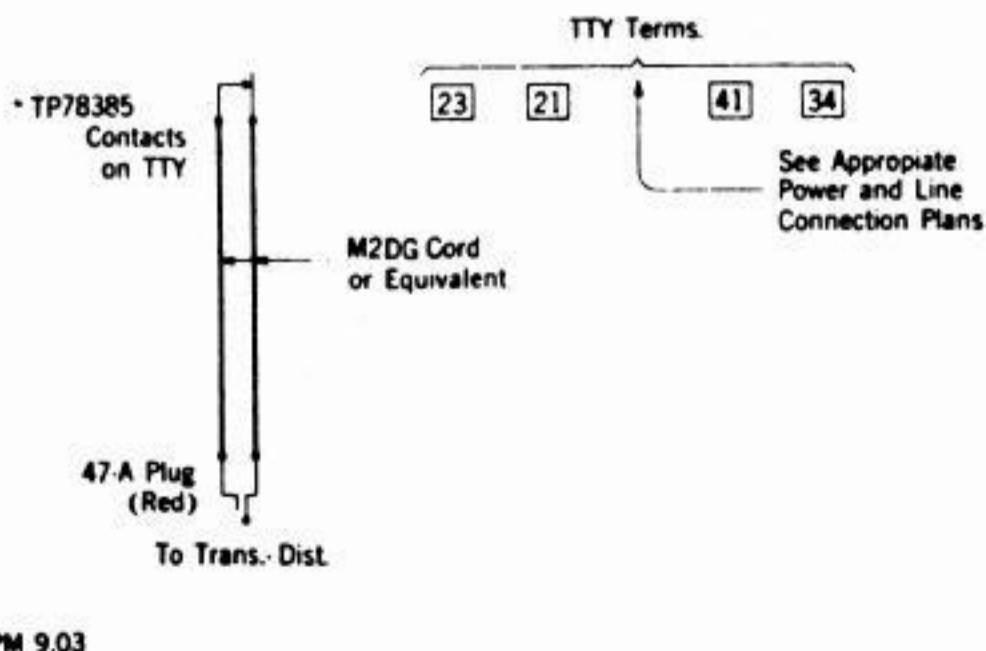
4.01 Following are the connection plans (PM Plans) showing power connections for remote controlled No. 14 transmitter-distributors (portable and non-portable), and the power connection plans for No. 14 teletypewriters used with portable No. 14 transmitter-distributor.



PM 9.01 No. 14 Trans.-Dist. - Remote Control of Portable Set - 110-V D.C.

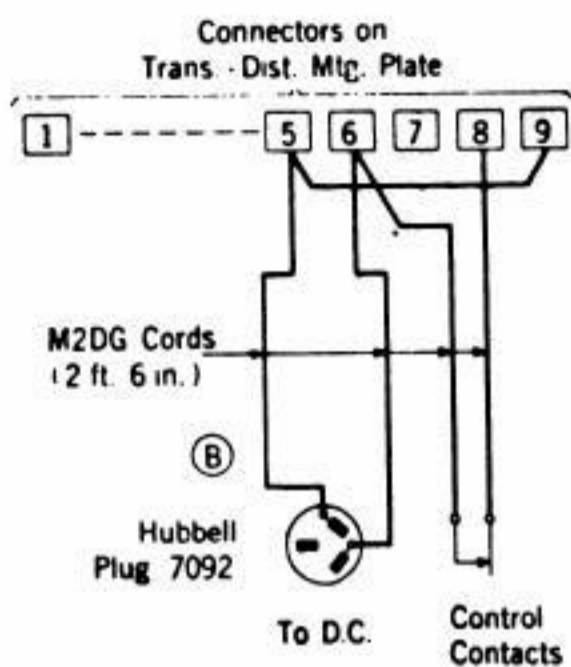


PM 9.02 No. 14 Trans.-Dist. - Remote Control of Portable Set - 110-V A.C.



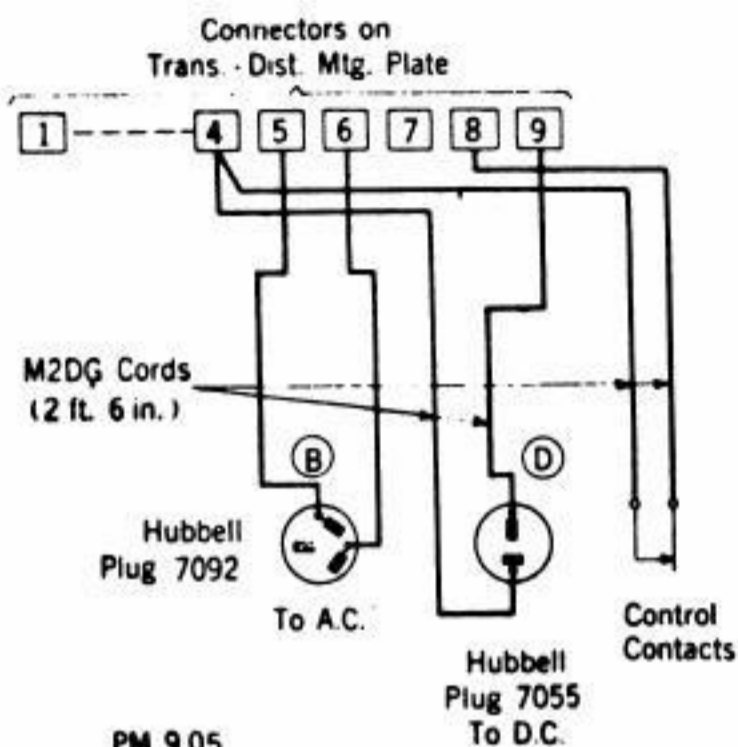
PM 9.03 No. 14 TTY - Connection for use with Remote Controlled Portable Trans.-Dist. (See PM 9.01 and PM 9.02).

TRANS. DISTRIB.  
NO. 14 STATION TYPE  
PORTABLE AND REMOTE  
CONTROL ARRANGEMENTS



PM 9.04

9.04 No. 14 Trans.-Dist. -  
Remote Control of  
Station Set - 110-V D.C.



PM 9.05

PM 9.05 No. 14 Trans.-Dist. -  
Remote Control of  
Station Set - 110-V A.C.