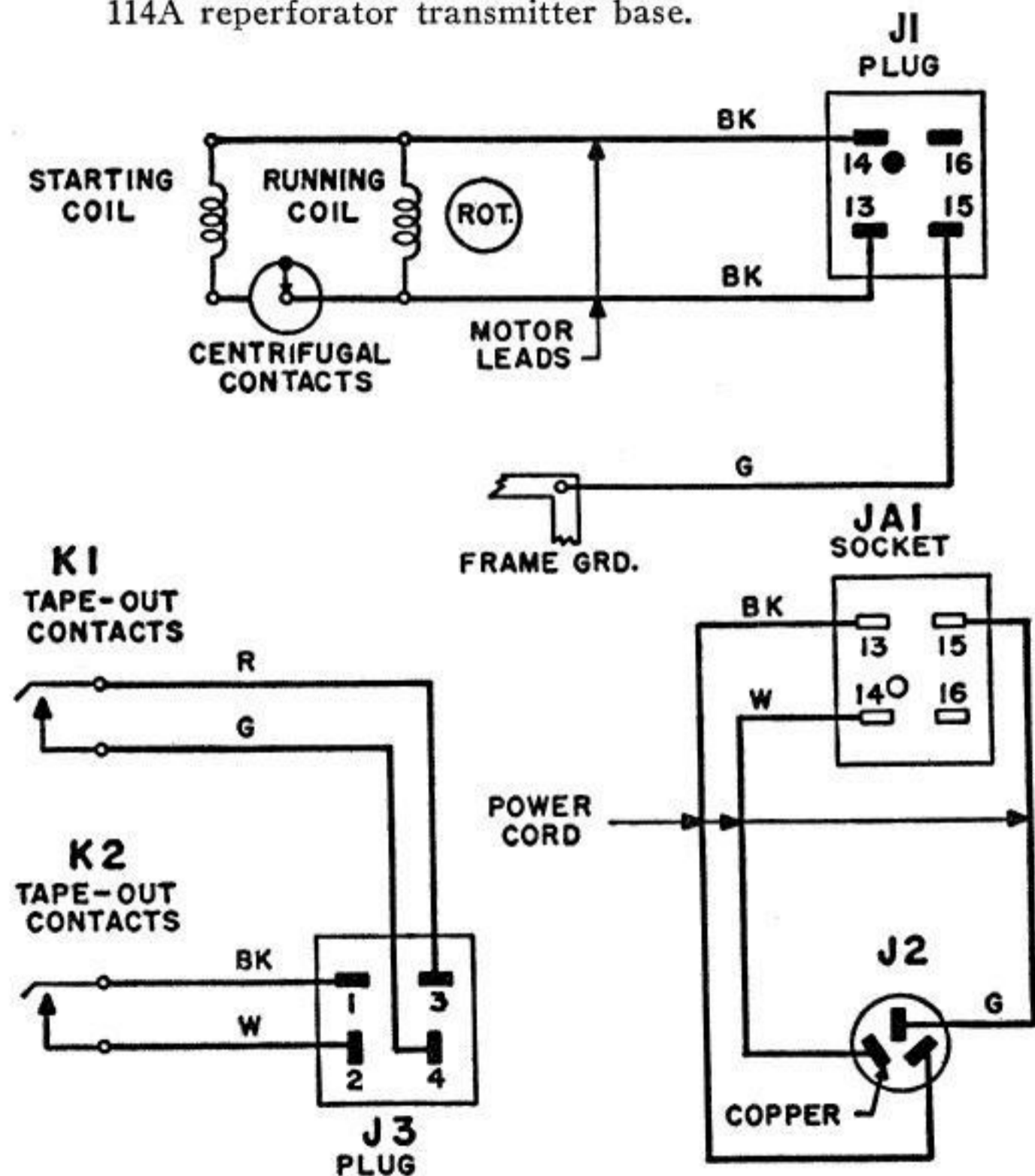


## WIRING DIAGRAM 114A REPERFORATOR TRANSMITTER

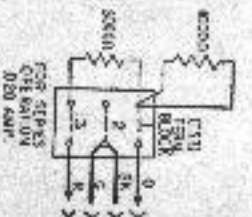
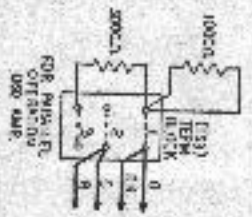
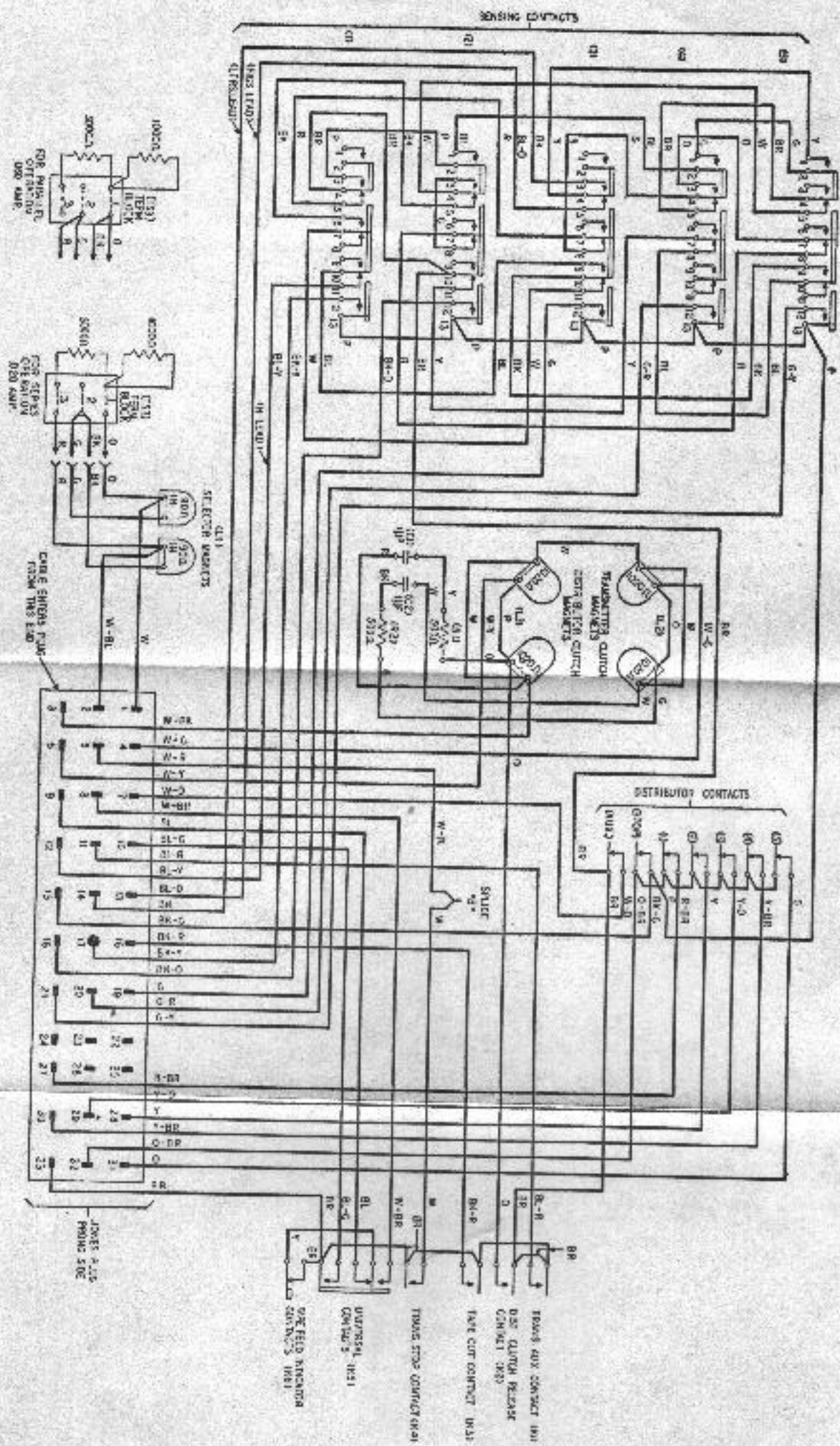
### 1. GENERAL

- 1.01 This section shows the wiring of the 114A reperforator transmitter unit and base.
- 1.02 This section is being reissued to add the wiring for the 114A reperforator transmitter base.

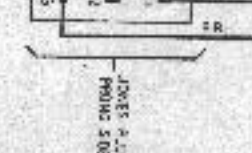
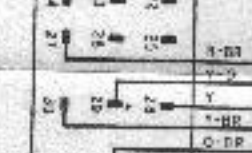
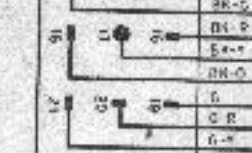


114A Reperforator Transmitter Base

# 114A REPERFORATOR TRANSMITTER UNIT



SELECTOR SWITCHES



JONES & CO. PHONE SIDE

TRANS. AUX. CONTACT (M)

DIS. CLUTCH RELEASE CONTACT (M)

LATE CUT CONTACT (M)

TRANS. STOP CONTACT (M)

URGENT (M)

URGENT (M)

URGENT (M)

URGENT (M)

URGENT (M)

URGENT (M)

URGENT (M)

URGENT (M)

URGENT (M)

URGENT (M)

URGENT (M)

URGENT (M)

URGENT (M)

URGENT (M)

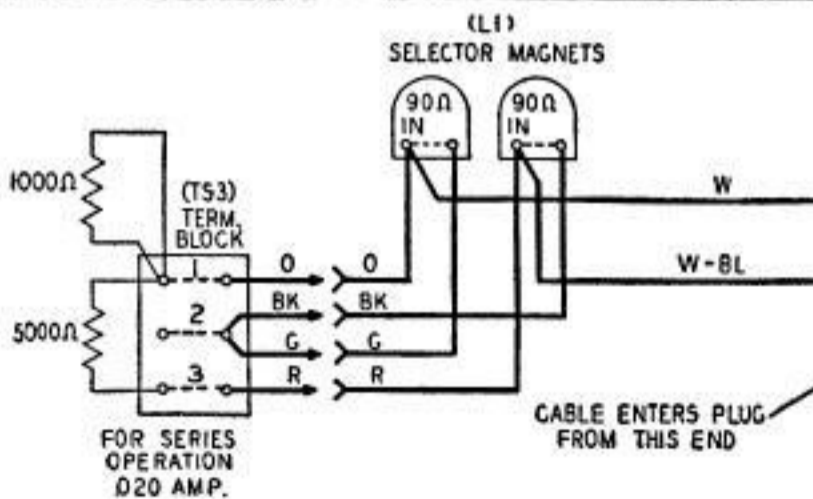
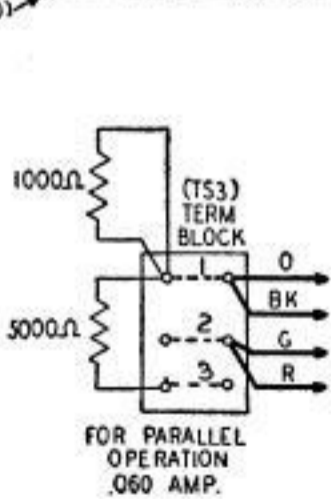
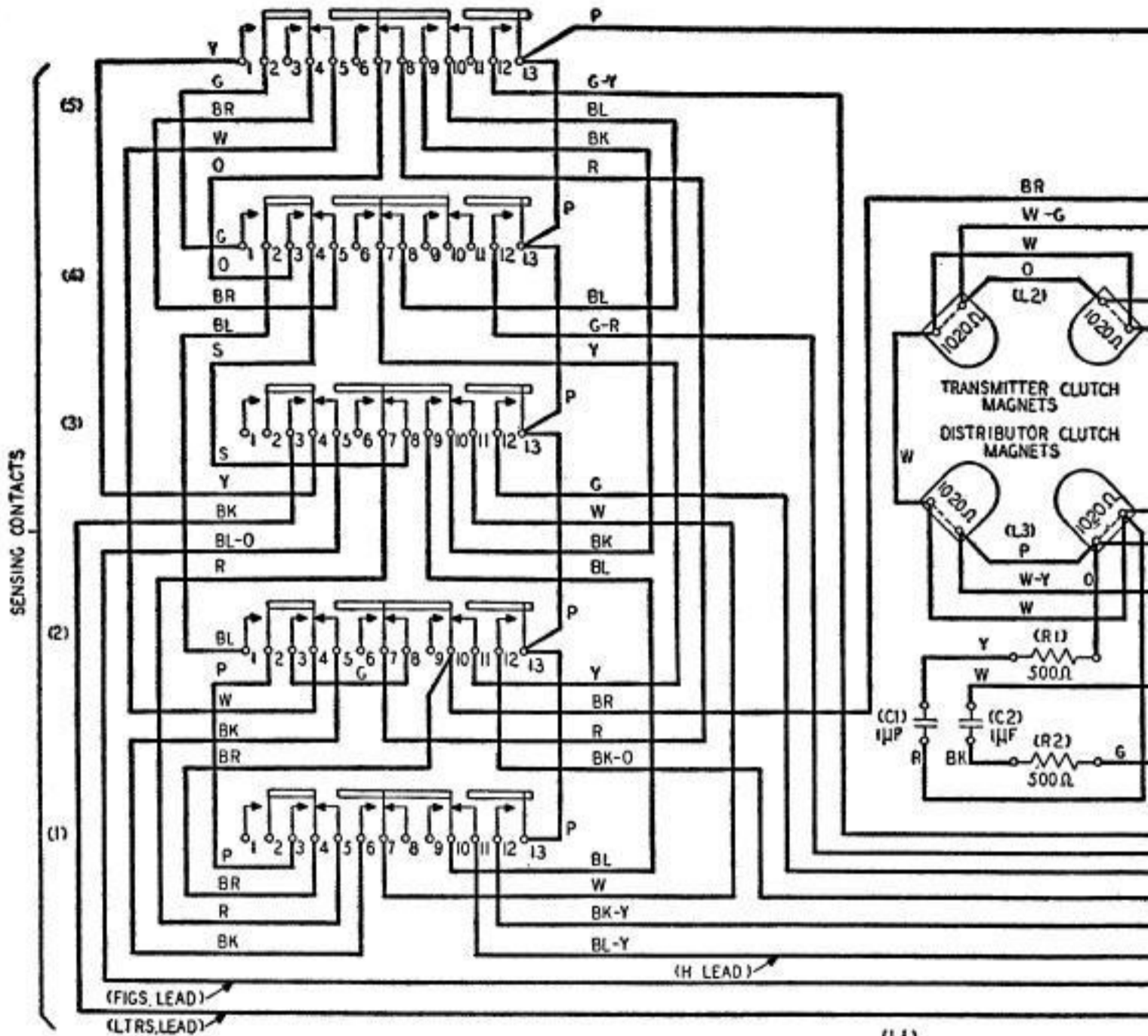
URGENT (M)

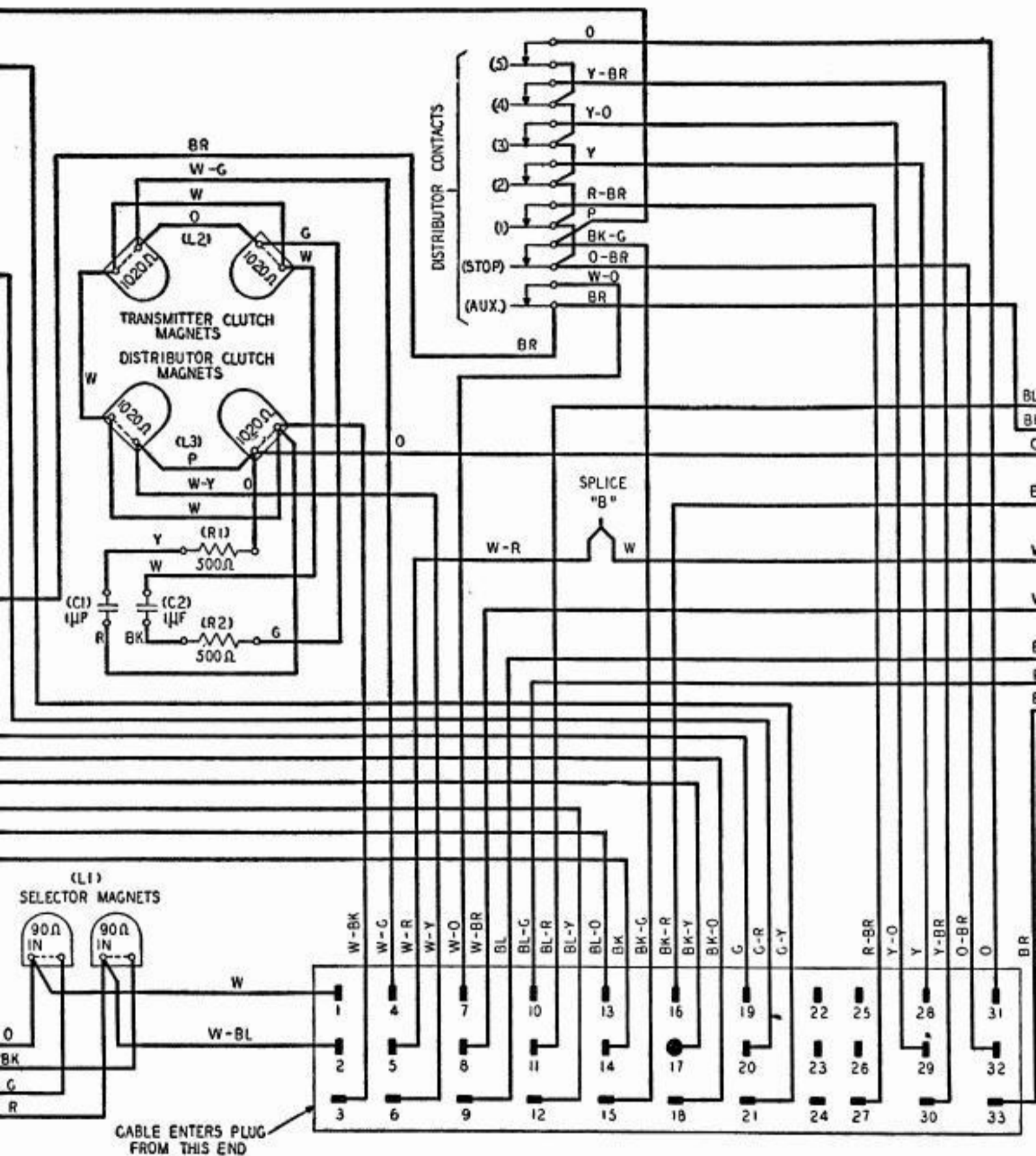
URGENT (M)

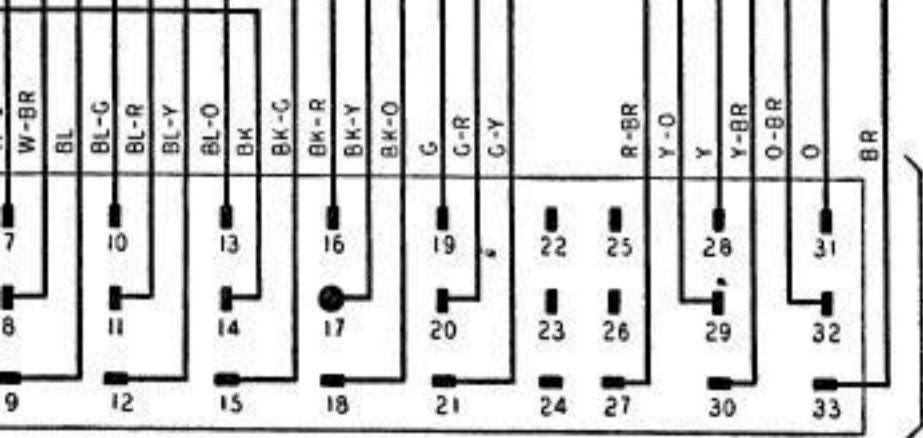
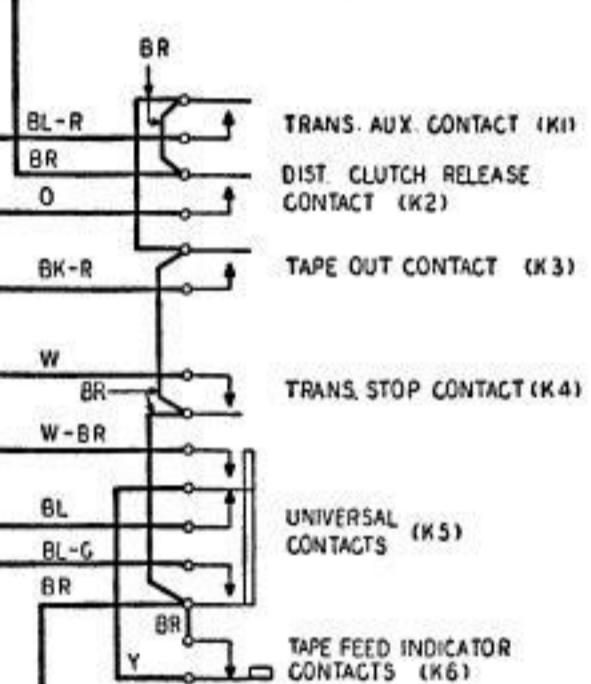
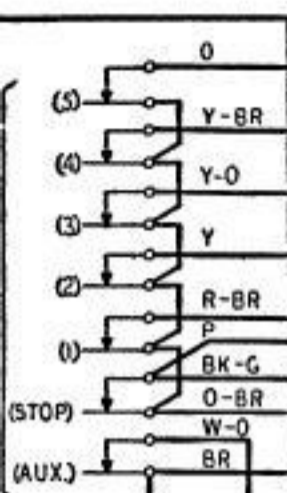
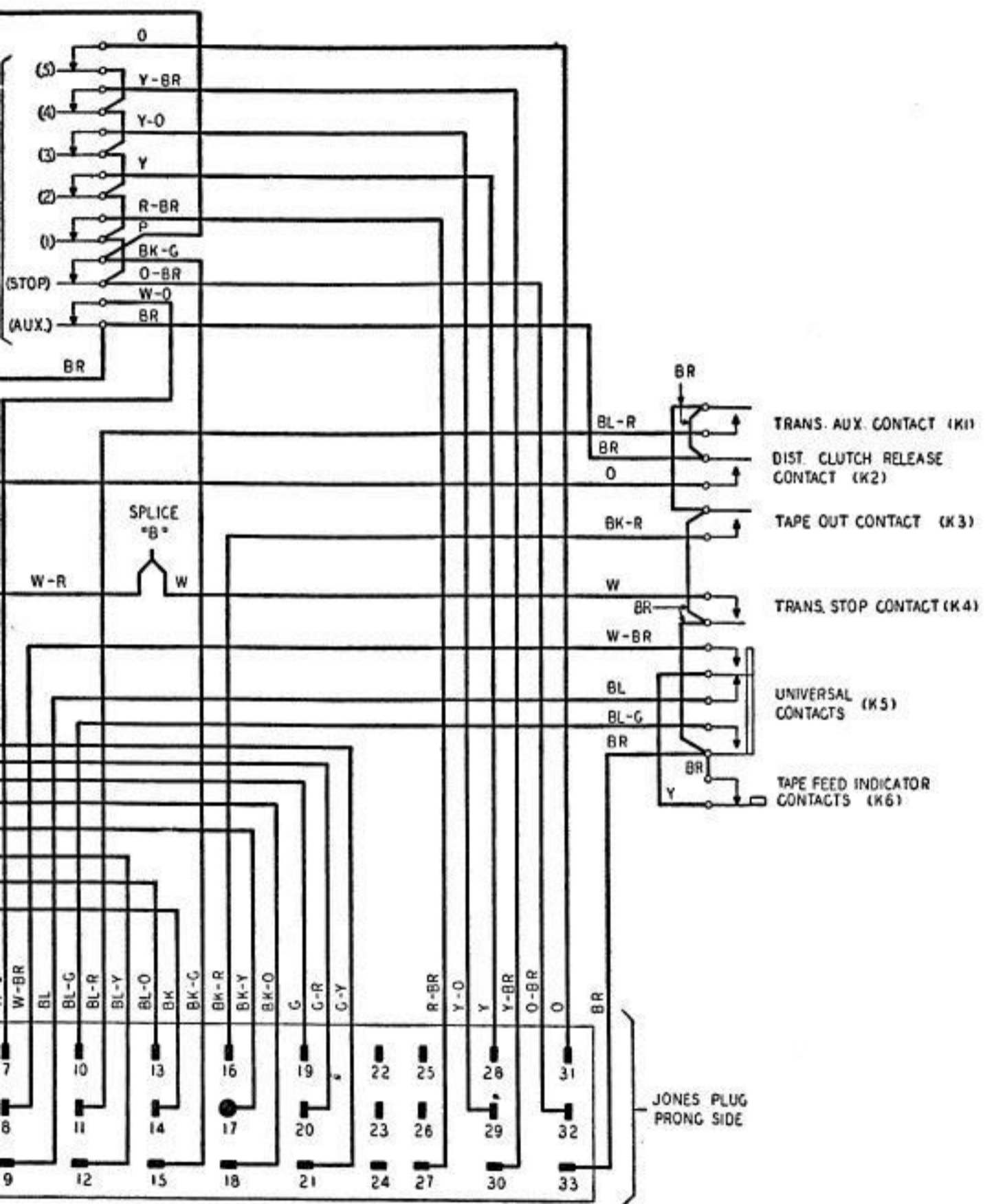
URGENT (M)

URGENT (M)

# 114A REPERFORATOR TRANSMITTER UNIT







- TRANS. AUX. CONTACT (K1)
- DIST. CLUTCH RELEASE CONTACT (K2)
- TAPE OUT CONTACT (K3)
- TRANS. STOP CONTACT (K4)
- UNIVERSAL CONTACTS (K5)
- TAPE FEED INDICATOR CONTACTS (K6)

JONES PLUG PRONG SIDE