

WIRING DIAGRAMS

NO. 14 TYPE TELETYPEWRITERS

1. GENERAL

1.01 This section gives the wiring of the various apparatus units which may be used in 14 type teletypewriter and typing reperforator sets as they are delivered from the factory. It also shows the wiring of a typical assembly involving a base and typing unit.

1.02 The section is reissued to include Fig. 33 and add code designations in the titles of Figs. 16, 19, 22, 23, 24, 25, 26 and 35. A list of titles also has been added.

1.03 Changes in the wiring of these units required to meet various operating conditions are shown in "M" plans in the section covering internal wiring variations in 14-type teletypewriter apparatus.

1.04 Where wire colors are not specified, the wires are black for all the units shown.

1.05 The following figures are included:

2. TYPING UNITS AND TYPING REPERFORATOR UNITS

Fig. 1—Nos. 14-A, B, C, and D Typing Units
(Synchronous Motor)

Fig. 2—Nos. 14-E and F Typing Units
(D-C Motor Unit)

Fig. 3—Nos. 14-G and H Typing Units
(A-C Series Motor)

Fig. 4—No. 14-L Typing Unit
(A-C Series Motor)

Fig. 5—No. 14-K Typing Unit
(A-C Series Motor—2-Speed Governor)

Fig. 6—No. 14-M Typing Unit
(Synchronous Motor)

- Fig. 7—No. 14-N Typing Unit
(D-C Shunt Motor)
- Fig. 8—No. 14-P Typing Unit
(A-C Series Motor)
- Fig. 9—No. 14-R Typing Unit
(Synchronous Motor)
- Fig. 10—No. 14-S Typing Unit
(D-C Shunt Motor)
- Fig. 11—No. 14-T Typing Unit
(A-C Series Motor)
- Fig. 12—No. 14-U Typing Unit
(Synchronous Motor)
- Fig. 13—No. 14-W Typing Unit
(D-C Shunt Motor)
- Fig. 14—No. 14-Y Typing Unit
(A-C Series Motor)
- Fig. 15—No. 14-AA Typing Unit
(130-Volt D-C Motor Unit)
- No. 16—Nos. 14-AB and AF Typing Units
(Synchronous Motor)
- Fig. 17—No. 14-AD Typing Unit
(D-C Shunt Motor)
- Fig. 18—No. 14-AE Typing Unit
(Synchronous Motor)
- Fig. 19—Nos. 14-AG, AH and AP Typing Units and Nos.
14-M, P, S, T, AG, AH, AJ, AK and AL Typing
Reperforator Units (Synchronous Motor)
- Fig. 20—Nos. 14-AS and 14-AT Typing Unit
(A-C Series Motor—2-Speed Governor)
- Fig. 21—Nos. 14-AU, 14-AW, 14-AY and 14-BA
Typing Units (Synchronous Motor)
- Fig. 22—Nos. 14-N, 14-R, 14-U and 14-W Typing
Reperforator Units and Nos. 14-AJ, AK and
AR Typing Units (D-C Shunt Motor)
- Fig. 23—Nos. 14-AM and 14-AN Typing Reperforator Units
and Nos. 14-AL and AM Typing Units
(A-C Series Motor)
- Fig. 24—Nos. 14-AP and AR Typing Reperforator Units
(Synchronous Motor)

3. BASES

- Fig. 25—Nos. 14-A and S Teletypewriter Bases and No.
14-N Typing Reperforator Base

- Fig. 26—Nos. 14-B and T Teletypewriter Bases
 Fig. 27—No. 14-H Teletypewriter Base
 Fig. 28—No. 14-J Teletypewriter Base
 Fig. 29—No. 14-K Teletypewriter Base
 Fig. 30—No. 14-L Teletypewriter Base
 Fig. 31—No. 14-M Teletypewriter Base
 Fig. 32—Nos. 14-N and P Teletypewriter Bases
 Fig. 33—No. 14-R Teletypewriter Base
 Fig. 34—No. 14-U Teletypewriter Base
 Fig. 35—Nos. 14-M, U, W, Y and AA Typing Reperforator Bases
 Fig. 36—No. 14-P Typing Reperforator Base
 Fig. 37—No. 14-AB Typing Reperforator Base
 Fig. 38—Nos. 14-AD and 14-AE Typing Reperforator Bases

4. TYPICAL CIRCUITS

Fig. 39—No. 14-Type Teletypewriter—Typical Circuit
 (14-A Typing Unit, 14-B Base)

2. TYPING UNITS AND TYPING REPERFORATOR UNITS

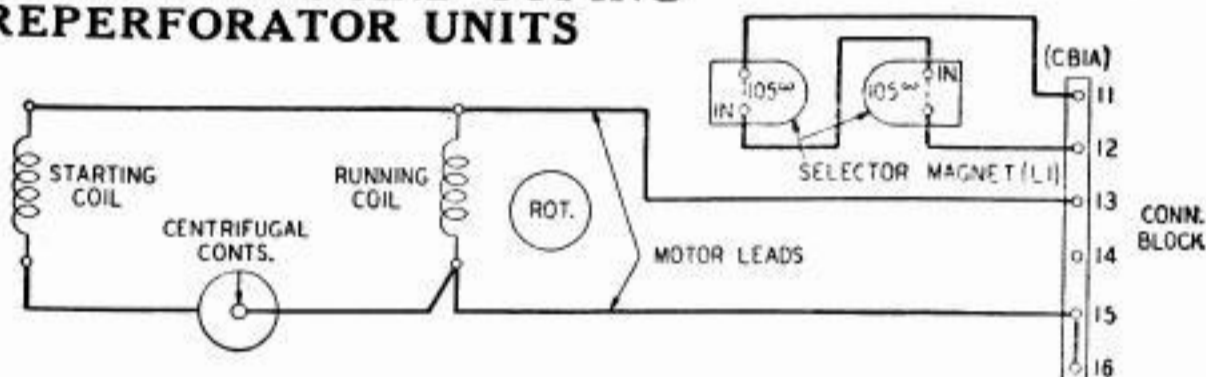


Fig. 1—Nos. 14-A, B, C, and D Typing Units
 (Synchronous Motor)

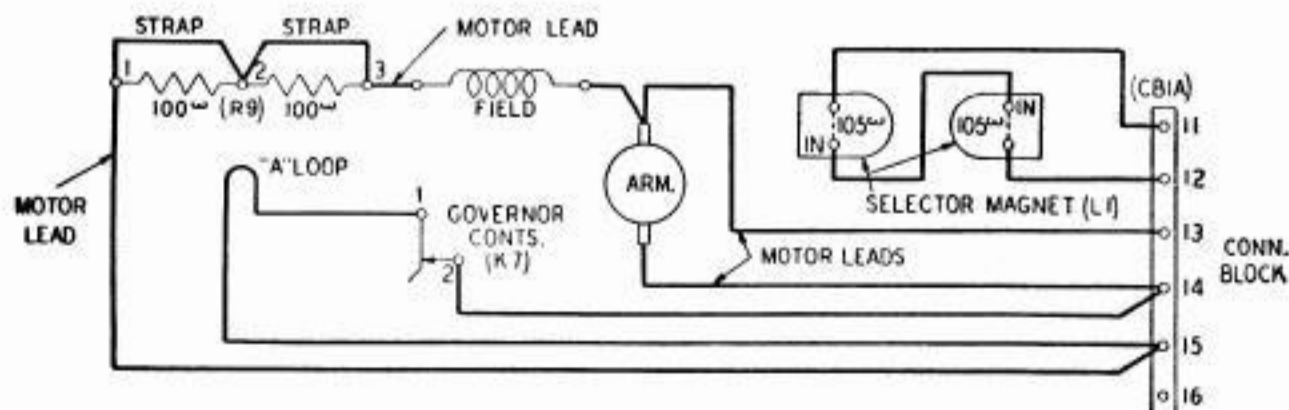


Fig. 2—Nos. 14-E and F Typing Units
 (D-C Motor Unit)

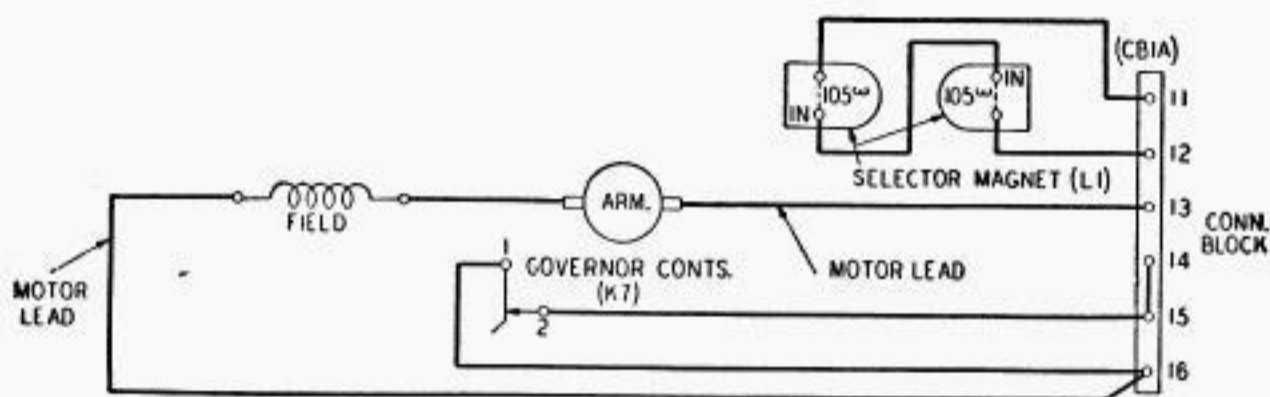


Fig. 3—Nos. 14-G and H Typing Units (A-C Series Motor)

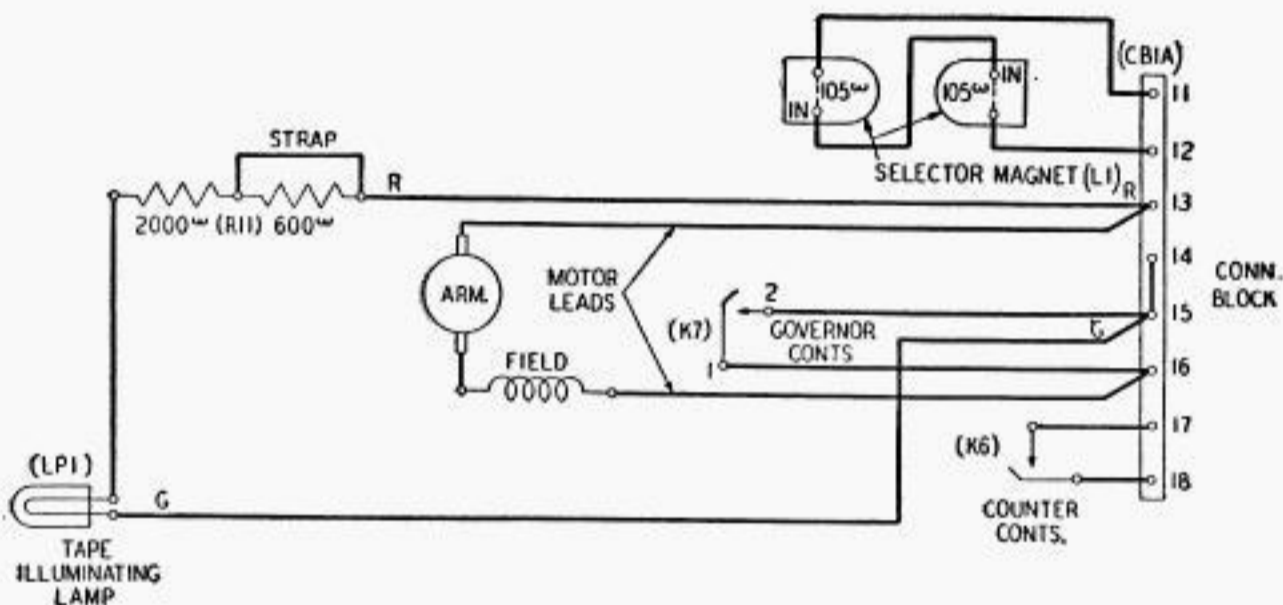


Fig. 4—No. 14-L Typing Unit (A-C Series Motor)

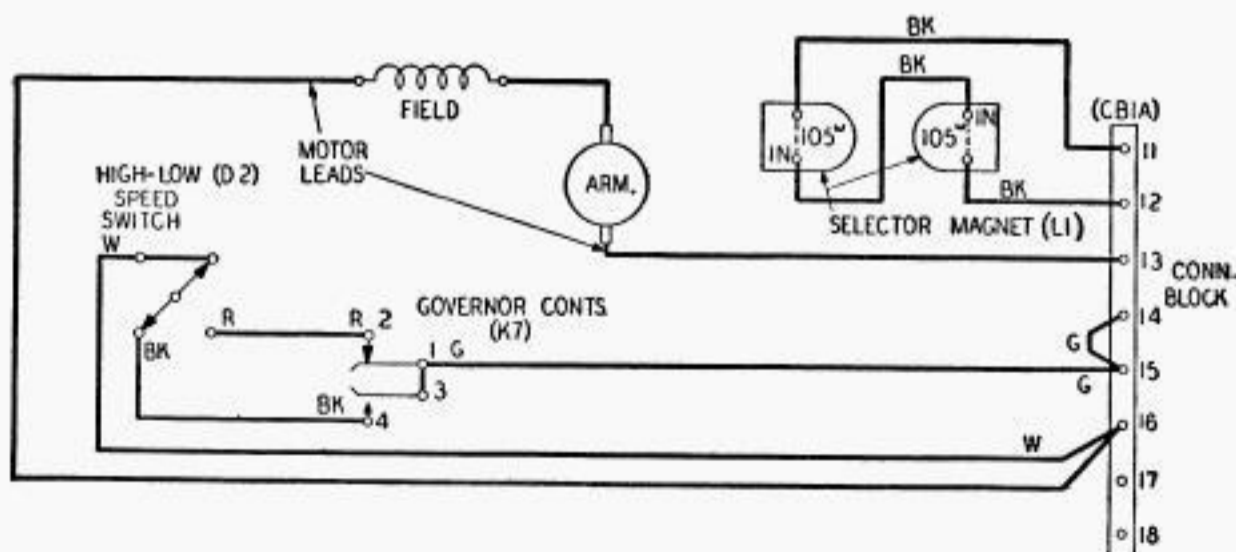
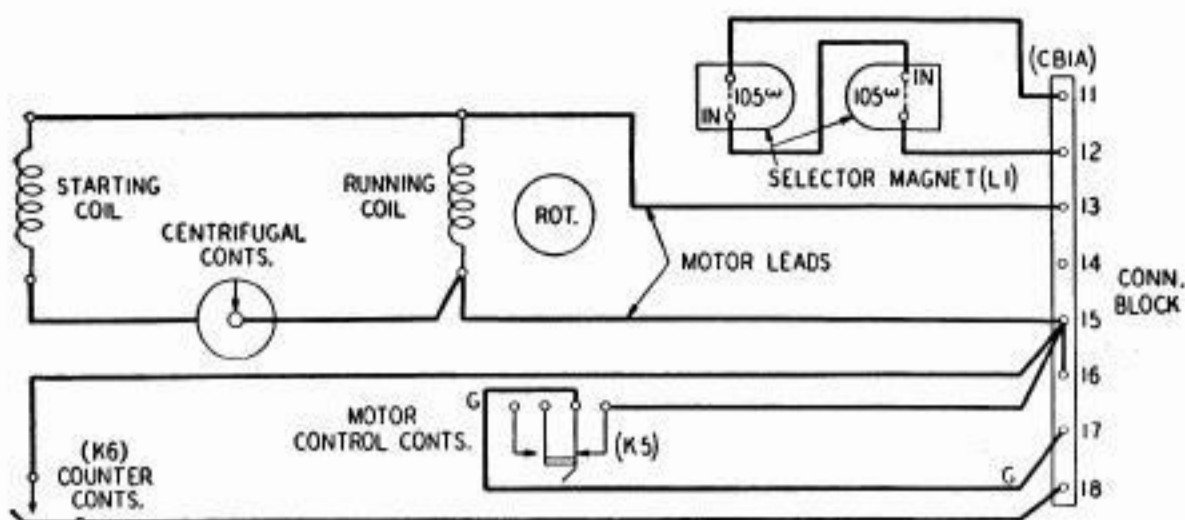
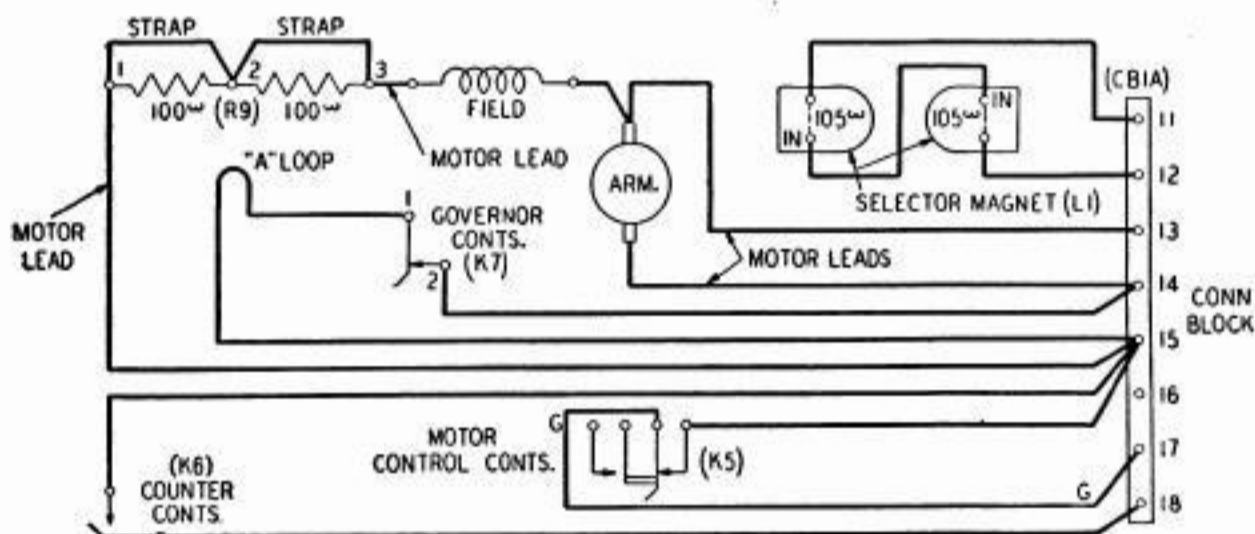


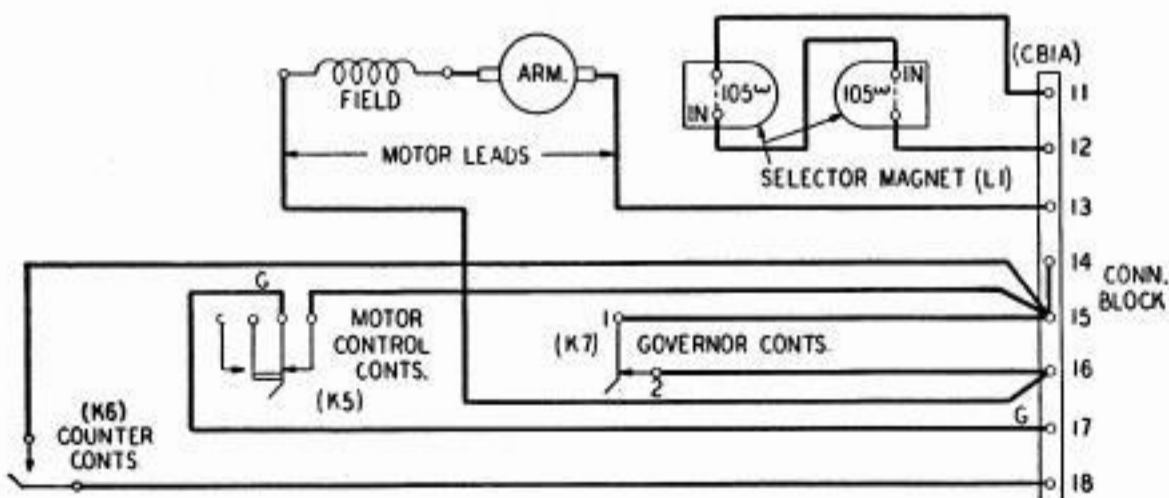
Fig. 5—No. 14-K Typing Unit (A-C Series Motor—2-Speed Governor)



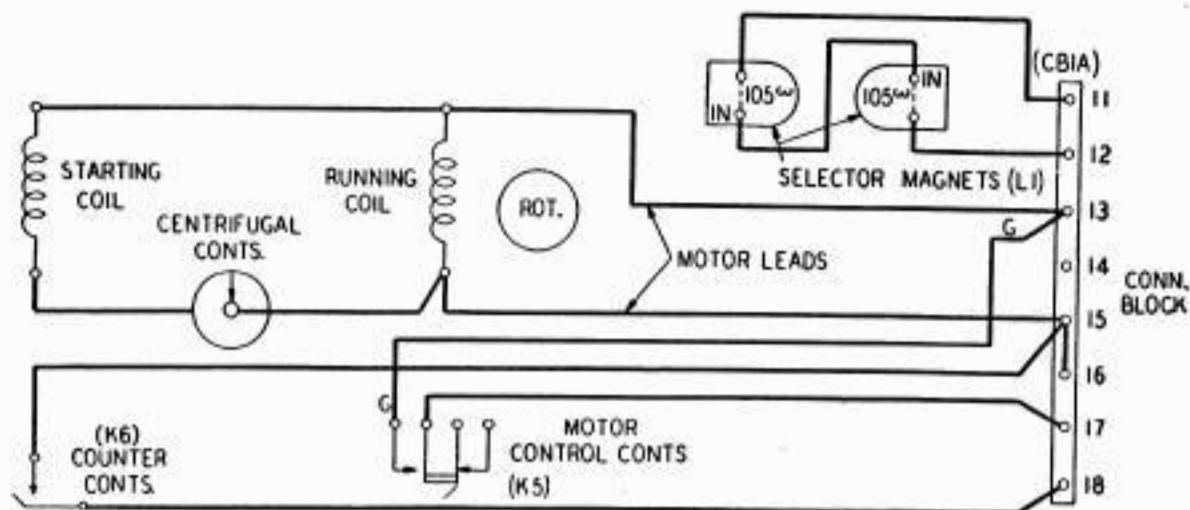
**Fig. 6—No. 14-M Typing Unit
(Synchronous Motor)**



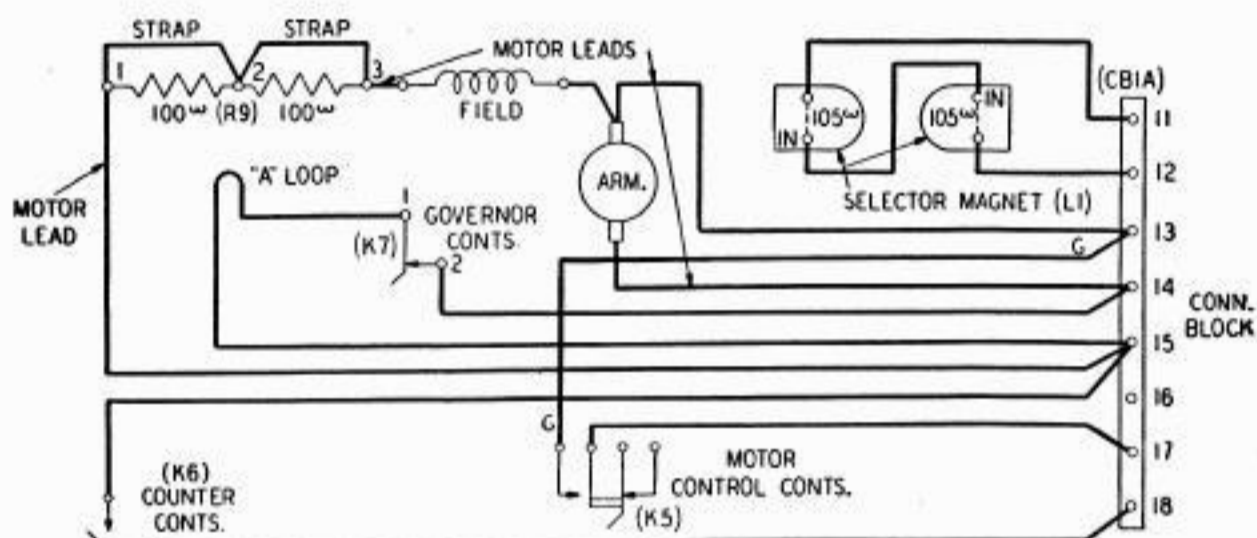
**Fig. 7—No. 14-N Typing Unit
(D-C Shunt Motor)**



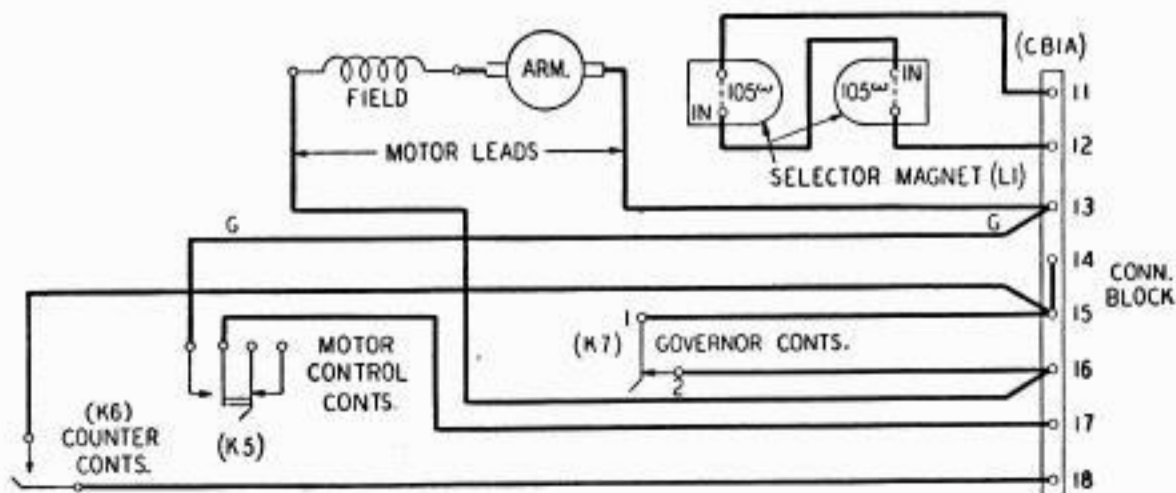
**Fig. 8—No. 14-P Typing Unit
(A-C Series Motor)**



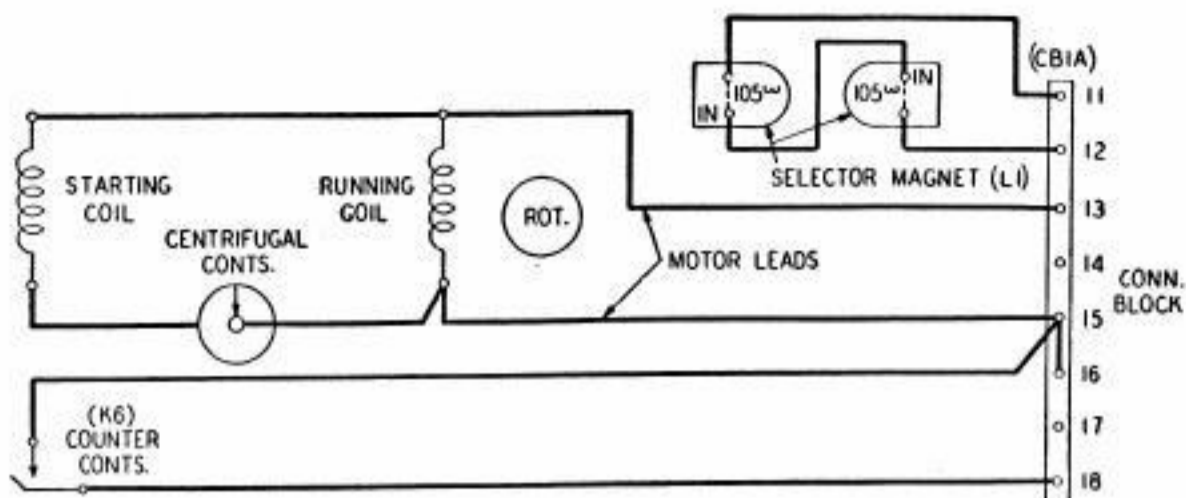
**Fig. 9—No. 14-R Typing Unit
(Synchronous Motor)**



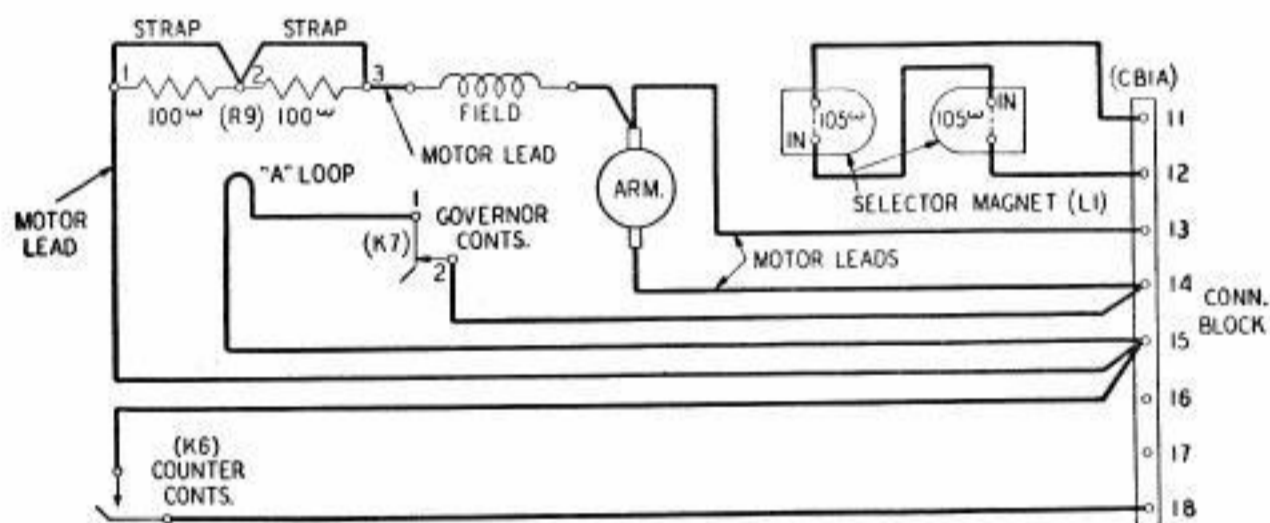
**Fig. 10—No. 14-S Typing Unit
(D-C Shunt Motor)**



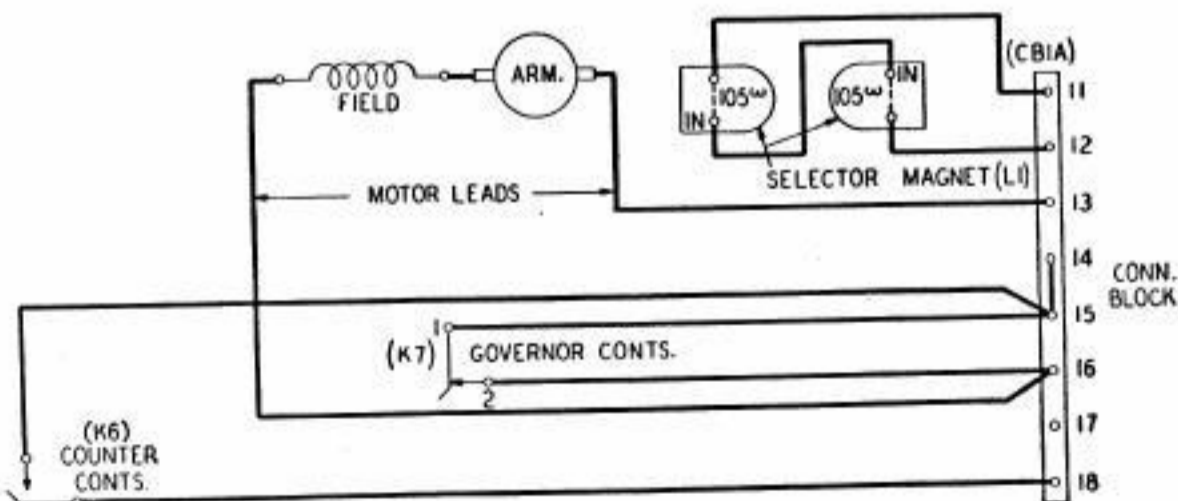
**Fig. 11—No. 14-T Typing Unit
(A-C Series Motor)**



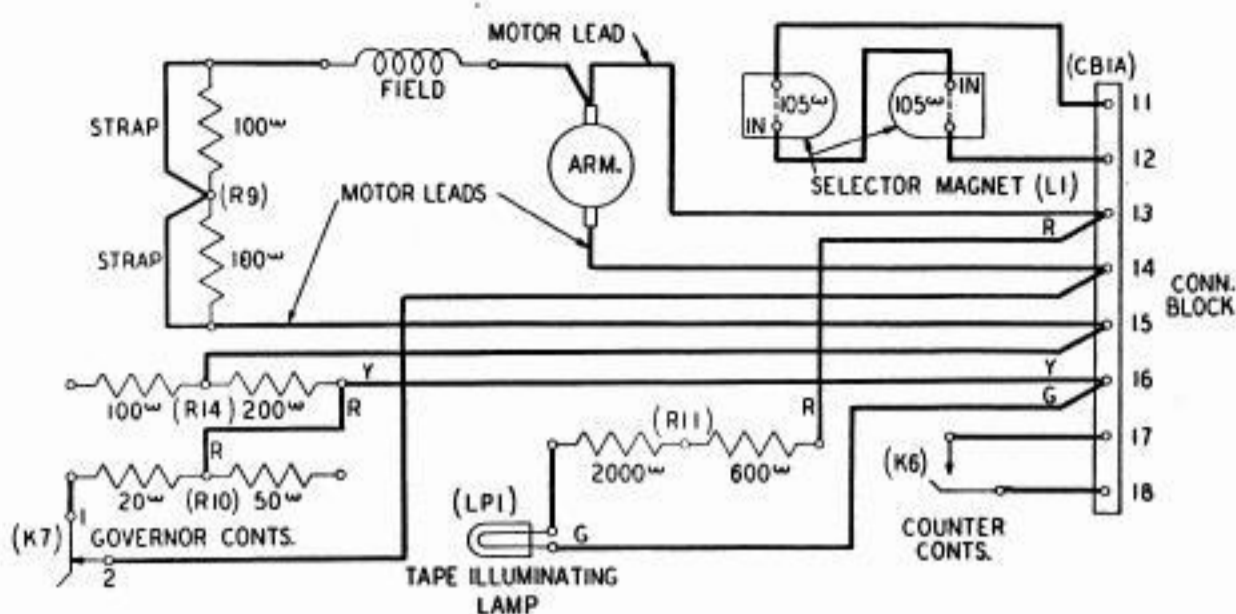
**Fig. 12—No. 14-U Typing Unit
(Synchronous Motor)**



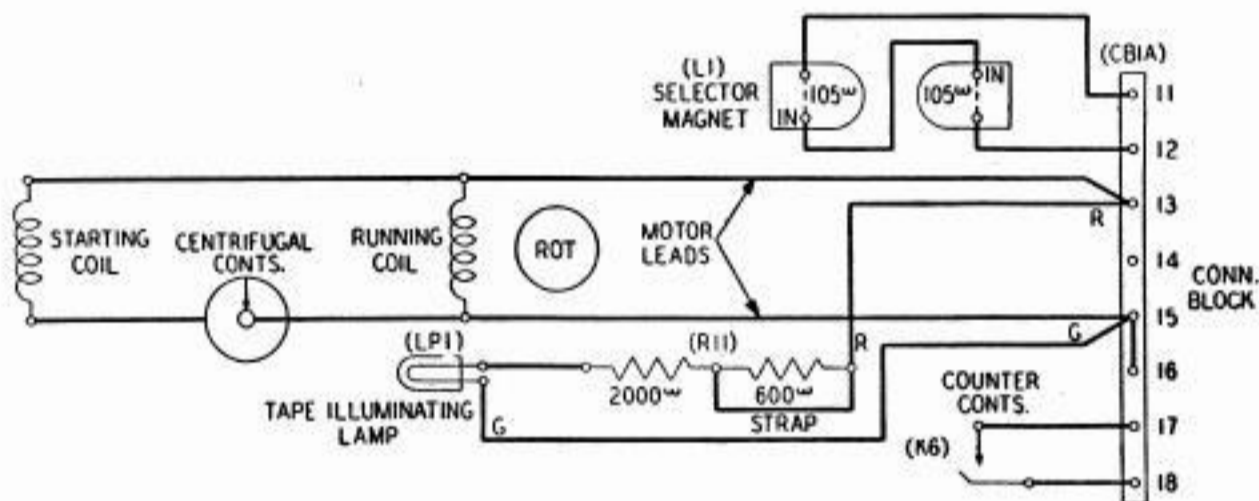
**Fig. 13—No. 14-W Typing Unit
(D-C Shunt Motor)**



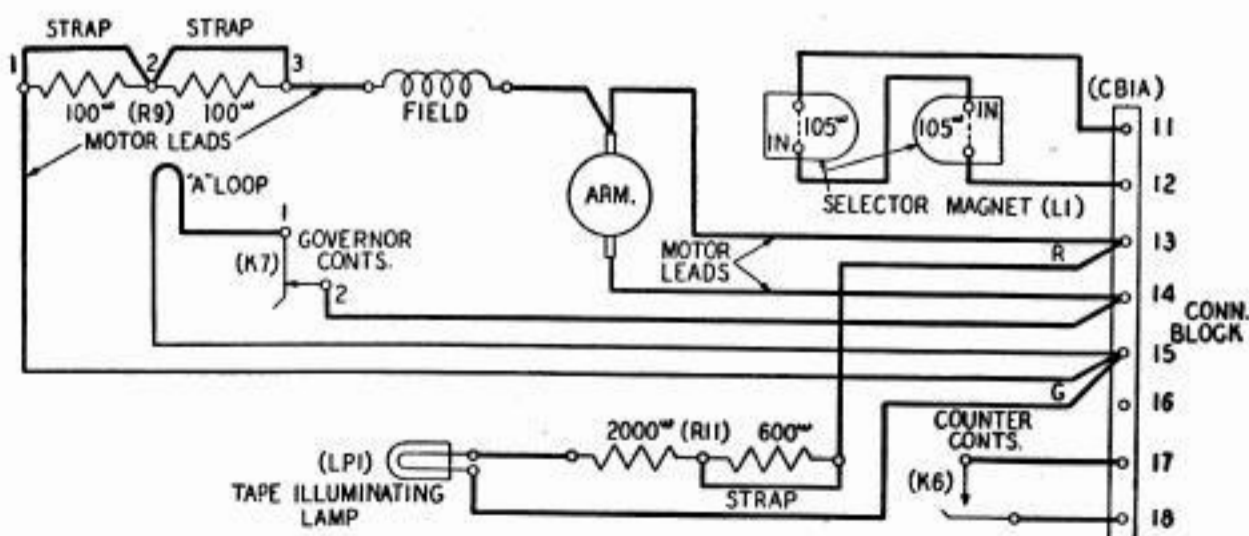
**Fig. 14—No. 14-Y Typing Unit
(A-C Series Motor)**



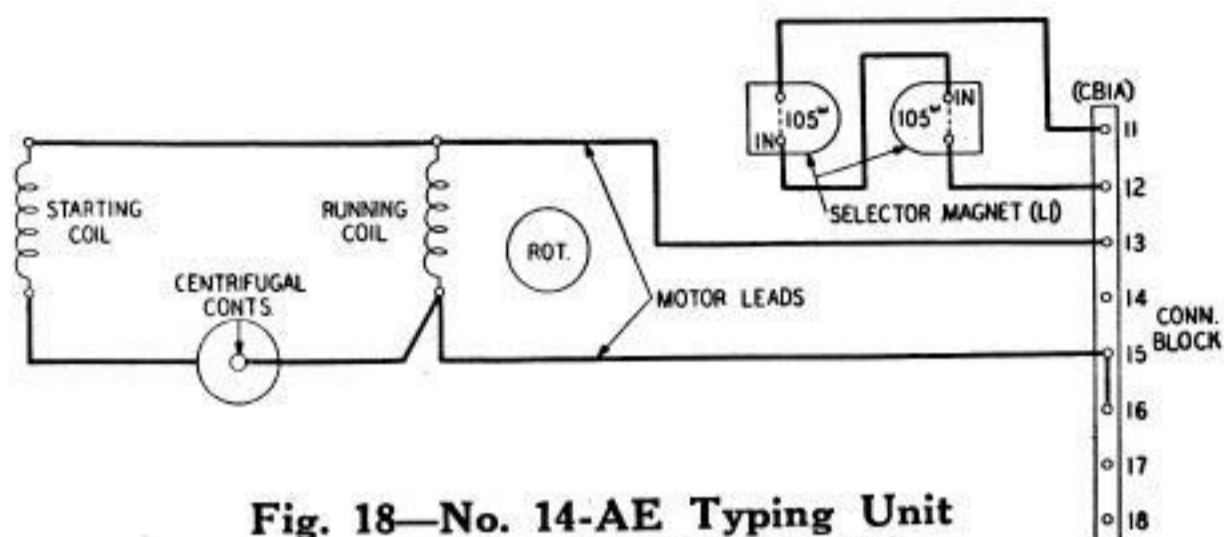
**Fig. 15—No. 14-AA Typing Unit
(130-Volt D-C Motor Unit)**



**Fig. 16—Nos. 14-AB and AF Typing Units
(Synchronous Motor)**



**Fig. 17—No. 14-AD Typing Unit
(D-C Shunt Motor)**



**Fig. 18—No. 14-AE Typing Unit
(Synchronous Motor)**

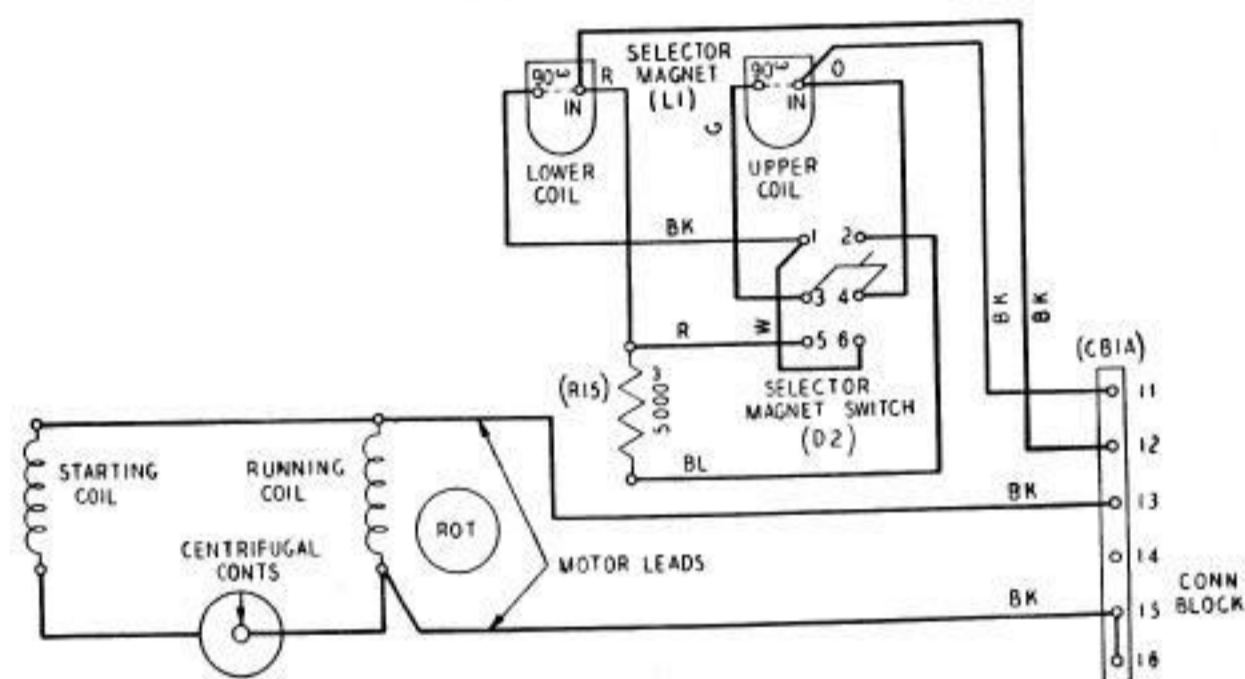


Fig. 19—Nos. 14-AG, AH and AP Typing Units and Nos. 14-M, P, S, T, AG, AH, AJ, AK and AL Typing Reperforator Units (Synchronous Motor)

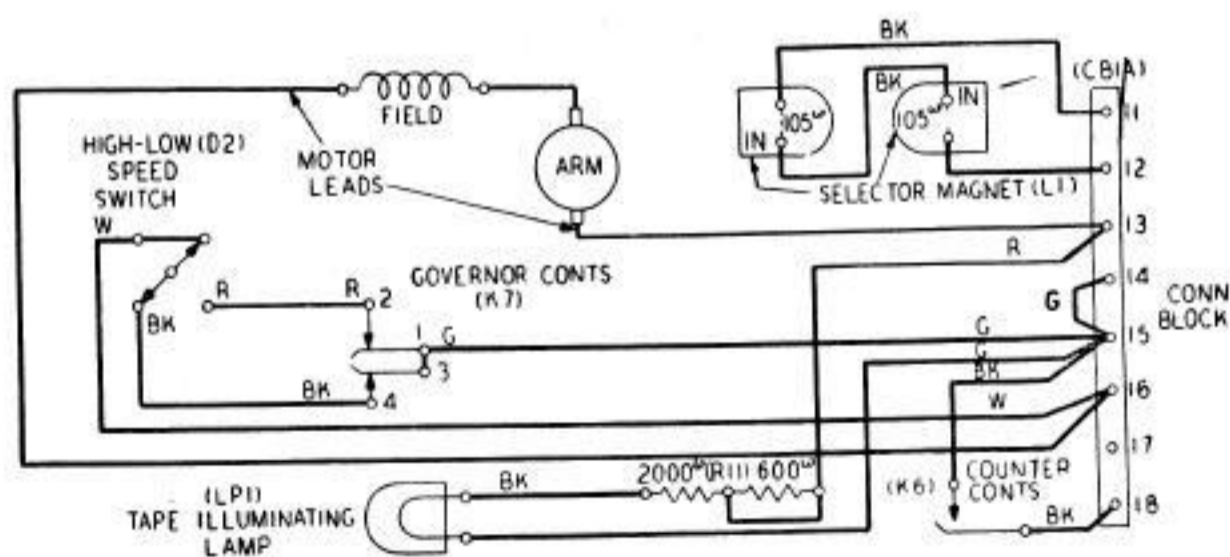


Fig. 20—Nos. 14-AS and 14-AT Typing Unit (A-C Series Motor—2-Speed Governor)

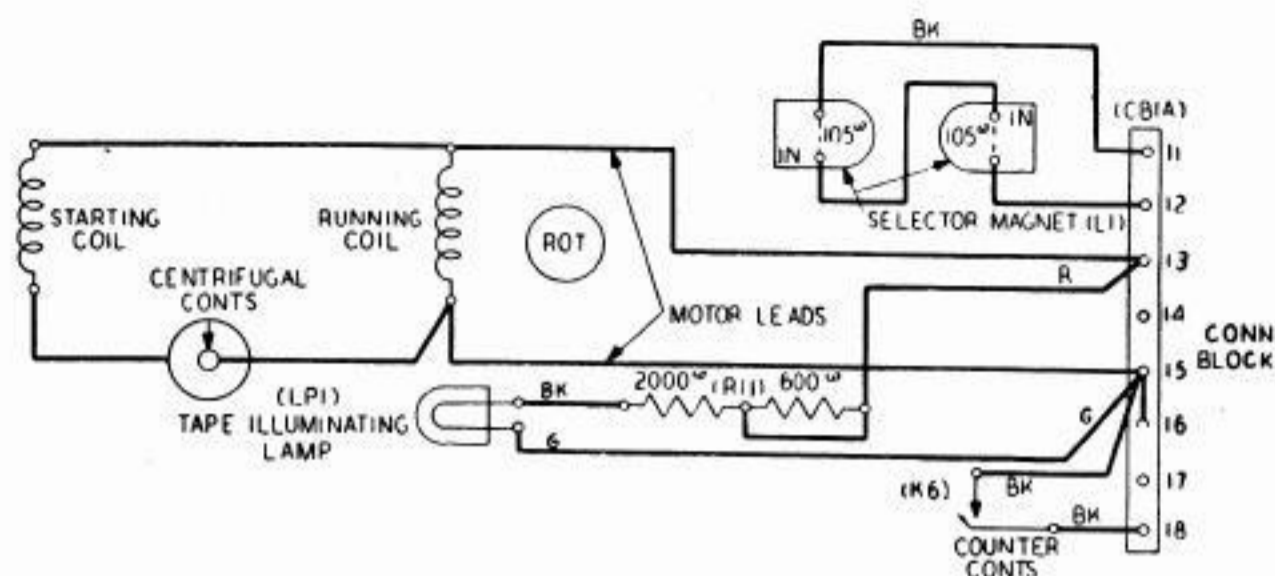


Fig. 21—Nos. 14-AU, 14-AW, 14-AY and 14-BA Typing Units (Synchronous Motor)

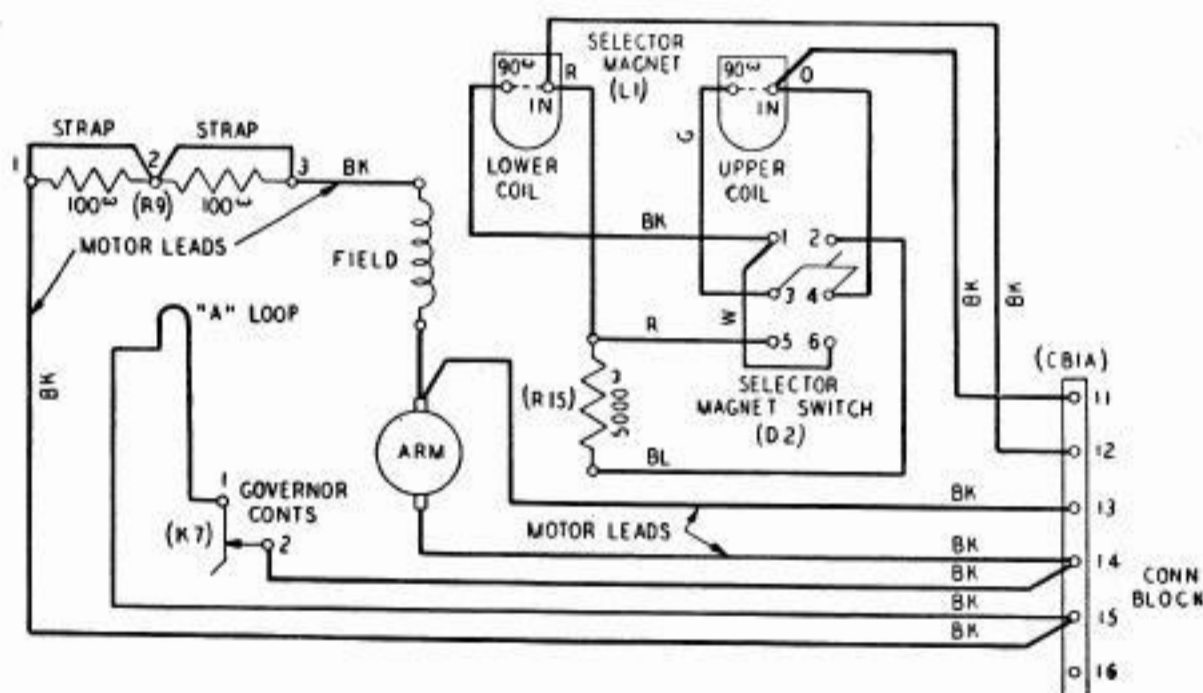
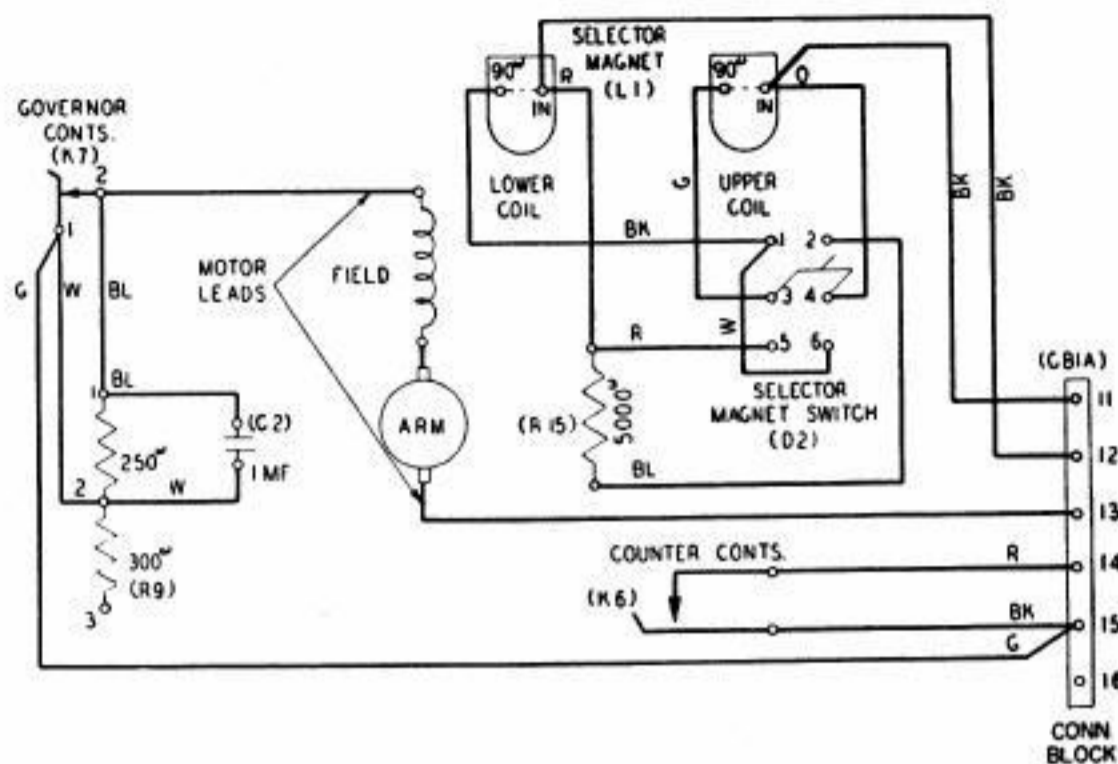
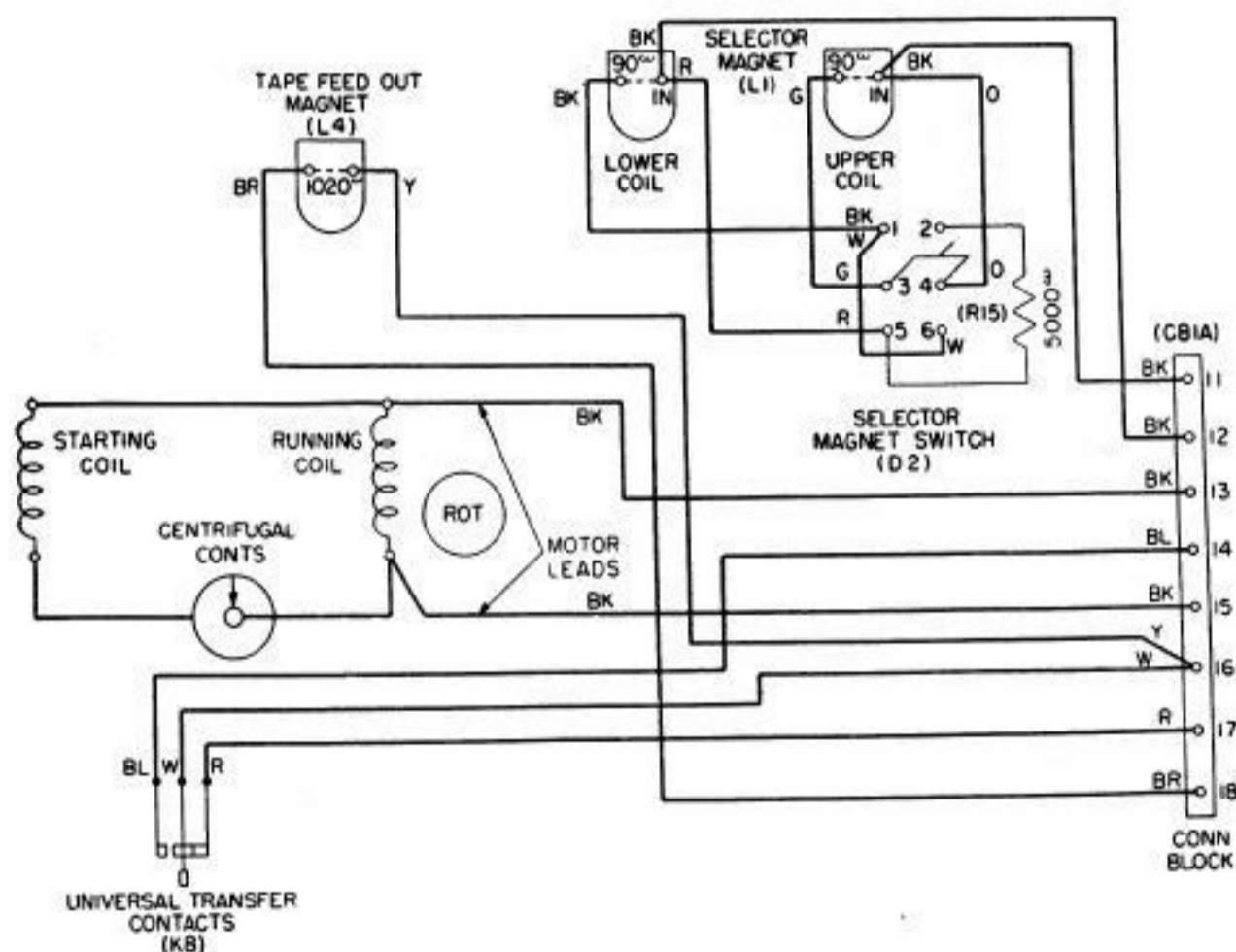


Fig. 22—Nos. 14-N, 14-R, 14-U and 14-W Typing Reperforator Units and Nos. 14-AJ, AK and AR Typing Units (D-C Shunt Motor)



**Fig. 23—Nos. 14-AM and 14-AN Typing Reperforator Units ←
and Nos. 14-AL and AM Typing Units
(A-C Series Motor)**



**Fig. 24—Nos. 14-AP and AR Typing Reperforator Units ←
(Synchronous Motor)**

3. BASES

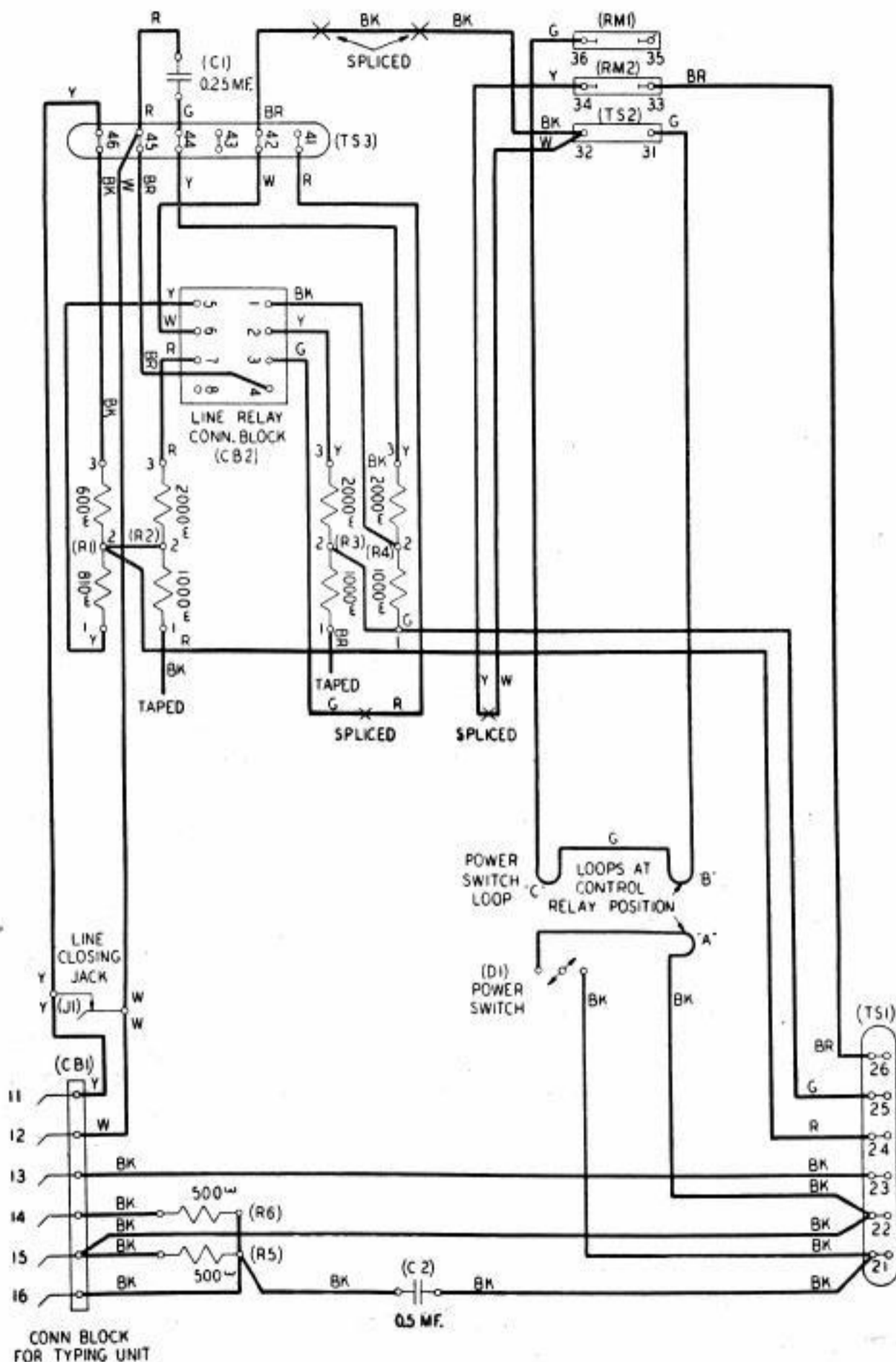


Fig. 25—Nos. 14-A and S Teletypewriter Bases and No. 14-N Typing Reperforator Base

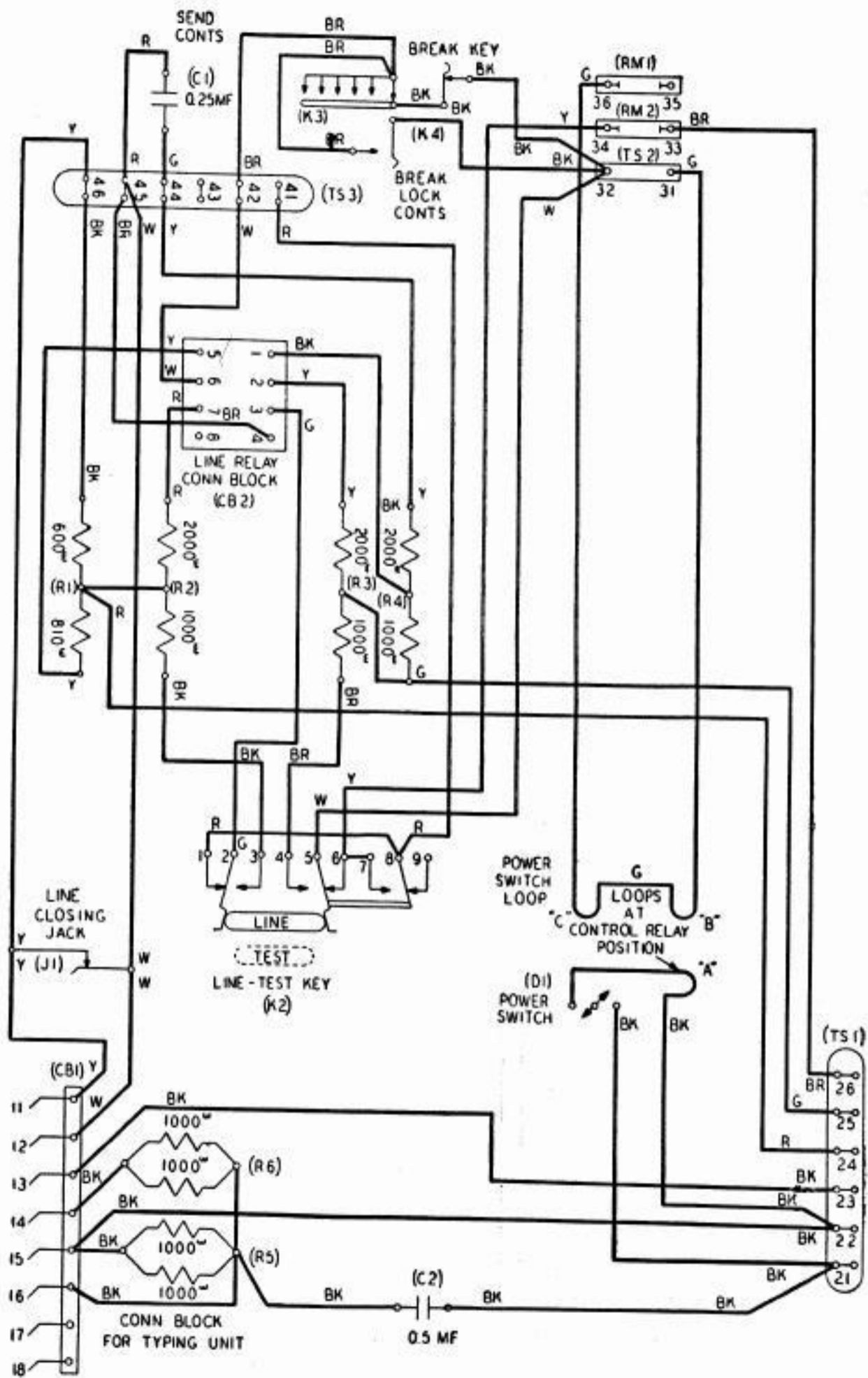


Fig. 27—No. 14-H Teletypewriter Base

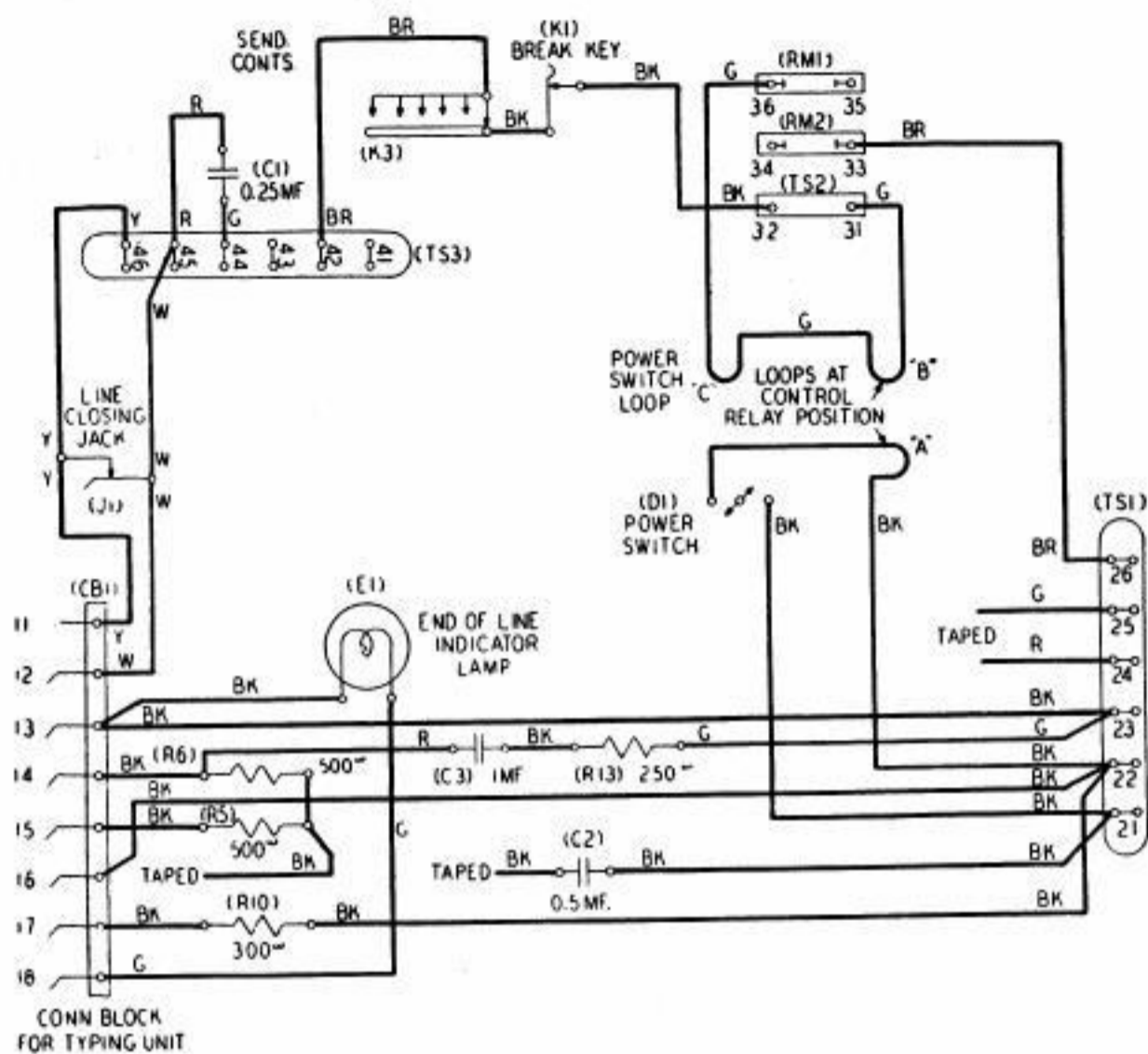


Fig. 28—No. 14-J Teletypewriter Base

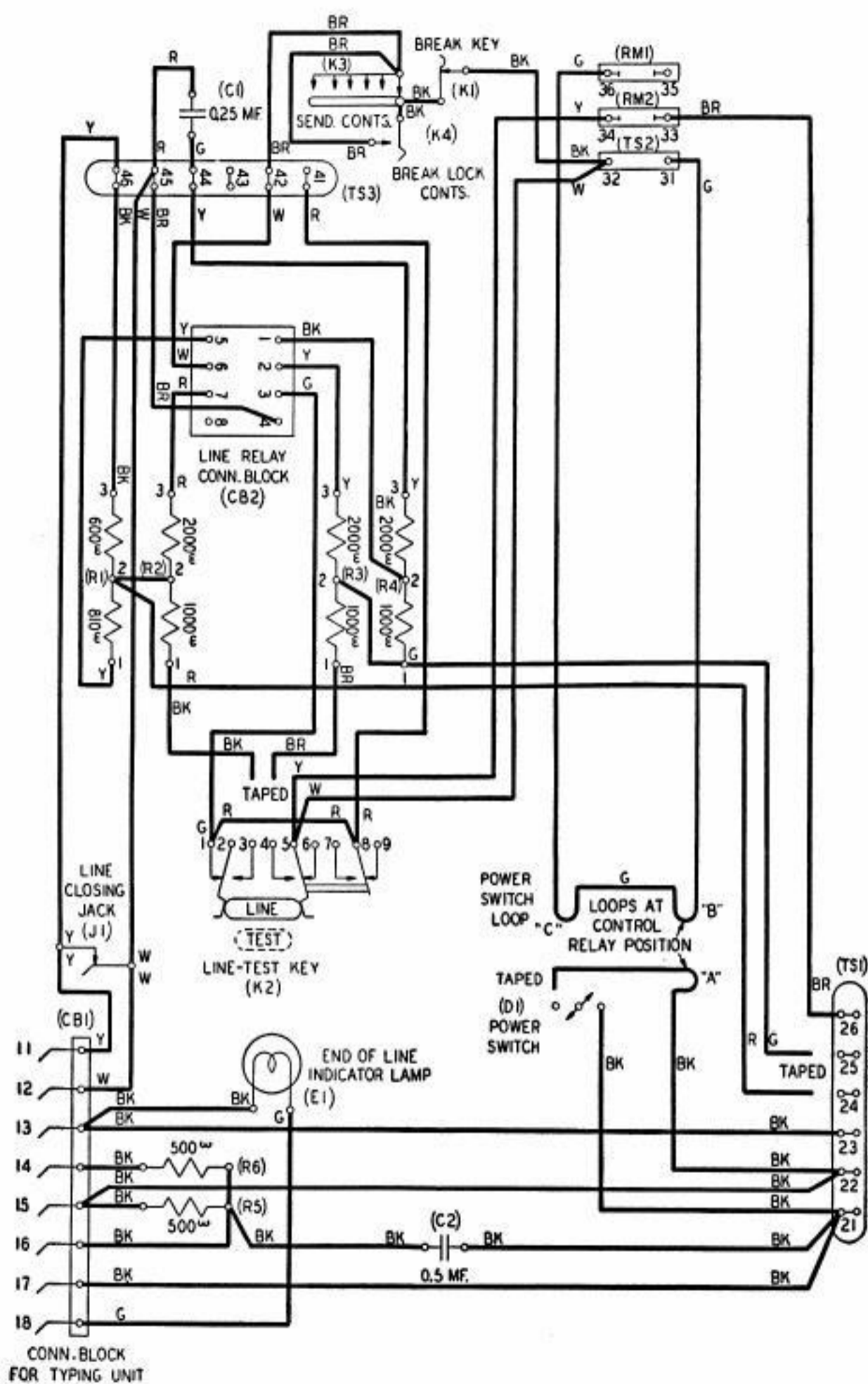


Fig. 29—No. 14-K Teletypewriter Base

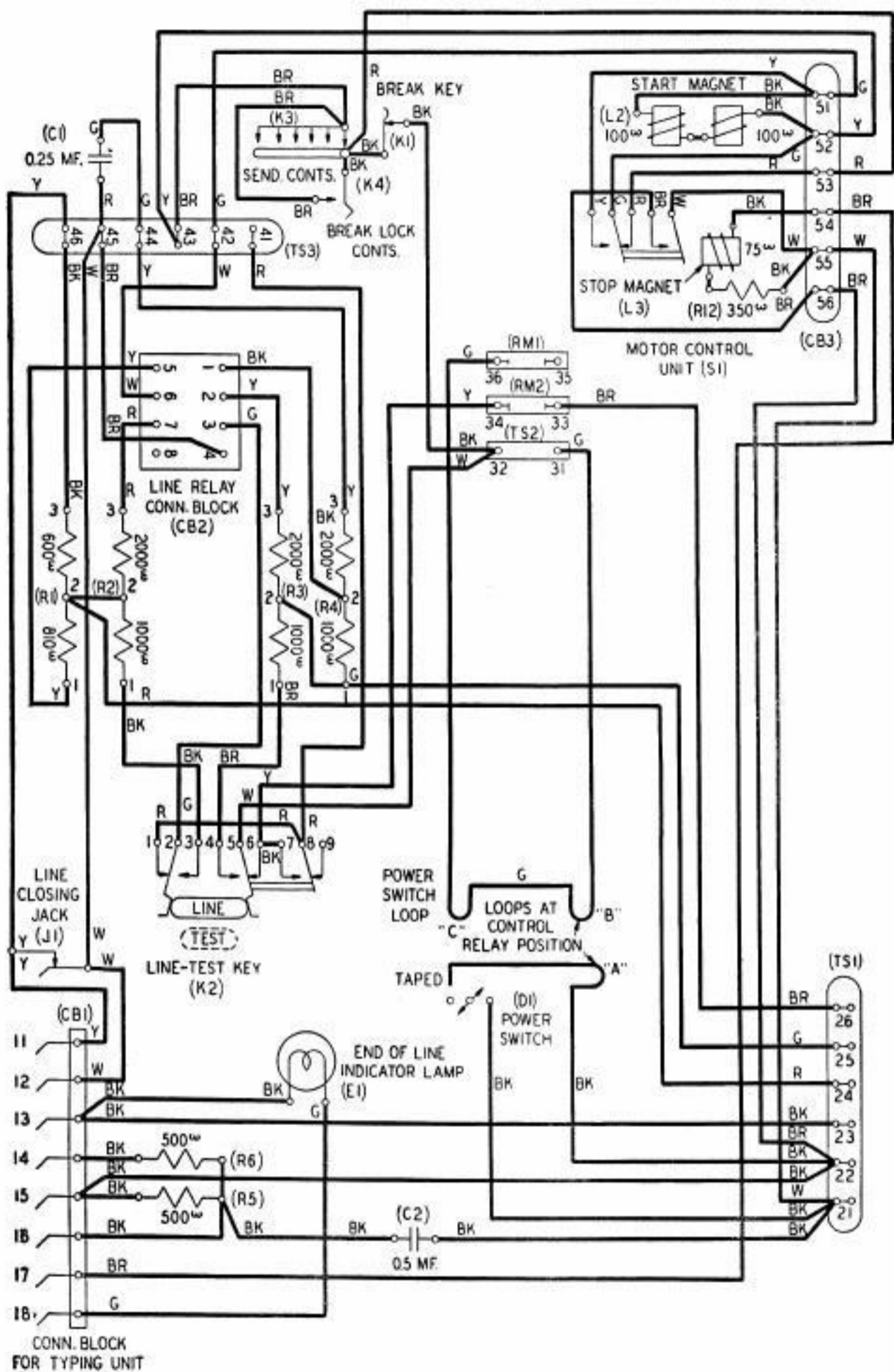


Fig. 30—No. 14-L Teletypewriter Base

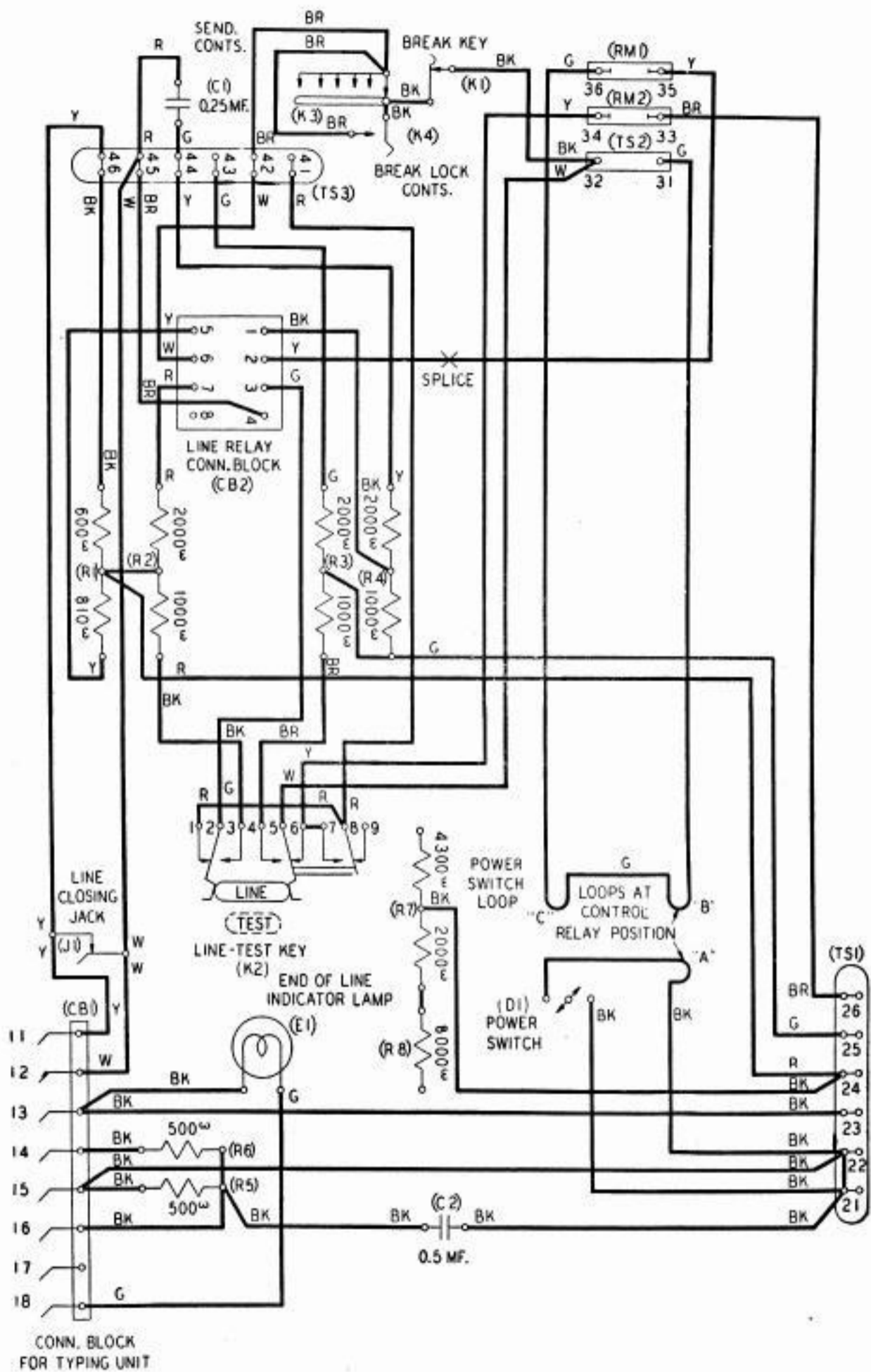


Fig. 31—No. 14-M Teletypewriter Base

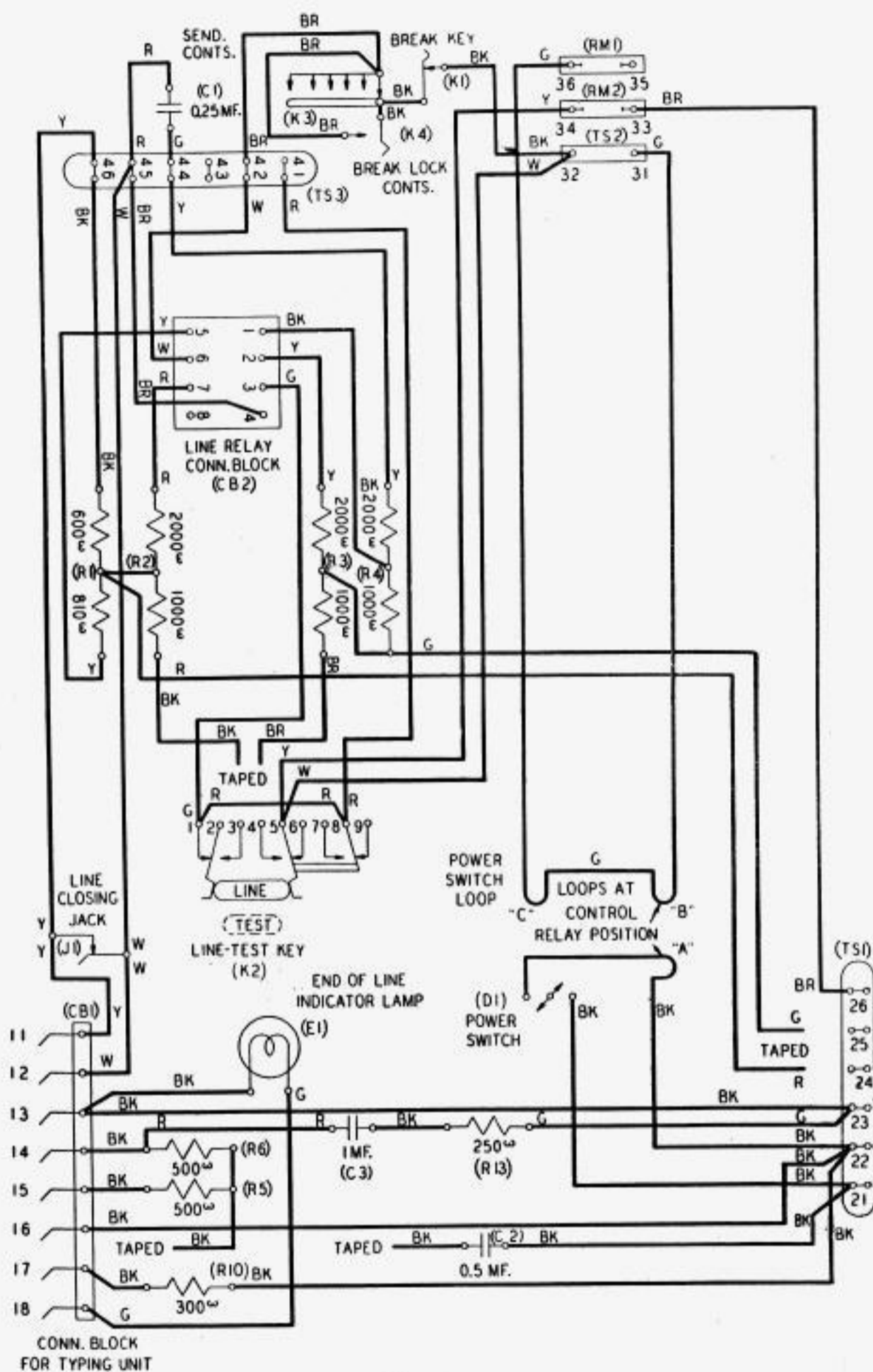


Fig. 32—Nos. 14-N and P Teletypewriter Bases

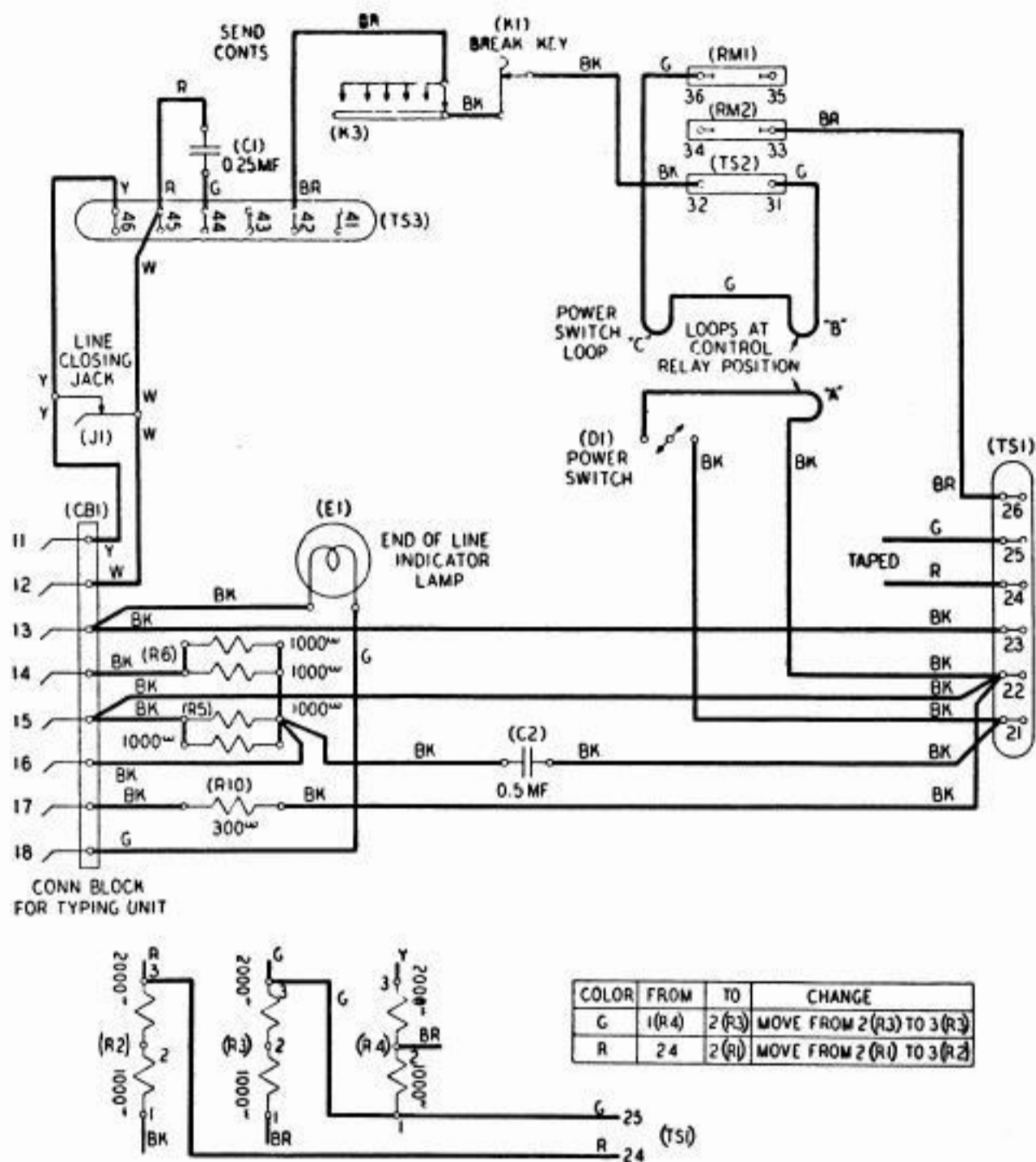


Fig. 33—No. 14-R Teletypewriter Base

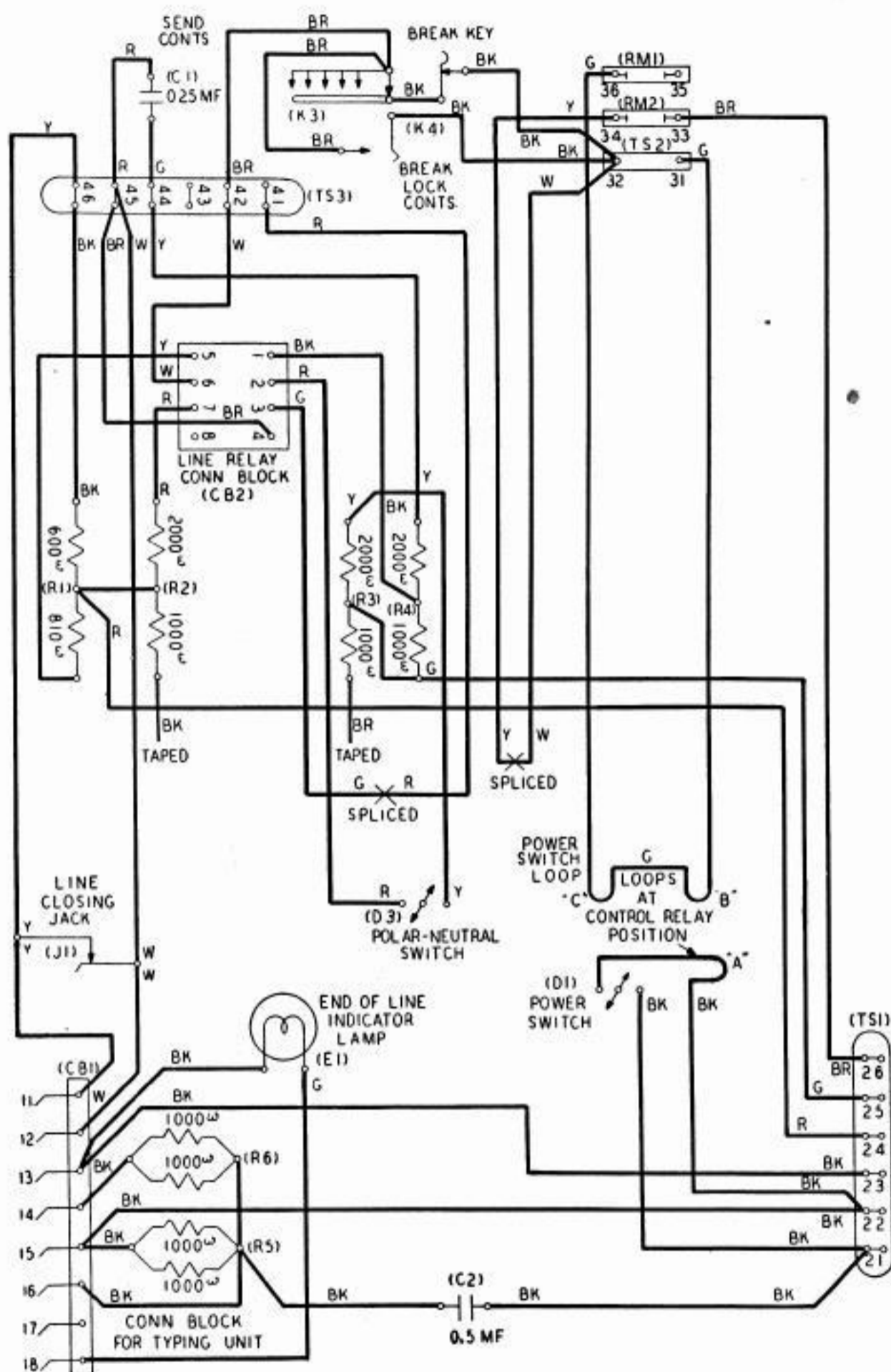


Fig. 34—No. 14-U Teletypewriter Base

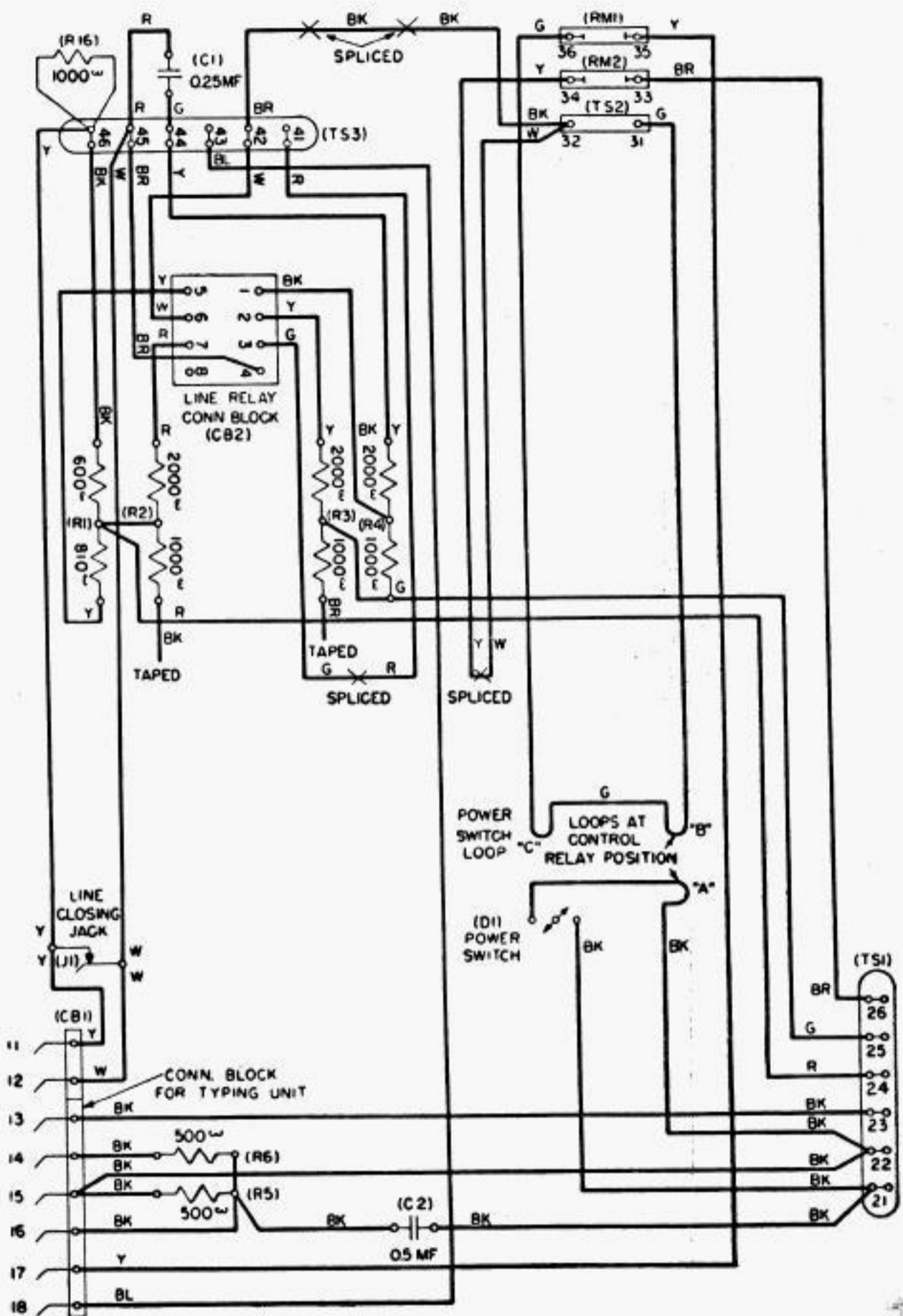


Fig. 36—No. 14-P Typing Reperforator Base

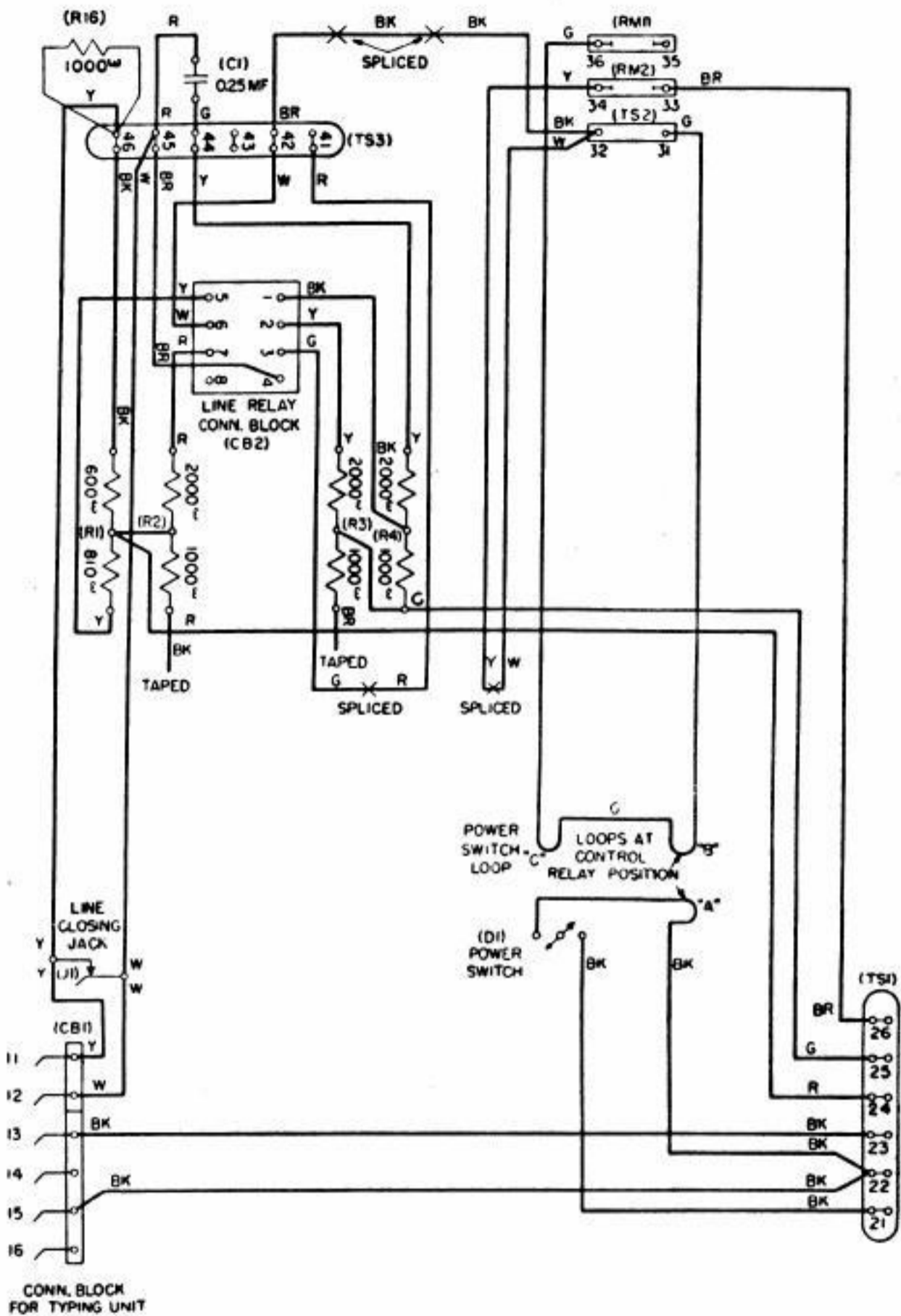


Fig. 37—No. 14-AB Typing Reperforator Base

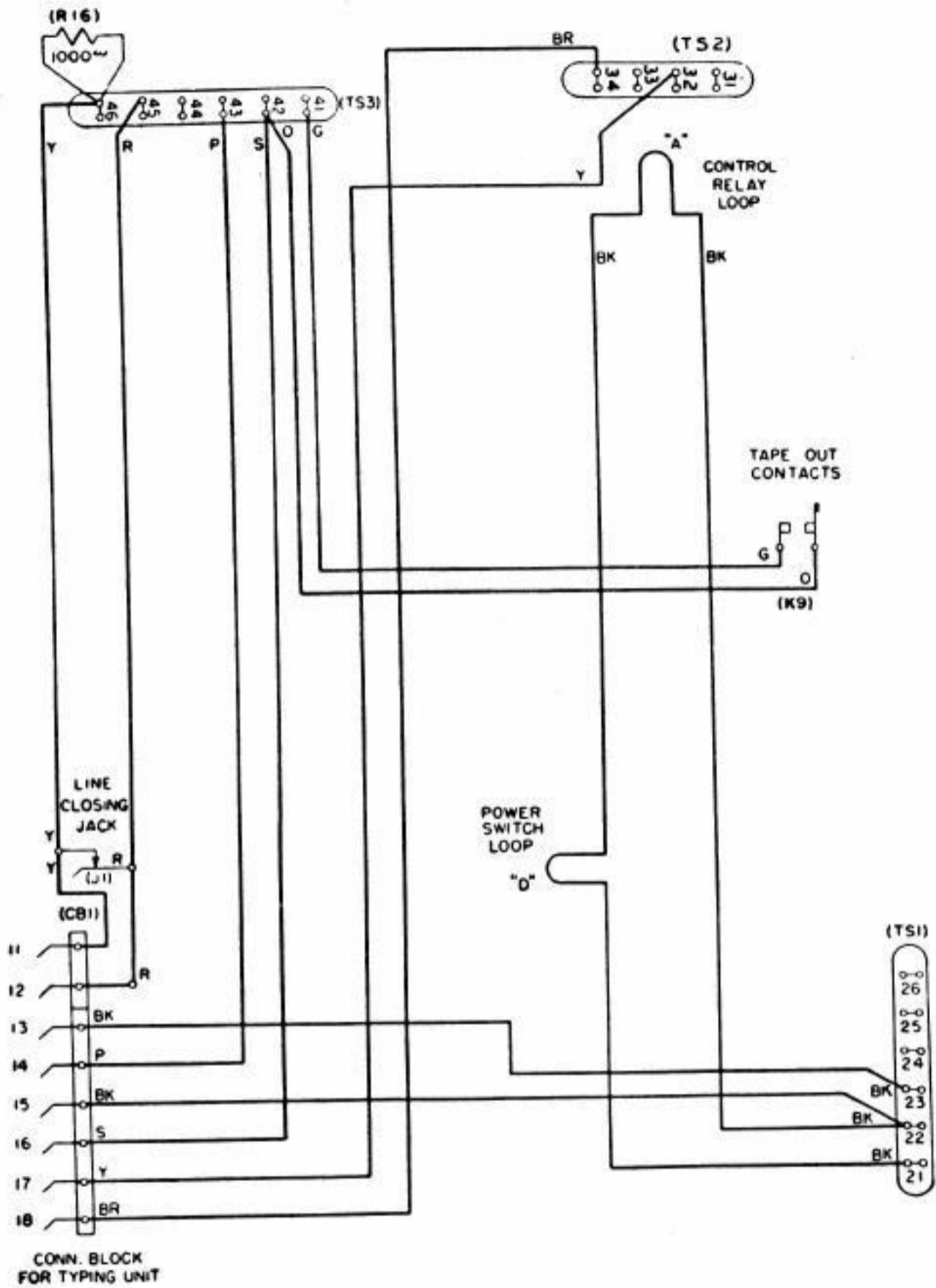


Fig. 38—Nos. 14-AD and 14-AE Typing Reperforator Bases

4. TYPICAL CIRCUITS

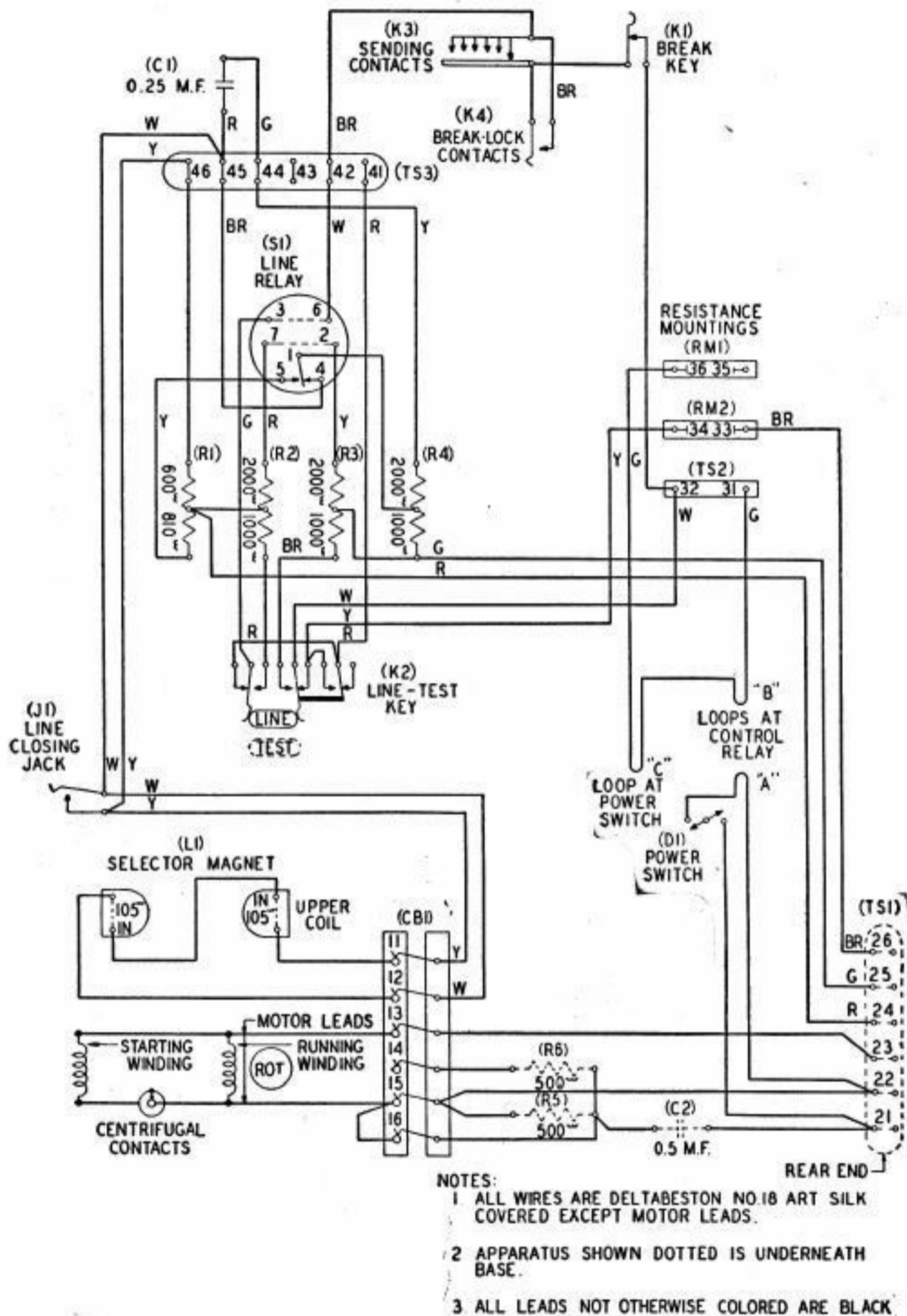


Fig. 39—No. 14-Type Teletypewriter—Typical Circuit (14-A Typing Unit, 14-B Base)