

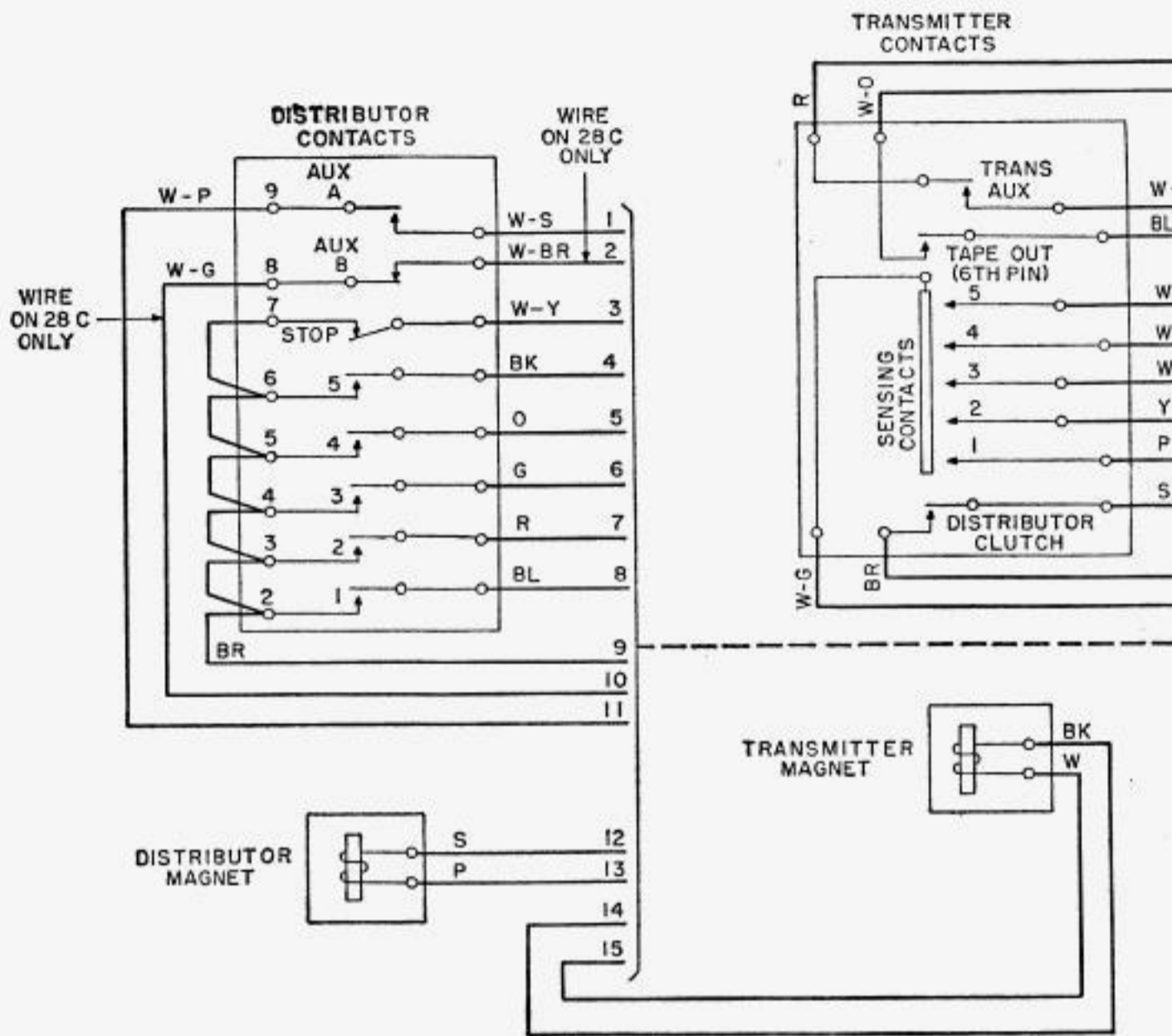
# **28-TYPE REPERFORATOR- TRANSMITTER SETS AND UNITS WIRING DIAGRAM**

## **1. GENERAL**

1.01 This section shows the wiring of the 28A, B, C, D and E reperforator-transmitter sets and the 28F and 28G reperforator-transmitter units. The 28F and 28G units differ from the 28-type sets in that they do not include a tape handling stand.

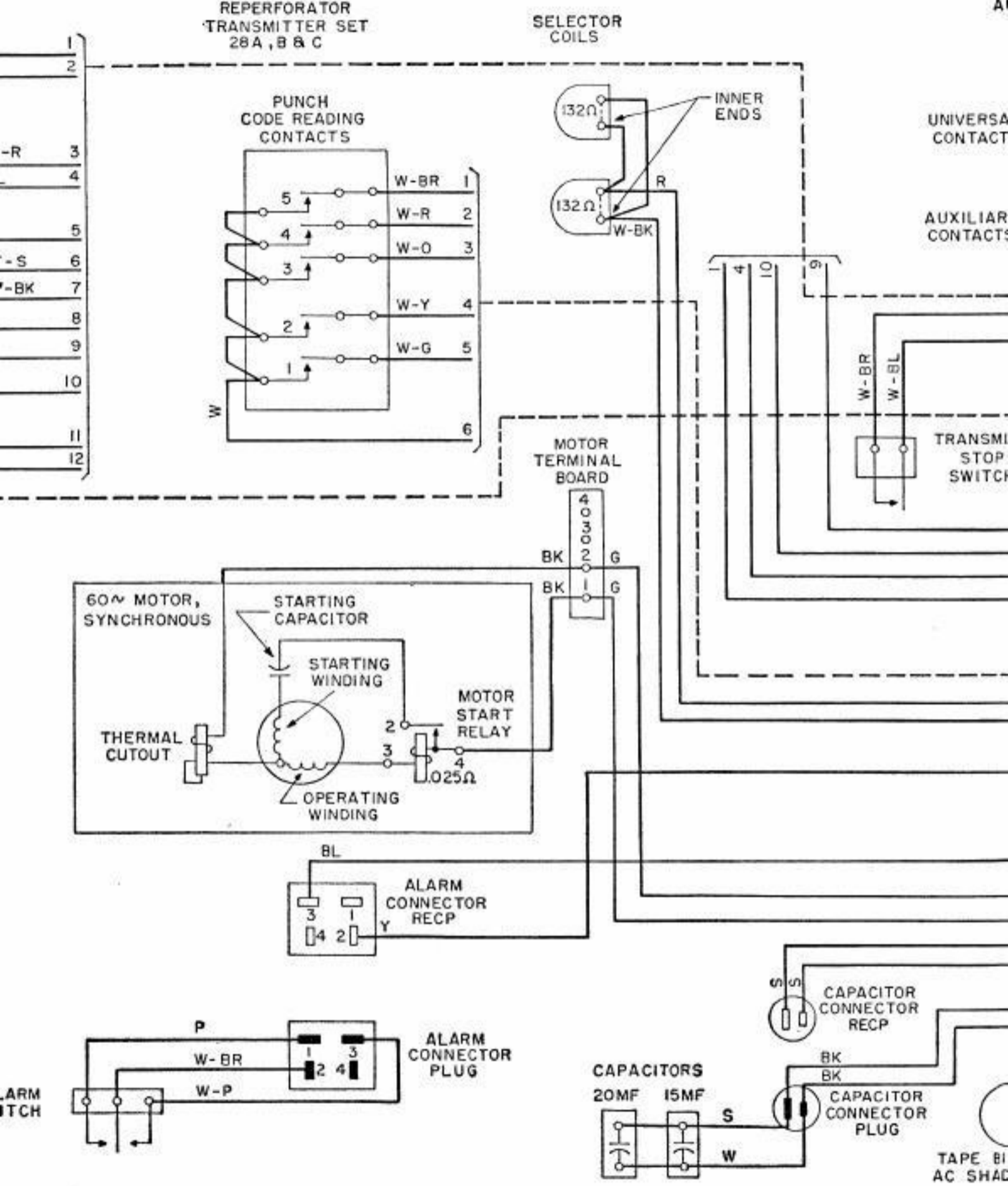
1.02 This section is reissued to include the wiring of the 28G reperforator-transmitter unit.





AL  
SW

**FIG. 1**  
**REPERFORATOR**  
**TRANSMITTER SET**  
**28A, B & C**



**28A, B, and C Reperforator-Transmitter Sets**

FIG. A

AUXILIARY CONTACTS  
FOR 28B & 28C  
REPERFORATOR  
TRANSMITTER  
SETS

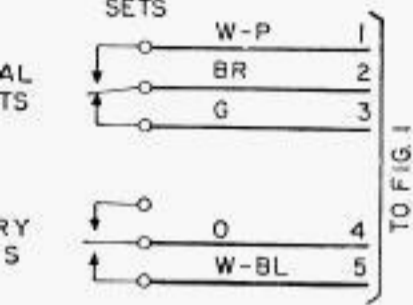
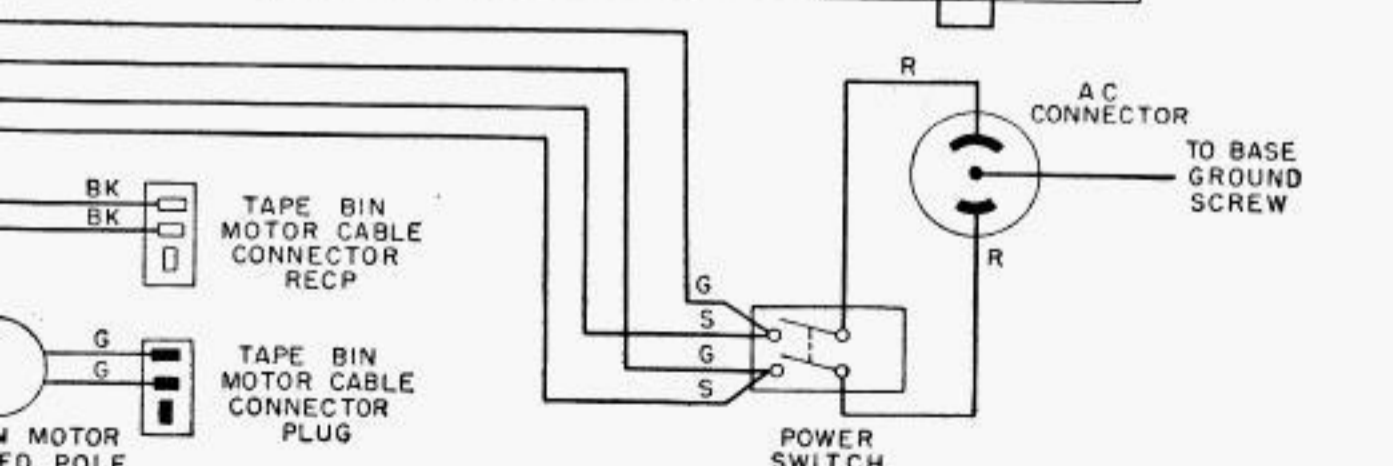
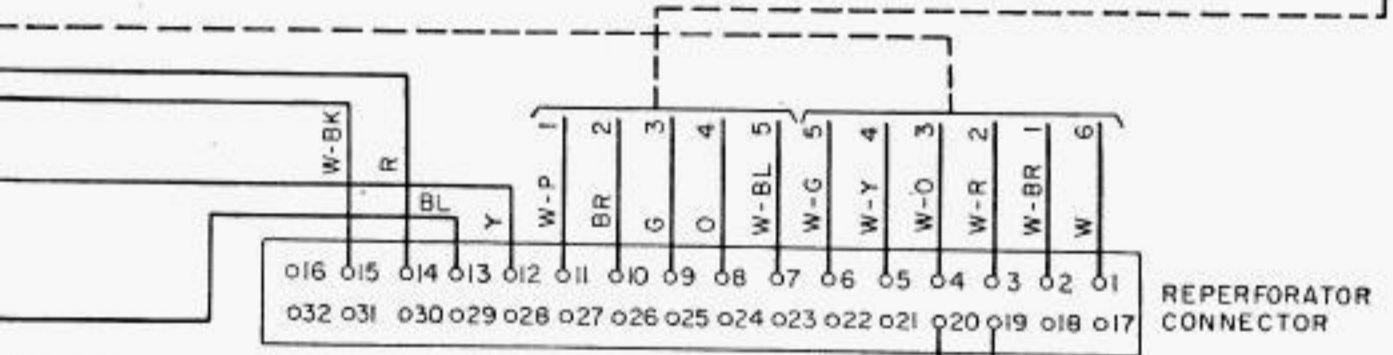
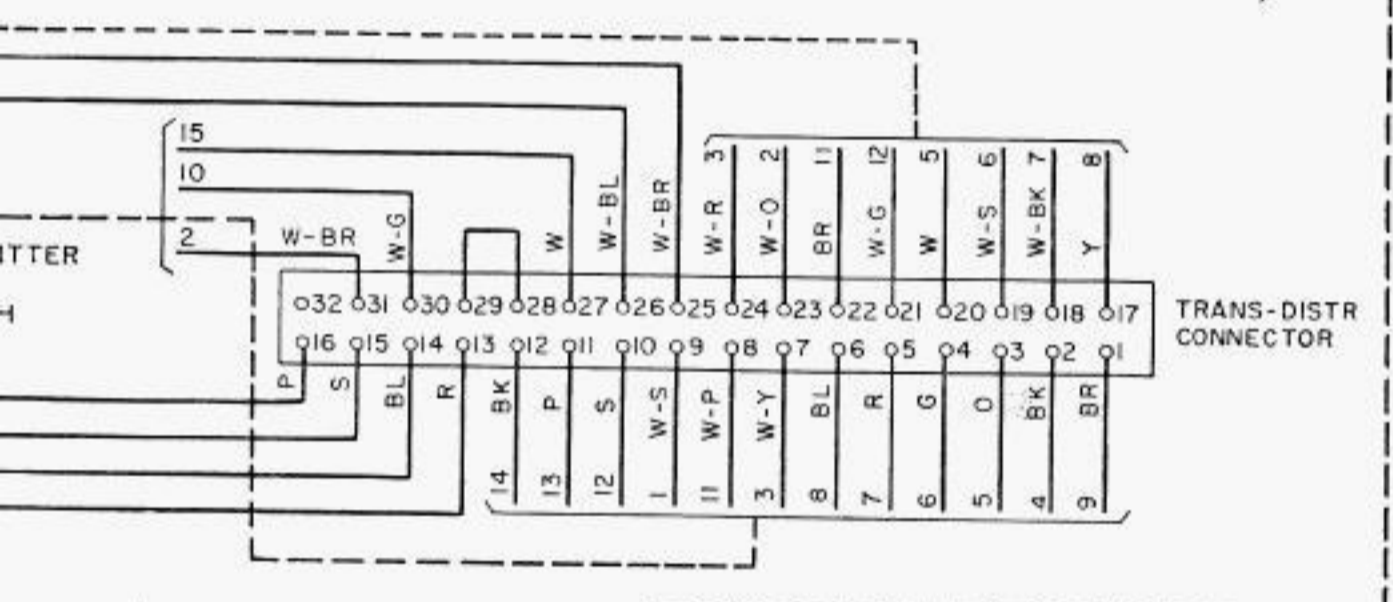
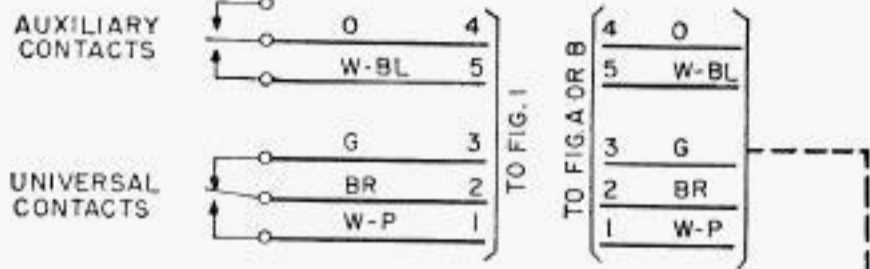
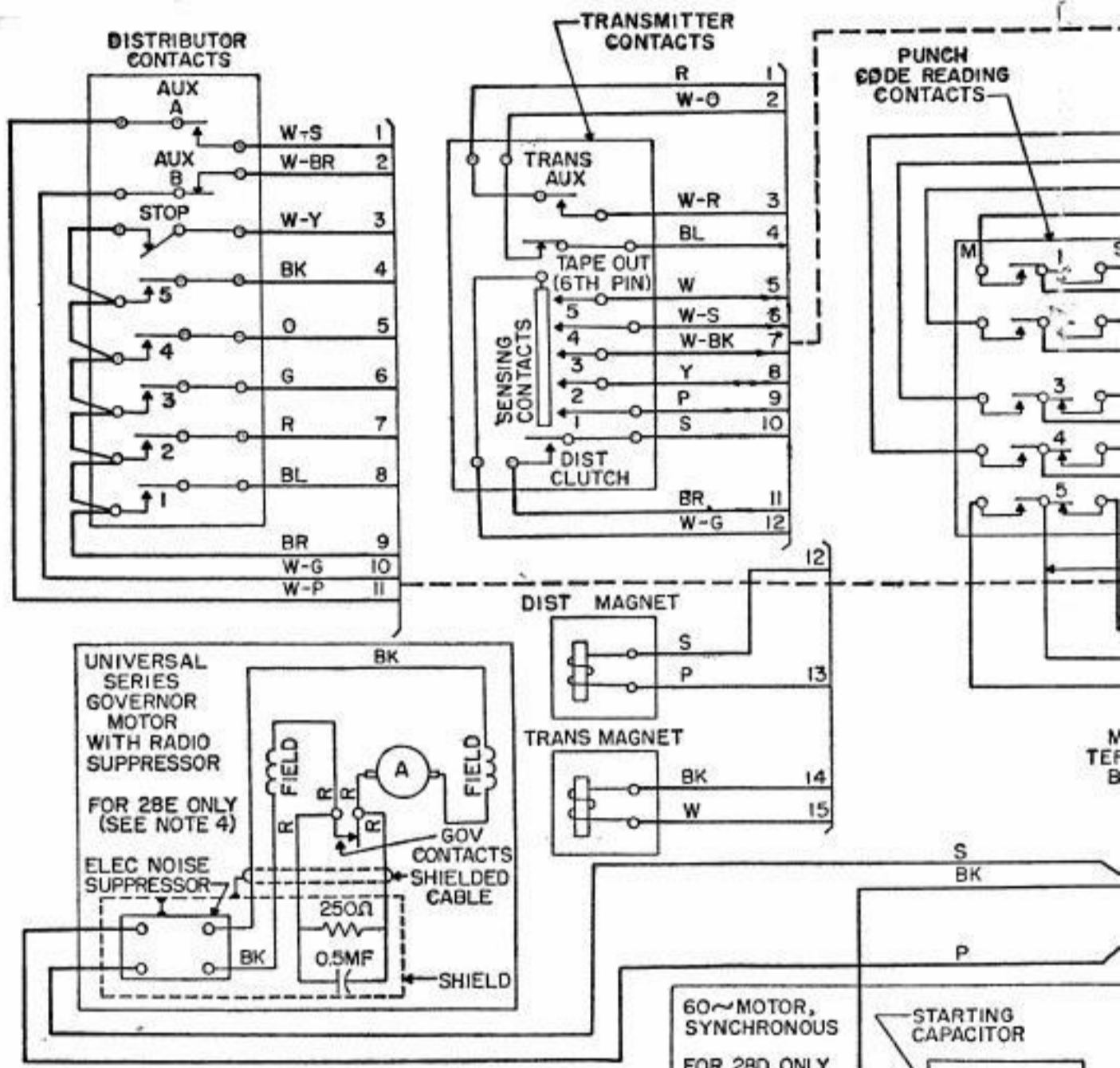


FIG. B

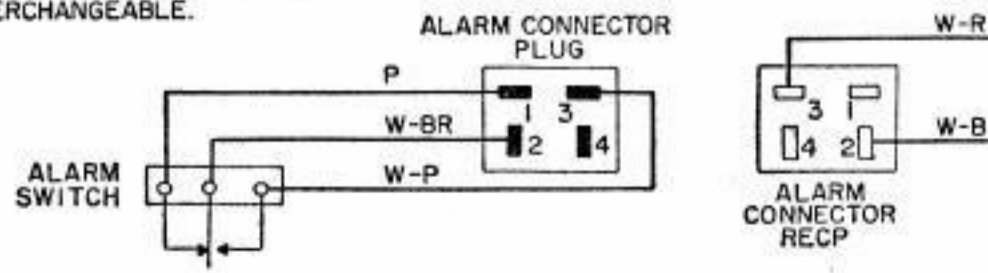
AUXILIARY CONTACTS  
FOR 28A  
REPERFORATOR  
TRANSMITTER  
SET

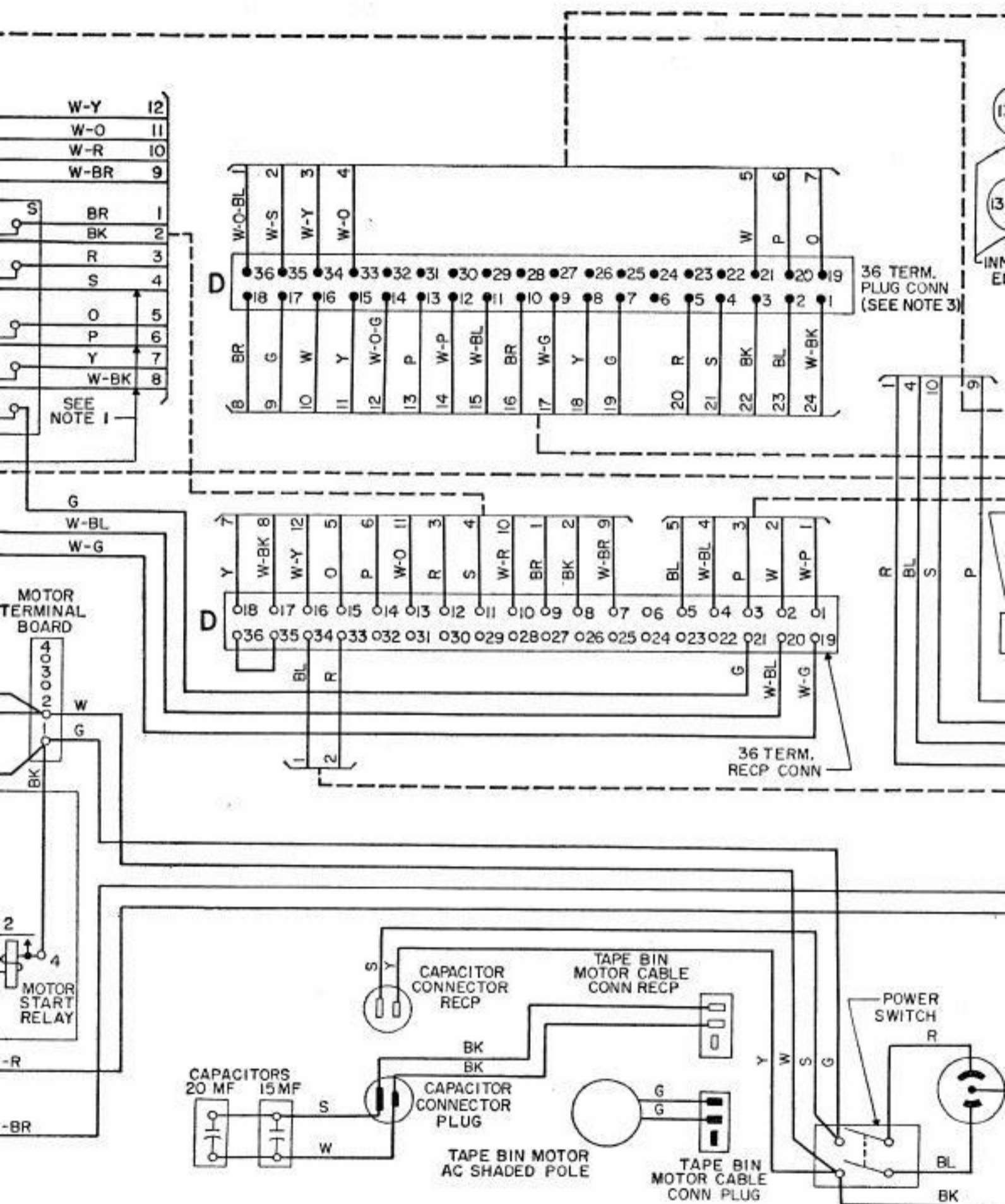






- NOTES:**
1. WIRES TO BE TIED IN CABLE.
  2. FOR 20 OR 30 MA OPERATION CONNECT SELECTOR MAGNETS AS SHOWN IN FIG. A.
  3. 36 TERMINAL PLUG CONNECTOR MATES WITH 36 TERMINAL RECP CONNECTOR.
  4. MOTOR LEADS OF SAME COLOR ON UNIVERSAL SERIES MOTOR ARE INTERCHANGEABLE.





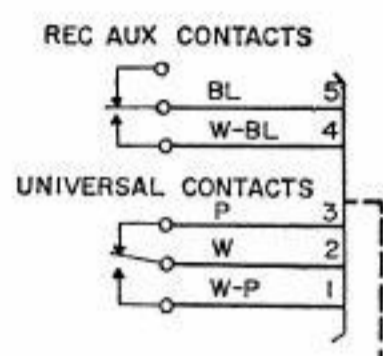
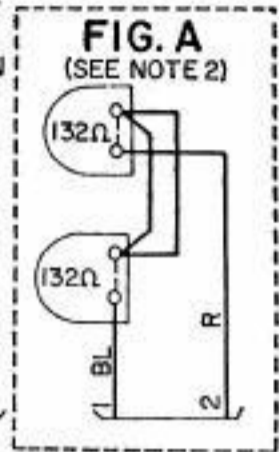
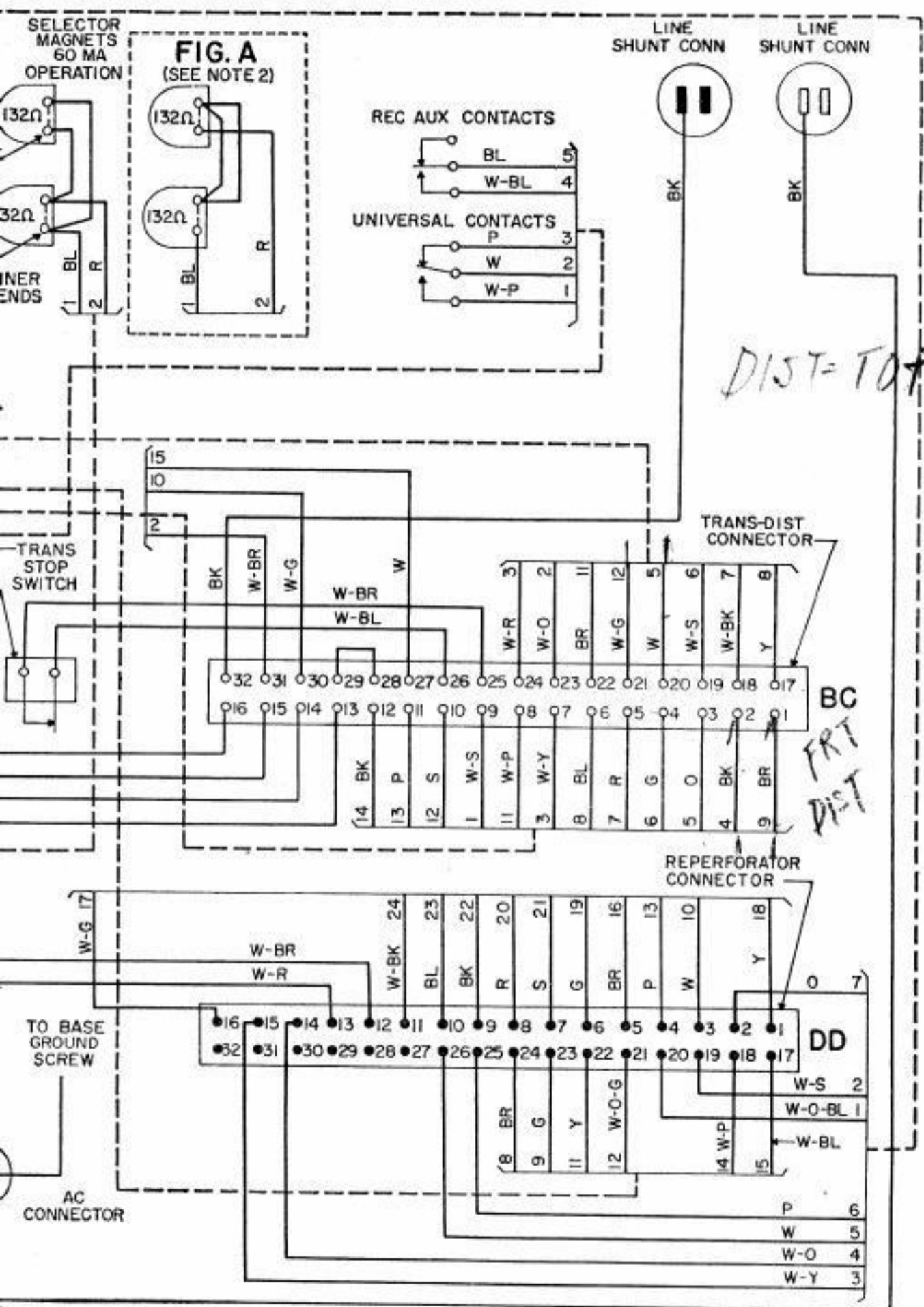
## 28D and E Reperforator-Transmitter Sets

28-TYPE  
REPERF.-  
TRANS.  
WIRING  
DIAGRAM

P34.305

Page 3





*DIST=TOP*

1  
2  
3  
4  
5  
37  
B  
A

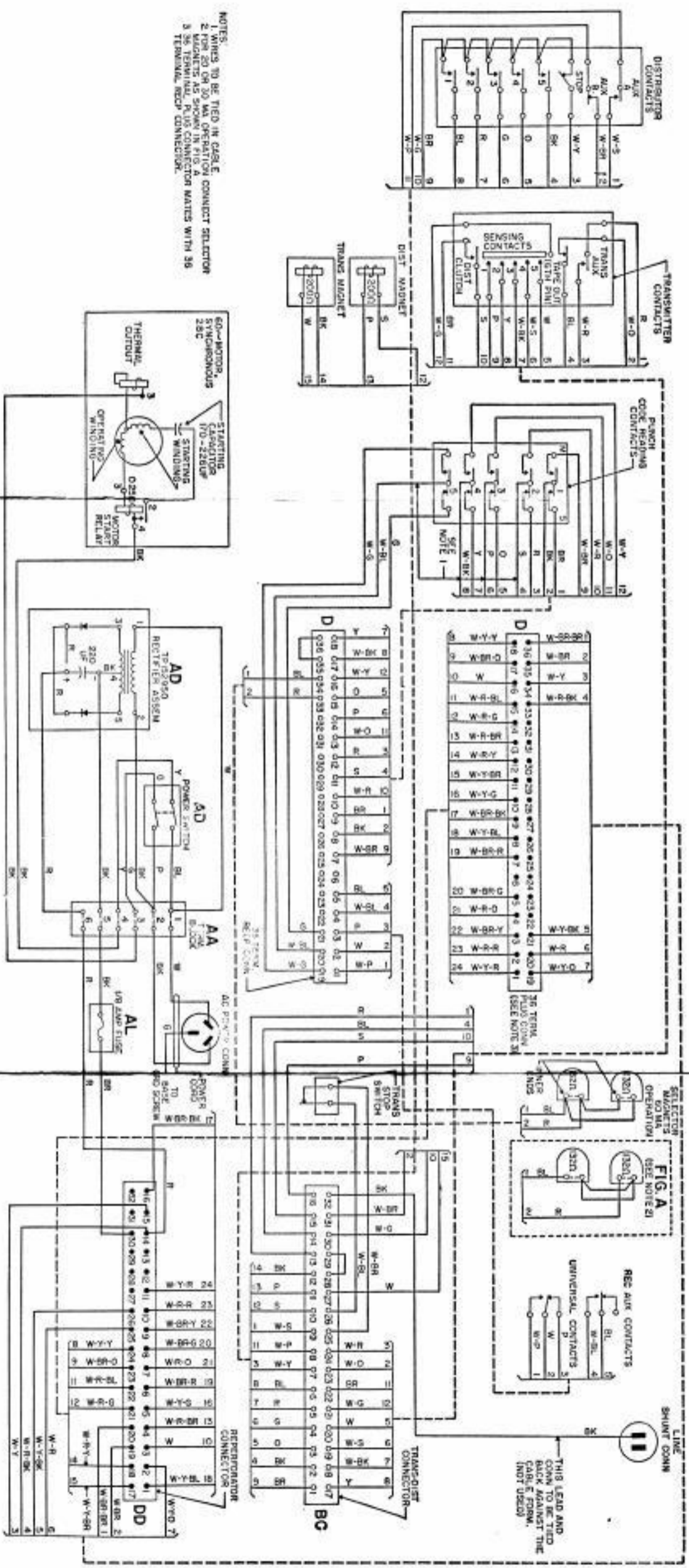
*BC  
FRT  
DIST*

*BOTT.  
FRT  
TRANS*

CL  
1  
2  
3  
4  
5  
TO  
A

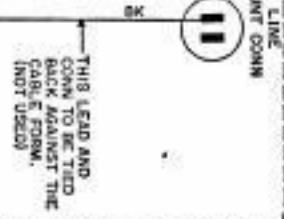
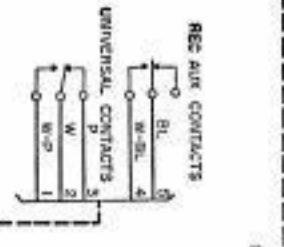
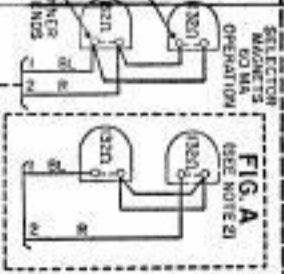
11 2 13 4 5  
16 17 18 19 20

*SFL.*

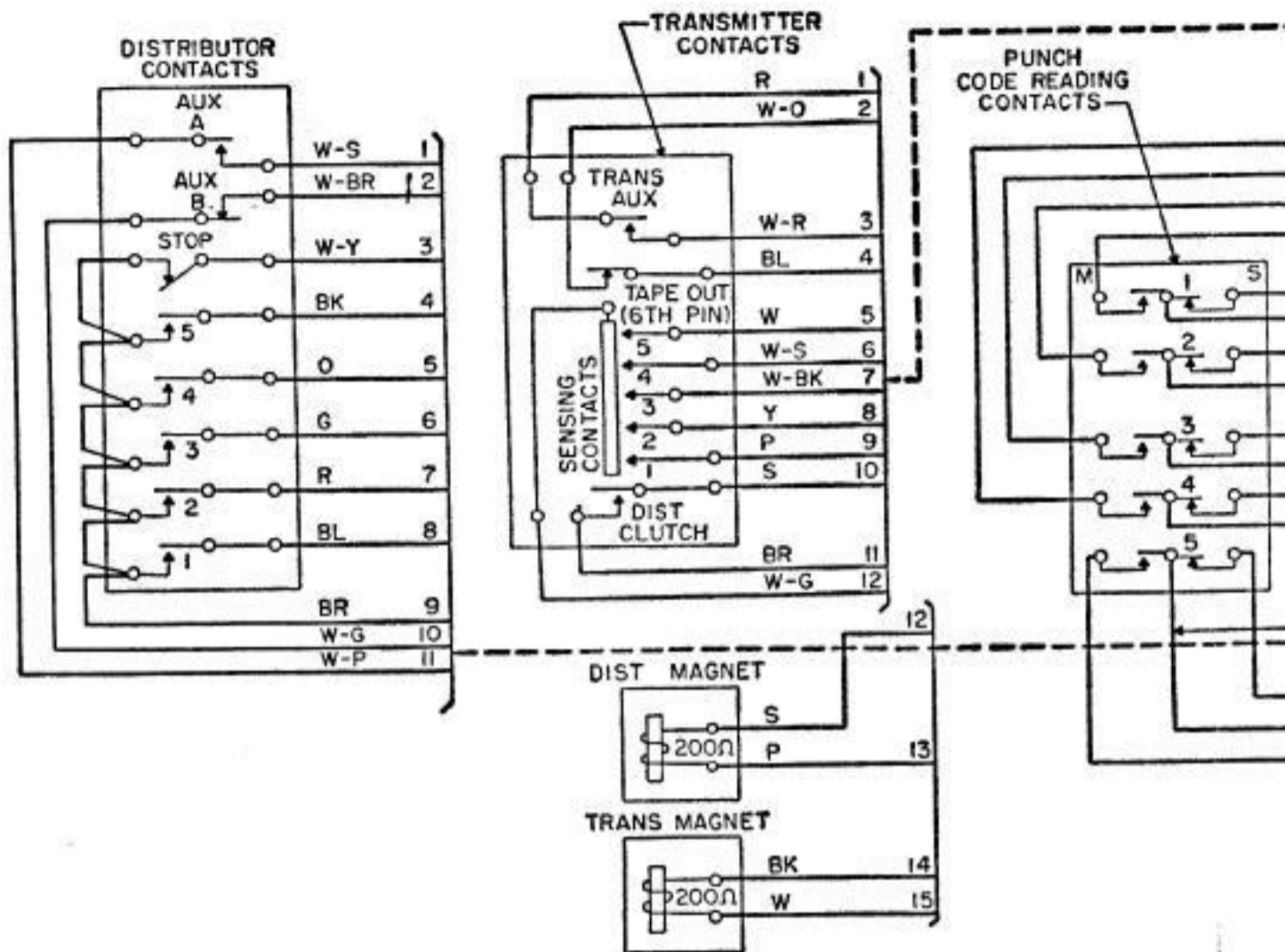


- NOTES:
1. WIRES TO BE TIED IN GABLE
  2. PIN 20 ON 20 MA OPERATION CONNECT SELECTOR MAGNETS AS SHOWN IN FIG. A
  3. 25 TERMINAL PUNCH CONNECTION MATES WITH 26 TERMINAL RECP CONNECTION.

28F Reperfator-Transmitter Unit

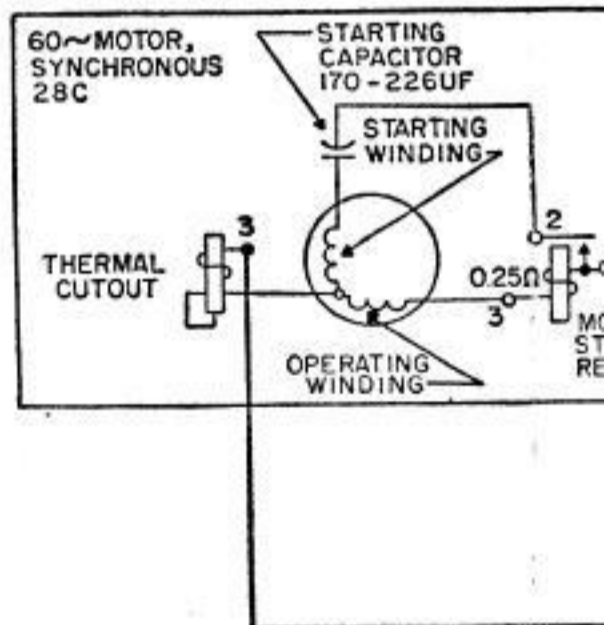


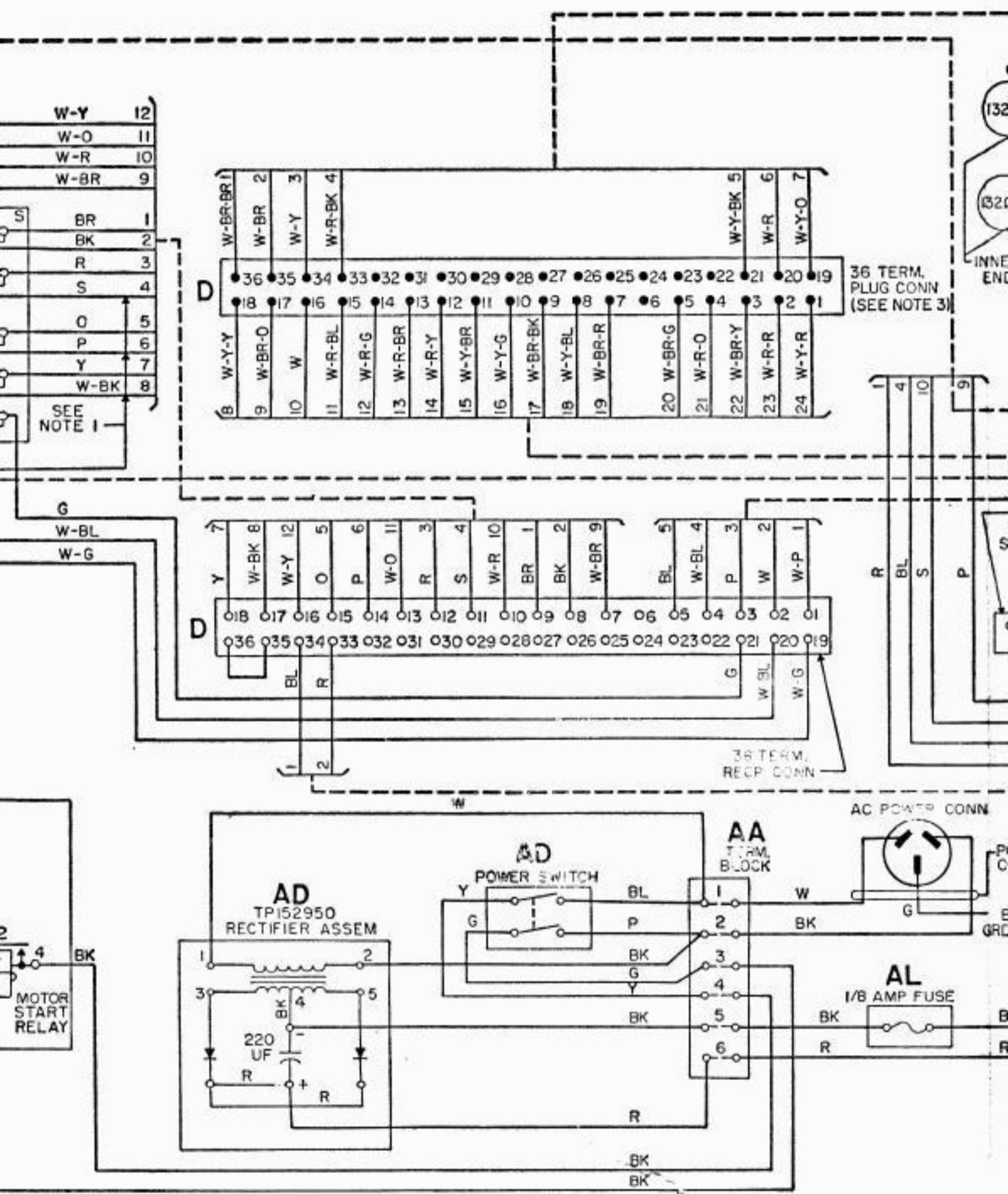
THIS LEAD AND COIL TO BE TIED BACK AGAINST THE CABLE FORM. (NOT USED)



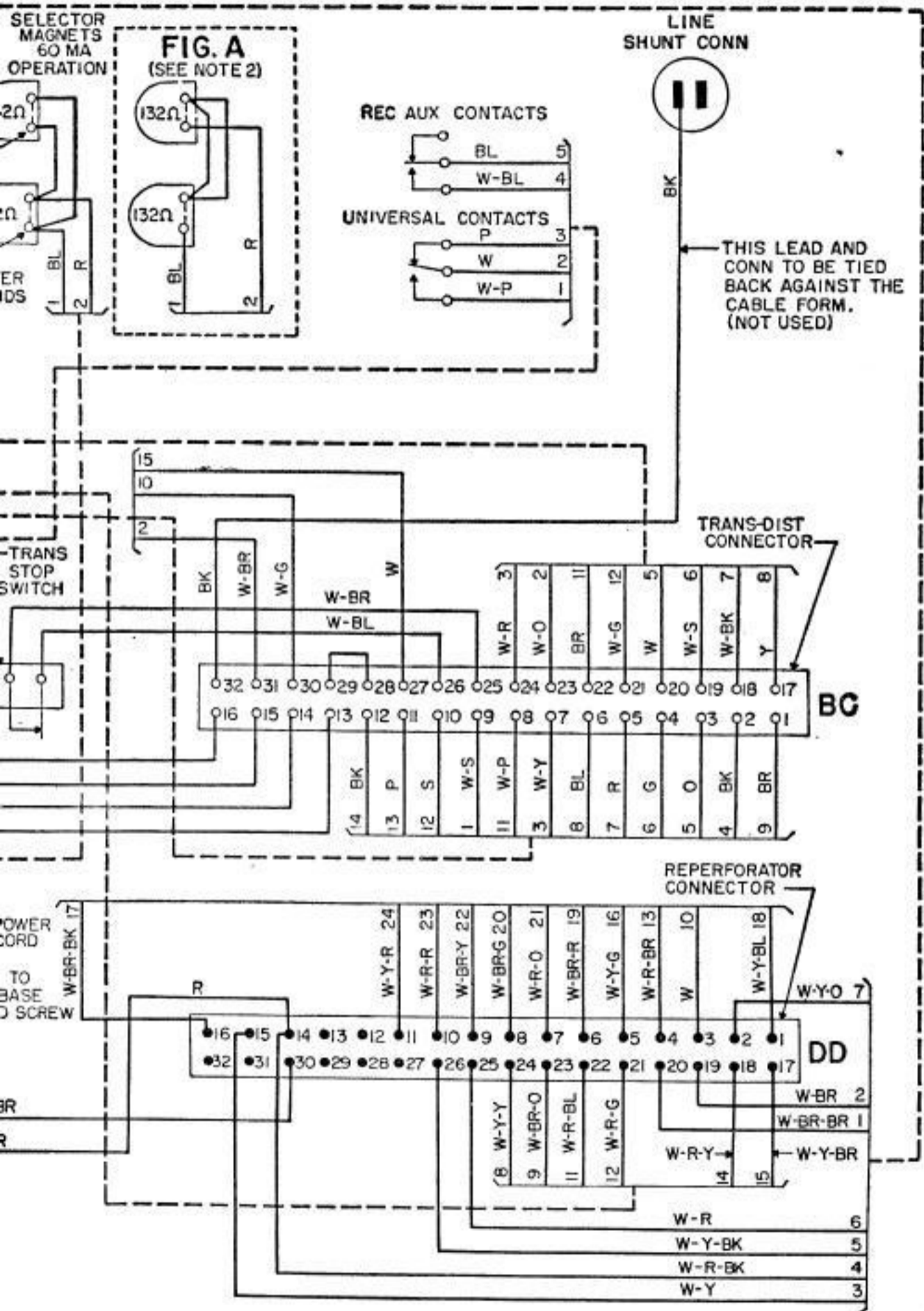
**NOTES:**

1. WIRES TO BE TIED IN CABLE.
2. FOR 20 OR 30 MA OPERATION CONNECT SELECTOR MAGNETS AS SHOWN IN FIG. A
3. 36 TERMINAL PLUG CONNECTOR MATES WITH 36 TERMINAL RECP CONNECTOR.



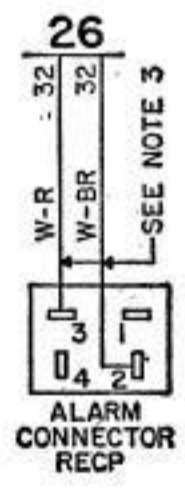
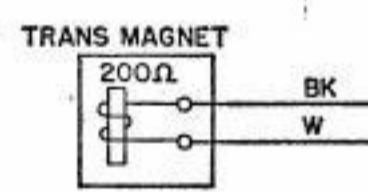
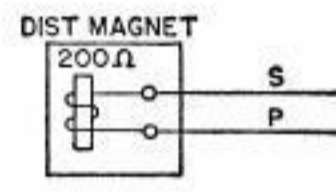
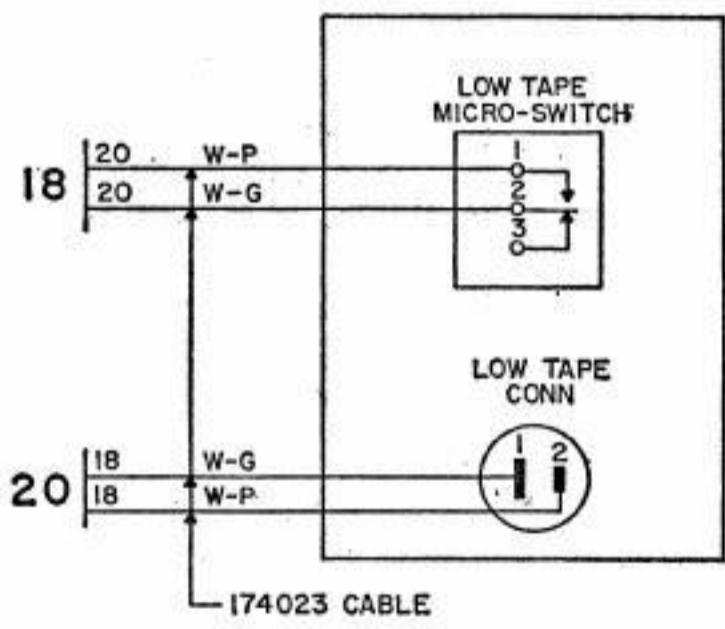
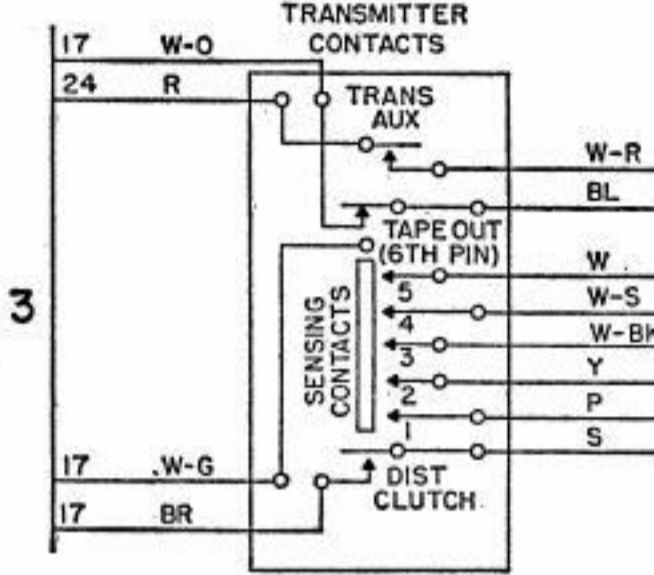
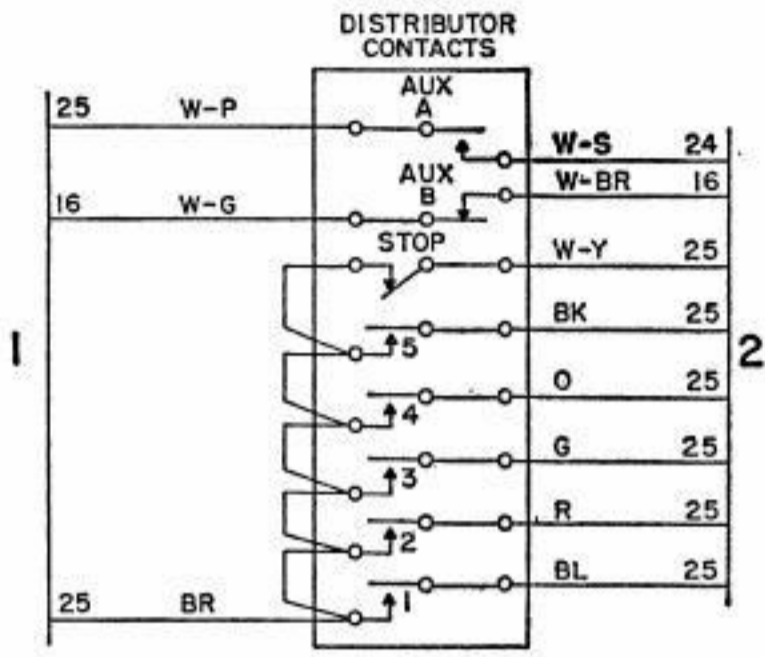


28F Reperforator-Transmitter Unit



1  
2  
3  
4  
5  
250  
30



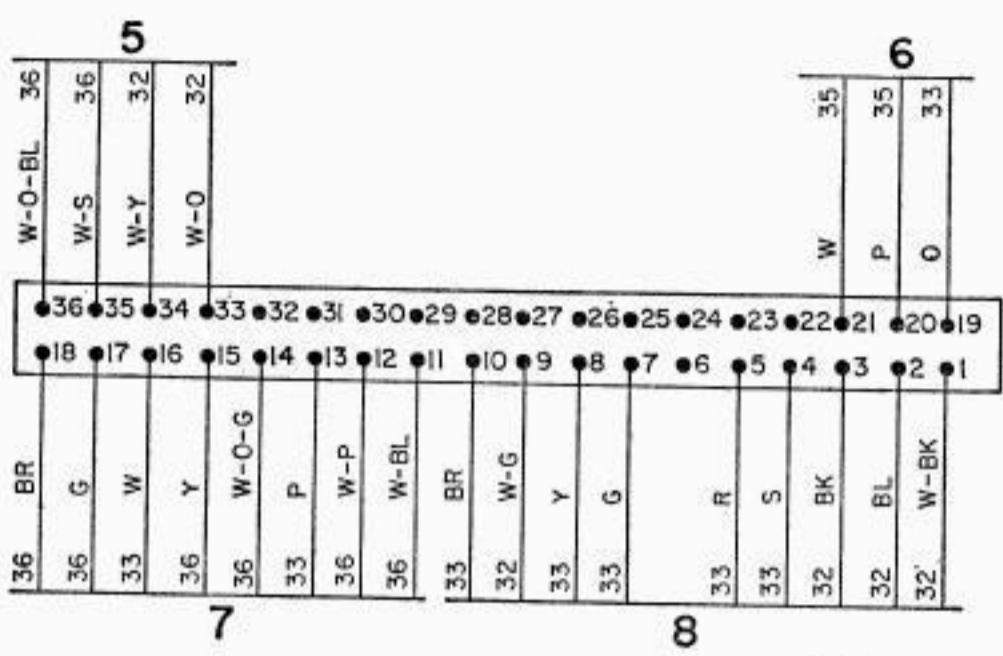


- NOTES:
1. FOR 20 OR 30MA OPERATION CONNECT SELECTOR MAGNETS AS SHOWN IN FIG. A.
  2. 36 TERMINAL PLUG CONNECTOR MATES WITH 36 TERMINAL RECP CONNECTOR.
  3. RECEPTACLE TO BE TIED OUT OF THE WAY AS IT IS NOT USED FOR THIS APPLICATION.
  4. THESE WIRES ARE NOT USED. LINE SHUNT CONNECTORS SHOULD BE PARTED AND TIED OUT OF THE WAY.

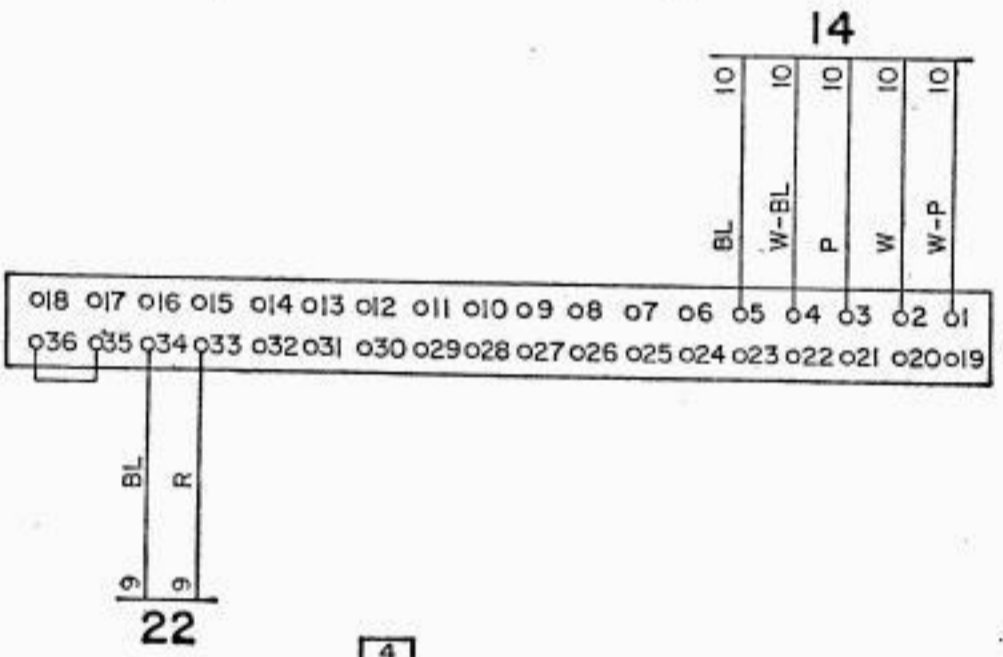
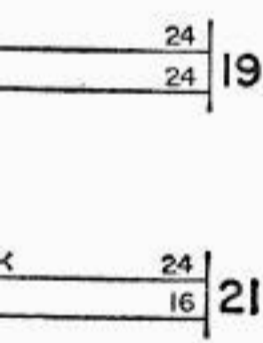
60V  
SYN  
S  
V  
THE  
CL

W-R	17
BL	24
W	17
W-S	17
W-BK	17
	17
	24
	24

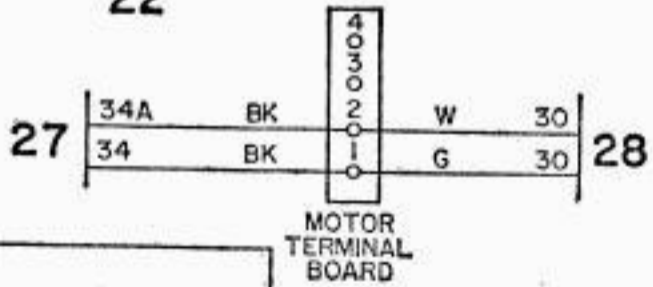
4



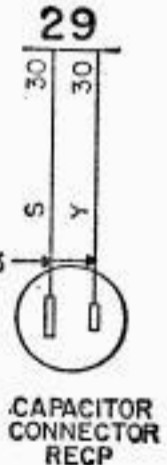
D  
36 TERM.  
PLUG CONN  
(SEE NOTE 2)



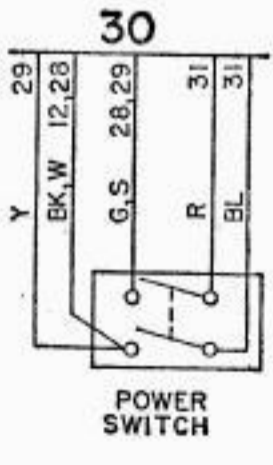
D  
36 TERM.  
RECP CONN



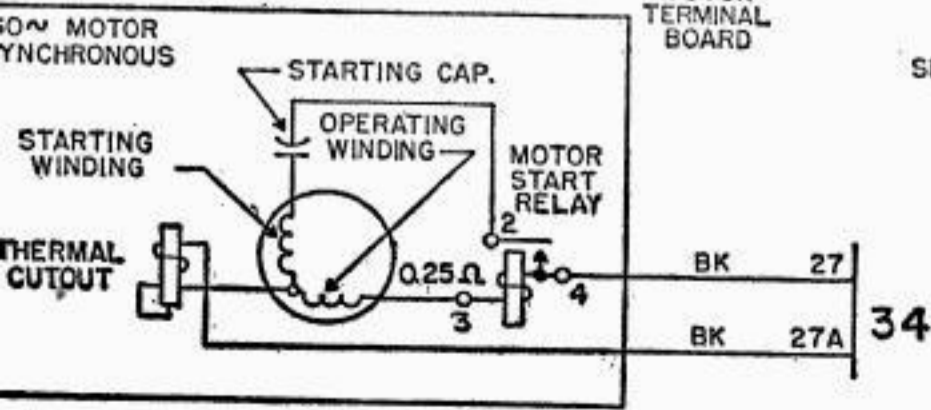
MOTOR  
TERMINAL  
BOARD



.CAPACITOR  
CONNECTOR  
RECP



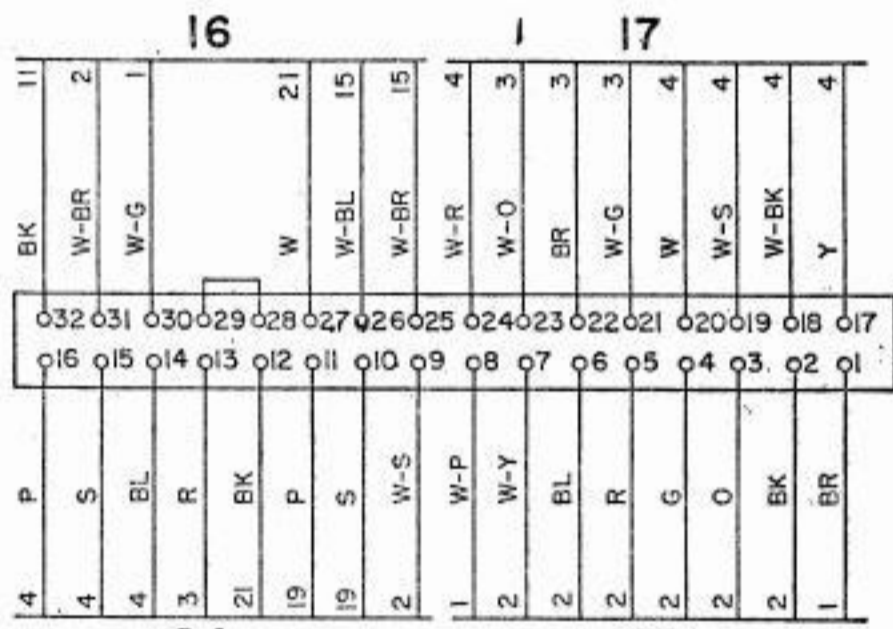
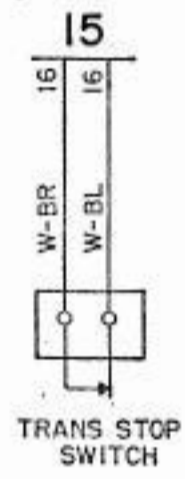
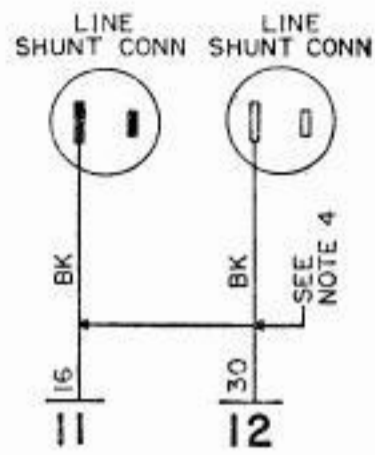
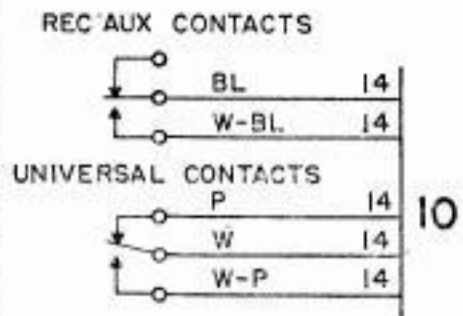
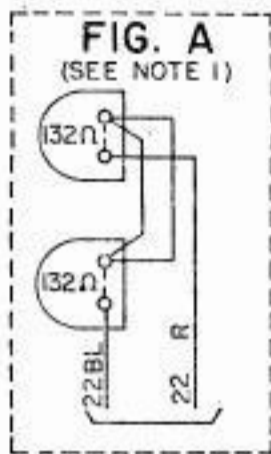
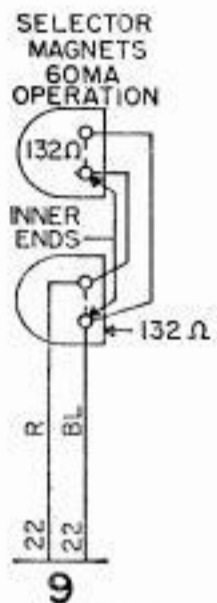
POWER  
SWITCH



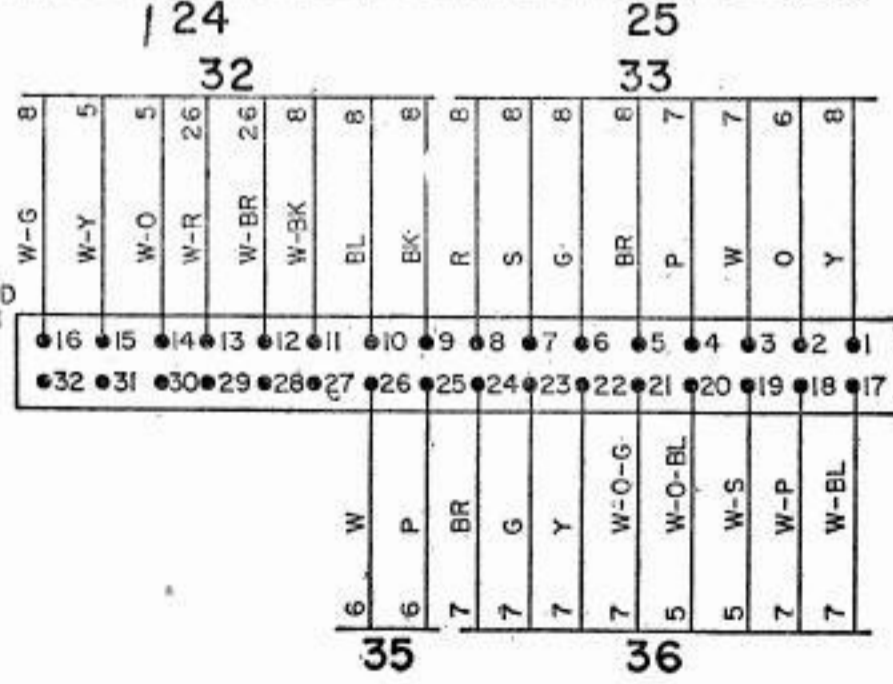
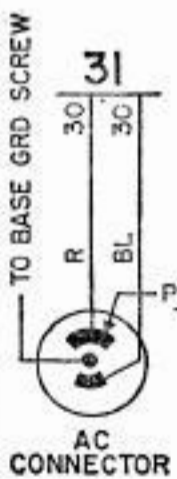
**28G Reperforator-Transmitter Unit**

28-TYPE  
REPERF.-  
TRANS.  
WIRING





**BC**  
TRANS-DIST  
CONNECTOR



**DD**  
REPERFORATOR  
CONNECTOR