

BELL SYSTEM PRACTICES
Teletypewriter Stations

SECTION P33.016
Issue 1, May, 1952
AT&T Co Standard

XRT 205 AND XRT 206 TABLES

WIRING DIAGRAM

1. GENERAL

- 1.01** This section gives the wiring diagram of the XRT 205 and XRT 206 tables as received from the factory.

WIRING OF XRT 205 & 206 TABLES

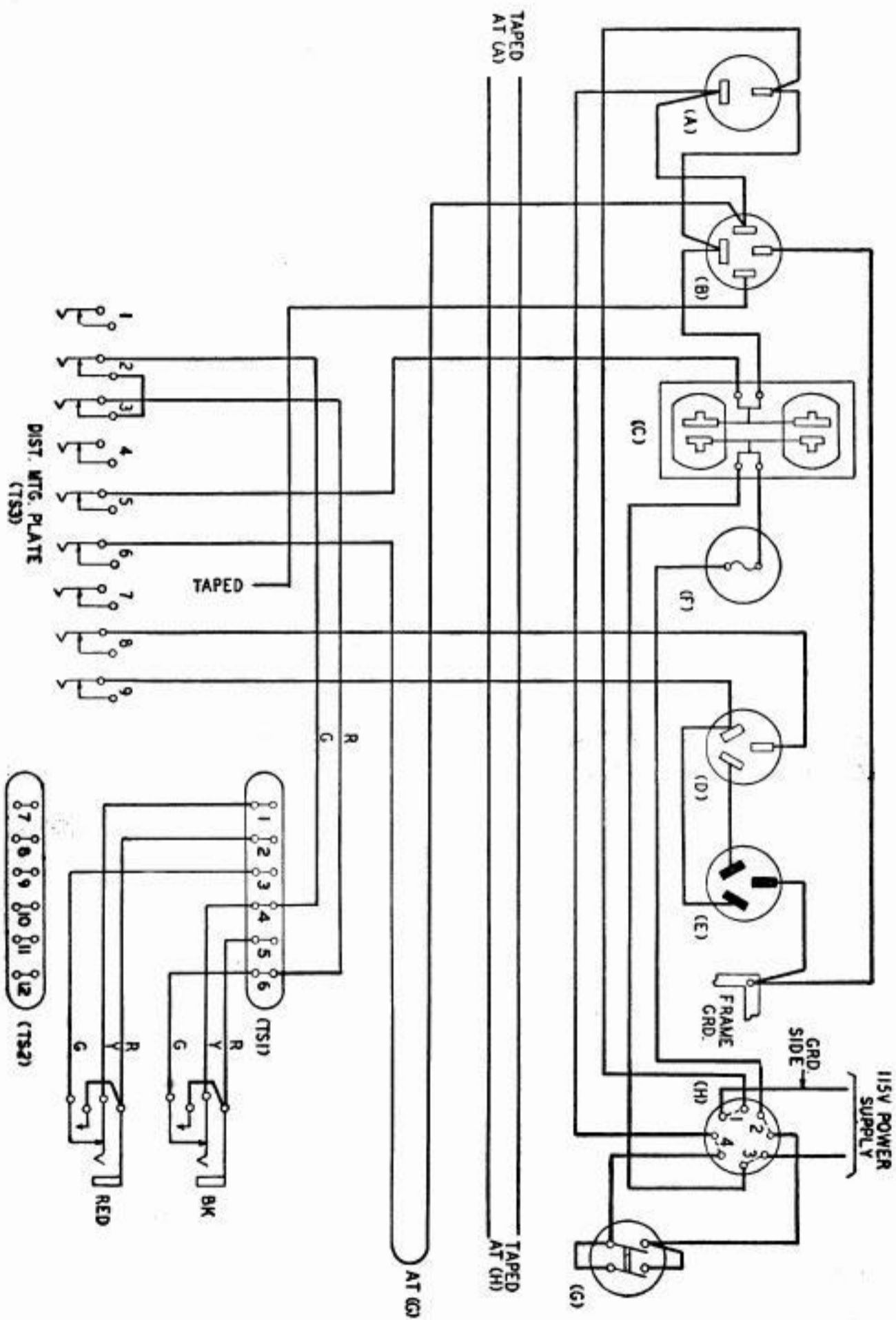


Fig. 1