

BELL SYSTEM PRACTICES
Teletypewriter and Manual Telegraph
Station and P.B.X.
Installation and Maintenance

SECTION P31.226
Issue 1, August, 1934
Standard

NO. 126 TELETYPEWRITER SUBSCRIBER SET

1. GENERAL

1.01 The No. 126 teletypewriter subscriber set consists of auxiliary equipment to be associated with a teletypewriter to adapt it for TWX operation. This subscriber set is used for **attended only TWX service and may be used on subscriber lines normally open in the idle condition or on lines normally closed in the idle condition.**

1.02 Only one model of the 126 set is available and this is designated as the 126-A-1 set. The following features are provided:

- (a) A bell signal (ordinary telephone ringer) for calling the subscriber.
- (b) A combined power and line switch to start the teletypewriter and to disconnect the ringer.
- (c) A wave shaping network resistance mounted in the subscriber's set.

1.03 The installation instructions may call for the use of the following auxiliary apparatus for certain service conditions

- (a) A non-locking key for manual flashing recall.
- (b) A five-second selector key.
- (c) A seven-second and a ten-second selector key.
- (d) A 1 mf. condenser

2. DESCRIPTION OF 126-A-1 SET

2.01 The 126-A-1 set consists of two units, a 584-DG subscriber set and a combined power and line switch.

2.02 The 584-DG subscriber set contains the ringer, the wave shaping network resistance and the necessary

terminals. The ringer coils are arranged for either series or parallel connection. Space is provided for mounting the 1 mf. condenser in the set but the condenser is not included as a part of the 126-A-1 set.

2.03 The designations of the 126-A-1 set and the auxiliary apparatus are as follows:

(a) The 126-A-1 set consists of a 584-DG subscriber set, a switch and switch box and the necessary materials for mounting these on a table. The designation of the set is as follows:

"126-A-1 Teletypewriter Subscriber Set Equipment per ED-70028-01, G1."

(b) The non-locking recall key is designated as follows:
"6017M key."

(c) The five-second selector key and the bracket for mounting it are designated as follows:

"60F selector key case equipped with 60C selector key."
"Detail mounting bracket per ED-70023-90, G1."

(d) The seven and ten-second keys and the bracket for mounting them are designated as follows:

"60F selector key case equipped with 60D selector key."
"60F selector key case equipped with 60E selector key."
"Detail mounting bracket per ED-70023-90, G2."

(e) The 1 mf. condenser is designated as follows:
"1149-A condenser."

2.04 With the 126-A-1 set a 14 or 15 TTY may be tested locally as shown below. This arrangement leaves the ringer on the line and an incoming signal may be received.

(1) Remove the line plug from the "RED" jack and insert it in the "BLACK" jack.

(2) Operate the line-test key in the TTY to "TEST."

(3) Operate the power switch of the subscriber's set to the "ON" position.

2.05 For the 19 TTY set the TTY may be tested locally as shown below. This arrangement leaves the ringer on the line and an incoming signal may be received.

(1) Operate the line-test key in the TTY to "TEST."

(2) Operate the power switch on the TTY table to the "ON" position.

(3) Leave the power switch of the subscriber's set in the "OFF" position.

3. TELETYPEWRITERS FOR USE WITH THE 126-A-1 SET

3.01 The coded teletypewriters employed with the 126-A-1 set are: 15-DA, 15-DK, 15-DD and the 14-DE. Certain slight changes may be required in the TTY as indicated below.

3.02 The particular features of the TTY to be checked to determine that it is suitable for use with the 126-A-1 set when employed on subscriber lines using 20-mil line current are as follows:

Item	No. 15	No. 14
(1) Local test circuit resistance.	5,300 ohms.	5,300 ohms. (Cut 1,000 ohms out of circuit and cut 4,300 ohms in — not done at factory).
(2) Relay biasing circuit resistance.	12,000 ohms.	*11,000 ohms. (Cut 2,000 ohms out of circuit and ca 9,000 ohms in — not done at factory).
(3) Strap between terminals 35 and 43.	Does not apply.	Strapped (not done at factory).
(4) TTY Base Terminals 9 and 10.	Strapped.	Does not apply.
(5) Power Switch.	Circuit shorted at switch.	Shorted by strap between terminals 21 and 22.
(6) Blank function lever to prevent printing and spacing on blank selection.	Installed.	Does not apply.
(7) Line relay.	209-FB (formerly 209 relay per D-91711).	209 relay per D-94954.
(8) End-of-line indicator.	Does not apply.	Installed.

* In some 14-DE machines the total resistance may be 12,000 ohms.

- | | | |
|--|-----------------|----------------|
| (9) Type bars and pull bars for upper and lower case commas and periods removed. | Does not apply. | Omitted. |
| (10) Type character arrangement. | Arrangement C. | Arrangement C. |

3.03 The particular features of the TTY to be checked to determine that it is suitable for use with the 126-A-1 set when employed on subscriber lines using 60-mil line current are given below.

Item	No. 15	No. 14
(1) Local test circuit resistance.	1,600 ohms (Cut 3,700 ohms out of circuit — not done at factory).	2,000 ohms.
(2) Relay biasing circuit resistance.	4,000 ohms (Cut 8,000 ohms out of circuit — not done at factory).	4,000 ohms
(3) Strap between terminals 34 and 43.	Does not apply.	Strapped (not done at factory).
(4) TTY Base Terminals 9 and 10.	Strapped.	Does not apply.
(5) Power switch.	Circuit shorted at switch.	Circuit opened at switch.
(6) Blank function lever to prevent printing and spacing on blank selection.	Installed.	Does not apply
(7) Line relay.	215-A relay.	215-A relay.
(8) End-of-line indicator.	Does not apply.	Installed
(9) Type bars and pull bars for upper and lower case commas and periods.	Does not apply.	Omitted.
(10) Type character arrangement.	Arrangement C.	Arrangement C.

4. ADJUSTING REQUIREMENTS

4.01 Information for adjusting the ringer is given in Bell System Practices—Station Installation and Maintenance, except for the adjustment of the biasing spring which is covered in the section of the P series on TWX Subscriber Stations—Installation and Maintenance Tests.

5. INSTALLATION

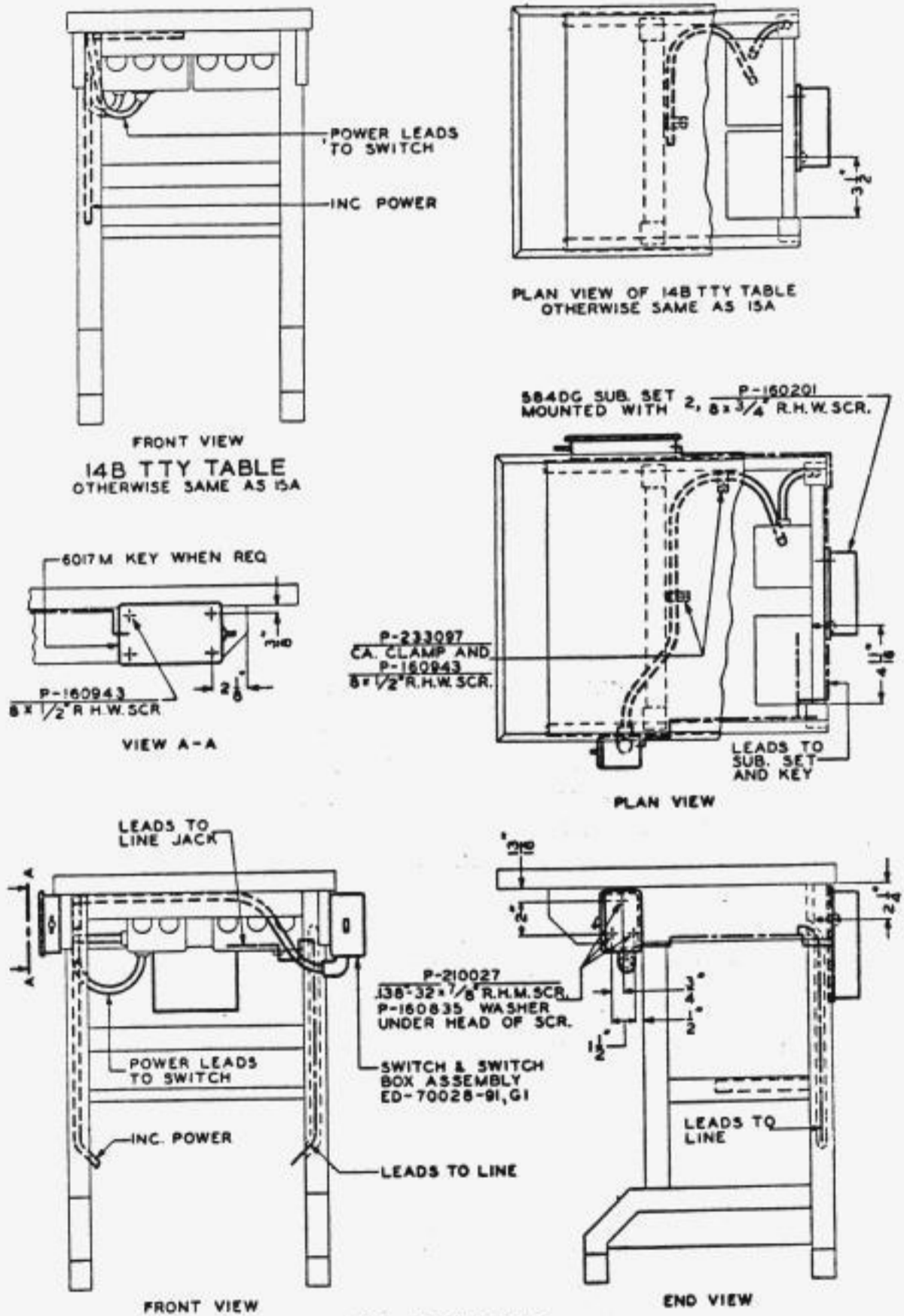
5.01 The mounting of the 126-A-1 set, on 14-B or 15-A tables, with auxiliary apparatus as required is shown by the figures below.

5.02 The wiring to be placed by the installer is shown in another section of these practices covering connection plans.

5.03 The connection to be made to the wave shaping network resistance depends upon the makeup of the subscriber line. Information as to the resistance to be used for a particular installation should be obtained through the regular lines of organization.

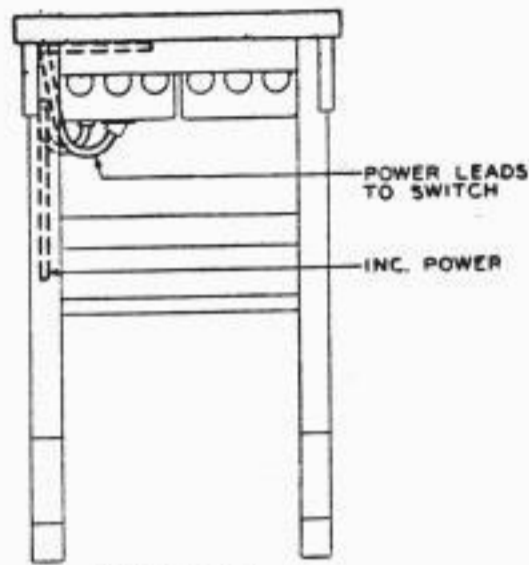
5.04 The methods of installing the teletypewriter are covered in installation information covering the particular teletypewriter.

METHOD OF MOUNTING
 126A1 TTY SUB. SET ON 14B & 15A TTY TABLES
 WITH OR WITHOUT 6017M KEY

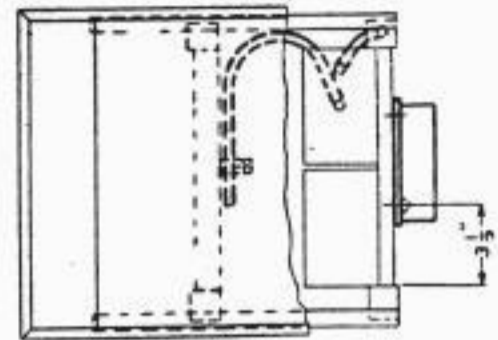


15A TTY TABLE
 Fig. 1

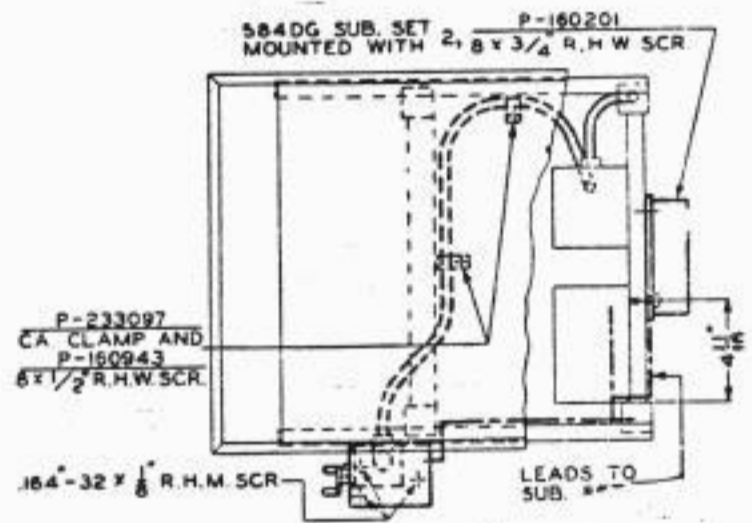
METHOD OF MOUNTING
126A1 TTY SUB-SET ON 14B & 15A TTY TABLES
WHEN 5 SECOND SELECTOR KEY IS USED



FRONT VIEW
14B TTY TABLE
 OTHERWISE SAME AS 15A

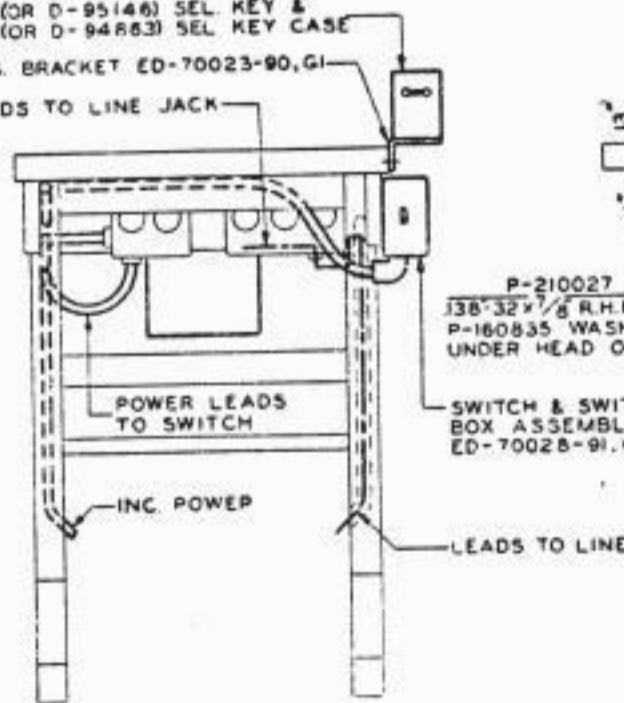


PLAN VIEW OF 14B TTY TABLE
 OTHERWISE SAME AS 15A

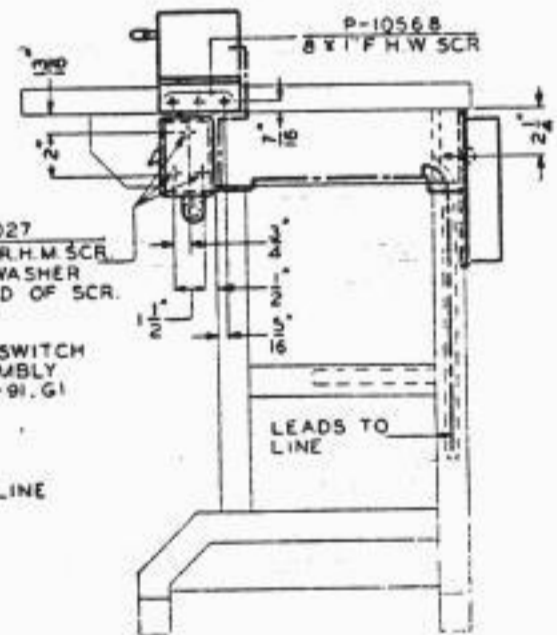


PLAN VIEW

60C (OR D-95146) SEL. KEY &
 60F (OR D-94883) SEL. KEY CASE
 MTG. BRACKET ED-70023-90, GI
 LEADS TO LINE JACK



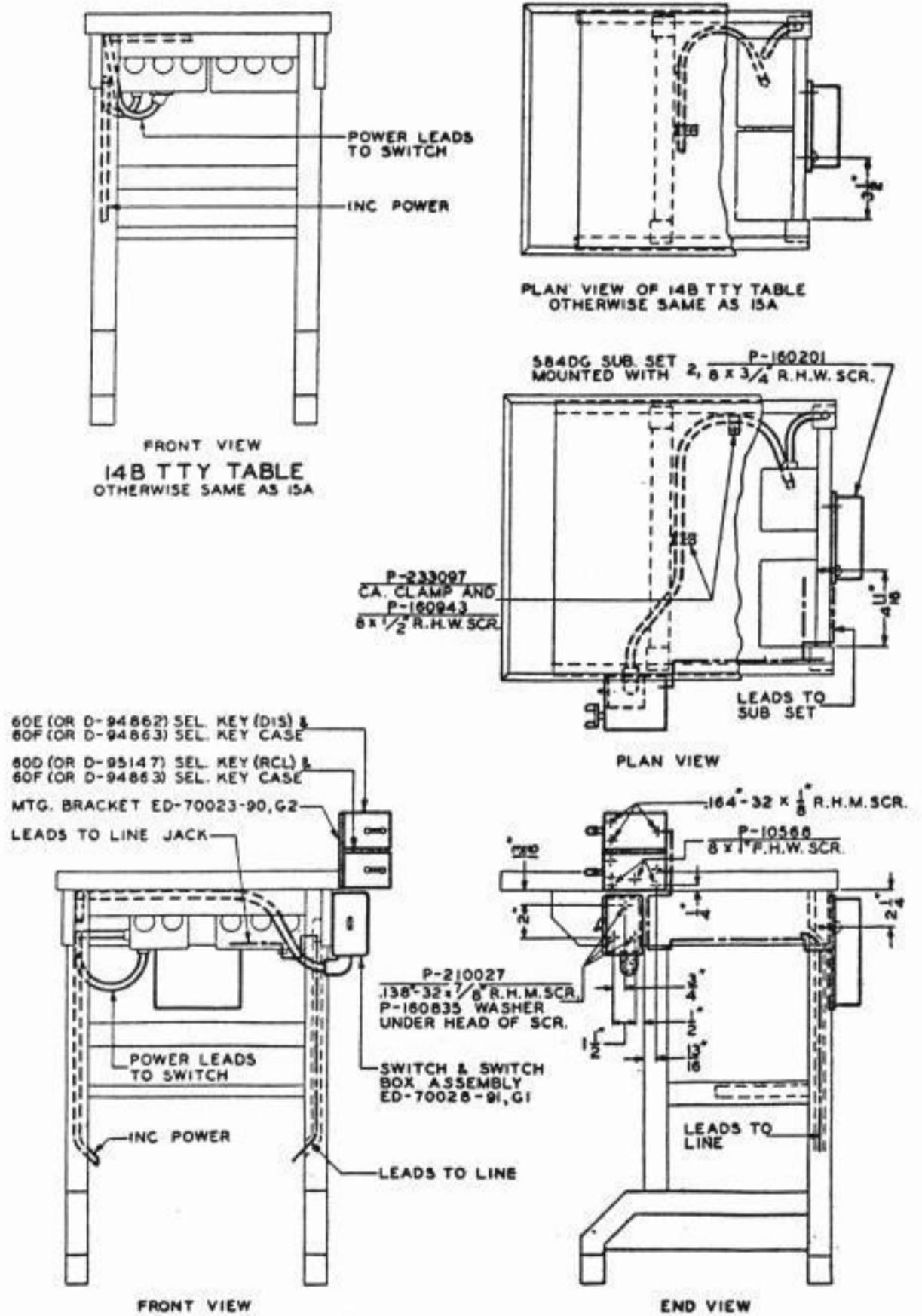
FRONT VIEW



END VIEW

15A TTY TABLE
Fig. 2

METHOD OF MOUNTING
126A1 TTY SUB. SET ON 14B & 15A TTY TABLES
WHEN 7 & 10 SECOND SELECTOR KEYS ARE USED



15A TTY TABLE

Fig. 3