

BELL SYSTEM PRACTICES
Teletypewriter Stations

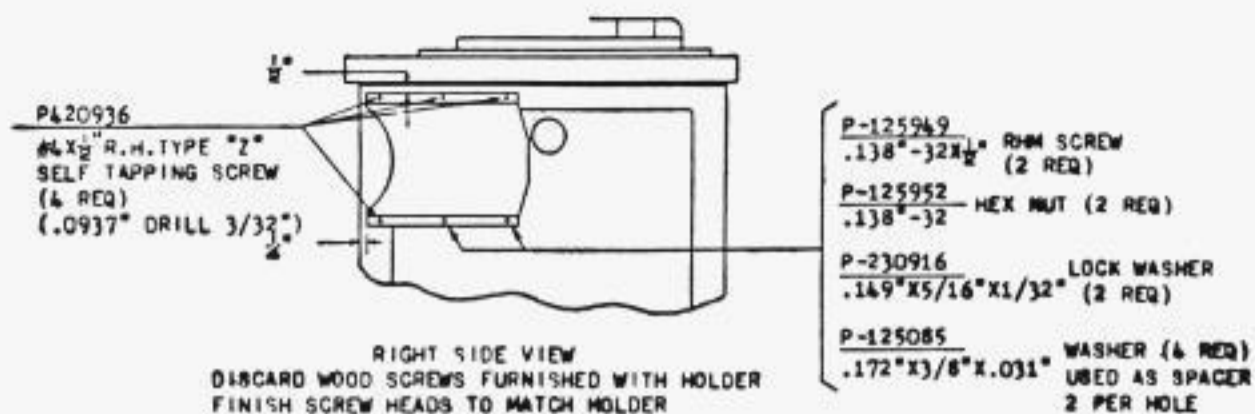
SECTION P30.659
Issue 1, August, 1952
AT&T Co Standard

STATION ASSEMBLY XRT205 AND XRT206 TELETYPEWRITER TABLES

1. GENERAL

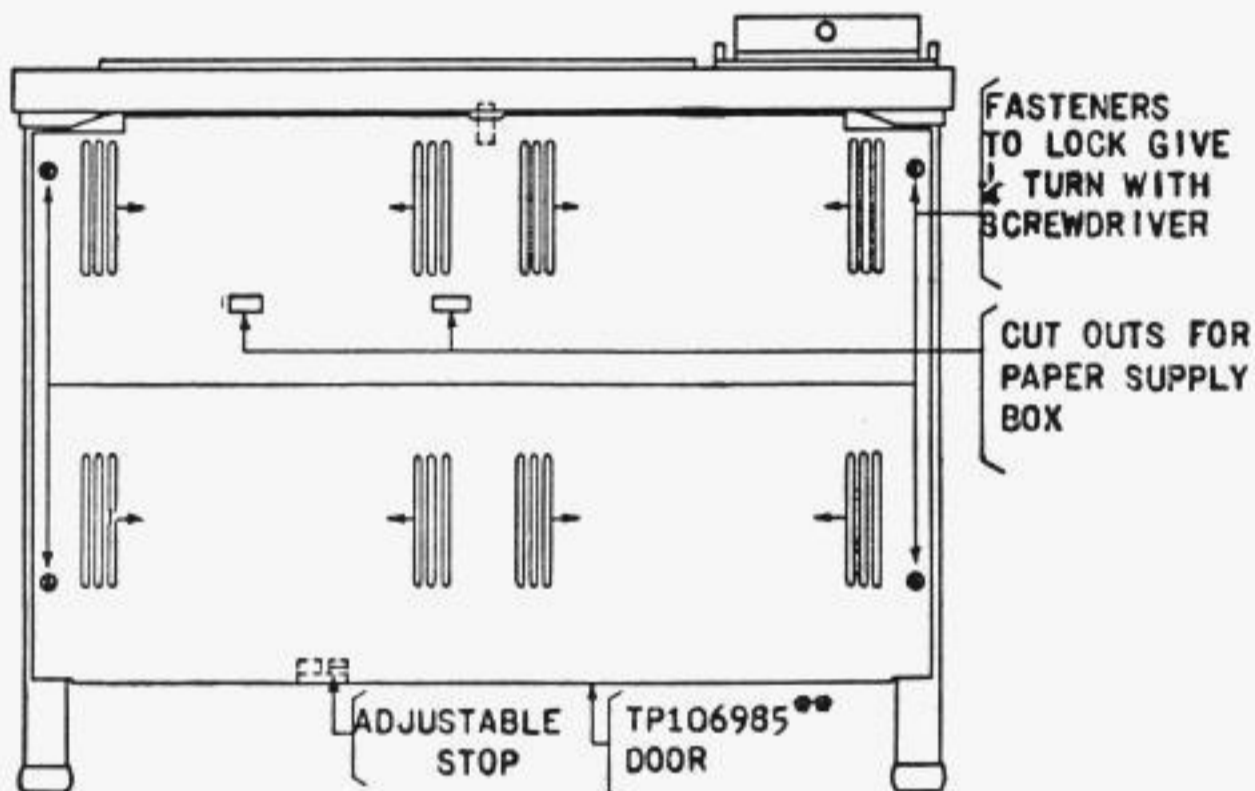
- 1.01 This section gives the Station Assembly Plans for XRT205 and XRT206 Teletypewriter Tables.
- 1.02 The following plans are included:

<u>Plan No.</u>	<u>Title</u>
SA8.01	Instruction Book Holder 38-Y-3736
SA8.02	TP106985** Door Mounted
SA8.03	TP93878** Paper Supply Box Mounting When TP106985** Door is Provided
SA8.04	External Line Test Key Arrangement
SA8.05	152A1—60 Cycle Induction Suppression Unit
SA8.06	TP93878** Paper Supply Box Mounting Using TP106986 Accessory Kit
SA8.07	64C1 Calling Station Arrangement
SA8.08	64C1 Receiving Station Arrangement
SA8.09	Mounting of 122A Filters
SA8.10	150A1, 150B1 or 150C1 Wave Shaping Set
SA8.11	150D1, 150E1 or 150F1 Wave Shaping Set
SA8.12	150A1, 150B1 or 150C1 Wave Shaping Set (When Location Shown in SA8.10 is not Available)
SA8.13	150D1, 150E1 or 150F1 Wave Shaping Set (When Location Shown in SA8.11 is not Available)

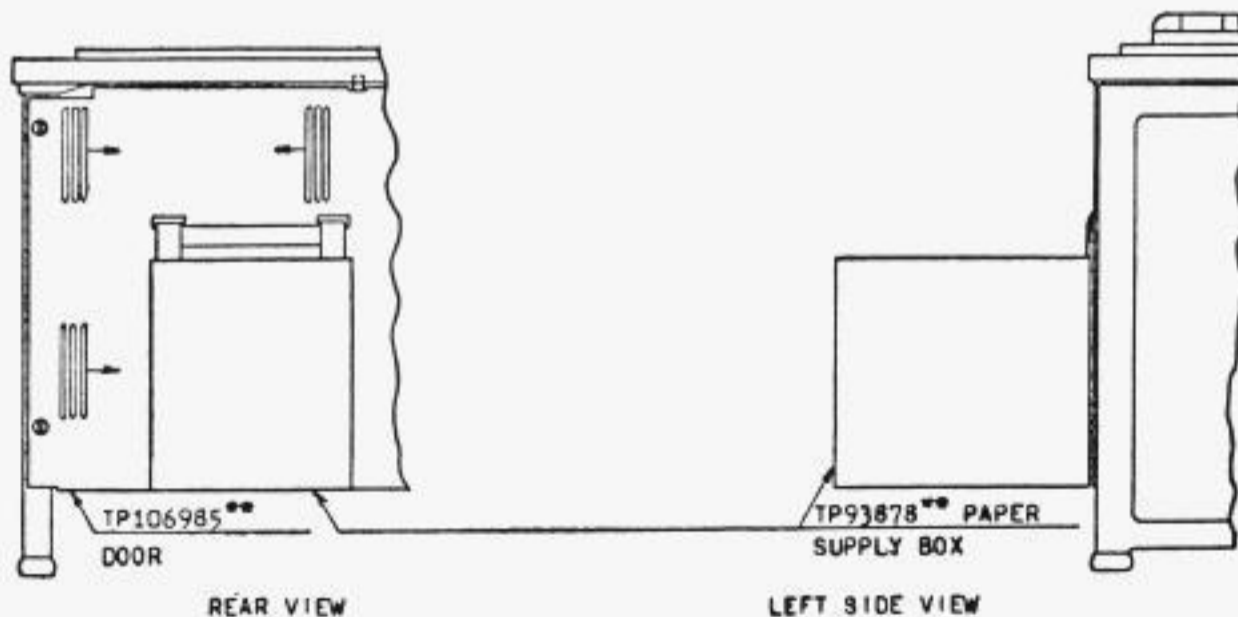


SA8.01 Instruction Book Holder 38-Y-3736

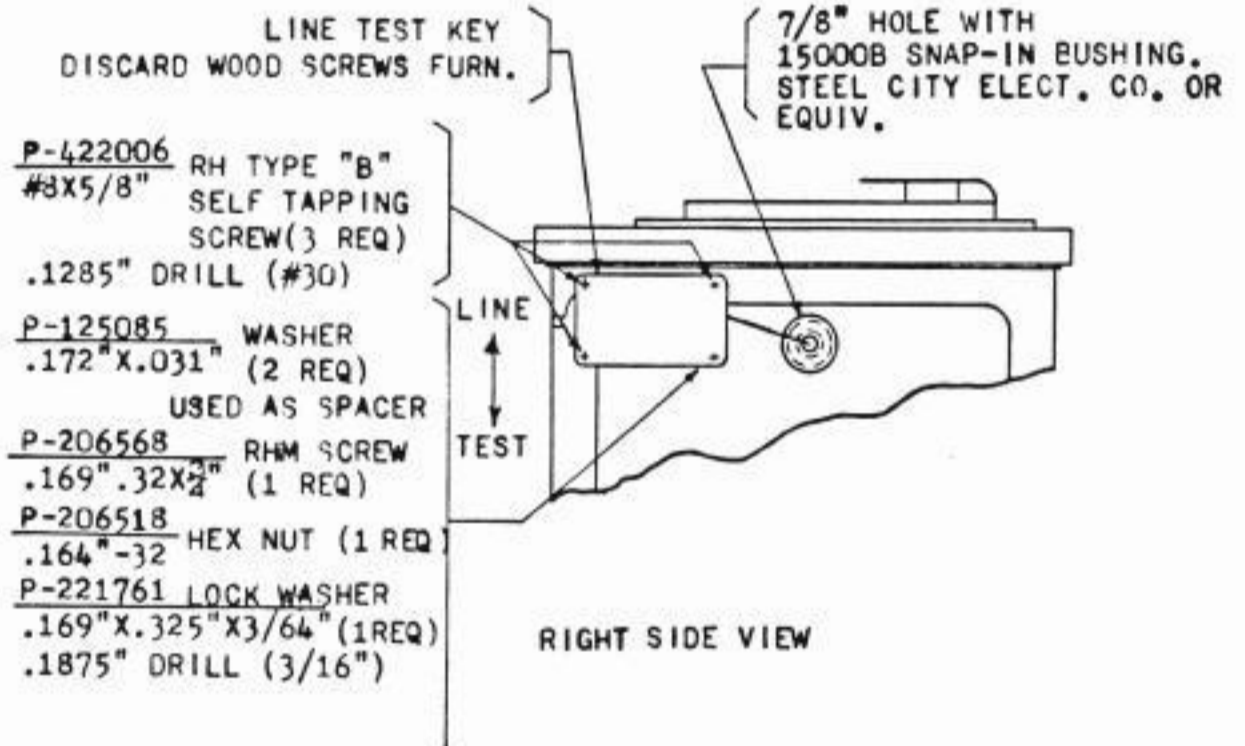
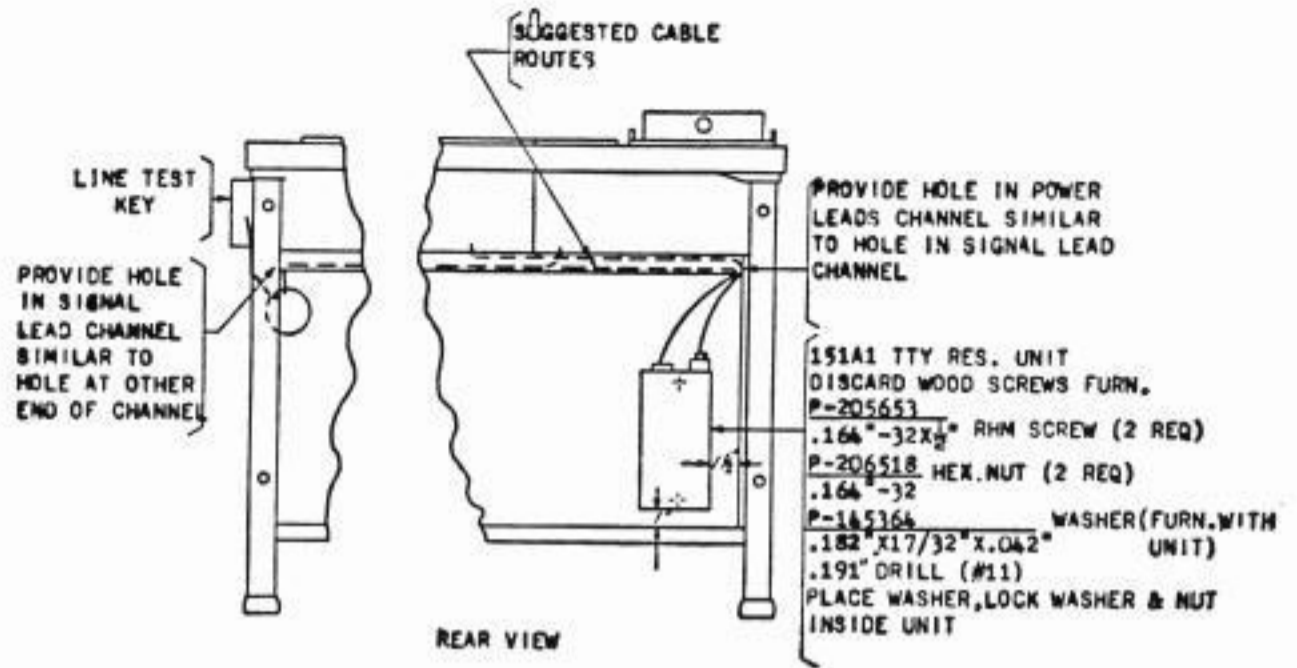
NOTE: If space indicated is in use select other suitable location.



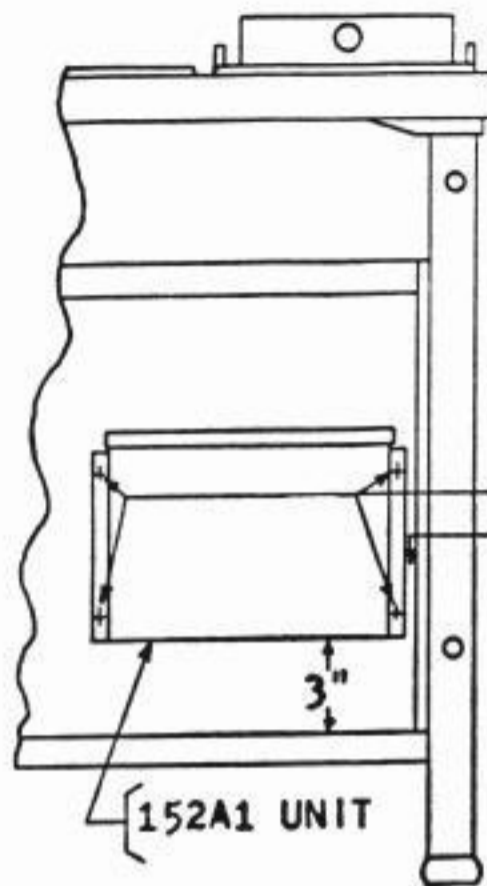
SA8.02 TP106985 Door Mounted**



SA8.03 TP93878 Paper Supply Box Mounting when TP106985** Door is Provided**



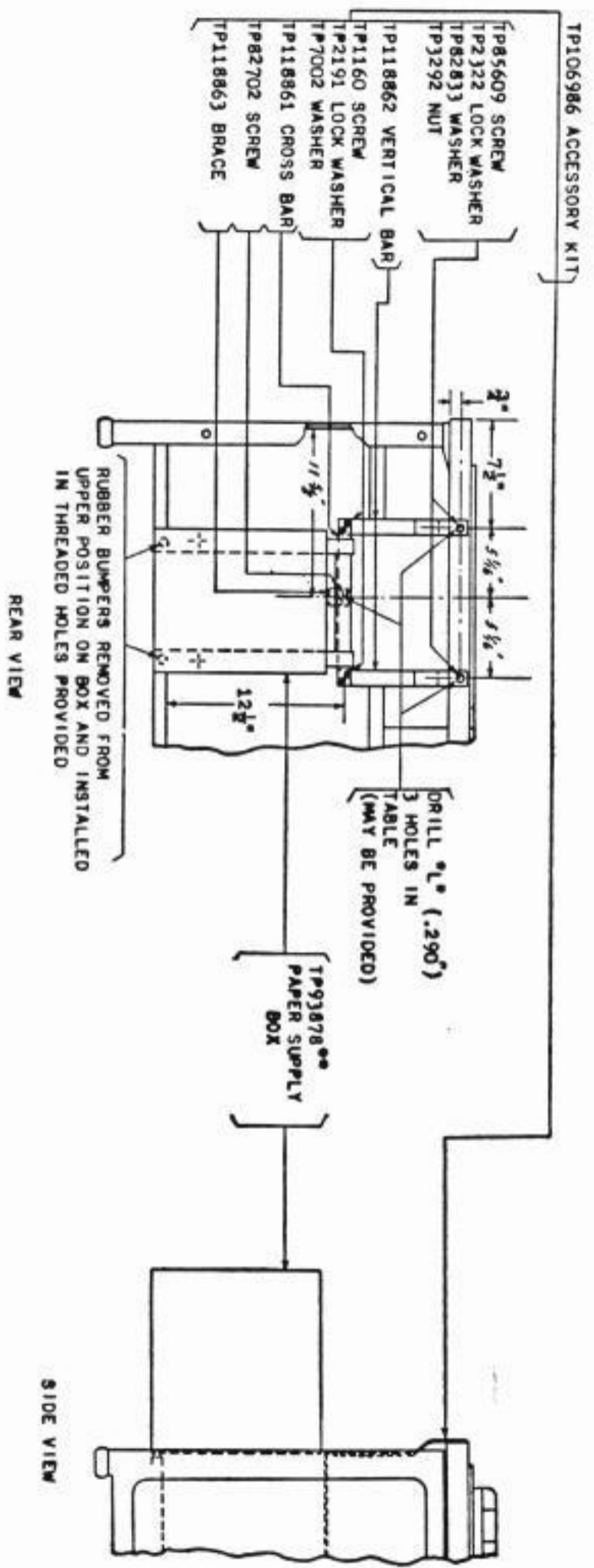
SA8.04 External Line Test Key Arrangement



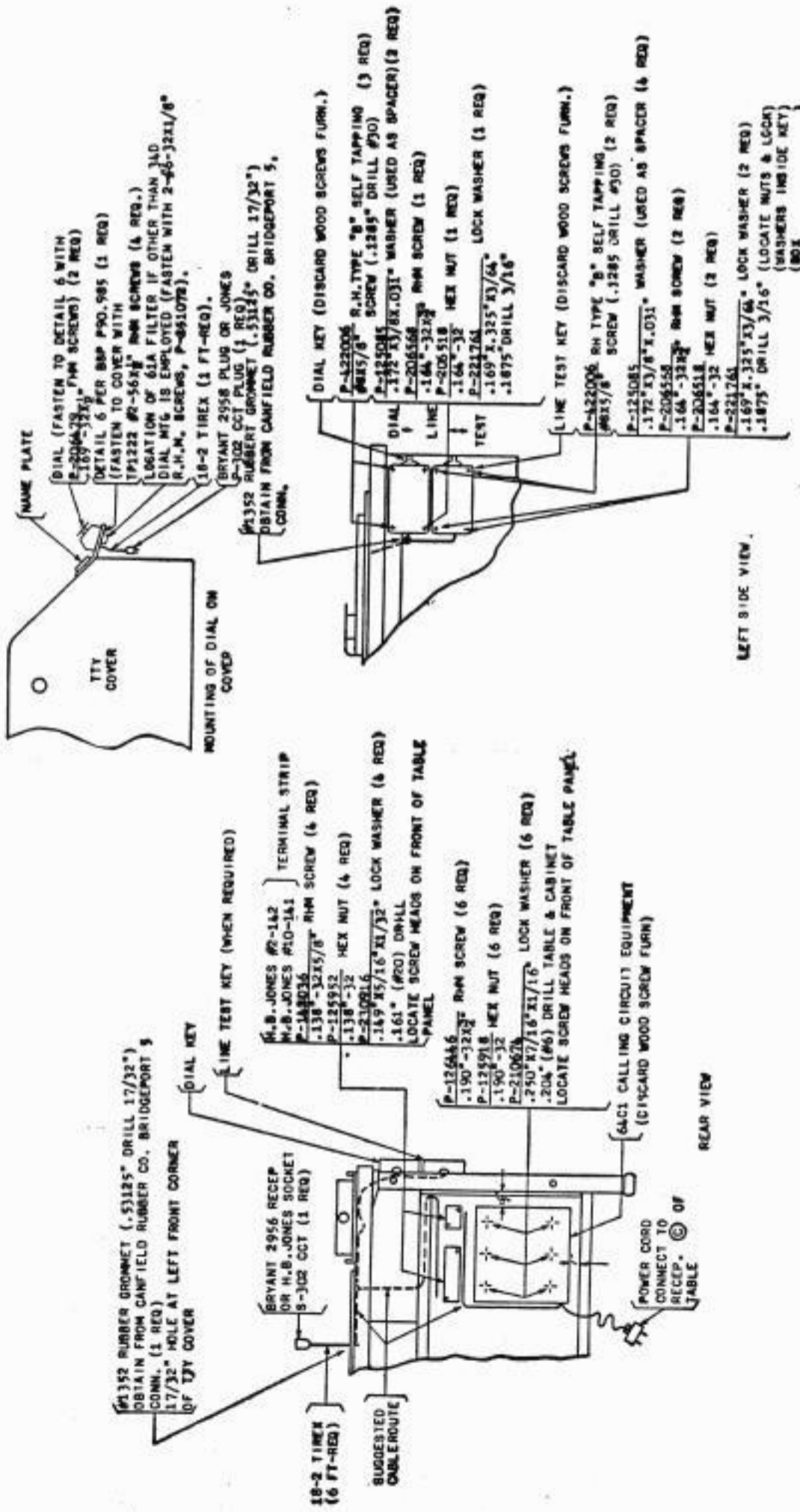
- P-205653 RHM SCREW (4 REQ)
.164"-32X $\frac{1}{2}$ "
.191" DRILL (#11) PLACE SCREW
HEADS ON FRONT OF PANEL
- P-206518 HEX NUT (4 REQ)
.164"-32
- P-221761 LOCK WASHER
.169"X.325"X $\frac{3}{64}$ " (4 REQ)

REAR VIEW

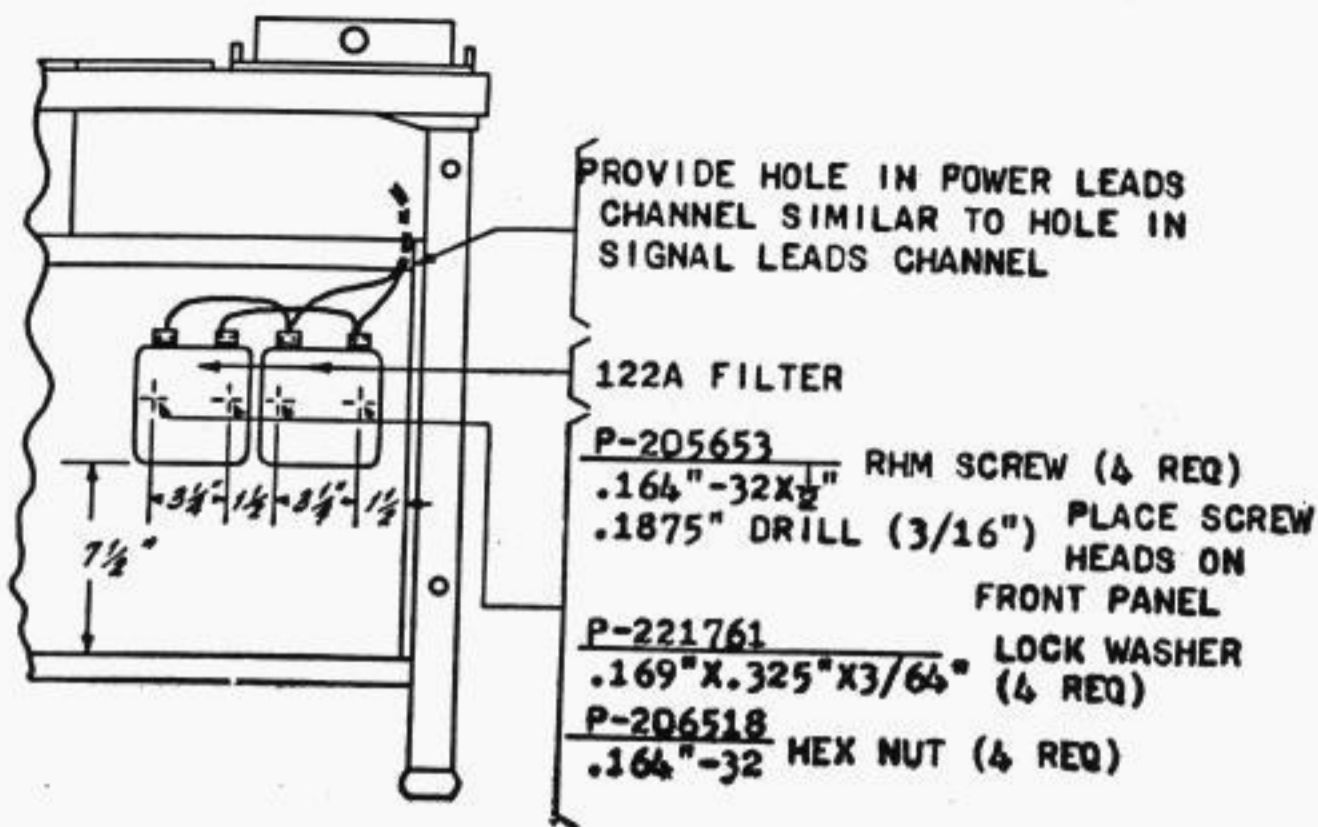
SA8.05 152A1-60 Cycle Induction Suppression Unit



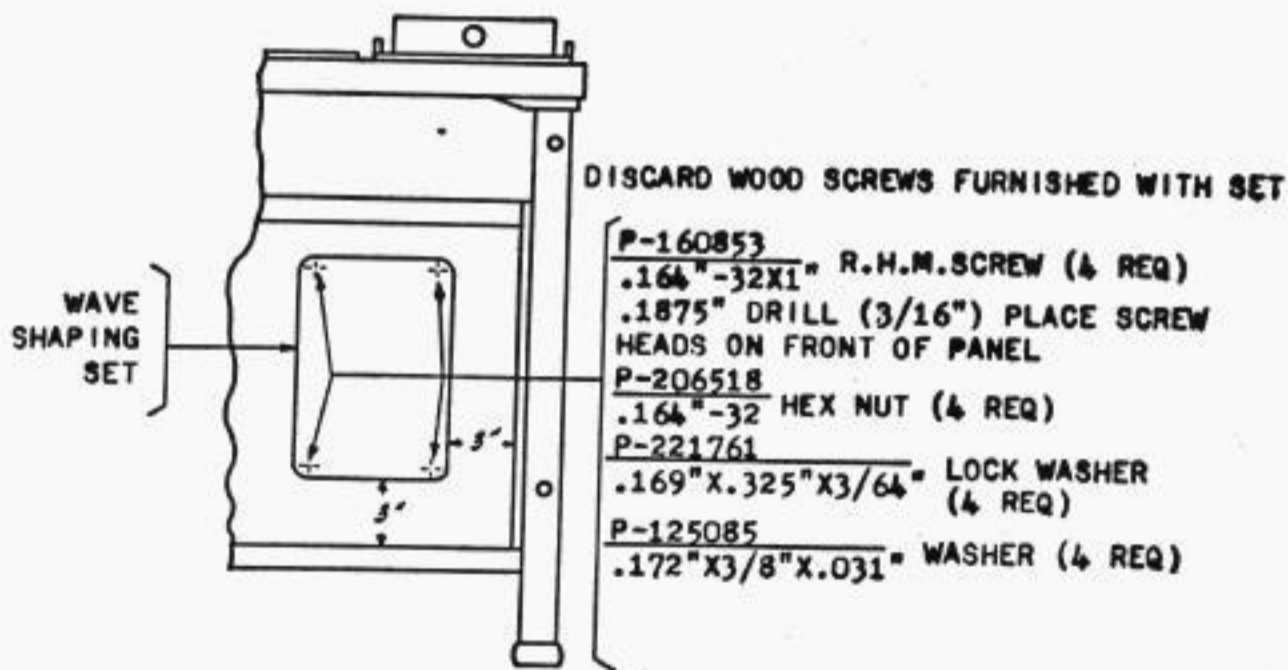
SA8.06 TP93878** Paper Supply Box Mounting
 Using TP106986 Accessory Kit



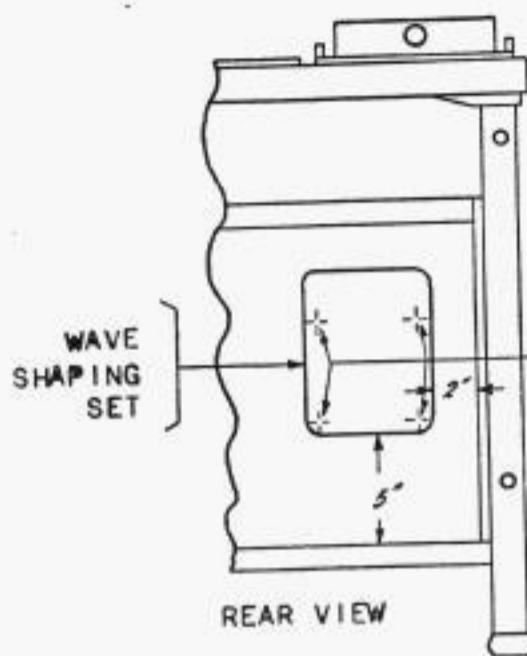
SA8.07 64C1 Calling Station Arrangement



SA8.09 Mounting of 122A Filters

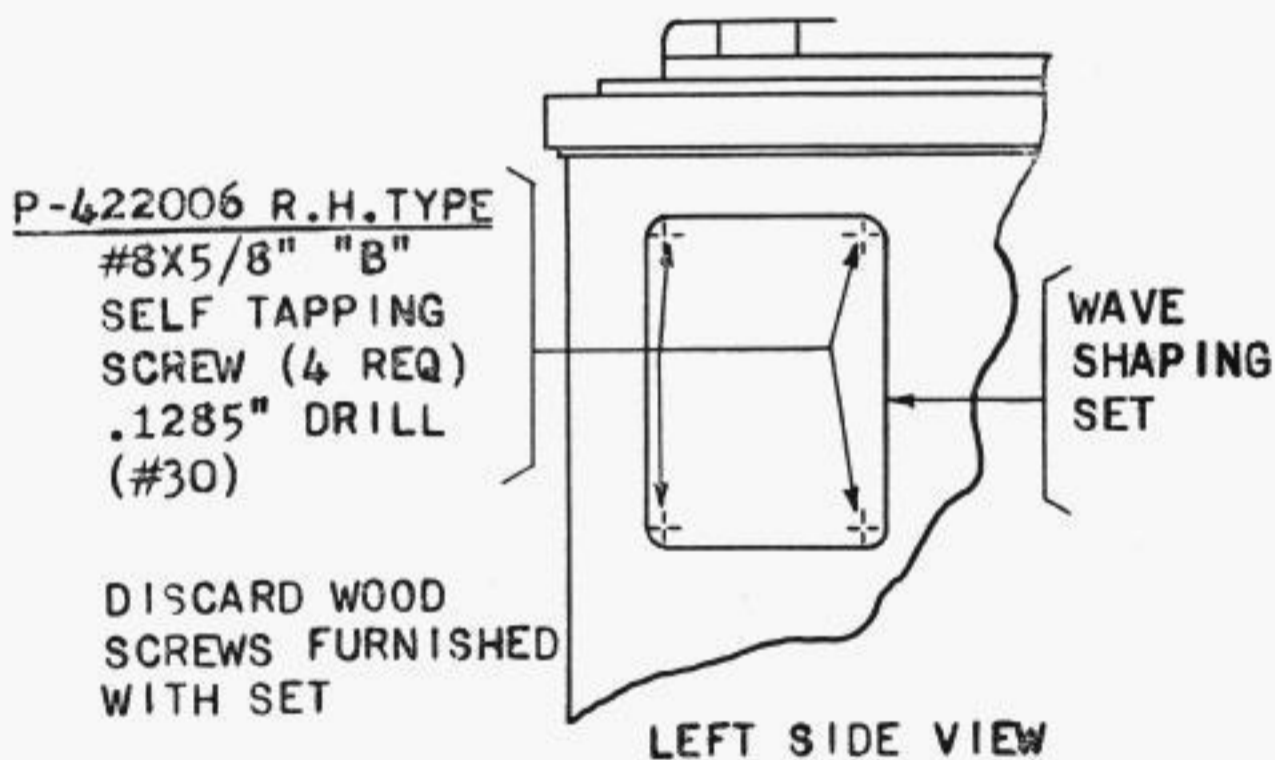


SA8.10 150A1, 150B1 or 150C1 Wave Shaping Set



- P-206568 RHM SCREW (4 REQ)
- .164"-32X2"
- .1875" DRILL (3/16") PLACE SCREW HEADS ON FRONT OF PANEL
- P-206518 HEX NUT (4 REQ)
- .164"-32
- P-221761 LOCK WASHER (4 REQ)
- .169"X.325"X3/64"
- P-125085 WASHER (4 REQ)
- .172"X3/8"X.031"
- DISCARD WOOD SCREWS FURNISHED WITH SET

SA8.11 150D1, 150E1 or 150F1 Wave Shaping Set



- P-422006 R.H. TYPE
- #8X5/8" "B"
- SELF TAPPING SCREW (4 REQ)
- .1285" DRILL (#30)

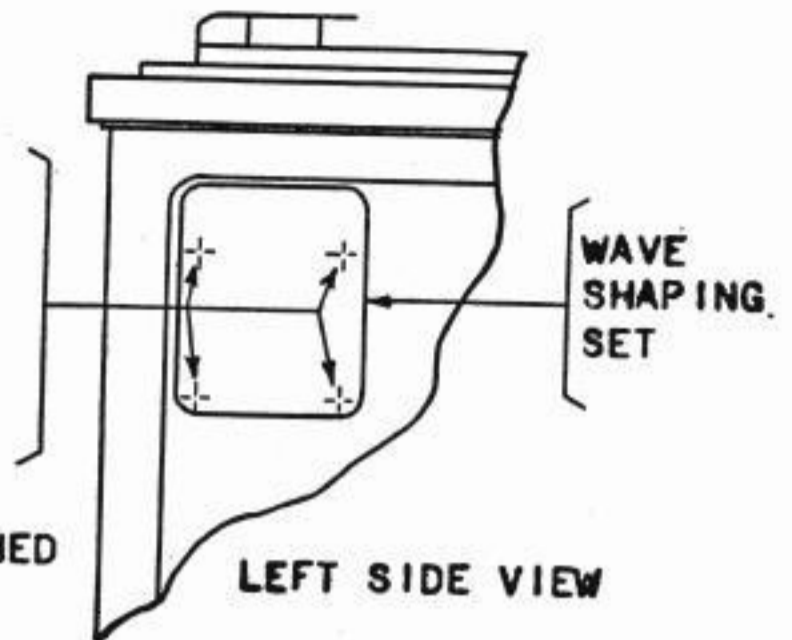
DISCARD WOOD SCREWS FURNISHED WITH SET

LEFT SIDE VIEW

SA8.12 150A1, 150B1 or 150C1 Wave Shaping Set
(When location shown in SA8.10 is not available)

P-422006 R.H. TYPE
#8X5/8" "B"
SELF TAPPING
SCREW (4 REQ)
.1285" DRILL
(#30)

DISCARD WOOD
SCREWS FURNISHED
WITH SET



SA8.13 150D1, 150E1 or 150F1 Wave Shaping Set
(When location shown in SA8.11 is not available)