

**BELL SYSTEM PRACTICES**  
**Teletypewriter and Manual**  
**Telegraph Station and P.B.X.**  
**Installation and Maintenance**

**SECTION P30.561**  
**Issue 2, September, 1938**  
**AT&T Co Standard**

This section is reissued to add LS2.33, LS2.34 and LS2.35 and to make other slight changes. M2CN cord was M2BL and they may be used interchangeably.

<b>Plan Number</b>	<b>Title</b>
LS2.18	126A2 Set—14B or 15A Table Swbds. with Flashing Recall—Local Line
LS2.19	126A2 Set—14B or 15A Table Swbds. with Manual Recall—Local Line
LS2.20	126A2 Set—14B or 15A Table Open Line TLT Bd.—Local Line
LS2.21	126A2 Set—14B or 15A Table 65B1 Swbd.—Local Line
LS2.22	126A2 Set—14B or 15A Table Closed Line TLT Bd.—Local Line or TLX 65B1 Swbd.—TLX
LS2.23	126A2 Set—19A Table Swbds. with Flashing Recall—Local Line
LS2.24	126A2 Set—19A Table Swbds. with Manual Recall—Local Line
LS2.25	126A2 Set—19A Table Open Line TLT Bd.—Local Line
LS2.26	126A2 Set—19A Table 65B1 Swbd.—Local Line
LS2.27	126A2 Set—19A Table Closed Line TLT Bd.—Local Line or TLX 65B1 Swbd.—TLX
LS2.28	15F Control Panel—15N Table Swbds. with Flashing Recall—Local Line
LS2.29	15G Control Panel—15N Table Swbds. with Manual Recall—Local Line

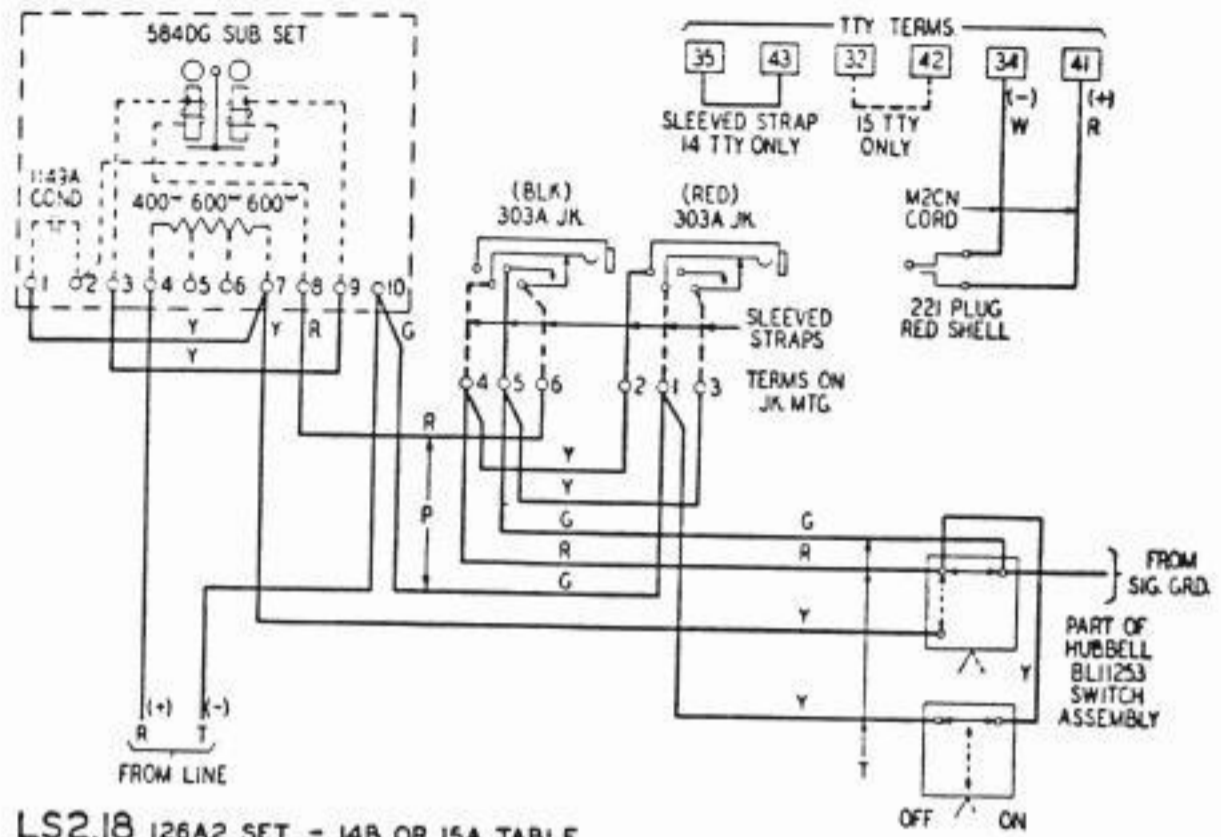
Plan Number	Title
LS2.30	15G Control Panel—15N Table Open Line TLT Bd.—Local Line
LS2.31	15F Control Panel—15N Table 65B1 Swbd.—Local Line
LS2.32	15F Control Panel—15N Table Closed Line TLT Bd.—Local Line or TLX 65B1 Swbd.—TLX
LS2.33	15F Control Panel—15N Table Line Concentrating Unit No. 101—Local Line
LS2.34	126A2 Set—19A Table Line Concentrating Unit No. 101—Local Line
LS2.35	126A2 Set—15A Table Line Concentrating Unit No. 101—Local Line

Note: See M Plans as follows:

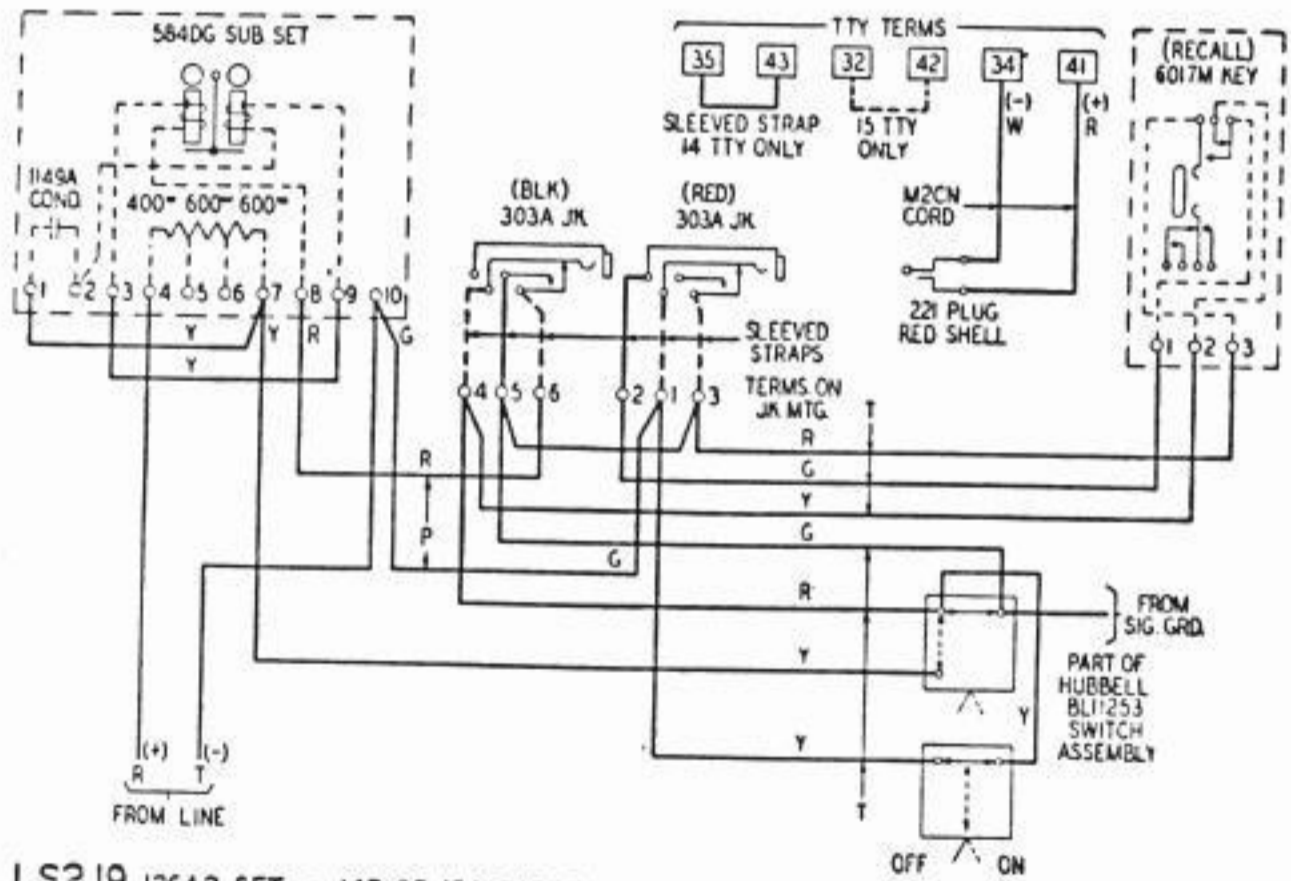
LS2.18	M1.10, M2.05, M2.06
LS2.19	M2.05, M2.06
LS2.20	M2.05, M2.06
LS2.21	M2.05, M2.06
LS2.22	M2.05, M2.06
LS2.23	M2.01, M2.05, M2.06, M2.16, M2.18, M2.32
LS2.24	M2.01, M2.05, M2.06, M2.16, M2.18, M2.32
LS2.25	M2.01, M2.05, M2.06, M2.16, M2.18, M2.32
LS2.26	M2.01, M2.05, M2.06, M2.16, M2.18, M2.32
LS2.27	M2.01, M2.05, M2.06, M2.16, M2.18, M2.32
LS2.28	M2.01, M2.05, M2.06, M2.10, M2.16, M2.18, M2.32
LS2.29	M2.01, M2.05, M2.06, M2.10, M2.16, M2.18, M2.32
LS2.30	M2.01, M2.05, M2.06, M2.10, M2.16, M2.18, M2.32
LS2.31	M2.01, M2.05, M2.06, M2.10, M2.16, M2.18, M2.32
LS2.32	M2.01, M2.05, M2.06, M2.10, M2.16, M2.18, M2.32
LS2.33	M2.16, M2.28, M2.31, M2.32
LS2.34	M2.16, M2.32, M3.06, M3.07
LS2.35	M2.16, M2.28, M2.31, M2.32

These M Plans provide the following features:

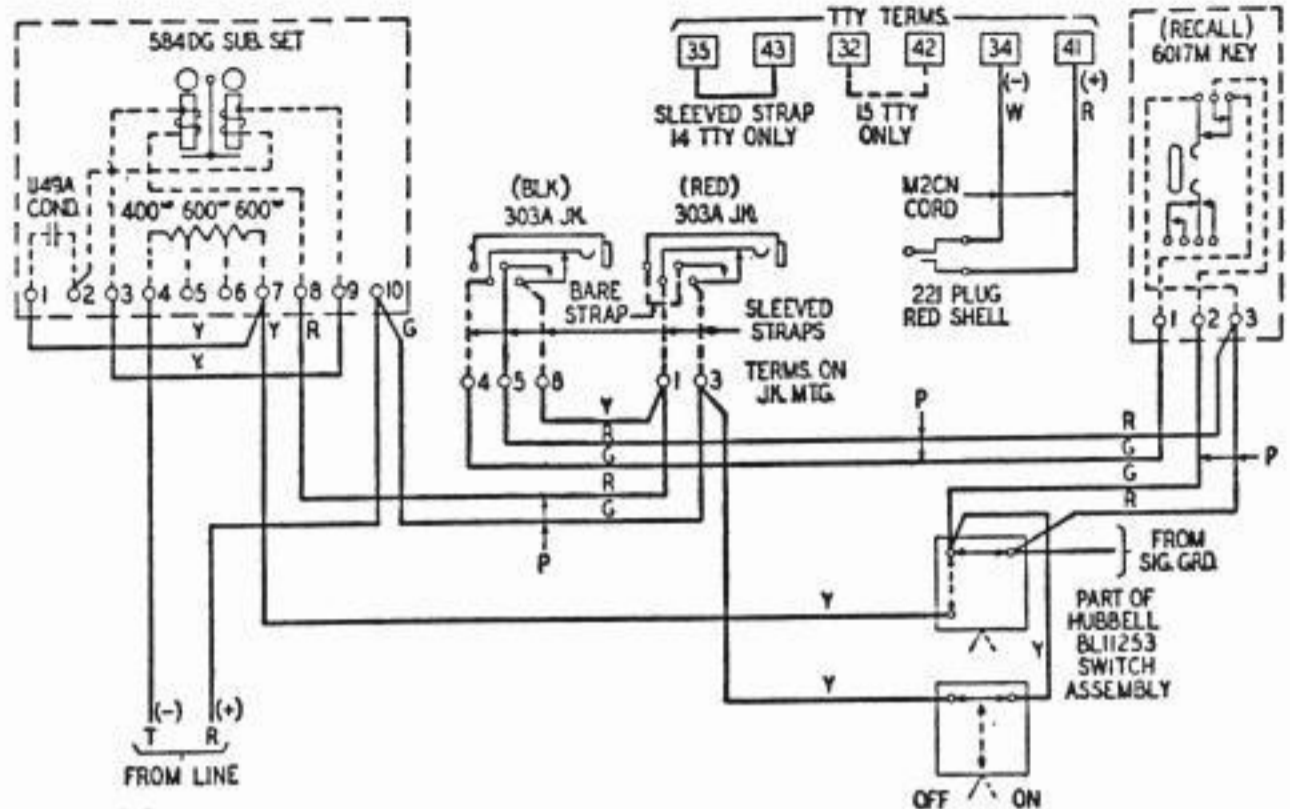
- M1.10 Operation in 20 mil circuit (14A, B, L, M, Bases)
- M2.01 Operation without line relay (15A Base)
- M2.05 Operation in 60 mil circuit (15B Base)
- M2.06 Operation in 60 mil circuit (15A, B, C, Keyboard and 15A, B, C, Perforator-Transmitter)
- M2.10 Connection of TTY permanently in line condition (15A, B, C, Keyboard and 15A, B, C, Perforator-Transmitter)
- M2.16 Operation with line relay (15C Base)
- M2.18 Operation of line relay in 60 mil circuit (15C Base with line relay)
- M2.31 Operation in 5-25 mil circuit (15C Base)
- M2.32 15J, K, Motor Units (15A, B, Bases)
- M3.06 Operation in 5-25 mil circuit (15B Base)
- M3.07 Operation in 5-25 mil circuit (15C Base)



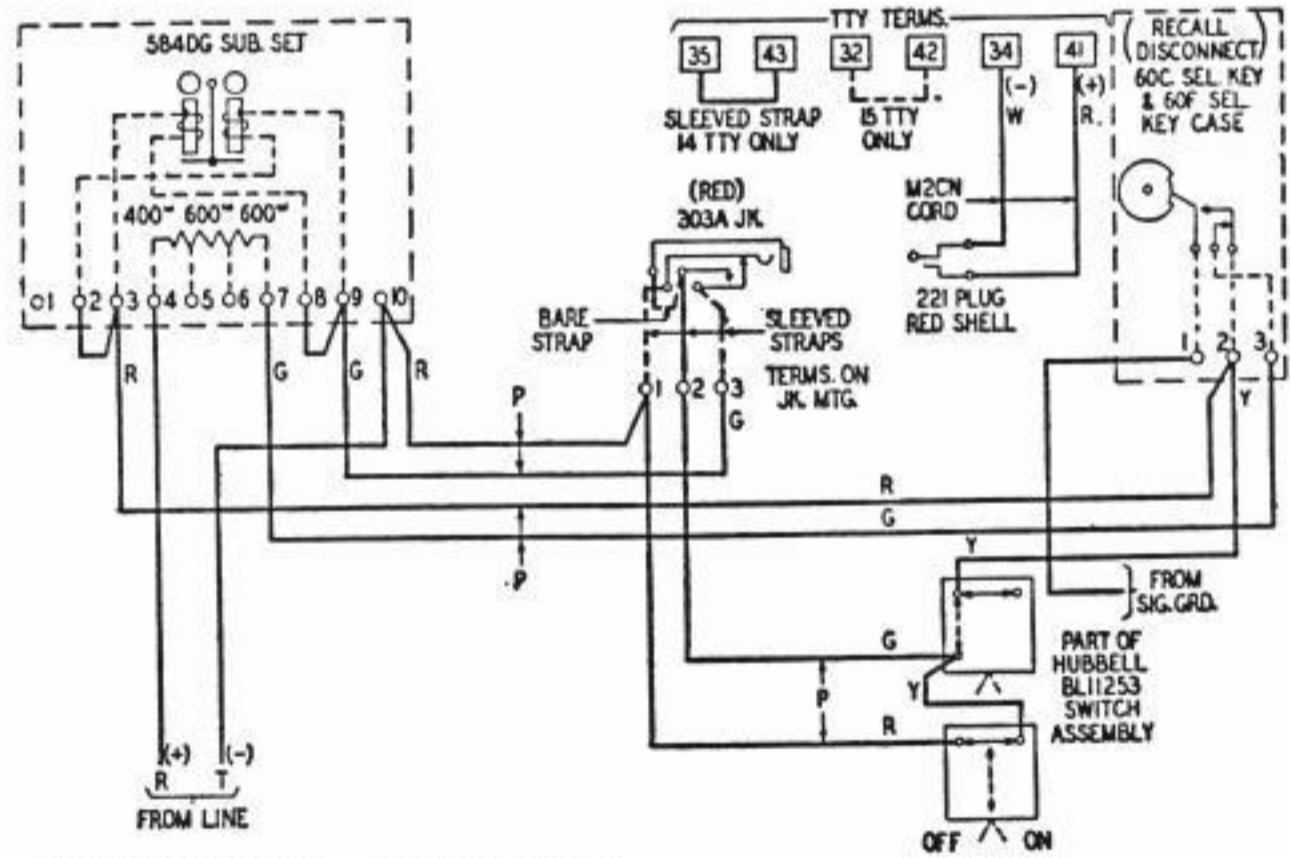
**LS2.18** 126A2 SET - 14B OR 15A TABLE  
SWBDS. WITH FLASHING RECALL - LOCAL LINE



**LS2.19** 126A2 SET - 14B OR 15A TABLE  
SWBDS. WITH MANUAL RECALL - LOCAL LINE

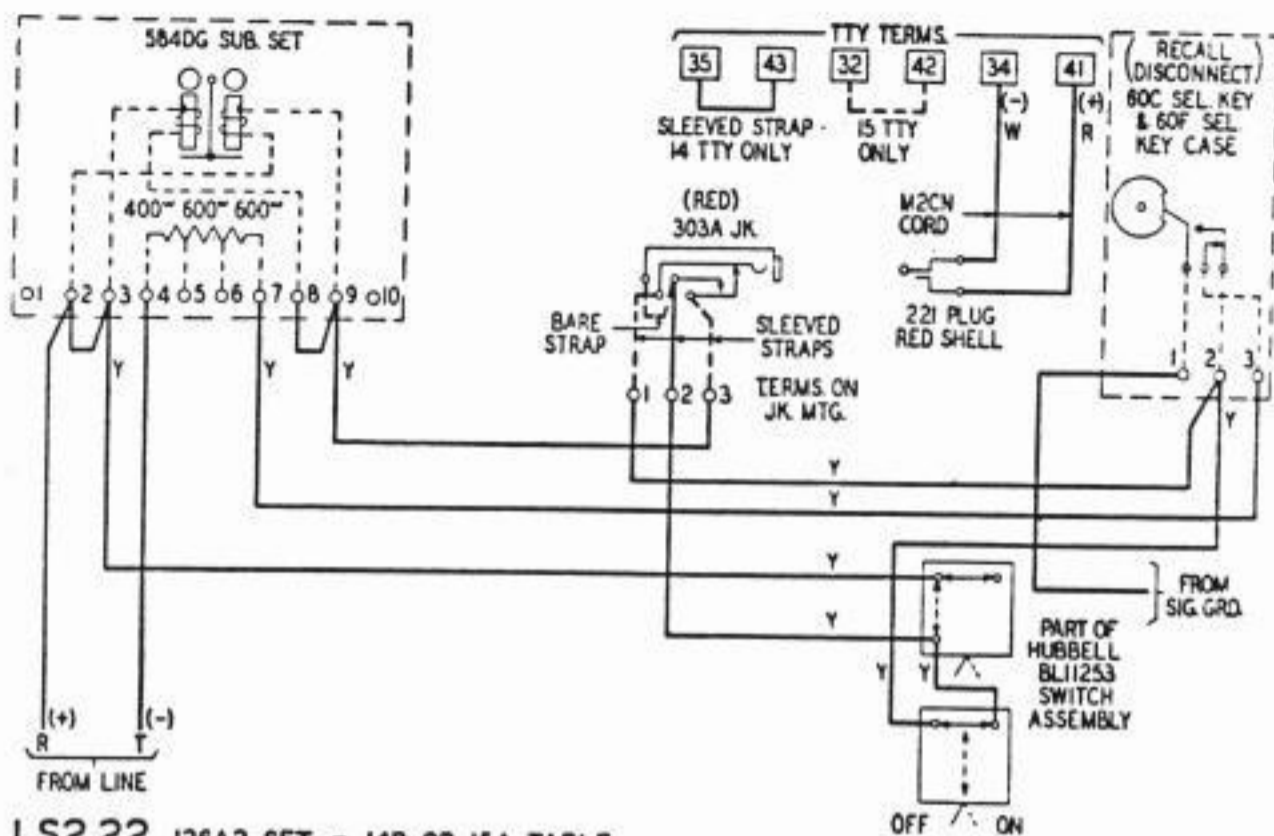


**LS2.20** 126A2 SET - 14B OR 15A TABLE  
OPEN LINE TLT BD. - LOCAL LINE

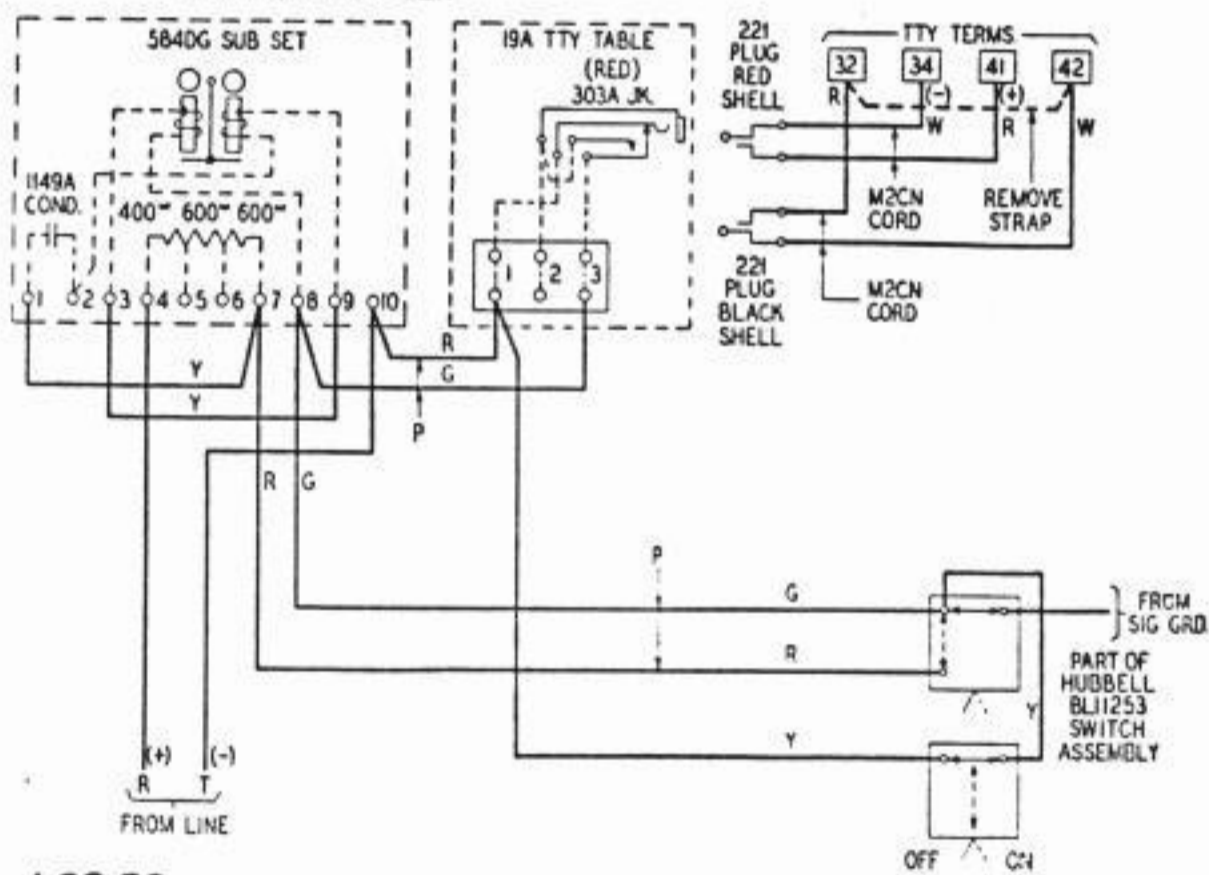


**LS2.21** 126A2 SET - 14B OR 15A TABLE,  
65B1 SWBD. - LOCAL LINE

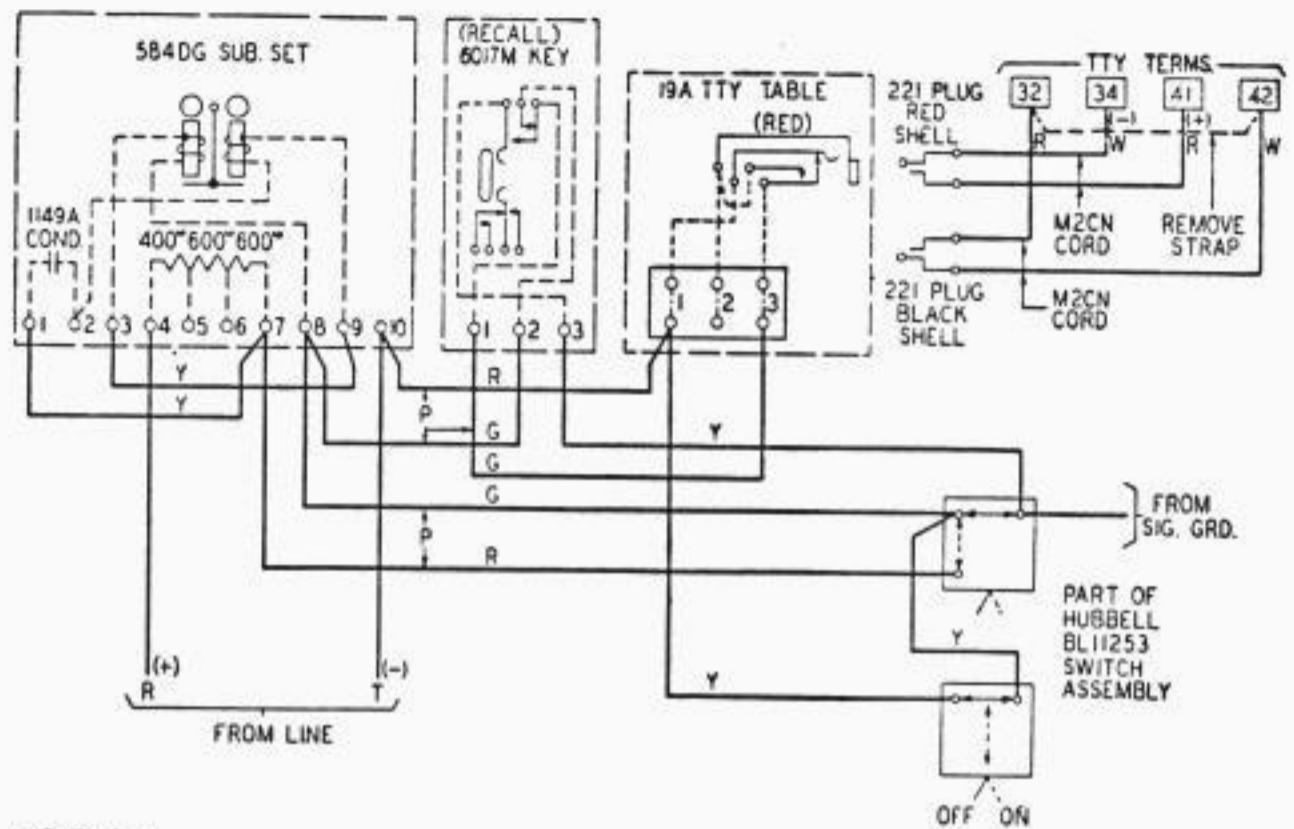
**126A2 SUB. SET  
15F OR 15G  
CONTROL PANEL  
LINE CONNECTIONS**



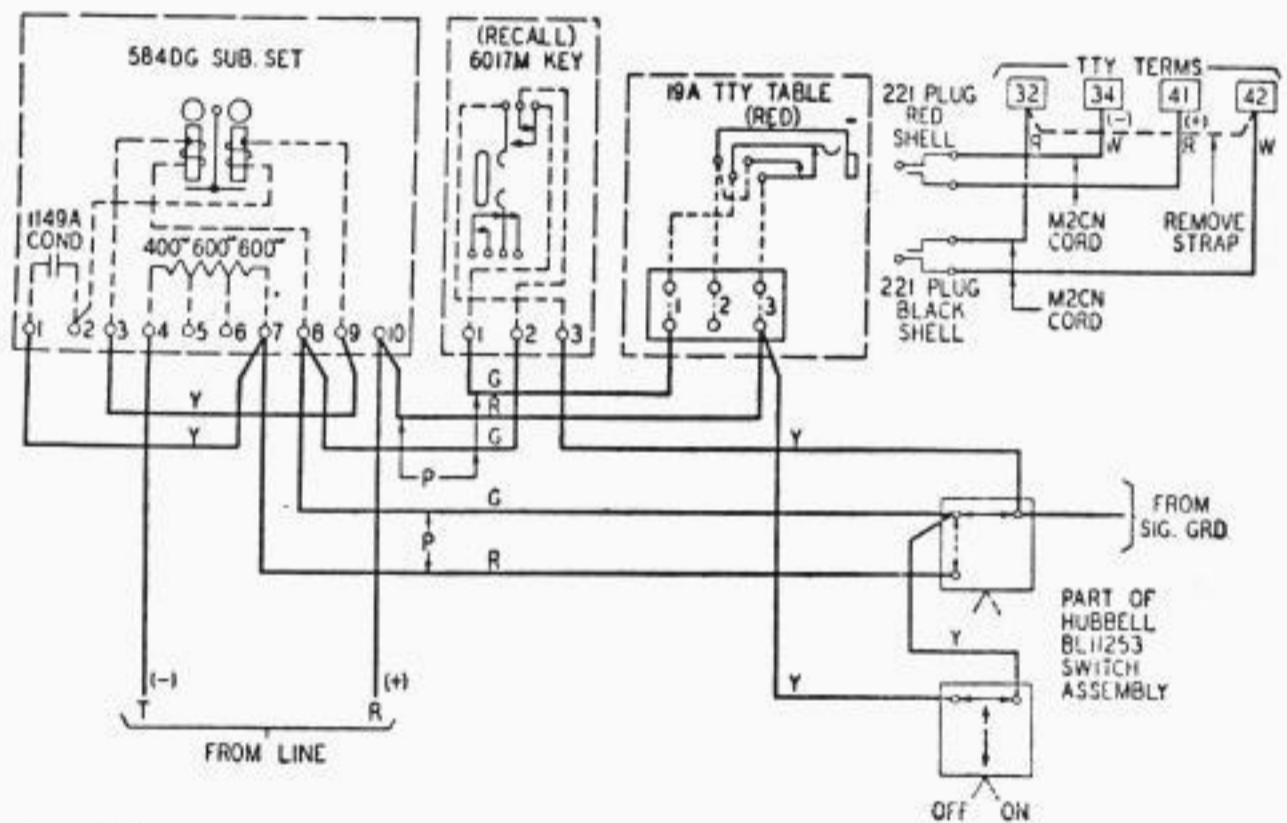
**LS2.22** 126A2 SET - 14B OR 15A TABLE  
CLOSED LINE TLT BD. - LOCAL LINE OR TLX  
65BI SWBD. - TLX



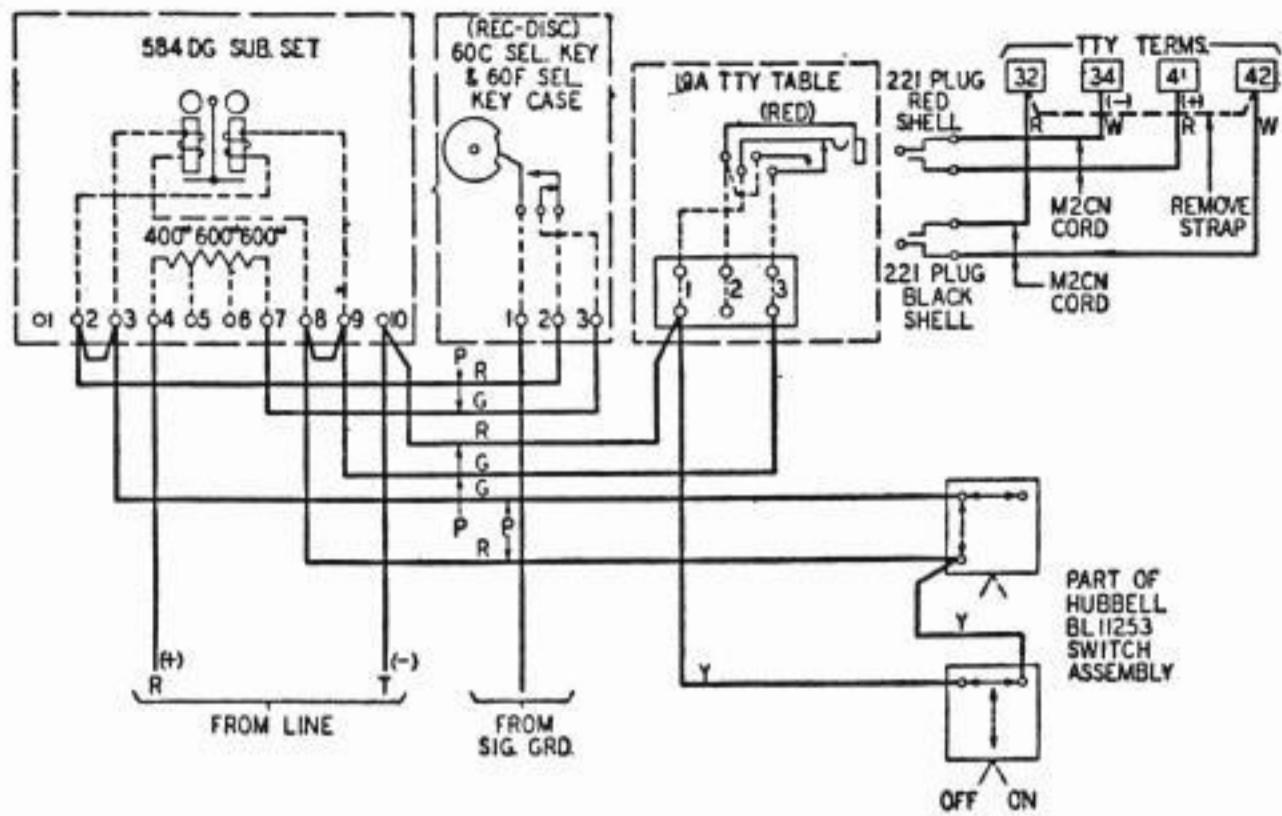
**LS2.23** 126A2 SET - 16A TABLE  
SWBDS. WITH FLASHING RECALL - LOCAL LINE



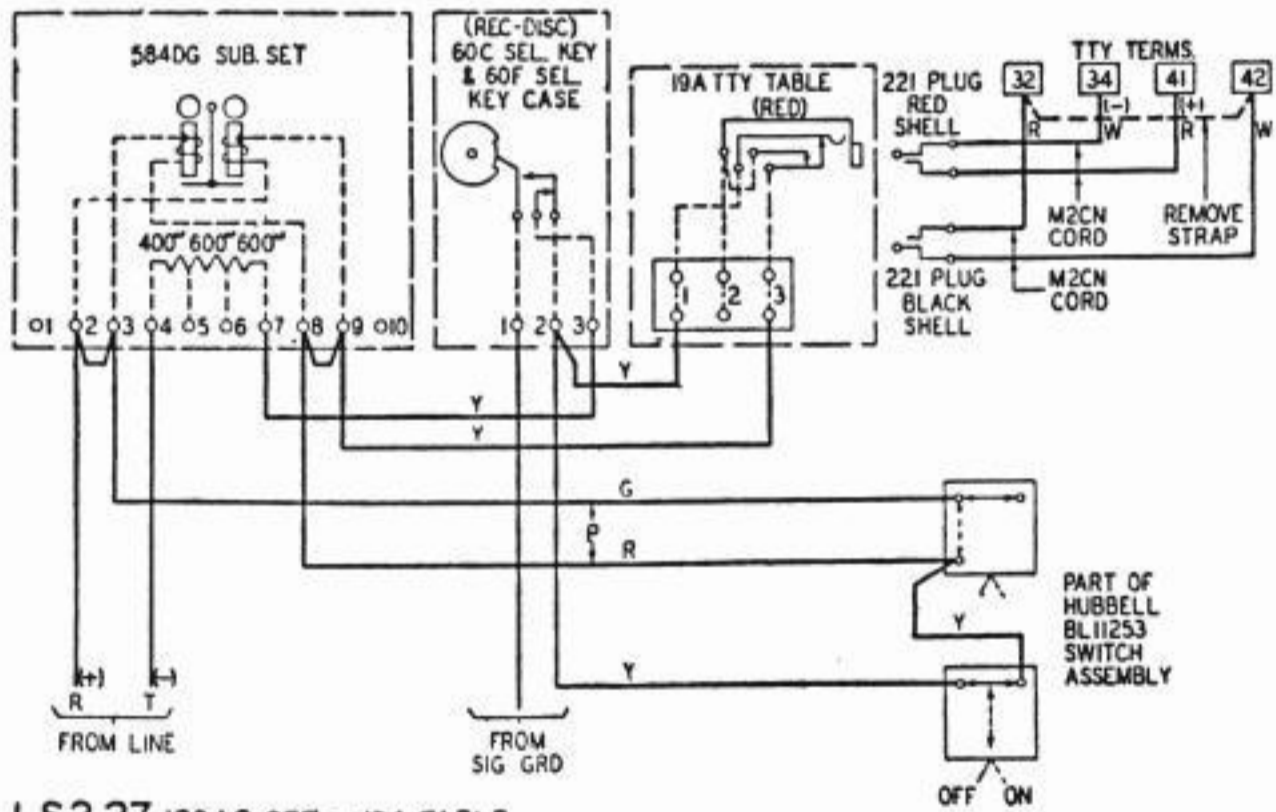
**LS2.24** 126A2 SET - 19A TABLE  
SWBDS. WITH MANUAL RECALL - LOCAL LINE



**LS2.25** 126A2 SET - 19A TABLE  
OPEN LINE TLT BD. - LOCAL LINE

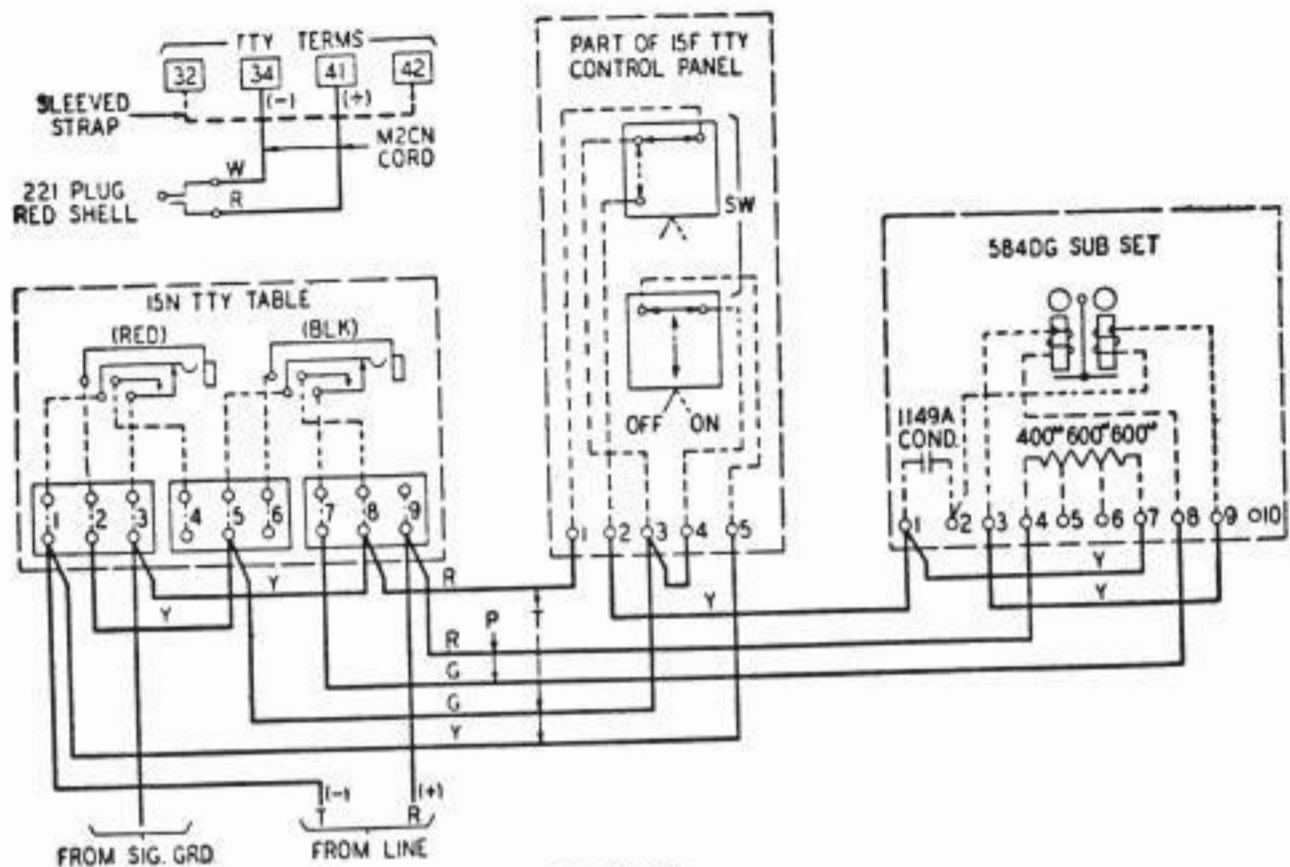


**LS2.26** 126A2 SET - 19A TABLE  
85BI SWBD. - LOCAL LINE

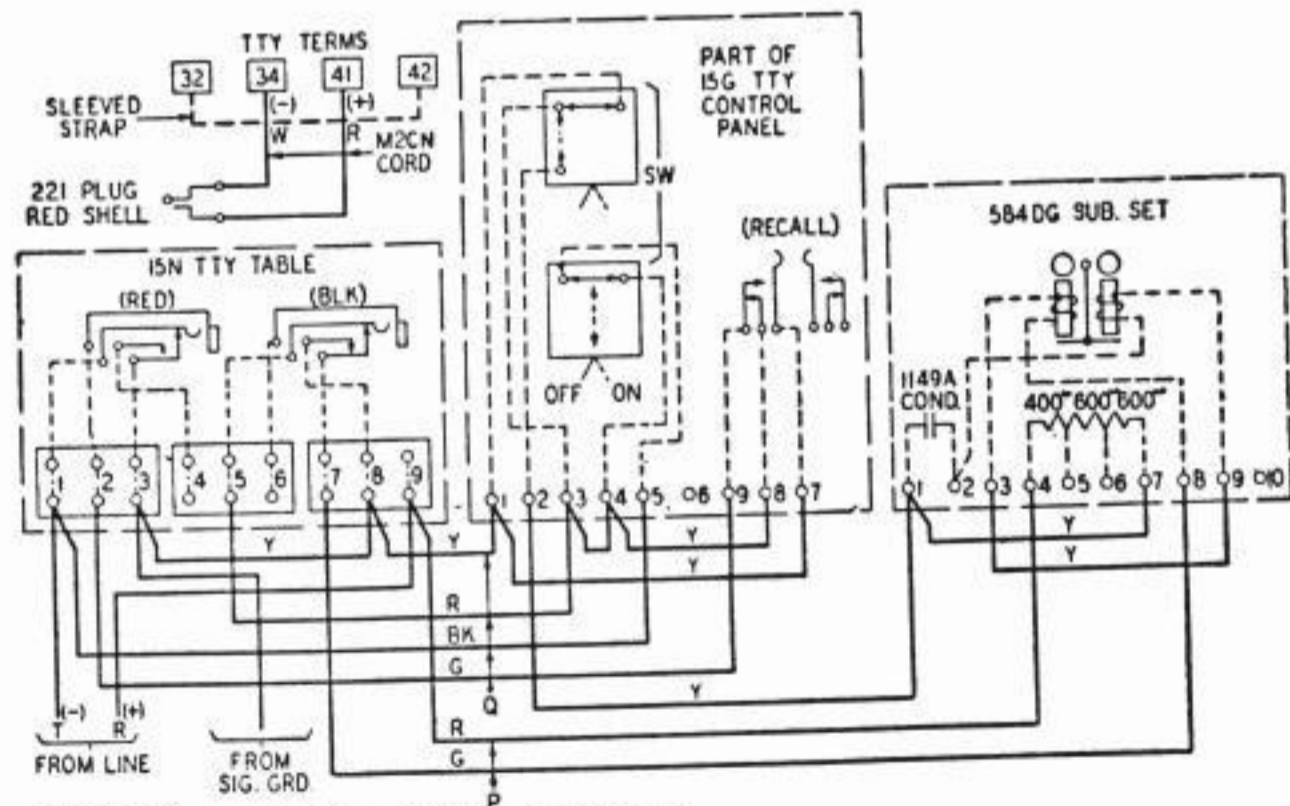


**LS2.27** 126A2 SET - 19A TABLE  
CLOSED LINE TLT BD. - LOCAL LINE OR TLX  
85BI SWBD. - TLX

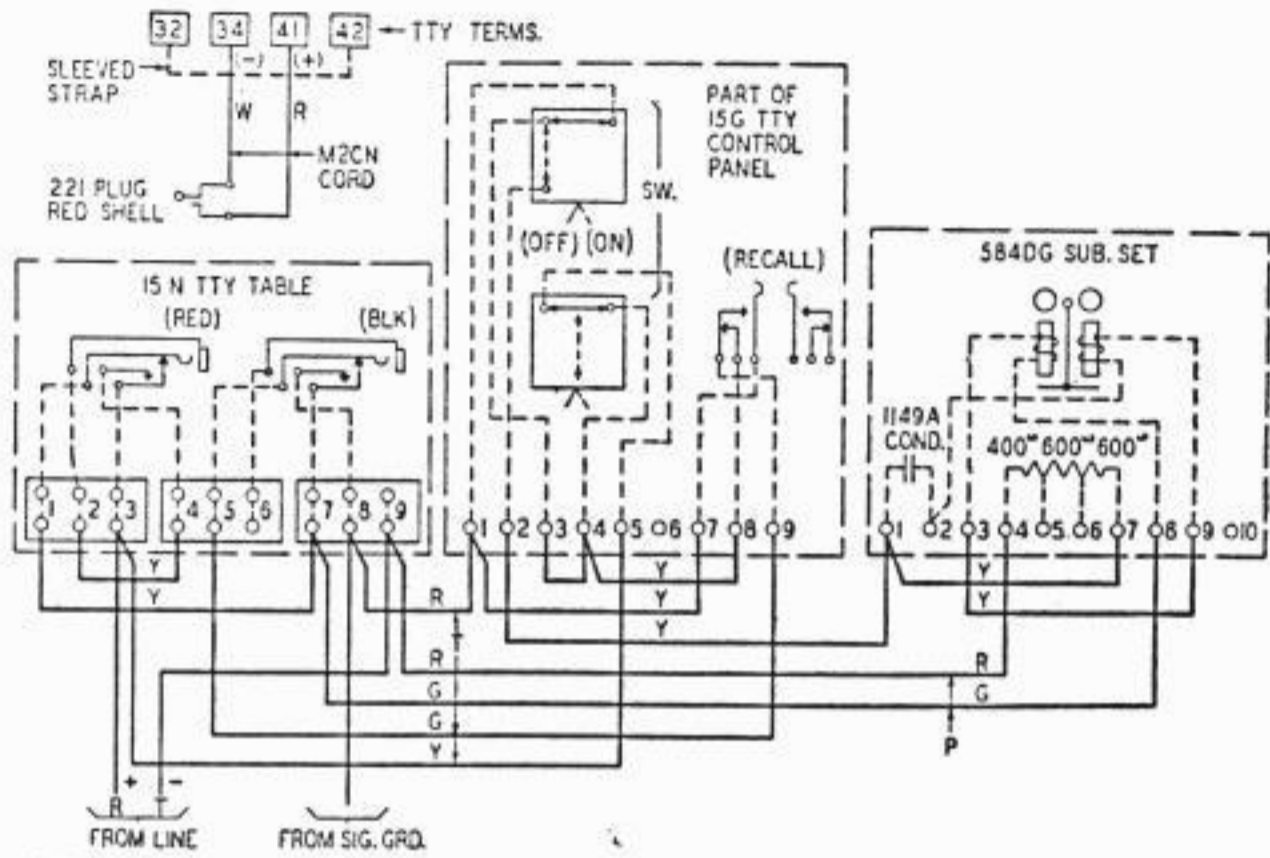




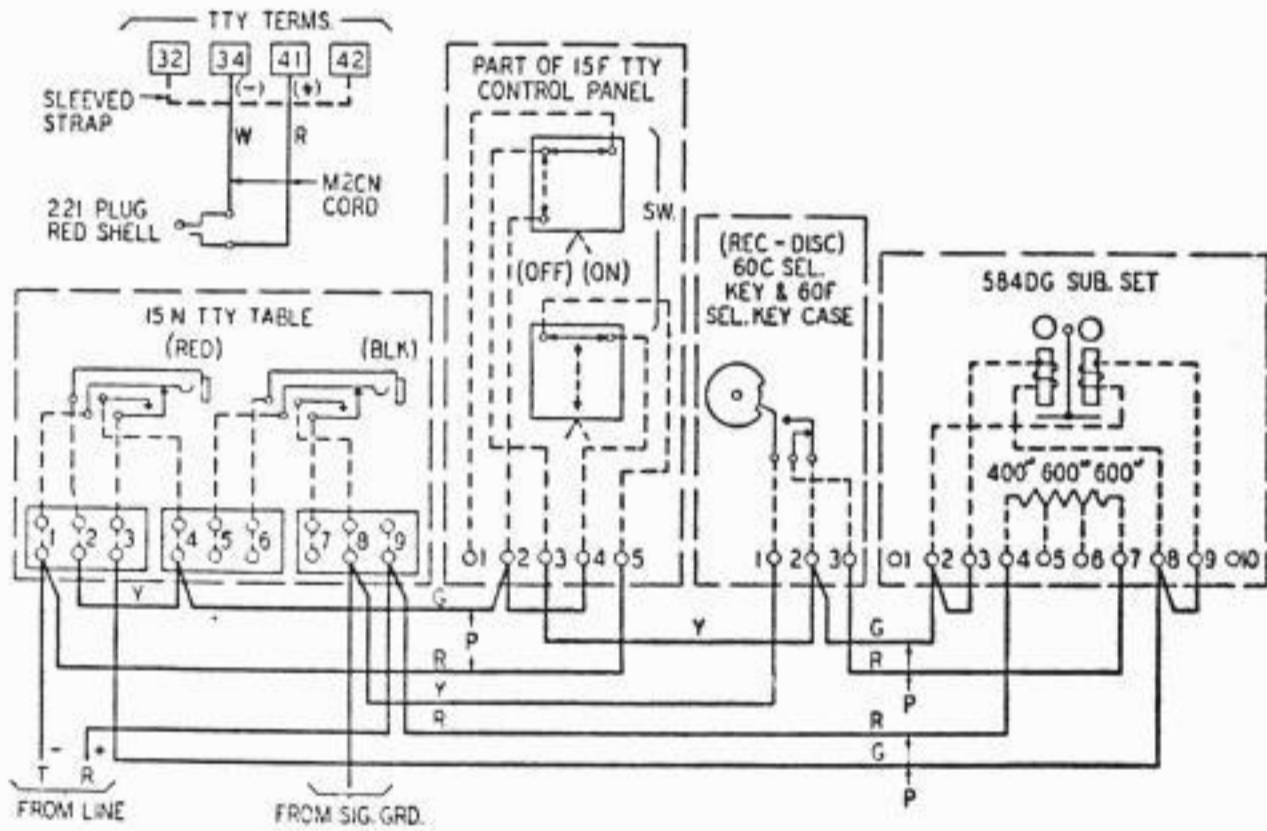
**LS2.28** 15F CONTROL PANEL - 15N TABLE  
SWBDS. WITH FLASHING RECALL - LOCAL LINE



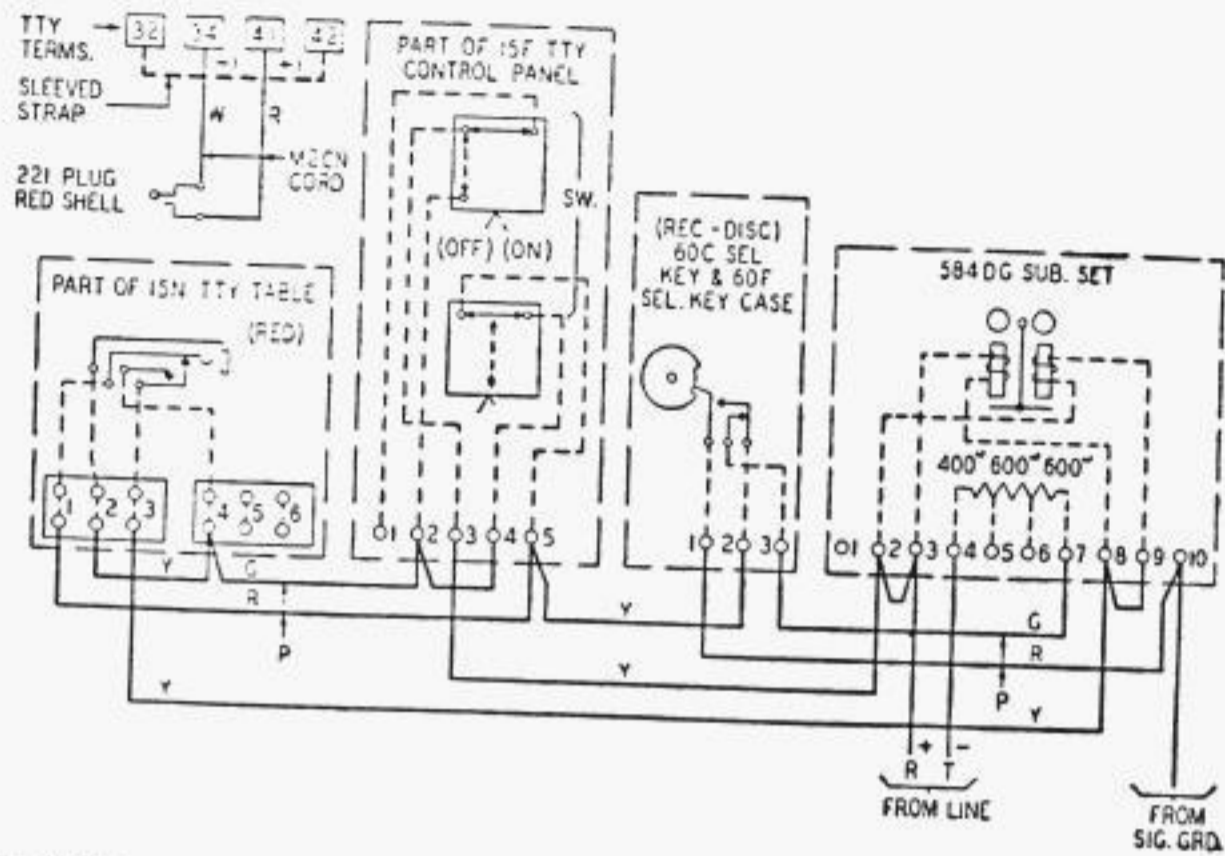
**LS2.29** 15G CONTROL PANEL - 15N TABLE  
SWBDS. WITH MANUAL RECALL - LOCAL LINE



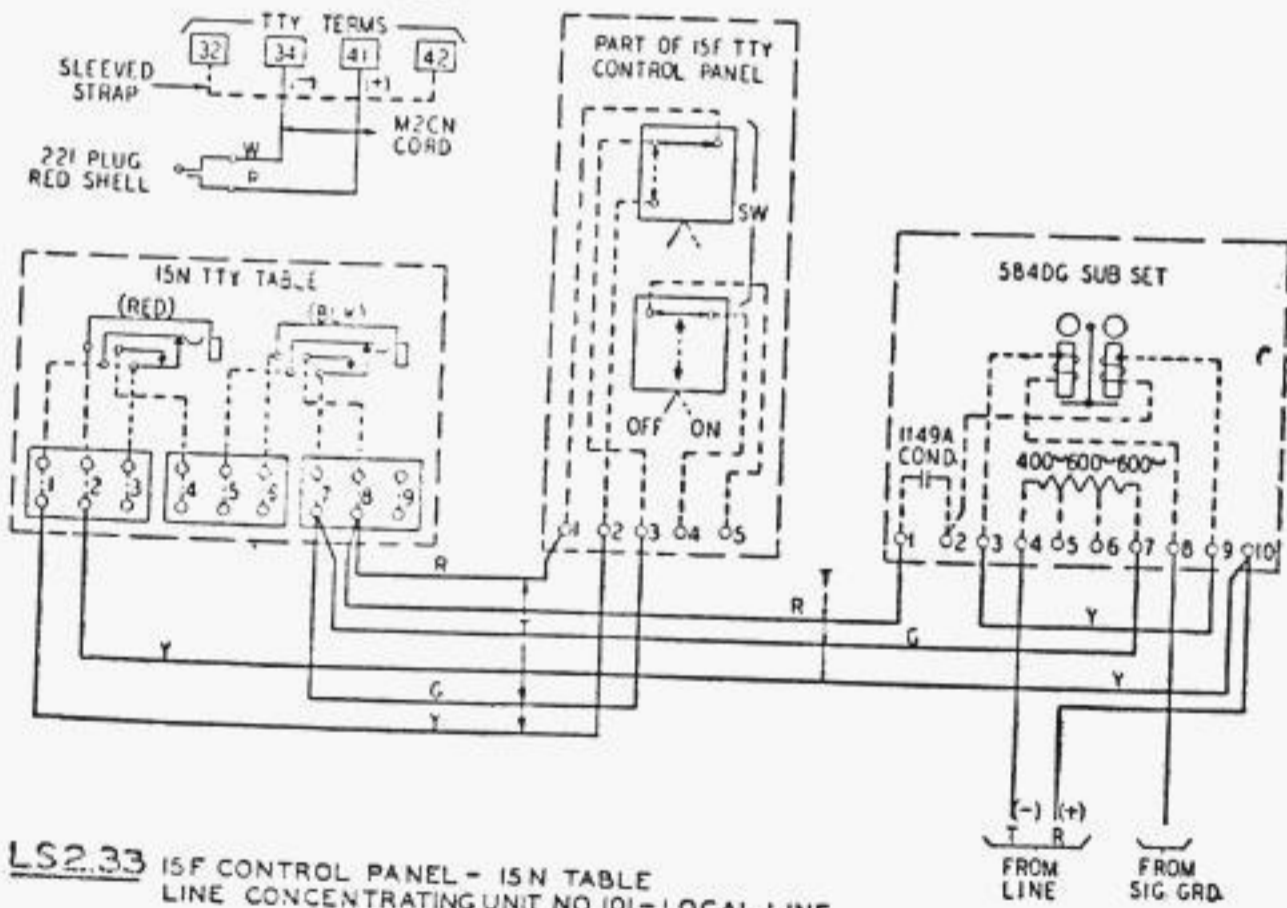
**LS2.30** 15G CONTROL PANEL - 15N TABLE  
OPEN LINE TLT BD. - LOCAL LINE



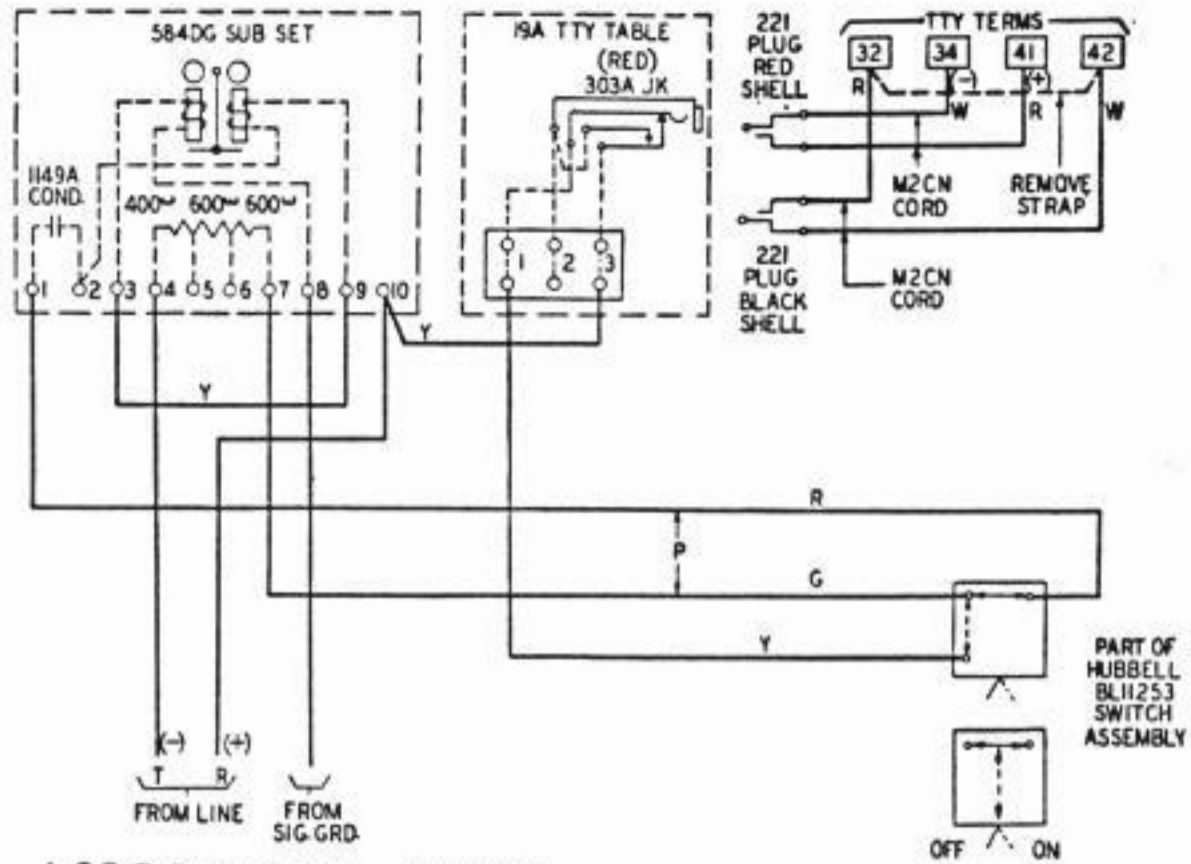
**LS2.31** 15F CONTROL PANEL - 15N TABLE  
65BI SWBD. - LOCAL LINE



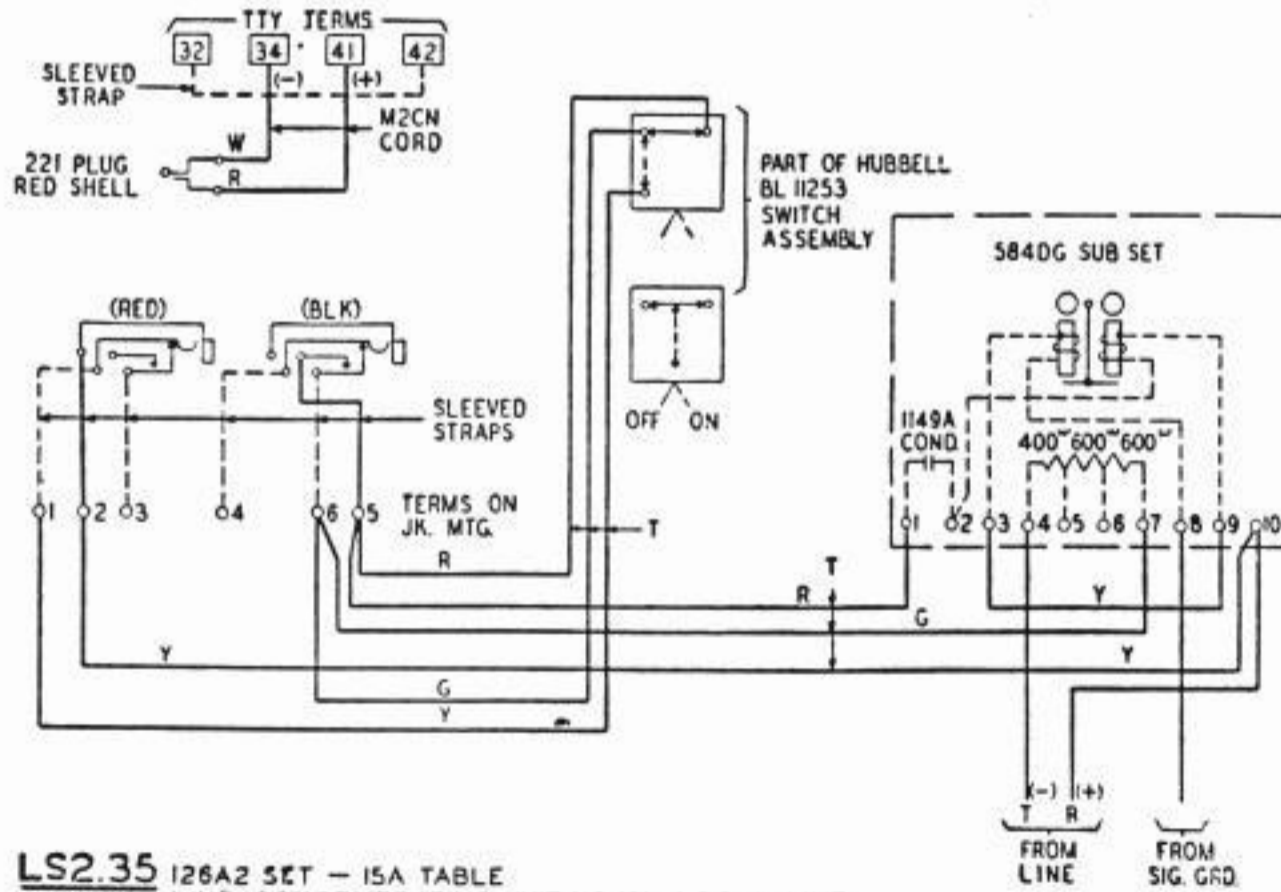
**LS2.32** 15F CONTROL PANEL - 15N TABLE  
 CLOSED LINE TLT BD. - LOCAL LINE OR TLX  
 6581 SWBD. - TLX



**LS2.33** 15F CONTROL PANEL - 15N TABLE  
 LINE CONCENTRATING UNIT NO 101 - LOCAL LINE



**LS2.34** 126A2 SET - 19A TABLE  
LINE CONCENTRATING UNIT NO.101 - LOCAL LINE



**LS2.35** 126A2 SET - 15A TABLE  
LINE CONCENTRATING UNIT NO.101 - LOCAL LINE