

BELL SYSTEM PRACTICES
Teletypewriter and Manual
Telegraph Station and P.B.X.
Installation and Maintenance

SECTION P30.560
Issue 3, January, 1951
AT&T Co Standard

LINE CONNECTIONS

120C1 AND 120C2 SUBSCRIBER SETS

- 1.01 This section covers the line connections of the 120C1 and 120C2 Teletypewriter Subscriber Sets.
- 1.02 This section is reissued to bring cord, plug and rubber covered cordage up to date.

<u>Plan Number</u>	<u>Title</u>
LS1.04	15N Table Open Line TLT Bd.—Local Line
LS1.05	19A Table Open Line TLT Bd.—Local Line
LS1.06	15N Table Swbds. with Manual Recall—Local Line
LS1.07	19A Table Swbds. with Manual Recall—Local Line
LS1.08	15N Table Swbd. No. 5, No. 3, or 3A with Flashing Recall— Local Line
LS1.09	19A Table Swbd. No. 5, No. 3, or 3A with Flashing Recall— Local Line
LS1.10	15N Table Line Concentrating Unit No. 101—Local Line
LS1.11	19A Table Line Concentrating Unit No. 101—Local Line

Note: See M Plans as follows:

LS1.04	M2.01, M2.05, M2.09, M2.10, M2.12, M2.15, M2.16, M2.18, M2.21, M2.22, M2.30, M2.32
LS1.05	M2.01, M2.05, M2.09, M2.10, M2.12, M2.15, M2.16, M2.18, M2.21, M2.22, M2.30, M2.32
LS1.06	M2.01, M2.05, M2.09, M2.10, M2.12, M2.15, M2.16, M2.18, M2.21, M2.22, M2.30, M2.32
LS1.07	M2.01, M2.05, M2.09, M2.10, M2.12, M2.15, M2.16, M2.18, M2.21, M2.22, M2.30, M2.32
LS1.08	M2.01, M2.05, M2.09, M2.10, M2.12, M2.15, M2.16, M2.18, M2.21, M2.22, M2.30, M2.32
LS1.09	M2.01, M2.05, M2.09, M2.10, M2.12, M2.15, M2.16, M2.18, M2.21, M2.22, M2.30, M2.32
LS1.10	M2.09, M2.10, M2.12, M2.15, M2.16, M2.21, M2.22, M2.28, M2.30, M2.31, M2.32

LS1.11 M2.09, M2.10, M2.12, M2.15, M2.16, M2.21,
M2.22, M2.30, M2.32, M3.06, M3.07

These M Plans provide the following features:

- M2.01 Operation without line relay (15A, B, Base)
- M2.05 Operation in 60 mil circuit (15B Base)
- M2.09 Contact protection for motor control contacts when used with external relay on A-C power (15B Base)
- M2.10 Connection of TTY permanently in line condition (15A, B, C, D, E, Keyboard and 15A, B, C, D, E, F, Perforator-Transmitter)
- M2.12 Connection for remote motor control (15A, B, Base)
- M2.15 Connection of fuse for use with external power relay (15B Base)
- M2.16 Operation with line relay (15C Base)
- M2.18 Operation of line relay in 60 mil circuit (15C Base with line relay)
- M2.21 Contact protection for motor control contacts when used with external relay on A-C power (15C Base)
- M2.22 Connection for remote motor control (15C Base)
- M2.28 Operation in 5-25 mil circuit (15B Base)
- M2.30 Connection of fuse for use with external power relay (15C Base)
- M2.31 Operation in 5-25 mil circuit (15C Base)
- M2.32 15J, K motor units (15A, B, Bases)
- M3.06 Operation in 5-25 mil circuit (15B Base) (19 type TTY)
- M3.07 Operation in 5-25 mil circuit (15C Base) (19 type TTY)

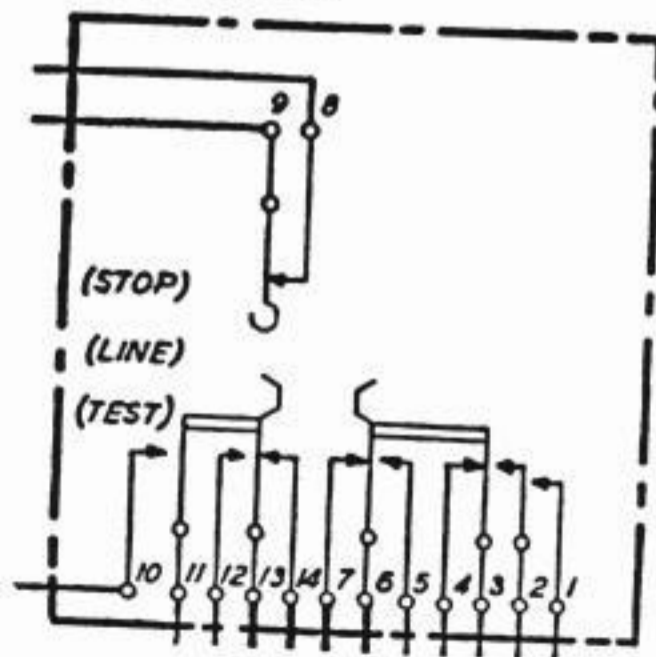


Fig. 1. Spl. 6017 Key per D99010.

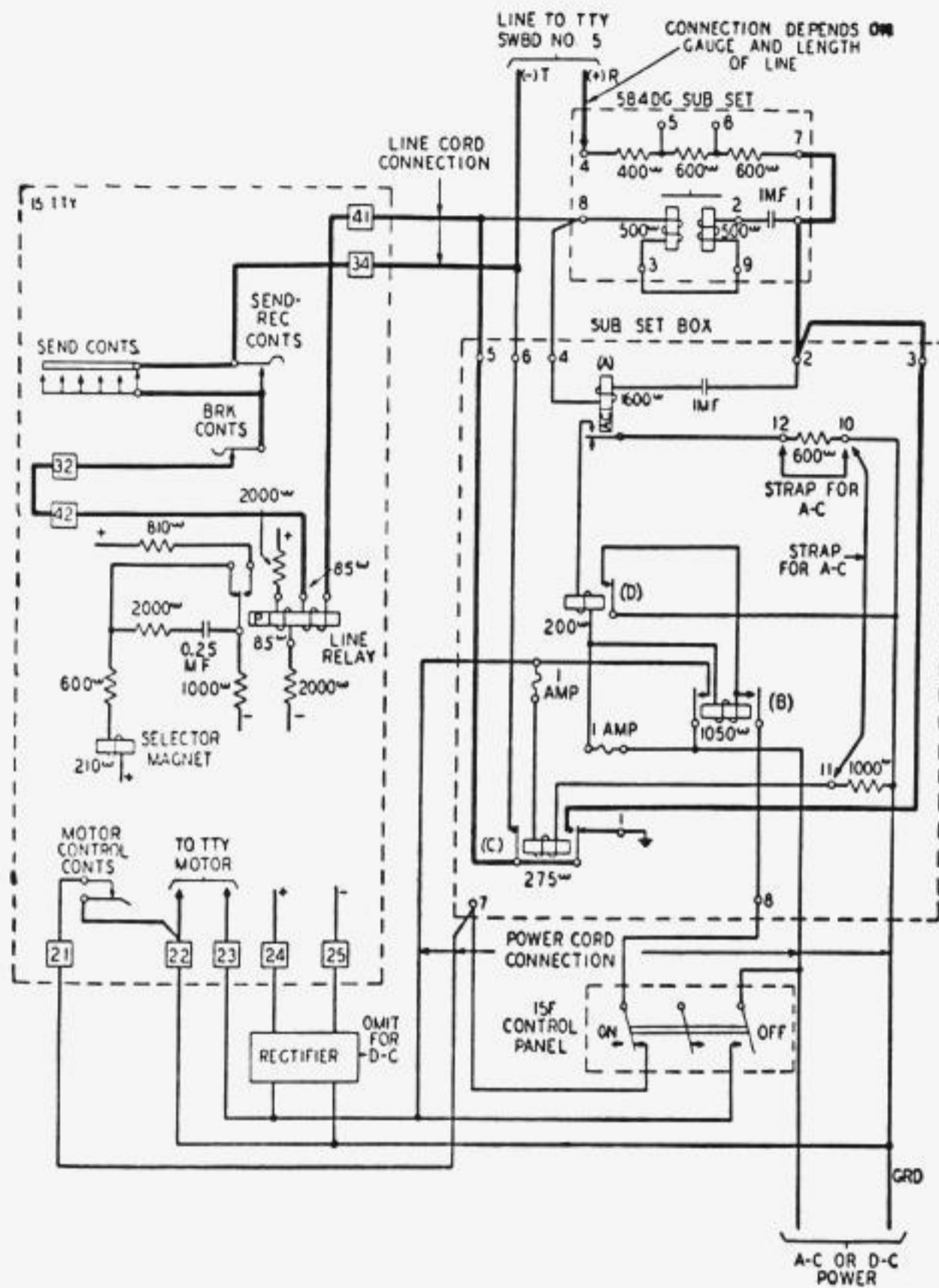


Fig. 2. Typical Station Arrangement Employing 120C1 Set

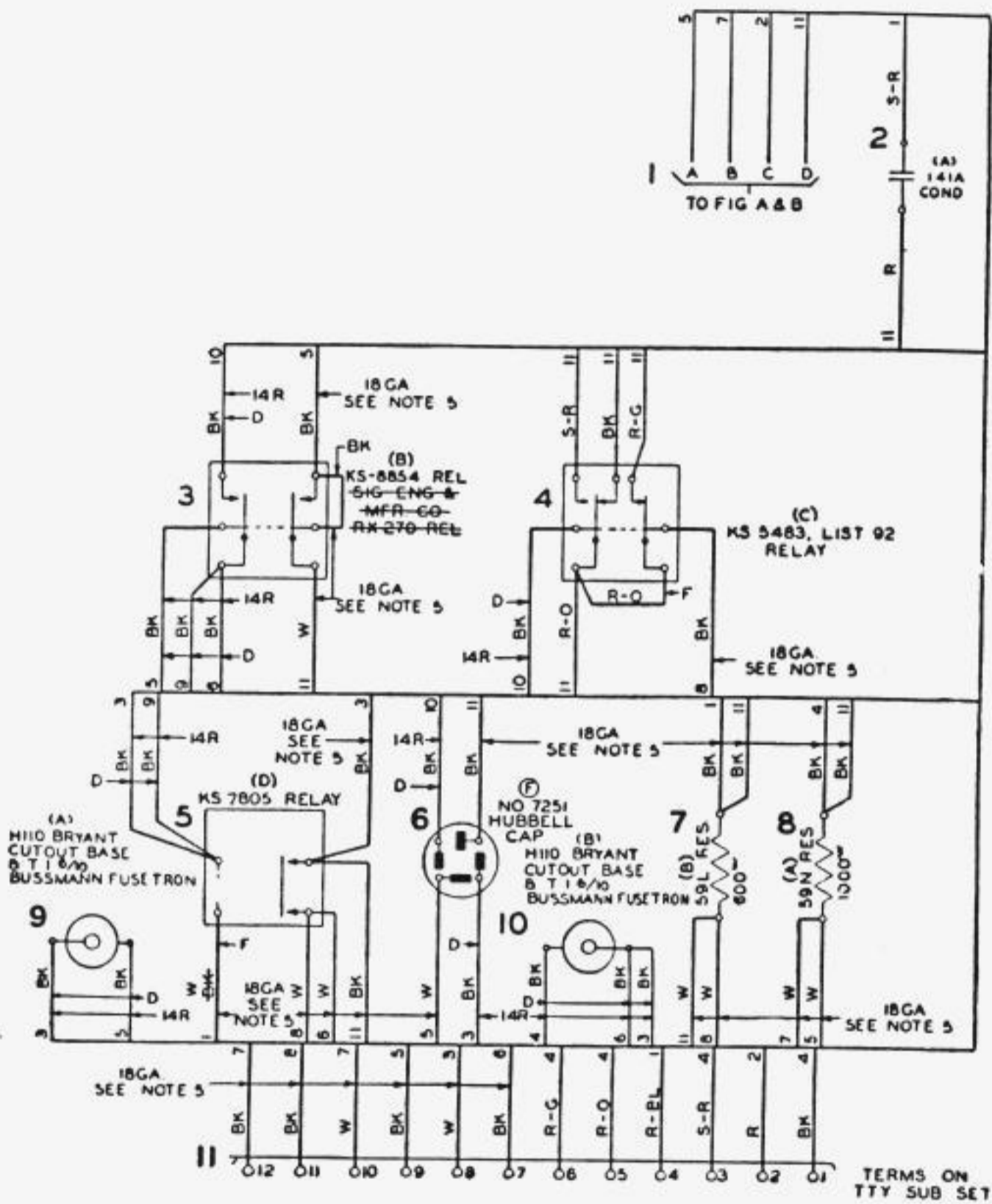
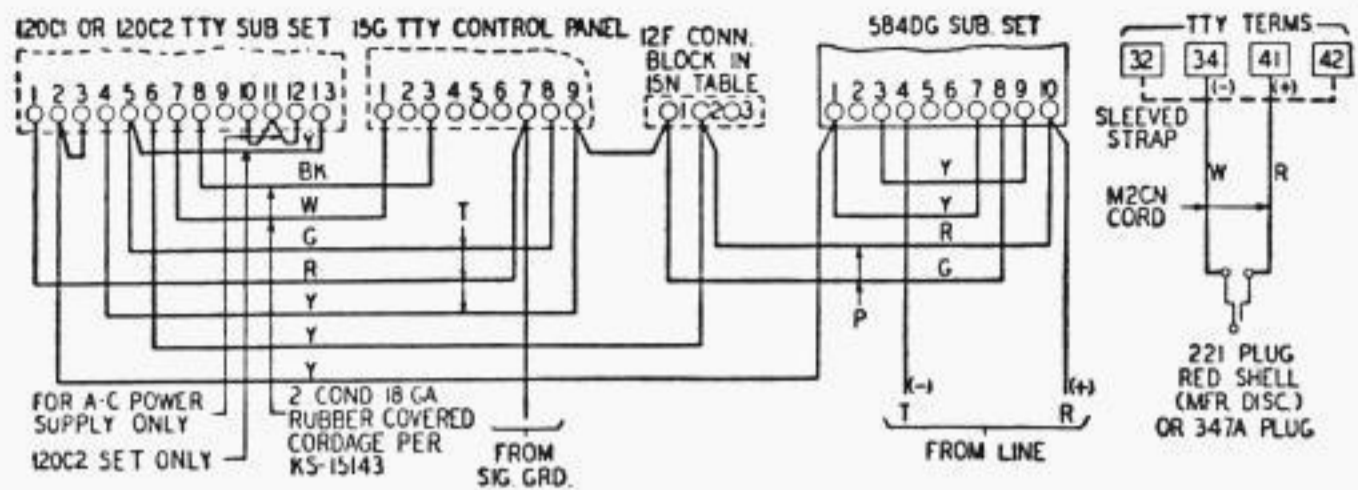
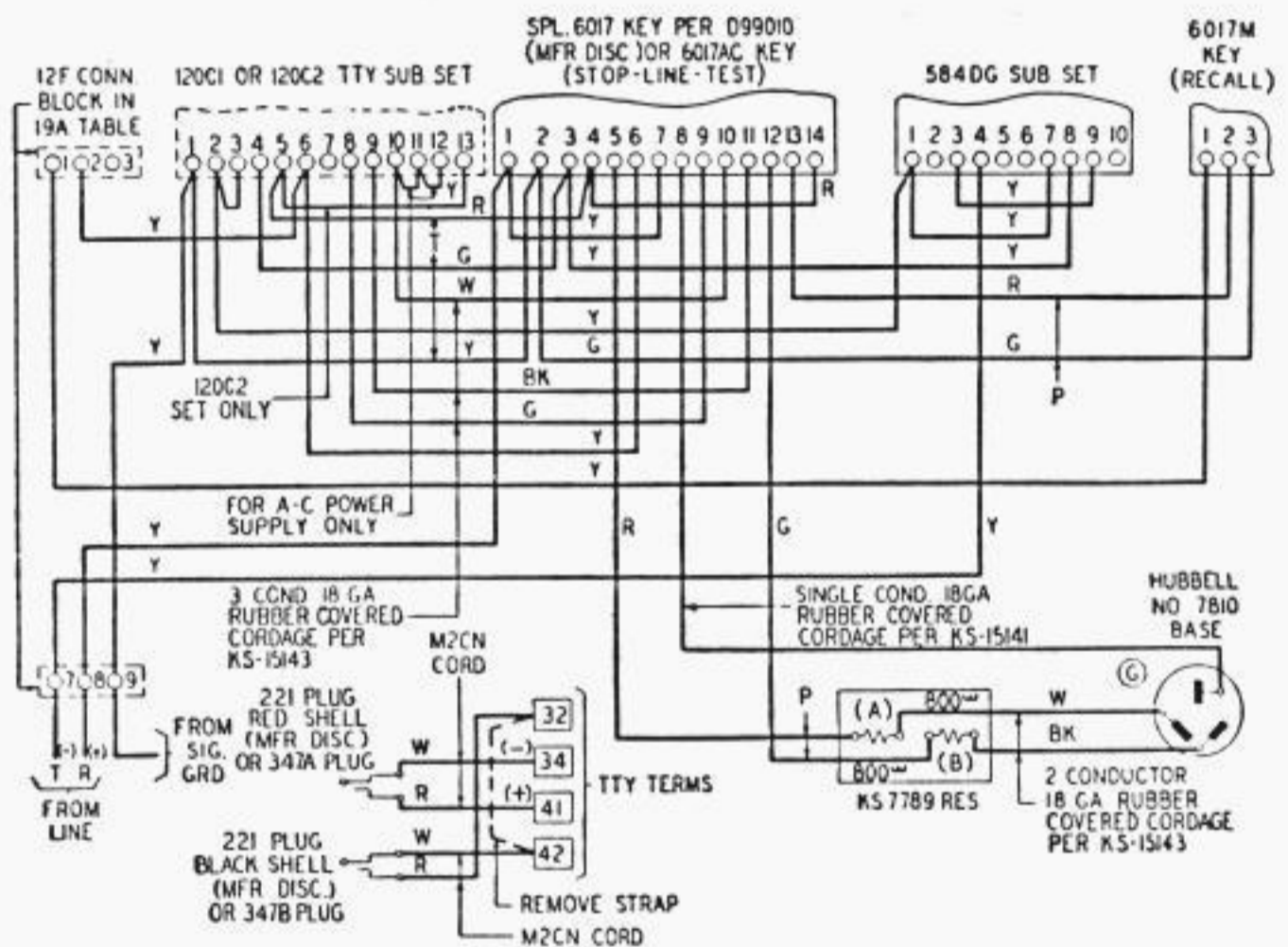


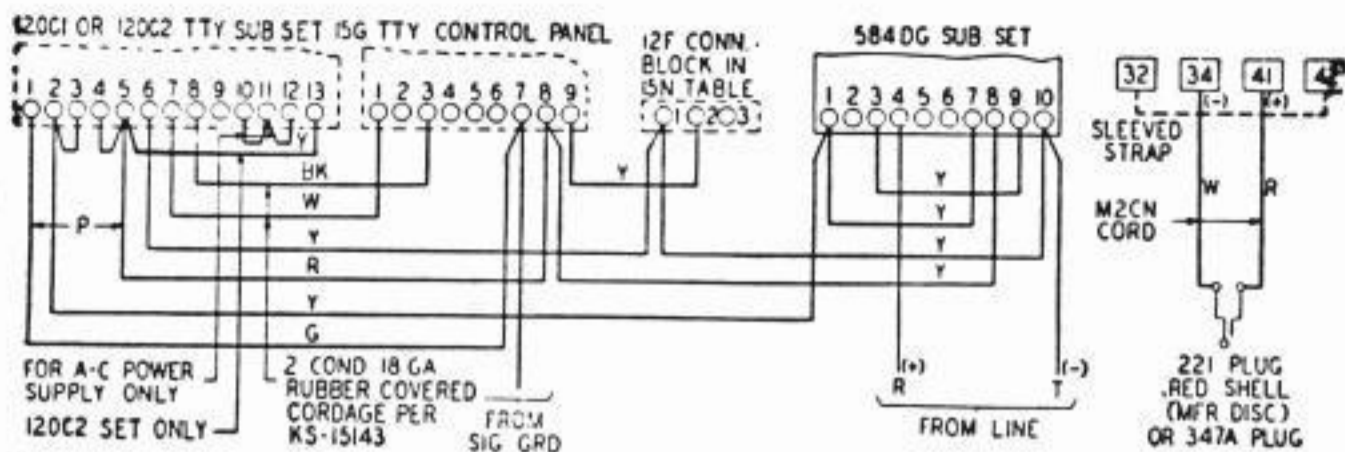
Fig. 3. Circuit Label 120C1 Set.



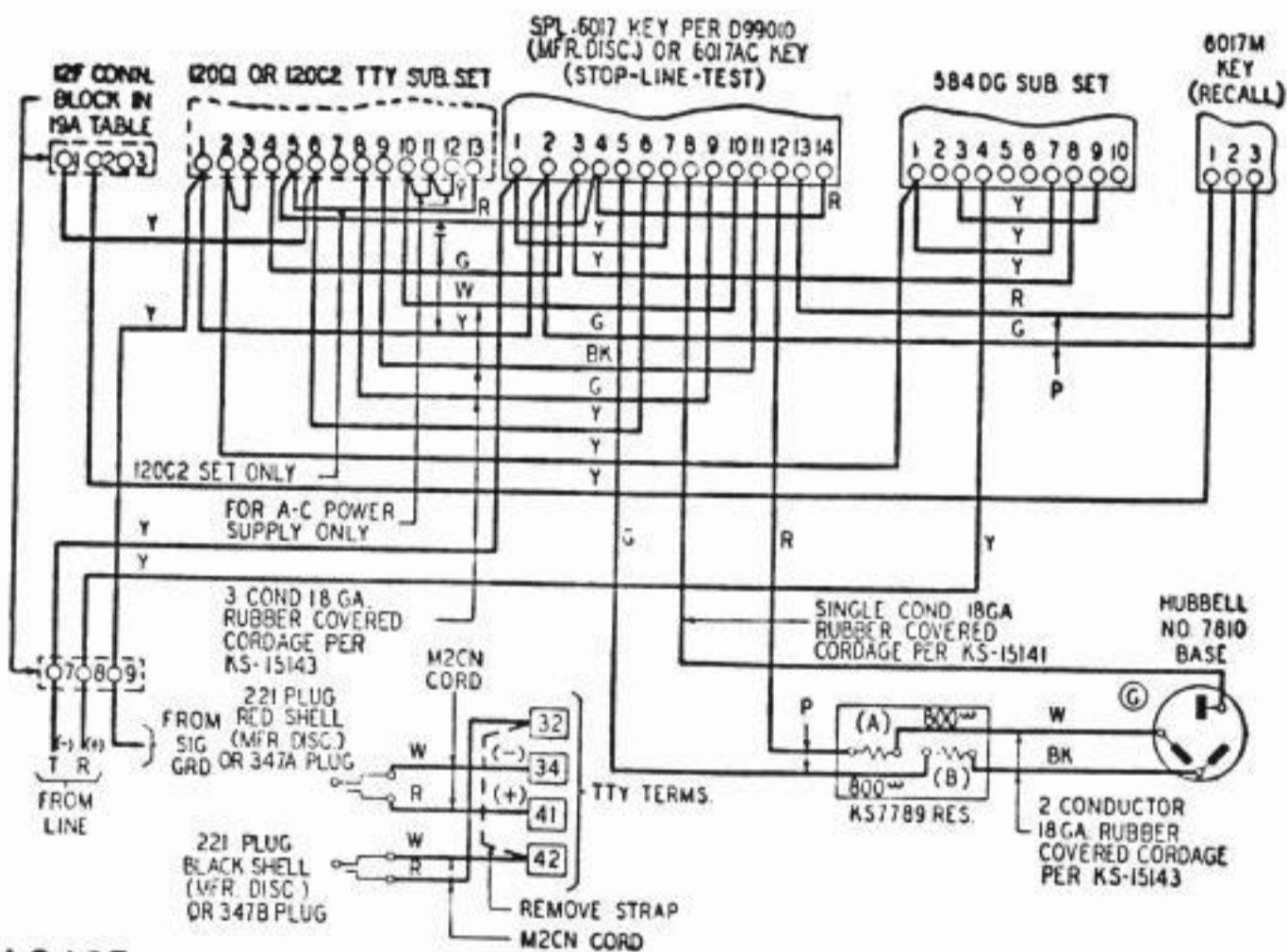
LSI.04 120C1 OR 120C2 SET - 15N TABLE
OPEN LINE TLT. BD. - LOCAL LINE



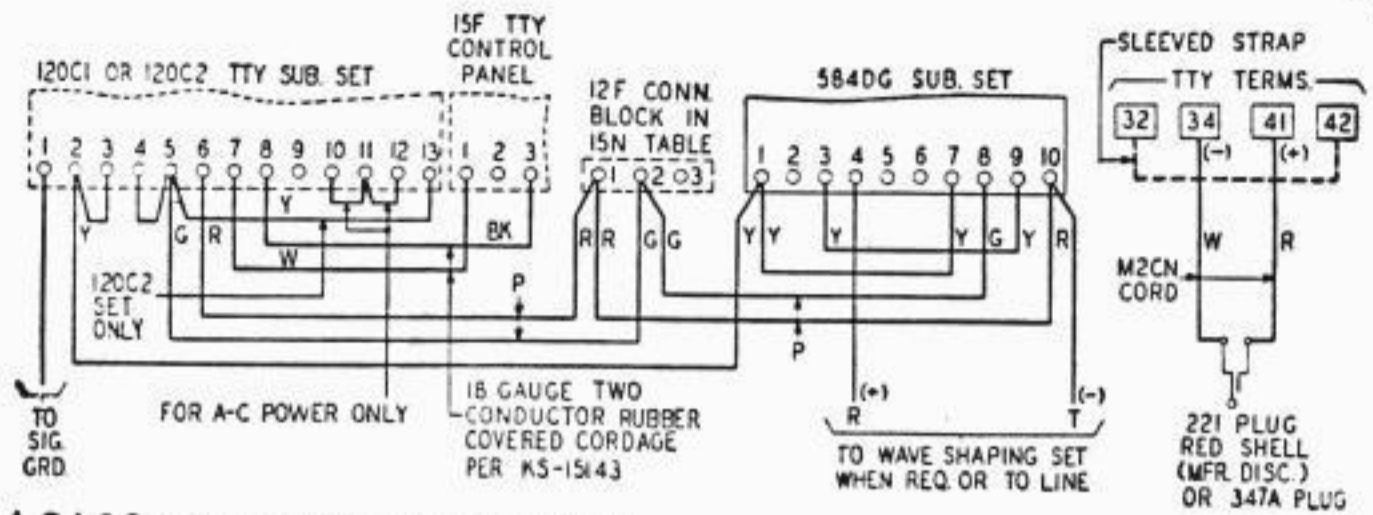
LSI.05 120C1 OR 120C2 SET - 19A TABLE
OPEN LINE TLT. BD. - LOCAL LINE



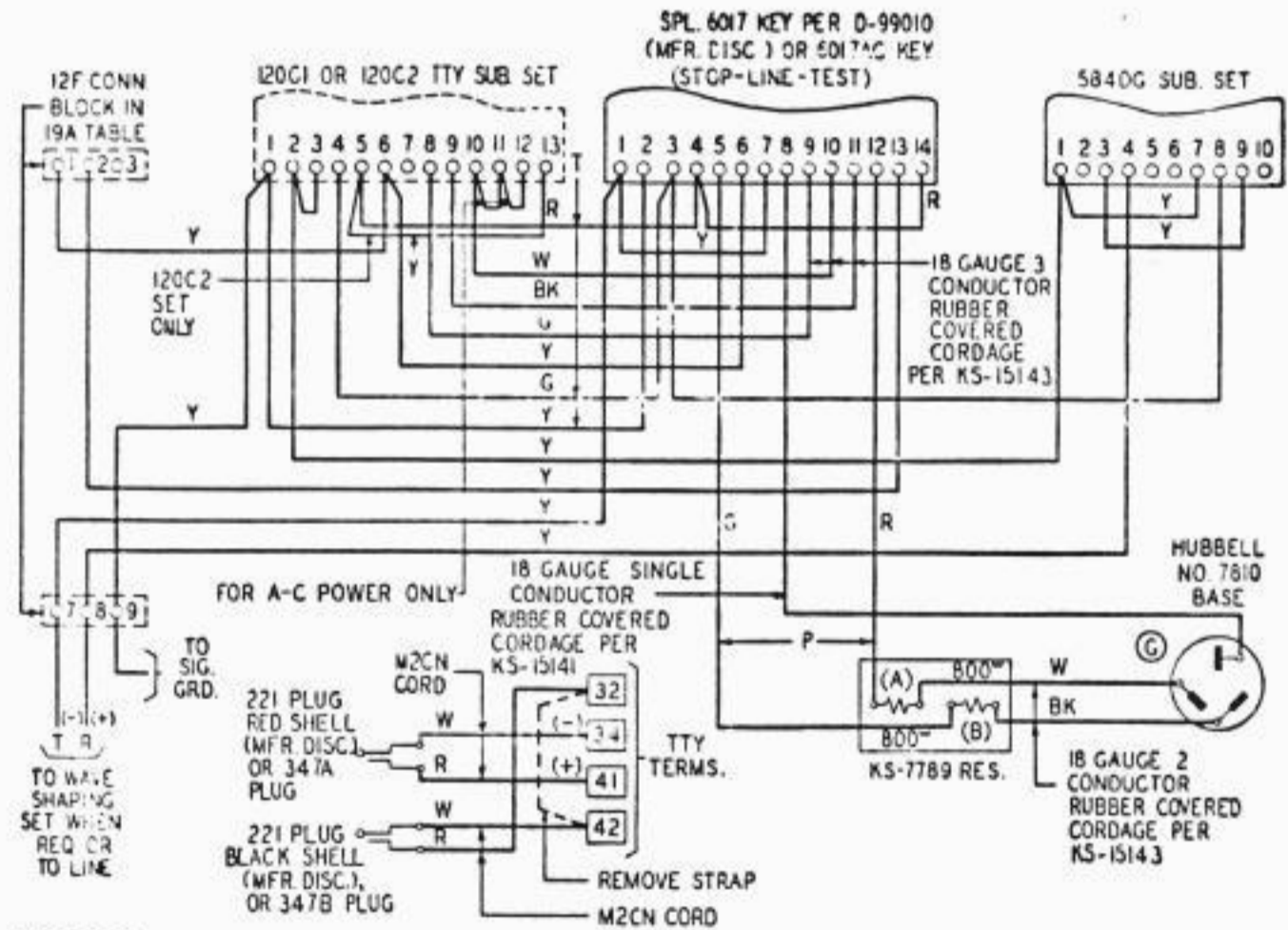
LSI.06 120C1 OR 120C2 SET- 15N TABLE SWBDS. WITH MANUAL RECALL - LOCAL LINE



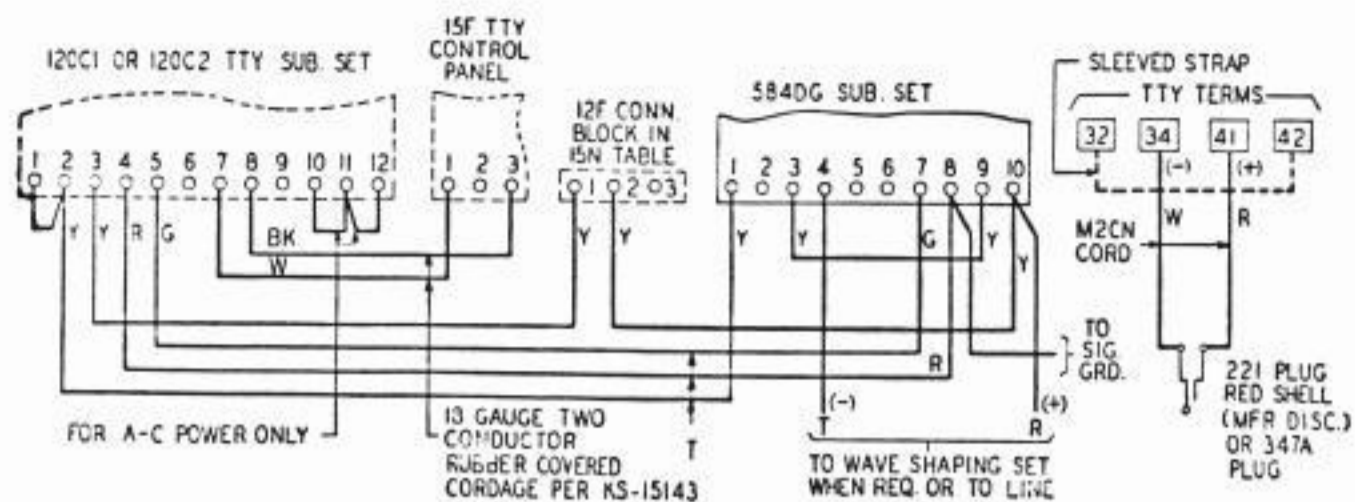
LSI.07 120C1 OR 120C2 SET-19A TABLE SWBDS WITH MANUAL RECALL - LOCAL LINE



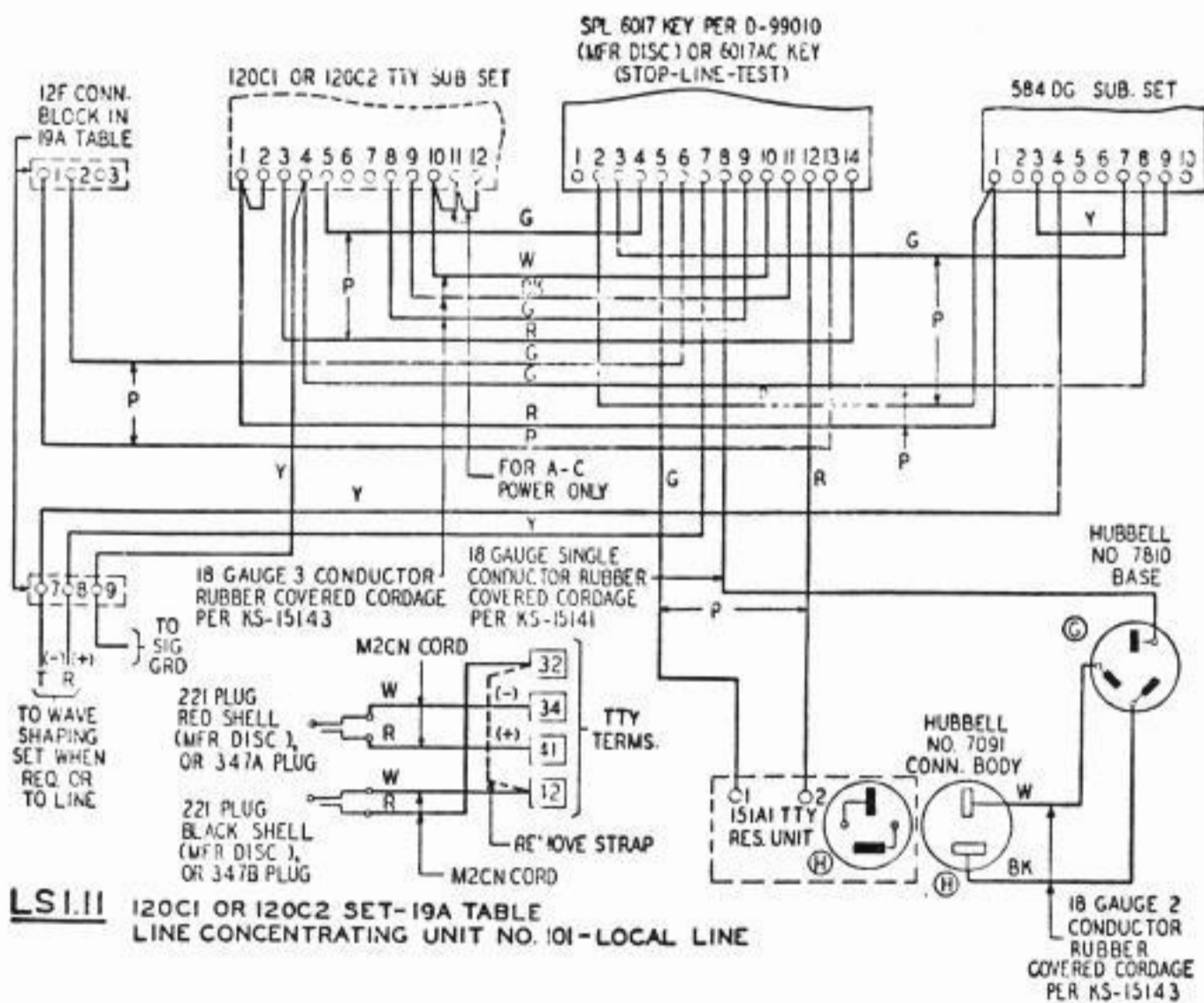
LSI.08 120C1 OR 120C2 SET-15N TABLE
SWBD. NO.5 OR NO.3 OR 3A WITH FLASHING RECALL - LOCAL LINE



LSI.09 120C1 OR 120C2 SET-19A TABLE
SWBD. NO.5 OR NO.3 OR 3A WITH FLASHING RECALL - LOCAL LINE



LS I.10 120C1 OR 120C2 SET - 15N TABLE
LINE CONCENTRATING UNIT NO. 101 - LOCAL LINE



LS I.11 120C1 OR 120C2 SET - 19A TABLE
LINE CONCENTRATING UNIT NO. 101 - LOCAL LINE