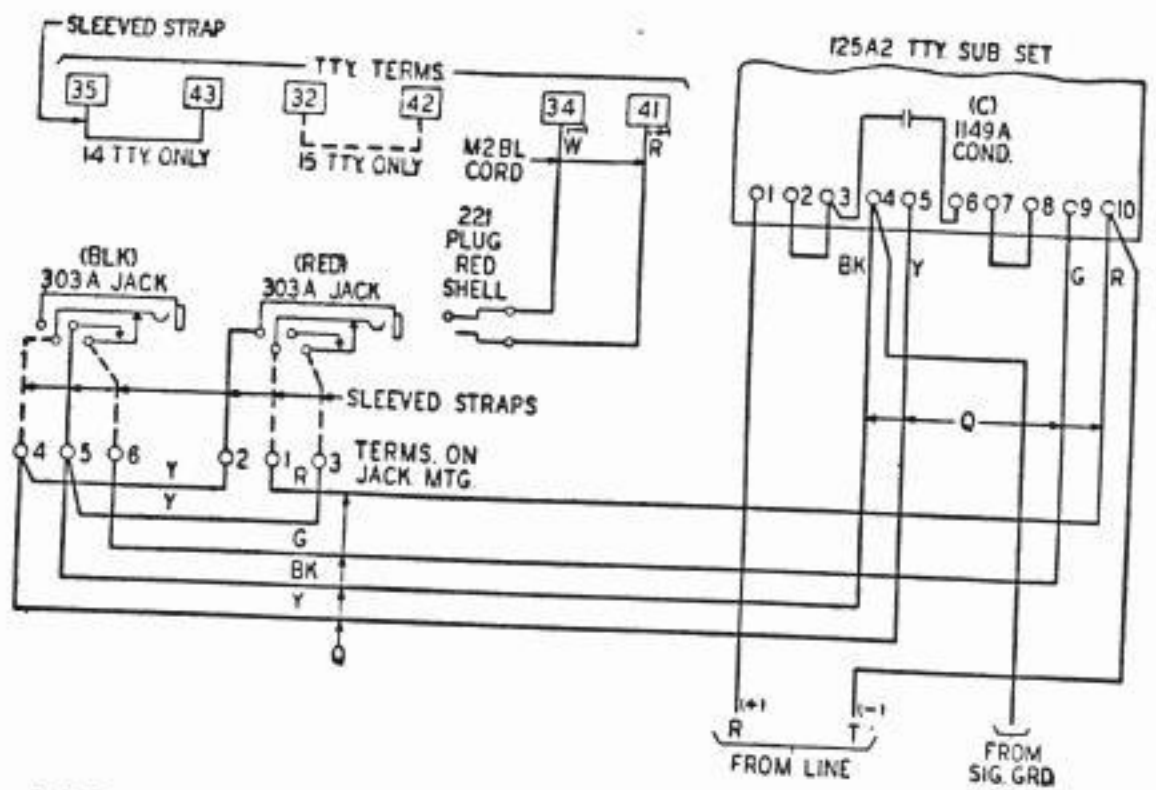


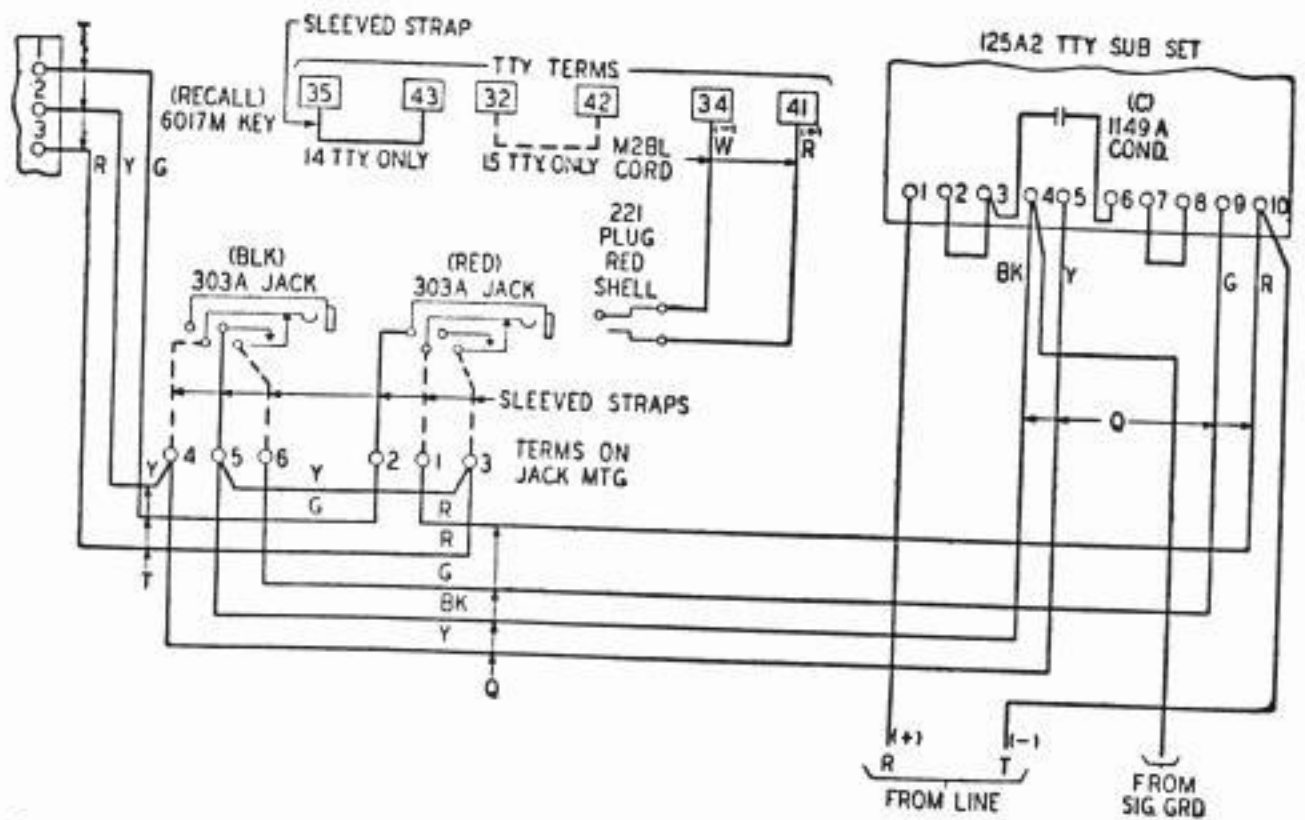
BELL SYSTEM PRACTICES
Teletypewriter and Manual
Telegraph Station and P.B.X.
Installation and Maintenance

SECTION P30.555
Issue 1, October, 1935
AT&T Co. Standard

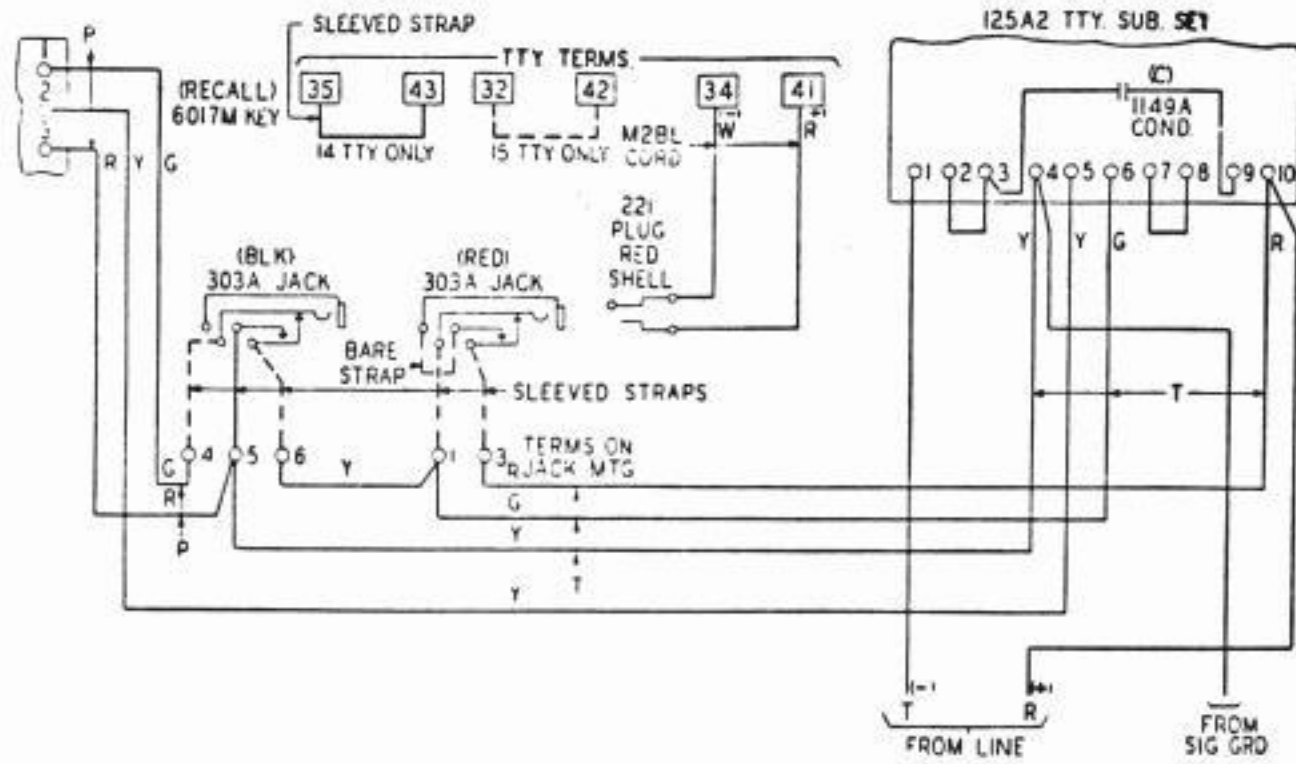
Plan Number	Title
LS1.81	14B or 15A Table (See M1.10). Swbd. No. 1—Local Line
LS1.82	14B or 15A Table (See M2.05, M2.06). Swbd. No. 3, 3A or 5—Local Line
LS1.83	14B or 15A Table (See M2.05, M2.06). Open Line TLT Bd.—Local Line
LS1.84	14B or 15A Table (See M2.05, M2.06). 65B1 Swbd.—Local Line
LS1.85	14B or 15A Table (See M2.05, M2.06). (A) Closed Line TLT Bd.—Local Line or TLX (B) 65B1 Swbd.—TLX
LS1.87	19A Table. Swbd. No. 1—Local Line
LS1.88	19A Table (See M2.05, M2.06). Swbd. No. 3, 3A or 5—Local Line
LS1.89	19A Table (See M2.05, M2.06). Open Line TLT Bd.—Local Line
LS1.90	19A Table (See M2.05, M2.06). 65B1 Swbd.—Local Line
LS1.91	19A Table (See M2.05, M2.06) (A) Closed Line TLT Bd.—Local Line or TLX (B) 65B1 Swbd.—TLX



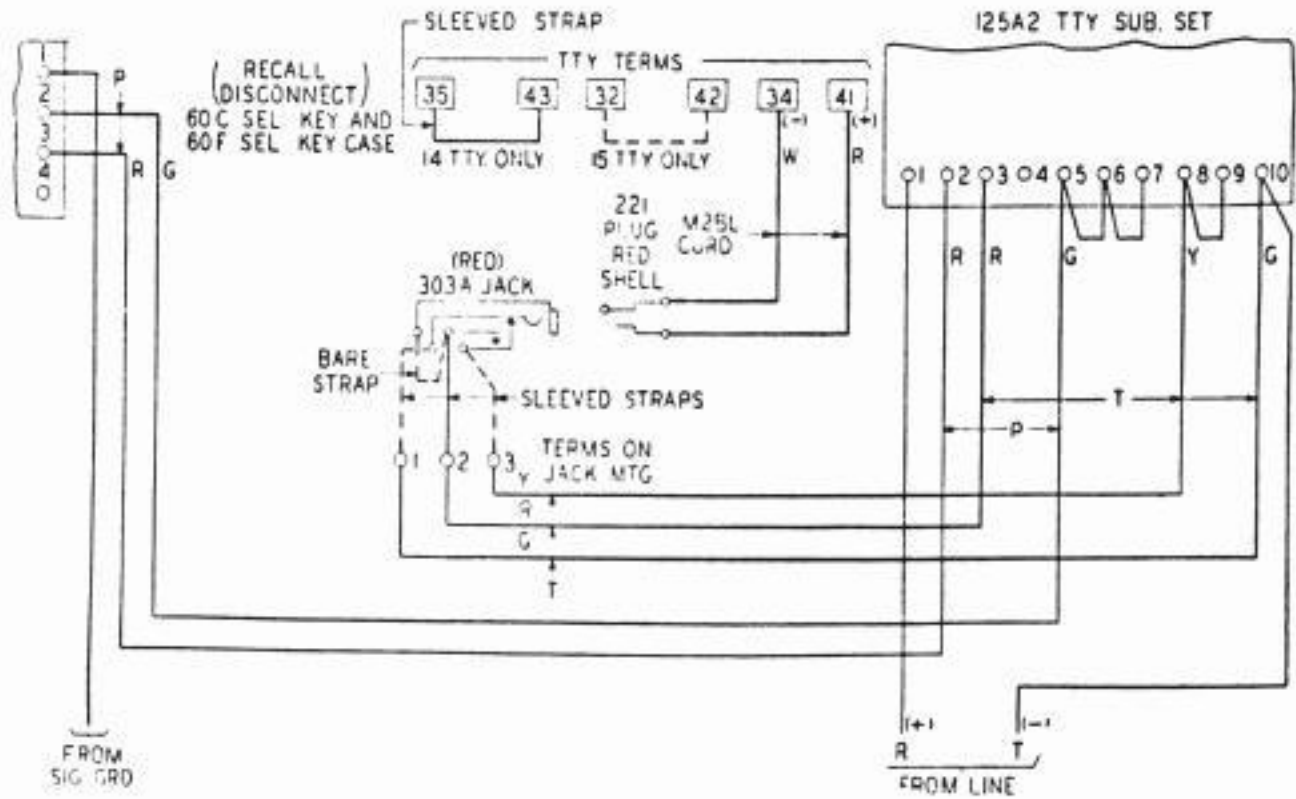
LS1.81 14B or 15A Table (See M1.10).
Swbd. No. 1—Local Line.



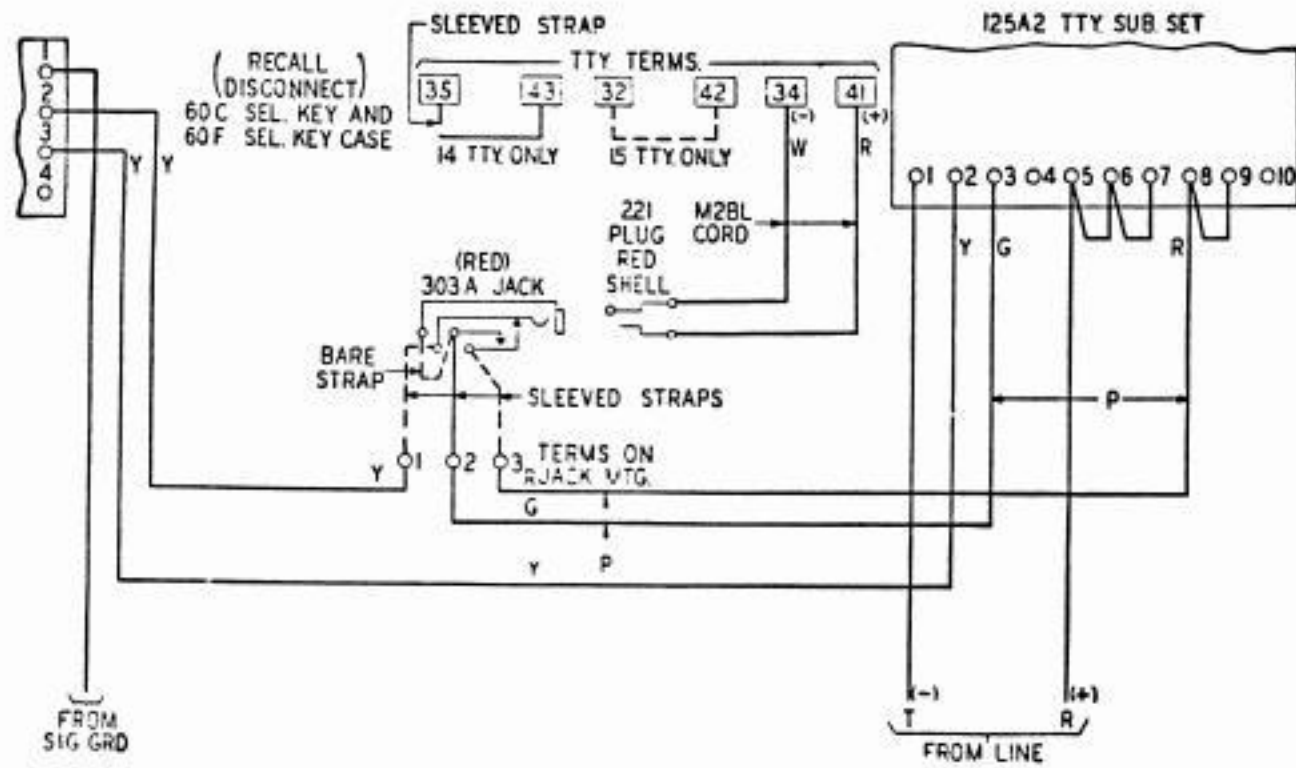
LS1.82 14B or 15A Table (See M2.05, M2.06).
Swbd. No. 3, 3A or 5—Local Line.



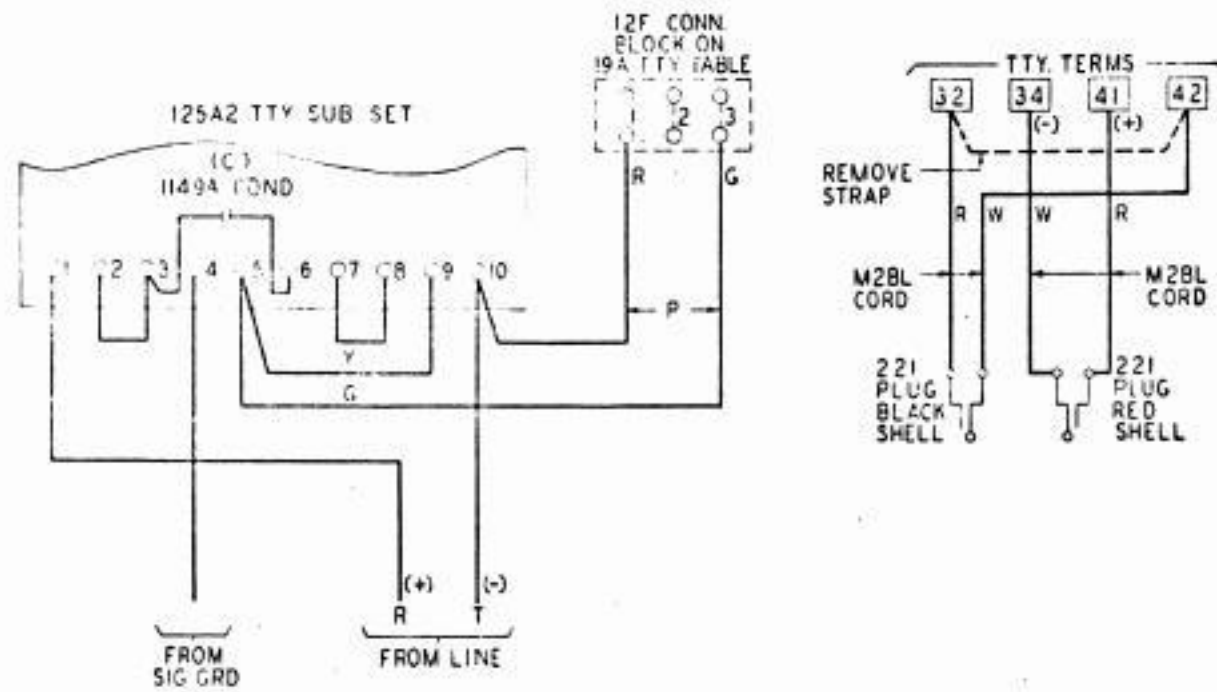
**LS1.83 14B or 15A Table (See M2.05, M2.06).
Open Line TLT Bd.—Local Line.**



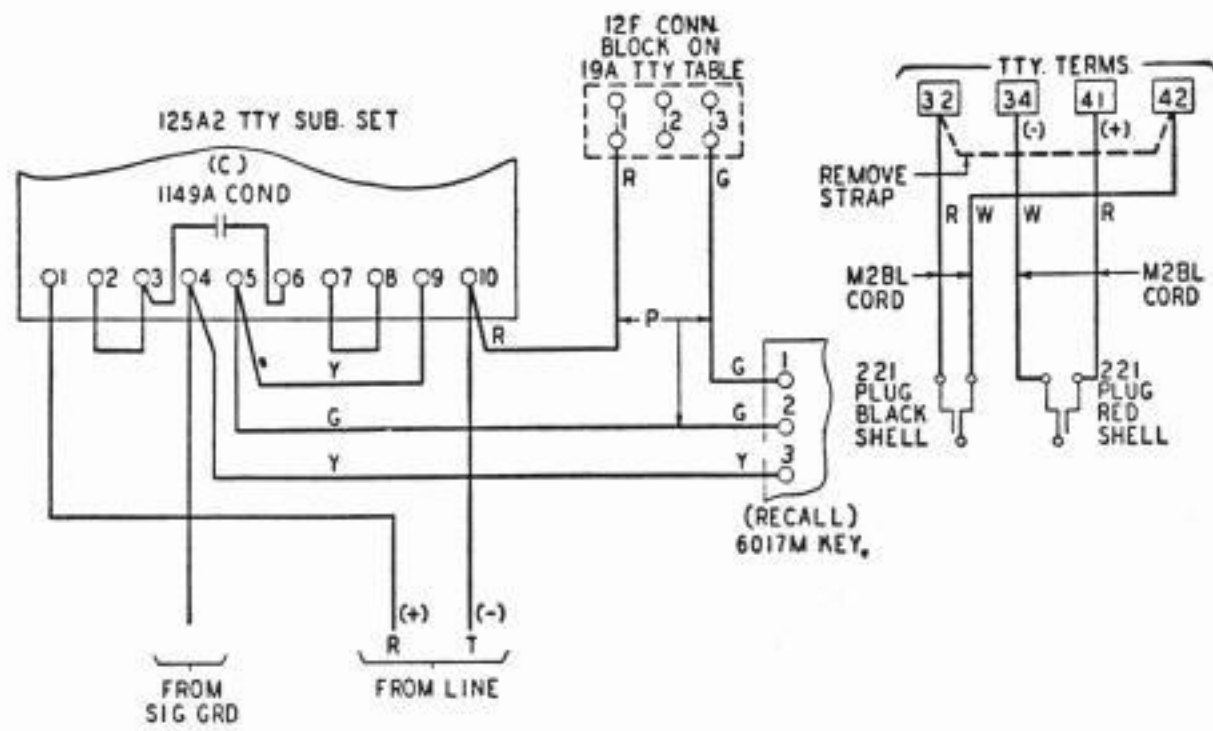
**LS1.84 14B or 15A Table (See M2.05, M2.06).
65B1 Swbd.—Local Line.**



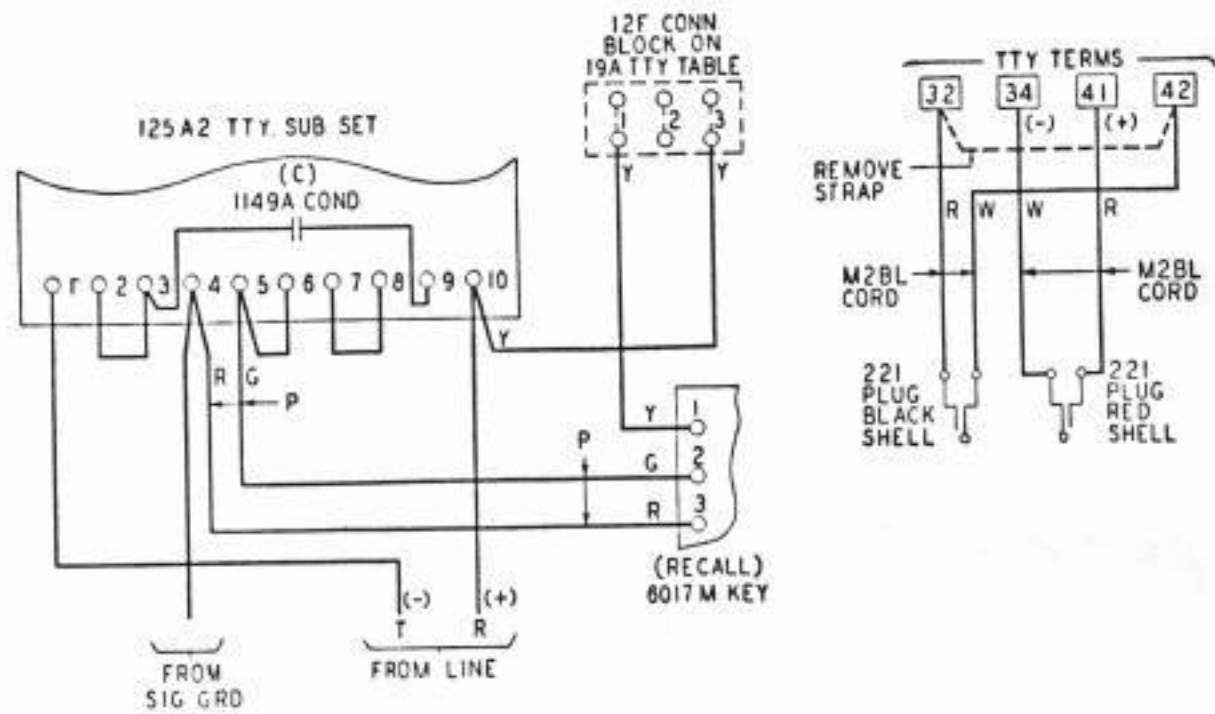
LS1.85 14B or 15A Table (See M2.05, M2.06).
(A) Closed Line TLT Bd.—Local Line or TLX.
(B) 65B1 Swbd.—TLX.



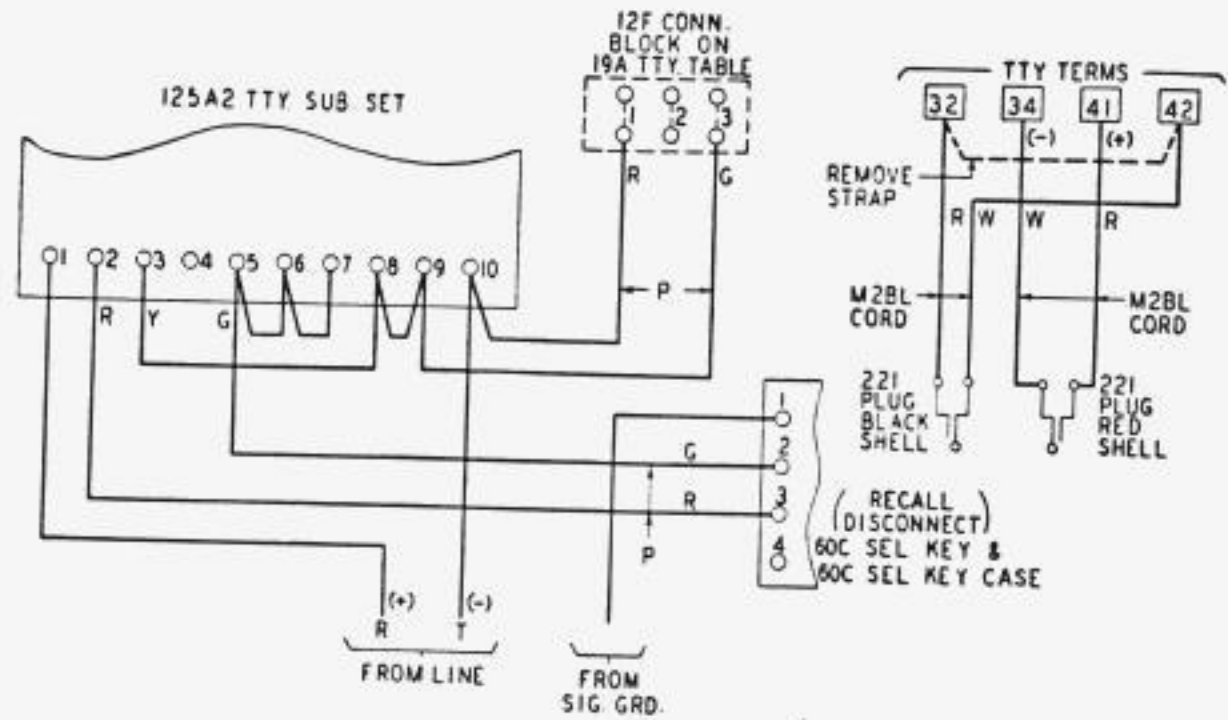
LS1.87 19A Table (See M2.05, M2.06).
Swbd. No. 1—Local Line.



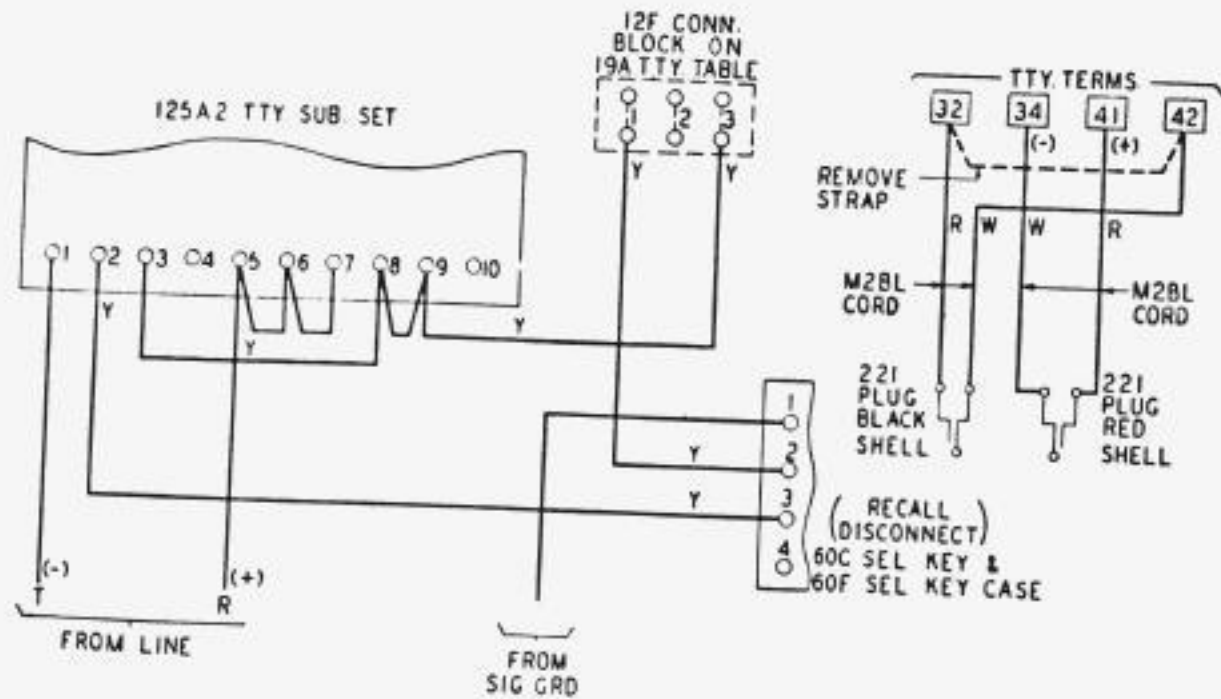
**LS1.88 19A Table (See M2.05, M2.06).
Swbd. No. 3, 3A or 5—Local Line.**



**LS1.89 19A Table (See M2.05, M2.06).
Open Line TLT Bd.—Local Line.**



LS1.90 19A Table (See M2.05, M2.06).
65B1 Swbd.—Local Line.



LS1.91 19A Table (See M2.05, M2.06).
(A) Closed Line TLT Bd.—Local Line or TLX.
(B) 65B1 Swbd.—TLX.