

American Telephone and Telegraph Company

BELL SYSTEM PRACTICES
Teletypewriter and Manual
Telegraph Station and PEX
Installation and Maintenance

ADDENDUM P30.501
Issue A, 3-27-44
Long Lines Department
Dist. Class. 602.02 AC

No. 14 OR No. 15 TELETYPEWRITER

WITHOUT SUBSCRIBER SETS

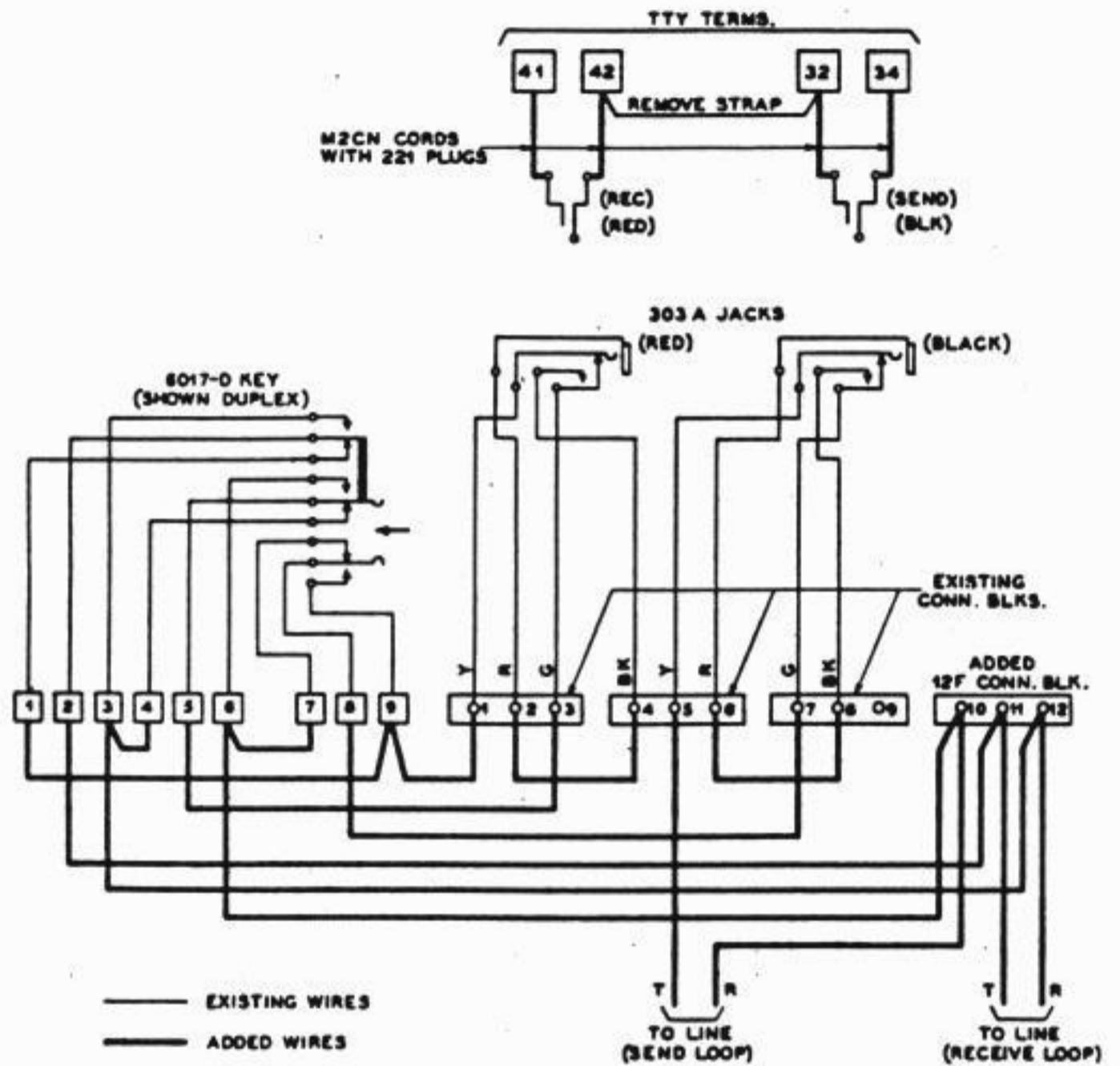
LINE CONNECTIONS

1. GENERAL

1.01 This addendum is issued to supplement Section P30.501 by adding Plan L9.09 which provides for a key arrangement to obtain single or duplex operation of a 15-type teletypewriter on a 15N table.

1.02 Plan L9.09 is reproduced from Drawing S-9446-143.

NOTE:- ADD P-38857 PLUNGER TO
L-T KEY OF TTY.



L9.09

15 TTY-15 N TABLE-DUPLEX-
SINGLE OPERATION-
KEY CONTROL.

BELL SYSTEM PRACTICES
Teletypewriter Stations

SECTION P30.501
Issue 3, October, 1952
AT&T Co Standard

LINE CONNECTIONS FOR 14 AND 15 TELETYPEWRITERS WITHOUT SUBSCRIBER SETS

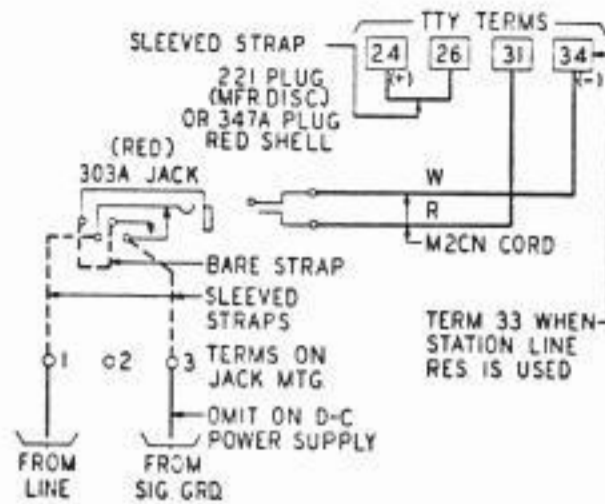
1. GENERAL

- 1.01 This section covers the line connections for 14 and 15 teletypewriters without subscriber sets.
- 1.02 This section is reissued to show that the 221 plugs in all plans were rated Mfr. Disc. and shown replaced by the 347A plug.

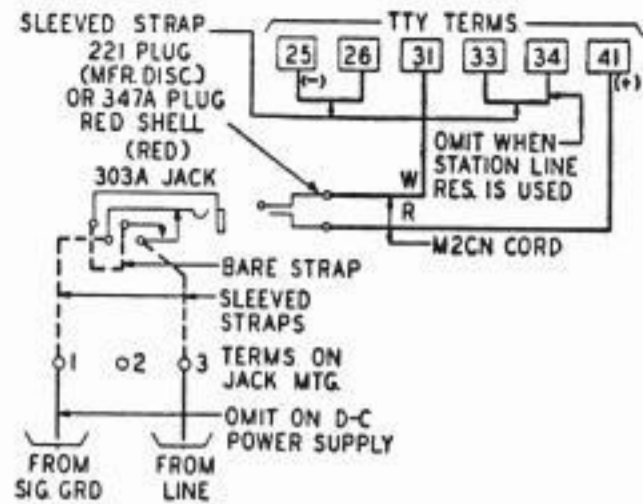
<u>Plan No.</u>	<u>Title</u>
L1.01	14 TTY—14B Table—Single Operation—Line to Pos. Power at TTY—Switch Control or Control over Signal Line
L1.02	14 TTY—14B Table—Single Operation—Line to Neg. Power at TTY—Switch Control or Control over Signal Line
L2.01	14 or 15 TTY—14B, 15A or 15B Table—Single Operation—Two-Wire Line—Switch Control or Control over Signal Line
L2.02	14 or 15 TTY—14B, 15A or 15B Table—Single Operation—Pos. Line to Grd. at TTY—Switch Control or Control over Signal Line
L2.03	14 or 15 TTY—14B, 15A or 15B Table—Single Operation—Neg. Line to Grd. at TTY—Switch Control or Control over Signal Line
L2.04	15 TTY—15A or 15B Table—Single Operation—Line to Pos. Power at TTY—Switch Control or Control over Signal Line
L2.05	15 TTY—15A or 15B Table—Single Operation—Line to Neg. Power at TTY—Switch Control or Control over Signal Line
L2.06	14 or 15 TTY—14B or 15B Table—One-Way Polar Operation — Switch Control or Control over Signal Line

<u>Plan No.</u>	<u>Title</u>
L2.07	14 or 15 TTY—14B or 15A Table—Duplex Operation
L2.08	15 TTY—15N or 15P Table—Single Operation—Two-Wire Line—Switch Control or Control over Signal Line
L2.09	15N or 15P Table—Single Operation—Pos. Line to Grd. at TTY—Switch Control or Control over Signal Line
L2.10	15 TTY—15N or 15P Table—Single Operation—Neg. Line to Grd. at TTY—Switch Control or Control over Signal Line
L2.11	15 TTY—15N or 15P Table—Single Operation—Line to Pos. Power at TTY—Switch Control or Control over Signal Line
L2.12	15 TTY—15N or 15P Table—Single Operation—Line to Neg. Power at TTY—Switch Control or Control over Signal Line
L2.13	15 TTY—15N Table—Duplex Operation
L2.14	15 TTY — 15N or 15P Table — One-Way Polar Operation — Switch Control or Control over Signal Line
L2.15	14 or 15 TTY — 14B or 15A Table — Type "A" Polarential Station
L2.16	15 TTY—15N Table—Type "A" Polarential Station
L2.17	14 or 15 TTY—14B or 15A Table—Single Operation with Call Key—Two-Wire Line—Switch Control or Control over Signal Line
L2.18	15 TTY—15N Table—Single Operation with Call Key—Two-Wire Line—Switch Control or Control over Signal Line
L2.19	14 or 15 TTY—14B or 15A Table—Duplex Operation with Call Key
L2.20	15 TTY—15N Table—Duplex Operation with Call Key

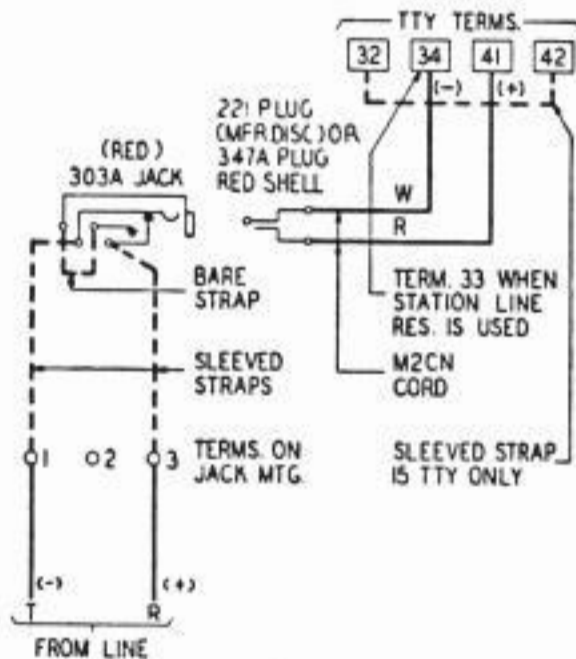
Note: When line current is supplied from power at the TTY, either from an M-G set or from the primary d-c power source, there should be a minimum resistance of one ohm per volt in the line circuit of the TTY. This resistance should be in addition to the wave shaping resistance or inductance coils, or the line relay or magnet coils, and should be inserted in the power side of such apparatus.



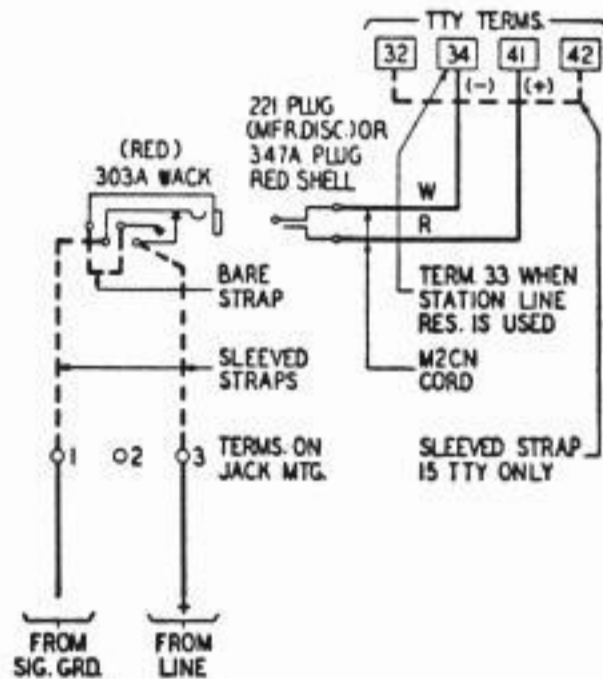
**L1.01—14 TTY—14B Table—
Single Operation —
Line to Positive Power
at TTY—Switch Control
or Control over
Signal Line**



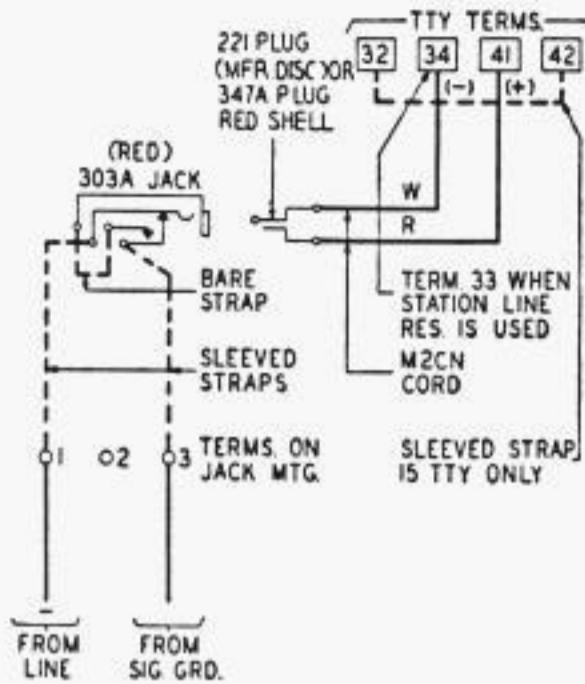
**L1.02—14 TTY—14B Table—
Single Operation —
Line to Negative
Power at TTY —
Switch Control or
Control over Signal
Line**



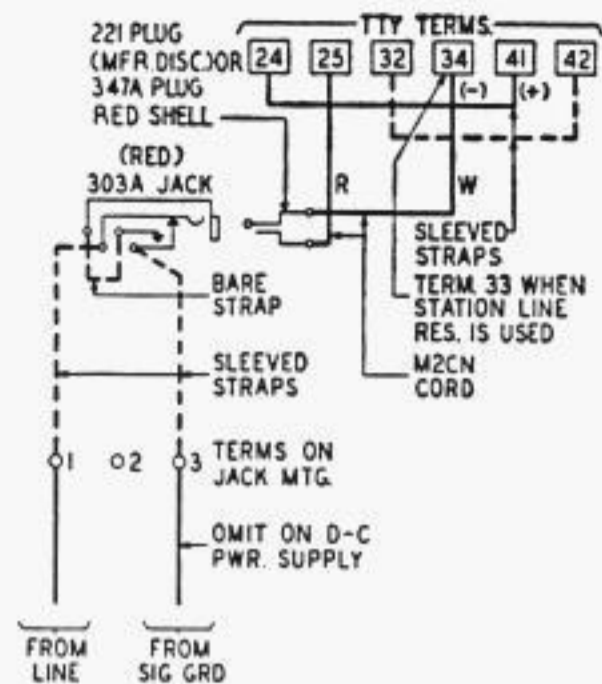
**L2.01—14 or 15 TTY — 14B,
15A or 15B Table —
Single Operation —
Two Wire Line —
Switch Control or
Control over Signal
Line**



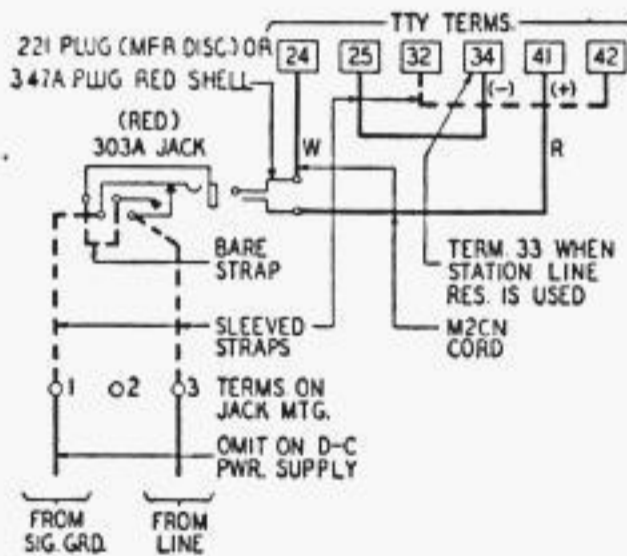
**L2.02—14 or 15 TTY — 14B,
15A or 15B Table —
Single Operation —
Pos. Line to Grd. at
TTY—Switch Control
or Control over Sig-
nal Line**



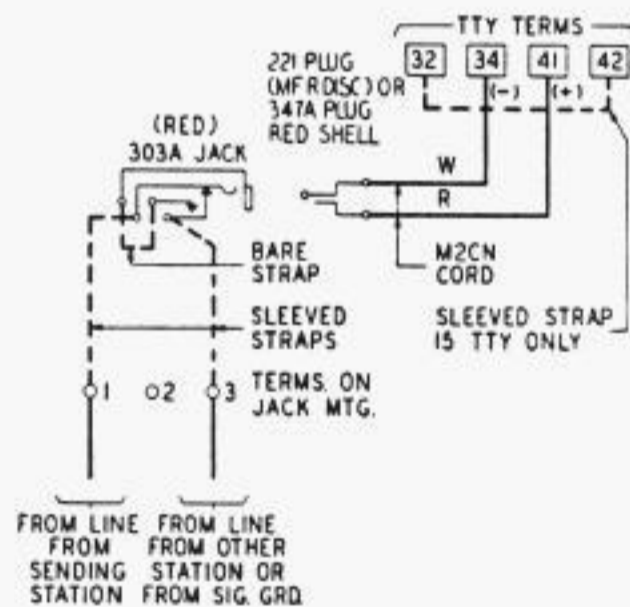
L2.03—14 or 15 TTY—14B, 15A or 15B Table — Single Operation — Neg. Line to Grd. at TTY—Switch Control or Control over Signal Line



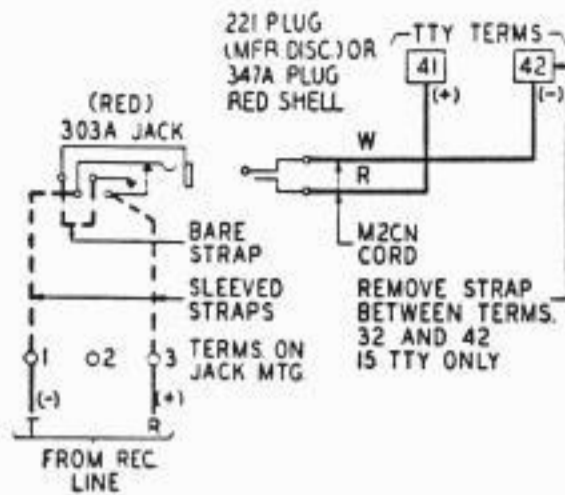
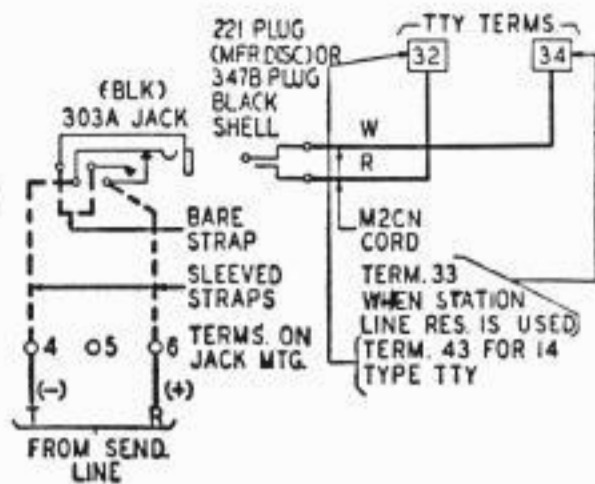
L2.04—15 TTY—15A or 15B Table — Single Operation — Line to Pos. Power at TTY — Switch Control or Control over Signal Line



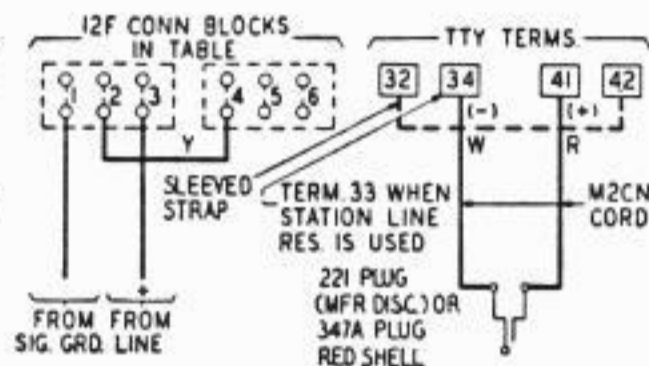
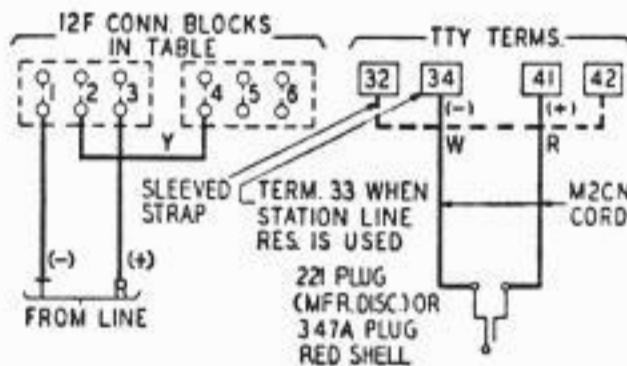
L2.05—15 TTY—15A or 15B Table — Single Operation — Line to Neg. Power at TTY — Switch Control or Control over Signal Line



L2.06—14 or 15 TTY—14B or 15B Table—One-Way Polar Operation — Switch Control or Control over Signal Line

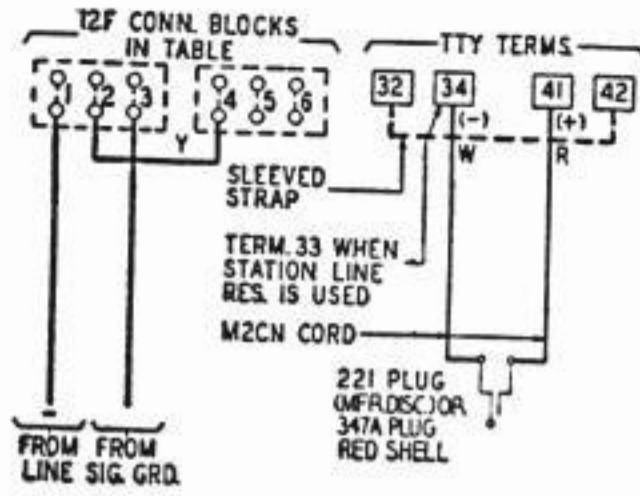


L2.07—14 or 15 TTY—14B or 15A Table—Duplex Operation

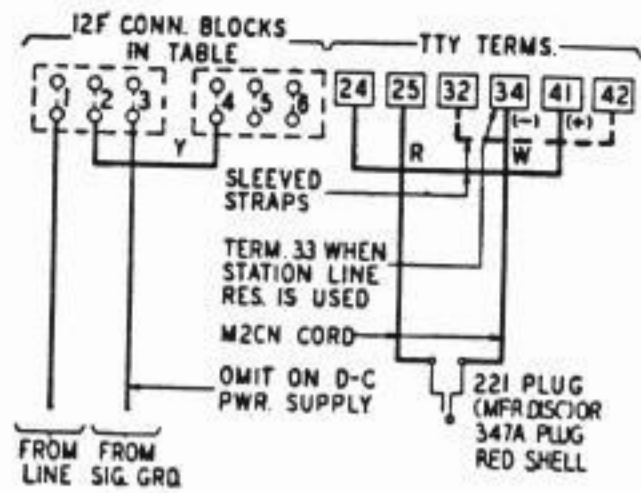


L2.08—15 TTY—15N or 15P Table—Single Operation—Two-Wire Line—Switch Control or Control over Signal Line

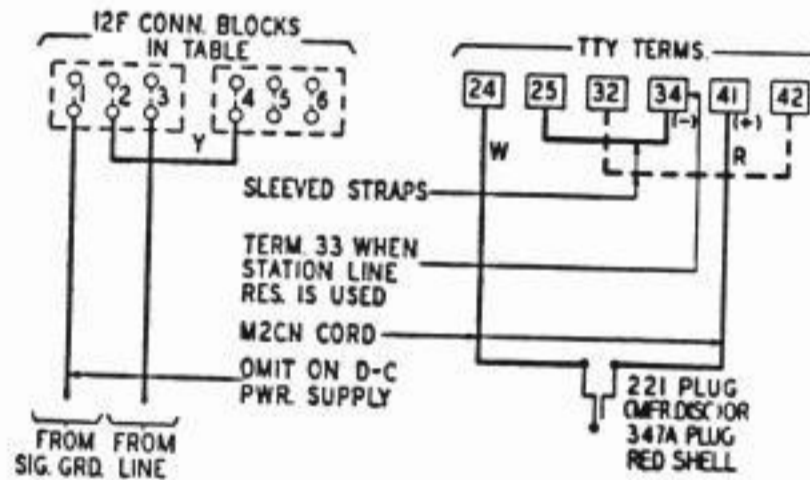
L2.09—15 TTY—15N or 15P Table—Single Operation—Pos. Line to Grd. at TTY—Switch Control or Control over Signal Line



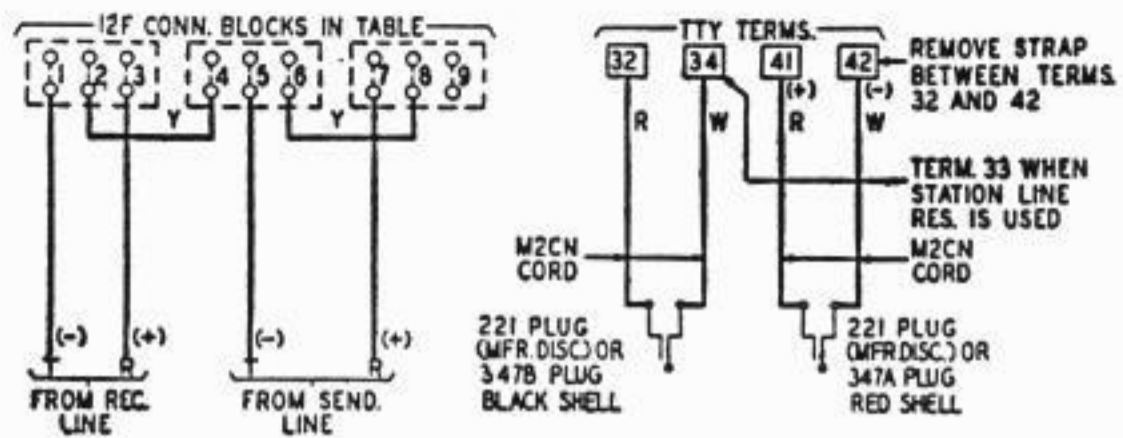
L2.10—15 TTY—15N or 15P Table—Single Operation—Neg. Line to Grd. at TTY—Switch Control or Control over Signal Line



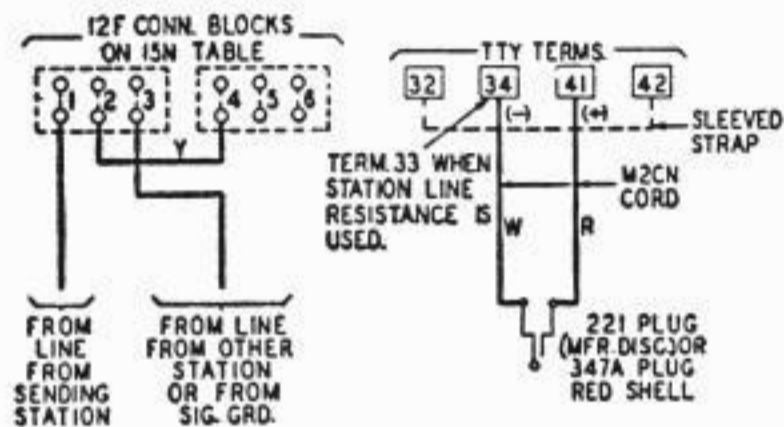
L2.11—15 TTY—15N or 15P Table—Single Operation—Line to Pos. Power at TTY—Switch Control or Control over Signal Line



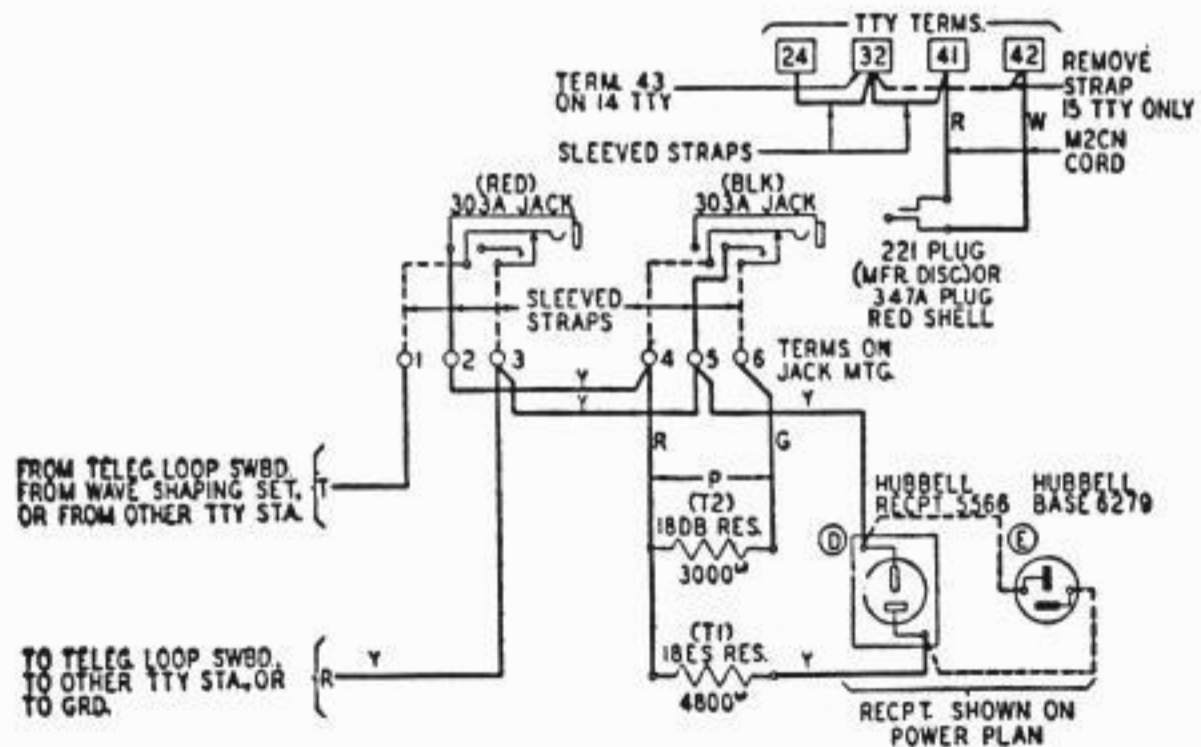
L2.12—15 TTY—15N or 15P Table—Single Operation—Line to Neg. Power at TTY—Switch Control or Control over Signal Line



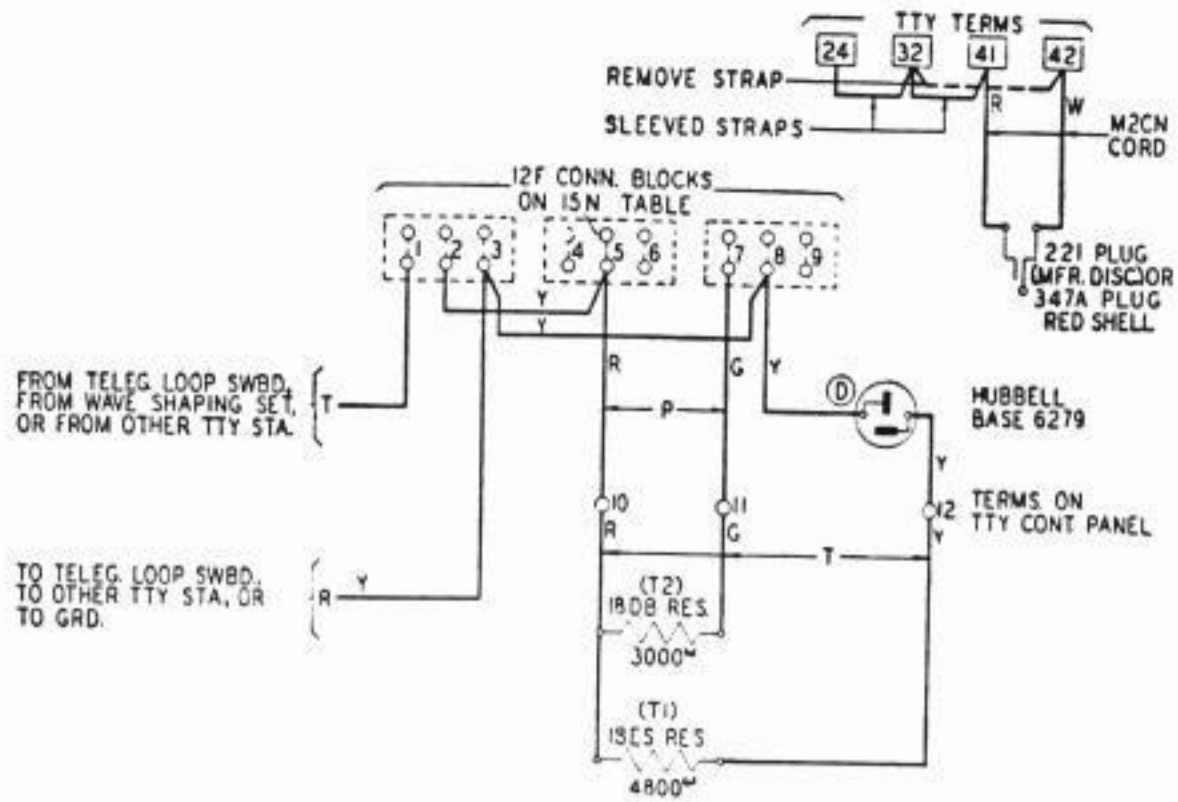
L2.13—15 TTY—15N Table—Duplex Operation



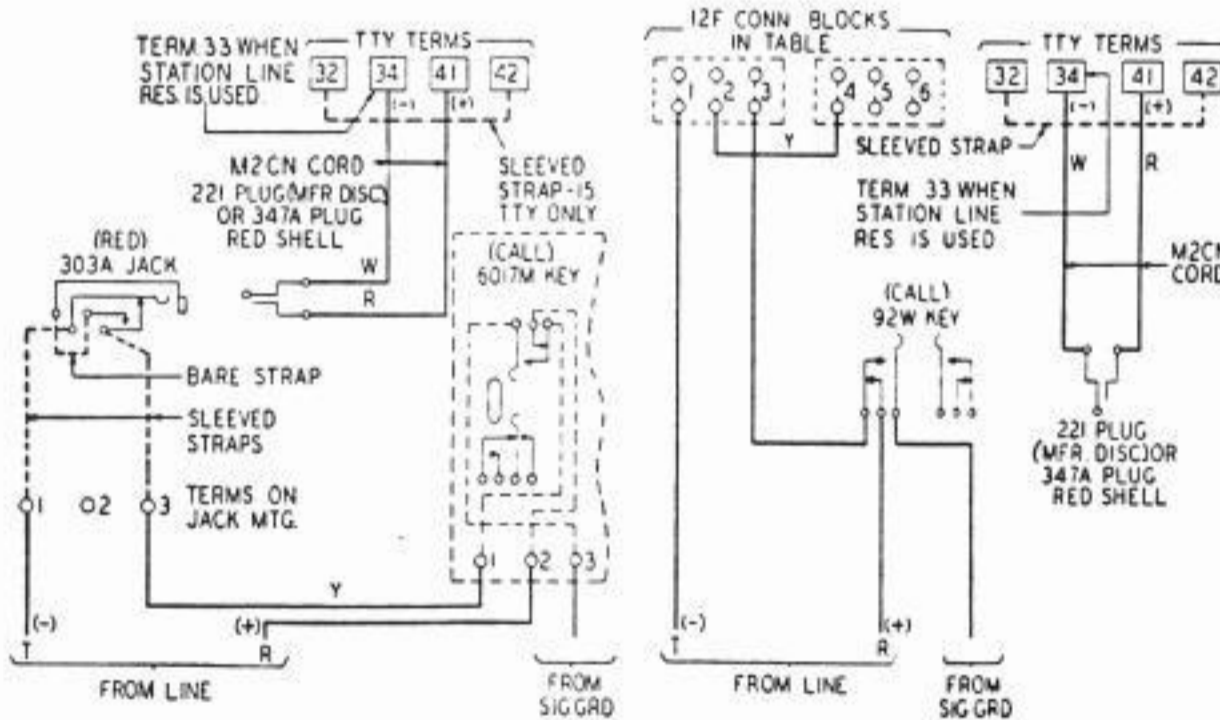
L2.14—15 TTY—15N or 15P Table—One-Way Polar Operation—Switch Control or Control over Signal Line



L2.15—14 or 15 TTY—14B or 15A Table—Type "A" Polarential Station

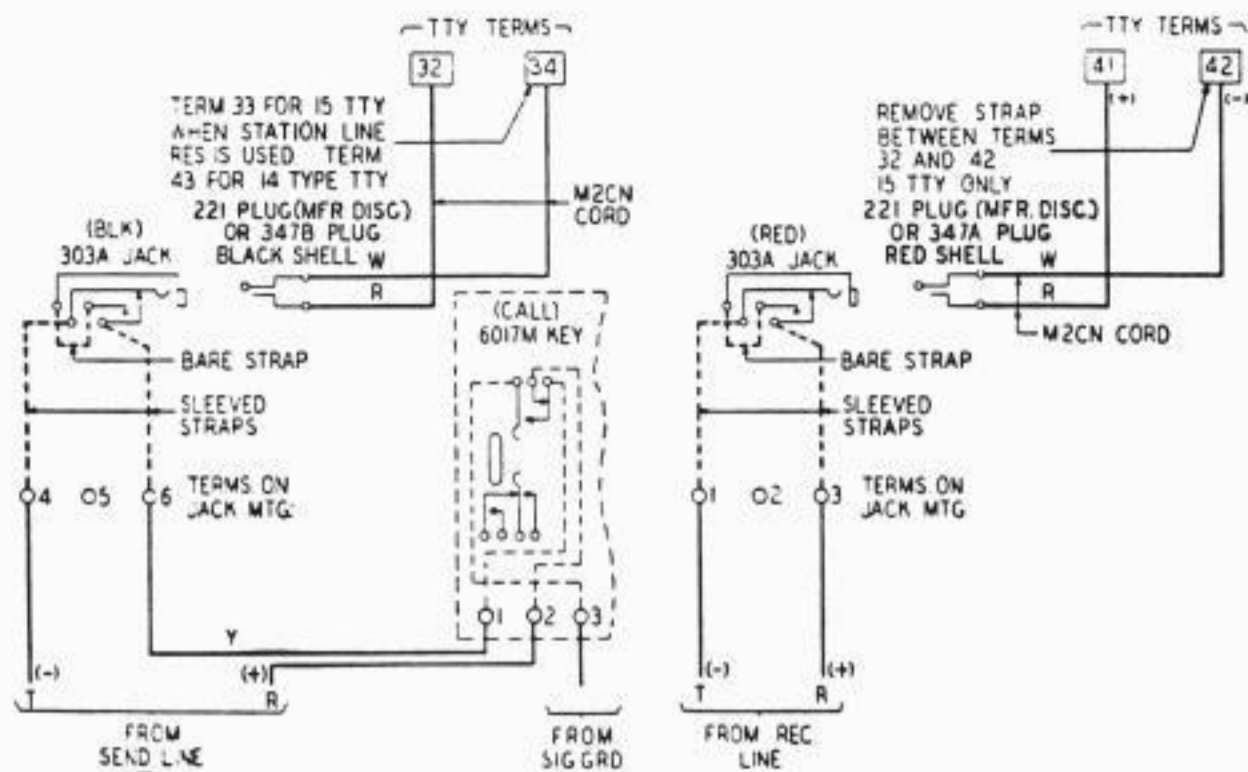


L2.16—15 TTY—15N Table—Type "A" Polarential Station

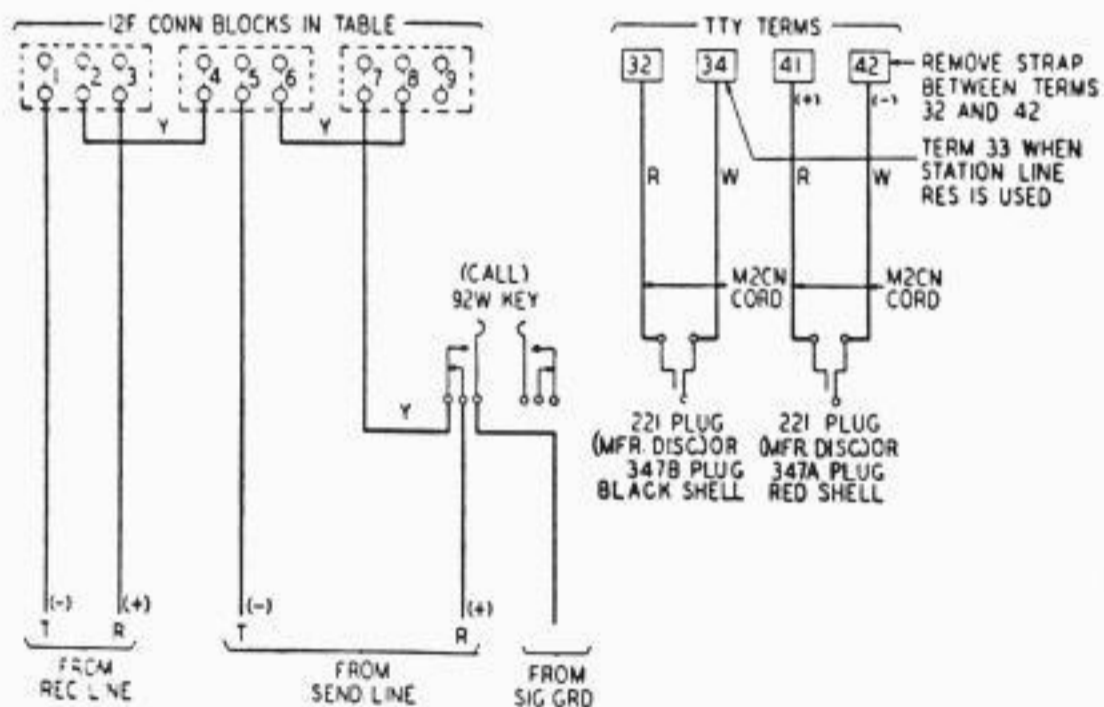


L2.17—14 or 15 TTY—14B or 15A Table — Single Operation with Call Key—Two-Wire Line — Switch Control or Control over Signal Line

L2.18—15 TTY—15N Table — Single Operation with Call Key — Two-Wire Line — Switch Control or Control over Signal Line



L2.19—14 or 15 TTY—14B or 15A Table—Duplex Operation with Call Key



L2.20—15 TTY—15N Table—Duplex Operation with Call Key