

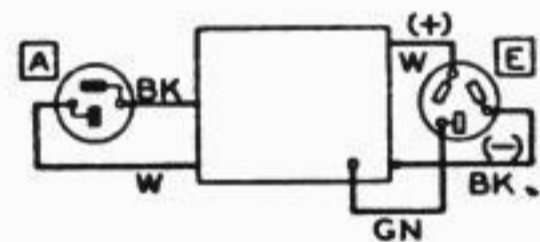
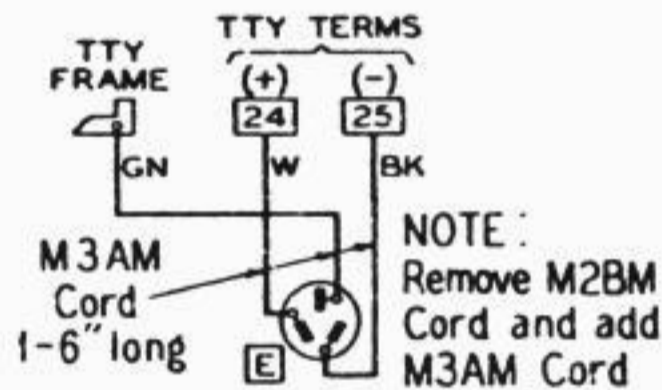
SUPPLEMENTARY POWER CONNECTIONS

1. GENERAL

(New Paragraphs)

1.01 Plan PSA 1.01 covers changes necessary on various PM plans when the KS-5579 rectifier is to be used.

1.02 Plan PSA 1.02 covers the connections of the KS-5579 rectifier.



PSA 1.01

Mod. of PM 2.06, 2.07
2.10, 2.11, 2.12, 2.13, 2.14
2.15, 2.16, 4.03, 4.05, 4.10
and 4.11 when KS 5579
Rectifier is used

PSA 1.02

KS 5579 Rectifier for
14 & 15 Type TTY

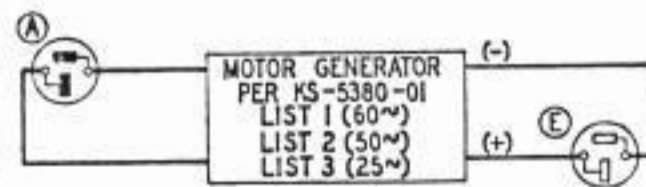
SUPPLEMENTARY POWER CONNECTIONS FOR TELETYPEWRITERS

1. GENERAL

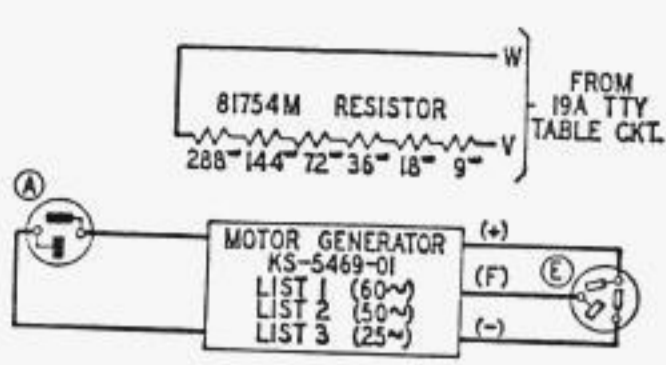
- 1.01 This section gives supplementary power Plans PS1.01 to PS1.11.
- 1.02 This section is reissued to include the use of KS-5663, L7 and KS-5928, L6 rectifiers.
- 1.03 Caps or connector bodies designated (A), (E) etc., are plugged into receptacles or bases with corresponding designations on associated plans.
- 1.04 The KS-5118 motor generator may be used in Plan PS1.02 by replacing the Hubbell Cap No. 7092 on output cord with a Hubbell Connector Body No. 7091.
- 1.05 Plan PS1.02 shall be used in all cases of 14 type teletypewriters equipped with electrical end-of-line indicator.
- 1.06 Rectifier per KS-5300, List 1 J86205J, List 1 KS-5663, Lists 2, 3, or 4 (Mfr Disc) may be substituted for the KS-5663, List 7 Rectifier when the telephone company has the former available for reuse.



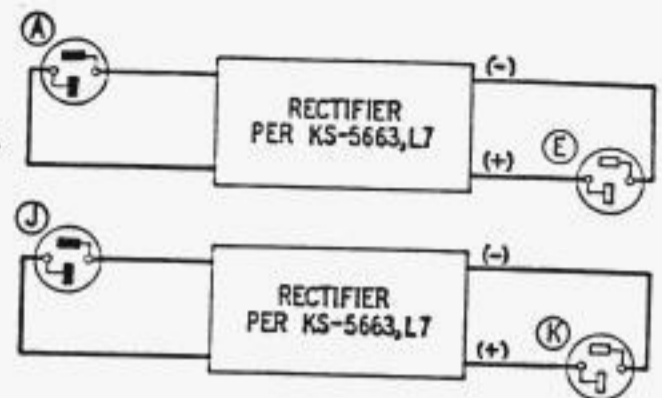
PS 1.01 RECTIFIER FOR 14 OR 15 TYPE TTY



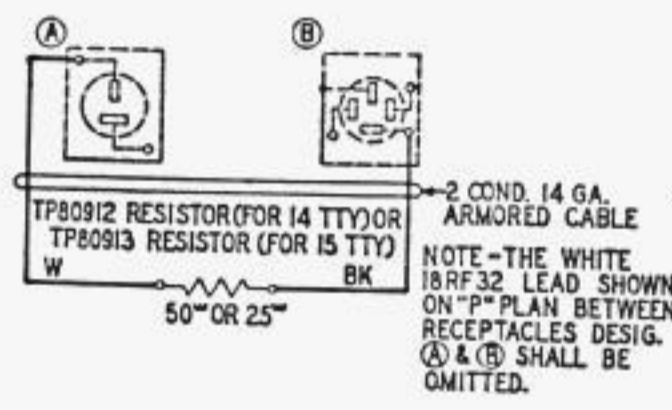
PS 1.02 MOTOR GENERATOR FOR 14 OR 15 TYPE TTY



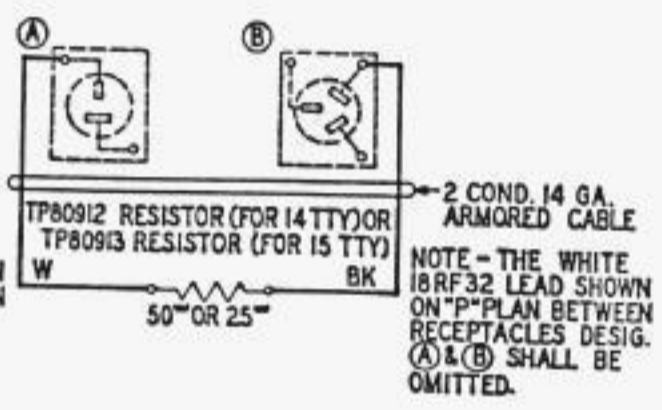
PS I.03 MOTOR GENERATOR FOR 19 TTY SET



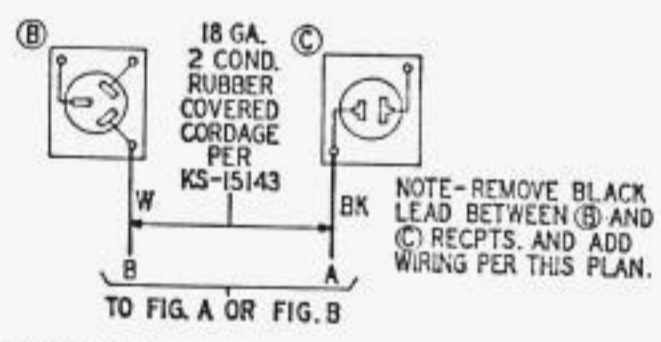
PS I.04 RECTIFIERS FOR 14 OR 15 TTY WITH 128A1 SET



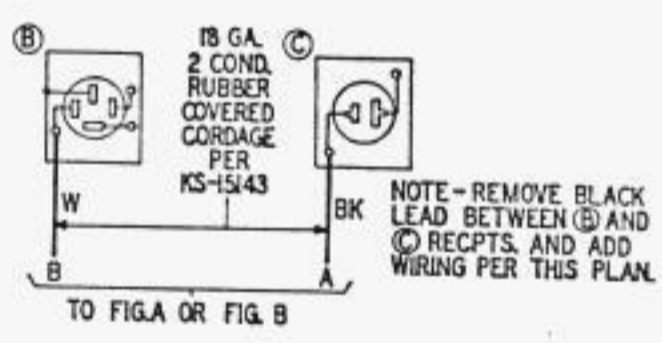
PS I.05 MOD. OF 14B OR 15A TABLE (WHERE (B) RECEPTACLE IS CHANGED TO HUBBELL 7250G) OR 15N TABLE POWER CONNECTION PLAN FOR 115V. 25~ POWER SUPPLY



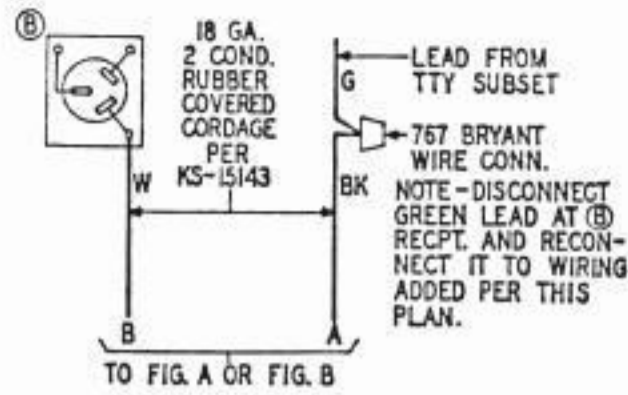
PS I.06 MOD. OF 14B, 15A OR 15B TABLE POWER CONNECTION PLAN FOR 115V. 25~ POWER SUPPLY



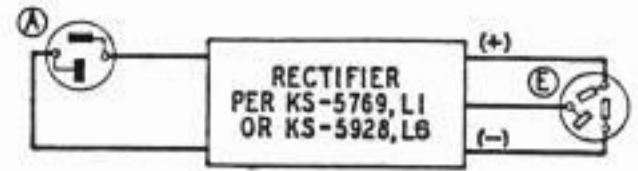
PS I.07 MOD. OF PI.01, PI.02, PI.10, PI.11, PI.13, PI.14, TPI.01, AND TPI.02 TO PROVIDE FUSE PROTECTION IN 14B TABLE



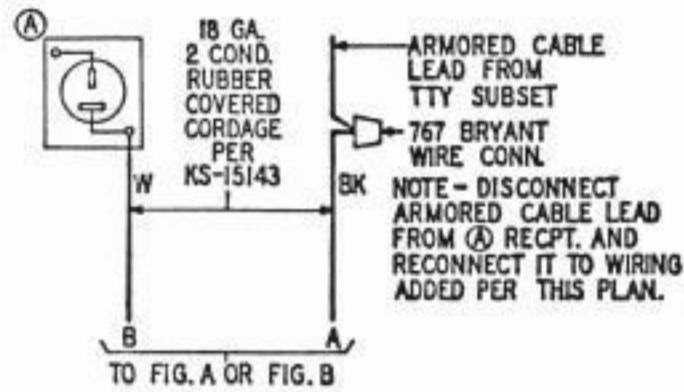
PS I.08 MOD. OF PI.06 AND PI.08 TO PROVIDE FUSE PROTECTION IN 14B TABLE



PSI.09 MOD. OF PI.07 TO PROVIDE FUSE PROTECTION IN 14B TABLE



PSI.10 RECTIFIER FOR 19 TTY SET



PSI.11 MOD. OF PI.03, PI.04, PI.05, AND PI.12 TO PROVIDE FUSE PROTECTION IN 14B TABLE

