

POWER CONNECTIONS TO 14 AND 15 TELETYPEWRITER TERMINALS

1. GENERAL

- 1.01 This section shows the power connections to the No. 14 and No. 15 Teletypewriter Terminals.
- 1.02 This section is reissued to bring cord codes, colors and plug codes up to date. In addition table showing M plans commonly used with corresponding PM plans was added and plans PM2.17 through PM2.23 were added.
- 1.03 The following plans are shown:

<u>Plan Number</u>	<u>Title</u>
PM2.01	14 or 15 Type TTY—Neg. Grounded or Non-Grounded 115 V. D-C—Switch Mot. Cont.
PM2.02	14 or 15 Type TTY—Neg. Grounded or Non-Grounded 115 V. D-C—Remote Mot. Cont.
PM2.03	14 or 15 Type TTY—Pos. Grounded 115 V. D-C—Switch Mot. Cont.
PM2.04	14 or 15 Type TTY—Pos. Grounded 115 V. D-C—Remote Mot. Cont.
PM2.05	14 or 15 Type TTY—115 V. A-C or D-C without line relay and local test.
PM2.06	14 or 15 Type TTY—115 V. A-C—TTY Mot. Controlled by Mot. Cont. Contacts or Power Switch External to TTY.
PM2.07	14 or 15 Type TTY—115 V. A-C—Mot. Gen. or Rect. Controlled by Mot. Cont. Contacts (14 TTY only) or Power Switch in TTY.
PM2.08	14 or 15 Type TTY—120A1 Set
PM2.09	14 or 15 Type TTY—128A1 Set or 128B1 Set

<u>Plan Number</u>	<u>Title</u>
PM2.10	14 or 15 Type TTY—115 V. A-C—Mot. Gen. Controlled by TTY Power Switch—Pos. or Neg. Power Supplied to Line—Prot. Grd. on TTY (See PM2.07, when Prot. Grd. Is Omitted)
PM2.11	15 Type TTY—130A1 Set
PM2.12	14 Type TTY—130A1 Set
PM2.13	15 Type TTY—Type A Polarential Station—Without Prot. Grd. on TTY—155 V. A-C
PM2.14	15 Type TTY—Type A Polarential Station—With Prot. Grd. on TTY—115 V. A-C
PM2.15	14 Type TTY—Type A Polarential Station—Without Prot. Grd. on TTY—115 V. A-C
PM2.16	14 Type TTY—Type A Polarential Station—With Prot. Grd. on TTY—115 V. A-C
PM2.17	15 Type TTY—15 P Table—115 V. A-C—Switch Motor Control
PM2.18	15 Type TTY—15 P Table—115 V. A-C—Remote Motor Control
PM2.19	15 Type TTY—15 P Table—Neg. Grounded or Non-grounded 115 V. D-C—Switch Motor Control
PM2.20	15 Type TTY—15 P Table—Neg. Grounded or Non-grounded 115 V. D-C—Remote Motor Control
PM2.21	15 Type TTY—15 P Table—Pos. Grounded 115 V. D-C—Switch Motor Control
PM2.22	15 Type TTY—15 P Table—Pos. Grounded 115 V. D-C—Remote Motor Control
PM2.23	15 Type TTY—15 P Table—115 V. A-C or D-C Without Line Relay and Local Test
PM4.01	15N Table—Neg. Grounded or Non-Grounded—115 V. D-C—Switch Motor Control
PM4.02	15N Table—Pos. Grounded 115 V. D-C—Switch Motor Control
PM4.03	15N Table—115 V. A-C—Switch or Remote Motor Control
PM4.04	15N Table—15D Control Panel—Line Current from Central Office—115 V. A-C—Switch Motor Control
PM4.05	15N Table—130A1 Set
PM4.06	15N Table—Neg. Grounded or Non-Grounded 115 V. D-C—Remote Motor Control

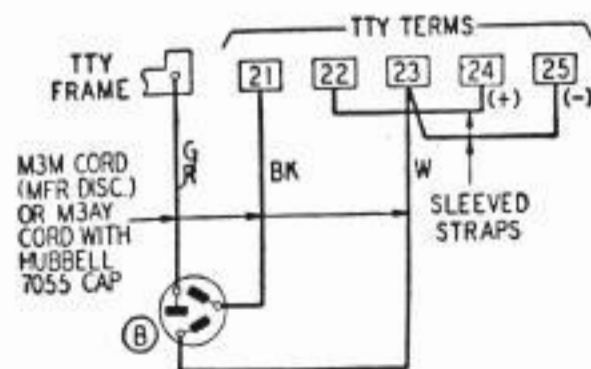
**Plan
Number**

Title

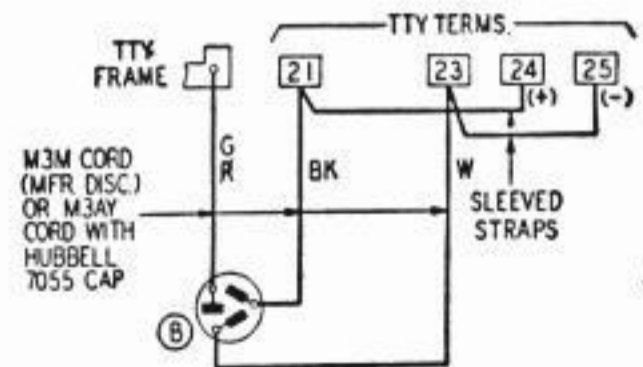
PM4.07	15N Table—Pos. Grounded 115 V. D-C—Remote Motor Control
PM4.08	15N Table—115 V. A-C or D-C—Without Line Relay and Local Test—128A1 Set or 128C1 Set (115 V. A-C only)
PM4.09	15N Table—120A1 Set (See M2.04)
PM4.10	15N Table—Type A Polarential Station
PM4.11	15N Table—120C1, 120C2 or 120D1 Set—115 V. A-C
PM4.12	15N Table—120C1, 120C2 or 120D1 Set— Neg. Grounded or Non-Grounded 115 V. D-C
PM4.13	15N Table—120C1, 120C2 or 120D1 Set—Pos. Grounded 115 V. D-C
PM4.14	15N Table—120C1, 120C2 or 120D1 Set (without line relay in TTY) or 128C1 (unattended service)

Note: For D-C areas see M Plans as follows:

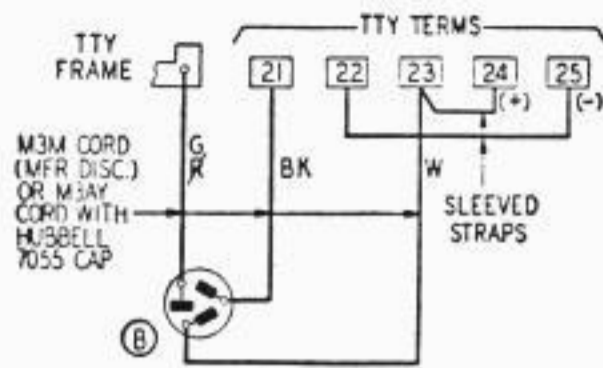
- (a) 240 opm—100 V. to 130 V., D-C
 - M1.03, 14E, F, N, S, W, Typing Units
 - M2.03, 15B Motor Unit
 - M2.26, 15K Motor Unit
- (b) 368 opm—100 V. to 111 V., or 125 V. to 130 V., D-C
 - M1.04, 14E, F, N, S, W, Typing Units
 - M2.04, 15B Motor Unit
 - M2.27, 15K Motor Unit



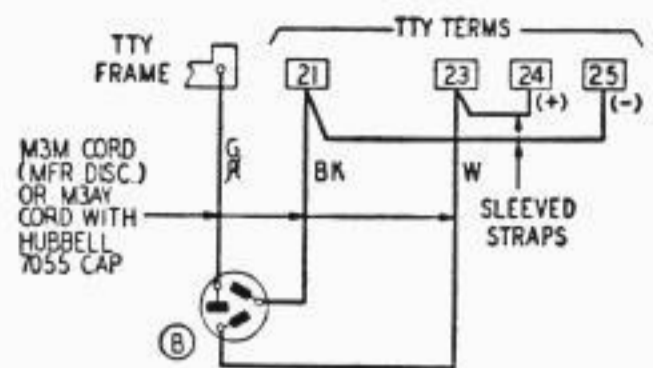
PM2.01—14 or 15 Type TTY—
Neg. Grounded or
Non-Grounded 115
V. D-C — Switch
Mot. Cont.



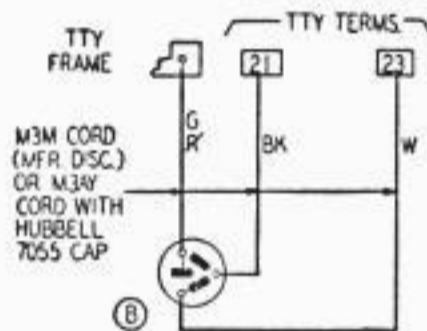
PM2.02—14 or 15 Type TTY—
Neg. Grounded or
Non-Grounded 115
V. D-C — Remote
Mot. Cont.



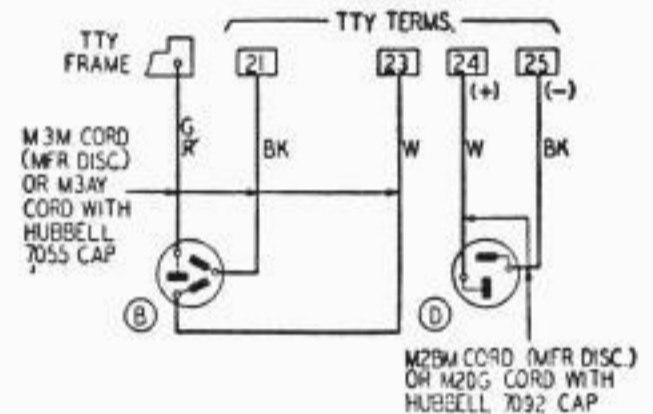
PM2.03—14 or 15 Type TTY—
Pos. Grounded 115
V. D-C — Switch
Mot. Cont.



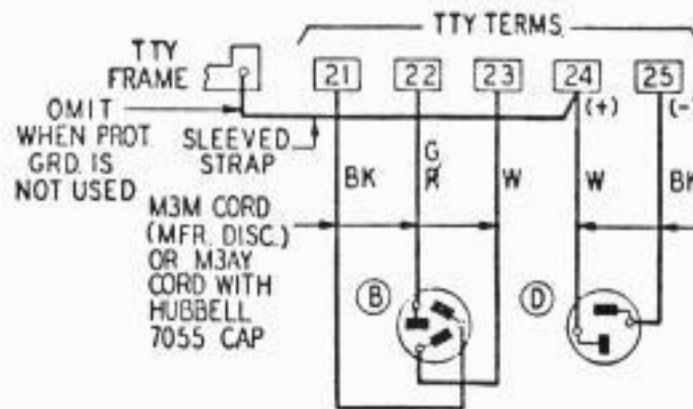
PM2.04—14 or 15 Type TTY—
Pos. Grounded 115
V. D-C — Remote
Mot. Cont.



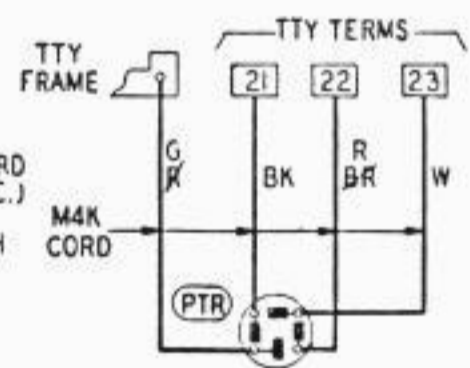
PM2.05—14 or 15 Type TTY—
115 V. A-C or D-C
without Line Relay
and Local Test.



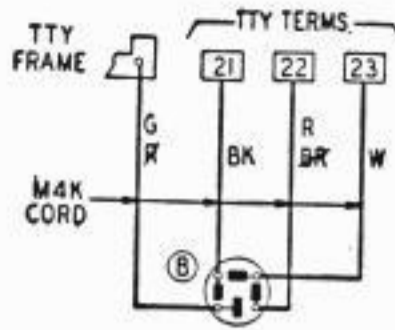
PM2.06—14 or 15 Type TTY—
115 V. A-C—TTY
Mot. Controlled by
Mot. Cont. Contacts
or Power Switch
External to TTY.



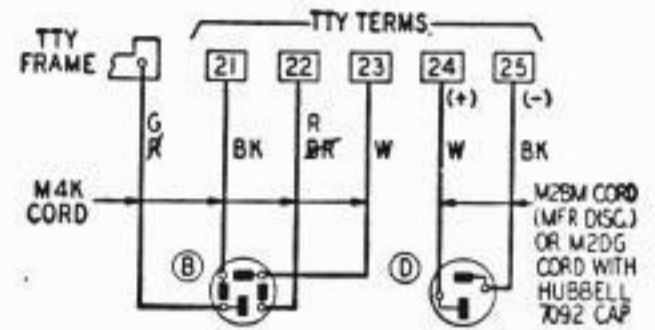
PM2.07—14 or 15 Type TTY—
115 V. A-C — Mot.
Gen. or Rect. Con-
trolled by Motor
Control Contacts (14
TTY only) or Power
Switch in TTY.



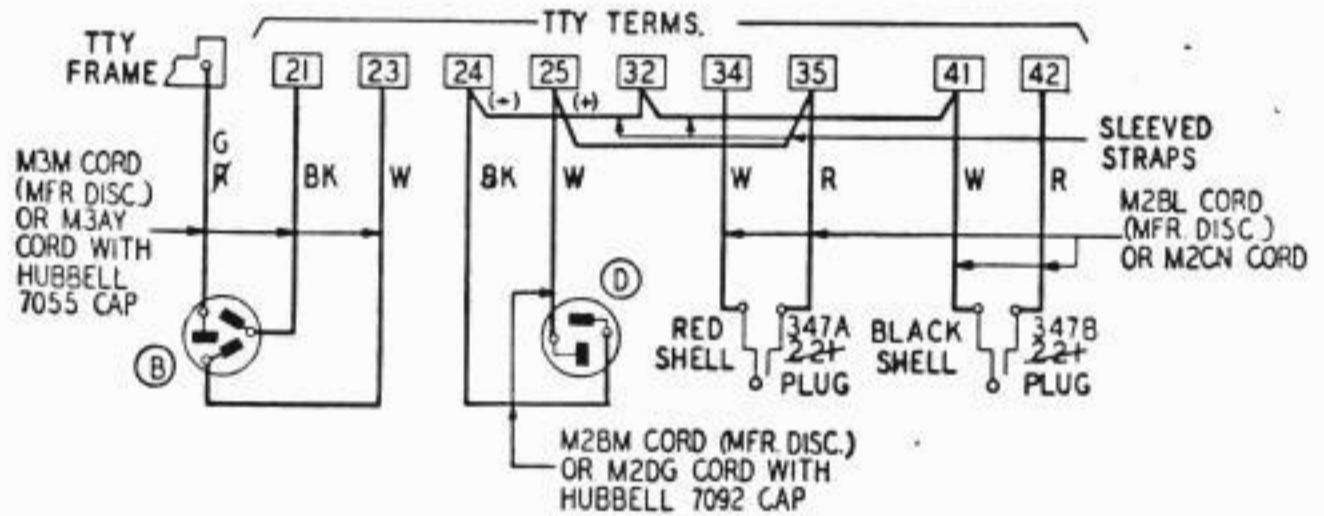
PM2.08—14 or 15 Type TTY—
120A1 Set.



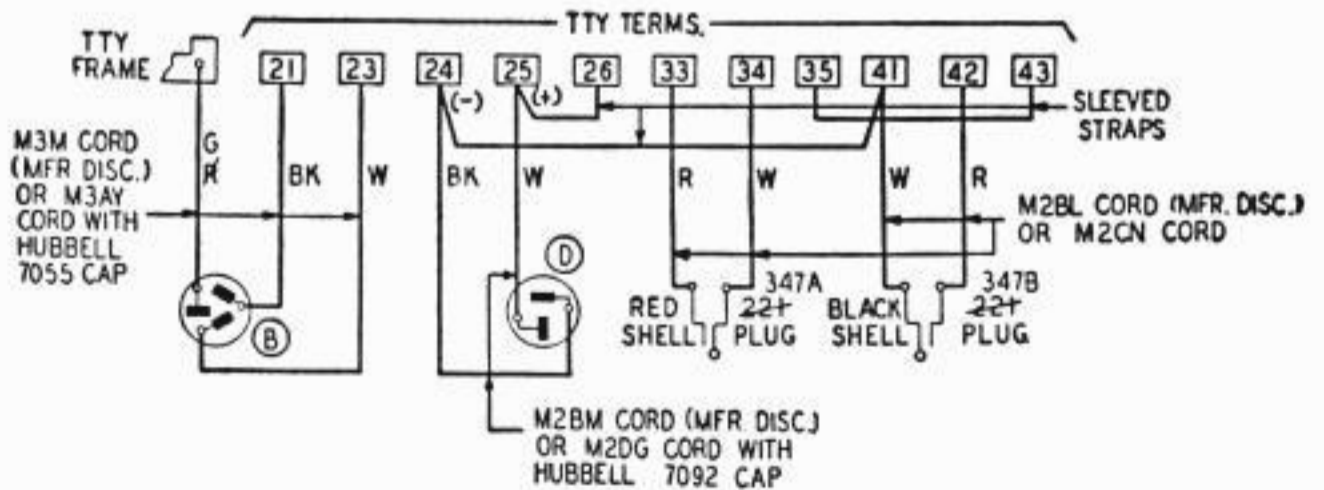
PM2.09—14 or 15 Type TTY—128A1 Set.



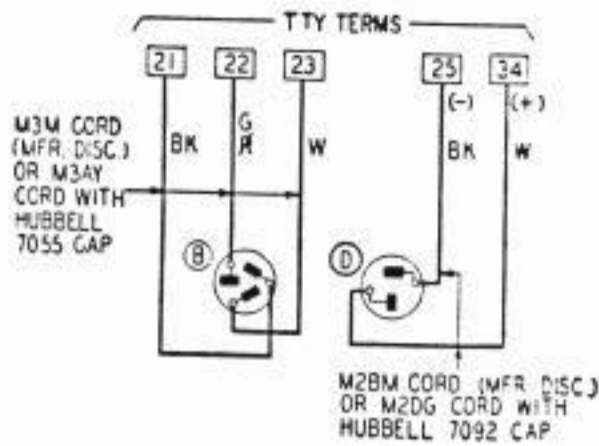
PM2.10—14 or 15 Type TTY—115 V. A-C—Mot. Gen. Controlled by TTY Power Switch—Pos. or Neg. Power Supplied to Line—Prot. Grd. on TTY (See PM2.07 when Prot. Grd. is omitted).



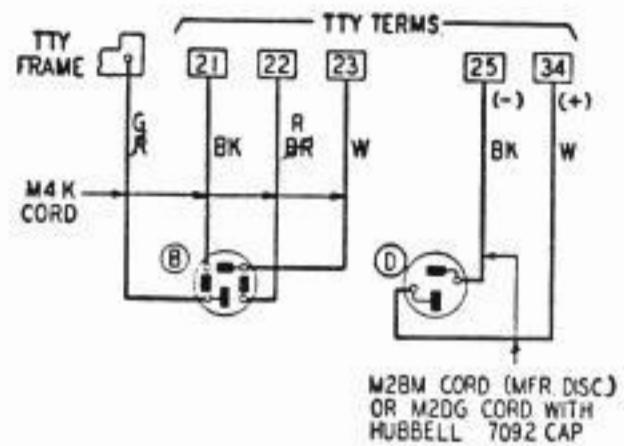
PM2.11—15 Type TTY—130A1 Set.



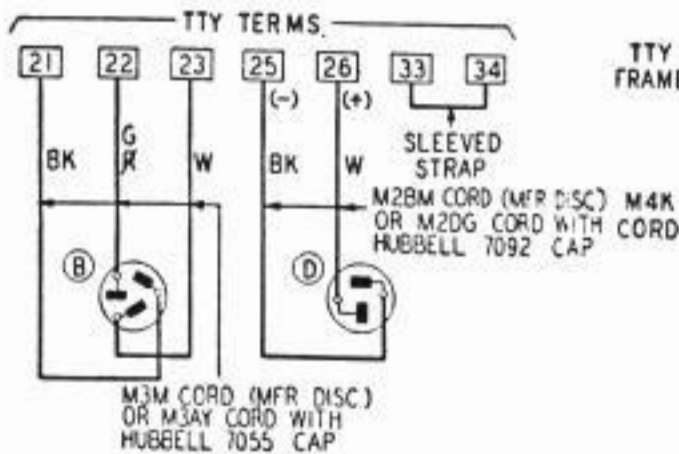
PM2.12—14 Type TTY—130A1 Set.



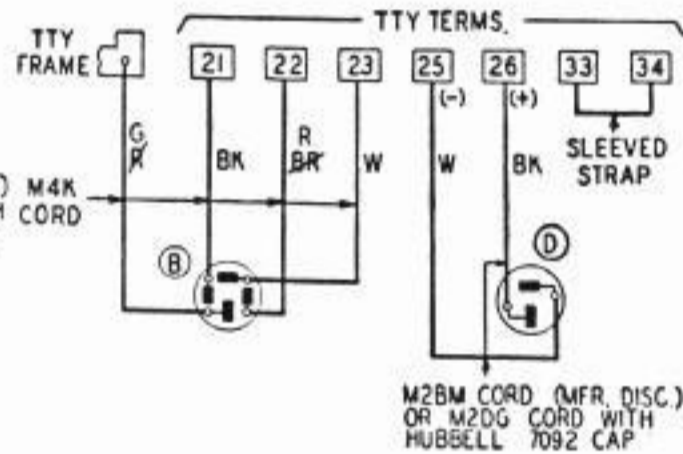
PM2.13—15 Type TTY—Polar Station — without Prot. Grd. on TTY—115 V. A-C.



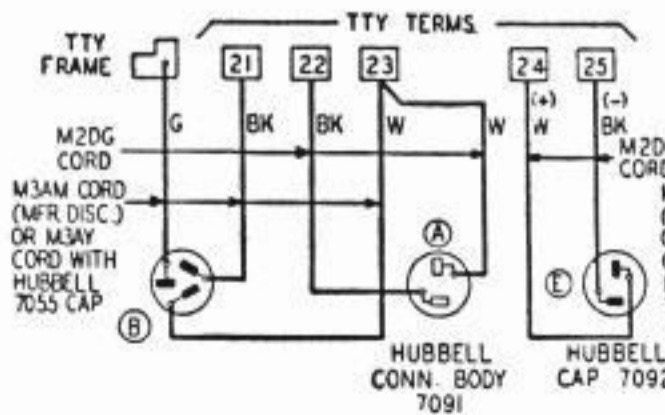
PM2.14—15 Type TTY—Polar Station — with Prot. Grd. on TTY—115 V. A-C.



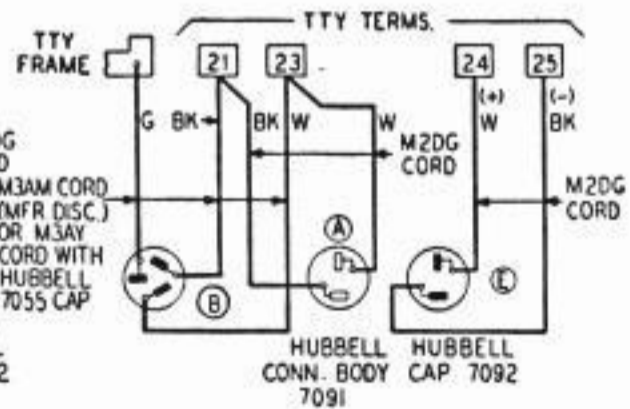
PM2.15—14 Type TTY—Polar Station — without Prot. Grd. on TTY—115 V. A-C.



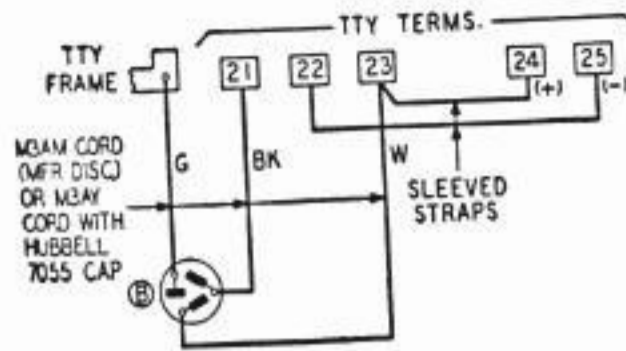
PM2.16—14 Type TTY—Polar Station — with Prot. Grd. on TTY—115 V. A-C.



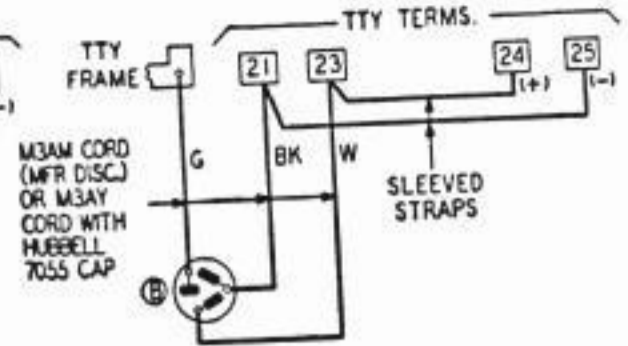
PM2.17—15 Type TTY—15P Table—115 V. A-C — Switch Motor Control.



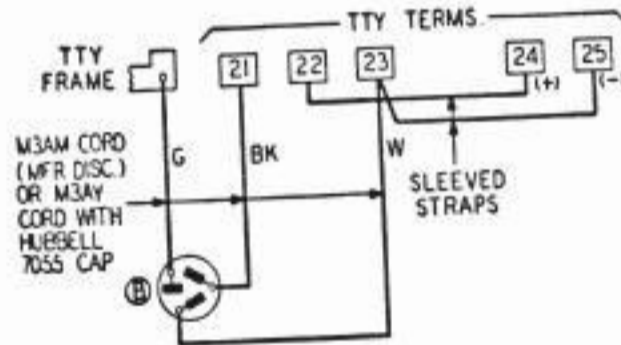
PM2.18—15 Type TTY—15P Table—115 V. A-C — Remote Motor Control.



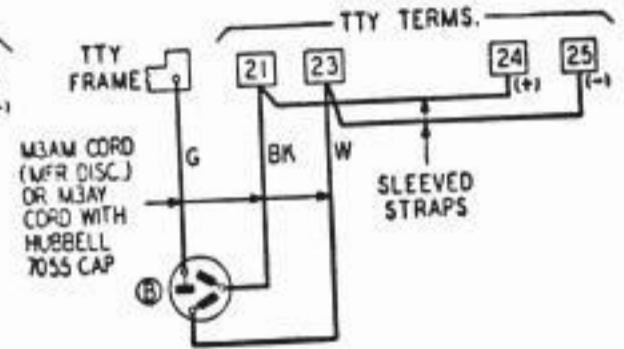
PM2.19 — 15 Type TTY —
15P Table — Neg.
Grounded or Non-
Grounded 115 V. D-C
— Switch Motor
Control.



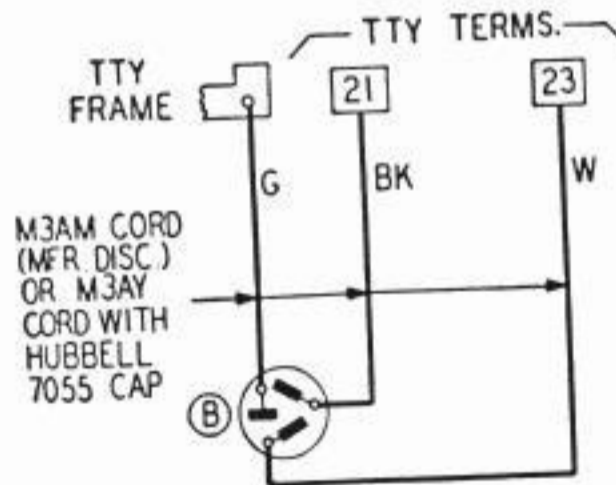
PM2.20 — 15 Type TTY —
15P Table — Neg.
Grounded or Non-
Grounded 115V. D-C
— Remote Motor
Control.



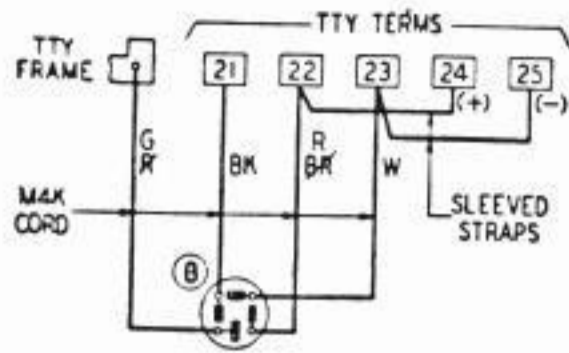
PM2.21 — 15 Type TTY —
15P Table — Pos.
Grounded 115V. D.C.
— Switch Motor
Control.



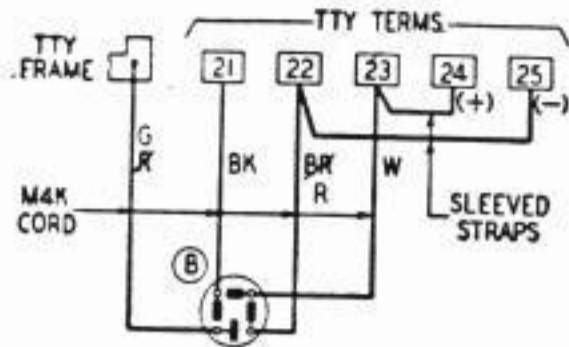
PM2.22 — 15 Type TTY —
15P Table — Pos.
Grounded 115V. D-C
— Remote Motor
Control.



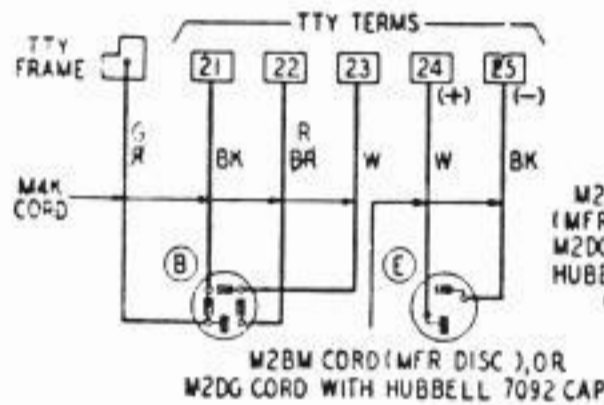
PM2.23 — 15 Type TTY — 15P
Table — 115V. A-C
or D-C Without
Line Relay and
Local Test.



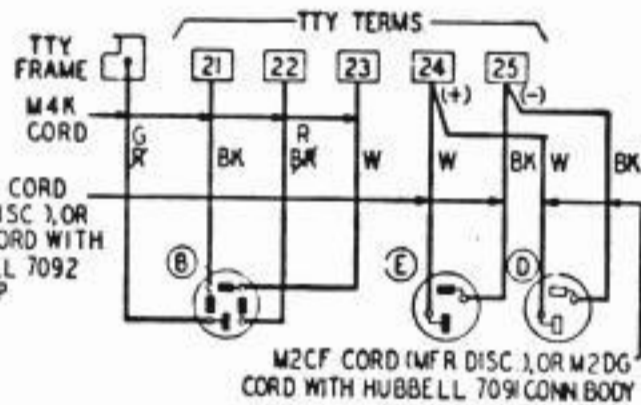
PM4.01—15N Table — Neg. Grounded or Non-Grounded 115V.D-C — Switch Motor Control.



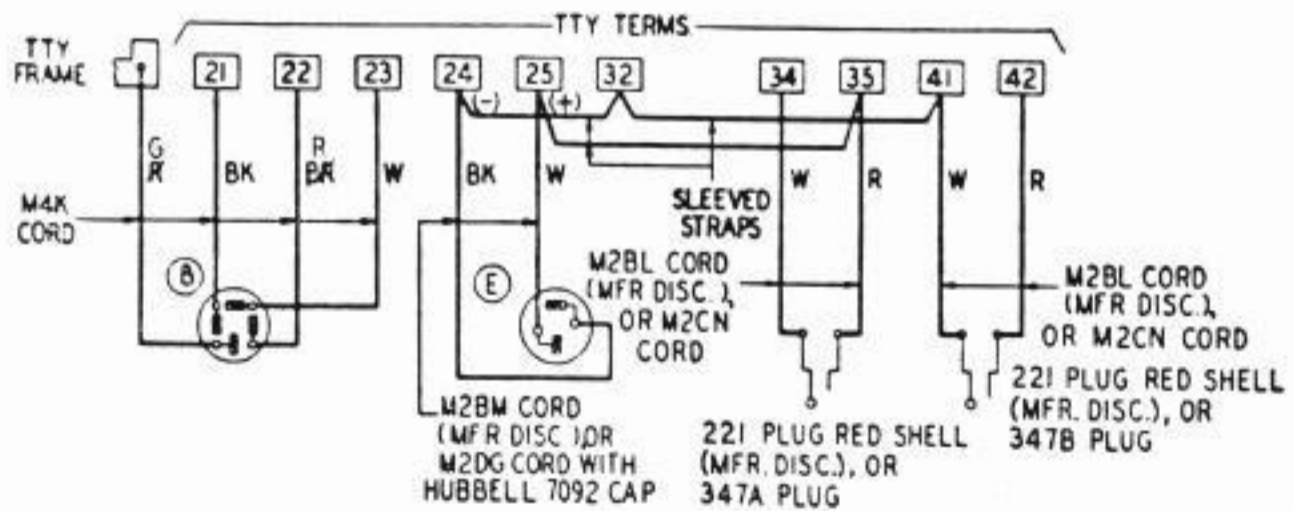
PM4.02—15N Table — Pos. Grounded 115V.D-C — Switch Motor Control.



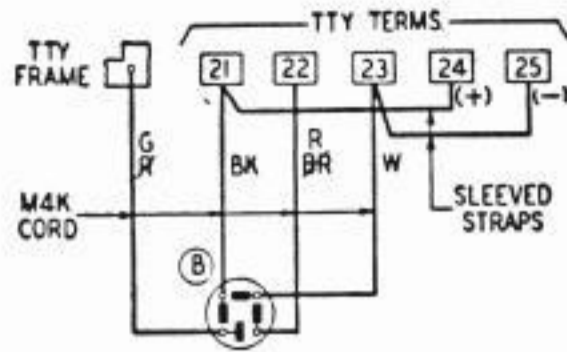
PM4.03—15N Table — 115V. A-C — Switch or Remote Motor Control.



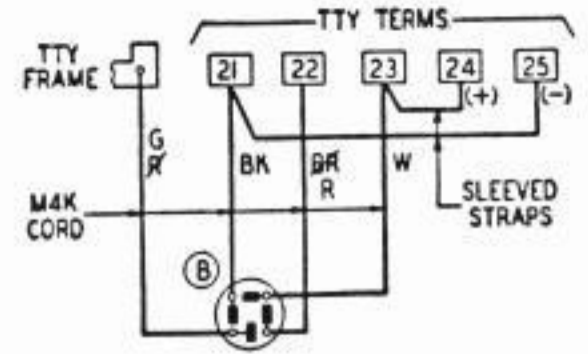
PM4.04—15N Table—15D Control Panel — Line Current from Central Office — 115V. A-C — Switch Motor Control.



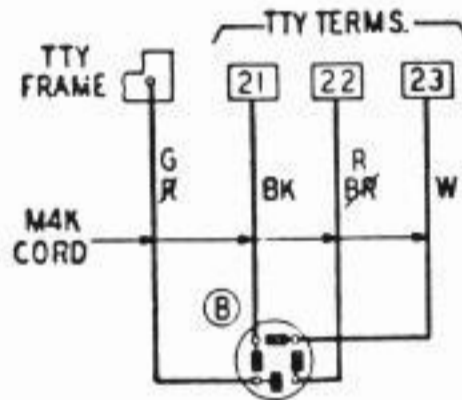
PM4.05—15N Table — 130A1 Set.



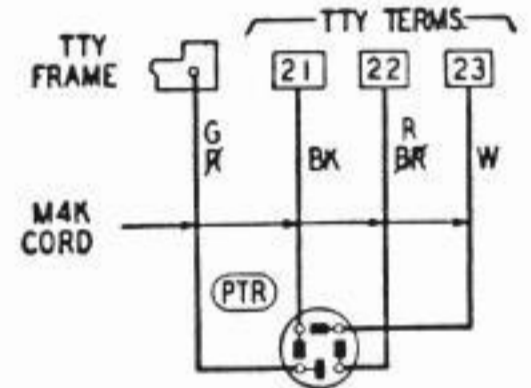
PM4.06—15N Table — Neg. Grounded or Non-Grounded 115V.D-C — Remote Motor Control.



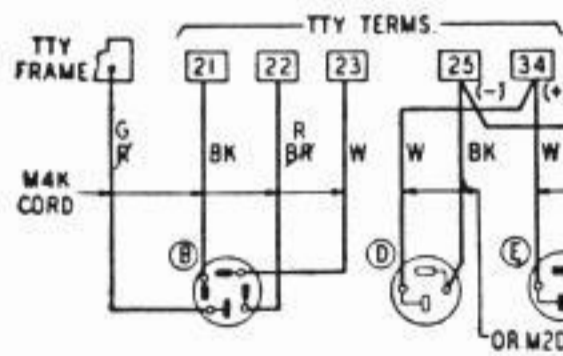
PM4.07—15N Table — Pos. Grounded 115V.D.C. — Remote Motor Control.



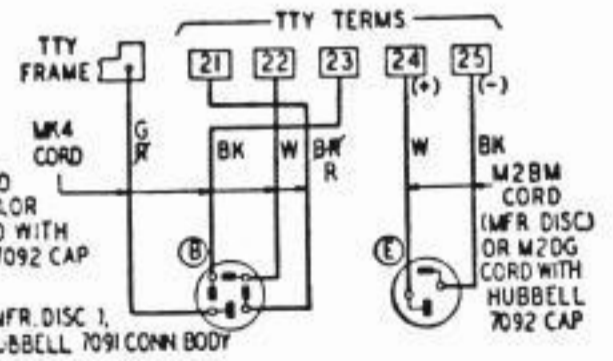
PM4.08—15N Table — 115V. A-C or D-C—Without Line Relay.



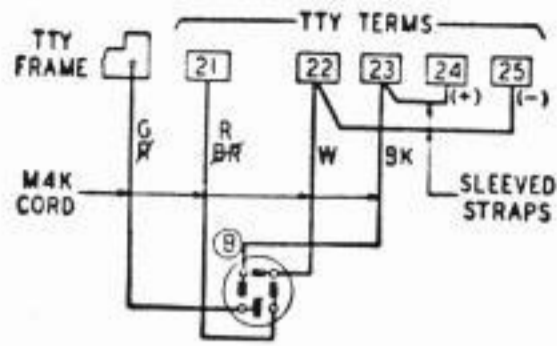
PM4.09—15N Table — 120A1 Set.



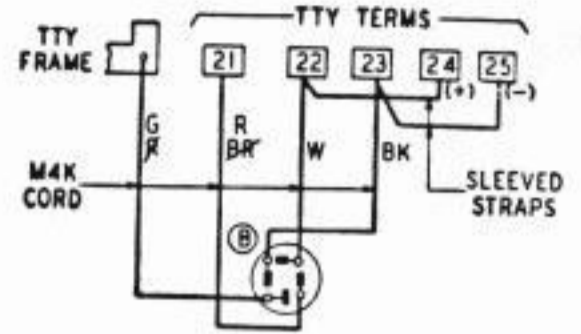
PM4.10—15N Table—Polarential Station.



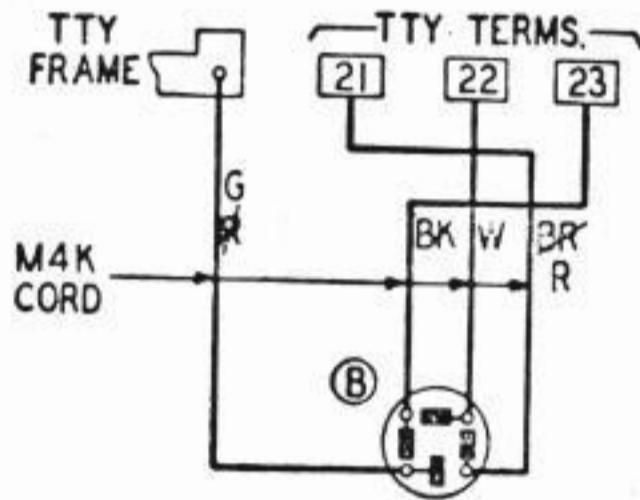
PM4.11—15N Table — 120C1, 120C2 or 120D1 Set —115V. A-C.



PM4.12—15N Table — 120C1, 120C2 or 120D1 Set —Neg. Grounded or Non-Grounded 115V. D-C.



PM4.13—15N Table — 120C1, 120C2 or 120D1 Set —Pos. Grounded 115V. D-C.



PM4.14—15N Table — 120C1, 120C2 or 120D1 Set (Without Line Relay in TTY) or 128C1 or 128C2 Set (Unattended Service).