

**BELL SYSTEM PRACTICES**  
**Teletypewriter Stations**

**ADDENDUM P30.433**  
**Issue 1, June, 1957**  
**AT&TCo Standard**

## **POWER CONNECTIONS**

### **15A TELETYPEWRITER TABLE**

#### **1. GENERAL**

1.001 This addendum supplements Section P30.433, Issue 2.

1.002 This addendum is issued to change information on the type switch assembly shown in wiring plan P3.12 of the section. The line cut in the section shows part of a Hubbell BL11253 switch assembly which has been manufacture discontinued and replaced with one of the following:

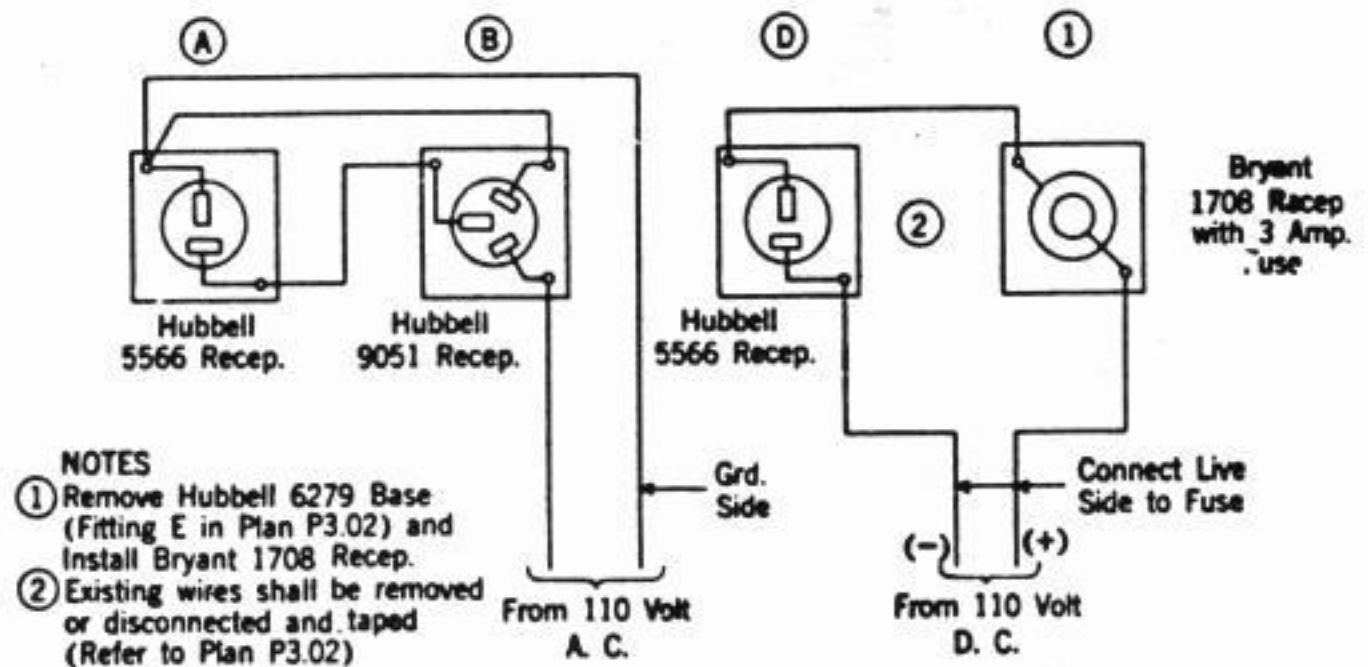
- (a) Hubbell or P & S 1317 Switch
- (b) P & S DS-1595 Switch Assembly

BELL SYSTEM PRACTICES  
Teletypewriter and Manual  
Telegraph Station and PHX  
Installation and Manual

ADDENDUM P30.433  
Issue A, 7-1-43  
Long Lines Department  
Dist. Class. 600AC

1. GENERAL

1.01 This addendum supplements Section P30.433 to add Connection Plan P9.09 which was formerly contained in Addendum P30.436, Issue A.



P 9.09

15A Table  
Separate AC and DC Supplies  
(See PM 2.06 and PM 2.07)

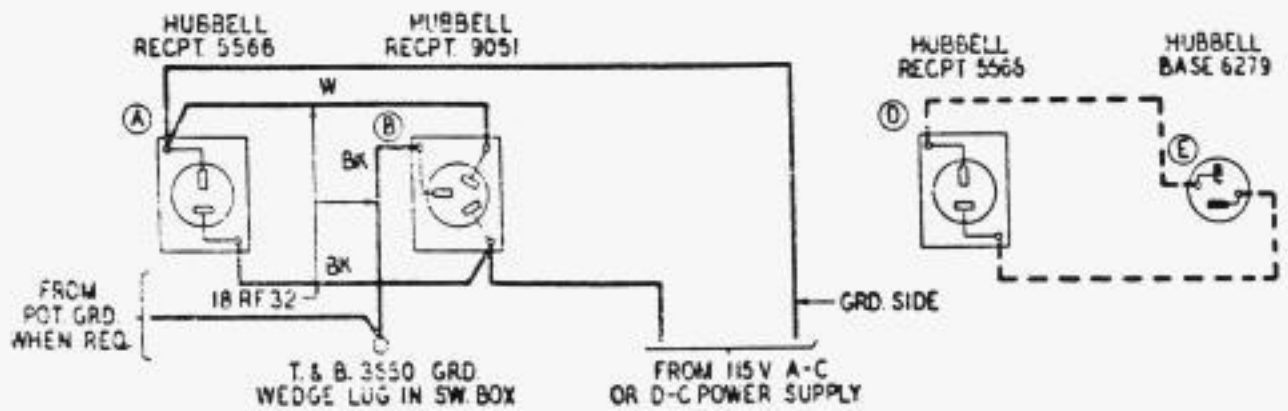
**BELL SYSTEM PRACTICES**  
**Teletypewriter and Manual**  
**Telegraph Station and P.B.X.**  
**Installation and Maintenance**

**SECTION P30.433**  
**Issue 2, January, 1937**  
**AT&T Co. Standard**

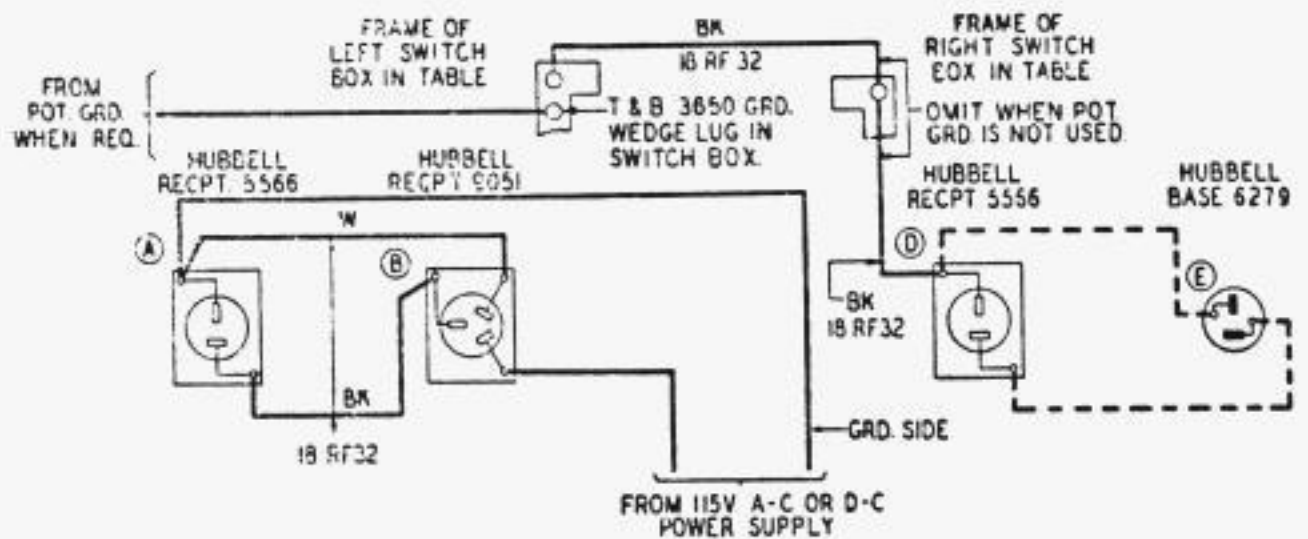
**1. GENERAL**

1.01 This section is reissued to add P3.12 and to make other slight changes.

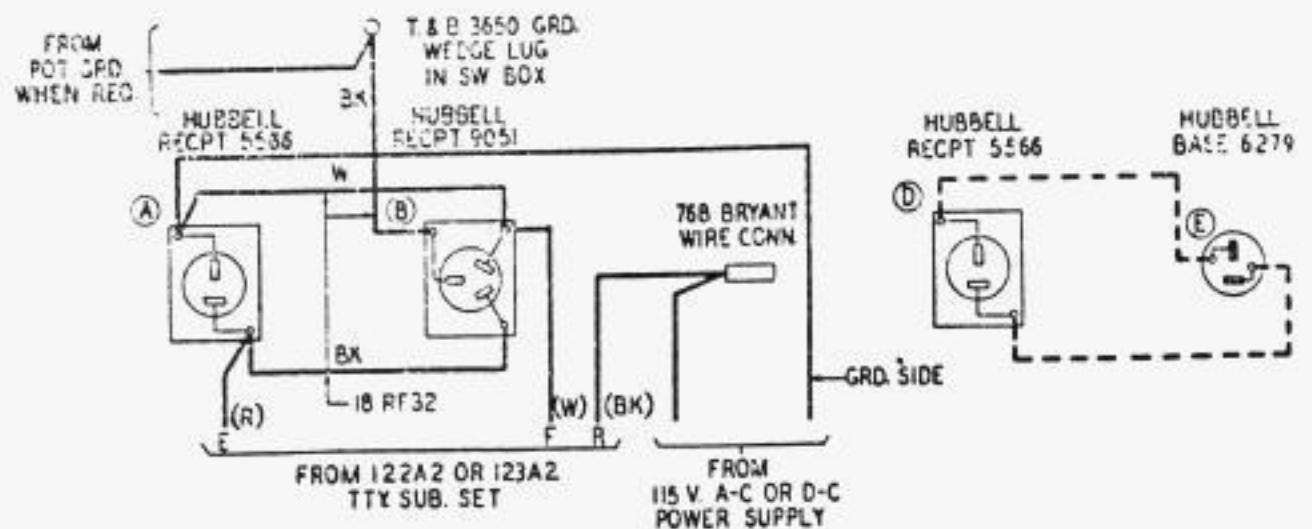
<b>Plan Number</b>	<b>Title</b>
P3.01	Remote Control or TTY Switch Control of TTY Motor (A) 124A1 or 124B1 Set (B) TWP Service—115V. A-C (except switch control with line relay). With Rect. or Mot. Gen. (when used) Operating Continuously—or 115V. D-C
P3.02	Without TTY Subset—Remote Control or TTY Switch Control of TTY Motor and Rect. or Mot. Gen.—115V. D-C (when Pot. Grd. is not used) or 115V. A-C
P3.03	122A2 or 123A2 Set
P3.04	125A2 Set
P3.05	126A1 or 126B1 Set
P3.06	128A1 Set—115V. A-C
P3.07	130A1 Set—115V. A-C (60 cycle)
P3.08	Without TTY Subset—Remote Control or TTY Switch Control of TTY Motor and Rect. or Mot. Gen.—Power Supplied to Line—With Pot. Grd. (see P3.02 when Pot. Grd. is not used)—115V. A-C
P3.10	120A1 Set—115V. A-C
P3.11A	120A1 Set—Pos. Grd. 115V. D-C
P3.11B	120A1 Set—Neg. Grd. or Non Grd. 115V. D-C
P3.12	126A2 Set



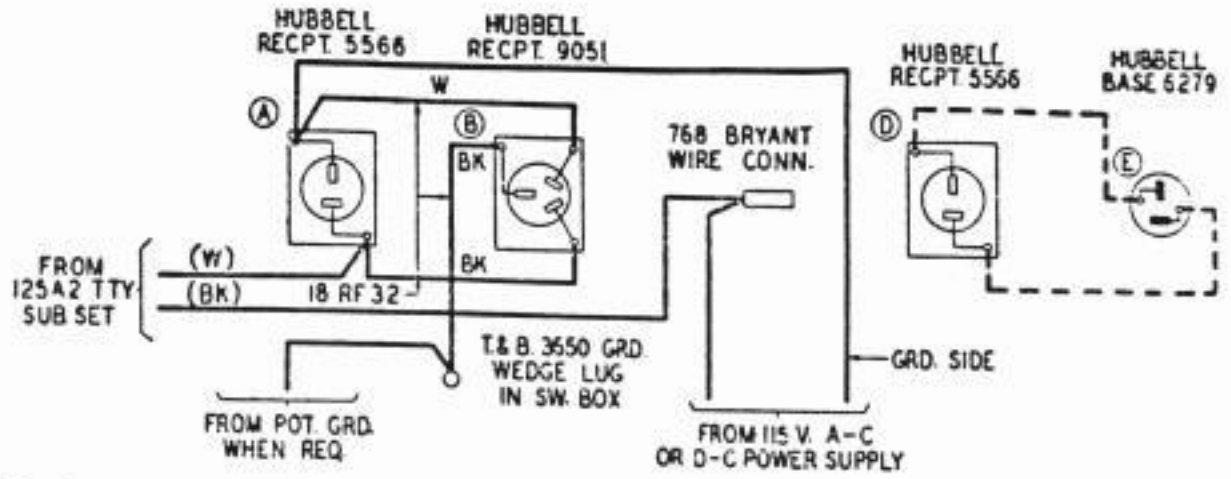
**P3.01** 15A TABLE - REMOTE CONTROL OR TTY SWITCH CONTROL OF TTY MOTOR  
 (A) I24A1 OR I24B1 SET  
 (B) TWP SERVICE - 115V. A-C (EXCEPT SWITCH CONTROL WITH LINE RELAY) WITH RECT. OR MOT. GEN. (WHEN USED) OPERATING CONTINUOUSLY OR 115V D-C.



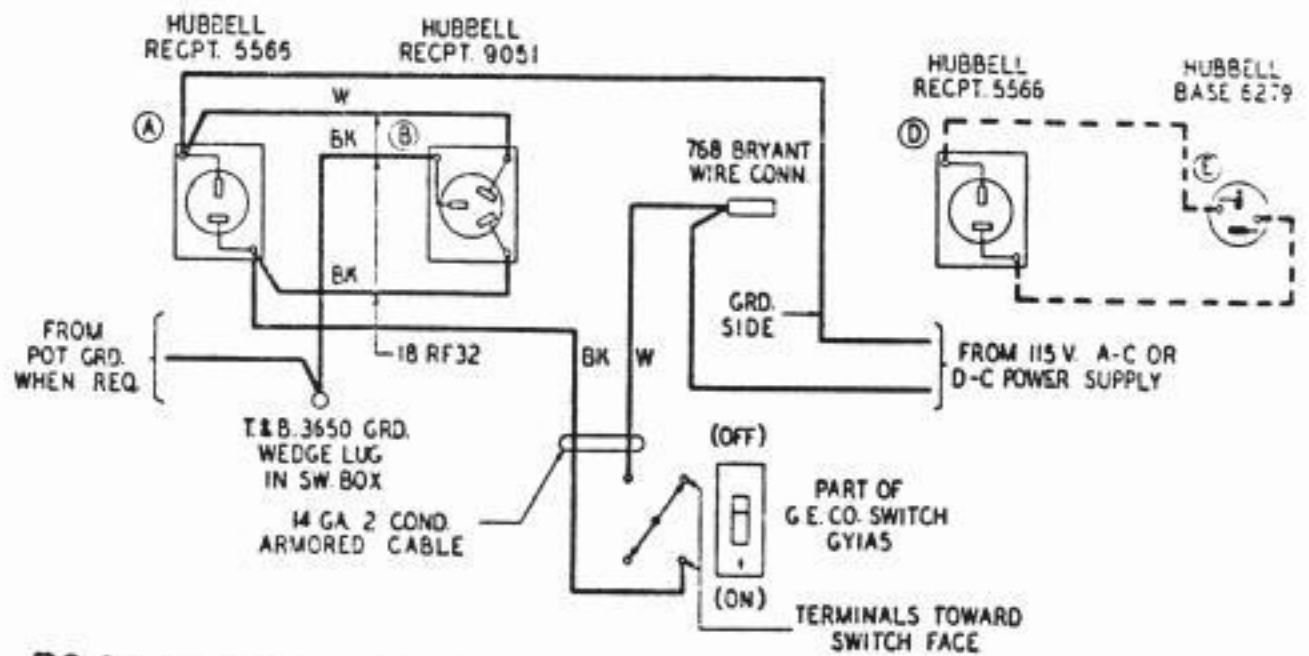
**P3.02** 15A TABLE - WITHOUT TTY SUB SET - REMOTE CONTROL OR TTY SWITCH CONTROL OF TTY MOTOR & RECT. OR MOT. GEN. - 115V. D-C (WHEN POT. GRD. IS NOT USED) OR 115V. A-C.



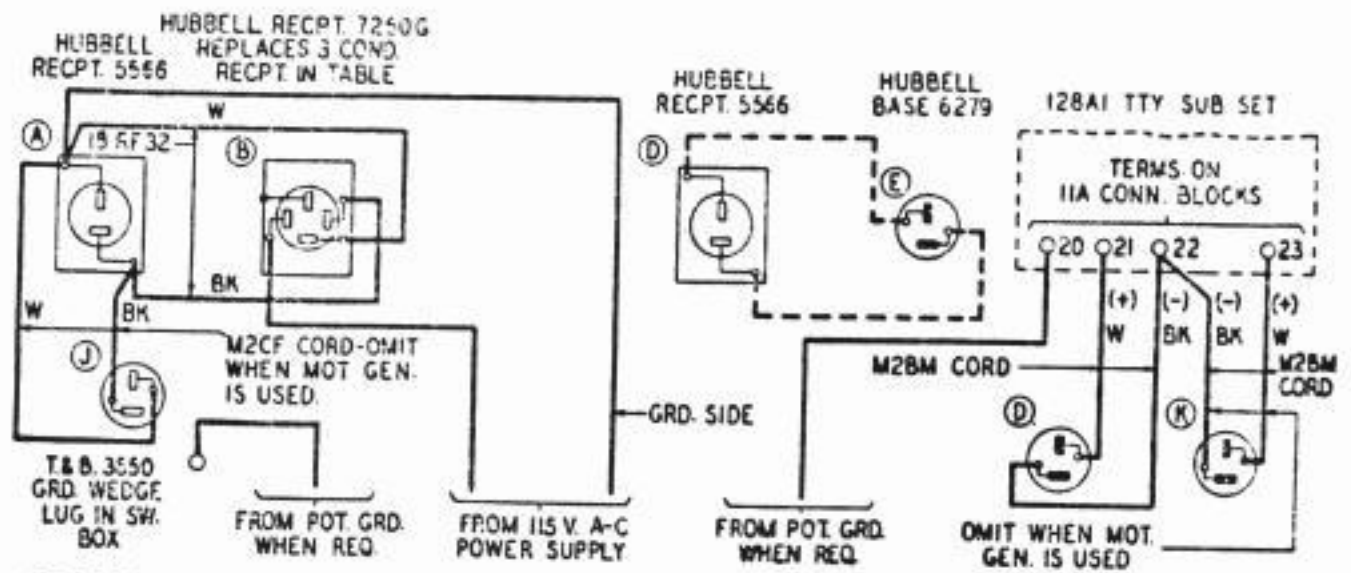
**P3.03** 15A TABLE - I22A2 OR I23A2 SET



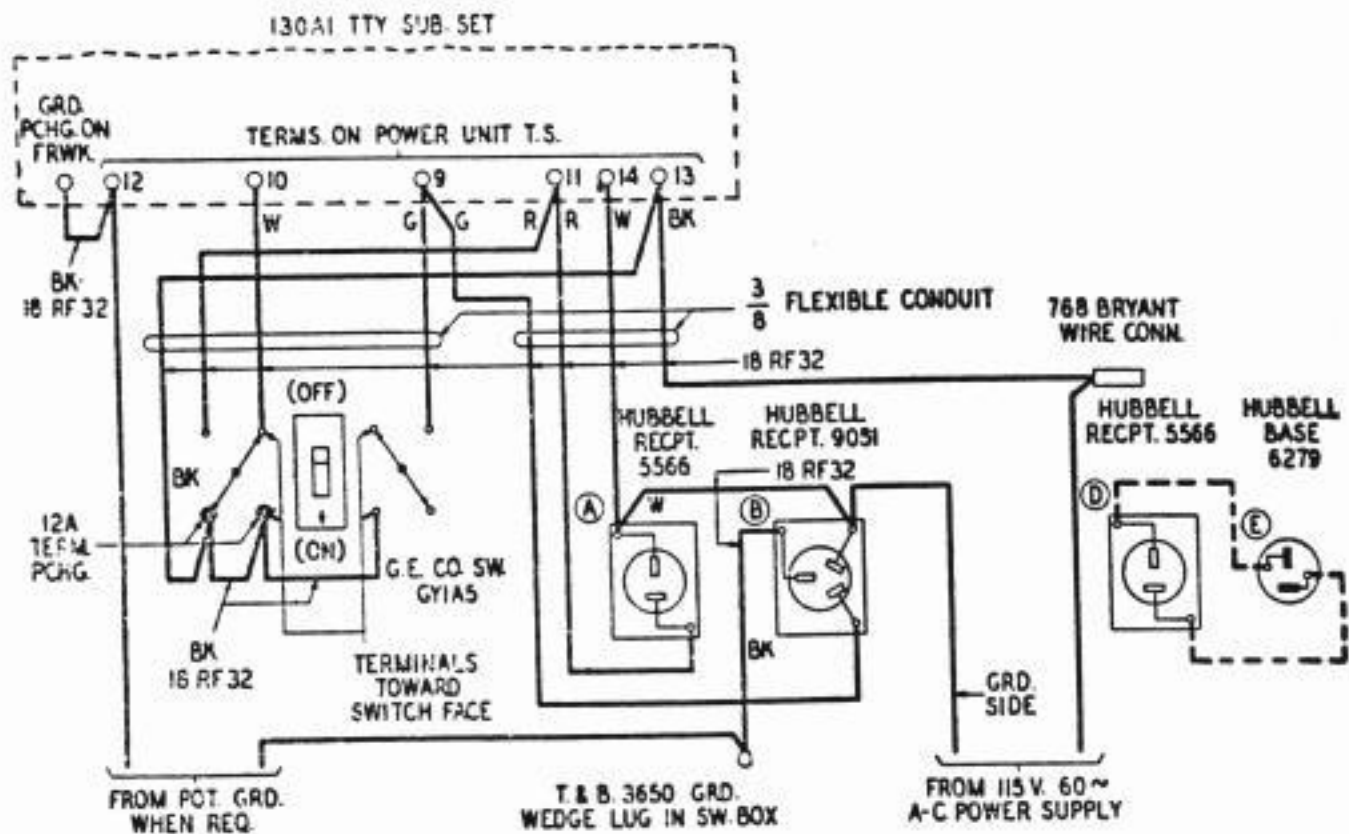
**P3.04** 15A TABLE - 125A2 SET



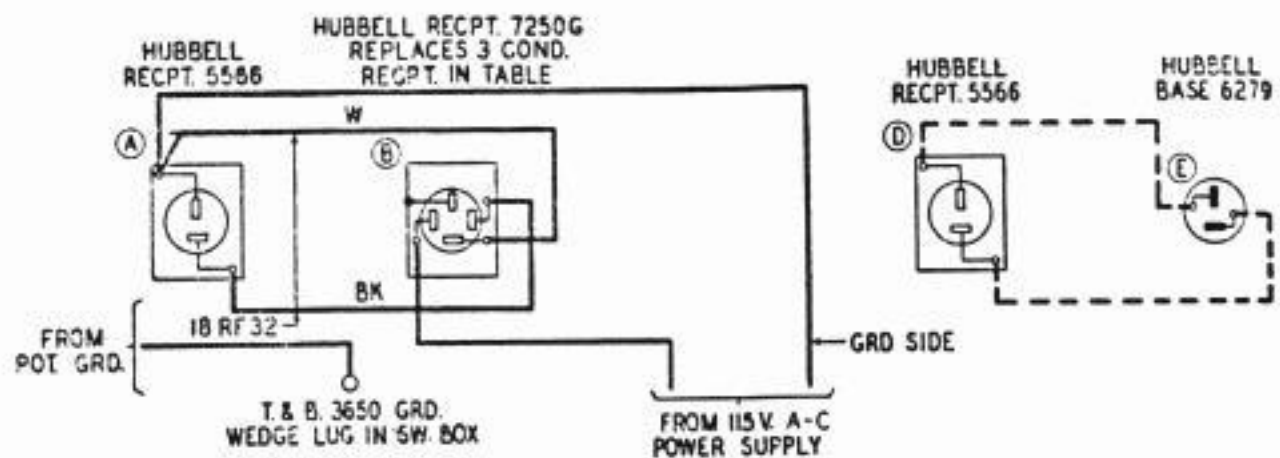
**P3.05** 15A TABLE - 126A1 OR 126B1 SET



**P3.06** 15A TABLE - 128A1 SET - 115 V. A-C

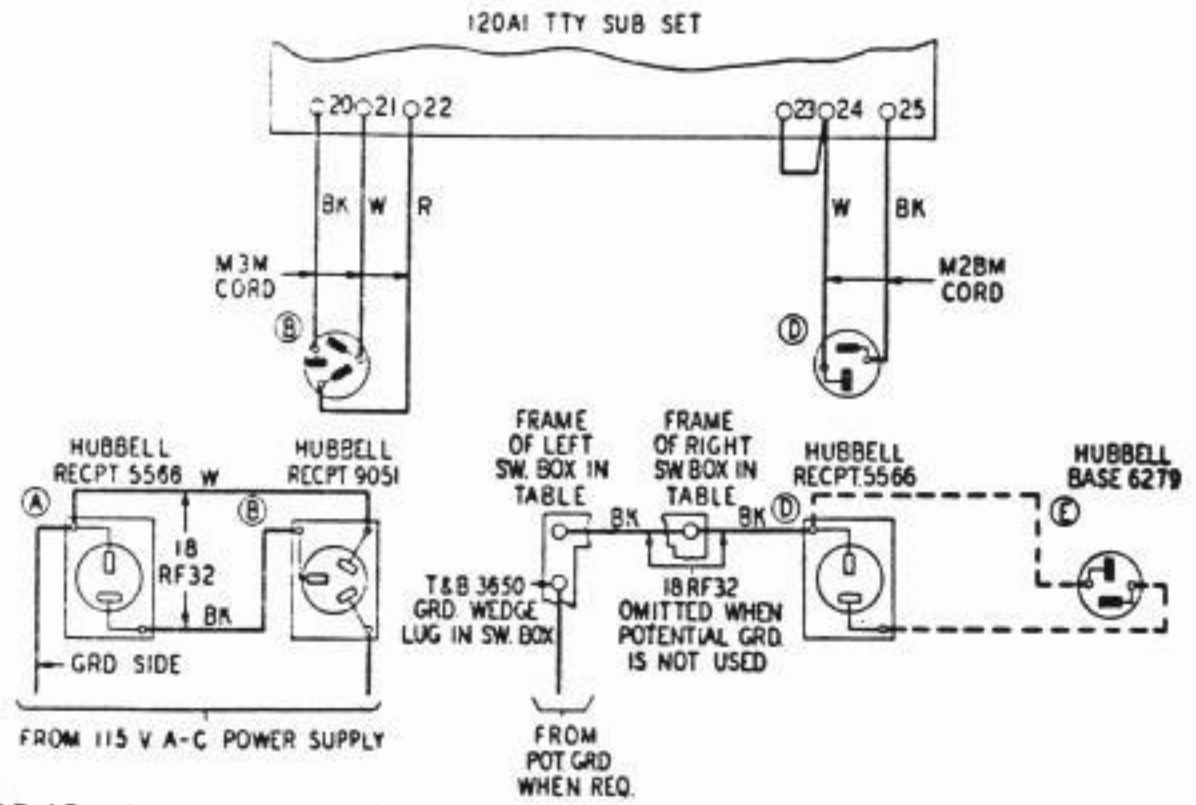


**P3.07** 15A TABLE - 130A1 SET - 115V. A-C (60 CYCLE)

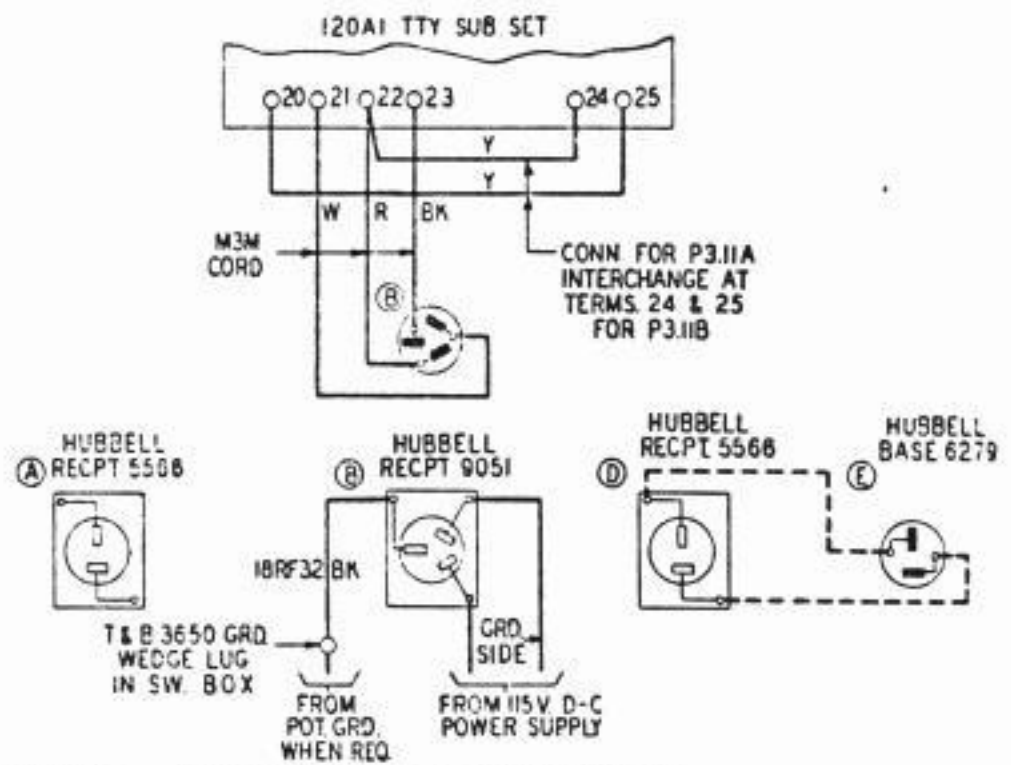


**P3.08** 15A TABLE - WITHOUT TTY SUB SET - REMOTE CONTROL OR TTY SWITCH CONTROL OF TTY MOTOR & RECT. OR MOT. GEN. - POWER SUPPLIED TO LINE - WITH POT. GRD. (SEE P3.02 WHEN POT. GRD IS NOT USED) - 115 V. A-C



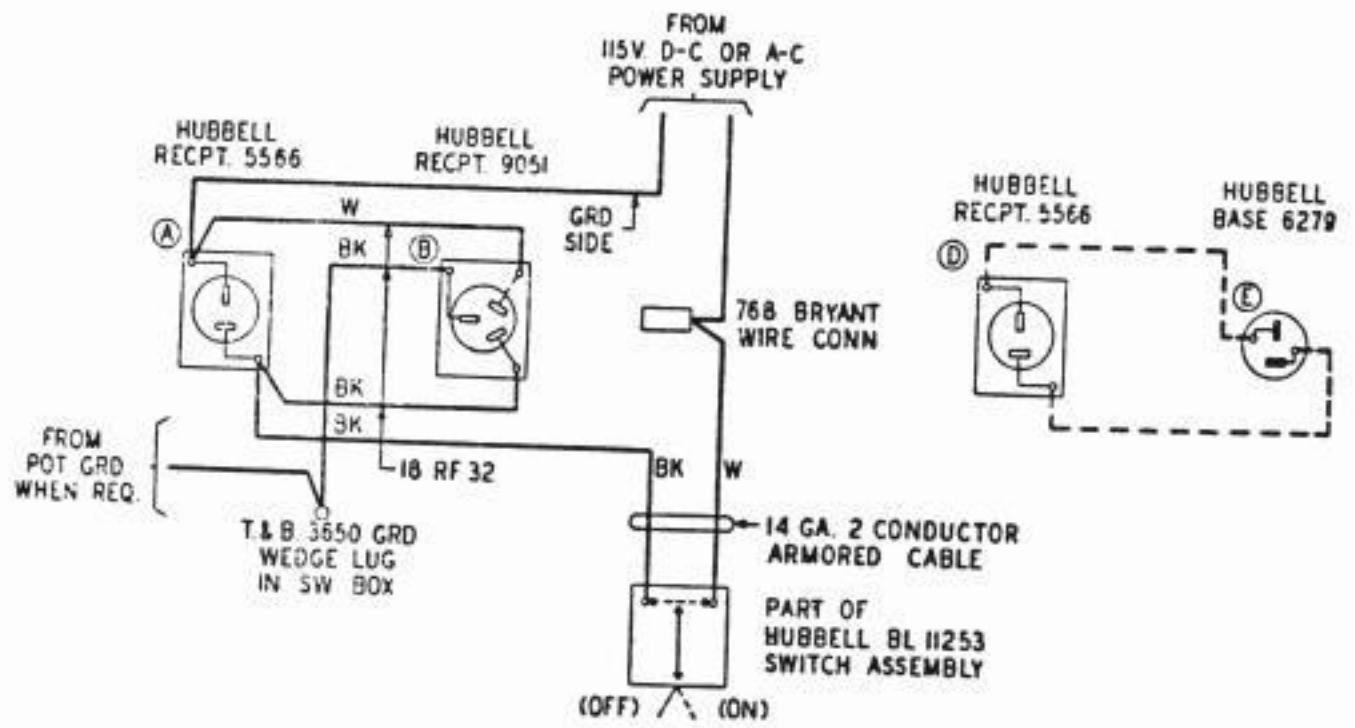


**P3.10** 15A TABLE - 120AI SET - 115V A-C



**P3.IIA** 15A TABLE - 120AI SET - POS. GRD. 115V. D-C

**P3.IIB** 15A TABLE - 120AI SET - NEG. GRD. OR NON GRD. 115V. D-C



P3.12 15A TABLE -- 126A2 SET