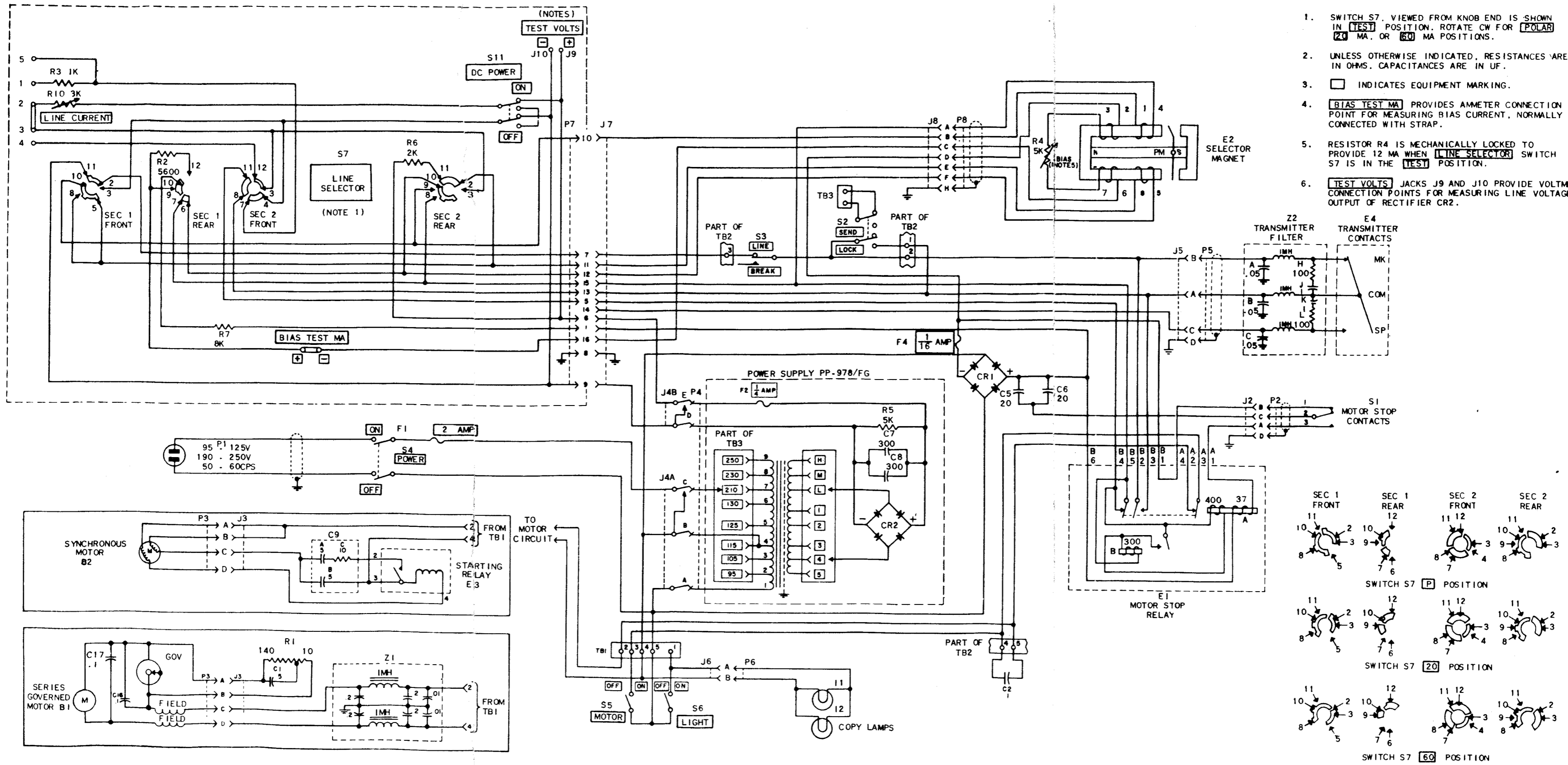
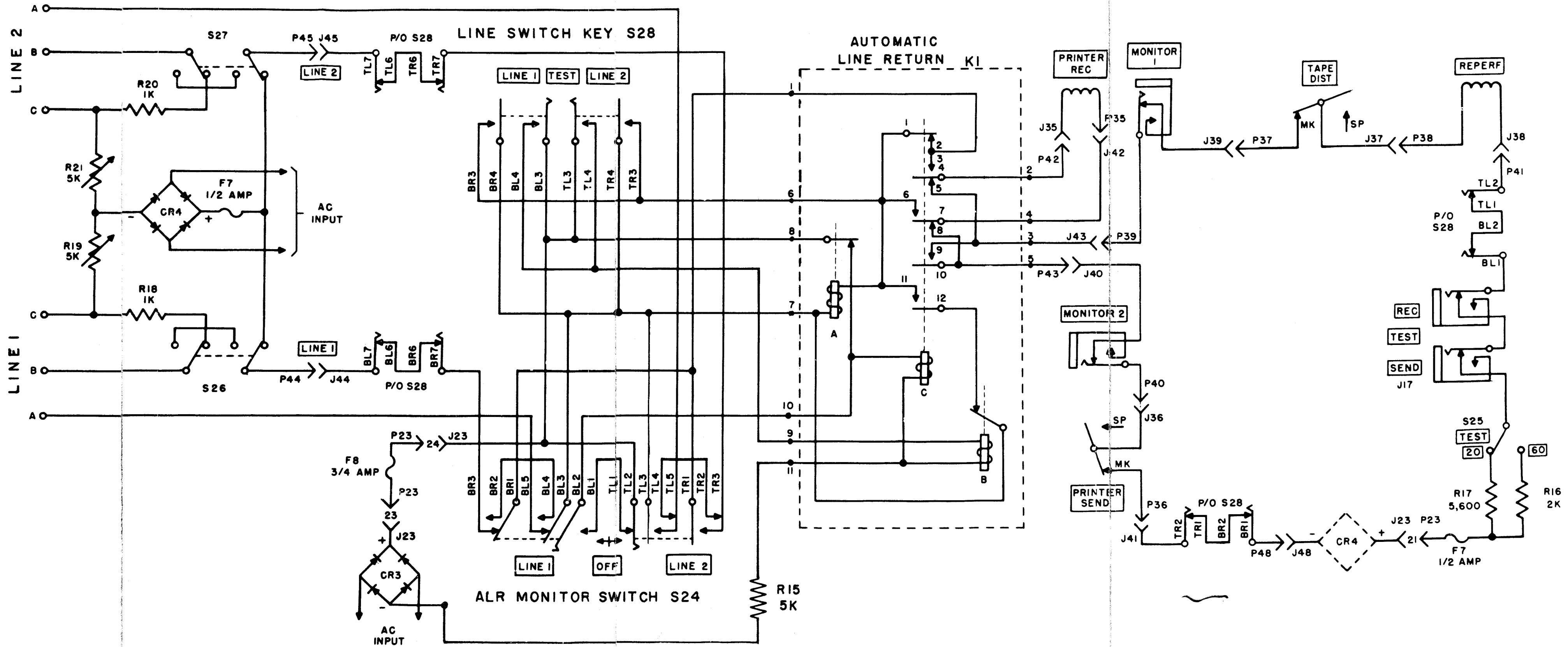


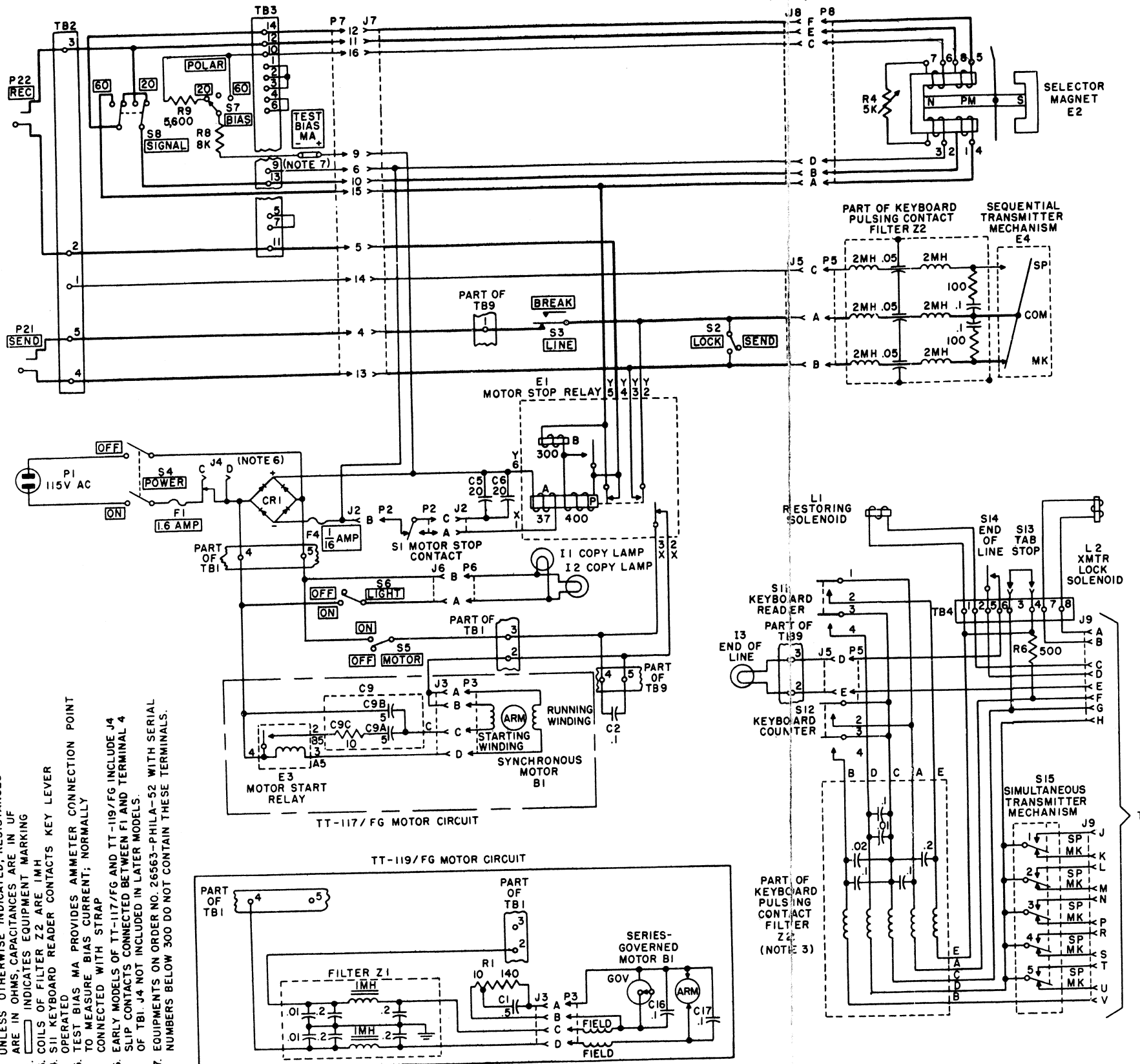
NOTES:

- SWITCH S7, VIEWED FROM KNOB END IS SHOWN IN **TEST** POSITION. ROTATE CW FOR **POLAR** 20 MA, OR **60** MA POSITIONS.
- UNLESS OTHERWISE INDICATED, RESISTANCES ARE IN OHMS, CAPACITANCES ARE IN UF.
- INDICATES EQUIPMENT MARKING.
- BIAS TEST MA** PROVIDES AMMETER CONNECTION POINT FOR MEASURING BIAS CURRENT, NORMALLY CONNECTED WITH STRAP.
- RESISTOR R4 IS MECHANICALLY LOCKED TO PROVIDE 12 MA WHEN **LINE SELECTOR** SWITCH S7 IS IN THE **TEST** POSITION.
- TEST VOLTS** JACKS J9 AND J10 PROVIDE VOLTMETER CONNECTION POINTS FOR MEASURING LINE VOLTAGE OUTPUT OF RECTIFIER CR2.

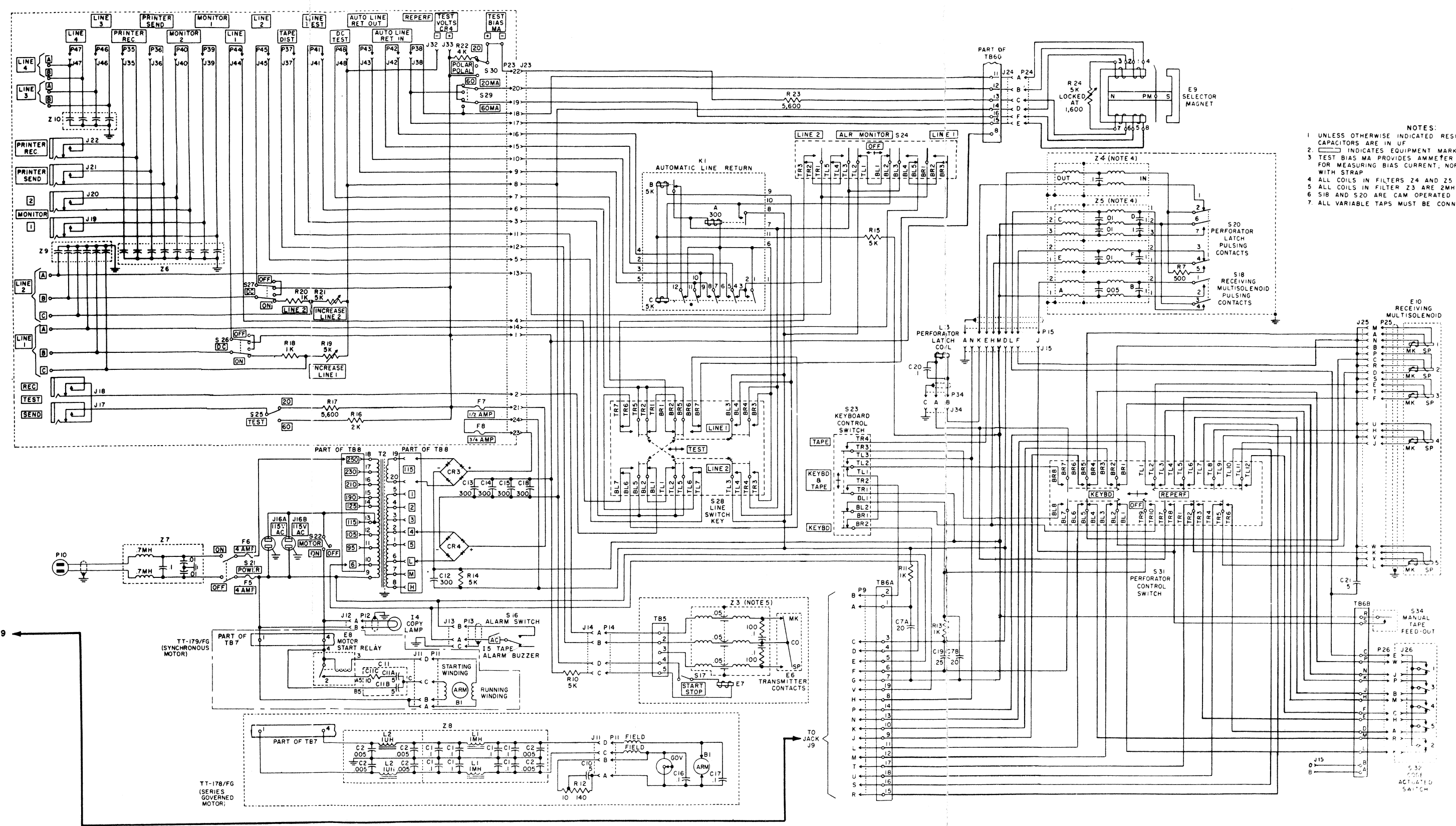




Foldout 4. Automatic line return circuit.



Page Printer Schematic Diagram (TT-117/FG and TT-119/FG)



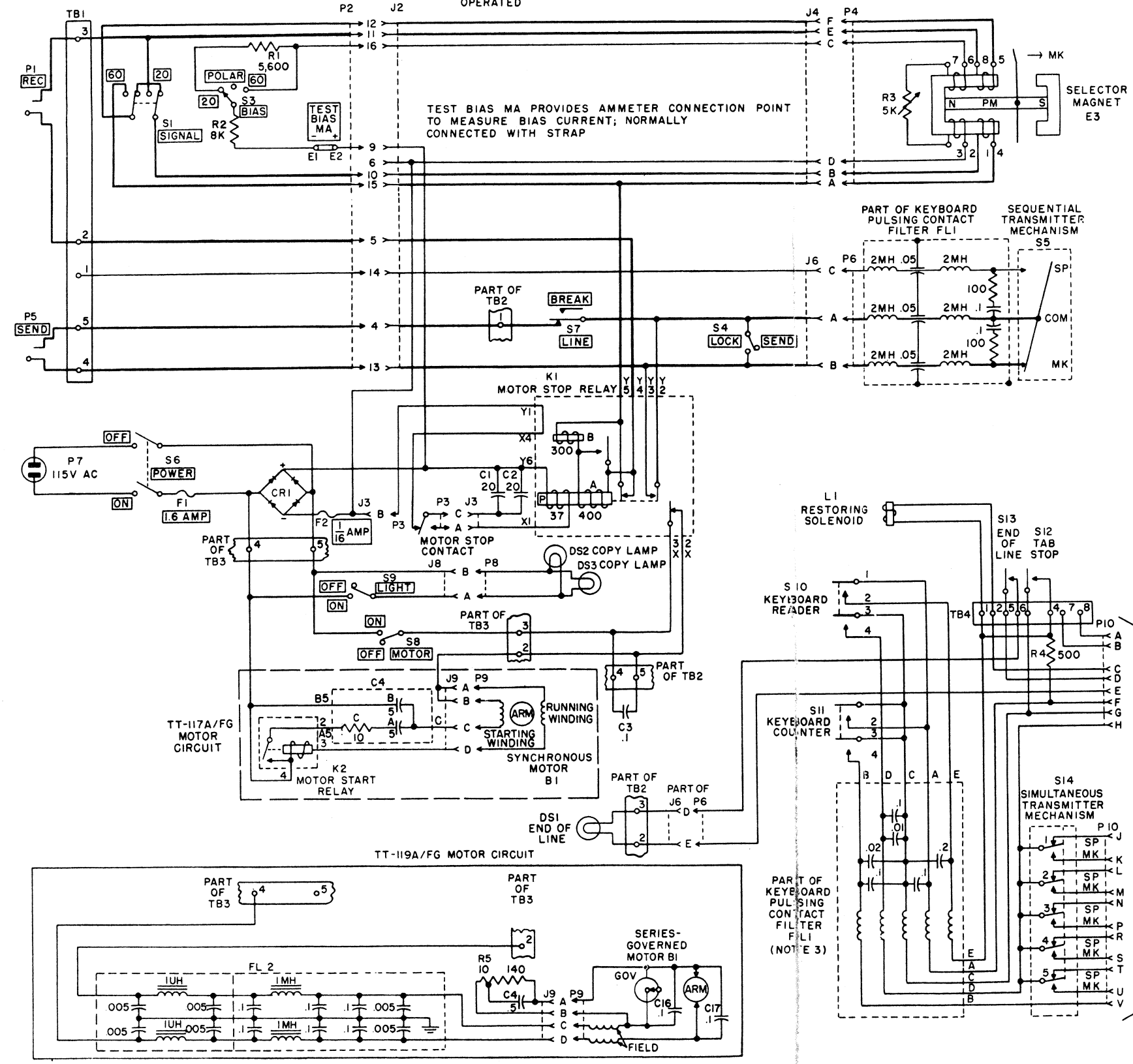
Perforator, Schematic Diagram (TT-178/FG and TT-179/FG with Exception of Order No. 08710-P-55)

NOTES:

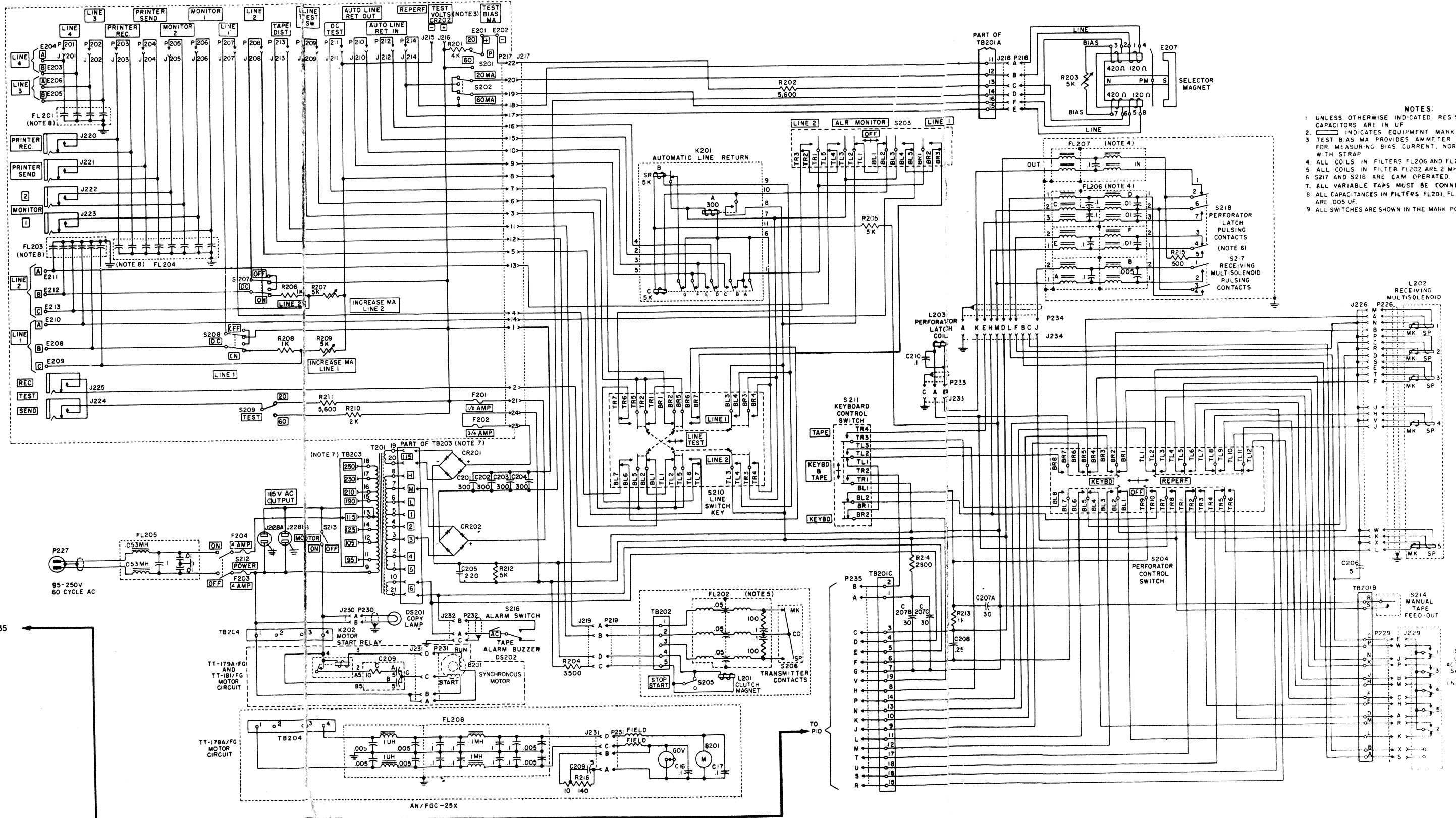
- UNLESS OTHERWISE INDICATED, RESISTANCES ARE IN OHMS, CAPACITANCES ARE IN UF
- INDICATES EQUIPMENT MARKING
- COILS OF FILTER Z2 ARE 1MH
- S11 KEYBOARD READER CONTACTS KEY LEVER OPERATED TO MEASURE BIAS CURRENT; NORMALLY CONNECTED WITH STRAP
- TEST BIAS MA PROVIDES AMMETER CONNECTION POINT TO MEASURE BIAS CURRENT; NORMALLY CONNECTED WITH STRAP
- EARLY MODELS OF TT-117/FG AND TT-119/FG INCLUDE J4 SLIP CONTACTS CONNECTED BETWEEN FLAND TERMINAL 4 OF TB1. J4 NOT INCLUDED IN LATER MODELS.
- EQUIPMENTS ON ORDER NO. 26563-PHILA-S2 WITH SERIAL NUMBERS BELOW 300 DO NOT CONTAIN THESE TERMINALS.

- NOTES:
- UNLESS OTHERWISE INDICATED RESISTORS ARE IN OHMS, CAPACITORS ARE IN UF
  - INDICATES EQUIPMENT MARKING
  - TEST BIAS MA PROVIDES AMMETER CONNECTION POINT FOR MEASURING BIAS CURRENT, NORMALLY CONNECTED WITH STRAP
  - ALL COILS IN FILTERS Z4 AND Z5 ARE 1MH
  - ALL COILS IN FILTER Z3 ARE 2MH
  - S18 AND S20 ARE CAM OPERATED
  - ALL VARIABLE TAPS MUST BE CONNECTED

- NOTES:
- UNLESS OTHERWISE INDICATED, RESISTANCES ARE IN OHMS, CAPACITANCES ARE IN UF
  - INDICATES EQUIPMENT MARKING
  - COILS OF FILTER FL1 ARE 1MH
  - S10 KEYBOARD READER CONTACTS KEY LEVER OPERATED



Page Printer, Schematic Diagram (TT-117A/FG and TT-119A/FG)



Perforator Schematic Diagram (TT-178A/FG, TT-179A/FG, and TT-181/FG)

Foldout 3. AN/FGC-25 (later models) schematic diagrams.

- NOTES:
- UNLESS OTHERWISE INDICATED RESISTORS ARE IN OHMS.
  - CAPACITORS ARE IN UF
  - INDICATES EQUIPMENT MARKING
  - TEST BIAS MA PROVIDES AMMETER CONNECTION POINT FOR MEASURING BIAS CURRENT, NORMALLY CONNECTED WITH STRAP
  - ALL COILS IN FILTERS FL206 AND FL207 ARE 1MH
  - ALL COILS IN FILTER FL202 ARE 2 MH
  - S217 AND S218 ARE CAM OPERATED
  - ALL VARIABLE TAPS MUST BE CONNECTED
  - ALL CAPACITANCES IN FILTERS FL201, FL203 AND FL204, ARE .005 UF
  - ALL SWITCHES ARE SHOWN IN THE MARK POSITION