

PARTS
CONVERTER CABINETS (LCAC)
for
1A HIGH SPEED SELECTIVE CALLING SYSTEM

FIGURE	CONTENTS	PAGE
1	Cabinet Components	2
2	175314** (Left) and 175315** (Right) Rear Door Assemblies and Base	3
3	Cable Components	4
4	R/T Interconnecting Cables	5
5	175354** (Left) and 175358** (Right) Glass Door Assemblies	6
6	Module Grid and Cover Plates	7
7	Module and Hanger Shelves	8
8	Supporting Posts, Brackets and Buss Bars	9
9	Right Side Mounting Slides	10
10	Left Side Mounting Slides	11
11	Ventilating Fan Components	12
12	174828, 174829 and 174830 Static Eliminator Assemblies	13
13	Noise Reduction Pads	14
	Numerical Index	15

NOTE:

When ordering parts from this section
prefix each number with the letters TP

PAINT FINISH SUFFIXES

<u>Multi- Color Code</u>	<u>Color (Smooth)</u>	<u>Suffix</u>
MH	Light Gray	EJ
	Maritime Deck Gray (Medium)	BJ
	Charcoal Gray (Dark)	BZ

Other colors available upon request.

SECTION 592-850-802

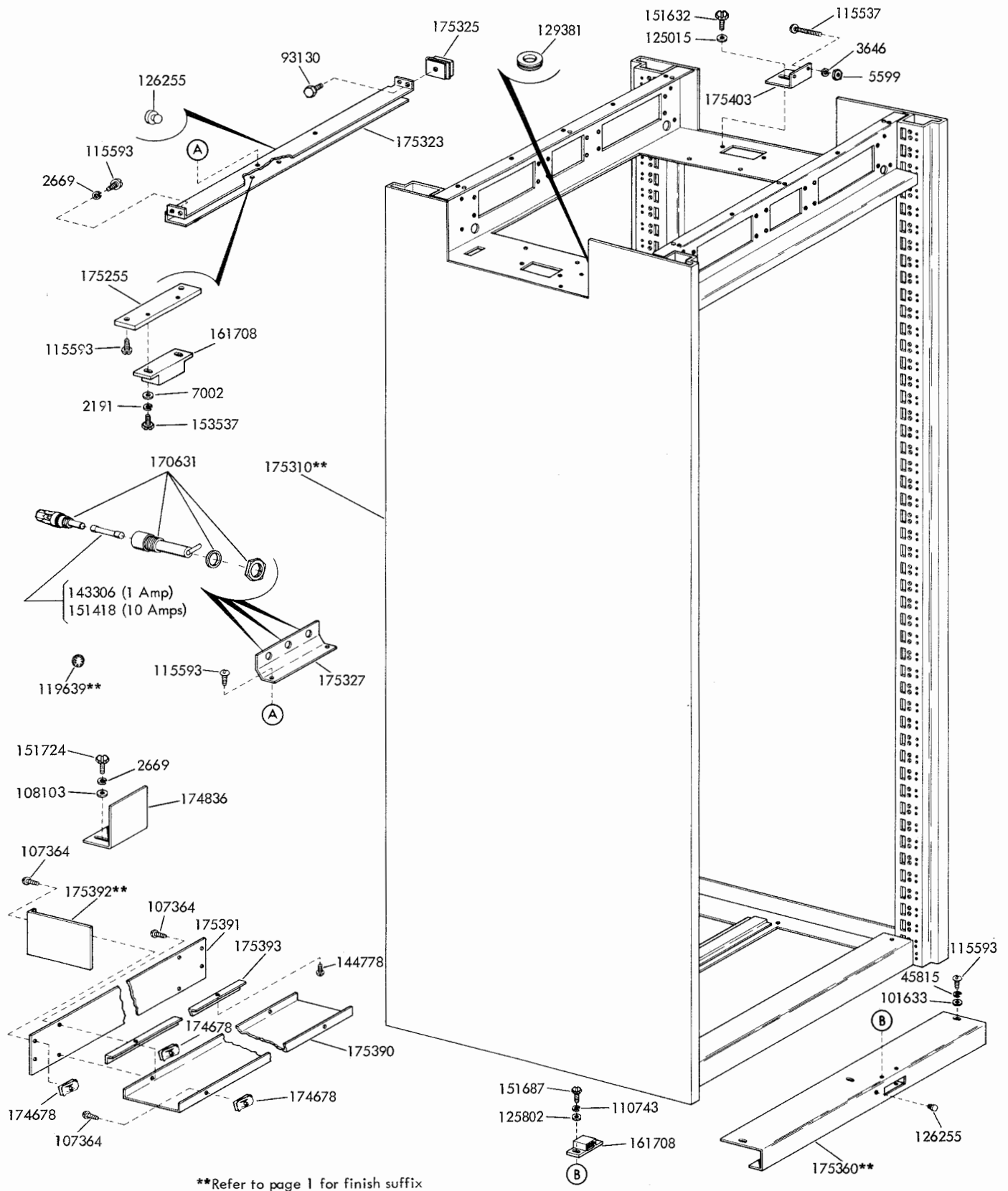


FIGURE 1. CABINET COMPONENTS

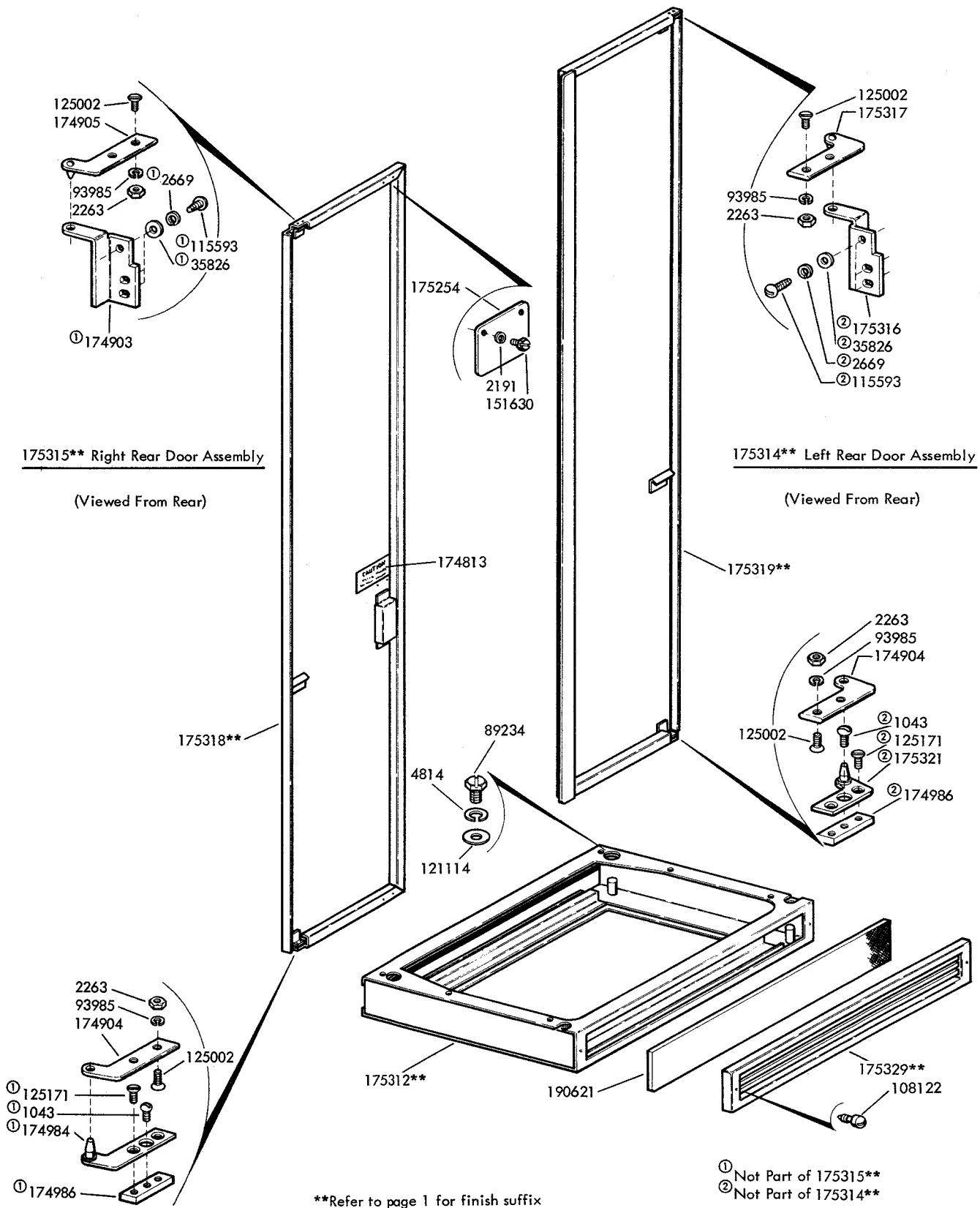


FIGURE 2. 175314** (LEFT) AND 175315** (RIGHT) REAR DOOR ASSEMBLIES AND BASE

SECTION 592-850-802

CONNECTORS									
Inner (Length .31)			Outer (Length .25)			Insulated (Length .46)			
Part No.	I.D.	O.D.	Color	Part No.	I.D.	Color	Part No.	I.D.	Color
171950	.090	.114	Orange	171961	.187	Orange	171972	.187	Green
171951	.109	.131	Red	171962	.199	Tin	171973	.207	Black
171952	.124	.145	Green	171963	.207	Yellow	171974	.261	Red
171953	.134	.156	Orange	171964	.235	Orange	172275	.156	Yellow
171954	.150	.181	Blue	171965	.261	Yellow	172276	.180	Blue
171955	.156	.191	Red	171966	.281	Purple	172277	.235	Green
171956	.180	.204	Green	171967	.300	Green	172278	.281	Blue
171957	.194	.225	Blue	171968	.312	Yellow	172279	.312	Yellow
171958	.219	.243	Tin	171969	.344	Orange			
171959	.261	.297	Blue	171970	.375	Blue			
171960	.297	.337	Red	171971	.405	Red			

CABLE CLAMPS	
Part No.	I.D.
174757	5/16 thru 7/16
174758	7/16 thru 5/8
174759	5/8 thru 3/4
174760	3/4 thru 7/8

INSULATING SLEEVES		
Part No.	I.D.	Length
155750	3/32	1/2"
155751	1/8	1"
155752	5/64	1/2"
155753	1/8	1/2"
155754	1/16	1/2"
155755	11/64	5/8"

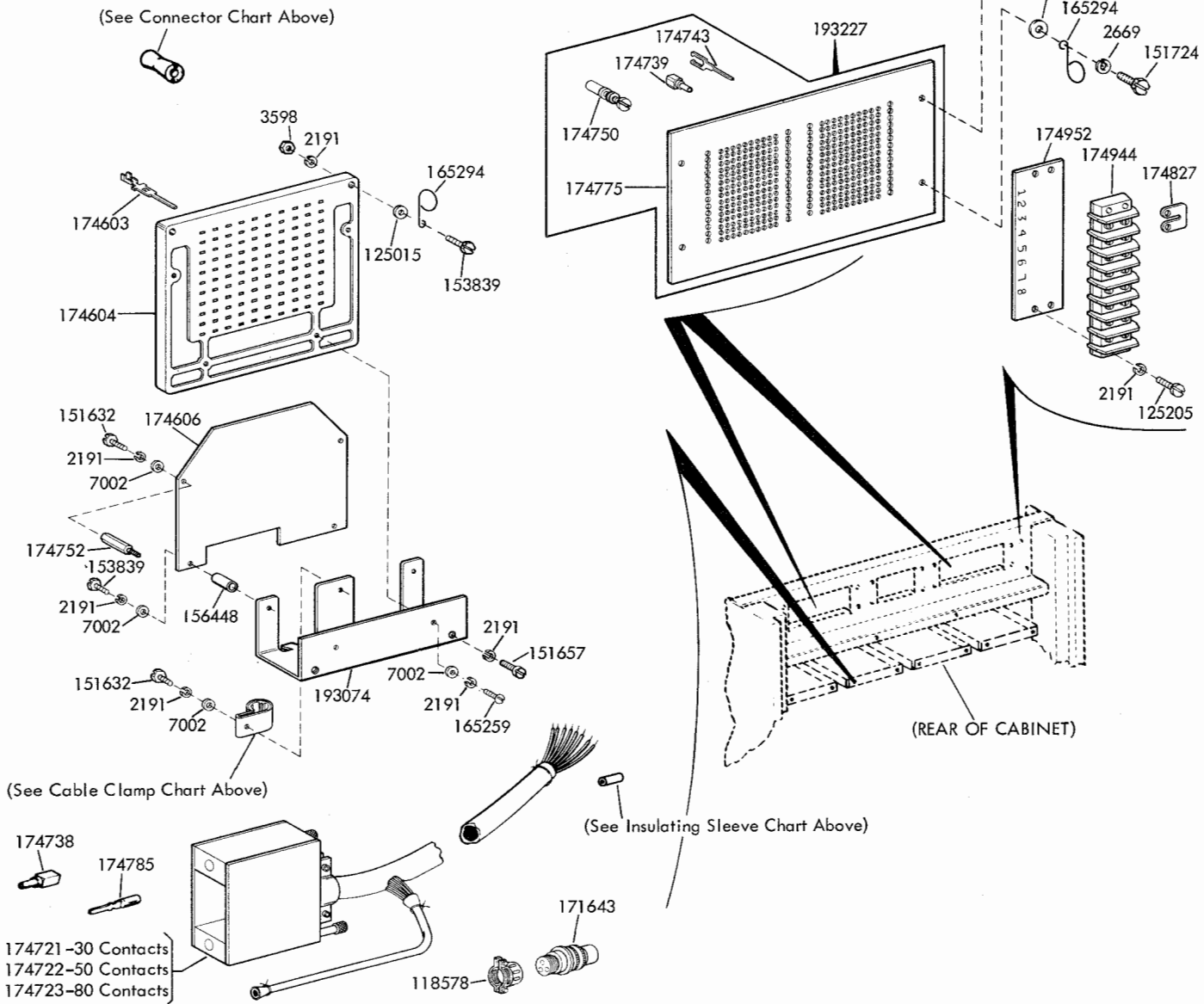
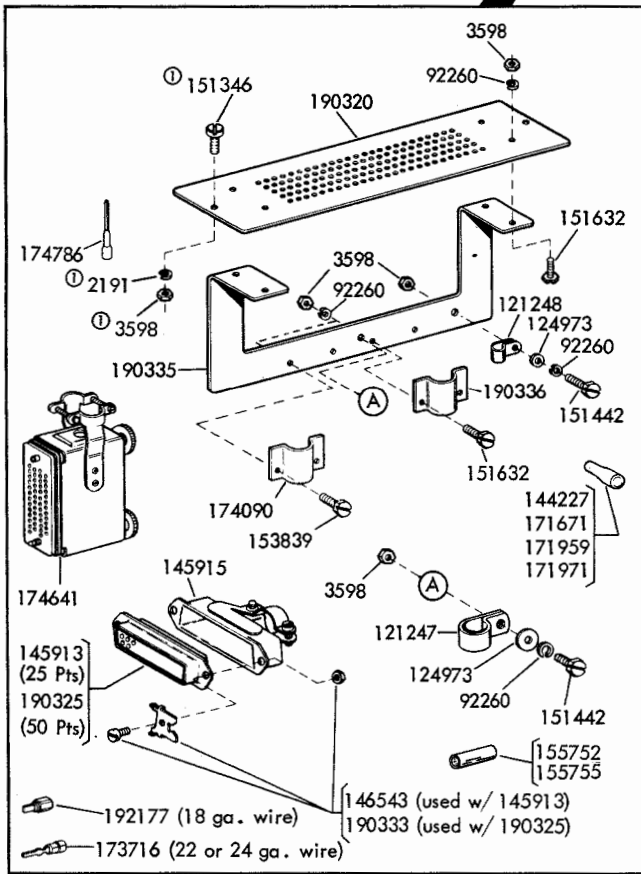
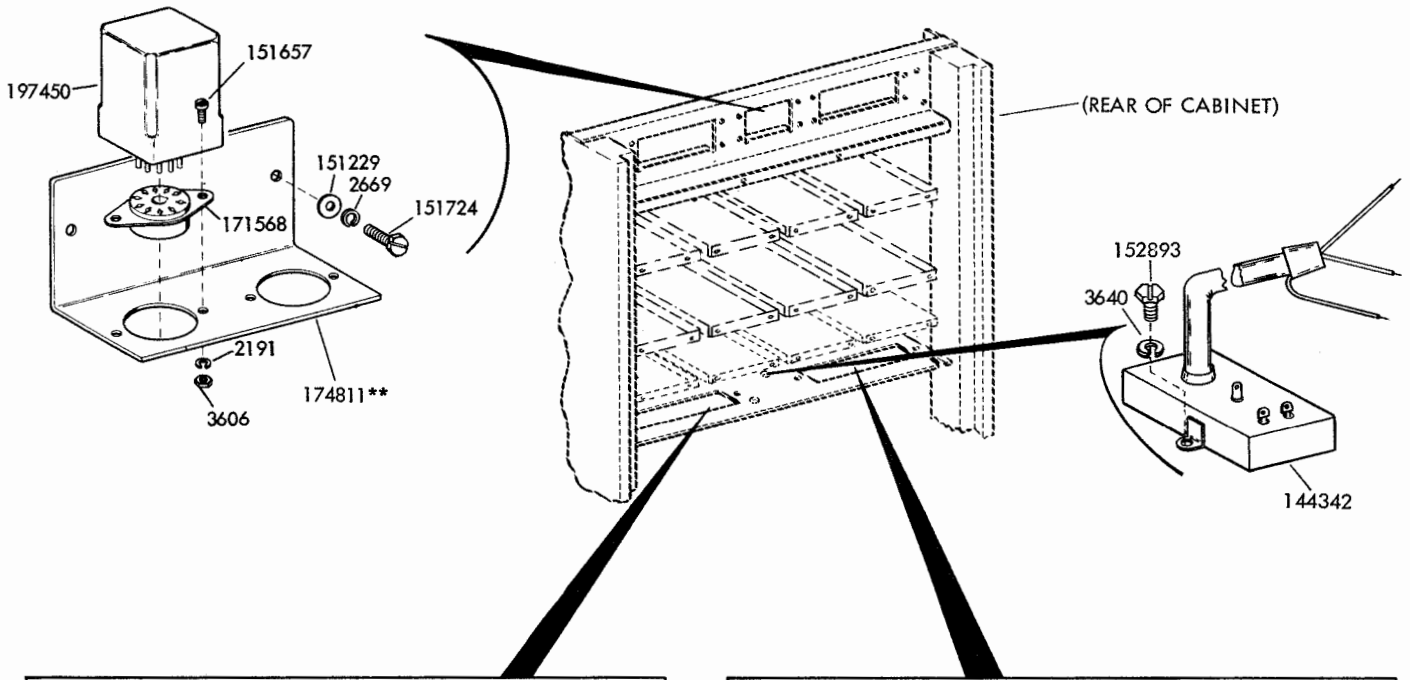
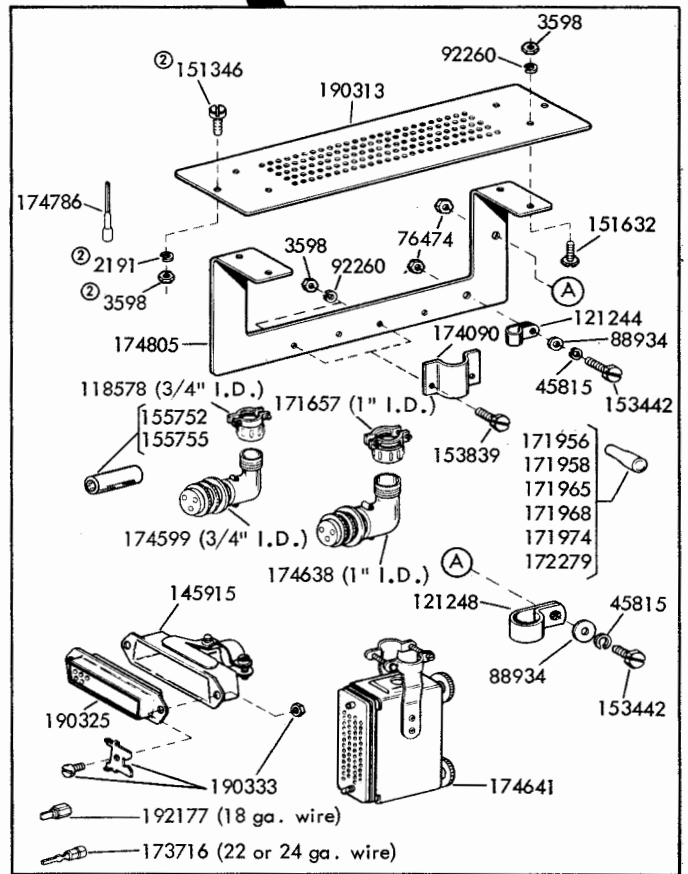


FIGURE 3. CABLE COMPONENTS



190050 Cable Assembly (H/L)

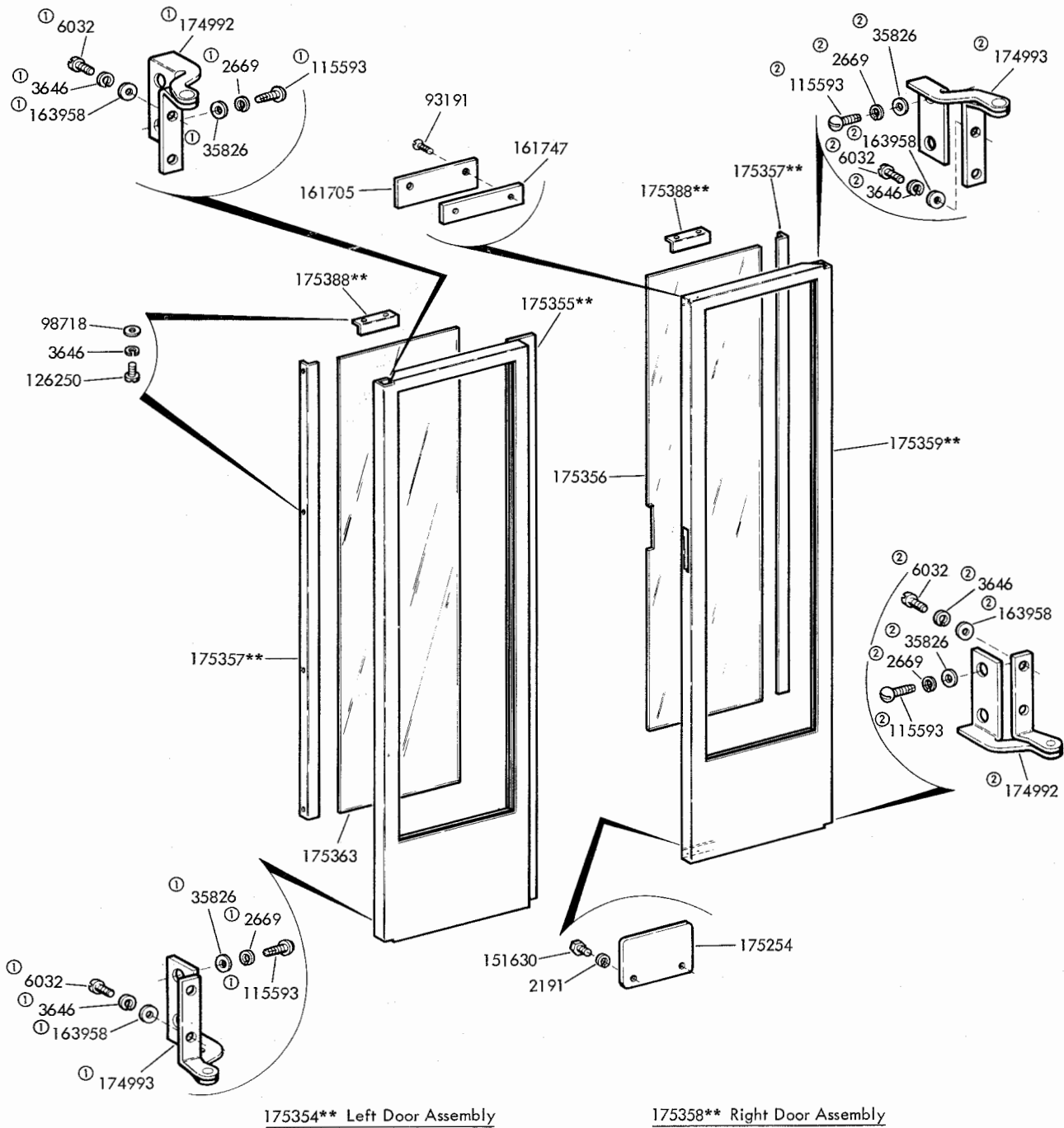
① Not Part of 190050



190312 Cable Assembly (L/H)

② Not Part of 190312

FIGURE 4. R/T INTERCONNECTING CABLES



- ① Not Part of 175354** Left Door Assembly
- ② Not Part of 175358** Right Door Assembly

**Refer to page 1 for finish suffix

FIGURE 5. 175354** (LEFT) AND 175358** (RIGHT) GLASS DOOR ASSEMBLIES

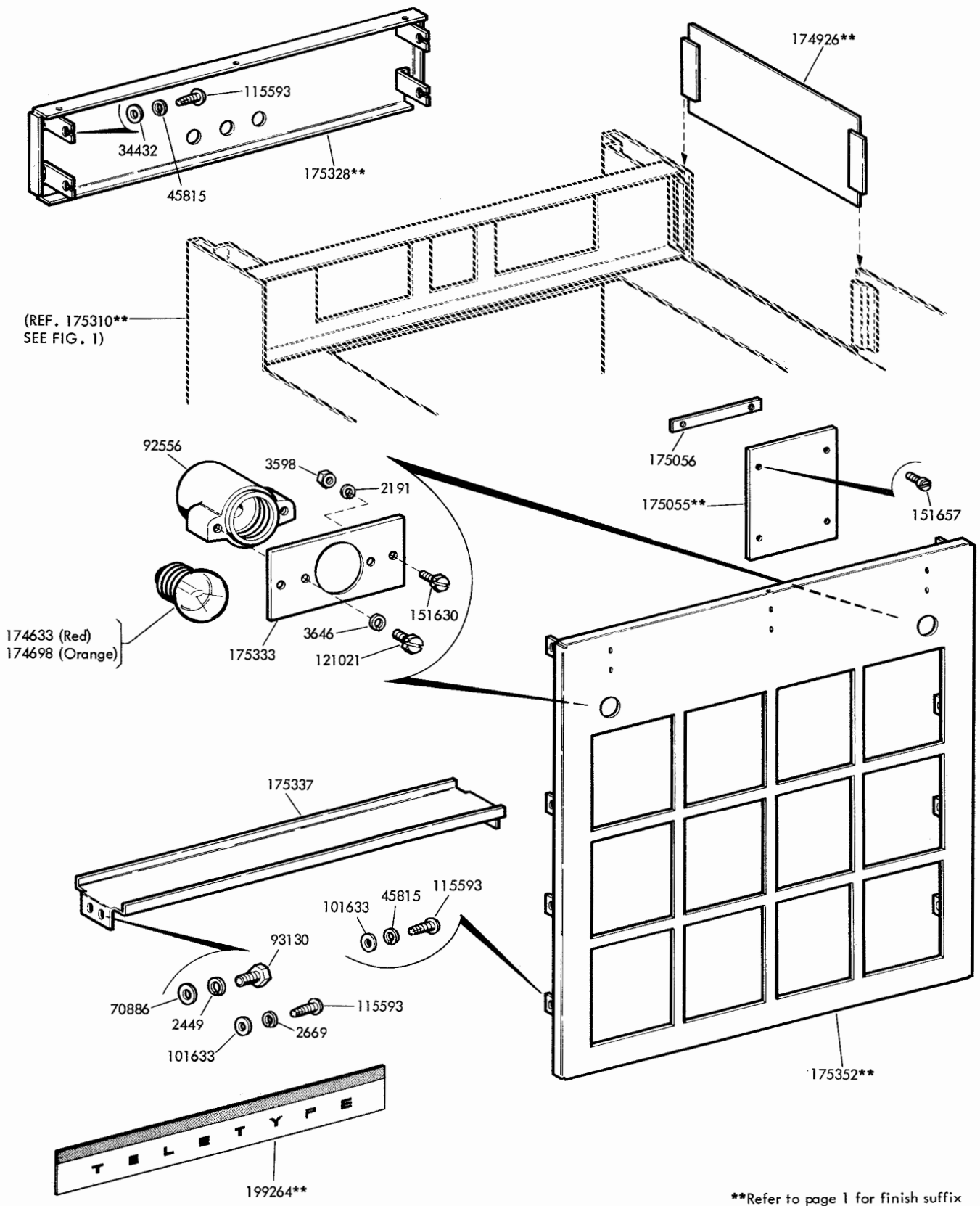


FIGURE 6. MODULE GRID AND COVER PLATES

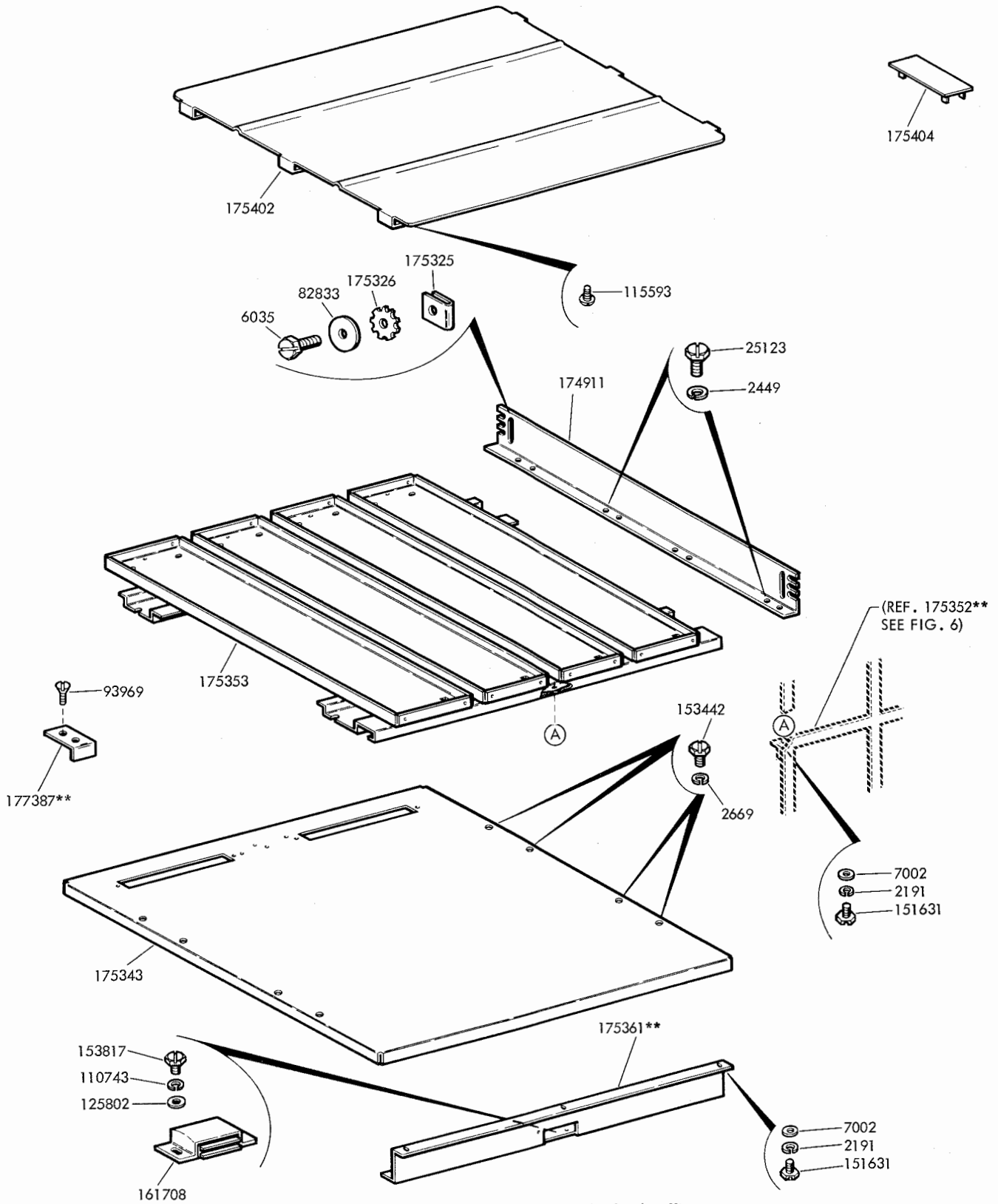


FIGURE 7. MODULE AND HANGER SHELVES

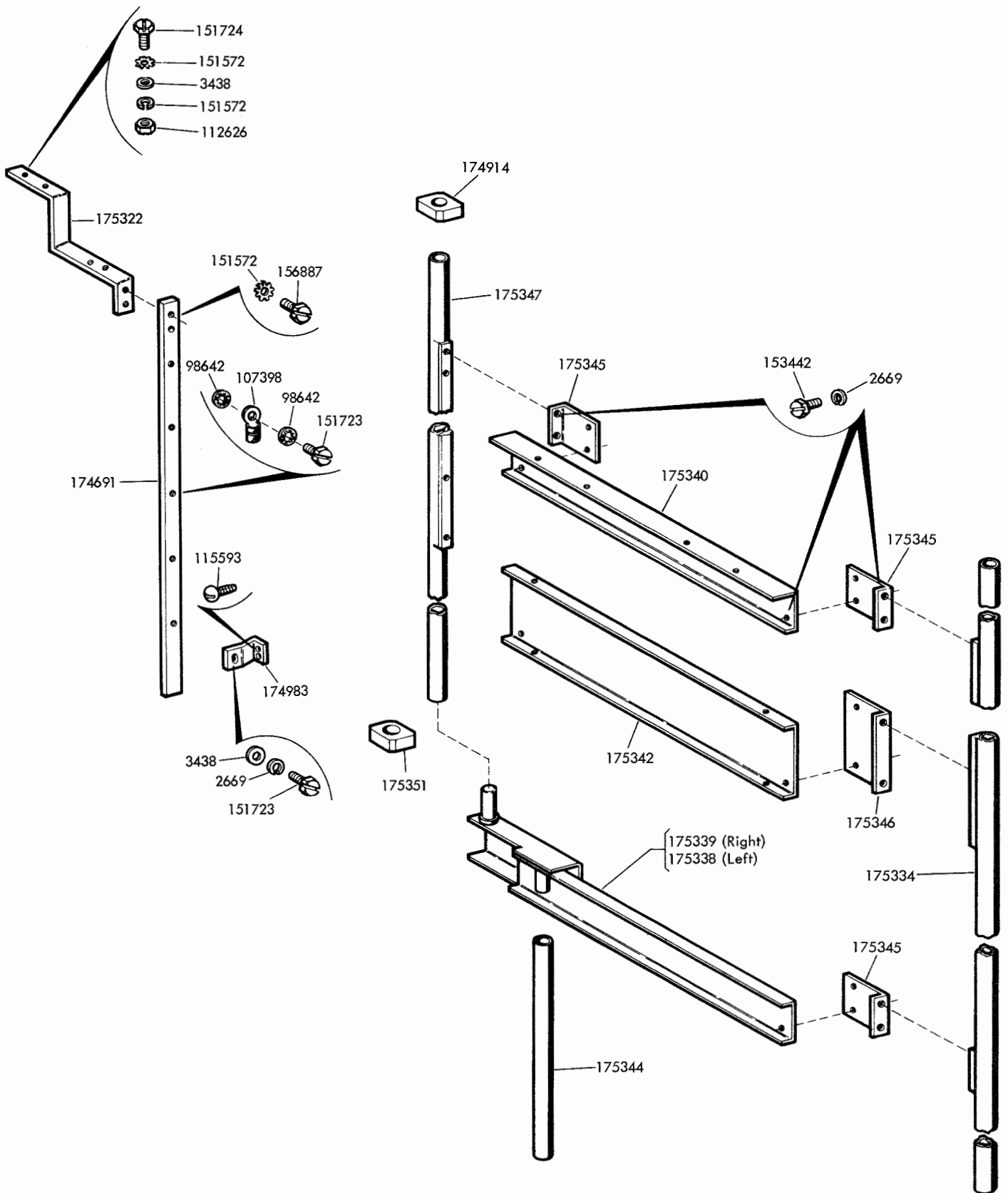
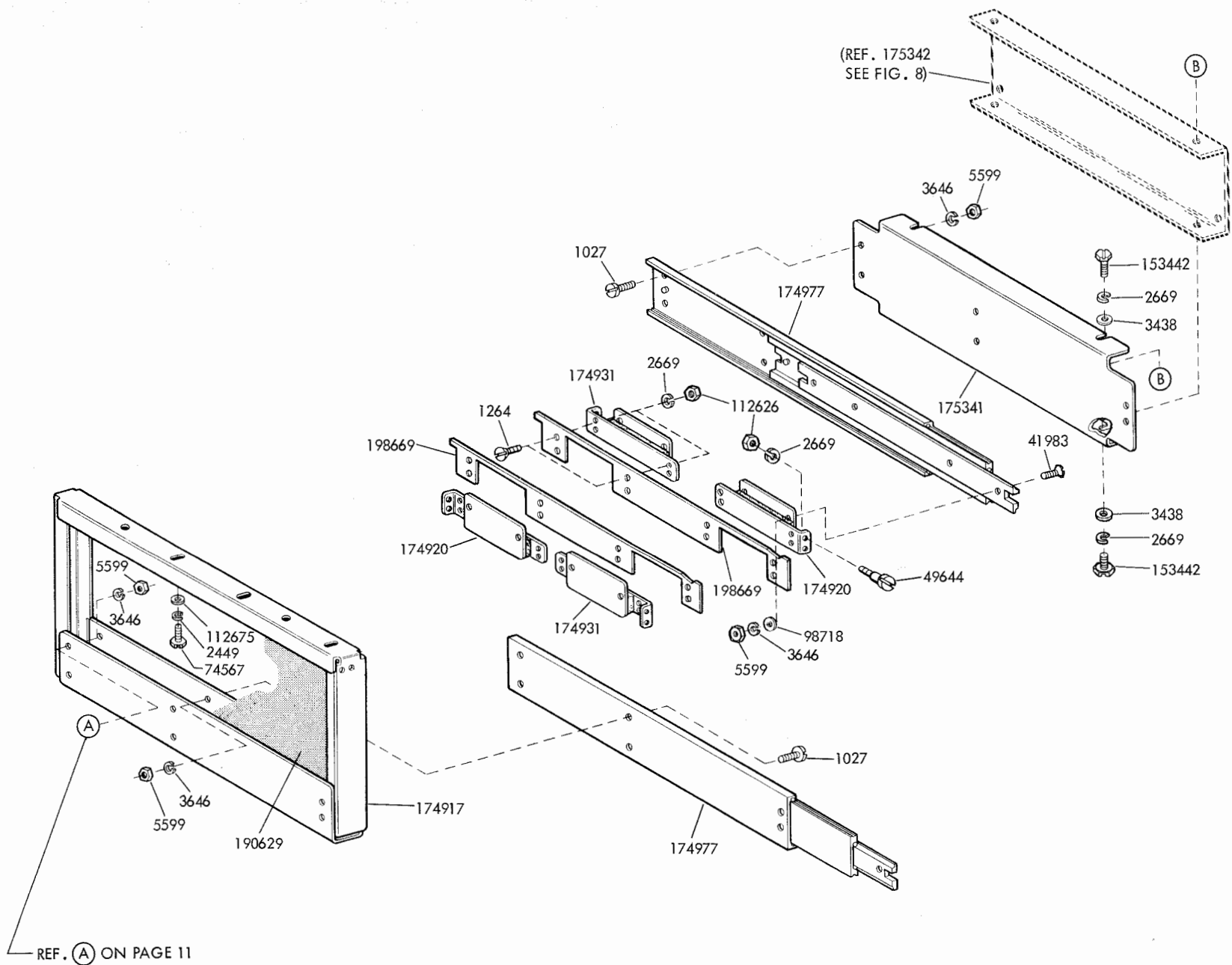


FIGURE 8. SUPPORTING POSTS, BRACKETS AND BUSS BARS

FIGURE 9. RIGHT SIDE MOUNTING SLIDES



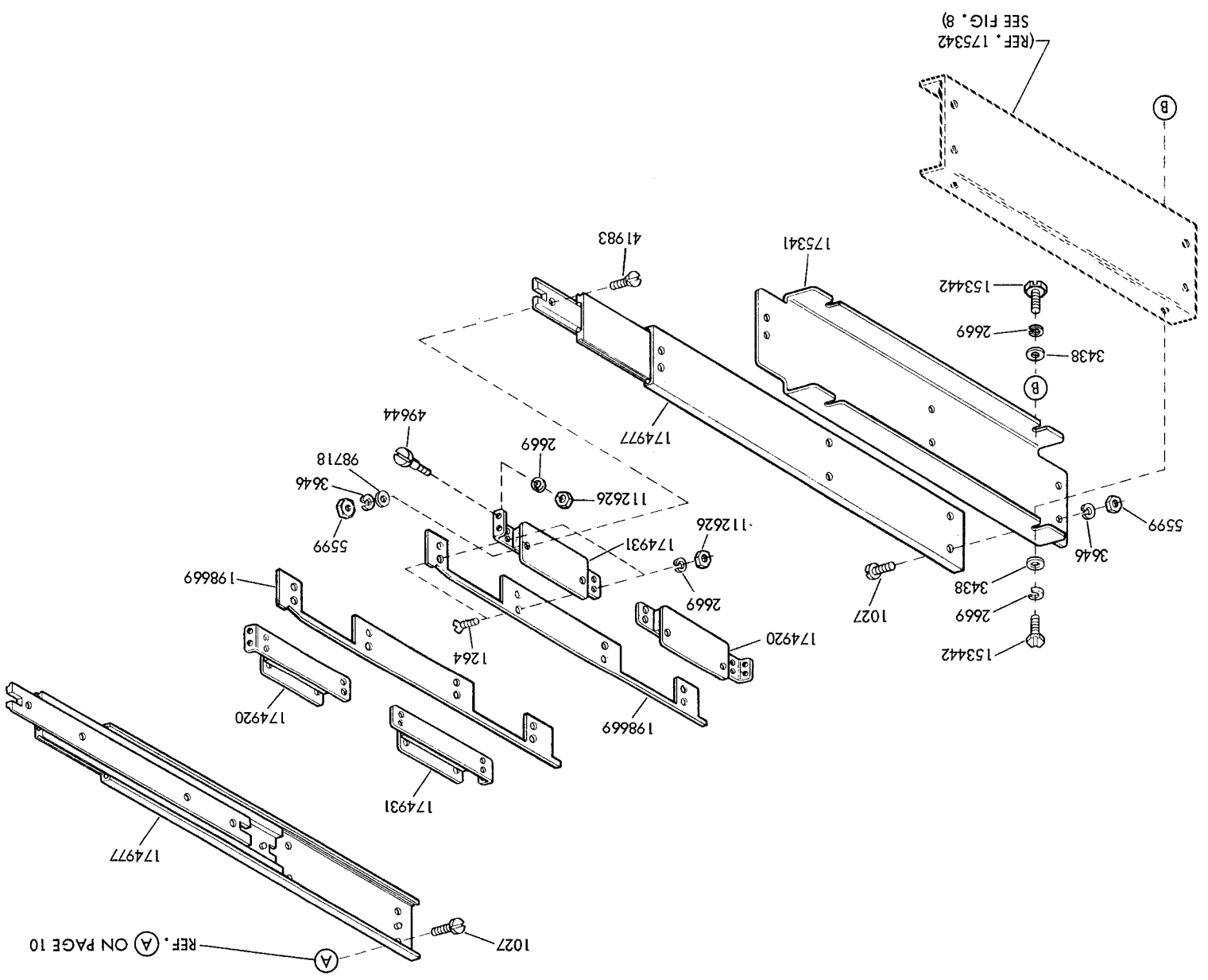
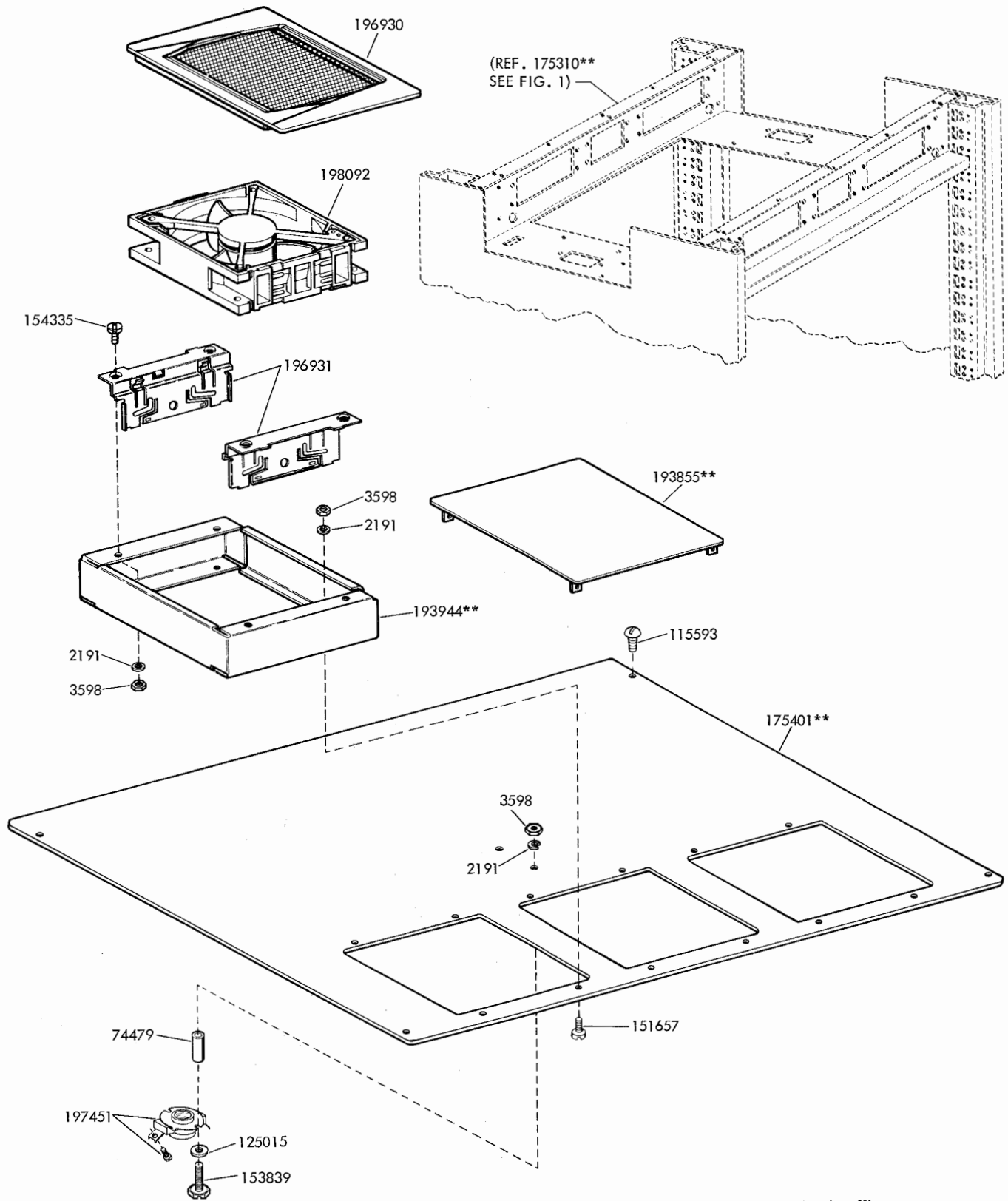


FIGURE 10. LEFT SIDE MOUNTING SLIDES



**Refer to page 1 for finish suffix

FIGURE 11. VENTILATING FAN COMPONENTS

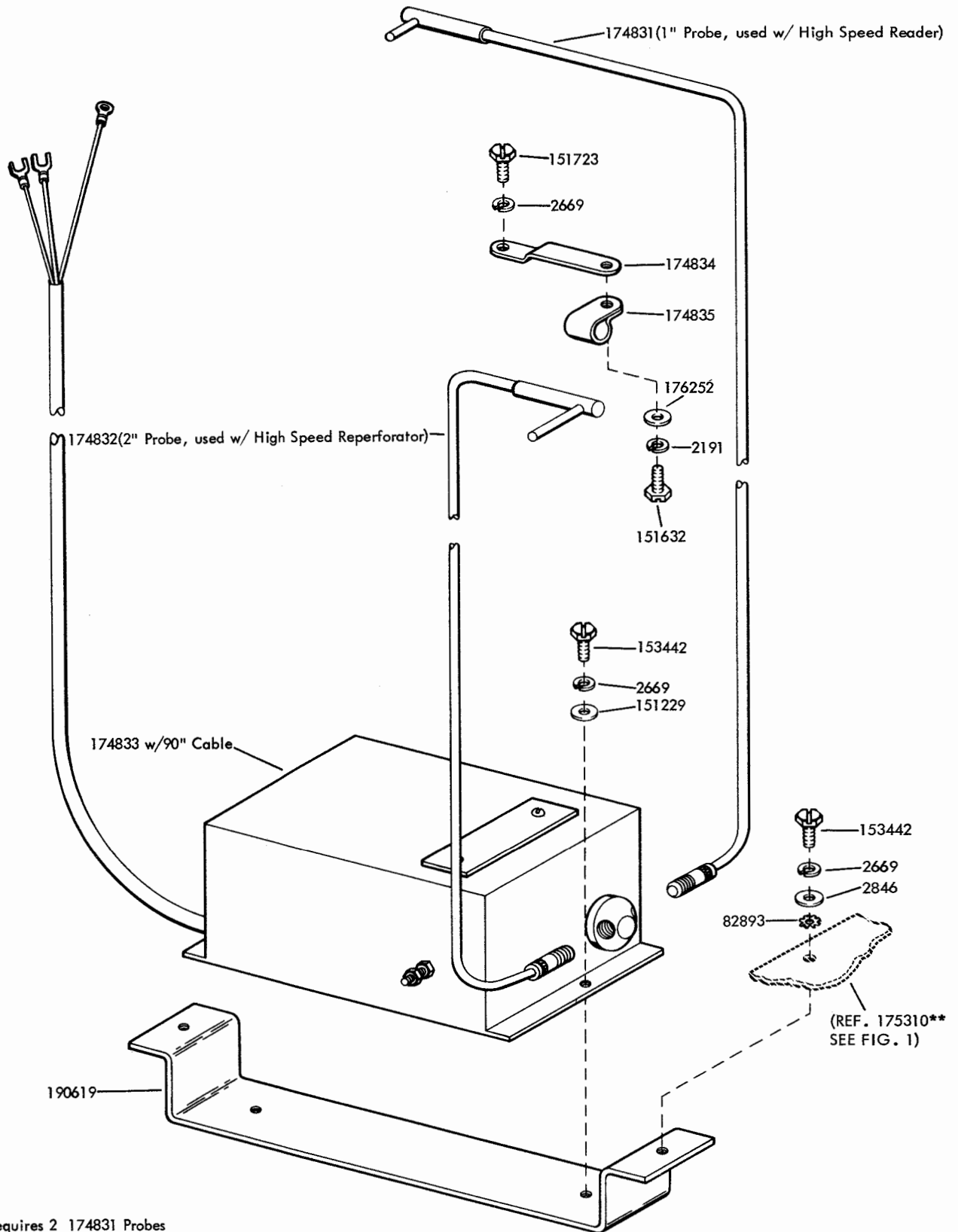


FIGURE 12. 174828, 174829 AND 174830 STATIC ELIMINATOR ASSEMBLIES

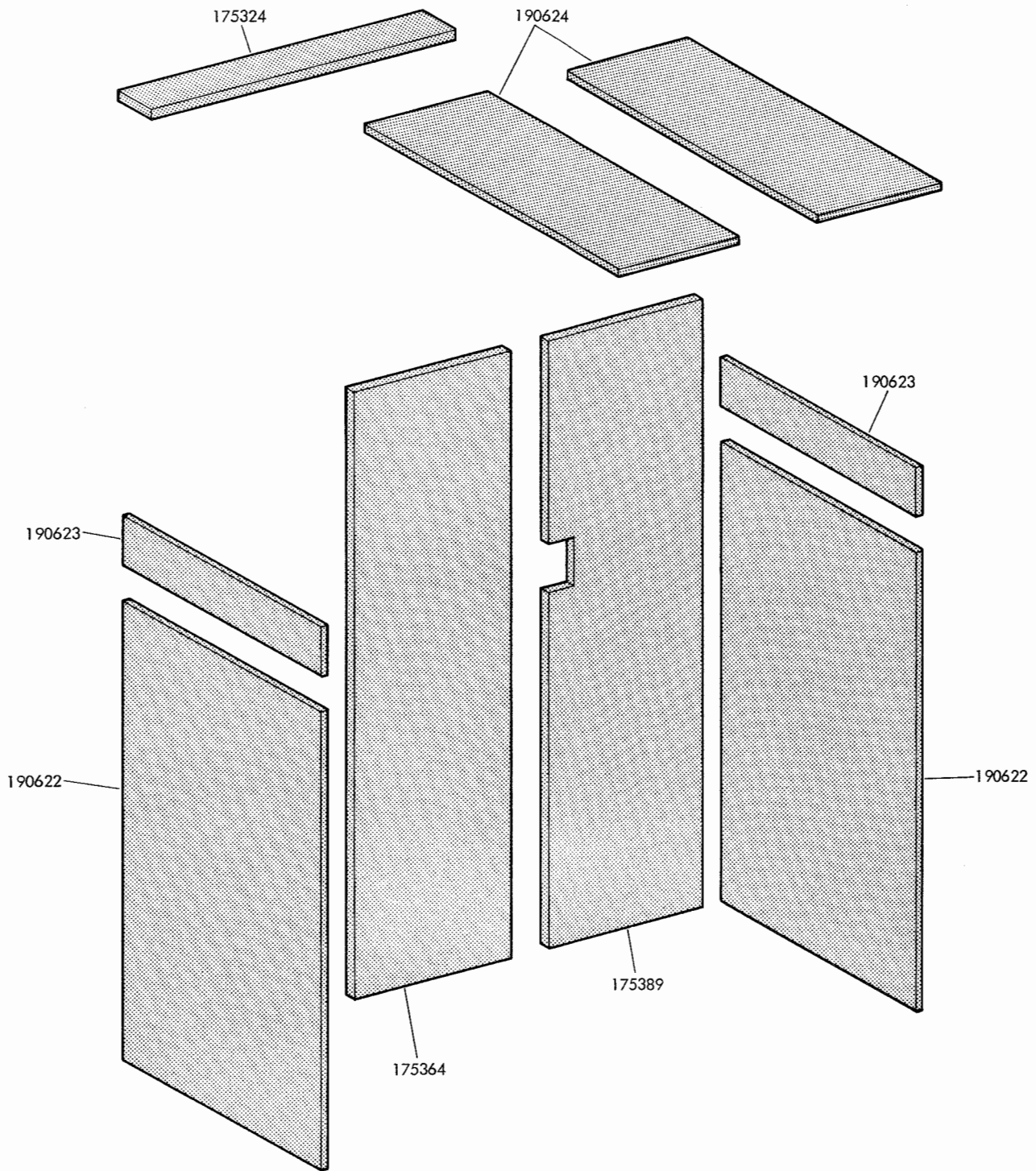


FIGURE 13. NOISE REDUCTION PADS

NUMERICAL INDEX

Part Number	Description and Page Number	Part Number	Description and Page Number	Part Number	Description and Page Number
1027	Screw (8-32 x 1/2 Flat) 10, 11	126255	Bumper, Rubber 2	171955	Connector - Red (.156 ID x .31" Lg) 4
1043	Screw (10-32 x 5/16 Rd) 3	129381	Grommet, Rubber 2	171956	Connector - Green (.180 ID x .31" Lg) 4, 5
1264	Screw (10-32 x 1/2 Flat) 10, 11	143306	Fuse (1 Amp SL-BL) 2	171957	Connector - Blue (.194 ID x .31" Lg) 4
2191	Washer, Lock 2 to 8, 12, 13	144227	Terminal, Insulated (Black) 5	171958	Connector - Tin (.219 ID x .31" Lg) 4, 5
2263	Nut (8-32 Hex) 3	144342	Filter (12" Cable) 5	171959	Connector - Blue (.261 ID x .31" Lg) 4, 5
2449	Washer, Lock 7, 8, 10	144778	Screw, Self-Tapping (#6) 2	171960	Connector - Red (.297 ID x .31" Lg) 4
2669	Washer, Lock 2 to 11, 13	145913	Connector, Receptacle (25 Pt) 5	171961	Connector - Orange (.187 ID x .25" Lg) 4
2846	Washer, Flat 13	145915	Clamp, Cable 5	171962	Connector - Tin (.199 ID x .25" Lg) 4
3438	Washer, Flat 9, 10, 11	146543	Screw Assembly 5	171963	Connector - Yellow (.207 ID x .25" Lg) 4
3598	Nut (6-40 Hex) 4, 5, 7, 12	151229	Washer, Flat 4, 5, 13	171964	Connector - Orange (.235 ID x .25" Lg) 4
3606	Nut (6-40 Hex) 5	151346	Screw (6-40 x 3/8 Fil) 5	171965	Connector - Yellow (.261 ID x .25" Lg) 4, 5
3640	Washer, Lock 5	151418	Fuse (10 Amp) 2	171966	Connector - Purple (.281 ID x .25" Lg) 4
3646	Washer, Lock 2, 6, 7, 10, 11	151442	Screw (6-40 x 1/2 Hex) 5	171967	Connector - Green (.300 ID x .25" Lg) 4
4814	Washer, Lock 3	151572	Washer, Lock 9	171968	Connector - Yellow (.312 ID x .25" Lg) 4, 5
5599	Nut (8-32 Hex) 2, 10, 11	151630	Screw (6-40 x 1/4 Hex) 3, 6, 7	171969	Connector - Orange (.344 ID x .25" Lg) 4
6032	Screw (8-32 x 7/16 Fil) 6	151631	Screw (6-40 x 5/16 Hex) 8	171970	Connector - Blue (.375 ID x .25" Lg) 4
6035	Screw (1/4-20 x 5/8 Hex) 8	151632	Screw (6-40 x 3/8 Hex) 2, 4, 5, 13	171971	Connector - Red (.405 ID x .25" Lg) 4, 5
7002	Washer, Flat 2, 4, 8	151657	Screw (6-40 x 1/4 Fil) 4, 5, 7, 12	171972	Connector - Green (.187 ID x .46" Lg) 4
25123	Screw (1/4-32 x 7/16 Hex) 8	151687	Screw (4-40 x 7/16 Fil) 2	171973	Connector - Black (.207 ID x .46" Lg) 4
34432	Washer, Flat 7	151723	Screw (10-32 x 3/8 Hex) 9, 13	171974	Connector - Red (.261 ID x .46" Lg) 4, 5
35826	Washer, Flat 3, 6	151724	Screw (10-32 x 5/8 Hex) 4, 5, 9	172275	Connector - Yellow (.156 ID x .46" Lg) 4
41983	Screw (8-32 x 5/8 Flat) 10, 11	152893	Screw (4-40 x 1/4 Hex) 5	172276	Connector - Blue (.180 ID x .46" Lg) 4
45815	Washer, Lock 2, 5, 7	153442	Screw (10-32 x 1/2 Hex) 5, 8 to 11, 13	172277	Connector - Green (.235 ID x .46" Lg) 4
49644	Screw, Shoulder (10-32) 10, 11	153537	Screw (6-40 x 9/32 Hex) 2	172278	Connector - Blue (.281 ID x .46" Lg) 4
70886	Washer, Flat 7	153817	Screw (6-40 x 3/8 Hex) 8	172279	Connector - Yellow (.312 ID x .46" Lg) 4, 5
74479	Bushing 12	153839	Screw (6-40 x 5/8 Hex) 4, 5, 12	173716	Terminal, Receptacle Type 5
74567	Screw (1/4-20 x 33/64 Hex) 10	154335	Screw (6-40 x 9/32 Fil) 12	174090	Clamp, Cable 5
82832	Washer, Lock 13	155750	Sleeve, Insulating (3/32 ID x 1/2" Lg) 4	174599	Connector, Plug (3 Pt) 5
82833	Washer, Flat 8	155751	Sleeve, Insulating (1/8 ID x 1" Lg) 4	174603	Terminal 4
88934	Shim (.016") 5	155752	Sleeve, Insulating (5/64 ID x 1/2" Lg) 5	174604	Block, Terminal 4
89234	Screw (5/16-18 x 1/2 Hex) 3	155753	Sleeve, Insulating (1/8 ID x 1/2" Lg) 4	174606	Shield 4
92260	Washer, Lock 5	155754	Sleeve, Insulating (1/16 ID x 1/2" Lg) 4	174633	Bulb, Red (7-1/2 W - 125 V) 7
92556	Receptacle 7	155755	Sleeve, Insulating (11/64 ID x 5/8" Lg) 5	174638	Connector, Plug (3 Pt) 5
93130	Screw (1/4-20 x 1/2 Hex) 2, 7	156448	Bushing 4	174641	Connector, Receptacle (50 Pt) 5
93191	Screw (4-40 x 5/16 Flat) 6	156887	Screw (10-32 x 9/16 Hex) 9	174678	Nut, Speed (6-32) 2
93969	Screw (4-40 x 3/16 Flat) 8	161705	Strike, Fastener 6	174691	Bar, Buss 9
93985	Washer, Lock 3	161708	Latch, Magnetic 2, 8	174698	Bulb, Orange (7-1/2 W - 125 V) 7
98642	Washer, Lock 9	161747	Plate, Nut 6	174721	Connector, Plug Type (30 Pt) 4
98718	Washer, Flat 6, 10, 11	163958	Washer, Flat 6	174722	Connector, Plug Type (50 Pt) 4
101633	Washer, Flat 2, 7	165259	Screw (6-32 x 3/8 Rd) 4		
107364	Screw (6-32 x 3/8 Fil) 2	165294	Guide, Wire 4		
107398	Terminal 9	170631	Holder, Fuse 2		
108103	Washer, Flat 2	171568	Socket (11Pt) 5		
108122	Screw (10-32 Spl) 3	171643	Connector, Receptacle (3 Pt) 4		
110743	Washer, Lock 2, 8	171657	Clamp, Cable 5		
112626	Nut (10-32 Hex) 9, 10, 11	171671	Terminal, Insulated 5		
112675	Washer, Flat 10	171950	Connector - Orange (.090 ID x .31" Lg) 4		
115537	Screw (8-32 x 2-1/4 Rd) 2	171951	Connector - Red (.109 ID x .31" Lg) 4		
115593	Screw, Self-Tapping (10-32) 2, 3, 6 to 9, 12	171952	Connector - Green (.124 ID x .31" Lg) 4		
118578	Clamp, Cable 4, 5	171953	Connector - Orange (.134 ID x .31" Lg) 4		
119639**	Button, Plug 2	171954	Connector - Blue (.150 ID x .31" Lg) 4		
121021	Screw (8-32 x 1/2 Hex) 7				
121114	Washer, Flat 3				
121244	Clamp, Cable (1/4" ID) 5				
121247	Clamp, Cable (7/16" ID) 5				
121248	Clamp, Cable (1/2" ID) 5				
124973	Washer, Flat 5				
125002	Screw (8-32 x 3/8 Flat) 3				
125015	Washer, Flat 2, 4, 12				
125171	Screw (10-32 x 1/2 Flat) 3				
125205	Screw (6-40 x 7/16 Fil) 4				
125802	Washer, Flat 2, 8				
126250	Screw (8-32 x 1/4 Fil) 6				

NUMERICAL INDEX

Part Number	Description and Page Number	Part Number	Description and Page Number	Part Number	Description and Page Number
174723	Connector, Plug Type (80 Pt) 4	175254	Plate, Striker 3, 6	175389	Pad, Left Rear Door 14
174738	Insulator, White 4	175255	Plate, Mounting 2	175390	Channel, Duct 2
174739	Insulator, White 4	175310**	Cabinet 2	175391	Plate, Cover 2
174743	Terminal, Plug Type 4	175312**	Base 3	175392**	Plate, Side 2
174750	Key Assembly 4	175314**	Door Assembly 3	175393	Bracket, Angle 2
174752	Post 4	175315**	Door Assembly 3	175401**	Plate, Fan Mounting 12
174757	Clamp, Cable (5/16-7/16" ID) 4	175316	Bracket, Hinge - Upper Left 3	175402	Cover, Dust 8
174758	Clamp, Cable (7/16-5/8" ID) 4	175317	Hinge, Top - Left 3	175403	Clamp 2
174759	Clamp, Cable (5/8-3/4" ID) 4	175318**	Door, Right Rear 3	175404	Cover w/Clips 8
174760	Clamp, Cable (3/4-7/8" ID) 4	175319**	Door, Left Rear 3	176252	Washer, Flat 13
174775	Plate, Connector 4	175321	Plate w/Pin, Hinge - Lower Left 3	177387**	Bracket, Latch 8
174785	Terminal, Plug Type 4	175322	Bar, Angle 9	190050	Cable Assembly 5
174786	Terminal, Plug Type 5	175323	Bracket, Upper Rear 2	190312	Cable Assembly 5
174805	Bracket, Cable Mounting 5	175324	Pad 14	190313	Board, Terminal (125 Pt) 5
174811**	Bracket, Mounting 5	175325	Nut, Retainer ("U" Type) 2, 8	190320	Board, Terminal (150 Pt) 5
174813	Plate, Caution 3	175326	Washer, Lock 8	190325	Connector, Receptacle (50 Pt) 5
174827	Jumper 4	175327	Bracket, Fuse 2	190333	Latch Assembly 5
174828	Eliminator Assembly 13	175328**	Panel, Cover - Rear 7	190335	Bracket, Mounting 5
174829	Eliminator Assembly 13	175329**	Grille 3	190336	Clamp, Cable 5
174830	Eliminator Assembly 13	175333	Bracket, Mounting 7	190619	Bracket, Mounting 13
174831	Inductor 13	175334	Post, Front Corner 9	190621	Filter, Air (3/8") 3
174832	Inductor 13	175337	Bracket, Latch 7	190622	Pad, Side Panel 14
174833	Power Unit 13	175338	Post, Support - Left 9	190623	Pad, Side Panel 14
174834	Bracket 13	175339	Post, Support - Right 9	190624	Pad, Top 14
174835	Clamp, Cable (9/16" ID) 13	175340	Bracket, Support 9	190629	Pad, Strut 10
174836	Bracket 2	175341	Bracket, Slide 10, 11	192177	Terminal, Receptacle Type 5
174903	Bracket, Right Hinge 3	175342	Bracket, Slide Support 9	193074	Bracket, Mounting 4
174904	Hinge, Bottom 3	175343	Hanger, Shelf 8	193142	Cable Assembly 4
174905	Hinge, Top 3	175344	Post 9	193143	Cable Assembly 4
174911	Bracket, Shelf 8	175345	Bracket 9	193144	Cable Assembly 4
174914	Bumper, Rubber 9	175346	Bracket 9	193146	Cable Assembly 4
174917	Strut 10	175347	Post, Rear Corner 9	193227	Plate Assembly, Connector (50 and 30 Pt) 4
174920	Mount, Right Shear 10, 11	175351	Isolator 9	193855**	Cover w/Clips 12
174926**	Plate, Cover 7	175352**	Grid, Module 7	193944**	Extension, Fan Mounting 12
174931	Mount, Left Shear 10, 11	175353	Shelf, Module 8	196930	Grille 12
174944	Block, Terminal 4	175354**	Door Assembly - Left 6	196931	Clip 12
174952	Insulator (1-8) 4	175355**	Door, Front - Left 6	197450	Relay (365 Ohm) 5
174977	Slide 10, 11	175356	Window - Right 6	197451	Thermostat (10 Amp) 12
174983	Bracket 9	175357**	Bracket, Clip 6	197580	Cable Assembly 4
174984	Plate w/Pin, Hinge 3	175358**	Door Assembly - Right 6	197581	Cable Assembly 4
174986	Plate, Nut 3	175359**	Door, Front - Right 6	198092	Fan 12
174992	Hinge, Left Top 6	175360**	Plate, Filler 2	198669	Plate, Mounting 10, 11
174993	Hinge, Right Top 6	175361**	Bracket, Latch 8	199264**	Plate, Name (Teletype) 7
175055**	Plate, Blank 7	175363	Window - Left 6		
175056	Strip, Mounting 7	175364	Pad, Right Rear Door 14		
		175388**	Bracket, Clip 6		