
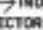

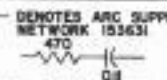
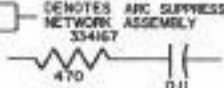


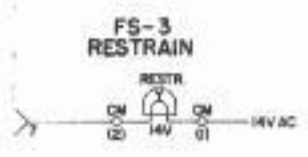
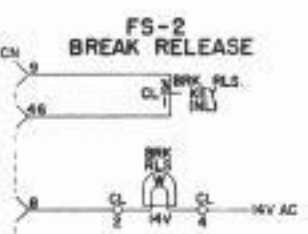
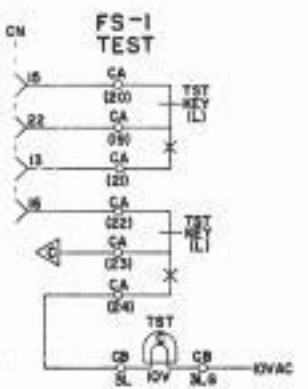
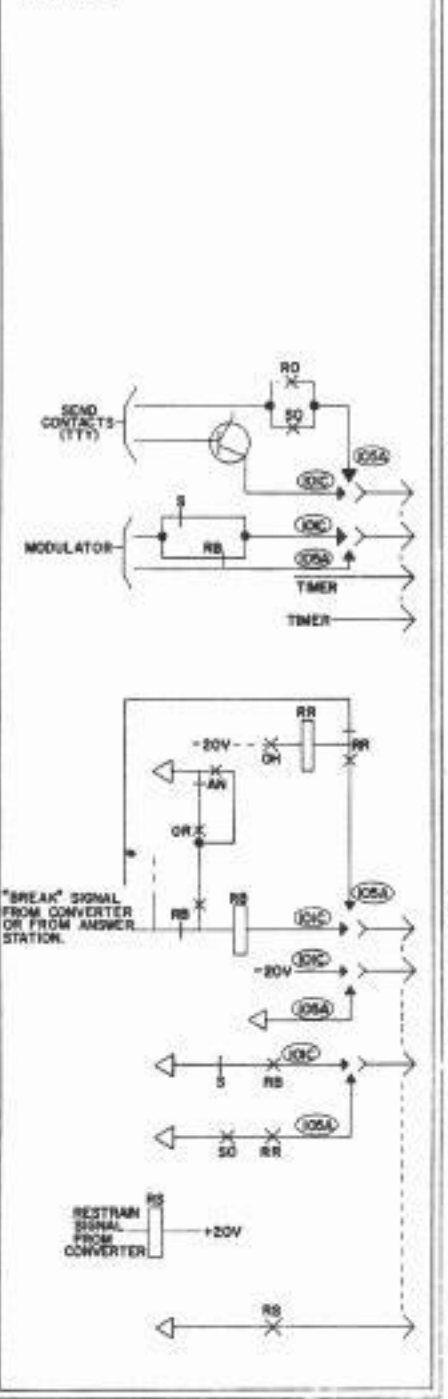
NOTE:
REVISION INFORMATION MUST ALSO BE
REFLECTED ON THE ISSUE CONTROL REC-
ORD, WHICH IS A PART OF THIS DRAWING.

7882 WD

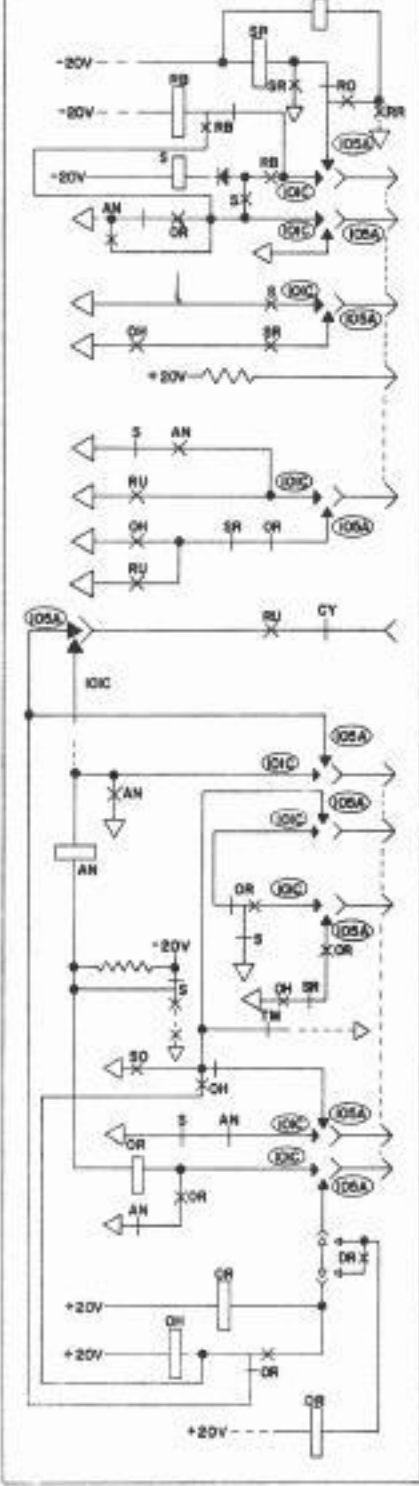
REVISIONS		
ISSUE	DATE	AUTH. NO.
1	2-22-66	17476-R
2	12-16-68	96463
3	2-18-69	96829

- NO. NOTES
- VOLTAGES ARE DC UNLESS OTHERWISE SPECIFIED.
 - TERMINALS DESIGNATIONS ENCLOSED IN PARENTHESES ARE FOR REFERENCE AND ARE NOT MARKED ON COMPONENT.
 - RESISTANCE VALUES ARE IN OHMS UNLESS OTHERWISE SPECIFIED.
 - CAPACITANCE VALUES ARE IN MICRO-FARADS UNLESS OTHERWISE SPECIFIED.
 -  INDICATES FEMALE AND
 INDICATES MALE TERMINAL ON CONNECTOR.
 -  INDICATES COMMON RETURN TO THE POWER SUPPLY - NOT RELATED TO CHASSIS POTENTIAL.
 -  DENOTES ARC SUPPRESSION NETWORK 153631
470
0.01
 -  DENOTES ARC SUPPRESSION NETWORK ASSEMBLY 334467
470
0.01
SOME UNITS DO NOT HAVE THIS NETWORK ASSEMBLY.
 - AUTOMATIC READER CONTROL FEATURES ARE INCORPORATED IN MODEL 332-K3/1-5 33AA-K3/1-5 ABR SETS.

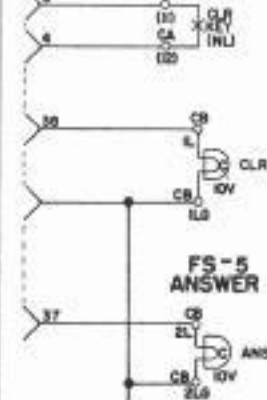
DATA SET
101C OR 105A



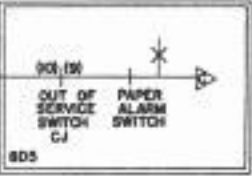
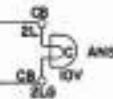
DATA SET
101C OR 105A



FS-4 CLEAR



FS-5 ANSWER



FS-6 ORIGINATE



SEE ISSUE CONTROL RECORD FOR COMPLETE LIST OF SHEETS COMPRISING THIS NO. SHEET 51

SCHEMATIC WIRING DIAGRAM FOR MODEL 33 AUTOMATIC SEND-RECEIVE AND KEYBOARD SEND-RECEIVE SETS FOR TWX

SHEET 51

APPROVALS

D AND R	E OF 51
---------	---------

E-NUMBER

PROJ. NO. 7882WD-51

DATE 10-27-65

RD. FILE NO. 9-A182AA

DRAWN R.H.S. CHD/jlc

ENGR. S.C.W. APPD. [Signature]

TELETYPE CORPORATION

7882 WD

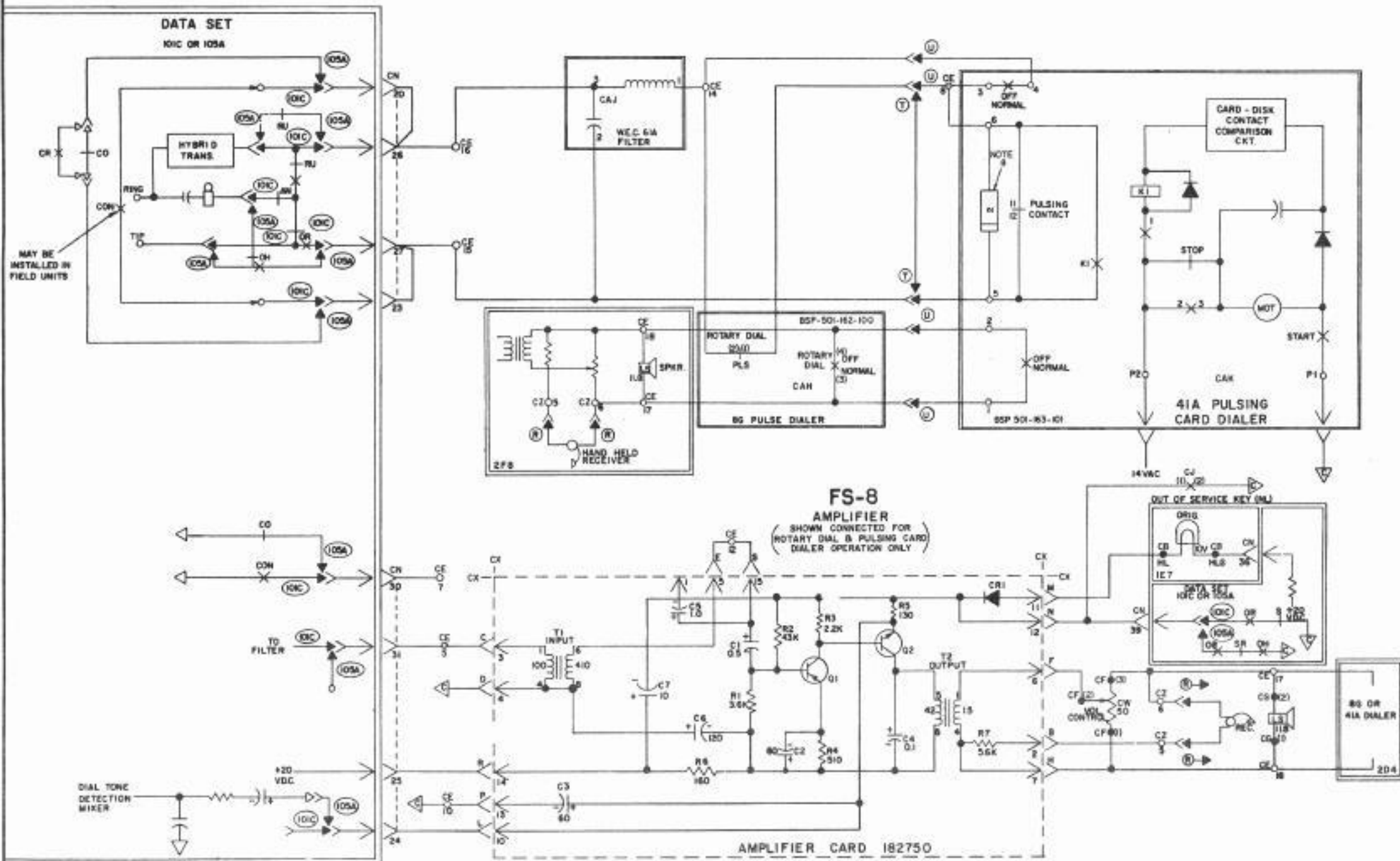
REVISIONS

ISSUE	DATE	AUTH. NO.
1	7-22-66	17475-R
2	12-8-66	96485
3	5-7-70	8

FS-7

ROTARY DIAL & PULSING CARD DIALER

① SHOWS CONNECTIONS WITH ROTARY DIAL ONLY.
② SHOWS CONNECTIONS WITH ROTARY DIAL AND PULSING
CARD DIALER.



SEE ISSUE CONTROL RECORD FOR COM-
PLETE LIST OF SHEETS COMPRISING THIS
W.D. SHEET B2

MODEL 33
AUTOMATIC SEND-RECEIVE AND
KEYBOARD SEND-RECEIVE SETS
FOR TWX

APPROVALS

D AND R *[Signature]* E OF R *[Signature]*

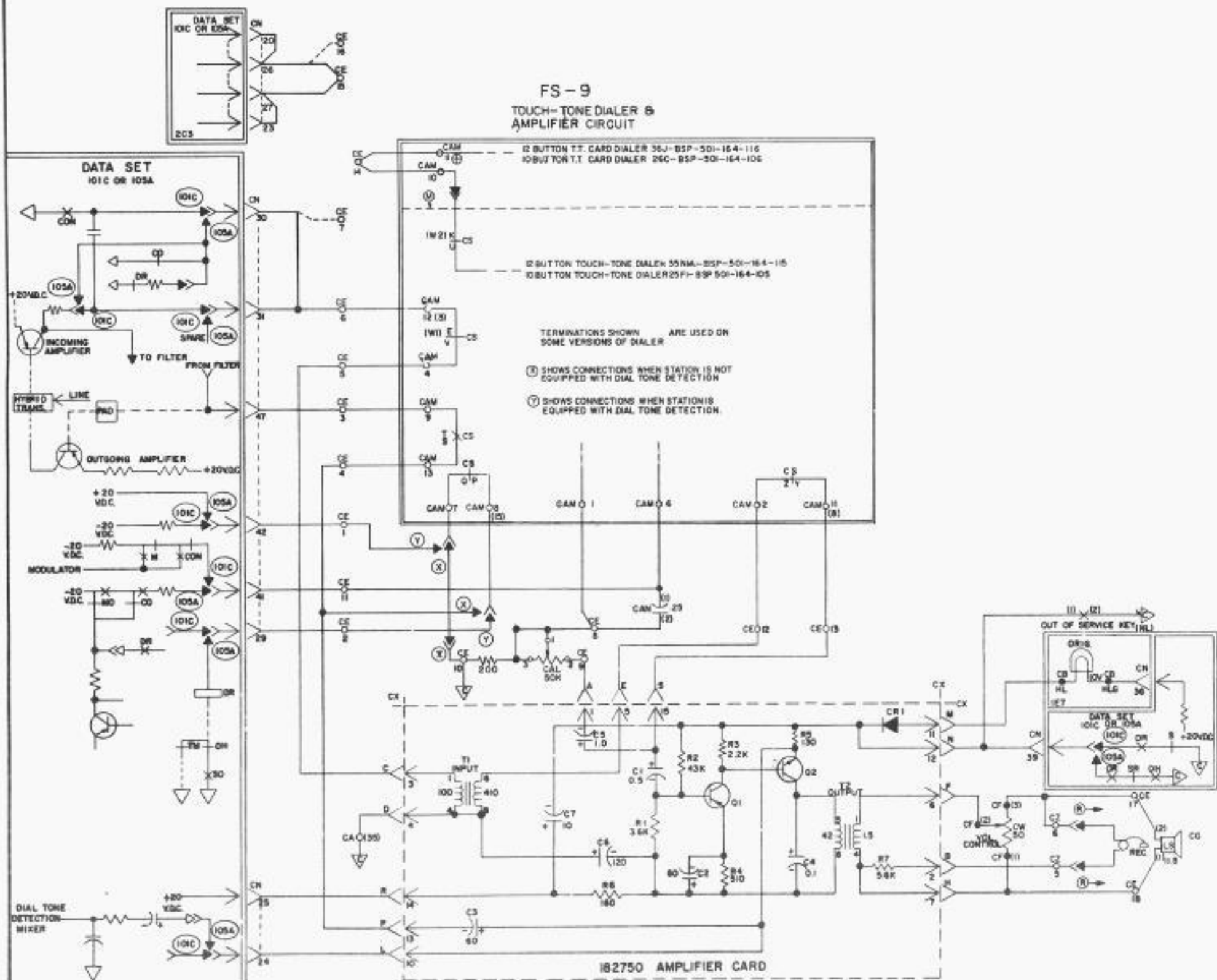
E-NUMBER
PROD. NO. 7882 WD-B2
DATE 10-27-65
P.D. FILE NO. 9-A152AA
DRAWN J.A.P. CHKD. *[Signature]*
ENGR. G.E.W. APPD. *[Signature]*

TELETYPE CORPORATION

REVISIONS

ISSUE	DATE	AUTH. NO.
1	2-22-56	17476-R
2	5-19-59	99164
3	5-7-70	8

FS-9
TOUCH-TONE DIALER &
AMPLIFIER CIRCUIT



SEE ISSUE CONTROL RECORD FOR COMPLETE LIST OF SHEETS COMPRISING THIS RD.

SHEET 83

MODEL 33
AUTOMATIC SEND-RECEIVE AND
KEYBOARD SEND-RECEIVE SETS
FOR TWX

APPROVALS

D AND R E OF M
[Signatures]

E-NUMBER

PROD. NO. 7882 WD-83

DATE 10-27-80

P.S. FILE NO. 6-A122AA

DRAWN J.A.P. [Signature]

ENGR. S.E.W. APPR. [Signature]

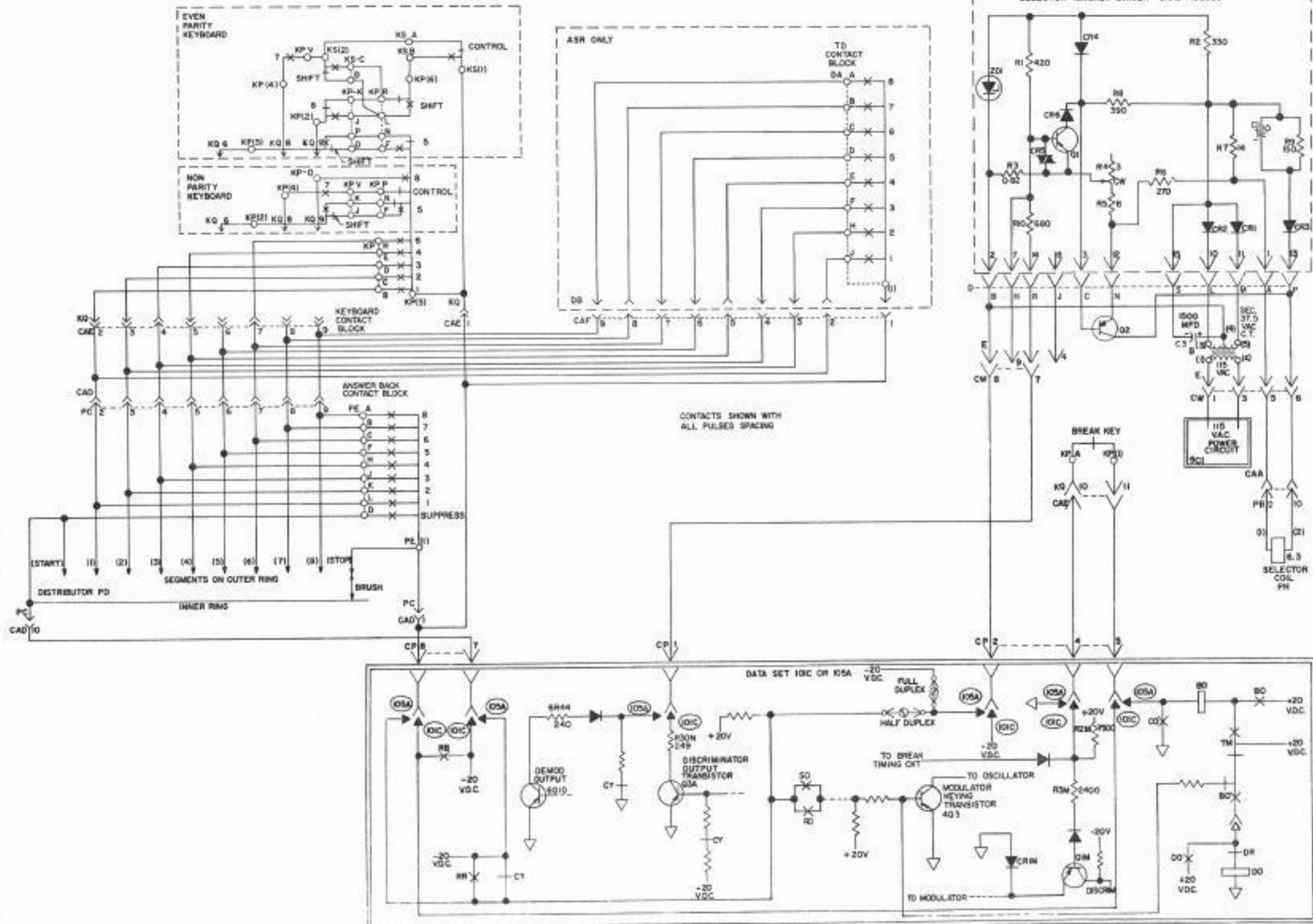
TELETYPE
CORPORATION

FS-10 SIGNAL GENERATORS AND SELECTOR MAGNET DRIVER

NOTE:
REVISION INFORMATION MUST ALSO BE
REFLECTED ON THE ISSUE CONTROL REC-
ORD WHICH IS A PART OF THIS DRAWING.

7882 WD

REVISIONS		
ISSUE	DATE	AUTH. NO.
1	2-22-66	17478-R
2	5-7-68	95523-4



CONTACTS SHOWN WITH ALL PULSER SPACING

SEE ISSUE CONTROL RECORD FOR COMPLETE LIST OF SHEETS COMPRISING THIS WORK SHEET 34

MODEL 33
AUTOMATIC SEND-RECEIVE AND
KEYBOARD SEND-RECEIVE SETS
FOR TWX

APPROVALS

D AND R	E OF M

E-NUMBER
 PROD. NO. 7882 WD-B-4
 DATE 10-12-65
 P.D. FILE NO. 6-A152AA
 DRAWN R.H.B. CHKD J.L.L.
 ENGD. G.C.W. APPD. J.L.L.

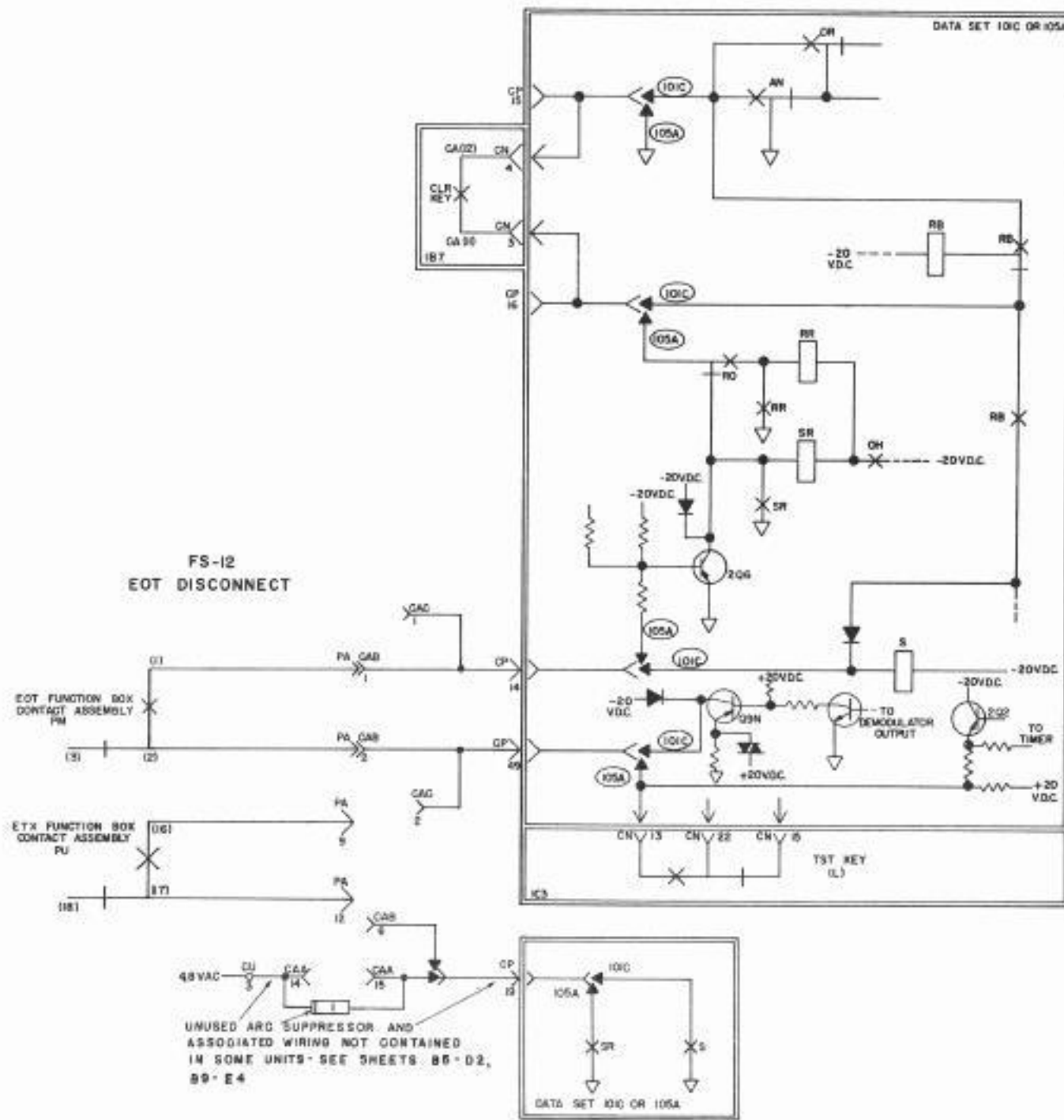
TELETYPE CORPORATION

7882 WD

REVISIONS

ISSUE	DATE	AUTH. NO.
1	2-22-66	17476-R
2	11-4-66	91413
3	8-10-68	95947
4	1-27-69	96776

NOTE: REVISION INFORMATION MUST ALSO BE REFLECTED ON THE ISSUE CONTROL RECORD AND BECOME A PART OF THE DRAWING.



SEE ISSUE CONTROL RECORD FOR COMPLETE LIST OF SHEETS COMPRISING THIS SHEET 86

MODEL 33
AUTOMATIC SEND-RECEIVE AND
KEYBOARD SEND-RECEIVE SETS
FOR TWX

APPROVALS

D AND R *[Signature]* E OF M *[Signature]*

E-NUMBER

PROD. NO. 7882 WD - 86

DATE 10-5-65

R.D. FILE NO. G-A1524A

DRAWN R.H.G. CHND. J.R.

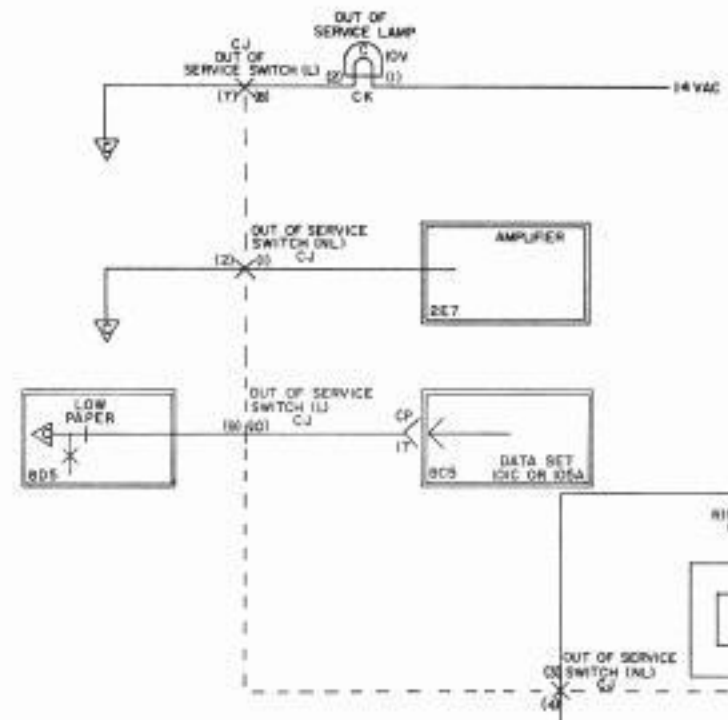
EMOD. G.W. APPD. *[Signature]*

TELETYPE CORPORATION

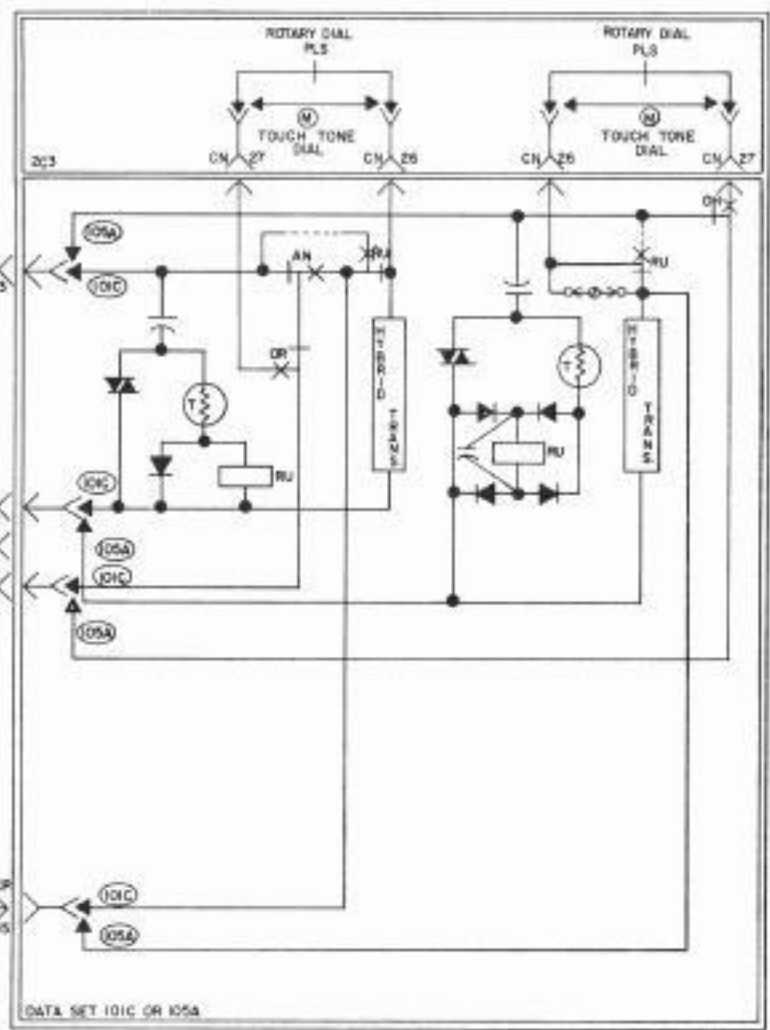
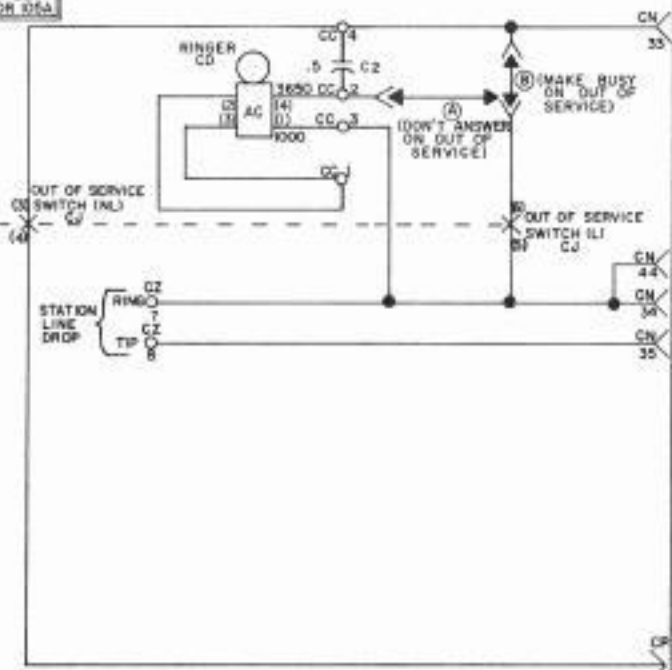
NOTE:
REVISION INFORMATION MUST
ALSO BE REFLECTED ON THE
ISSUE CONTROL RECORD WHICH
IS A PART OF THIS DRAWING.

7882 WD		
REVISIONS		
ISSUE	DATE	AUTH. NO.
1	2-22-65	174 TG-R

FS-13 OUT OF SERVICE



FS-14 RINGER CIRCUIT & OFF HOOK CIRCUIT



OUT OF SERVICE IS A THREE POSITION TWIST UNIT.
NORMAL - AS SHOWN
LOCKING - CCW TWIST FROM NORMAL
NON-LOCKING - CW TWIST FROM NORMAL.

SEE ISSUE CONTROL RECORD FOR COMPLETE LIST OF SHEETS COMPRISING THIS WD. SHEET B7

MODEL 35
AUTOMATIC SEND-RECEIVE AND
KEYBOARD SEND-RECEIVE SETS
FOR TWX

APPROVALS	
D AND R <i>A</i>	E OF M <i>67</i>
E-NUMBER	
PROD. NO. 7882 WD-B7	
DATE 10-26-65	
P.D. FILE NO. G-A152AA	
DRAWN R.H.S.	CHKD. J.E.
ENGR. G.E.W.	APPR. J.E.

TELETYPE CORPORATION
7882 WD

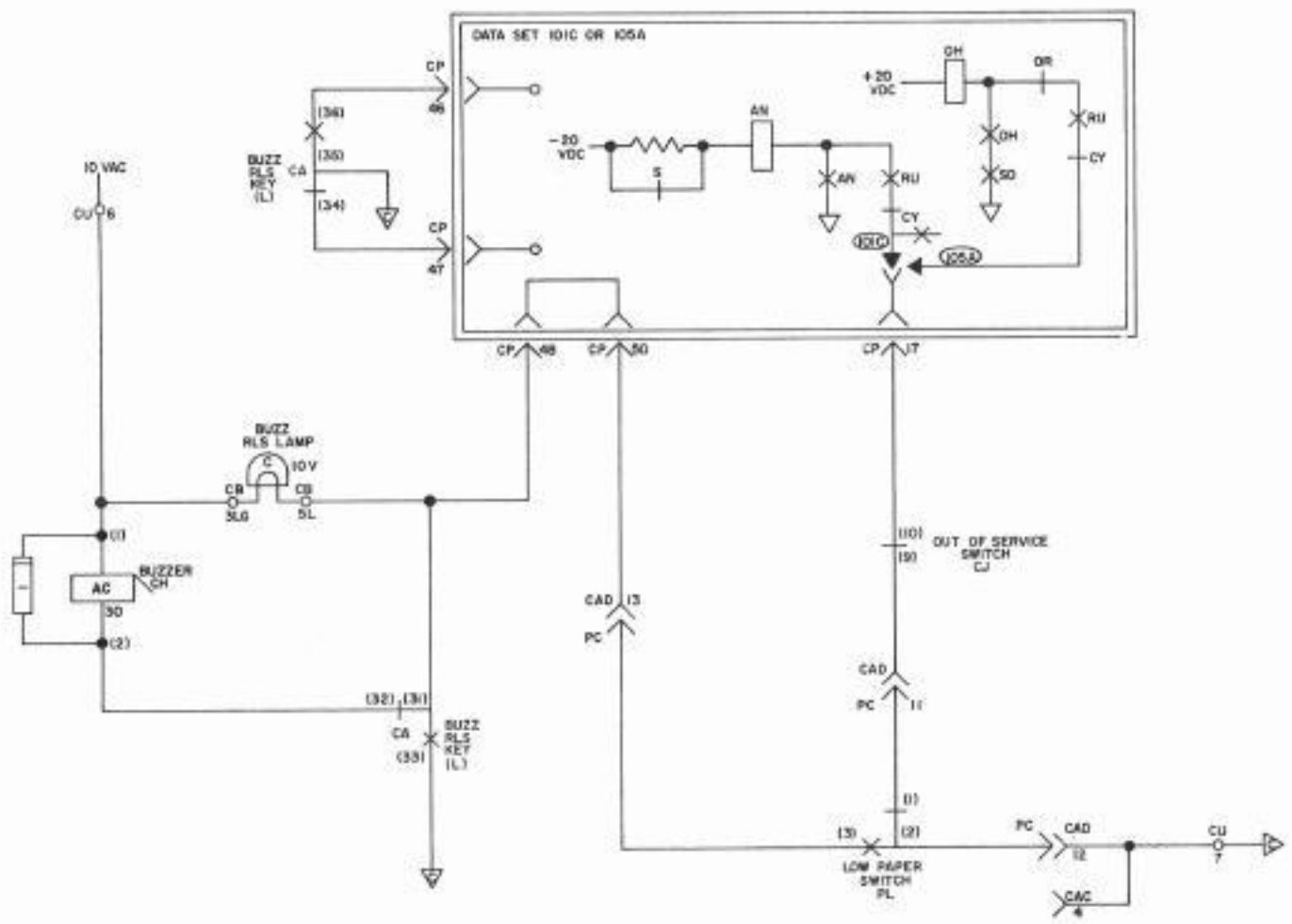
NOTE:
REVISION INFORMATION MUST
ALSO BE REFLECTED ON THE
ISSUE CONTROL RECORD, WHICH
IS A PART OF THIS DRAWING.

7882 WD

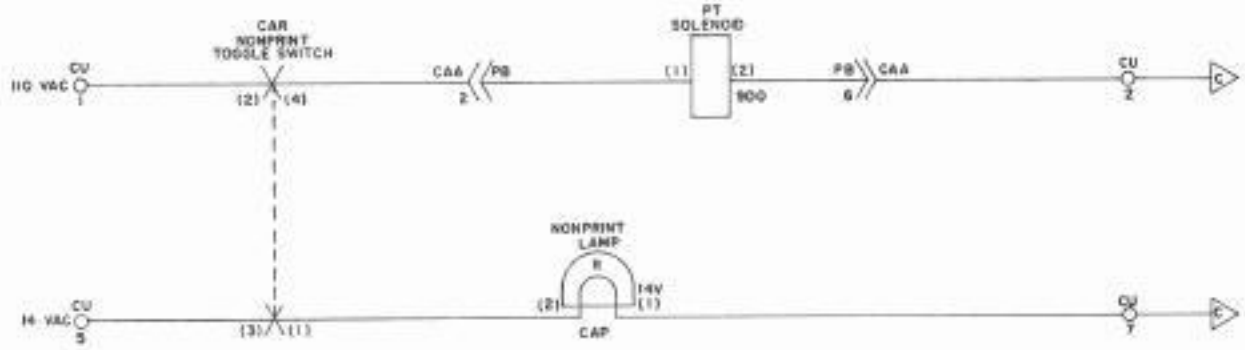
REVISIONS

ISSUE	DATE	AUTH. NO.
1	2-22-65	17476-R
2	5-7-65	89182

FS-15
PAPER ALARM



FS-17
PRINT-NONPRINT OPTION
(PRINT IN OFF CONDITION)



SEE ISSUE CONTROL RECORD FOR COMPLETE LIST OF SHEETS COMPRISING THIS WD. SHEET B5

MODEL 33
AUTOMATIC SEND-RECEIVE AND
KEYBOARD SEND-RECEIVE SETS
FOR TWX

APPROVALS

D AND R <i>DR</i>	E OF M <i>EM</i>
----------------------	---------------------

E-NUMBER

PROD. NO. 7882 WD-86

DATE 10-29-65

R.D. FILE NO. 9-A-52AA

DRAWN R.S.S. CHKD. *file*

EMD. C.E.W. APPD.

TELETYPE
CORPORATION

7882 WD

SEE SHEET B1 FOR NOTES

FS-16 POWER CIRCUITS

NOTE
REVISION INFORMATION MUST ALSO BE
REFLECTED ON THE ISSUE CONTROL REC-
ORD. WHICH IS A PART OF THIS DRAWING.

7882 WD

REVISIONS

ISSUE	DATE	AUTH. NO.
1	2-22-66	17476-1
2	3-29-66	90790
3	11-4-66	91413
4	12-8-66	92993-2
5	1-27-69	96776
6	9-19-69	99187
7	2-10-70	99857-2

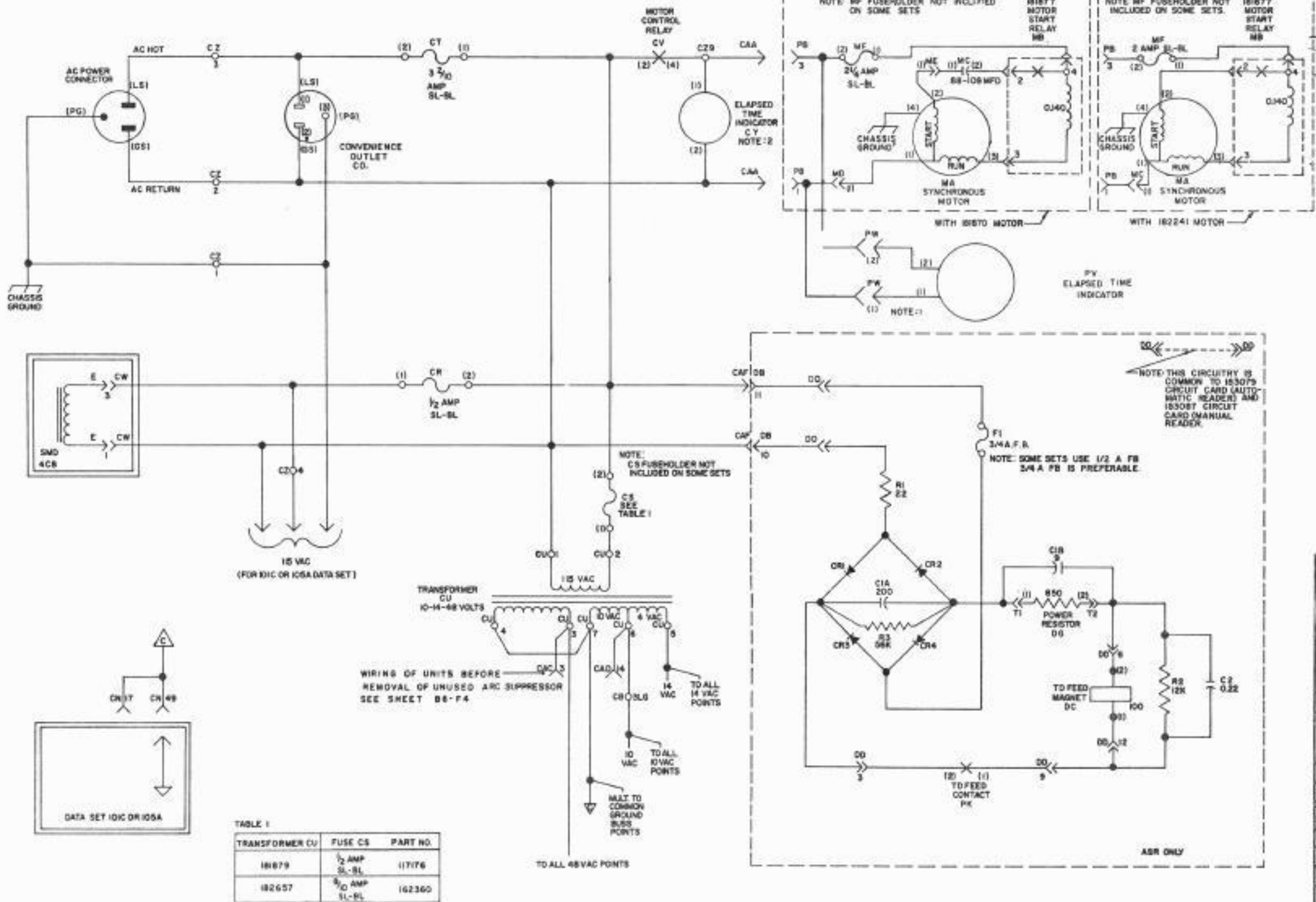


TABLE 1

TRANSFORMER CU	FUSE C5	PART NO.
181679	1/2 AMP SL-BL	117176
182657	3/10 AMP SL-BL	162360

SEE ISSUE CONTROL RECORD FOR COMPLETE LIST OF SHEETS COMPRISING THIS W.D. SHEET B9

MODEL 33
AUTOMATIC SEND-RECEIVE AND
KEYBOARD SEND-RECEIVE SETS
FOR TWX

APPROVALS

D AND R E OF M
[Signature]

E-NUMBER
PROG. NO. 7882 WD-B9
DATE 10-28-65
R.D. FILE NO. 6-A152AA
DRAWN T.L.S. CHKD.
ENGR. G.E.W. APPD.

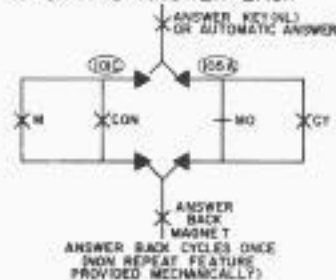
TELETYPE CORPORATION
7882 WD

REVISIONS

ISSUE	DATE	AUTH. NO.
1	2-22-66	17476-R

SEE SECTION INSTRUCTIONS AND ALSO SEE REVISIONS LIST ON THE CODE CONTROL NO. 100 WHICH IS PART OF THIS DRAWING.

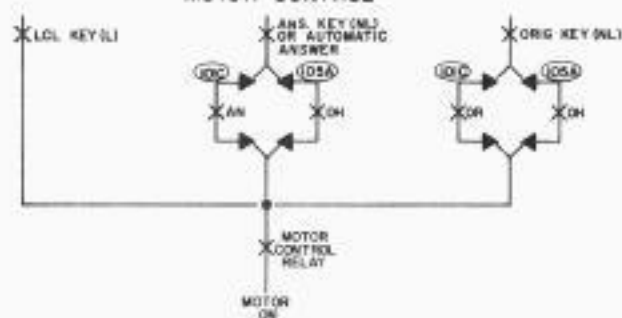
SC-1
AUTOMATIC ANSWER BACK



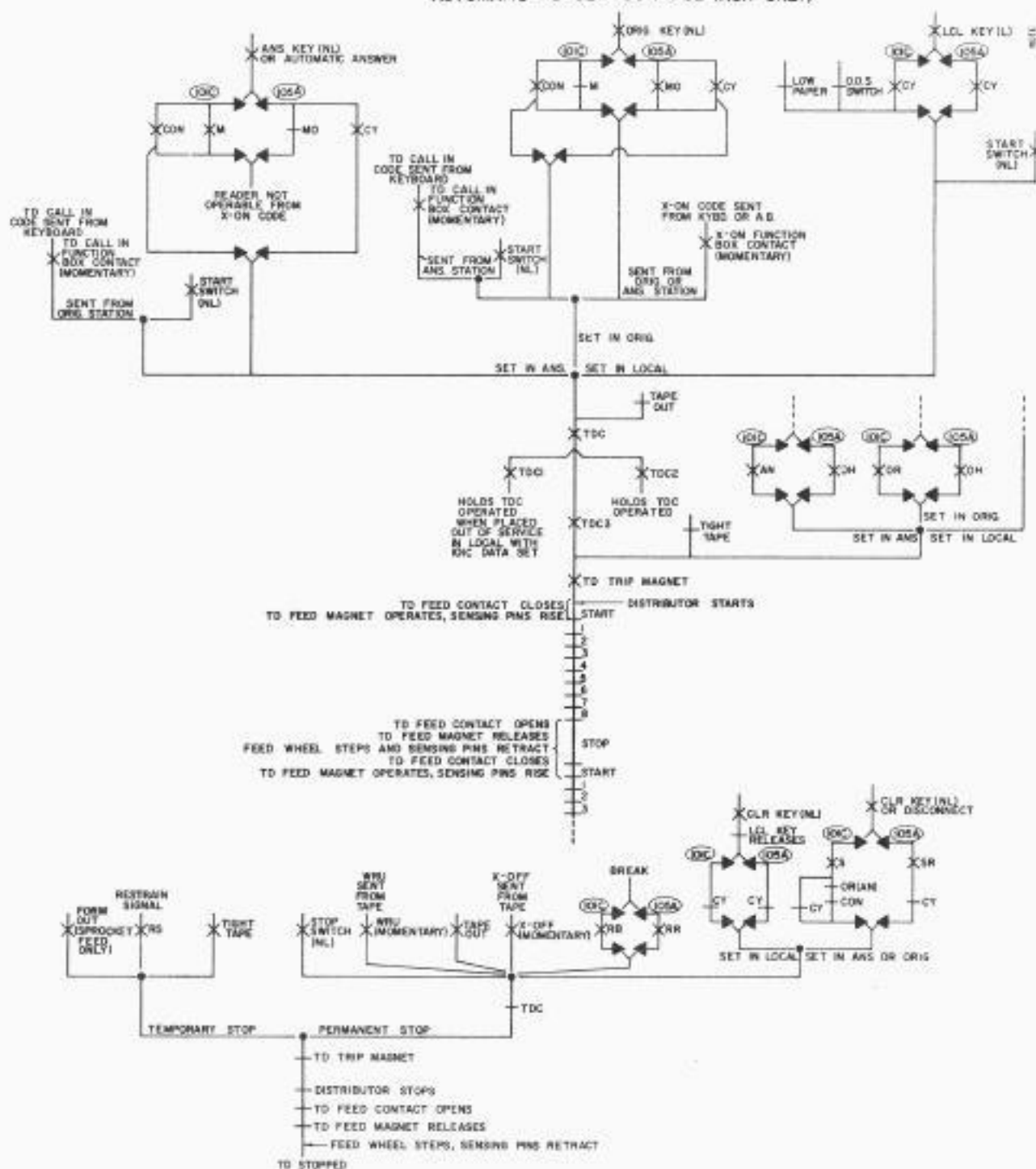
SC-2
HERE IS OR WRU ANSWER BACK



SC-3
MOTOR CONTROL



SC-4
AUTOMATIC READER CONTROL (ASR ONLY)



SEE CODE CONTROL RECORD FOR CSM FILE LIST OF SERIALS COMPRISING THIS SHEET E1

MODEL 33
AUTOMATIC SEND-RECEIVE AND
KEYBOARD SEND-RECEIVE SETS
FOR TWX

APPROVALS

D AND R	E OF M
<i>[Signature]</i>	<i>[Signature]</i>

E-NUMBER
PROD. NO. 7882WD-C1
DATE 11-9-65
PB FILE NO. G-A528A
DRAWN R.H.B. CHD/jlc
ENGD. G.C.W. APPD. G.A.J.

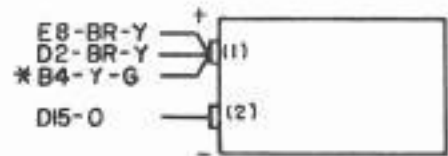
TELETYPE CORPORATION

ISSUE	DATE	AUTH NO.
A 2	8-1-62	30-1265
B 3	8-5-63	77081
C 4	1-31-64	79903
5	5-10-68	95523-4
6	1-14-71	736

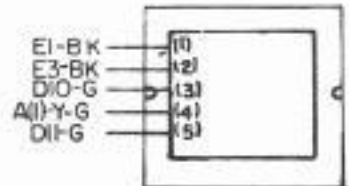
- NO. NOTES
- WIRING CODE**

DISTANT TERMINATING AREA
 DISTANT TERMINATING POINT
 COLOR CODE
 A 3 - BL
 - SEE 4979WD FOR SCHEMATIC WIRING DIAGRAM
 - USE CABLE 181818
 - * DENOTES #20 AWG WIRE. ALL OTHERS #24AWG
 - SOME 182695 UNITS CONTAIN 330793 OR 182722 TRANSFORMER AND 182696 CABLE WITH 182536 CONNECTOR.
SOME 181815 UNITS CONTAIN 330793 OR 182722 TRANSFORMER

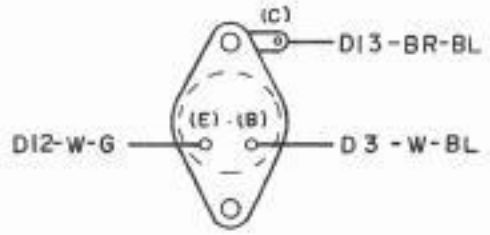
A
CAPACITOR FILTER
(182501)



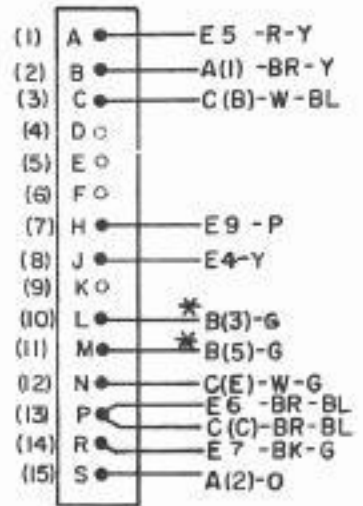
B
TRANSFORMER, POWER
(337992) 50/60 Hz
NOTE 5



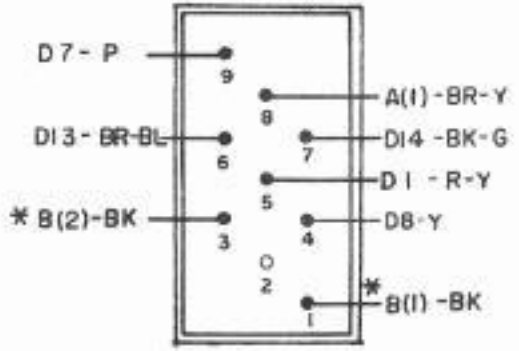
C
TRANSISTOR, POWER
(181675)



D
CONNECTOR, CARD
(181819)
NOTE 5



E
CONNECTOR, RECEPTACLE
(182716)



WDP

ACTUAL WIRING DIAGRAM FOR 182695 & 181815 SELECTOR MAGNET DRIVER

APPROVALS

D AND R	E OF M

C-NUMBER
PROD. NO. 4970 WD

DATE: 6-22-62
 PD. FILE NO 1-165.153AA
 DRAWN C.A. CHKD P.P.
 ENGD. P.R.S. APPD.

TELETYPE CORPORATION
4970 WD

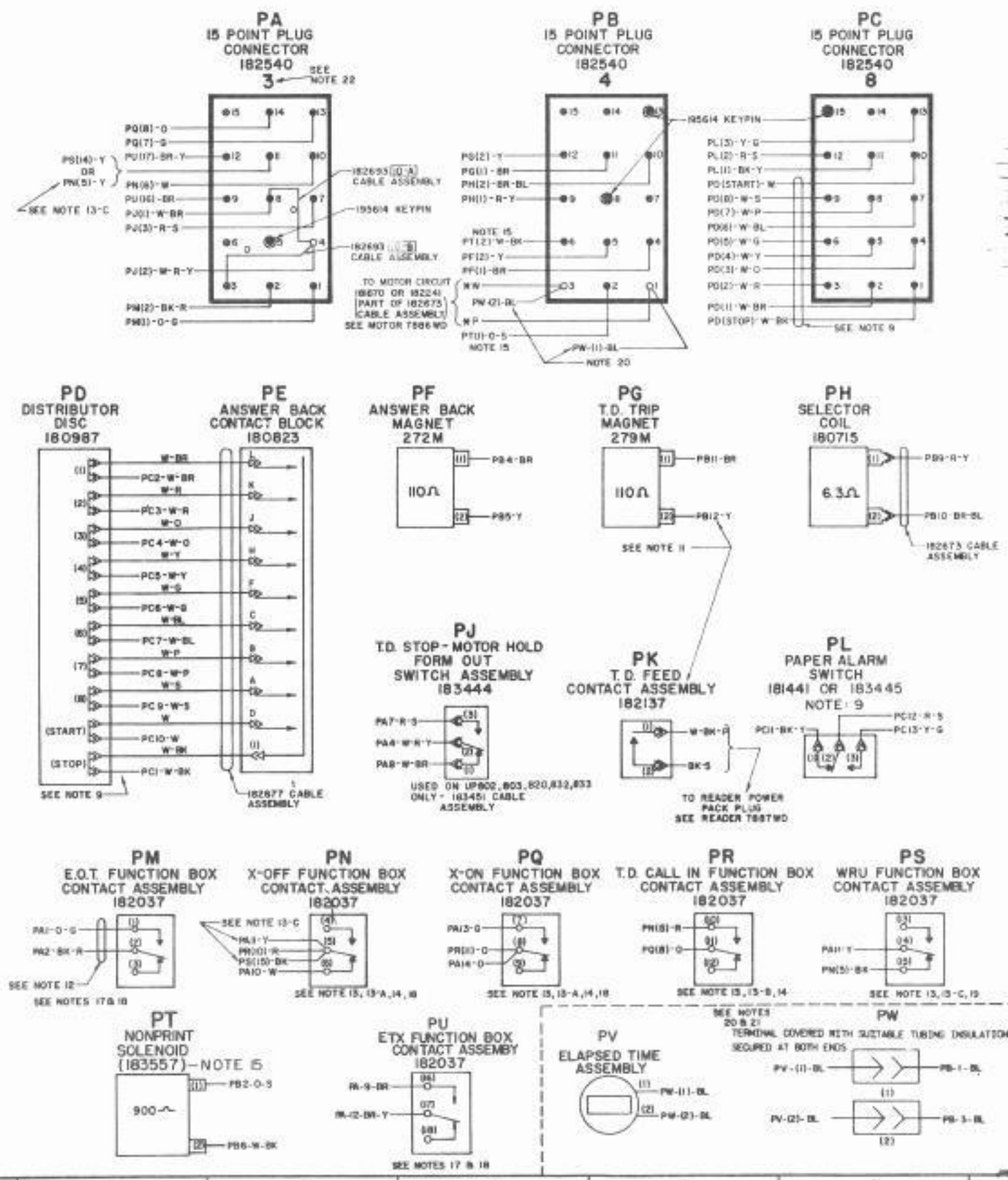
7884 WD

REVISIONS		
ISSUE	DATE	AUTH. NO.
1	2-23-66	17470-R
2	3-29-66	30790
3	6-7-66	89162
4	11-3-66	92300-BC
5	12-11-67	94821-D
6	1-24-69	96778
7	2-18-69	96829
8	3-25-69	96982
9	5-5-69	99135
10	10-16-69	99716
11	2-18-70	99947-4
12	3-13-70	999
13	12-9-70	2143

- NO. NOTES**
1. WIRING LEGEND:
 D-DISTANT TERMINATING AREA
 D-DISTANT TERMINATING DESIGNATION
 C-COLOR CODE
 PQ001-0 (00-3) SEE NOTE 16
 2. WIRE COLOR CODE:
 W-WHITE BL-BLUE
 BK-BLACK BR-BROWN
 O-ORANGE P-PURPLE
 Y-YELLOW S-SLATE
 G-GREEN R-RED
 3. TERMINALS DESIGNATED I DO NOT APPEAR ON COMPONENT.
 4. CONNECTORS VIEWED FROM WIRED END.
 5. X DENOTES ISAWG WIRE. ALL OTHER WIRING 24AWG.
 6. FOR SCHEMATIC WIRING DIAGRAM SEE 7882WD.
 7. ASSOCIATED UNIT ACTUAL WIRING DIAGRAMS:
 7885 WD KEYBOARD-UNBOO, B04
 7886 WD MOTOR
 7887 WD TAPE READER-UX900, B01
 7888 WD CALL CONTROL UNIT-UCC-3
 4070 WD SELECTOR MAGNET DRIVER
 8. S-NUMBERS:
 6713 S-FRICTION FEED
 60,7&7 S-SPROCKET FEED
 9. USE 182678 AND 184156 CABLE ASSEMBLIES FOR UP800, 804, 831, 834, 841, 847, 849, 854, 855.

 USE 182681 CABLE ASSEMBLY FOR UP 802, 803, 820, 832, 833
 10. WIRING OF MATING CONNECTOR RECEPTACLE-3 ON THE UCC-3 CALL CONTROL UNIT CHANGED TO ACCOMMODATE UX-B01 AUTOMATIC READER CONTROL FACILITIES CABLE ASSEMBLY (STRAP) USED ON UP-300,601,83,834,85R ONLY ON EARLY UNITS IF STRAP IS USED, CONNECTOR POSITION 3 WILL CONTAIN A MALE TERMINAL.
 11. THESE COMPONENTS USED ON UP801, 803, 820 PRINTER ASSEMBLIES ONLY FOR UX800 (MANUAL) OR UX-B01 (AUTOMATIC) READER OPERATION (ALSO SHOWN ON READER 7887WD.)
 12. 182684 CABLE ASSEMBLY IS USED ON ALL PRINTER ASSEMBLIES EXCEPT WHEN EQUIPPED WITH AUTOMATIC READER OPTION WHICH REQUIRES USE OF 183123 CABLE ASSEMBLY. SEE NOTE 13-A, 14.
 13. MODIFICATIONS TO UP 801, 803 PRINTER ASSEMBLIES TO PROVIDE AUTOMATIC READER CONTROL OPTIONS:
 13-A USE 18328 MODIFICATION KIT TO ADD ASSOCIATED PARTS AND X-ON, X-OFF FUNCTION BOX CONTACT ASSEMBLIES TO PROVIDE AUTOMATIC READER CONTROL (18323 CABLE ASSEMBLY IS USED)
 13-B USE 182290 MODIFICATION KIT TO ADD ASSOCIATED PARTS AND TO CALL IN FUNCTION BOX CONTACT ASSEMBLY MODIFIED AS PER 18328 MODIFICATION KIT-NOTE-13-A
 13-C USE 182296 MODIFICATION KIT TO ADD ASSOCIATED PARTS AND WRU FUNCTION BOX CONTACT ASSEMBLY MODIFIED AS PER 18328 MODIFICATION KIT-NOTE-13-A
 ON PRINTER ASSEMBLIES WITHOUT THE WRU CONTACT ASSEMBLY THE Y WIRE FROM CONNECTOR PLUG NO.3 TERMINAL II WILL BE ASSEMBLED TO X-OFF CONTACT TERMINAL (10) AND THE BK WIRE FROM WRU CONTACT TERMINAL (16) TO X-OFF CONTACT TERMINAL (15) IS NOT USED.

14. THESE COMPONENTS ARE STANDARD EQUIPMENT ON THE UP820 PRINTER UNIT.
15. APPLIES TO UNITS CONTAINING PRINT NONPRINT OPTION, 183986 MODIFICATION KIT.
16. WIRING STATUS:
 RECTANGULAR BOX INDICATES HISTORY OF WIRING CHANGES
 (00-3) B - DENOTES WIRING BEFORE THE CHANGE DESCRIBED BY THE DESIGNATED NOTE NUMBER ENTERED THE PRODUCT.
 (00-4) A - DENOTES WIRING AFTER THE CHANGE DESCRIBED BY THE DESIGNATED NOTE ENTERED THE PRODUCT.
17. THE 182646 CABLE ASSEMBLY IS USED ON UP855.
18. THE 182643 CABLE ASSEMBLY IS USED ON UP847.
19. THE WRU CONTACT IS NOT WIRED ON UP847.
20. THE 182654 CABLE ASSEMBLY IS USED ON UP 847 AND UP 855.
21. THE 182656 ELAPSED TIMER ASSEMBLY IS USED ON UP 847 AND UP 855.
22. CONNECTOR 3 NOT USED ON UP841, UP849, UP854.



ACTUAL WIRING DIAGRAM FOR M35 B LEVEL PRINTERS

FRICTION FEED
 UP-800-KSR, 804-KSR, 831-ASR
 834-KSR, 841-ASR, 847-ASR
 849-ASR, 854-ASR, 855-KSR
 857-ASR

SPROCKET FEED
 UP-802-KSR, 803-ASR, 820-ASR,
 832-KSR, 833-ASR
 858-ASR

APPROVALS

D AND R: [Signature]

E OF M: [Signature]

E-NUMBER
 PROD. NO. 7884 WD

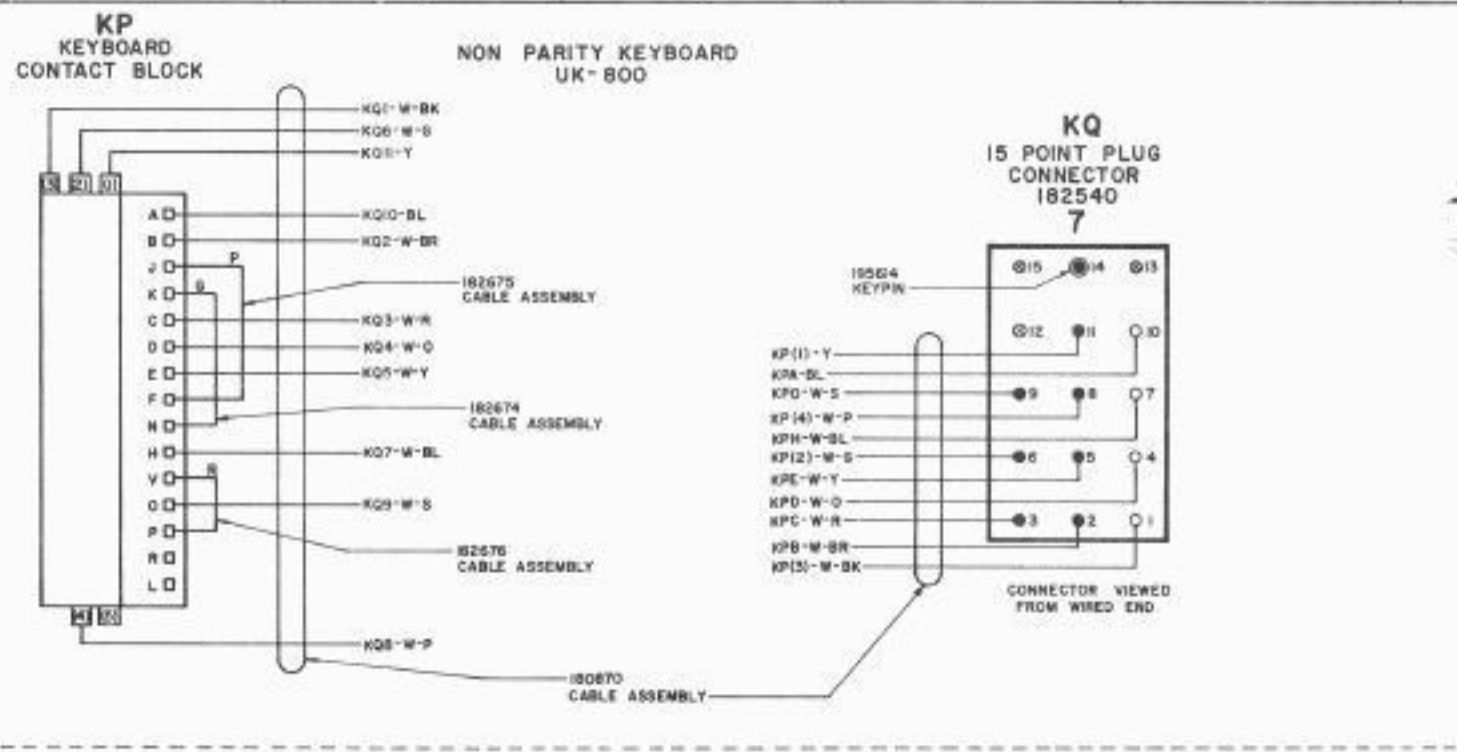
DATE: 9-20-65

R.D. FILE NO. GAI52AA
 DRAWN: R.H.B. QMD: J.E.
 ENGR: J.W.B. APPD: [Signature]

TELETYPE CORPORATION

7884 WD

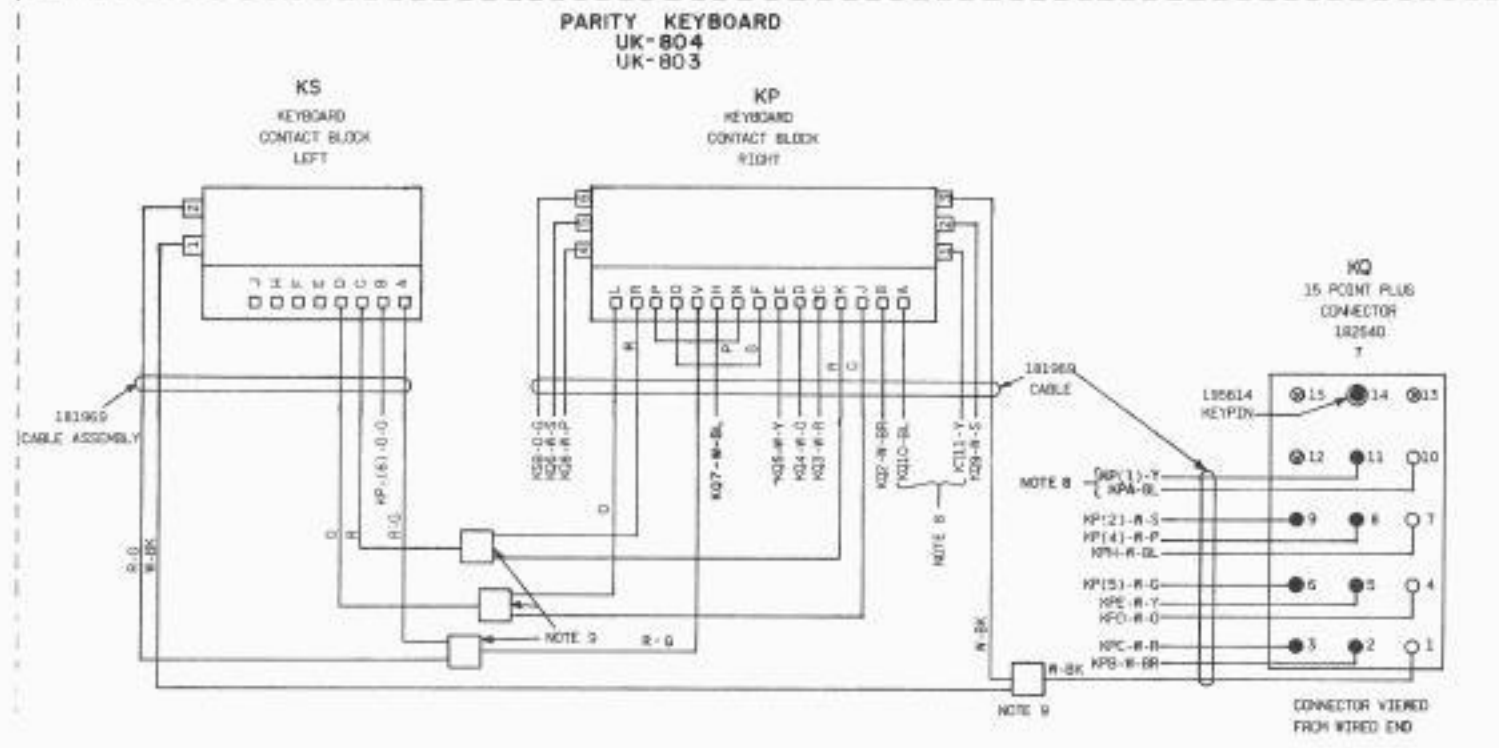
- NO. NOTES**
1. WIRING LEGEND:
 DISTANT TERMINATING AREA
 DISTANT TERMINATING DESIGNATION
 COLOR CODE
 KQ1-W-BK
 2. WIRE COLOR CODE:
 W-WHITE BL-BLUE
 BK-BLACK BR-BROWN
 O-ORANGE P-PURPLE
 Y-YELLOW S-SLATE
 G-GREEN R-RED
 3. TERMINALS DESIGNATED () DO NOT APPEAR ON COMPONENT
 4. FOR TELETYPE PERSONNEL REFERENCE SPECIFICATION 67135
 5. FOR SCHEMATIC WIRING DIAGRAM SEE 7885WD OR 855WD.
 6. ASSOCIATED UNIT ACTUAL WIRING DIAGRAMS:
 7884WD PRINTER - UP800, 801, 802, 803, 820
 7885WD MOTOR
 7885WD TAPE READER - UX800, 801
 7885WD CALL CONTROL - UCC-3
 4470WD SELECTOR MAGNET DRIVER
 4154WD CALLCONTROL-UCC26
 8100WD PRINTER - UP 838
 7. WIRING STATES:
 RECTANGULAR BOX INDICATES HISTORY OF WIRING CHANGES
 B - DENOTES WIRING BEFORE THE CHANGE DESCRIBED BY THE DESIGNATED NOTE NUMBER ENTERED THE PRODUCT.
 A - DENOTES WIRING AFTER THE CHANGE DESCRIBED BY THE DESIGNATED NOTE ENTERED THE PRODUCT.
 8. THESE WIRES ARE NOT FOUND ON UK803.
 9. MANUFACTURING CHANGES MADE IN CABLE OF "PARITY" KEYBOARDS. EARLIER UNITS HAD 2 WIRES IN CERTAIN CONTACT BLOCK AND CONNECTOR PINS (K1-L, R, V, KQ-1). KEYBOARD FUNCTION UNCHANGED. BOXES REPRESENT SPLICES INTERNAL TO CABLE. SPLICES NOT SHOWN ON ASSOCIATED SCHEMATIC DRAWINGS.



7885 WD

REVISIONS

ISSUE	DATE	AUTH. NO.
1	2-23-66	17470-R
2	11-3-66	92300-BC
3	9-9-67	94091-D
4	1-30-68	98171
5	12-13-68	36625
6	1-14-72	5078
7	3-29-72	5078-1



ACTUAL WIRING DIAGRAM FOR MODEL 35 B LEVEL KEYBOARD NON PARITY-UK804, UK 803

APPROVALS

D AND R *[Signature]* E OF M *[Signature]*

E-NUMBER

PROD. NO. 7885WD

DATE 7-1-66

RD. FILE NO. 1-155,155AA

DRAWN R.H.B. *[Signature]* CHD *[Signature]*

ENGD. J.W.S. *[Signature]* APPD. *[Signature]*

TELETYPE CORPORATION

7885 WD

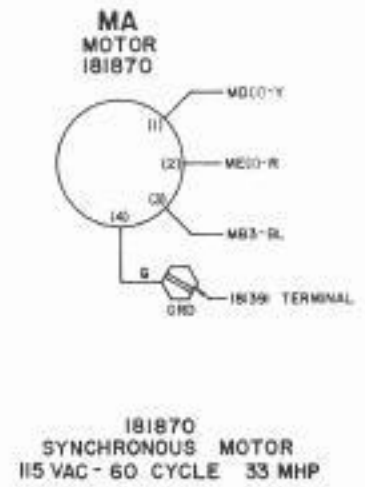
7886 WD

REVISIONS

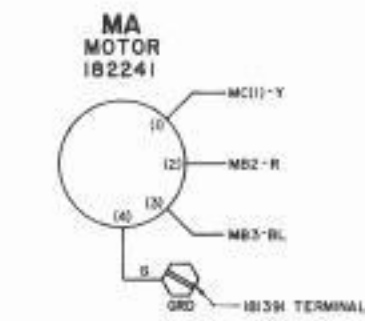
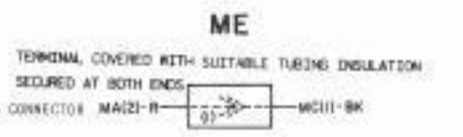
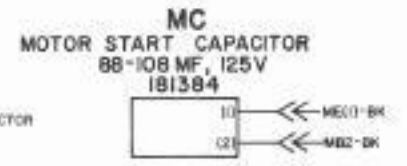
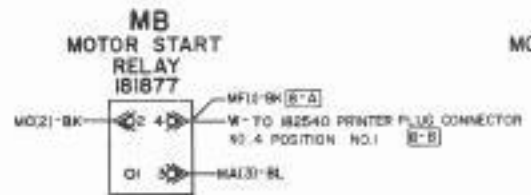
ISSUE	DATE	AUTH. NO.
1	2-23-66	17470-R
2	3-29-66	90790
3	11-3-66	92300-PC
4	1-30-68	93171
5	2-18-70	99947-4
6	12-9-70	2145

NO. NOTES

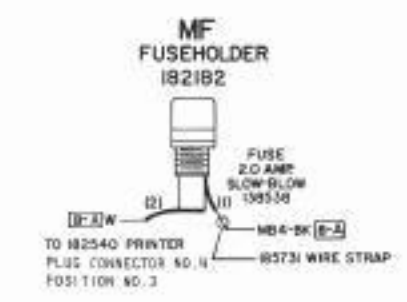
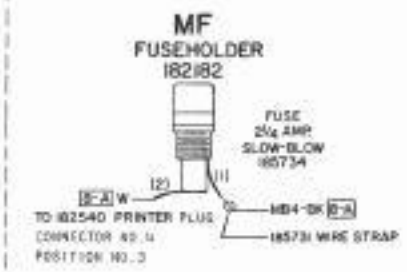
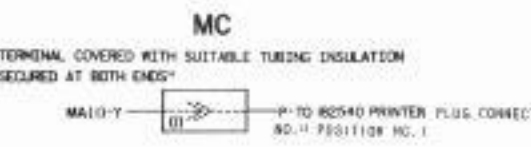
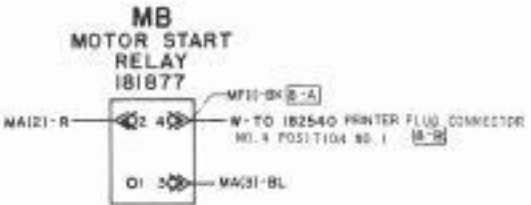
- WIRING LEGEND:
 D-DISTANT TERMINATING AREA
 T-DISTANT TERMINATING DESIGNATION
 C-COLOR CODE
 M000-Y
- WIRE COLOR CODE
 W-WHITE B-BLUE
 BK-BLACK BR-BROWN
 O-ORANGE P-PURPLE
 Y-YELLOW S-SLATE
 G-GREEN R-RED
- TERMINALS DESIGNATED C I DO NOT APPEAR ON COMPONENT
- FOR TELETYPE PERSONNEL REFERENCE SPECIFICATION 3045 FOR 18870 MOTOR SPECIFICATION 3105 FOR 18224 MOTOR SPECIFICATION 3135
- ASSOCIATED UNIT ACTUAL WIRING DIAGRAMS
 7883 WD PRINTER-RECEIVE ONLY-UP800
 7884 WD PRINTER-UP800 801 802 803 820
 7885 WD KEYBOARD-UP800 804
 7887 WD TAPE READER-UP800 801
 7888 WD CALL CONTROL-UCC-3
 7889 WD CALL CONTROL-UCC-4(R.O.)
 4970 WD SELECTOR MAGNET DRIVER
 4980 WD CALL CONTROL-UCC-2
 5420 WD PRINTER-LP 832
- USE 18267.5 CABLE ASSEMBLY
- FOR SCHEMATIC WIRING DIAGRAMS SEE:
 7882 WD KSR-4SR 889 WD SST CC
 7881 WD R.D.
- FUSEHOLDER ADDED TO PROVIDE FUSE PROTECTION FOR MOTOR CIRCUIT
- WIRING STATUS:
 RECTANGULAR BOX INDICATES HISTORY OF WIRING CHANGES
 B - DENOTES WIRING BEFORE THE CHANGE DESCRIBED BY THE DESIGNATED NOTE NUMBER ENTERED THE PRODUCT.
 A - DENOTES WIRING AFTER THE CHANGE DESCRIBED BY THE DESIGNATED NOTE NUMBER ENTERED THE PRODUCT.



181870 SYNCHRONOUS MOTOR
115 VAC-60 CYCLE 33 MHP



182241 SYNCHRONOUS MOTOR
115 VAC-60 CYCLE 33 MHP



ACTUAL WIRING DIAGRAM FOR MODEL 33 8 LEVEL MOTORS 181870 182241

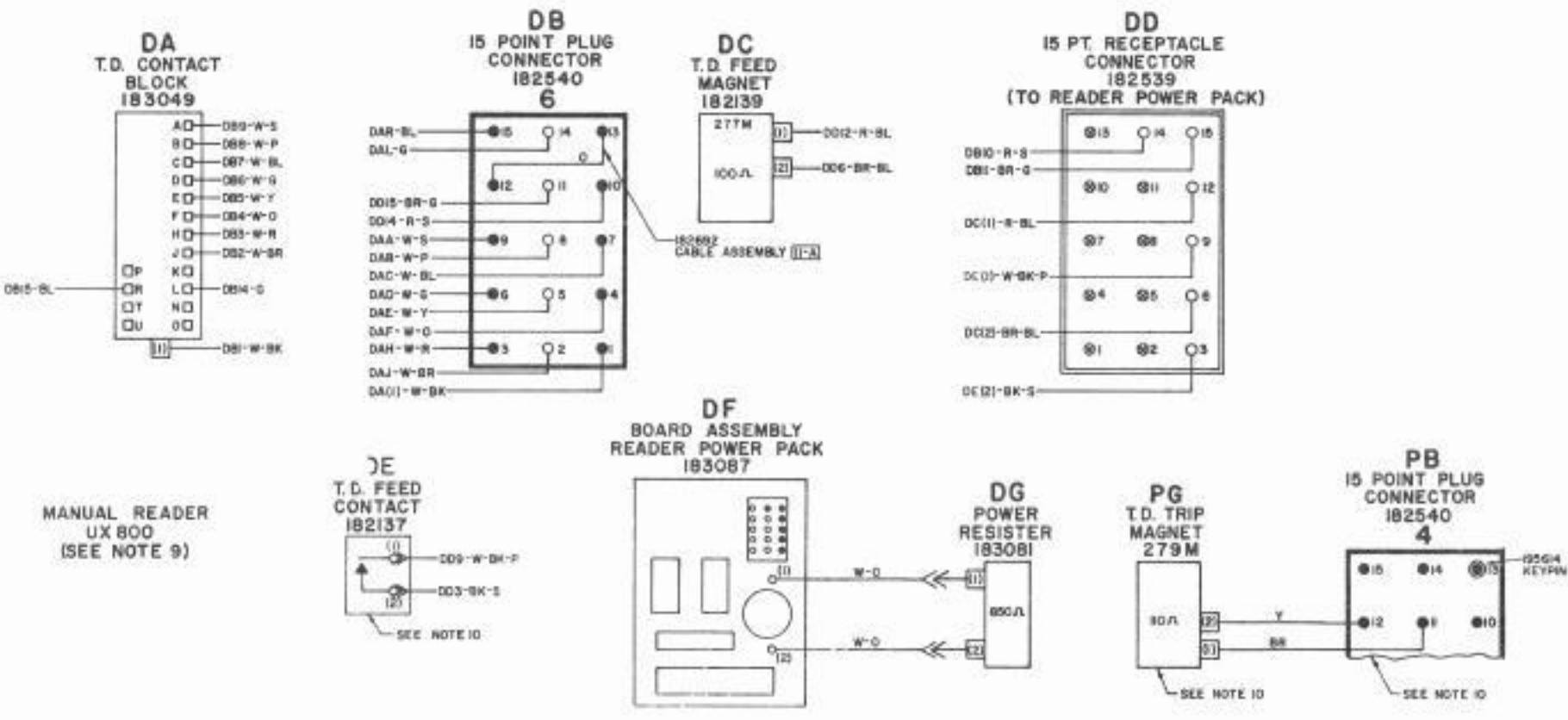
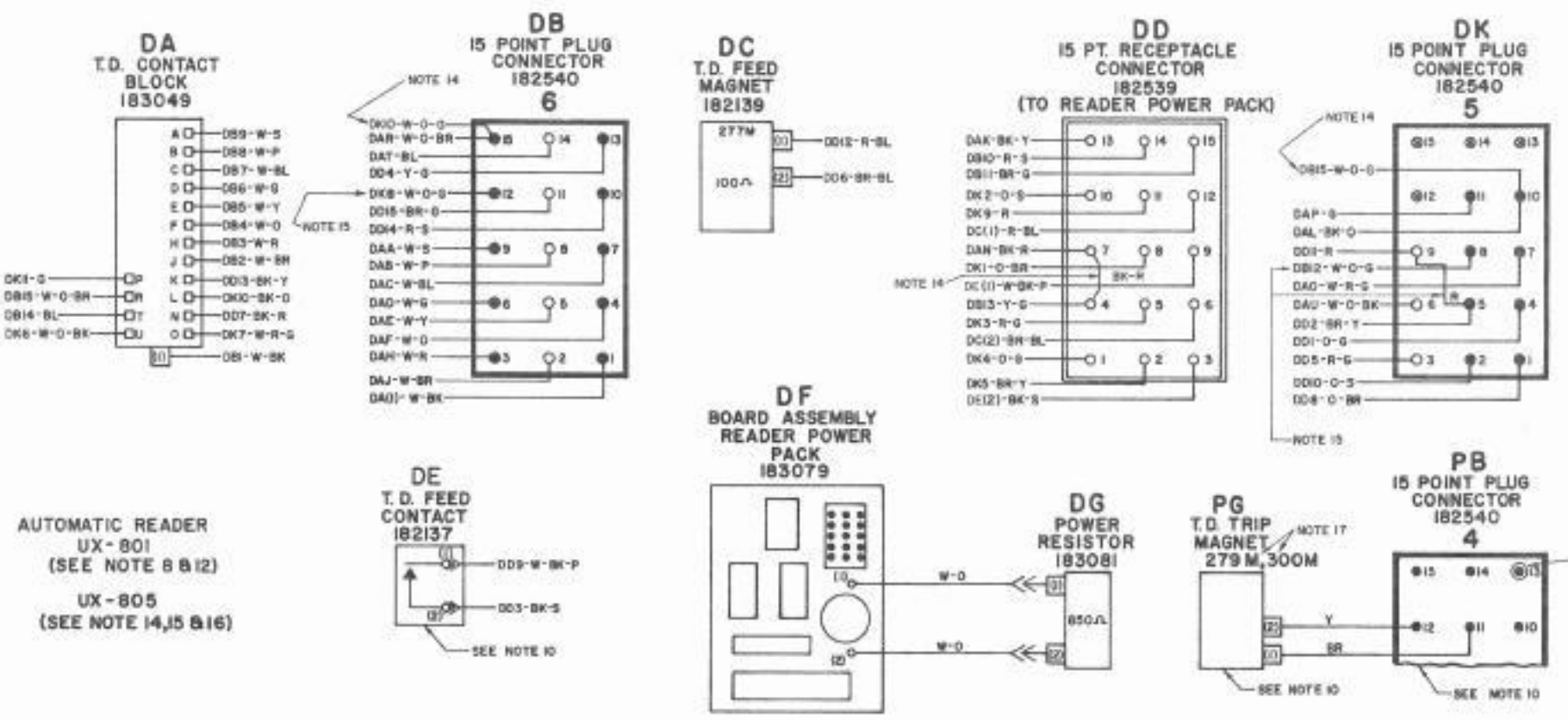
APPROVALS
 D AND R [Signature] E OF M [Signature]

E-NUMBER
 PROC. NO. 7886 WD
 DATE 6-6-65
 P.D. FILE NO. 6A152AA
 DRAWN R.H.S. CHD/DR
 ENGR. J.W.S. APPD. [Signature]

TELETYPE CORPORATION
 7886 WD

NO. NOTES

- 1. WIRING LEGEND:**
 DISTANT TERMINATING AREA
 DISTANT TERMINATING DESIGNATION
 COLOR CODE
 DB4-BL
- 2. WIRE COLOR CODE:**
 W-WHITE BL-BLUE
 BK-BLACK BR-BROWN
 O-ORANGE P-PURPLE
 Y-YELLOW S-SLATE
 G-GREEN R-RED
- 3. TERMINALS DESIGNATED () DO NOT APPEAR ON COMPONENT**
- 4. FOR TELETYPE PERSONNEL REFERENCES SPECIFICATION 60-425**
- 5. CONNECTORS VIEWED FROM WIRED END.**
- 6. FOR SCHEMATIC WIRING DIAGRAM SEE 7882 WD OR 859 WD.**
- 7. ASSOCIATED UNIT ACTUAL WIRING DIAGRAMS:**
 7884WD PRINTER-UP800,801,802,803,820
 7885WD KEYBOARD-UX800,804
 7886WD MOTOR
 7888WD CALL CONTROL-UCC-3
 4970WD SELECTOR MAGNET DRIVER
 858 WD CALL CONTROL-UCC 26
 8160 WD PRINTER-UP 836
- 8. OPTIONAL UX-801 AUTOMATIC READER-183075 CABLE ASSEMBLY, USED ONLY WITH UP801, 803, 820 PRINTER ASSEMBLIES.**
- 9. MANUAL READER-UX800 183074 CABLE ASSEMBLY, USED ONLY WITH UP801, 803 PRINTER ASSEMBLIES.**
- 10. THESE COMPONENTS ARE MOUNTED ON UP801, 803, 820 PRINTER ASSEMBLIES BUT ACTUALLY ARE PART OF READER CIRCUIT. SEE PRINTER 7884WD.**
- 11. 182892 CABLE ASSEMBLY (STRAP) NOT REQUIRED WHEN UX800 IS USED WITH EARLY STYLE (BEFORE UCC-3 WIRING CHANGED TO ACCOMMODATE UX801 FACILITIES) UCC-3 CALL CONTROL UNITS WITHOUT WIRES IN POSITION 12 AND 13 OF MATING CALL CONTROL RECEPTACLE CONNECTOR NO. 6.**
- 12. SEE PRINTER 7884WD FOR MODIFICATION TO UP801, 803 PRINTER ASSEMBLIES TO PROVIDE AUTOMATIC READER CONTROL OPTIONS.**
- 13. WIRING STATUS:**
 RECTANGULAR BOX INDICATES HISTORY OF WIRING CHANGES
 (DB-1) B - DENOTES WIRING BEFORE THE CHANGE DESCRIBED BY THE DESIGNATED NOTE NUMBER ENTERED THE PRODUCT.
 (DB-2) A - DENOTES WIRING AFTER THE CHANGE DESCRIBED BY THE DESIGNATED NOTE ENTERED THE PRODUCT.
- 14. ASSOCIATED WITH THE UX-805 ONLY.**
- 15. THERE WIRES DO NOT APPEAR ON UX-805**
- 16. AUTOMATIC READER UX-805 186340 CABLE ASSEMBLY.**
- 17. 279M-48VDC - 110 JL
 300M-117VAC - 780 JL**



7887 WD

REVISIONS		
ISSUE	DATE	AUTH. NO.
1	4-25-66	17470-R
2	11-5-66	82300 RC
3	1-31-68	98171
4	1-12-72	4833-RC

ACTUAL WIRING DIAGRAM FOR MODEL 33 B LEVEL MANUAL OR AUTOMATIC TRANSMITTER DISTRIBUTOR (TAPE READER) UX-800-MANUAL READER UX-801-AUTOMATIC READER UX-805-AUTOMATIC READER

APPROVALS

D AND R	E OF M
---------	--------

E-NUMBER
 PROD. NO. 7887 WD
 DATE 8-3-65
 R.D. FILE NO. S-A152AA
 DRAWN R.H.B. CHKD. JAC
 ENGR. J.W.S. APPD. JAC

TELETYPE CORPORATION

7887 WD

1. WIRING LEGEND
 - DISTANT TERMINATING AREA
 - DISTANT TERMINATING DESIGNATION
 - COLOR CODE
 CN6-BK

2. WIRE COLOR CODE
 BK-BLACK BR-BROWN W-WHITE
 O-ORANGE P-PURPLE BL-BLUE
 Y-YELLOW S-SLATE G-GREEN
 R-RED

3. TERMINALS DESIGNATED () DO NOT APPEAR ON COMPONENT.

4. CONNECTORS ARE VIEWED FROM WIRED END.

5. * DENOTES 20 AWG WIRE. ALL OTHER WIRING 24 AWG. * DENOTES 18 AWG WIRE.

6. FOR SCHEMATIC WIRING DIAGRAM SEE 7882 WD.

7. ASSOCIATED UNIT ACTUAL WIRING DIAGRAMS
 7884WD PRINTER-UP800,801,802,803,804
 7885WD KEYBOARD-LX800,804
 7886WD MOTOR
 7887WD TAPE READER-LX800,801
 4970WD SELECTOR MAGNET DRIVER

8. FOR TELETYPE PERSONNEL REFERENCE: SPECIFICATION 80,5315 - MODEL 33 ASR SPECIFICATION 60,5325 - MODEL 33 KSR

9. MAIN CABLE ASSEMBLY 182671

10. THESE WIRES ARE SPARES. EACH IS TERMINATED NEAR THE 182717 TERMINAL STRIP, TAPED AND TIED BACK.

11. 182559 CONNECTOR RECEPTACLE NO.5 AND ASSOCIATED WIRING ADDED TO PROVIDE FACILITIES FOR OPTIONAL AUTOMATIC READER CONTROL (182491 MODIFICATION KIT IS USED TO UPDATE EARLIER STYLE CALL CONTROL FOR AUTOMATIC READER CONTROL). ON EARLY UNITS CONNECTOR 3 WILL CONTAIN MALE TERMINALS IN POSITIONS 5 AND 6 AND A FEMALE TERMINAL IN POSITION 3.

12. 182287 WIRE STRAP ADDED TO FACILITATE INSTALLATION OR REMOVAL OF 18265 ELAPSED TIME INDICATOR.

13. FUSEHOLDER ADDED TO PROVIDE FUSE PROTECTION FOR POWER TRANSFORMER.

TRANSFORMER	FUSE	FUSE PART NO.
181879	1/2 AMP SLOW-BLOW	117176
182657	6/10 AMP SLOW-BLOW	162360

SOME UNITS MAY HAVE A BROWN LEAD OF 20 AWG INSTEAD OF 24AWG FROM CS (1) TO CU2 AND A BLACK LEAD OF 20AWG INSTEAD OF 18 AWG FROM CT (1) TO CV2.

14. APPLIES TO UNITS CONTAINING PRINT NONPRINT OPTION. 183966 MODIFICATION KIT.

15. WIRE CHANGE ADDED TO MAKE AUTOMATIC READER OPERABLE IN THE LOCAL "OUT OF SERVICE" MODE WHEN SET (5) USED WITH EITHER THE 101-C OR 105-A DATA SETS.

16. UNUSED SPARK SUPPRESSOR REMOVED AND ASSOCIATED WIRING REMOVED OR CHANGED TO SHUT. ON SOME UNITS CONNECTOR NO.4 WILL CONTAIN FEMALE TERMINALS IN POSITION 14 & 15.

17. SOME UNITS MAY HAVE A SLATE LEAD OF 20AWG INSTEAD OF 18AWG FROM CD (3) TO CZ1.

18. WIRING STATUS:
 RECTANGULAR BOX INDICATES HISTORY OF WIRING CHANGES
 [18-B] B - DENOTES WIRING BEFORE THE CHANGE DESCRIBED BY THE DESIGNATED NOTE ENTERED THE PRODUCT.
 [18-A] A - DENOTES WIRING AFTER THE CHANGE DESCRIBED BY THE DESIGNATED NOTE ENTERED THE PRODUCT.

19. SOME UNITS DO NOT HAVE THIS NETWORK.

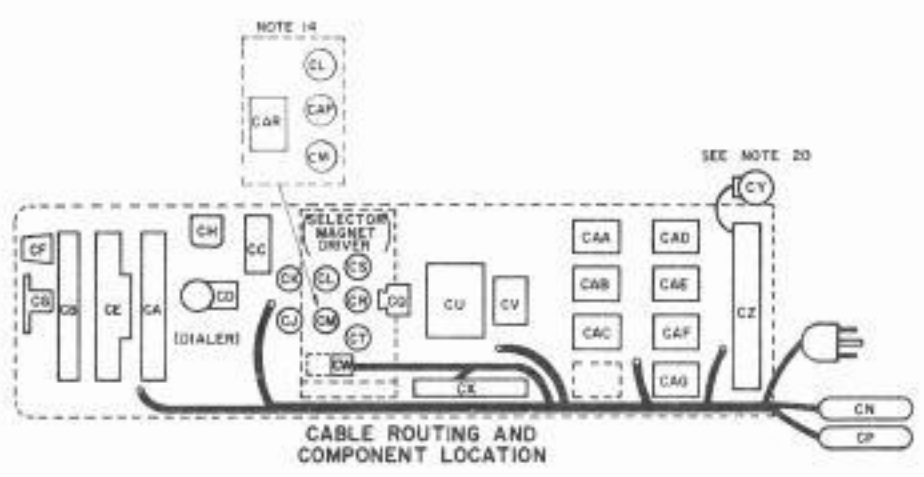
20. THE UCC32 CALL CONTROL UNIT DOES NOT INCLUDE THE 18265 ELAPSED TIMER ASSEMBLY.

21. OLDER STYLE CONVENIENCE OUTLET MECHANICALLY GROUND.

22. OLDER SETS NOT EQUIPPED WITH PEDESTAL GROUND STRAP.

NOTE: PERSON INFORMATION MUST ALSO BE REFLECTED ON THE ISSUE CONTROL RECORD, WHICH IS A PART OF THIS DRAWING.

7888 WD		
REVISIONS		
ISSUE	DATE	AUTH. NO.
1	2-23-66	17670-R
2	6-7-66	89102
3	6-10-66	89475-1
4	9-3-66	9193
5	11-4-66	91413
6	1-30-67	93113-BC
7	12-8-68	96453
8	1-27-69	96776
9	3-4-70	99947-1



SEE ISSUE CONTROL RECORD FOR COMPLETE LIST OF SHEETS COMPRISING THIS SHEET 1

ACTUAL WIRING DIAGRAM FOR CALL CONTROL UNIT UCC-3 & UCC-32 MODEL 33 8 LEVEL AUTOMATIC SEND-RECEIVE (ASR) SEND-RECEIVE (KSR)

APPROVALS
 D AND R: [Signature]
 E OF M: [Signature]

E-NUMBER
 PROD. NO. 7888WD
 DATE 10-12-85
 P.D. FILE NO. G-M52AA
 DRAWN R.H.B. CHW. Jie
 ENGR. J.W.S. APPD. [Signature]

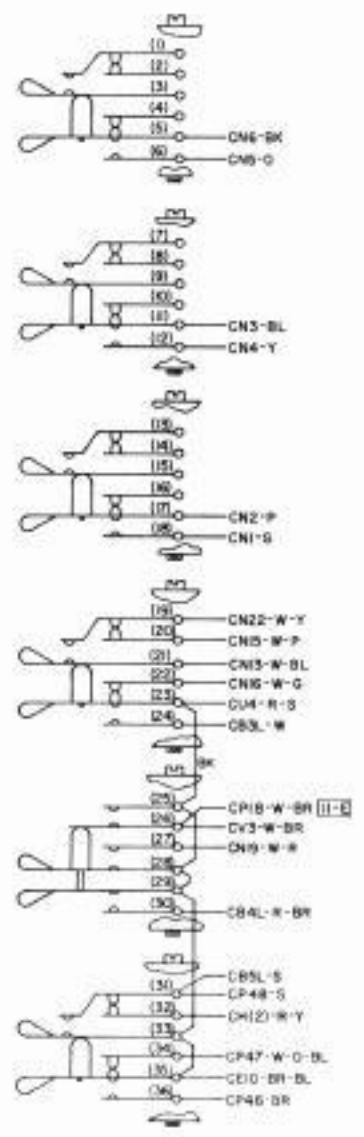
TELETYPE CORPORATION
 7888 WD

NOTE: REVISION INFORMATION MUST ALSO BE REFLECTED ON THE ISSUE CONTROL RECORD, WHICH IS A PART OF THIS DRAWING.

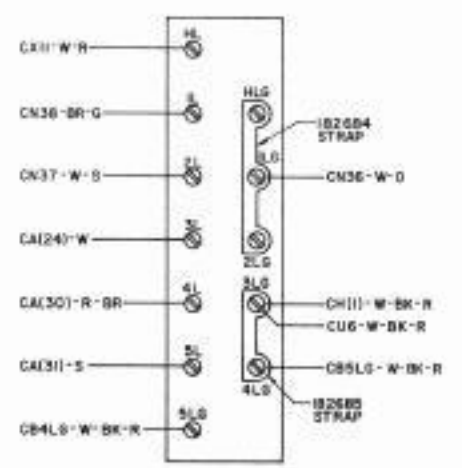
7888 WD

REVISIONS		
ISSUE	DATE	AUTH. NO.
1	2-23-66	17470-R
2	1-27-69	96776

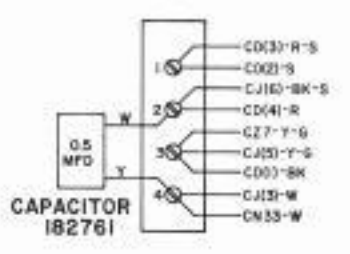
CA
KEY ASSEMBLY
182582



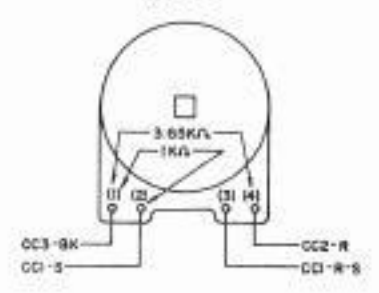
CB
LAMP STRIP
193438



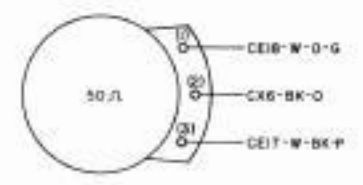
CC
TERMINAL BLOCK
151415



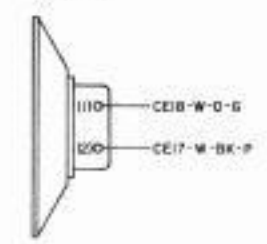
CD
RINGER
182503



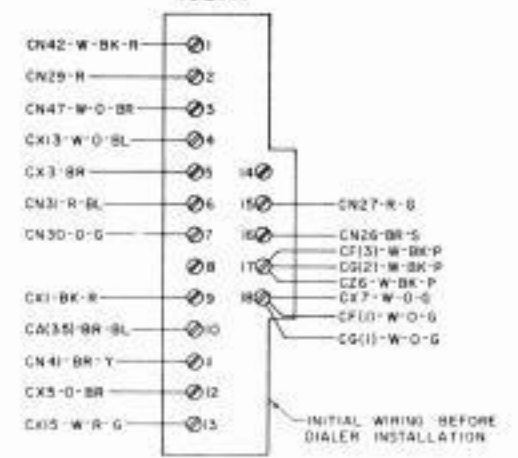
CF
VOLUME CONTROL
182683



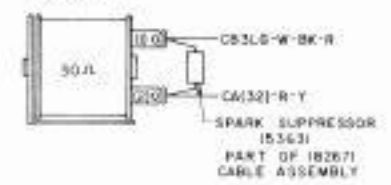
CG
SPEAKER
182682



CE
DIAL TERMINAL STRIP
182717



CH
BUZZER
182718



SEE ISSUE CONTROL RECORD FOR COMPLETE LIST OF SHEETS COMPRISING THIS NO.

NOTES ON SHEET 1 SHEET 2

ACTUAL WIRING DIAGRAM FOR CALL CONTROL UNIT UCC-3 B UCC32 MODEL 33 8 LEVEL AUTOMATIC-SEND RECEIVE (ASR) SEND-RECEIVE (SR)

APPROVALS

D AND R E OF W

E-NUMBER

PROD. NO. 7888WD

DATE 10-15-65

RD. FILE NO. 6-A152AA

DRAWN R.H.B. CHW JSE

ENGR. J.W.S. APPD. JAL

TELETYPE CORPORATION

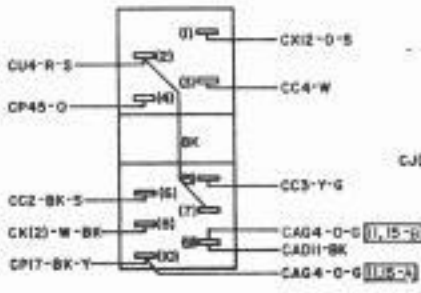
7888 WD

NOTE: REVISION INFORMATION MUST ALSO BE REFLECTED ON THE ISSUE CONTROL RECORD, WHICH IS A PART OF THIS DRAWING.

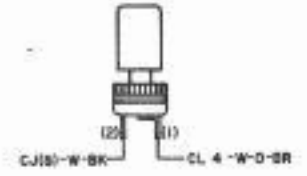
REVISIONS

ISSUE	DATE	AUTH. NO.
1	2-23-66	17470-R
2	6-7-66	89162
3	6-10-66	89476-1
4	6-29-66	90965
5	9-8-66	91193
6	11-4-66	91513
7	3-28-68	95607
8	1-27-69	96776
9	3-4-70	99947-1

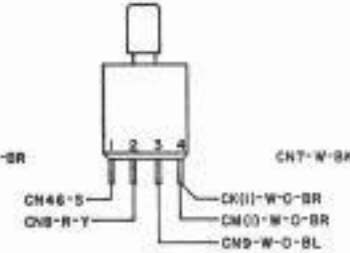
CJ
OUT OF SERVICE SWITCH
182688



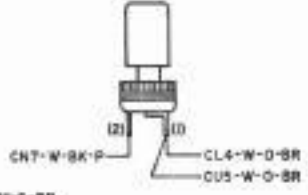
CK
OUT OF SERVICE LAMP
182658



CL
BREAK RELEASE SWITCH
182660



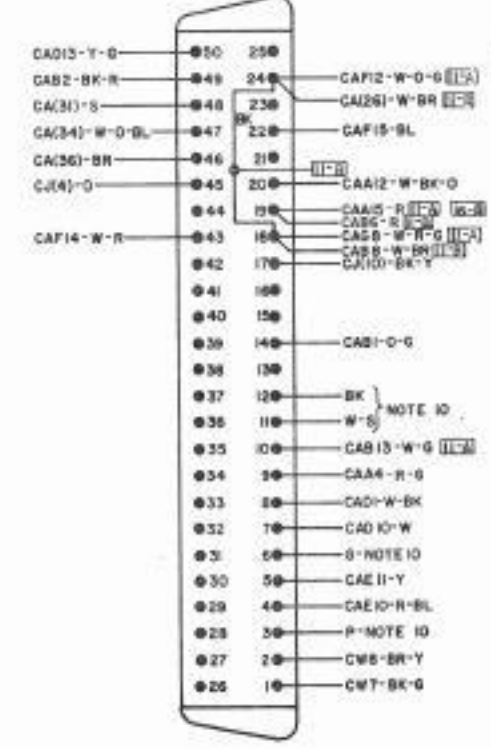
CM
RESTRAIN LAMP
182658



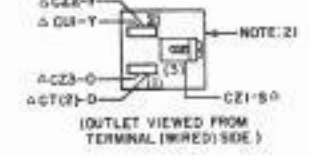
CN
CONNECTOR RECEPTACLE - 50 PT.
182733



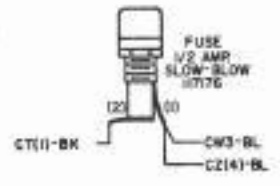
CP
CONNECTOR PLUG 50 PT.
182732



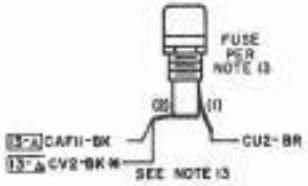
CQ
CONVENIENCE OUTLET
301713



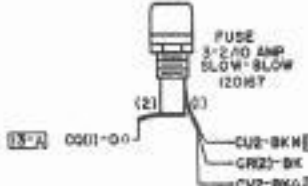
CR
FUSEHOLDER (S.M.D.)
182182



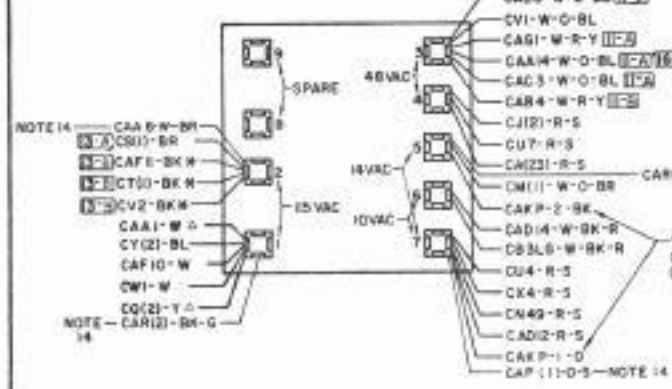
CS
FUSEHOLDER (TRANSF.)
182182



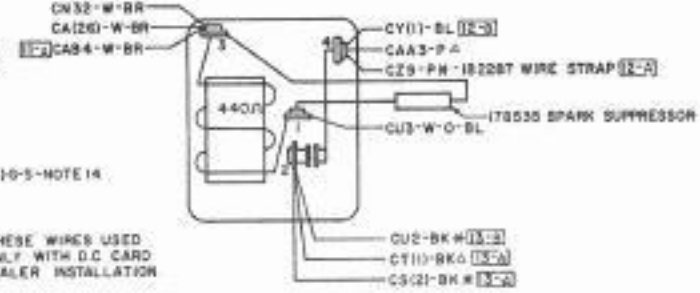
CT
FUSEHOLDER (SET)
182182



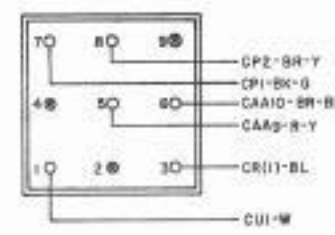
CU
POWER TRANSFORMER
181879 OR 182657 - NOTE 13



CV
MOTOR CONTROL RELAY
182669



CW
9 POINT CONNECTOR RECEPTACLE (S.M.D.)
182645



CX
CIRCUIT CARD CONNECTOR (AMPL.)
182536



SEE ISSUE CONTROL RECORD FOR COMPLETE LIST OF SHEETS COMPRISING THIS NO.

NOTES ON SHEET 1 SHEET 3

ACTUAL WIRING DIAGRAM FOR CALL CONTROL UNIT UCC-3B UCC32 MODEL 33 6 LEVEL AUTOMATIC SEND-RECEIVE (ASR) SEND-RECEIVE (ASR)

APPROVALS
D AND R E OF M

E-NUMBER
PROD. NO. 7888 WD
DATE 10-19-65
RD. FILE NO. 6-A152AA
DRAWN R.H.B. CHKD J.J.K.
ENGR. J.W.S. APPR. G.A.S.

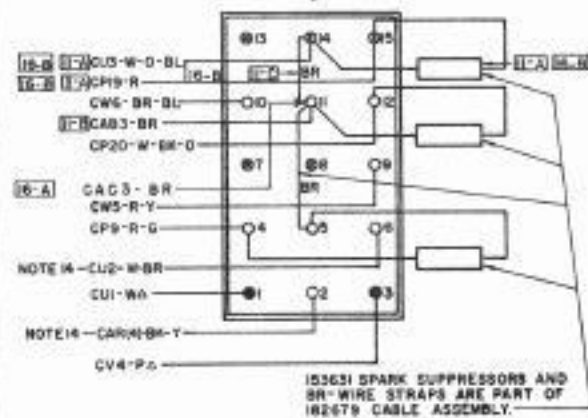
TELETYPE CORPORATION

NOTE: REVISION INFORMATION MUST ALSO BE REFLECTED ON THE ISSUE CONTROL RECORD, WHICH IS A PART OF THIS DRAWING.

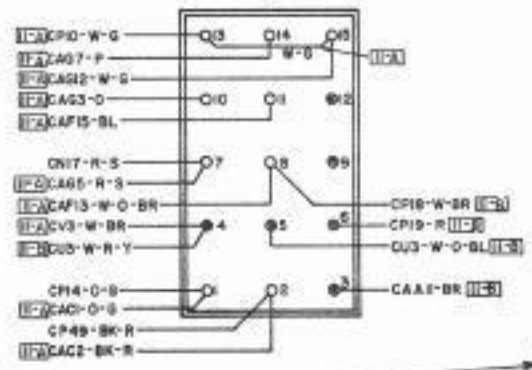
REVISIONS

ISSUE	DATE	AUTH. NO.
1	2-23-66	17470-R
2	5-7-66	89162
3	6-10-66	69470-1
4	5-5-66	91193
5	11-4-66	91413
6	3-28-68	95607
7	1-27-69	98776
8	4-2-69	96932
9	3-4-70	99347-1

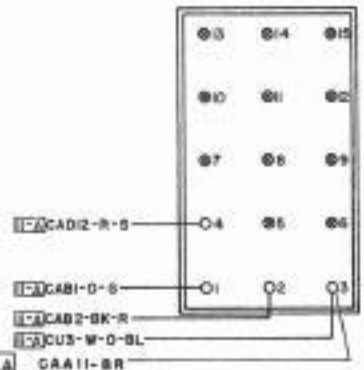
CAA
15 POINT RECEPTACLE CONNECTOR
182539
4



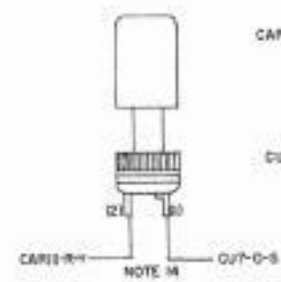
CAB
15 POINT RECEPTACLE CONNECTOR
182539
3



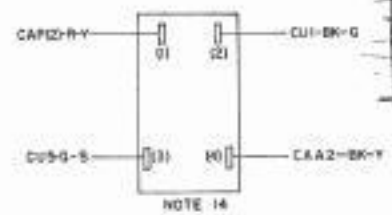
CAC
15 POINT RECEPTACLE CONNECTOR
182539
2



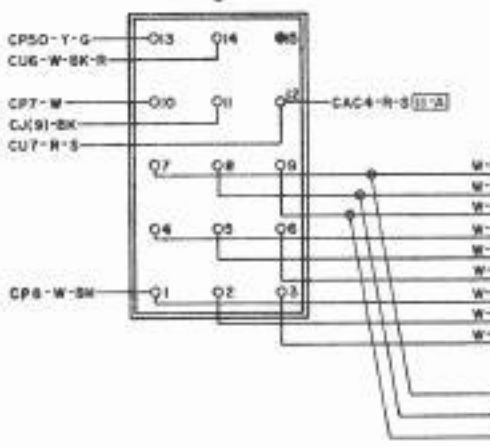
CAP
NONPRINT LAMP
182658



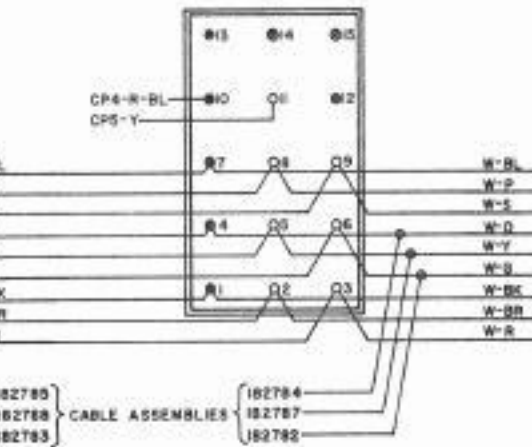
CAR
NONPRINT TOGGLE SWITCH
105803



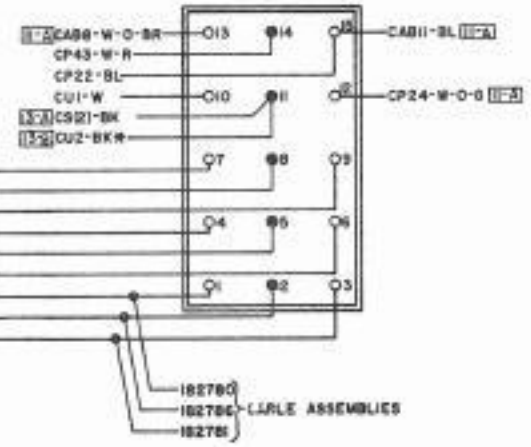
CAD
15 POINT RECEPTACLE CONNECTOR
182539
8



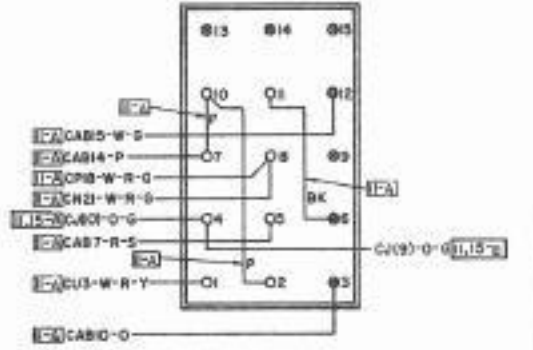
CAE
15 POINT RECEPTACLE CONNECTOR
182539
7



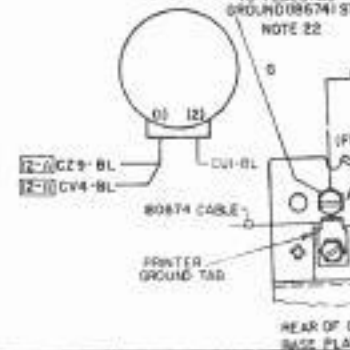
CAF
15 POINT RECEPTACLE CONNECTOR
182539
6



CAG
15 POINT RECEPTACLE CONNECTOR
182539
5-(NOTE 11)



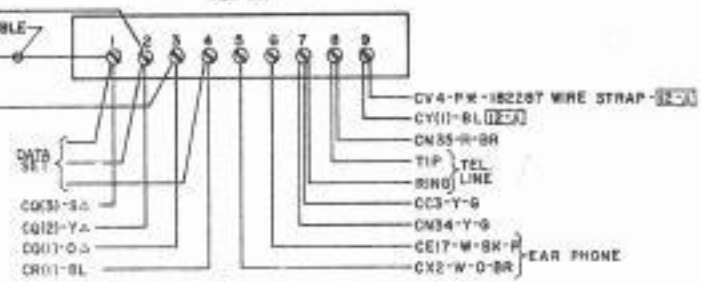
CY
ELAPSED TIME INDICATOR
181265



POWER CABLE
182510



CZ
POWER TERMINAL BLOCK
151411



SEE ISSUE CONTROL RECORD FOR CABLE PLATE LIST OF SHEETS COMPRISING THIS AND NOTES ON SHEET 1 SHEET 4

ACTUAL WIRING DIAGRAM FOR CALL CONTROL UNIT UCC-3 B (UCC32 MODEL 35 B LEVEL) AUTOMATIC SEND-RECEIVE (ASR) SEND-RECEIVE (KSR)

APPROVALS

D AND R E OF M

E-NUMBER

PROJ. NO. 7888 WD

DATE 10-22-68

R.D. FILE NO. 0-4152AA

DRAWN R.H.S. CHKD. J.E.

EMSD. J.W.S. APPD. J.E.

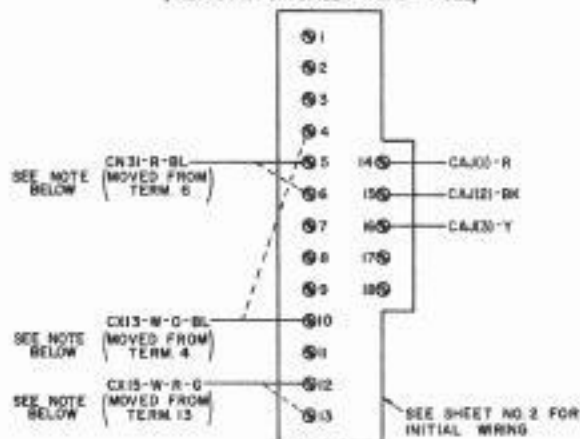
TELETYPE CORPORATION

DC ROTARY DIALER
DC PULSING CARD DIALER

DIALER WIRING TABLE

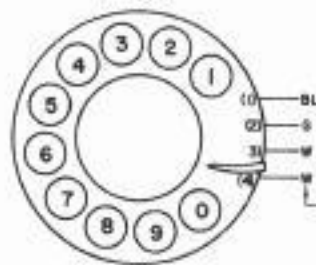
CE TERMINAL STRIP TERMINATION	ROTARY DIALER 182500 ONLY	ROTARY DIALER-182500 & DC CARD DIALER-182622	CAH, CAK WIRE CODE DESIGNATIONS	CAH, CAK WIRE CODE DESIGNATIONS
8		CAH(1)-BL, CAK(3)-BL, CAK(6)-BL		
14	CAH(2)-G	CAH(2)-G, CAK(4)-R		
15	CAH(1)-BL	CAK(5)-G		
17	CAH(3)-W	CAH(3)-W, CAK(1)-W		
18	CAH(4)-W	CAH(4)-W, CAK(2)-W		

CE
TERMINAL STRIP
182717
(CE TO CAH, CAK WIRE TERMINATIONS)
(ARE FOUND ON DIALER WIRING TABLE)

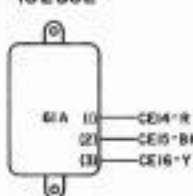


NOTE
WIRING CHANGE REQUIREMENTS ON 182717
TERMINAL STRIP FOR DIALER OPERATION
REMOVE R-BL WIRE FROM TERM 6 AND CONNECT TO TERM 5
REMOVE W-O-BL WIRE FROM TERM 4 AND CONNECT TO TERM 10
REMOVE W-R-G WIRE FROM TERM 13 AND CONNECT TO TERM 12

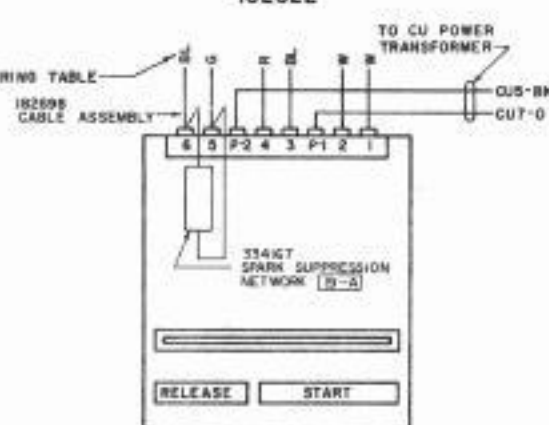
CAH
ROTARY DIALER
182500



CAJ
FILTER
182532



CAK
DC CARD DIALER
182622



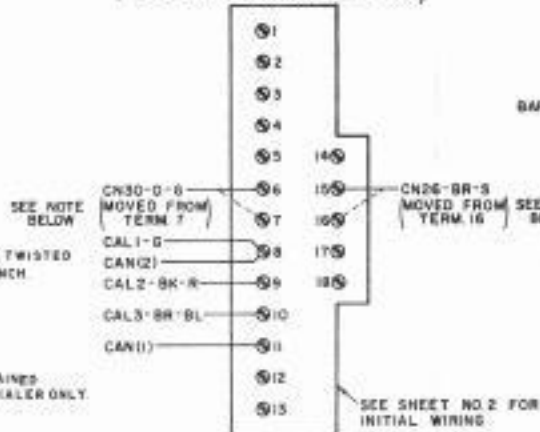
TOUCH TONE DIALER
TOUCH TONE CARD DIALER

DIALER WIRING TABLE

CE TERMINAL STRIP TERMINATION	TOUCH TONE MANUAL DIALER 186595 OR 182620		TOUCH TONE CARD DIALER 186596 OR 182621		CAH
	OLD STYLE WIRE TERMINAL & COLOR CODE	NEW STYLE WIRE TERMINAL & COLOR CODE	OLD STYLE WIRE TERMINAL & COLOR CODE	NEW STYLE WIRE TERMINAL & COLOR CODE	
1	M-N	7-W-P-G	M-N	7-O	
2	M-N	8-P	M-N	8-BL-BK	
3	M-N	9-W-P-P	M-N	9-P-BL	9-P-BL
4	M-N	13-W-R-R	M-N	13-BL-BK	13-G-W
5	M-N	4-R	M-N	4-R	4-R
6	M-N	12-Y	M-N	12-W-G	12-R-G
8	M-N	1-G	M-N	1-G	1-G
10	M-N	7-W-P-G	M-N	7-O	
11	M-N	6-W-O-BK	M-N	6-O-BK	6-O-BK
12	M-N	2-W	M-N	2-W	2-W
13	M-N	8-BL	M-N	8-BL	11-W-BL
14	M-N	10-W-BK	M-N	10-BK	10-BK

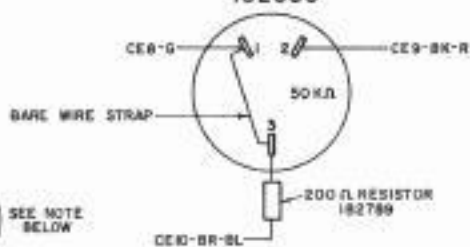
M-COLUMN: CONNECTIONS WITHOUT DIAL TONE DETECTION (DATA SET)
N-COLUMN: CONNECTIONS WITH DIAL TONE DETECTION (DATA SET)
WHITE COLOR MAY OR MAY NOT BE PRESENT IN MULTIPLE COLOR CODED WIRES
CURRENT STYLE DIALERS MAY NOT CONTAIN WIRE TERMINATION NUMBERS

CE
TERMINAL STRIP
182717
(CE TO CAM WIRE TERMINATIONS ARE
FOUND ON DIALER WIRING TABLE)

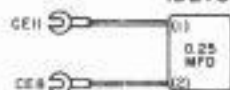


NOTE
WIRING CHANGE REQUIREMENTS ON 182717
TERMINAL STRIP FOR DIALER OPERATION
REMOVE O-G WIRE FROM TERM 7 AND CONNECT TO TERM 6
REMOVE BR-S WIRE FROM TERM 16 AND CONNECT TO TERM 15

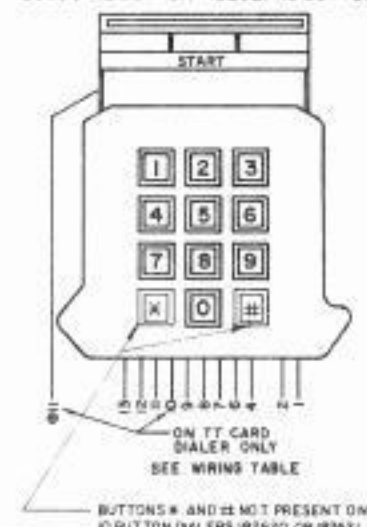
CAL
VOLUME CONTROL
ASSEMBLY
182686



CAN
CAPACITOR
182799



CAM
TOUCH TONE DIALER
186595-12 BUTTON - 182620-10 BUTTON
TOUCH TONE CARD DIALER
186596-12 BUTTON - 182621-10 BUTTON



SEE ISSUE CONTROL RECORD FOR COMPLETE LIST OF SHEETS COMPRISING THIS NO.

NOTES ON SHEET 1
SHEET 5

ACTUAL WIRING DIAGRAM FOR CALL CONTROL UNIT UCC-5 & UCC-32 MODEL 33 B LEVEL AUTOMATIC SEND-RECEIVE (ASR) SEND-RECEIVE (KSR)

APPROVALS

D AND R E OF M

E-NUMBER
PROD. NO. 7888 WD
DATE 10-25-65
RD. FILE NO. G-A152AA
DRAWN H.M.B. CHMD. J.W.S.
ENGR. J.W.S. APPD. J.W.S.

TELETYPE CORPORATION

7888 WD

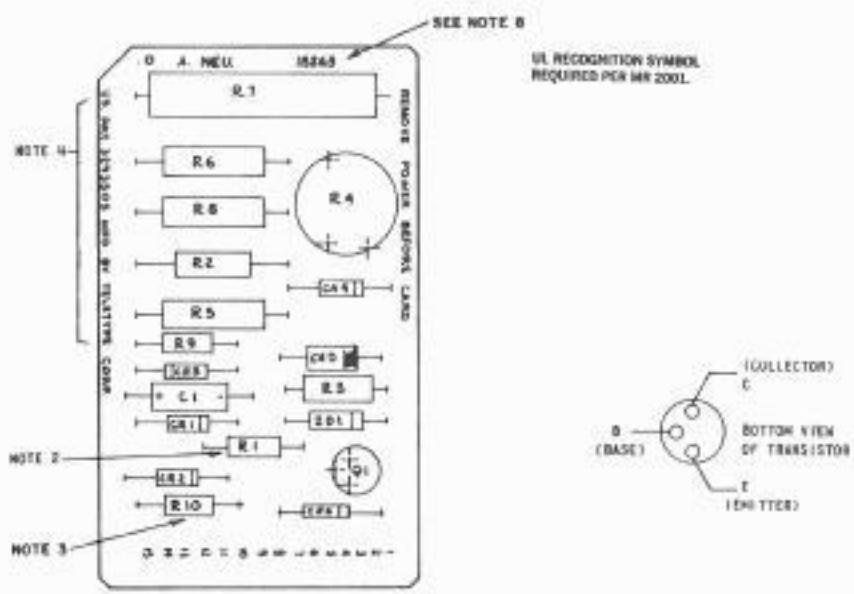
7888 WD

REVISIONS

ISSUE	DATE	AUTH. NO.
1	2-23-68	17470-R
2	11-12-68	9284 RC
3	2-22-67	9803-1
4	5-2-68	95802-RC
5	12-16-68	96463
6	1-27-69	98776
7	5-15-69	99164

NOTE:
REVISION INFORMATION MUST ALSO BE REFLECTED ON THE ISSUE CONTROL RECORD WHICH IS A PART OF THIS DRAWING

- NO. NOTES
1. MASTER DRAWING NO. 15 182630A, 182631A, 182632A, PRINTING SCREENS ARE AVAILABLE IN R AND D OFFICE SERVICE SECTION.
 2. THE SELECTION OF THIS RESISTOR DEPENDS ON THE APPLICATION IN WHICH THE DRIVER IS TO BE USED.
 3. R10 IS USED ON 182630 ASSEMBLY ONLY.
 4. RAISE R2, 5, 6, 7, 8 1/32 TO 1/16 ABOVE CIRCUIT CARD.
 5. THE 336470 STRAP IS USED ON THE 182631 AND 182632 ASSEMBLIES.
 6. SEE 5983ND FOR APPROPRIATE POWER INPUT.
 7. DIODE CR6 WAS ADDED TO PROTECT Q1 FROM DESTRUCTION BY ACCIDENTAL GROUNDING OF THE COLLECTOR OF Q2. 181653 DIODE WAS USED FIRST BUT CHANGED TO 199442 TO REDUCE "LEAKAGE" CURRENT DURING SPACING PULSES.
 8. 020 A NEU 182630
040 A NEU 182631
040A NEU 182632
 9. TO FACILITATE MANUFACTURE THE COMPONENT LAYOUT WAS CHANGED INCLUDING R-1 AND CR-5 WHICH WAS CHANGED FROM VERTICAL MOUNTING.



UL RECOGNITION SYMBOL REQUIRED FOR MR 2001.

CIRCUIT CARD ASSEMBLY

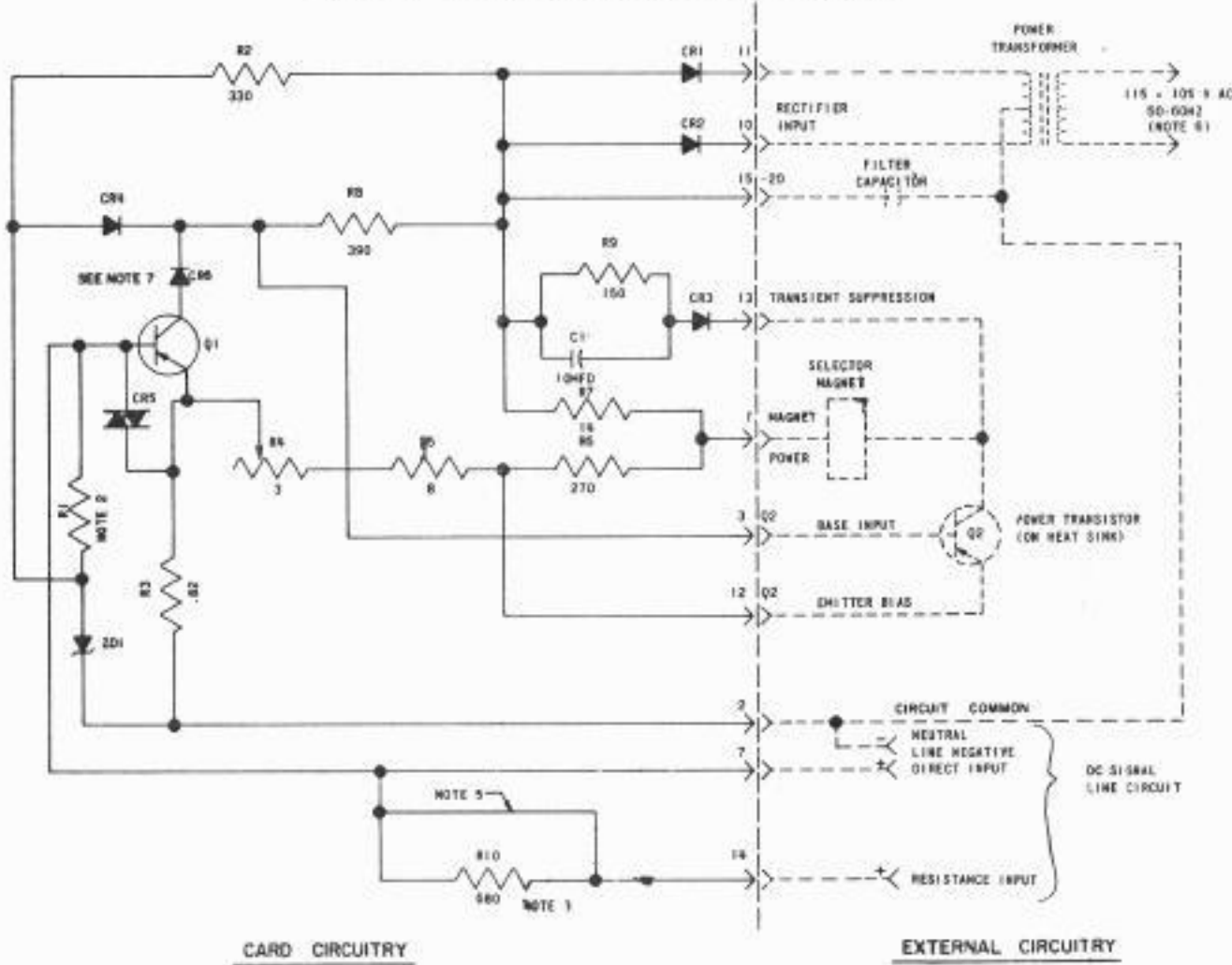
REF. DESIG.	TELETYPE PART NO.	TOTAL QTY.	NAME & DESIGNATION	LOCATING FUNCTION	USED ON	FOR
R1	182779	1	RESISTOR 420 OHMS 1/2W	010 AMP. SWITCHING	182630	020A NEUTRAL LINE
"	182797	1	RESISTOR 130 OHMS 1/2W	030 AMP. SWITCHING	182631	060A " "
"	182180	1	RESISTOR 200 OHMS 1/2W	020 AMP. SWITCHING	182632	040A " "
R10	182777	1	RESISTOR 680 OHMS 1/2W	INPUT CURRENT LIMITING	182630	DATA SET OPERATION
R10	336470	1	STRAP	030 AMP. SWITCHING	182631	060A NEUTRAL LINE
R10	336470	1	STRAP	020 AMP. SWITCHING	182632	040A " "
R2	181669	1	RESISTOR 330 OHMS 2 1/2W	ZENER CURRENT LIMITING		
R3	182778	1	RESISTOR 0.82 OHM 1/2W	COMMON EMITTER BIAS		
R4	182773	1	RHEOSTAT 3 OHMS 2 1/2W	OUTPUT CURRENT ADJUST		
R5	181717	1	RESISTOR 8 OHMS 5W	Q2 EMITTER BIAS		
R6	182770	1	RESISTOR 270 OHMS 4W	Q2 EMITTER BIAS		
R7	182772	1	RESISTOR 18 OHMS 10W	Q2 COLLECTOR LOAD		
R8	182627	1	RESISTOR 380 OHMS 4 W	Q2 COLLECTOR LOAD		
R9	182776	1	RESISTOR 150 OHMS 1/2W	Q2 COLLECTOR LOAD TRANSIENT LIMITING		
CR1	182520	2	DIODE 1N3193	POWER RECTIFIER		
CR2	182520	2	DIODE 1N3193	POWER RECTIFIER		
CR3	181619	2	DIODE 1N462	COLLECTOR TRANSIENT LIMITING		
CR4	181619	2	DIODE 1N462	VOLTAGE CLAMPING		
CR5	170844	1	VARIABLE 100A	INPUT PROTECTION		
CR6	199442	1	DIODE 1N270	SEE NOTE 7		
ZD1	182774	1	DIODE, ZENER 4.7V 5W 1/2W	REFERENCE		
C1	182628	1	CAPACITOR, 10 MFD, 25VDC	COLLECTOR TRANSIENT LIMITING		
Q1	181671	1	TRANSISTOR, HIGH GAIN	INPUT SWITCH		
EC	182775	1	CIRCUIT BOARD, ETCHED			

182630-35

REVISIONS

ISSUE	DATE	AUTH. NO.
1	8-8-52	30-1230
2	11-27-52	30-5388
3	12-17-52	30-5843
4	1-23-53	30-5580
5	3-29-54	61380
6	5-21-54	61791
7	4-26-55	65597
8	6-10-55	65597-2
9	9-19-55	68916
10	10-25-56	68808-1
11	12-14-56	62790
12	2-1-57	81101
13	5-3-57	92502
14	6-20-58	19358-R
15	7-3-58	95349
16	12-20-58	98266
17	8-10-70	834
18	3-3-71	8320
19	4-7-71	8447

CONSTANT CURRENT 500 SELECTOR MAGNET DRIVER



CIRCUIT DESCRIPTION

THE SELECTOR MAGNET DRIVER CIRCUIT IS POWERED FROM A SOURCE OF 117 VOLT ALTERNATING CURRENT THROUGH A STEP DOWN ISOLATION TRANSFORMER. DIODES CR1 AND CR2 PROVIDE FULL WAVE RECTIFICATION OF THE REDUCED VOLTAGE TO -20 VOLTS DC AT TERMINAL 15. THE CIRCUIT COMMON IS CONNECTED TO TERMINAL 2 AND A POWER SUPPLY FILTER CAPACITOR IS CONNECTED BETWEEN TERMINALS 2 AND 15.

THE DIRECT CURRENT SIGNAL LINE CIRCUIT IS CONNECTED THROUGH TERMINALS 7 AND 2. WITH AN ALTERNATE CONNECTION THROUGH R10 AT TERMINAL 14 PROVIDING A CURRENT LIMITING FUNCTION.

IN THE MARKING CONDITION, Q1 IS OFF-BIASED. WITH Q1 OFF, THE BASE OF Q2 WILL BE CLAMPED AT THE ZENER REFERENCE VOLTAGE BY DIODE CR4. THIS VOLTAGE CLAMP IS THEN TRANSLATED TO CURRENT REGULATION BY THE TRANSISTOR ACTION OF Q2. THE REGULATED MAGNET CURRENT IS ADJUSTED TO .500 AMPERES BY RHEOSTAT R4.

WITH THE SIGNAL LINE IN THE OPEN OR SPACING CONDITION, Q1 IS TURNED ON BY BASE CURRENT SUPPLIED THROUGH RESISTOR R1. THE POTENTIAL AT THE COLLECTOR OF Q1 WILL BE NEAR ZERO. OFF-BIASING Q2. WITH Q2 OFF, NO SELECTOR MAGNET CURRENT FLOWS, ALLOWING THE MAGNET TO RELEASE. DURING THE TURN OFF OF Q2 THE INDUCTIVE TRANSIENT DEVELOPED AT THE COLLECTOR IS SUPPRESSED BY THE NETWORK CONSISTING OF CR3, R9, AND C1.

"SNAP-ACTION" IS SUPPLIED TO THE CIRCUIT TRANSITIONS BY FEEDBACK IN THE EMITTER CIRCUITS OF TRANSISTORS Q1 AND Q2.

VOP

APPROVALS

D AND R HJK	E OF M
E-NUMBER	
PROC. NO. 182630-35	
DATE 8-2-52	
D.D. FILE NO. 30-158444	
DRN. E. R. H. G. W. D.	APPD.
ENGR. R. J. H.	APPD.

TELETYPE CORPORATION
182630-35

REF. DESIG.	PART NO.	QTY	DESCRIPTION
R1	182751	1	RESISTOR 3600 OHMS 1/2W
R2	159845	1	RESISTOR 43000 OHMS 1/2W
R3	129952	1	RESISTOR 2200 OHMS 1/2W
R4	137403	1	RESISTOR 510 OHMS 1/2W
R5	182753	1	RESISTOR 130 OHMS 1/2W
R6	182746	1	RESISTOR 140 OHMS 1 W
R7	118186	1	RESISTOR 5400 OHMS 1/2W
C1	146255	1	CAPACITOR 0.5MFD., 200VDC
C2	182747	2	CAPACITOR 50MFD., 10VDC
C3			SAME AS C2
C4	182749	1	CAPACITOR 1.0 MFD, 200VDC
C5	181448	1	CAPACITOR 0.1 MFD, 100VDC
C6	182178	1	CAPACITOR 120 MFD, 25VDC
C7	195239	1	CAPACITOR 10 MFD, 55VDC
CR1	182757	1	DIODE 400A
Q1	182744	1	TRANSISTOR, 12A
Q2	182745	1	TRANSISTOR, 16A
T1	182754	1	TRANSFORMER, 256A B
T2	182755	1	TRANSFORMER, 256A AB
TP	524147	1	PAD, TRANSISTOR MOUNTING
TP	144495	1	PAD, TRANSISTOR MOUNTING
EC	182743	1	ETCHED CIRCUIT BOARD

NOTE: MANUFACTURE PER MR2001

NO. NOTES

1. COMPONENTS ON CIRCUIT SHOULD NOT BE CHANGED WITHOUT PRIOR APPROVAL OF THE BELL TELEPHONE LABORATORIES.

2. TRANSISTOR Q1 TO BE MOUNTED ON 144495 TRANSISTOR PAD.

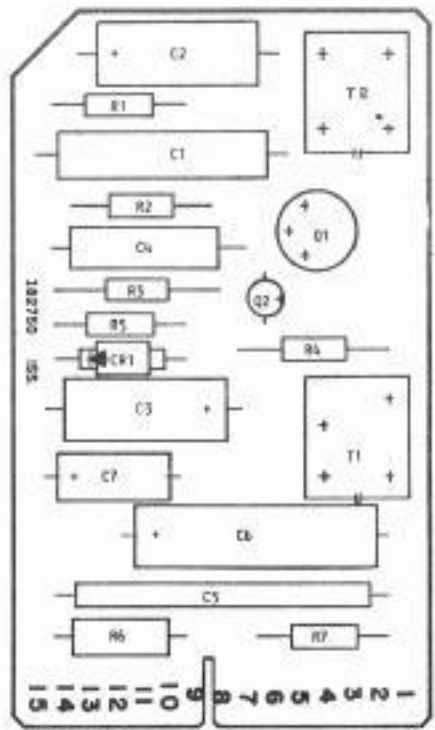
3. TRANSISTOR Q2 TO BE MOUNTED ON 524147 TRANSISTOR PAD.

4. AT ASSEMBLY ISSUE 13 COMPONENT LOCATIONS WERE CHANGED TO SEPARATE THE INPUT AND OUTPUT CIRCUITS AND THEREBY ELIMINATE AN AUDIO FEED BACK CONDITION. AT THIS TIME THE FOLLOWING CIRCUIT CHANGES WERE ALSO MADE:
 A. C6 RELOCATED FROM DASHED LOCATION SHOWN. THE VOLTAGE AND CAPACITANCE RATINGS WERE CHANGED FROM 100MFD, 50VDC TO 120MFD, 25VDC.
 B. VOLTAGE RATINGS OF C4 CHANGED FROM 200VDC TO 100VDC.

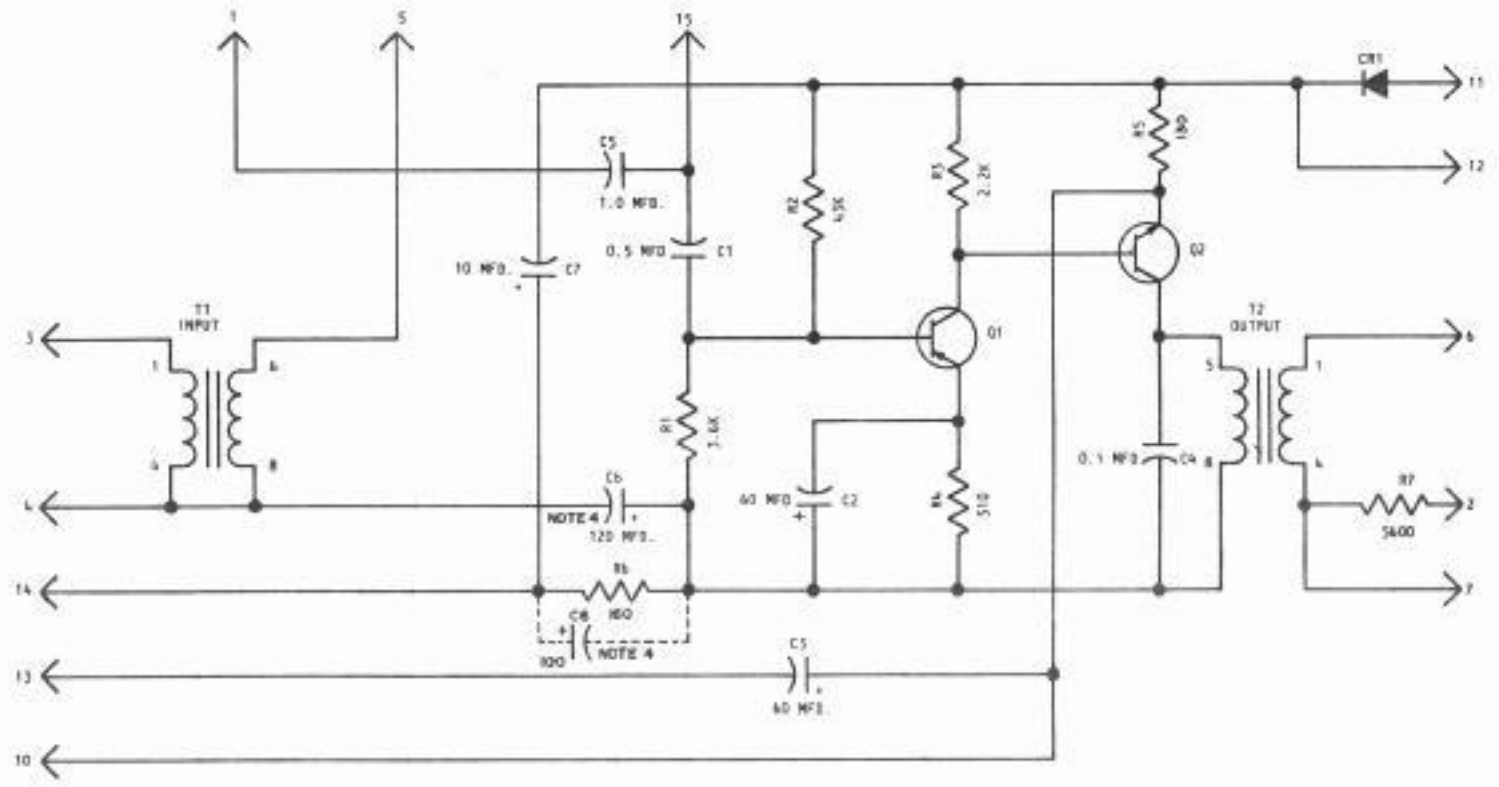
5. PRINTING SCREEN TO BE MADE FROM MASTER ARTWORK NUMBER 182750AW. ARTWORK AVAILABLE IN R AND D OFFICE SERVICE SECTION.

SIMILAR TO:

UL RECOGNITION SYMBOL REQUIRED PER MR 2001.



THIS IS A TWO STAGE, DIRECT-COUPLED, TRANSISTORIZED AUDIO AMPLIFIER. SIGNALS MAY BE FED INTO THE AMPLIFIER BY THE IMPEDANCE MATCHING TRANSFORMER T₁ OR BY THE INPUT COUPLING CAPACITOR C₅. THE INPUT SIGNAL (EITHER FROM T₁ OR C₅) IS COUPLED INTO THE FIRST STAGE OF AUDIO AMPLIFICATION (Q₁) THROUGH C₁. THE OUTPUT SIGNAL IS DIRECTLY COUPLED INTO THE SECOND AND LAST STAGE OF THE AMPLIFIER (Q₂). Q₂ IS A SILICON TRANSISTOR TO MINIMIZE LEAKAGE CURRENT PROBLEMS. THE OUTPUT SIGNAL CAN BE TAKEN DIRECTLY OFF THE EMITTER, TAKEN OFF THE EMITTER THROUGH C₅, COUPLED DIRECTLY OFF THE SECONDARY OF THE OUTPUT TRANSFORMER (T₂), OR COUPLED OFF THE SECONDARY OF THE OUTPUT TRANSFORMER THROUGH A 5400 OHM RESISTOR.



REVISIONS		
ISSUE	DATE	AUTH. NO.
12	3-20-68	98294
13	5-7-70	8
14	11-30-70	3461
15	2-17-71	2548
16	3-3-71	2320
17	1-11-72	4755
18	3-7-72	5603
19	3-7-72	603RC

CIRCUIT CARD

MC

APPROVALS

PROJ. ED-W	PROJ. DIR.	SFS. REL. COMPL.
J. J. P.		

ENGR. C. P. DEBNA, E. C. P.
 DRG. D. H. J. DATE 11-25-67

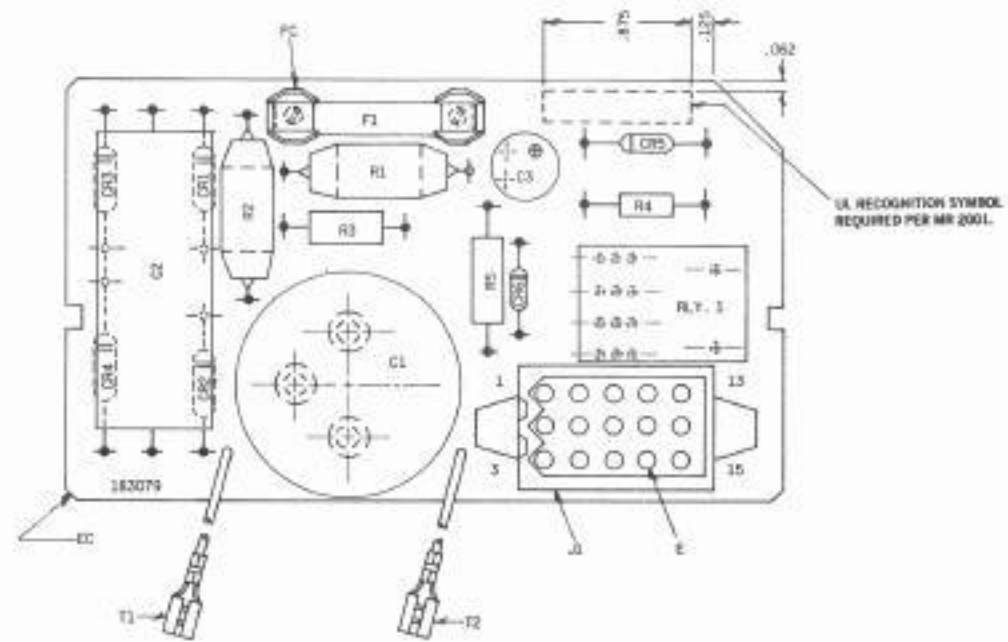
E-NUMBER
 9D-CD NO. 182750
 R & D FILE 1-85,133AA

TELETYPE

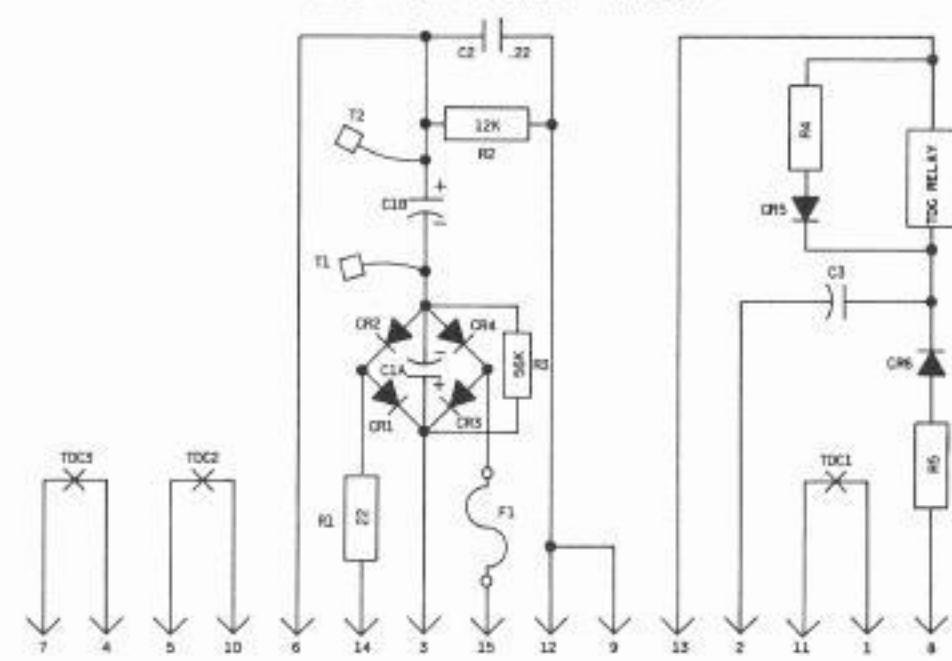
182750

REF. DESIG.	PART NO. REQ.	QTY	DESCRIPTION	FUNCTION	NO.	NOTES
R1	183083	1	RESISTOR, 22 OHM	SURGE LIMITER	1.	MASTER AIRWORK NO.: 183079AK FOR PRINTED SCREENING AVAILABLE IN R&D OFFICE SERVICE SECTION.
R2	183082	1	RESISTOR, 12,000 OHM	ARC SUPPRESSOR		
R3	118198	1	RESISTOR, 56,000 OHM	BLEEDER		
R4	118190	1	RESISTOR, 10,000 OHM	ARC SUPPRESSOR		
R5	144464	1	RESISTOR, 220 OHM (NOTE 4)	VOLTAGE DROPPING		
C1	183078	1	CAPACITOR, DUAL SECTION A - 200 MFD, 200V DC B - 9 MFD, 200V DC	POWER SUPPLY FILTER SURGE SOURCE	2.	SOME PREVIOUS CIRCUIT CARD ASSEM. USED 1/2 AFD. 3/4 AFD. IS PREFERABLE.
C2	183084	1	CAPACITOR, .22 MFD	ARC SUPPRESSOR		
C3	183123	1	CAPACITOR, .15 MFD	FILTER		
CR1	181654	6	DIODE, 400V	POWER SUPPLY RECTIFIER	3.	COMPONENT LAYOUT WAS CHANGED TO ALLOW FOR NEW STYLE CAPACITOR WITH VENT.
CR2			SAME AS CR1	POWER SUPPLY RECTIFIER		
CR3			SAME AS CR1	POWER SUPPLY RECTIFIER		
CR4			SAME AS CR1	POWER SUPPLY RECTIFIER		
CR5	181654		SAME AS CR1	ARC SUPPRESSOR		
CR6	181654		SAME AS CR1	RECTIFIER		
F1	143630	1	FUSE, 3/4 A.F.B.	POWER SUPPLY PROTECTION (SEE NOTE 2)	4.	R5 CHANGED FROM 470 OHM DR. TO 220 OHM, 1 WATT ON ASSEM. LATER THAN ISSUE 12. CARD ASSEM. ISSUE 13 AND HIGHER ARE SUITABLE FOR ALL APPLICATIONS. CARD ASSEM. LOWER THAN ISSUE 13 PROVIDE LESS OPERATING MARGIN WHEN USED IN MODEL 36 SETS OR IN MODEL 33 SETS WITH INTEGRAL DATA SETS.
PC	171595	2	FUSE CLIP			
T1	183095	2	TERMINAL WITH WIRE LEAD		CIRCUIT DESCRIPTION	THIS POWER PACK CONSISTS OF A 150 VOLT POWER SUPPLY OPERATING DIRECTLY FROM THE 117V AC LINE, A WAVE SHAPING NETWORK, AND AN ARC SUPPRESSOR. IT IS DESIGNED TO OPERATE WITH AN INDUCTIVE LOAD OF APPROXIMATELY 100 OHMS BETWEEN TERMINALS 6 AND 12, WITH A 850 OHM, 40 WATT RESISTOR CONNECTED BETWEEN T1 AND T2.
T2			SAME AS T1			
J1	182540	1	CONTACT BLOCK, 15 POINT			
E	182541	15	TERMINAL, MALE P.C.			
EC	183137	1	ETCHED CIRCUIT BOARD			
RYL 1	163088	1	RELAY, 2, 100 OHM	AUTOMATIC READER CONTROL		
	351837	2	SCREW, 4-40 FTL, HEAD			
	110743	2	LOCKWASHER, 4-40			
	351890	2	NUT			

SIMILAR TO:



POWER PACK ASSEMBLY W/RELAY



REVISIONS		
ISSUE	DATE	AUTH. NO.
13	1-13-72	4350

CIRCUIT CARD
EC 183079
POWER PACK ASSEMBLY
W/RELAY

APPROVALS		
PROJ. SUPV.	PROJ. DIR.	MFG. REL. COMPL.
		(Signature)
ENGR. T. Y.	OSGWR.	
DRN. P. R.	DATE 8-4-72	
E-NUMBER		
SD-CO NO.		
R&D FILE	1-47-60.4A	

TELETYPE
183079

