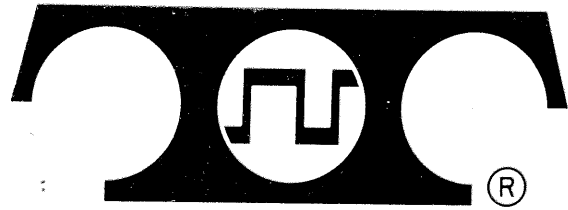


TELETYPE



NOTE. REVISION INFORMATION MUST ALSO BE REFLECTED ON THE ISSUE CONTROL RECORD, WHICH IS PART OF THIS W.D.

6353WD

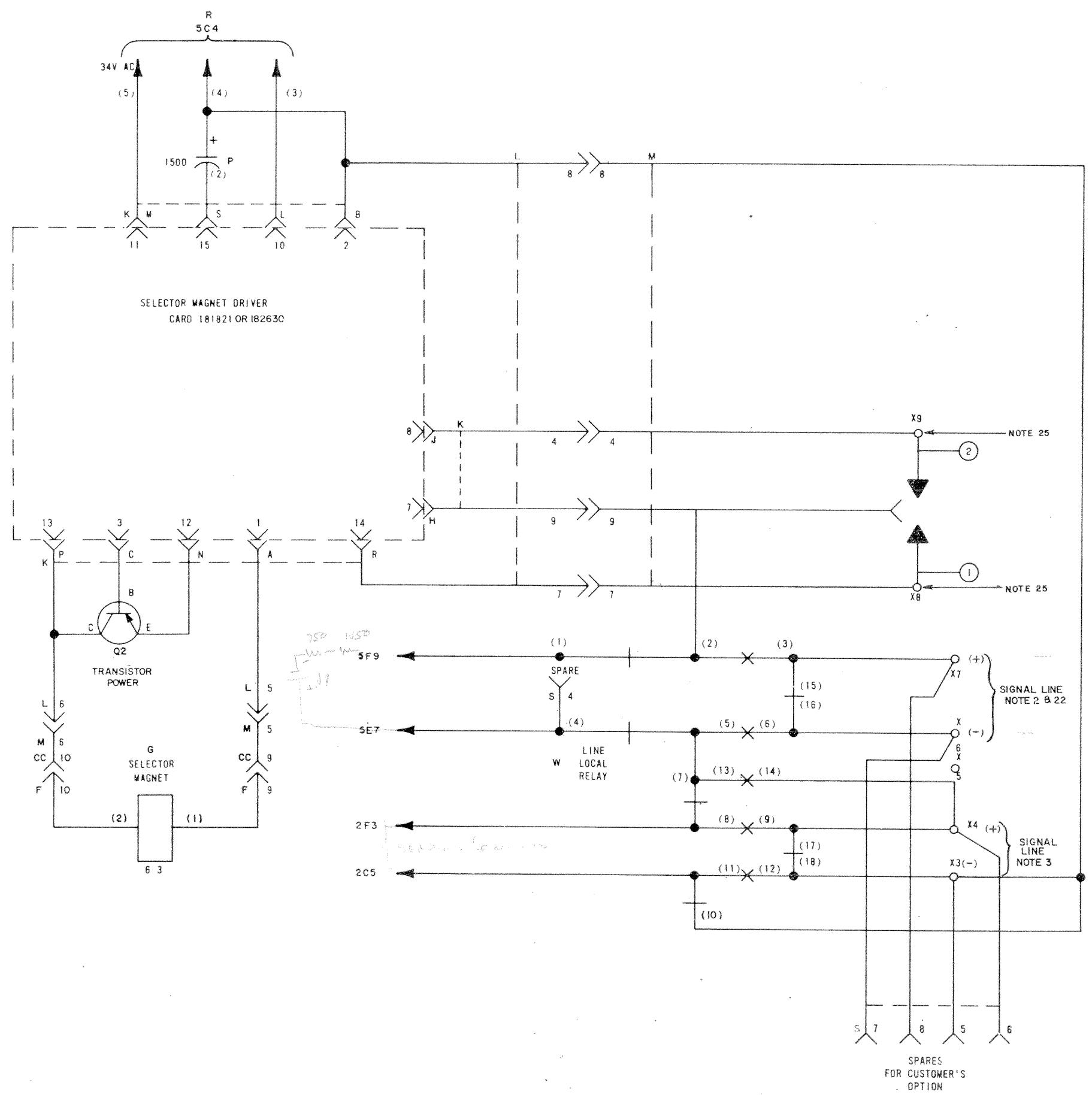
REVISIONS		
ISSUE	DATE	AUTH. NO.
2	11-20-63	79266
3	1-8-64	79934
4	4-9-64	81640
5	6-9-64	81773
6	11-27-64	84602
7	2-15-65	84599-1
8	3-15-65	85643
9	8-6-65	85293
10	10-15-65	88988
11	12-17-65	89007
12	1-13-66	88841-3
13	2-17-66	90357
14	3-9-66	89721-2
15	3-29-66	90790
16	5-2-66	90374
17	5-10-66	90360
18	10-12-66	90771
19	10-19-66	92181
20	12-28-66	92962
21	5-26-67	94704
22	8-23-67	94003-D
23	8-24-67	94780-D
24	1-16-68	94976
25	1-24-69	96776
26	4-16-69	99079
27	5-20-69	99243
28	9-9-69	99474
29	7-29-70	99957
30	1-22-71	419
31	5-14-71	2787

- NO. NOTES
- FOR ACTUAL WIRING DIAGRAM SEE 6354WD.
 - THE SET IS SHOWN WIRED FOR SIMPLEX .060 AMP. NEUTRAL SIGNAL LINE ON TERMINALS 6 AND 7 OF THE 151411 TERM. STRIP. FOR .020 AMP. NEUTRAL SIGNAL LINE MOVE THE P WIRE FROM TERMINAL 8 TO TERMINAL 9 OF THE 151411 TERMINAL STRIP. ALSO MOVE THE BL WIRE FROM TERMINAL 3 OF THE POWER RESISTOR 181816 TO TERMINAL 4.
 - FOR FULL DUPLEX OPERATION CONNECT THE SEND SIGNAL LINE TO TERMINAL 4 AND 3 OF THE 151411 TERMINAL STRIP. MOVE THE W-BL WIRE FROM TERMINAL 4 TO 5 AND THE BR-Y WIRE FROM TERMINAL 3 TO 5 ON THE 151411 TERMINAL STRIP.
 - ON KSR SETS ALL ASSOCIATED READER WIRING IS NOT USED.
 - ALL CAPACITANCE VALUES IN MICROFARADS UNLESS OTHERWISE SPECIFIED.
 - ALL RESISTORS 1/2 WATT AND RESISTANCE VALUES IN OHMS UNLESS OTHERWISE SPECIFIED.
 - ON RO SETS USE 181836 PLUG ASSEMBLY.
 - THESE CONNECTIONS ARE MADE AS OPTIONS BY THE CUSTOMER AND OR THE FACTORY.
 - .060 AMP. SIGNAL LINE OPTION ①
.020 AMP. SIGNAL LINE OPTION ②
 - THIS IS AN 8 LEVEL UNIT.
 - THESE WIRES ARE IN THE DISTRIBUTOR CABLE AS SPARES. IF NOTE 19 APPLIES TAPE AND TIE BACK THESE WIRES.
 - THIS FUSE NOT INCLUDED ON SOME SETS. FUSE VALUES ARE AS FOLLOWS:

TRANSFORMER	FUSE	PART NO.
181879	1/2 AMP. SL-BL	117176
182657	8/10 AMP. SL-BL	162360
186651	1/2 AMP. SL-BL	117176
 - WIRING SHOWN AS KA 1S FOR EVEN PARITY KEYBOARDS.
 - FURNISH 115V AC ± 10%, 60 Hz EXCEPT 50 Hz ON 33TAB,TAH KSR SETS, 33TAC,TAJ, TBP,TDK,TDM, TES,ASR SETS AND 33TBM RO SETS.

MOTOR	FUSE VALUE	FUSE PART NO.
182241	2.0 AMPS.	138538
182267	1.8 AMPS.	329246
 - NETWORK 153631

470	0.11
-----	------
 - 60 CYCLE READER TRIP COIL RESISTANCE IS 630 Ω. 50/60 CYCLE READER TRIP COIL RESISTANCE CHANGED FROM 630 Ω TO 780 Ω FOR IMPROVED 50 CYCLE OPERATION.
 - LOW PAPER ALARM CONTACTS NOT FOUND IN ALL UNITS. CONTACT RATING 4 AMP. AT 30V. D.C.
 - TO CUSTOMER SUPPLIED ALARM.
 - AA,AB,AJ,AK, REFER TO MANUAL READER, BA,BB,BJ,BK, REFER TO AUTOMATIC READER.
 - MAY NOT BE FOUND ON EARLY UNITS.
 - 33TDY TO BE WIRED FOR .020 AMP. SIGNAL LINE OPERATION.
 - FOR CUSTOMER USE REQUIRES 48 VAC. POWER SUPPLY.
 - THE 186556 ELAPSED TIMER ASSEMBLY IS USED ON UP848 AND UP856
- NOTES CONTINUED ON ISSUE CONTROL SHEET.



SEE ISSUE CONTROL RECORD FOR COMPLETE LIST OF SHEETS COMPRISING THIS W.D.

SHEET 1 WDP

SHEMATIC WIRING DIAGRAM FOR MODEL 33 ASR, KSR, RO DC SIGNAL LINE

APPROVALS

D AND R	E OF M
---------	--------

E-NUMBER

PROD. NO. 6353WD

DATE 4-24-67

P.D. FILE NO. 2-30 152/153AA

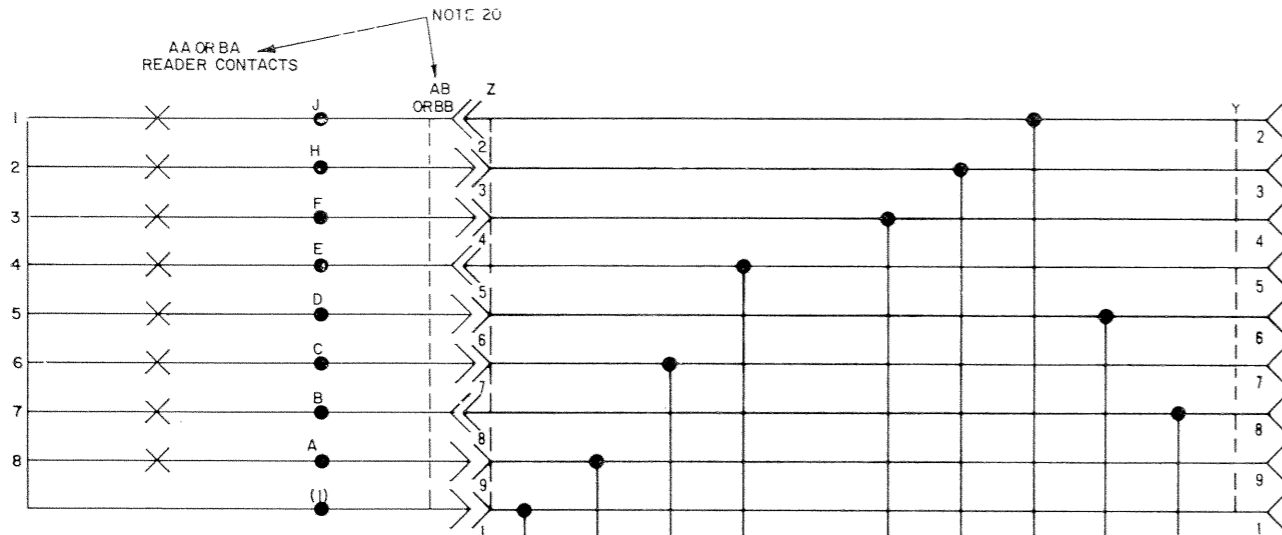
DRAWN JER.	CHKD.
ENGD. AS.	APPD.

TELETYPE CORPORATION

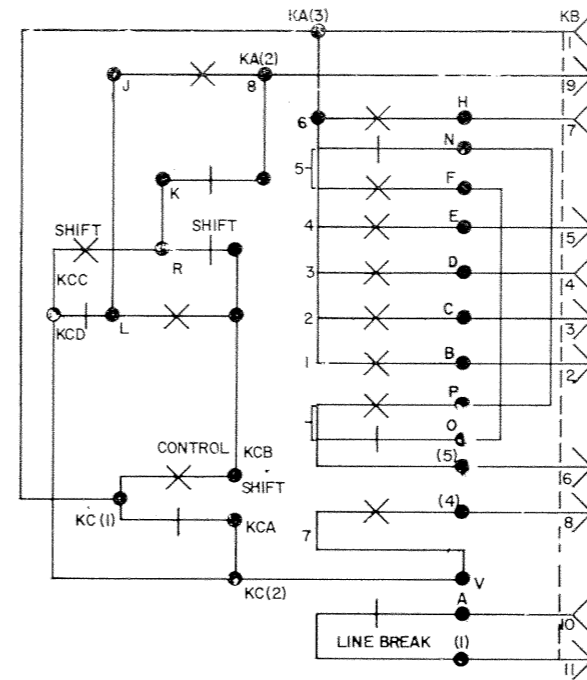
6353WD

SEE SHEET 1 FOR NOTES

NOTE: REVISION INFORMATION MUST ALSO BE REFLECTED ON THE ISSUE CONTROL RECORD, WHICH IS PART OF THIS W D.

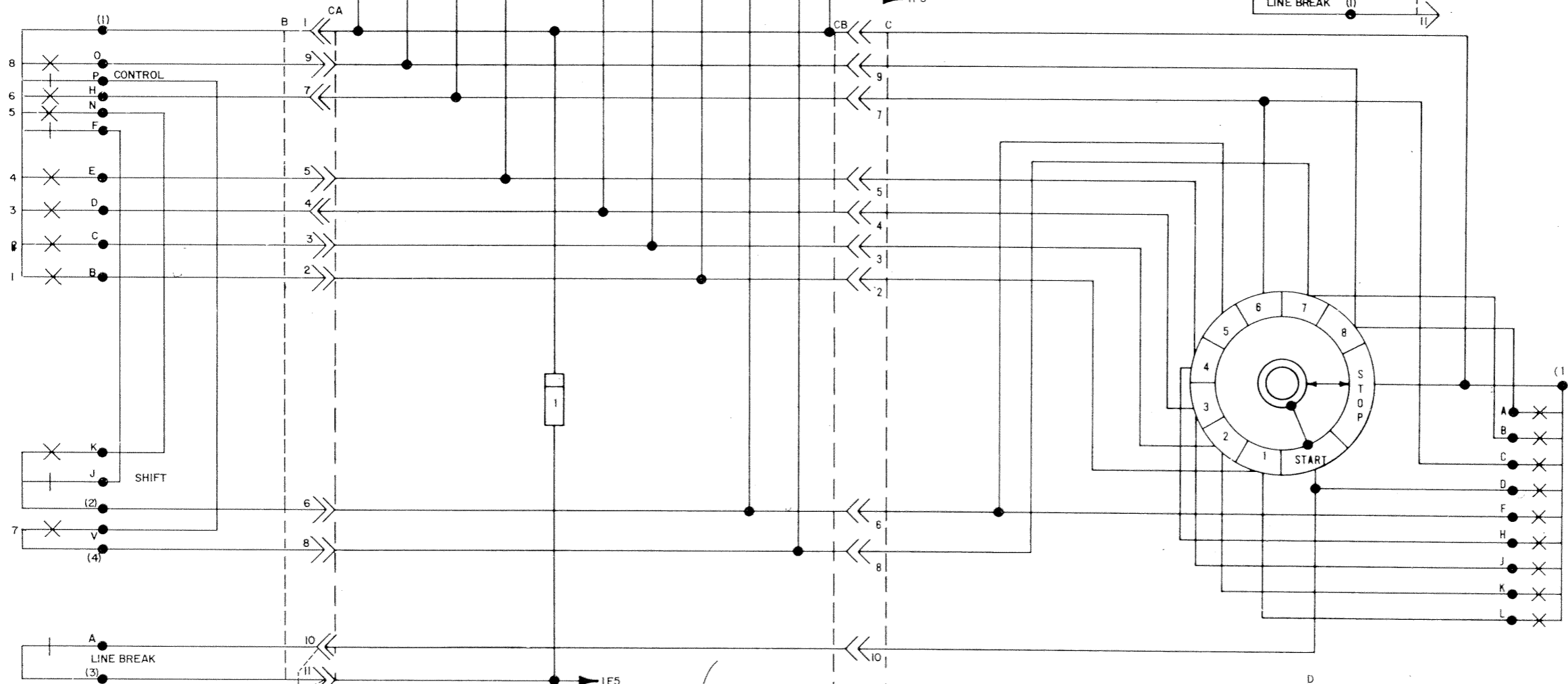


SPARES FOR CUSTOMER'S OPTION



KA AND KC PARITY KEYBOARD CONTACT ARRANGEMENT

A KEYBOARD CONTACT ARRANGEMENT



SEE ISSUE CONTROL RECORD FOR COMPLETE LIST OF SHEETS COMPRISING THIS W D

6353WD

REVISIONS

ISSUE	DATE	AUTH. NO.
2	11-20-63	79266
3	1-8-64	79934
4	4-9-64	81640
5	6-9-64	81773
6	11-27-64	84602
7	2-15-65	84599-1
8	3-15-65	85643
9	8-6-65	88293
10	10-15-65	88963
11	12-17-65	89007
12	1-13-66	88841-3
13	2-17-66	90357
14	3-9-66	89721-2
15	3-29-66	90790
16	5-2-66	90374
17	5-10-66	90380
18	10-12-66	90771
19	10-19-66	92181
20	12-28-66	93862
21	3-29-67	93853
22	8-23-67	94003-1D
23	1-24-69	96776

E-ANSWER BACK CONTACTS

SHEET 2

SCHEMATIC WIRING DIAGRAM FOR MODEL 33 ASR, KSR, RO DC SIGNAL LINE

APPROVALS

D AND R	E OF M
---------	--------

E-NUMBER

PROD. NO. 6353WD

DATE 4-12-67

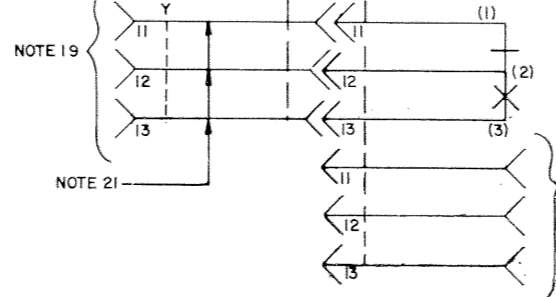
P.D. FILE NO. 2-30.152/153AA

DRAWN JR CHKD.

ENGD. AS APPD.

TELETYPE CORPORATION

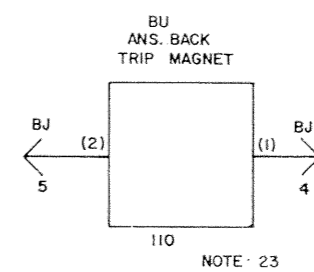
6353WD



Q PAPER OUT ALARM NOTE 18

NOTE 11

D DISTRIBUTOR DISC



NOTE 23

SEE SHEET ONE FOR NOTES

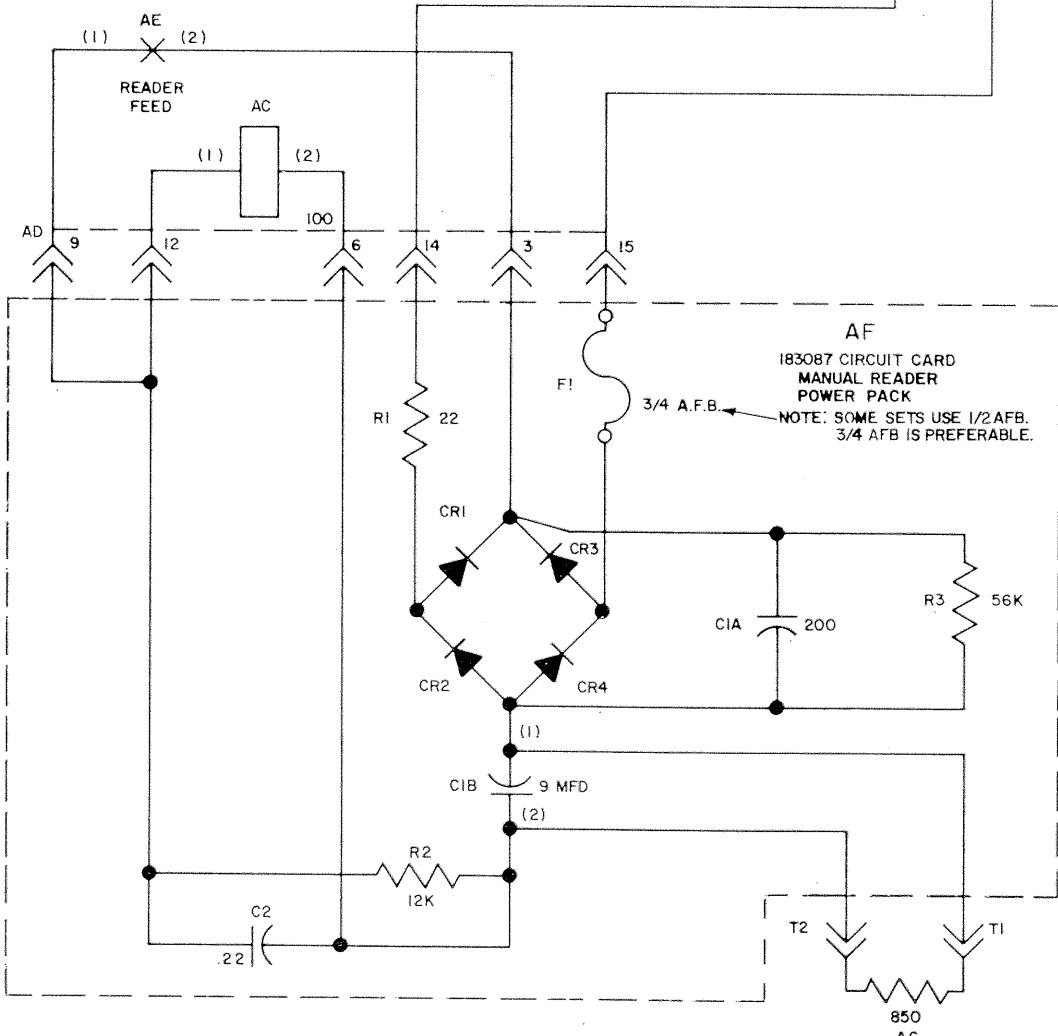
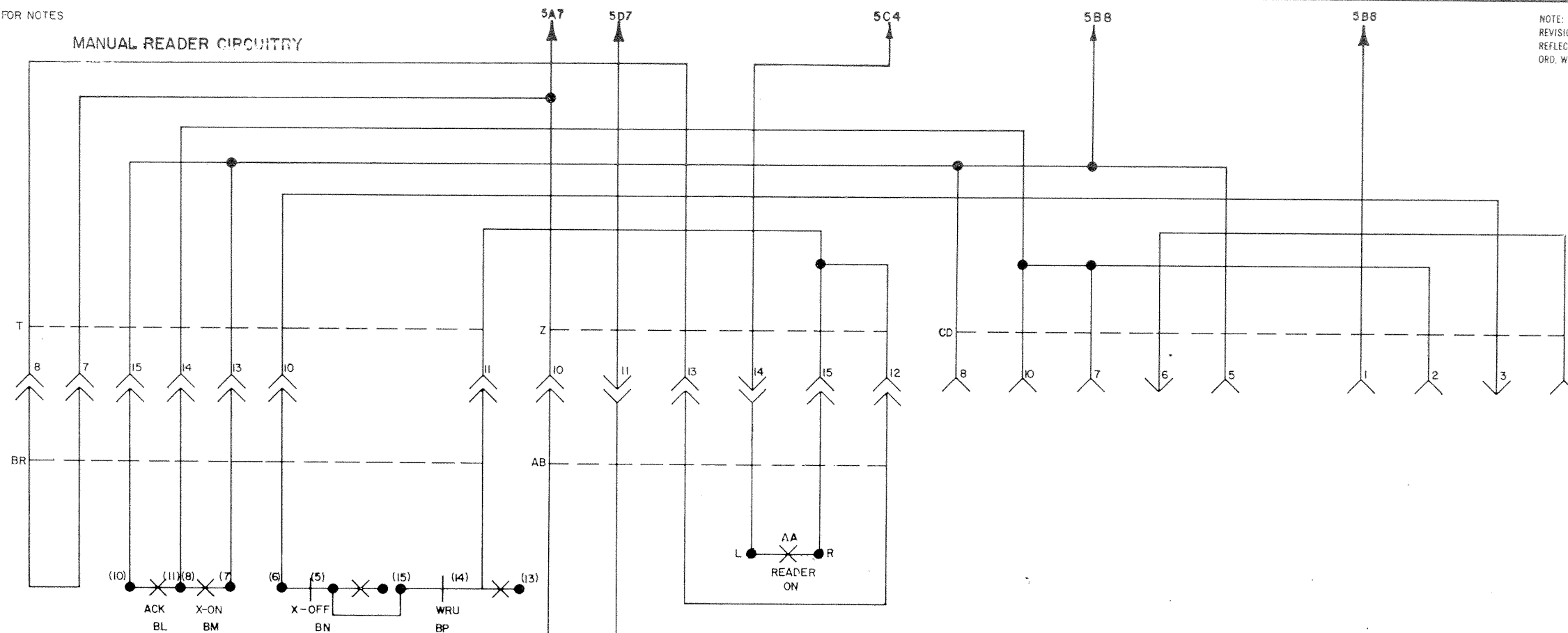
MANUAL READER CIRCUITRY

NOTE:
REVISION INFORMATION MUST ALSO BE
REFLECTED ON THE ISSUE CONTROL REC-
ORD, WHICH IS A PART OF THIS DRAWING.

6353WD

REVISIONS

ISSUE	DATE	AUTH. NO.
2	11-20-63	79266
3	1-8-64	79934
4	4-9-64	81640
5	6-9-64	81773
6	11-27-64	84602
7	2-15-65	84599-1
8	3-15-65	85643
9	8-6-65	88293
10	10-15-65	88983
11	12-17-65	89007
12	1-13-66	89841-3
13	2-17-66	90357
14	3-9-66	90721-2
15	3-29-66	90790
16	5-2-66	90374
17	5-10-66	90380
18	10-12-66	90771
19	10-19-66	92181
20	12-28-66	92962
21	8-22-68	95993
22	9-17-69	99187
23	2-10-70	99187-2
24	3-31-70	170



SEE ISSUE CONTROL RECORD FOR COM-
PLETE LIST OF SHEETS COMPRISING THIS
WD.

SHEET 3

WDP

SCHEMATIC
WIRING DIAGRAM
FOR
MODEL 33
ASR, KSR, RO
DC SIGNAL LINE

APPROVALS

D AND R	E OF M
---------	--------

E-NUMBER

PROD. NO. 6353 WD

DATE 4-28-67

P.D. FILE NO. 2-30.152/153AA

DRAWN JER.

CHKD.

ENGD. AS.

APPD.

TELETYPE
CORPORATION

6353WD

SEE SHEET ONE FOR NOTES

AUTOMATIC READER CIRCUITRY

NOTE
REVISION INFORMATION MUST ALSO BE
REFLECTED ON THE ISSUE CONTROL REC-
ORD WHICH IS A PART OF THIS DRAWING.

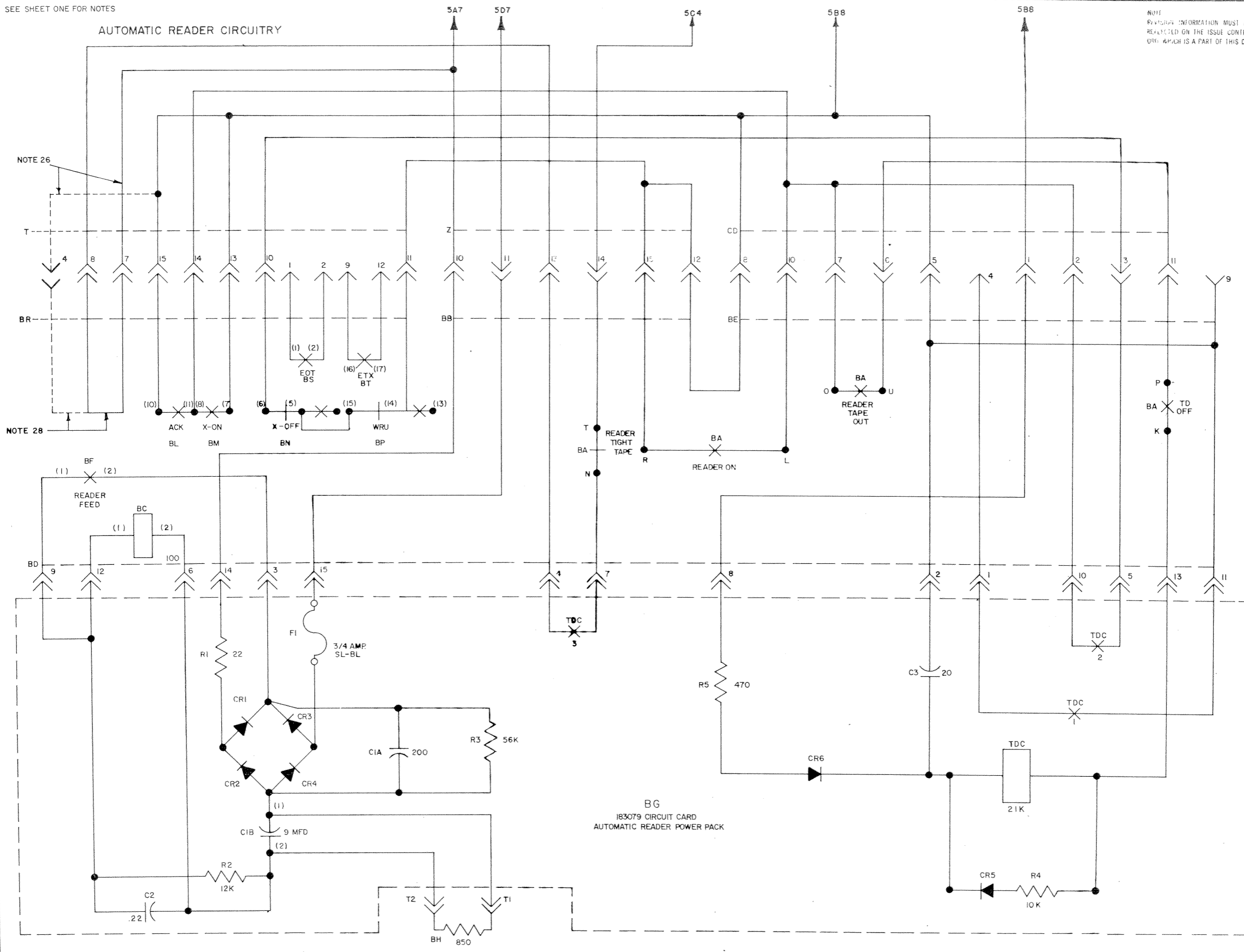
6353WD

REVISIONS

ISSUE	DATE	AUTH. NO.
2	11-20-63	79266
3	1-8-64	79934
4	4-9-64	81640
5	6-9-64	81773
6	11-27-64	84602
7	2-15-65	84599-1
8	3-15-65	85643
9	8-6-65	88293
10	10-15-65	88983
11	12-17-65	89007
12	1-13-66	88841-3
13	2-17-66	90357
14	3-9-66	89721-2
15	3-29-66	90790
16	5-2-66	90374
17	5-10-66	90380
18	10-12-66	90771
19	10-19-66	92181
20	12-28-66	92962
21	1-24-69	96776
22	10-1-69	99557
23	3-31-70	170
24	1-22-71	419

NOTE 26

NOTE 28



SEE ISSUE CONTROL RECORD FOR COMPLETE LIST OF SHEETS COMPRISING THIS WD

SHEET 4 WDP

SCHEMATIC
WIRING DIAGRAM
FOR
MODEL 33
ASR, KSR, MO
DC SIGNAL LINE

APPROVALS

D AND R E OF M
LDM

E-NUMBER

PROD. NO. 6353 WD

DATE 4-28-67

P.D. FILE NO. 2-30.152/153AA

DRAWN JER. CHKD.

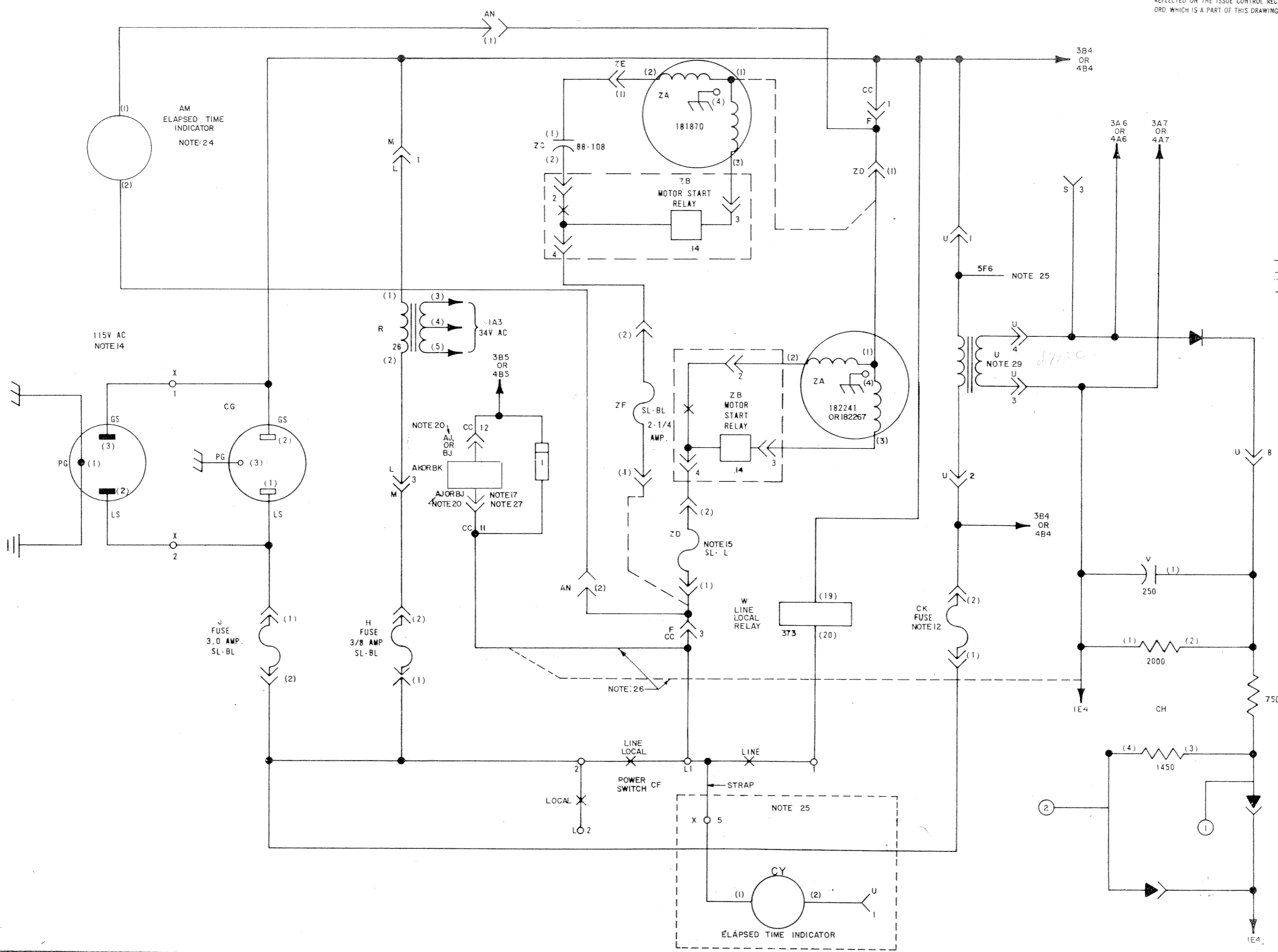
ENG. AS. APPD.

TELETYPE CORPORATION

6353WD

NOTE
REVISION INFORMATION MUST ALSO BE
REFLECTED ON THE ISSUE CONTROL REC-
ORD. WHICH IS A PART OF THIS DRAWING

6353WD		
REVISIONS		
ISSUE	DATE	AUTH. NO.
2	11-20-63	79266
3	1-8-64	79934
4	4-9-64	81640
5	6-9-64	81773
6	11-27-64	84602
7	2-15-65	84599-1
8	3-15-65	85643
9	8-6-65	88293
10	10-15-65	88983
11	12-17-65	89007
12	1-13-66	88841-3
13	2-17-66	90367
14	3-9-66	89721-2
15	3-29-66	90790
16	5-2-66	90374
17	5-10-66	90380
18	10-12-66	90771
19	10-19-66	92181
20	12-28-66	92962
21	12-21-67	95147-RQ
22	1-24-69	96776
23	5-19-68	99243
24	10-1-69	99557
25	3-31-70	170
26	1-22-71	419



SEE ISSUE CONTROL RECORD FOR COMPLETE LIST OF SHEETS COMPRISING THIS W.D.
SHEET 5

SCHEMATIC
WIRING DIAGRAM
FOR
MODEL 33
ASR, KSR, RO
DC SIGNAL LINE

APPROVALS
D AND R E OF M
E-NUMBER
PROD. NO. 6353 WD
DATE 4-23-67
P.D. FILE NO. 2-30152/153AA
DRAWN JR CHKD.
ENGD. A S APPD.

TELETYPE
CORPORATION
6353WD

REVISIONS		
ISSUE	DATE	AUTH. NO.
A 2	11-20-63	79266
B 3	1-8-64	79934
C 4	2-11-64	80310
D 5	3-16-64	81133
E 6	6-9-64	81772
F 7	11-27-64	84602
G 8	2-15-65	84599-1
H 9	3-15-65	85643
I 10	4-10-65	86573
J 11	8-6-65	88203
K 12	10-15-65	88983
L 13	12-17-65	89007
M 14	1-13-66	88941-3
N 15	3-9-66	89721-2
O 16	3-29-66	90790
P 17	5-10-66	90380
Q 18	10-11-66	90771
R 19	10-19-66	92181
S 20	12-1-66	91561
T 21	5-26-67	94003
U 22	8-7-67	94091-B
V 23	8-23-67	94003-D
W 24	4-11-68	95703
X 25	5-20-68	95781
Y 26	1-27-69	96776
Z 27	4-16-69	99079
AA 28	9-9-69	99474
AB 29	10-1-69	99557
AC 30	5-14-71	2787

SEE ISSUE CONTROL RECORD FOR COMPLETE LIST OF SHEETS COMPRISING THIS W.D.

ACTUAL WIRING DIAGRAM FOR MODEL 33 ASR, KSR, RO FOR DC SIGNAL LINE

APPROVALS

D AND R H.J.K.	E OF M
--------------------------	-------------------

E-NUMBER

PROD. NO. 6354WD

DATE 9-25-63

P.D. FILE NO. 2-30.152-153AA

DRAWN C.G.	CHKD.
-------------------	--------------

ENGD. P.R.S.	APPD.
---------------------	--------------

TELETYPE CORPORATION

NOTES CONTINUED ON ISSUE CONTROL SHEET

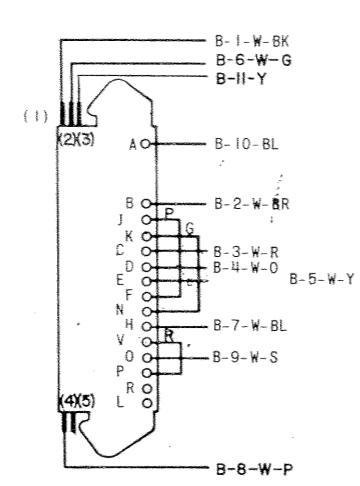
NOTE: REVISION INFORMATION MUST ALSO BE REFLECTED ON THE ISSUE CONTROL RECORD, WHICH IS PART OF THIS W.D.

1. WIRING LEGEND:
 DISTANT TERMINATING AREA
 DISTANT TERMINATING DESIGNATION
 A-11-BK [20-B] NOTE 19
 WIRE COLOR CODE
2. WIRE COLOR CODE:
 BK - BLACK BL - BLUE
 BR - BROWN S - SLATE
 Y - YELLOW G - GREEN
 O - ORANGE P - PURPLE
 R - RED W - WHITE
3. FOR SCHEMATIC WIRING DIAGRAM SEE 6353WD.
4. THE SET IS SHOWN WIRED FOR SIMPLEX .060 AMP. NEUTRAL SIGNAL LINE ON TERMINALS 6 AND 7 OF THE 151411 TERMINAL STRIP. FOR .020 AMP. NEUTRAL SIGNAL LINE MOVE THE P WIRE FROM TERMINAL 8 TO TERMINAL 9 OF THE 151411 TERMINAL STRIP. ALSO MOVE THE BL WIRE FROM TERMINAL 3 TO 4 ON THE POWER RESISTOR.
5. FOR FULL DUPLEX OPERATION CONNECT THE SEND SIGNAL LINE TO TERMINALS 4 & 3 OF THE 151411 TERMINAL STRIP. MOVE THE W-BL WIRE FROM TERMINAL 4 TO 5 AND THE BR-Y WIRE FROM TERMINAL 3 TO 5 ON THE 151411 TERMINAL STRIP.
6. TERMINAL DESIGNATIONS ENCLOSED IN PARENTHESIS ARE NOT MARKED ON THE COMPONENT.
7. ASSOCIATED CABLE ASSEMBLY 181820.
8. ON R.O. SETS SUBSTITUTE 181838 CABLE ASSEMBLY ON CONNECTOR "7".
9. 181827 CABLE ASSEMBLY USED ON 181820 CABLE ASSEMBLY.
10. USE 181826 STRAPS ON ASSEMBLY.
11. IF EITHER X-OFF OR WRU FUNCTION CONTACT IS NOT USED THE CONTACT SHOULD BE JUMPED OUT (UX801).
12. 181839 PLUG ASSEMBLY USED ON ASR SETS. (UX 800)
13. THESE WIRES ARE IN THE DISTRIBUTOR CABLE AS SPARES.
14. WIRING DESIGNATED "(NOTE 14)" APPLIES TO UNITS WITHOUT CK FUSE HOLDER.
15. WIRING DESIGNATED "(NOTE 15)" APPLIES TO UNITS WITH CK FUSE HOLDER.
16. FUSE VALUES ARE AS FOLLOWS:

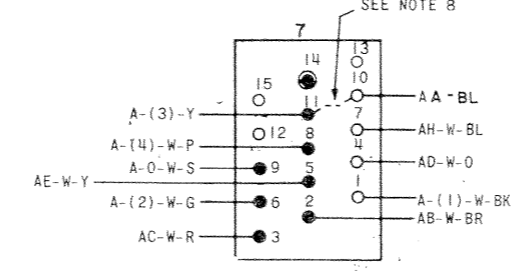
TRANSFORMER	FUSE	PART NO.
181879	1/2 AMP. SL-BL	117176
182657	8/10 AMP. SL-BL	162360
17. WIRING SHOWN FOR KA, KB, & KC IS FOR EVEN PARITY KEYBOARDS.
18. FURNISH 115V AC ± 10%, 60 Hz, EXCEPT 50 Hz ON 33TAB KSR, AND 33 TAC, TDK, TDM, TES, ASR SETS.
19. WIRING STATUS:
 RECTANGULAR BOX INDICATES HISTORY OF WIRING CHANGES.
 [20-B] NO. B - DENOTES WIRING BEFORE AND
 [20-A] NO. A - WIRING AFTER THE CHANGE DESCRIBED BY THE DESIGNATED NOTE. ENTERED THE PRODUCT
20. 185731 STRAP AND FUSE ASSEMBLY NOT INCLUDED IN EARLY SETS.

MOTOR	FUSE VALUE	FUSE PART NO.
182241	2.0 AMP	138538
182267	1.8 AMP	320346
21. * DENOTES 20 GA. WIRE
 ** DENOTES 18 GA. WIRE
22. WIRING REARRANGED TO AVOID CRIMPING TWO 20 GA. WIRES IN ONE TERMINAL.
23. 60 CYCLE READER TRIP COIL RESISTANCE IS 630Ω. 50/60 CYCLE READER TRIP COIL RESISTANCE CHANGED FROM 630Ω TO 780Ω FOR IMPROVED 50 CYCLE OPERATION.
24. THE 186163 CABLE ASSEMBLY AND PAPER ALARM SWITCH ARE USED ON UP827 ONLY.
25. MAY NOT BE FOUND ON EARLIER UNITS.
26. THE 184156 CABLE ASSEMBLY AND PAPER ALARM SWITCH ARE USED ON UP837.
 WIRING DESIGNATIONS
 Q (1) - C-11-BK-Y
 Q (2) - C-12-RS
 Q (3) - C-13-Y-G
27. THE ACK AND THE WRU CONTACTS ARE NOT USED ON UP 837
28. FOR CUSTOMER USE REQUIRES 48 VAC POWER.
29. THE 186546 CABLE ASSEMBLY IS USED ON UP856.

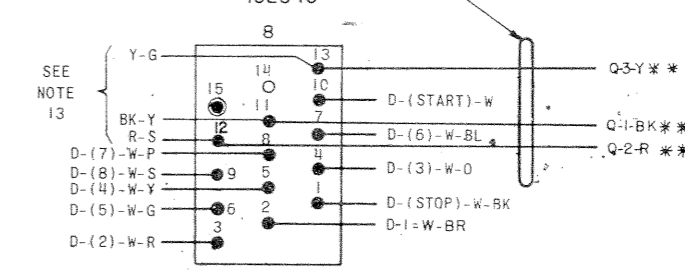
A
KEY BOARD CONTACT BLOCK



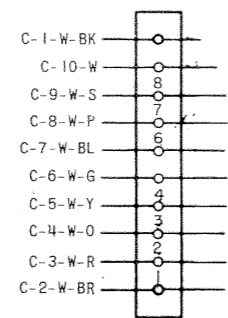
B
CONNECTOR PLUG KEYBOARD 182540



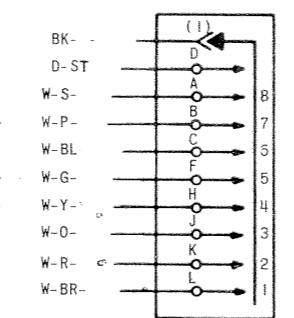
C
CONNECTOR PLUG DISTRIBUTOR 182540



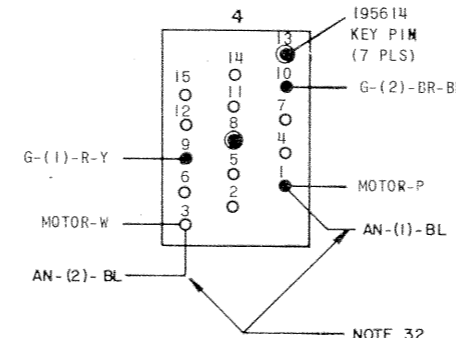
D
DISTRIBUTOR DISC



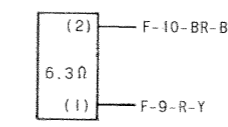
E
ANSWER BACK BLOCK



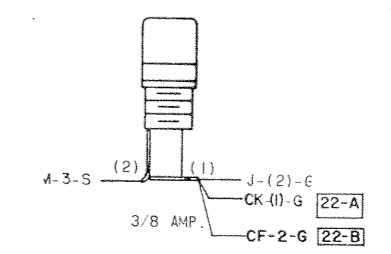
F
CONNECTOR PLUG (PRINTER) 182540



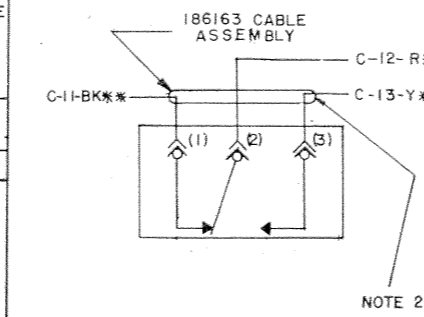
G
SELECTOR COIL 180715



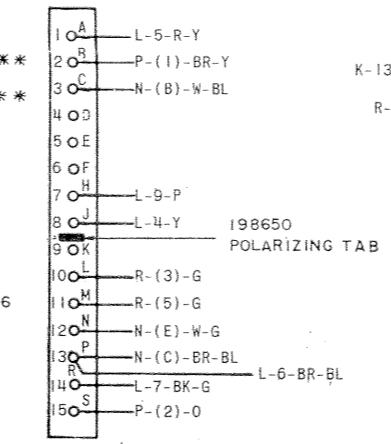
H
FUSE HOLDER 182661



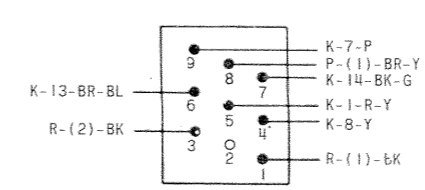
Q
PAPER ALARM SWITCH NOTE 24



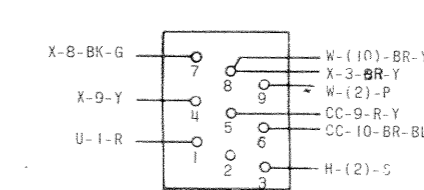
K
S.M.D CARD CONNECTOR RECEPTACLE 181819



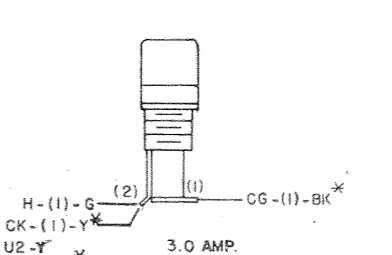
L
CONNECTOR PLUG S.M.D 182716



M
CONNECTOR RECEPTACLE (UCC 6)(UCC 36) 182645



J
FUSE HOLDER 182661



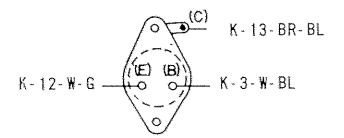
NOTE 15 CK-(1)-Y*
 NOTE 14 U2-Y*
 NOTE 15 CF-2-Y*

NOTE:
REVISION INFORMATION MUST ALSO BE REFLECTED ON THE ISSUE CONTROL RECORD, WHICH IS A PART OF THIS DRAWING.

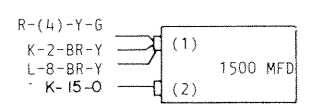
REVISIONS		
ISSUE	DATE	AUTH. NO.
22	5-7-68	95523-4
23	5-21-69	99243
24	10-1-69	99557
25	3-4-70	99947.1
26	1-15-71	736
27	1-22-71	419

SEE SHEET 1 FOR NOTES

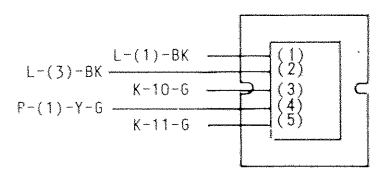
N
TRANSISTOR
POWER
181675



P
CAPACITOR
182501

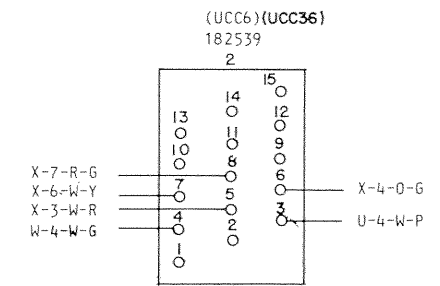


R
TRANSFORMER
337992

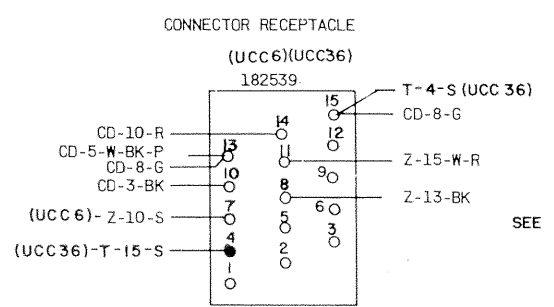


(SOME UNITS CONTAIN
184011, 182722 OR 330793
TRANSFORMER)

S
CONNECTOR RECEPTACLE
(UCC6)(UCC36)
182539



T
CONNECTOR RECEPTACLE
(UCC6)(UCC36)
182539



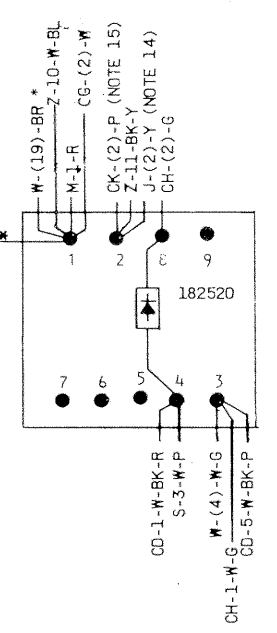
181836 CABLE
ASSEMBLY

181837 CABLE
ASSEMBLY

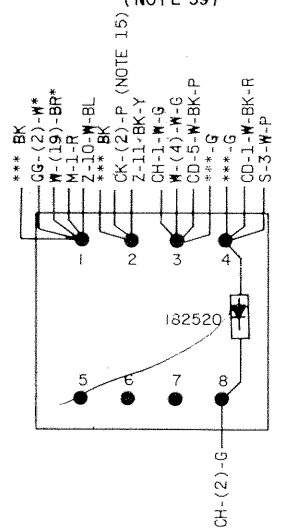
182781 CABLE
ASSEMBLY

SEE NOTE 34 → CY-(2)-BL **

U
TRANSFORMER
181879

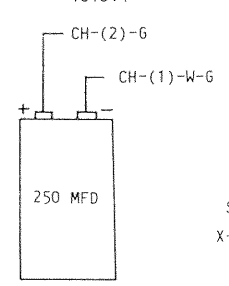


U
TRANSFORMER ASSEMBLY
(NOTE 39)
186651

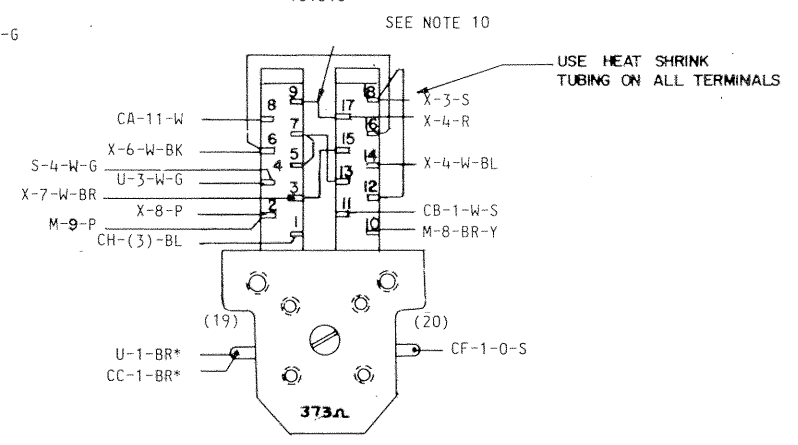


*** DENOTES TRANSFORMER LEADS

V
CAPACITOR
181814



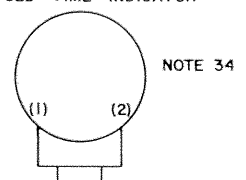
W
LINE RELAY
181810



SEE NOTE 10

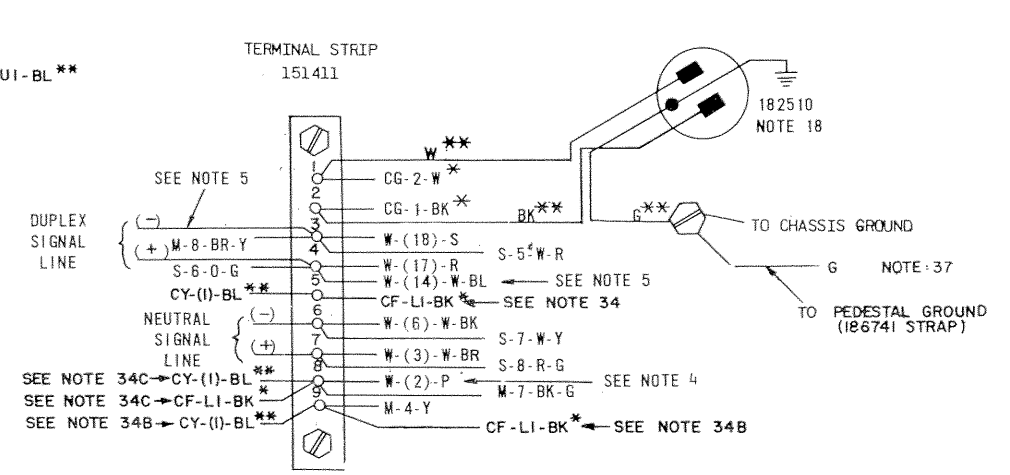
USE HEAT SHRINK
TUBING ON ALL TERMINALS

CY
ELAPSED TIME INDICATOR



NOTE 34

X
TERMINAL STRIP
151411



DUPLEX
SIGNAL LINE

NEUTRAL
SIGNAL LINE

TO CHASSIS GROUND

TO PEDESTAL GROUND
(186741 STRAP)

SEE NOTE 34C → CY-(1)-BL
SEE NOTE 34C → CF-LI-BK
SEE NOTE 34B → CY-(1)-BL

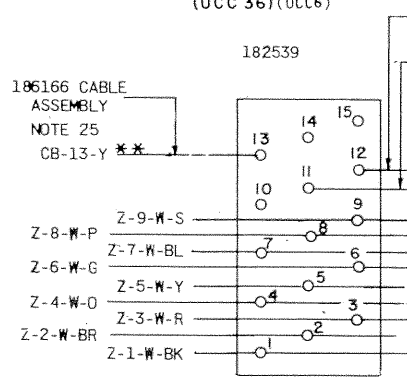
SEE NOTE 5

SEE NOTE 34

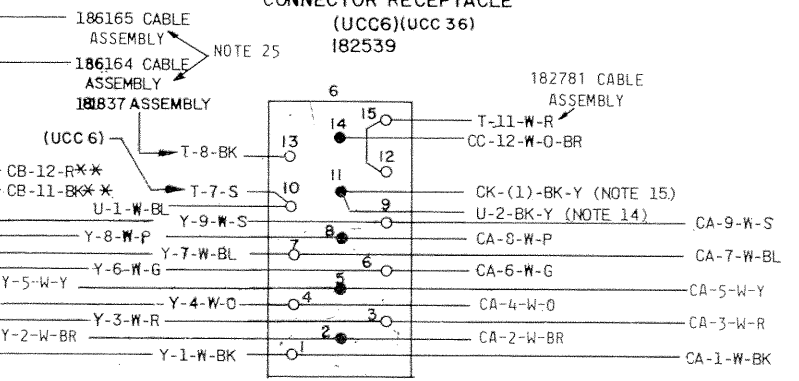
SEE NOTE 4

SEE NOTE 34B

Y
CONNECTOR RECEPTACLE
(UCC36)(UCC6)
182539



Z
CONNECTOR RECEPTACLE
(UCC6)(UCC36)
182539



SEE ISSUE CONTROL RECORD FOR COMPLETE LIST OF SHEETS COMPRISING THIS W.D.
SHEET 2

ACTUAL
WIRING DIAGRAM
FOR
MODEL 33 - ASR, KSR, RO
FOR
DC SIGNAL LINE

APPROVALS
D AND R HJK
E OF M

E-NUMBER
PROD. NO. 6354WD
DATE 9-25-63
P.D. FILE NO. 2-30.152/153AA
DRAWN CG
ENG. PRC

CHKD.
APPD.

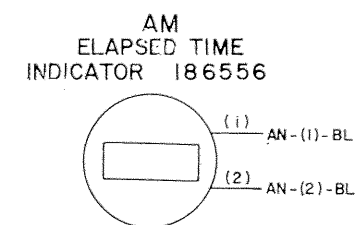
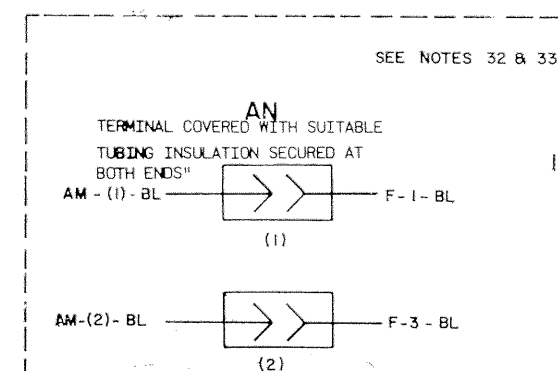
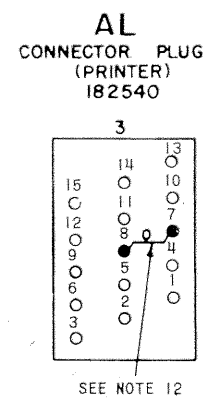
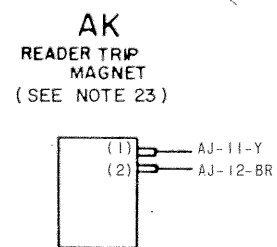
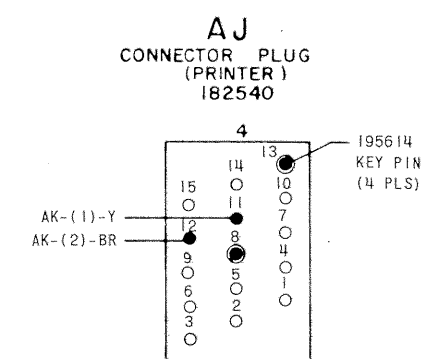
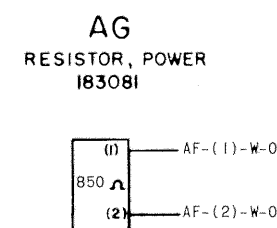
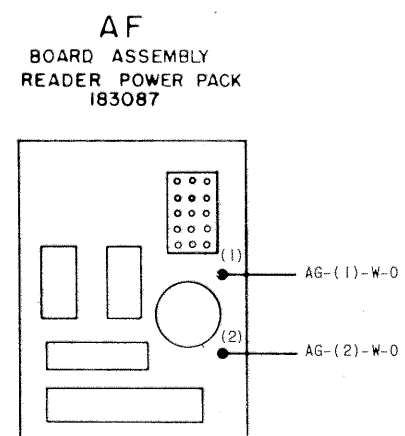
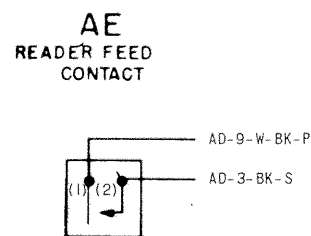
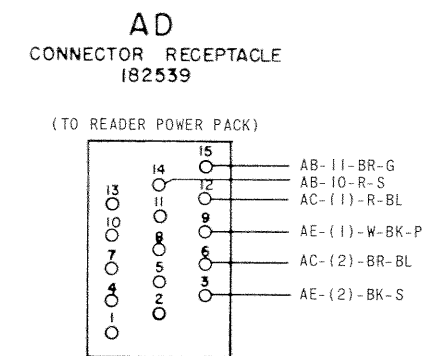
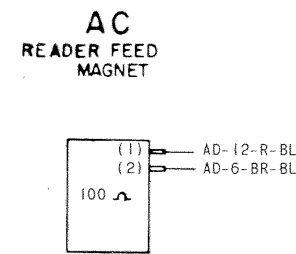
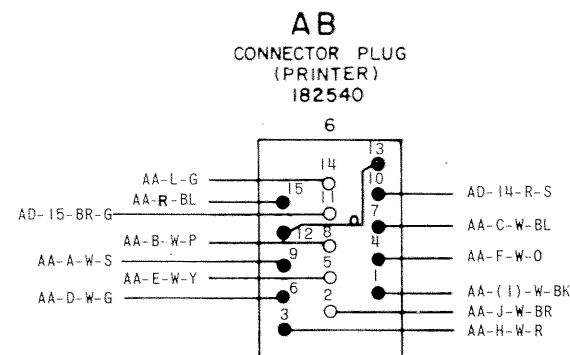
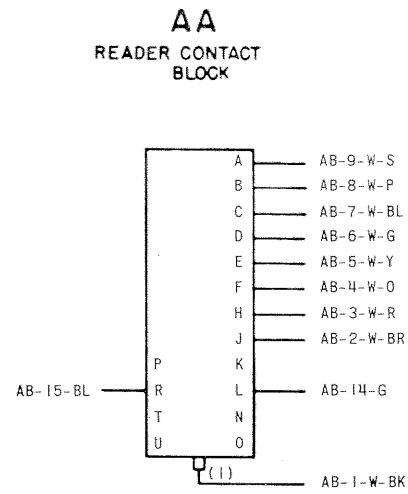
TELETYPE
CORPORATION
6354 WD

REVISION INFORMATION MUST ALSO
BE REFLECTED ON THE ISSUE
CONTROL RECORD, WHICH IS PART
OF THIS W.D.

6354WD

REVISIONS

ISSUE	DATE	AUTH. NO.
A 2	11-20-63	79266
B 3	RECORD ONLY	
C 4	3-16-64	81133
D 5	4-9-64	81640
6	11-27-64	84602
7	10-19-66	92181
8	1-27-69	96776
9	2-18-70	99947-4
10	12-9-70	2145



SEE ISSUE CONTROL RECORD FOR
COMPLETE LIST OF SHEETS
COMPRISING THIS W.D.

SHEET 4

WDP

ACTUAL
WIRING DIAGRAM
FOR
MODEL 33
ASP, KSR, RO
FOR
DC SIGNAL LINE

APPROVALS

D AND R E OF M
H.J.K. S

E-NUMBER

PROD. NO. 6354WD

DATE 9-25-63

P.D. FILE NO. 2-30.152/153AA

DRAWN C.G. CHKD.

ENGD. P.R.S. APPD.

TELETYPE
CORPORATION

6354WD

REVISIONS

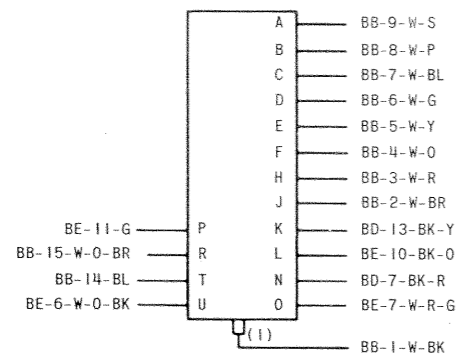
ISSUE	DATE	AUTH. NO.
A 2	11-20-63	79266
B 3	RECORD ONLY	
C 4	3-16-64	81133
D 5	4-9-64	81640
6	11-27-64	84602
7	10-19-66	92181
8	4-11-68	95703
9	5-20-68	95781
10	1-23-69	96776
11	10-1-69	99557

NOTE:
REVISION INFORMATION MUST ALSO
BE REFLECTED ON THE ISSUE
CONTROL RECORD, WHICH IS PART
OF THIS W.D.

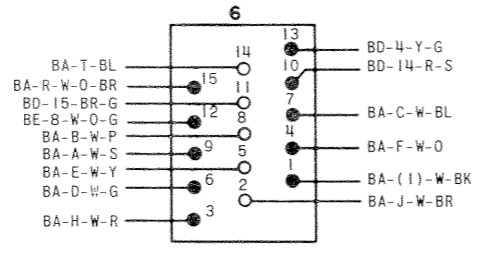
SEE SHEET 1 FOR NOTES

AUTOMATIC READER
UX 801

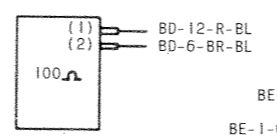
BA
READER CONTACT
BLOCK



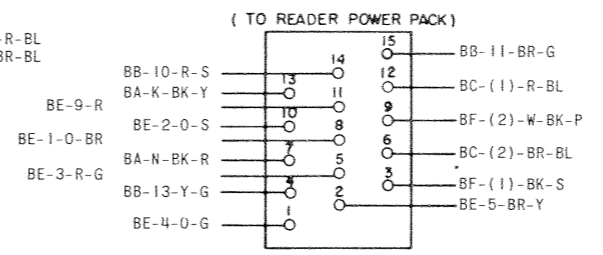
BB
CONNECTOR PLUG
(PRINTER)
182540



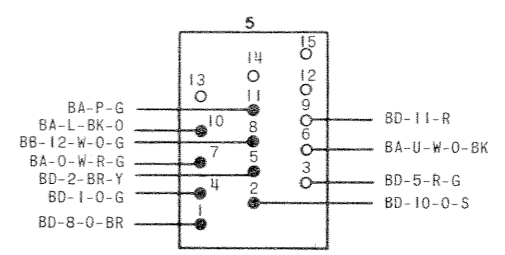
BC
READER FEED
MAGNET



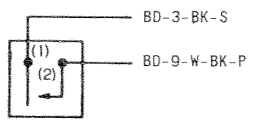
BD
CONNECTOR RECEPTACLE
182539



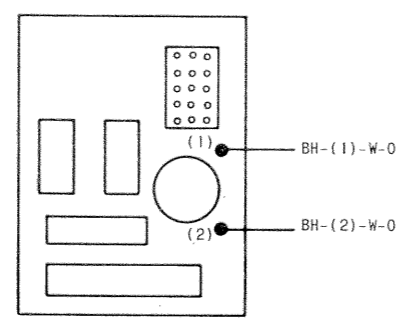
BE
CONNECTOR PLUG
182540



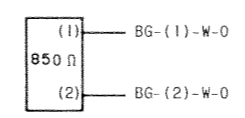
BF
READER FEED
CONTACT
182137



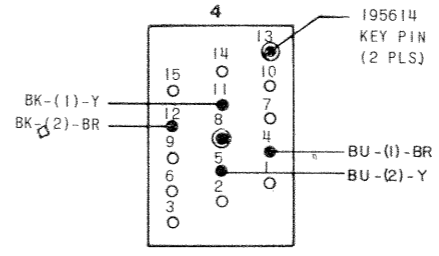
BG
BOARD ASSEMBLY
READER POWER PACK
183079



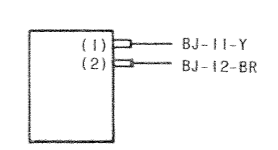
BH
RESISTOR POWER
183081



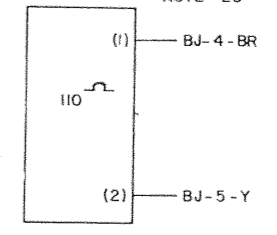
BJ
CONNECTOR PLUG
(PRINTER)
182540



BK
READER TRIP
MAGNET
(SEE NOTE 23 & 35)



BU
ANS. BACK
TRIP MAGNET



SEE ISSUE CONTROL RECORD FOR
COMPLETE LIST OF SHEETS
COMPRISING THIS W.D.

SHEET 5

WDP

ACTUAL
WIRING DIAGRAM
FOR
MODEL 33
ASR, KSR, RO
DC SIGNAL LINE

APPROVALS

D AND R H.J.K.	E OF M
-------------------	--------

E-NUMBER

PROD. NO. 6354WD

DATE 9-25-63

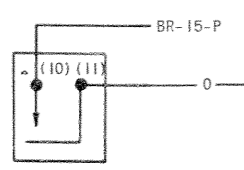
P.D. FILE NO. 2-30.152/153AA

DRAWN C.G. CHKD.

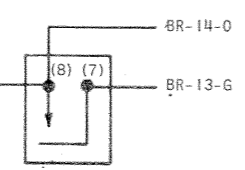
ENG. P.R.S. APPD.

TELETYPE
CORPORATION

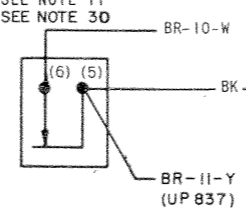
BL
ACK CONTACT
SEE NOTE 27



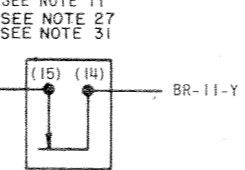
BM
X-ON CONTACT
SEE NOTE 30



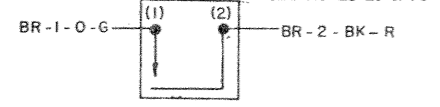
BN
X-OFF CONTACT
SEE NOTE 11
SEE NOTE 30



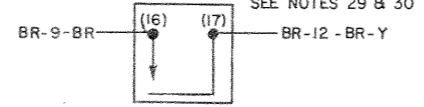
BP
WRU CONTACT
SEE NOTE 11
SEE NOTE 27
SEE NOTE 31



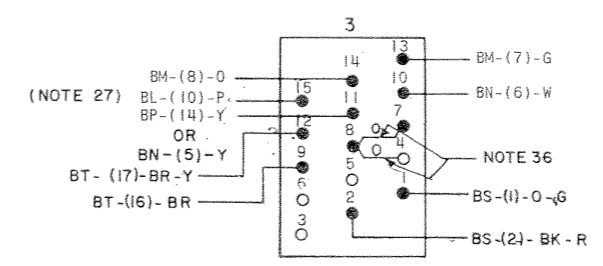
BS
EOT CONTACT
SEE NOTES 29 & 30



BT
ETX CONTACT
SEE NOTES 29 & 30



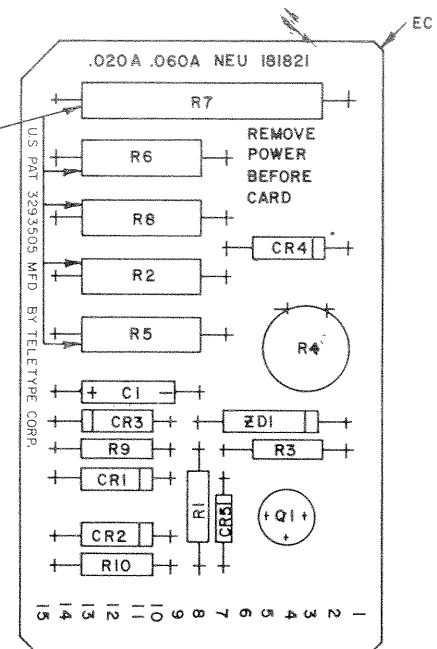
BR
CONNECTOR PLUG
(PRINTER)
182540



NO	NOTES
1	REFER TO 6357WD FOR CARD MARKING INFORMATION.
2	RAISE R2, 5, 6, 7, 8 - 1/32 TO 1/16 ABOVE CIRCUIT CARD

UL RECOGNITION SYMBOL REQUIRED PER MR 2001.

SEE NOTE 2



CIRCUIT DESCRIPTION

THE SELECTOR MAGNET DRIVER CIRCUIT IS POWERED FROM A SOURCE OF 117 VOLT ALTERNATING CURRENT THROUGH A STEP DOWN ISOLATION TRANSFORMER. DIODES CR1 AND CR2 PROVIDE FULL WAVE RECTIFICATION OF THE REDUCED VOLTAGE TO -20 VOLTS DC AT TERMINAL 15. THE CIRCUIT COMMON IS CONNECTED TO TERMINAL 2 AND A POWER SUPPLY FILTER CAPACITOR IS CONNECTED BETWEEN TERMINALS 2 AND 15.

THE DIRECT CURRENT SIGNAL LINE CIRCUIT IS CONNECTED THROUGH TERMINALS 14 OR 8 AND 2 DEPENDING ON LINE CURRENT. TERMINAL 7 STRAPPED EXTERNALLY TO TERMINAL 14 OR 8, DEPENDING ON LINE CURRENT.

IN THE MARKING CONDITION, Q1 IS OFF-BIASED. WITH Q1 OFF, THE BASE OF Q2 WILL BE CLAMPED AT THE ZENER REFERENCE VOLTAGE BY DIODE CR4. THIS VOLTAGE CLAMP IS THEN TRANSLATED TO CURRENT REGULATION BY THE TRANSISTOR ACTION OF Q2. THE REGULATED MAGNET CURRENT IS ADJUSTED TO .500 AMPERES BY RHEOSTAT R4.

WITH THE SIGNAL LINE IN THE OPEN OR SPACING CONDITION, Q1 IS TURNED ON BY BASE CURRENT SUPPLIED THROUGH RESISTOR R1. THE POTENTIAL AT THE COLLECTOR OF Q1 WILL BE NEAR ZERO OFF-BIASING Q2. WITH Q2 OFF, NO SELECTOR MAGNET CURRENT FLOWS, ALLOWING THE MAGNET TO RELEASE. DURING THE TURN OFF OF Q2, THE INDUCTIVE TRANSIENT DEVELOPED AT THE COLLECTOR IS SUPPRESSED BY THE NETWORK CONSISTING OF CR3, R9 AND C1.

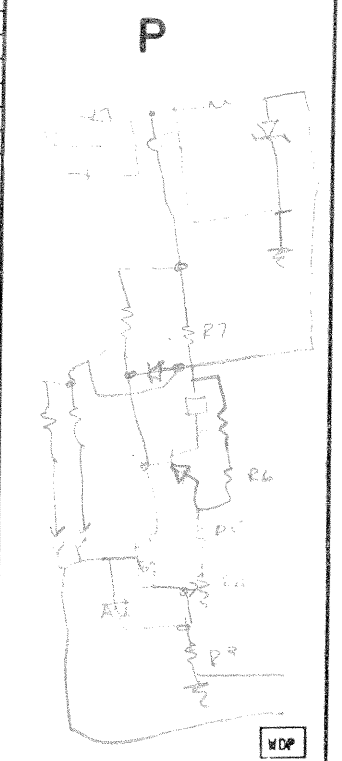
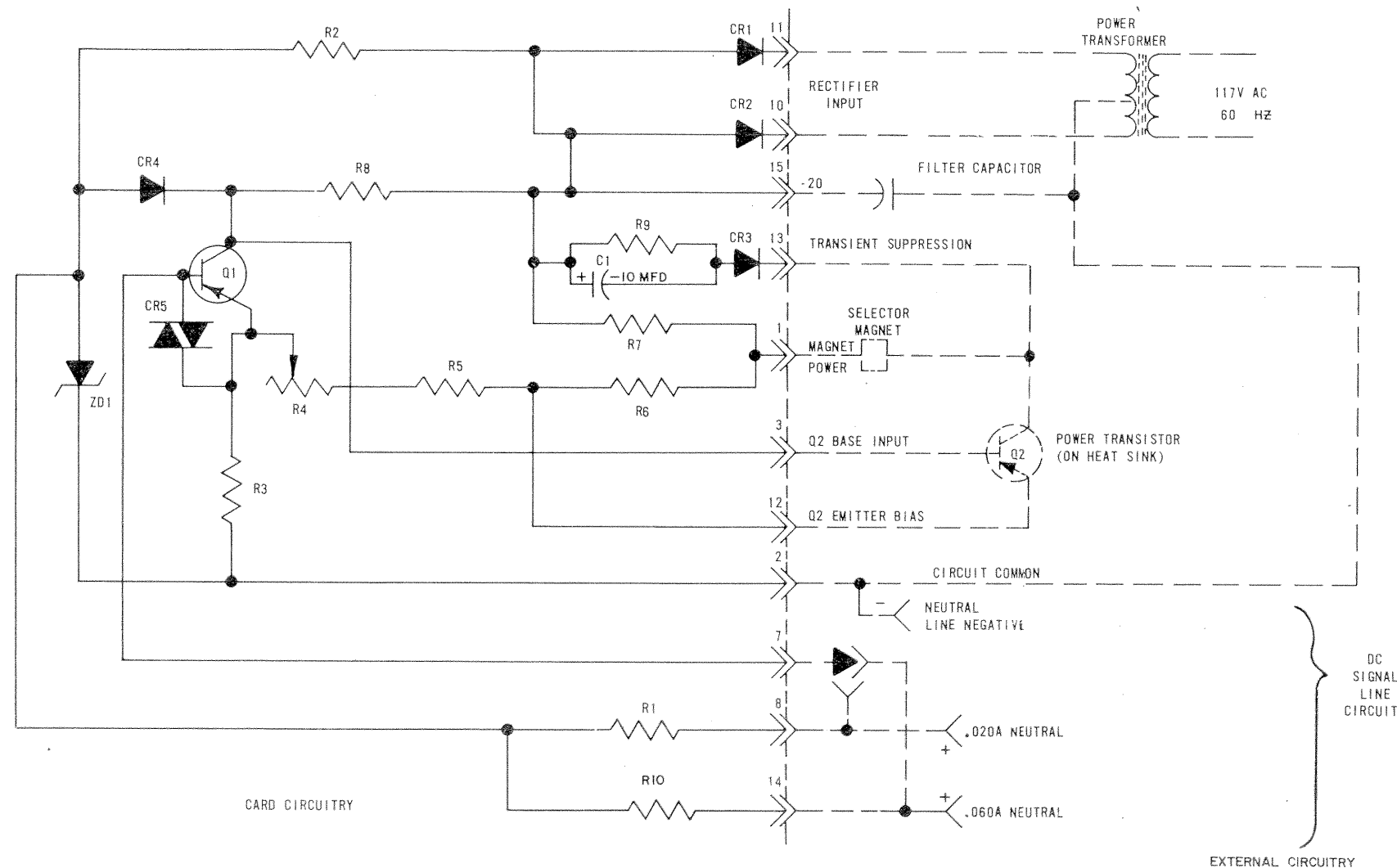
SNAP-ACTION IS SUPPLIED TO THE CIRCUIT TRANSITIONS BY FEEDBACK IN THE EMITTER CIRCUIT OF TRANSISTOR Q1.

CIRCUIT BOARD EC

REF. DESIG.	TELETYPE PART NO	TOTAL QTY	NAME AND DESCRIPTION	LOCATING FUNCTION
R1	182779	1	RESISTOR 420 OHMS 1/2W	Q10 AMP SWITCHING
R10	182797	1	RESISTOR 135 OHMS 1/2W	Q30 AMP SWITCHING
R2	181669	1	RESISTOR 330 OHMS 2.5W	ZENER CURRENT LIMITING
R3	182778	1	RESISTOR 0.82 OHMS 1/2W	COMMON EMITTER BIAS
R4	182773	1	RHEOSTAT 3 OHMS 2.5W	OUTPUT CURRENT ADJUST
R5	181717	1	RESISTOR 8 OHMS 5W	Q2 EMITTER BIAS
R6	182770	1	RESISTOR 270 OHMS 4W	Q2 EMITTER BIAS
R7	182772	1	RESISTOR 14 OHMS 10W	Q2 COLLECTOR LOAD
R8	182627	1	RESISTOR 390 OHMS 4W	Q1 COLLECTOR LOAD
R9	182776	1	RESISTOR 150 OHMS 1/2W	Q2 COLLECTOR - TRANSIENT LIMITING
CR1	182520	2	DIODE IN3193	POWER RECTIFIER
CR2	182520	2	SAME AS CR1	POWER RECTIFIER
CR3	181619	2	DIODE IN482	COLLECTOR TRANSIENT LIMITING
CR4	181619	1	SAME AS CR3	VOLTAGE CLAMPING
CR5	178844	1	VARIATOR 100A	INPUT PROTECTION
ZD1	182774	1	DIODE, ZENER 4.7V 5% 1W	REFERENCE
C1	182628	1	CAPACITOR, 10 MFD, 25W VDC	COLLECTOR TRANSIENT LIMITING
Q1	181671	1	TRANSISTOR, HIGH GAIN	INPUT SWITCH
EC	181823	1	CIRCUIT BOARD, ETCHED	

181821		
REVISIONS		
ISSUE	DATE	AUTH. NO.
2	4-19-65	86501
3	9-19-66	88816
4	11-25-66	88816-1
5	5-5-67	93502
6	4-2-68	95450
7	7-5-68	95948
8	11-6-68	96521
9	12-20-68	98266
10	3-3-71	2320

CONSTANT CURRENT .500 AMP SELECTOR MAGNET DRIVER



APPROVALS	
R AND D <i>H.S.K.</i>	E OF M <i>J.</i>
E-NUMBER	
PROD NO 181821	
DATE <i>7-20-63</i> 4-28-67	
R&D FILE 2-30.152/153AA	
DRAWN JER-CG	CHKD. <i>N.A.J.</i>
ENGD. AS-PRS	APPD. <i>J.W.</i>

TELETYPE CORPORATION
181821

182630-35

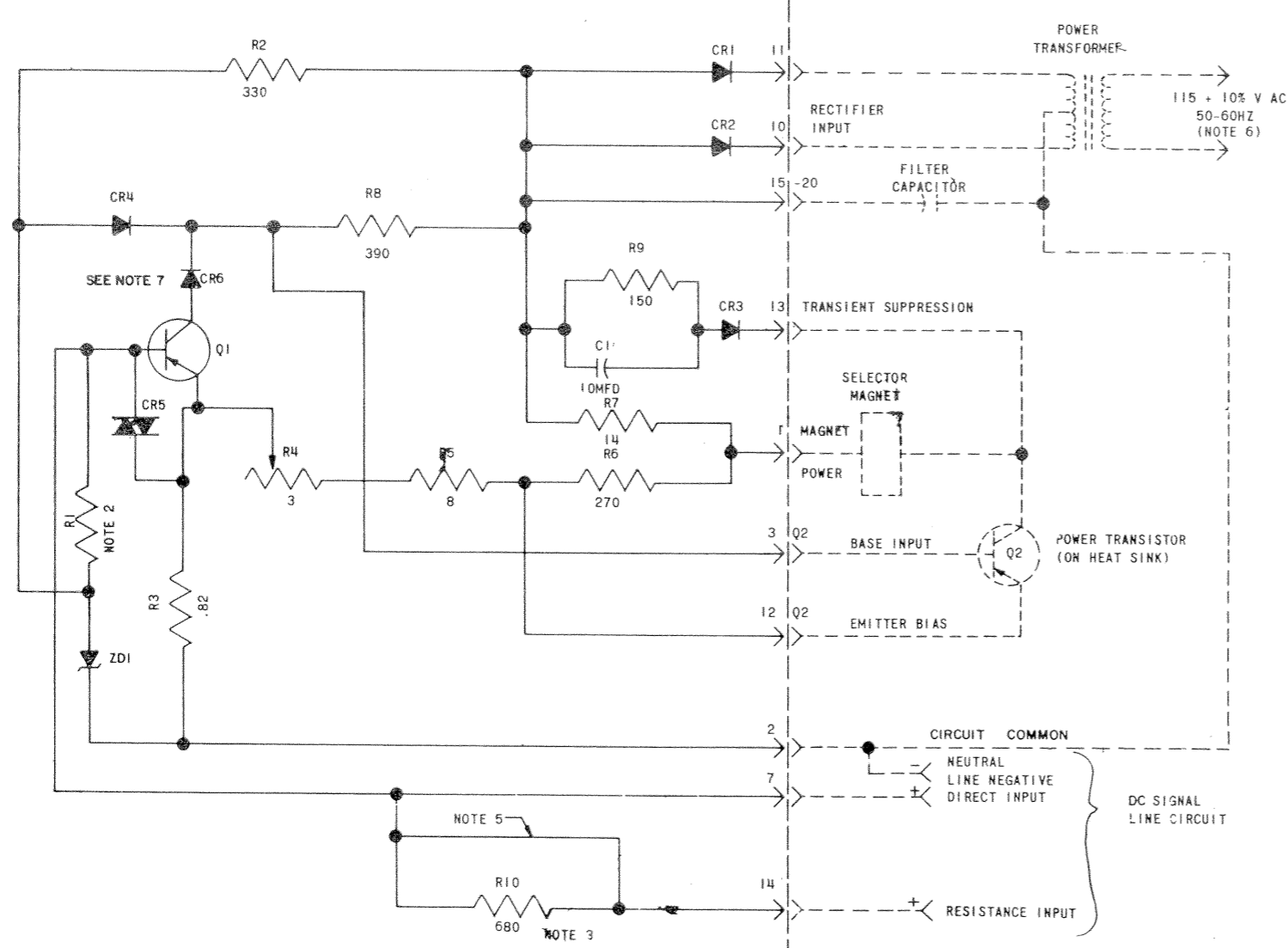
REVISIONS

ISSUE	DATE	AUTH. NO.
2	8-8-62	30-1259
3	11-27-62	30-5388
4	12-17-62	30-5445
5	1-23-63	30-5580
6	3-20-64	81340
7	5-21-64	81761
8	4-26-65	86507
9	6-10-65	86507-2
10	9-19-66	88816
11	10-25-66	88816-1
12	12-14-66	92190
13	2-7-67	93101
14	5-3-67	93502
15	6-20-68	19358-R
16	7-9-68	95948
17	12-20-68	98266
17A	3-3-71	2320

CIRCUIT CARD ASSEMBLY

REF. DESIG.	TELETYPE PART NO.	TOTAL QTY.	NAME & DESIGNATION	LOCATING FUNCTION	USED ON	FOR
R1	182779	1	RESISTOR 420 OHMS 1/2W	.010 AMP. SWITCHING	182630	.020A NEUTRAL LINE
"	182797	1	RESISTOR 135 OHMS 1/2W	.030 AMP. SWITCHING	182631	.060A " "
"	182180	1	RESISTOR 200 OHMS 1/2W	.020 AMP. SWITCHING	182632	.040A " "
R10	182777	1	RESISTOR 680 OHMS 1/2W	INPUT CURRENT LIMITING	182630	DATA SET OPERATION
R10	39603RM	1	STRAP	.030 AMP. SWITCHING	182631	.060A NEUTRAL LINE
R10	39603PM	1	STRAP	.020 AMP. SWITCHING	182632	.040A " "
R2	181669	1	RESISTOR 330 OHMS 2 1/2W	ZENER CURRENT LIMITING		
R3	182778	1	RESISTOR 0.82 OHM 1/2W	COMMON EMITTER BIAS		
R4	182773	1	RHEOSTAT 3 OHMS 2 1/2W	OUTPUT CURRENT ADJUST		
R5	181717	1	RESISTOR 8 OHMS 5W	Q2 EMITTER BIAS		
R6	182770	1	RESISTOR 270 OHMS 4W	Q2 EMITTER BIAS		
R7	182772	1	RESISTOR 14 OHMS 10W	Q2 COLLECTOR LOAD		
R8	182627	1	RESISTOR 390 OHMS 4 W	Q1 COLLECTOR LOAD		
R9	182776	1	RESISTOR 150 OHMS 1/2W	Q2 COLLECTOR LOAD TRANSIENT LIMITING		
CR1	182520	2	DIODE 1N3193	POWER RECTIFIER		
CR2	182520		SAME AS CR1	POWER RECTIFIER		
CR3	181619	2	DIODE 1N482	COLLECTOR TRANSIENT LIMITING		
CP4	181619		SAME AS CR3	VOLTAGE CLAMPING		
CR5	178844	1	VARIATOR 100A	INPUT PROTECTION		
CR6	199442	1	DIODE, 1N270	SEE NOTE 7		
ZD1	182774	1	DIODE, ZENER 4.7V 5% 1W	REFERENCE		
C1	182628	1	CAPACITOR, 10 MFD, 25WVDC	COLLECTOR TRANSIENT LIMITING		
Q1	181671	1	TRANSISTOR, HIGH GAIN	INPUT SWITCH		
EC	182775	1	CIRCUIT BOARD, ETCHED			

CONSTANT CURRENT .500 SELECTOR MAGNET DRIVER



CARD CIRCUITRY

EXTERNAL CIRCUITRY

CIRCUIT DESCRIPTION

THE SELECTOR MAGNET DRIVER CIRCUIT IS POWERED FROM A SOURCE OF 117 VOLT ALTERNATING CURRENT THROUGH A STEP DOWN ISOLATION TRANSFORMER. DIODES CR1 AND CR2 PROVIDE FULL WAVE RECTIFICATION OF THE REDUCED VOLTAGE TO -20 VOLTS DC AT TERMINAL 15. THE CIRCUIT COMMON IS CONNECTED TO TERMINAL 2 AND A POWER SUPPLY FILTER CAPACITOR IS CONNECTED BETWEEN TERMINALS 2 AND 15.

THE DIRECT CURRENT SIGNAL LINE CIRCUIT IS CONNECTED THROUGH TERMINALS 7 AND 2. WITH AN ALTERNATE CONNECTION THROUGH R10 AT TERMINAL 14 PROVIDING A CURRENT LIMITING FUNCTION.

IN THE MARKING CONDITION, Q1 IS OFF-BIASED. WITH Q1 OFF, THE BASE OF Q2 WILL BE CLAMPED AT THE ZENER REFERENCE VOLTAGE BY DIODE CR4. THIS VOLTAGE CLAMP IS THEN TRANSLATED TO CURRENT REGULATION BY THE TRANSISTOR ACTION OF Q2. THE REGULATED MAGNET CURRENT IS ADJUSTED TO .500 AMPERES BY RHEOSTAT R4.

WITH THE SIGNAL LINE IN THE OPEN OR SPACING CONDITION, Q1 IS TURNED ON BY BASE CURRENT SUPPLIED THROUGH RESISTOR R1. THE POTENTIAL AT THE COLLECTOR OF Q1 WILL BE NEAR ZERO. OFF-BIASING Q2. WITH Q2 OFF, NO SELECTOR MAGNET CURRENT FLOWS, ALLOWING THE MAGNET TO RELEASE. DURING THE TURN OFF OF Q2 THE INDUCTIVE TRANSIENT DEVELOPED AT THE COLLECTOR IS SUPPRESSED BY THE NETWORK CONSISTING OF CR3, R9, AND C1.

"SNAP-ACTION" IS SUPPLIED TO THE CIRCUIT TRANSITIONS BY FEEDBACK IN THE EMITTER CIRCUITS OF TRANSISTORS Q1 AND Q2.

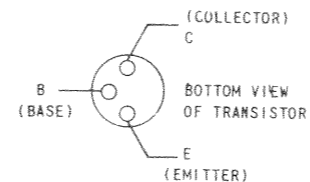
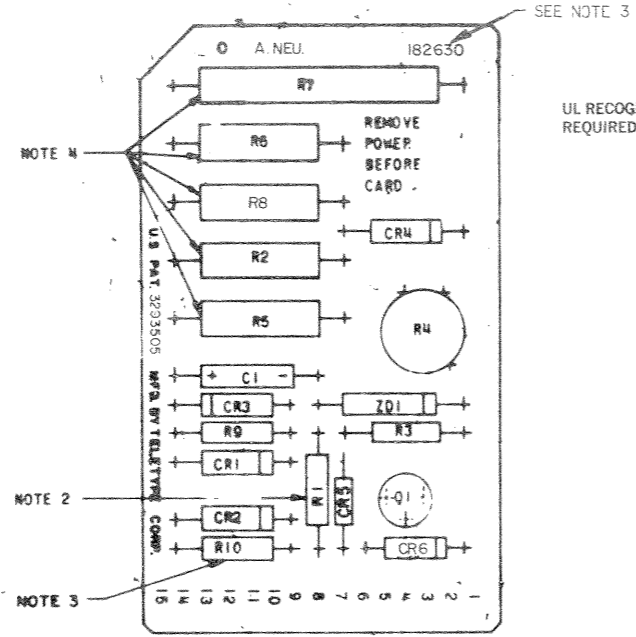
APPROVALS

D AND R	E OF M
HJK	
E-NUMBER	
PROD. NO. 182630-35	
DATE 6-2-62	
P.D. FILE NO. 30-158AAA	
DRAWN E.R. REG	CHKD.
ENGD. R.J.M.	APPD.

TELETYPE CORPORATION

182630-35

- NO. NOTES
- REFER TO 5906WD FOR CARD MARKING INFORMATION.
 - THE SELECTION OF THIS RESISTOR DEPENDS ON THE APPLICATION IN WHICH THE DRIVER IS TO BE USED.
 - R10 IS USED ON 182630 ASSEMBLY ONLY.
 - RAISE R2, 5, 6, 7, 8 1/32 TO 1/16 ABOVE CIRCUIT CARD.
 - THE 39603RM STRAP IS USED ON THE 182631 AND 182632 ASSEMBLIES
 - SEE 5983WD FOR APPROPRIATE POWER INPUT.
 - DIODE CR6 WAS ADDED TO PROTECT Q1 FROM DESTRUCTION BY ACCIDENTAL GROUNDING OF THE COLLECTOR OF Q2. 181653 DIODE WAS USED FIRST BUT CHANGED TO 199442 TO REDUCE "LEAKAGE" CURRENT DURING SPACING PULSES.
 - .020 A NEU 182630
.060 A NEU 182631
.040A NEU 182632



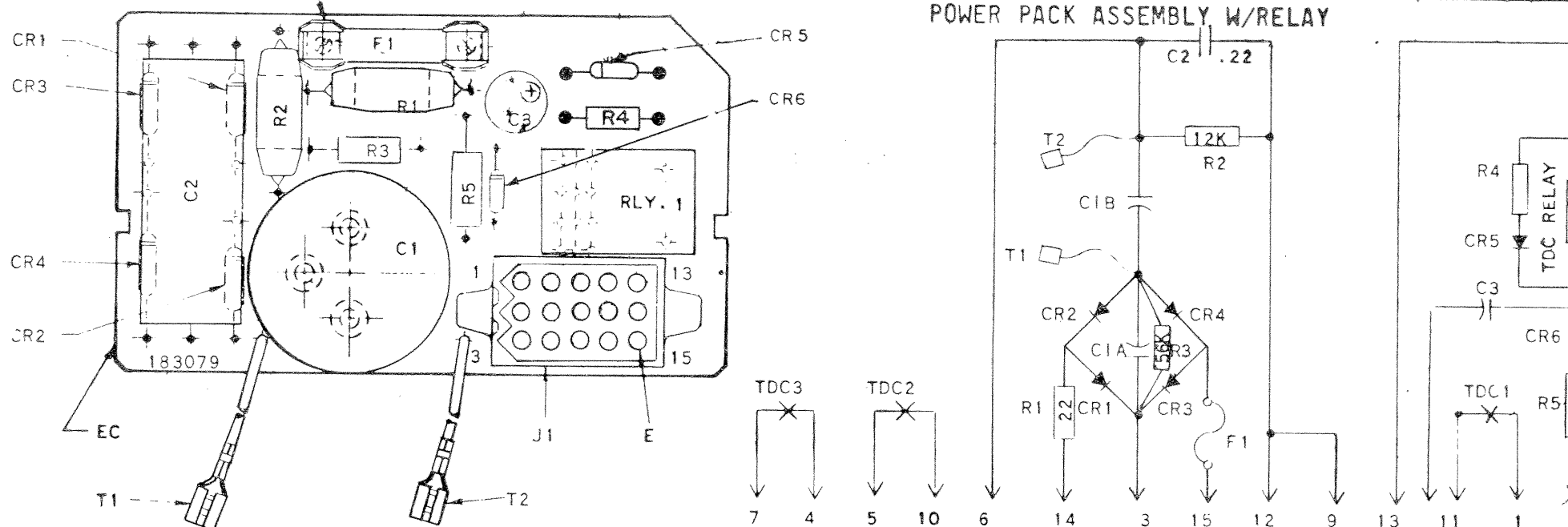
SEE NOTE 3
UL RECOGNITION SYMBOL REQUIRED PER MR 2001.

NOTES

- REFER TO 7141 WD FOR MARKING INFORMATION
- SOME PREVIOUS CIRCUIT CARD ASSEMBLIES USED 1/2 AFB. 3/4 AFB. IS PREFERABLE

CIRCUIT CARD ASSEMBLY

183079



PARTS REQ	NO REQ	USED ON	NO REQ
		182149	

REVISIONS		
ISSUE NO	DATE	AUTHOR NO
2	12-2-63	79461
3	3-3-64	80414
4	5-6-64	81899
5	11-29-66	88816-A
6	8-21-68	95993
7	10-8-68	96269-A
8	9-17-69	99187
9	2-10-70	99187-2
9A	3-3-71	2320

DESIGNATION	TELETYPE PART NO.	TOTAL QTY.	DESCRIPTION	FUNCTION
R1	183083	1	RESISTOR, 22 OHM	SURGE LIMITER
R2	183082	1	RESISTOR, 12,000 OHM	ARC SUPPRESSOR
C1	183078	1	CAPACITOR, DUAL SECTION A - 200 MFD, 200V DC B - 9 MFD, 200V DC	POWER SUPPLY FILTER SURGE SOURCE
C2	183084	1	CAPACITOR, .22 MFD	ARC SUPPRESSOR
CR1	181654	6	DIODE, 400V	POWER SUPPLY RECTIFIER
CR2			SAME AS CR1	POWER SUPPLY RECTIFIER
CR3			SAME AS CR1	POWER SUPPLY RECTIFIER
CR4			SAME AS CR1	POWER SUPPLY RECTIFIER
F1	143630	1	FUSE, 3/4 A.F.B.	POWER SUPPLY PROTECTION SEE NOTE 2
FC	171595	2	FUSE CLIP	
T1	183085	2	TERMINAL WITH WIRE LEAD	
T2			SAME AS T1	
J1	182540	1	CONTACT BLOCK, 15 POINT	
E	182641	15	TERMINAL, MALE P.C.	
EC	183137	1	ETCHED CIRCUIT BOARD	
	151637	2	SCREW, 4-40 FIL. HEAD	
	110743	2	LOCKWASHER, 4-40	
	151880	2	NUT	
R3	118198	1	RESISTOR, 56,000 OHM	BLEEDER
CR6	181654		SAME AS CR1	RECTIFIER
R5	183119	1	RESISTOR, 470 OHM	VOLTAGE DROPPING
C3	183121	1	CAPACITOR, 15 MFD	FILTER
CR5	181654		SAME AS CR1	ARC SUPPRESSOR
R4	118180	1	RESISTOR, 10,000 OHM	ARC SUPPRESSOR
RLY. 1	183088	1	RELAY, 2,100 OHM	AUTOMATIC READER CONTROL

THIS POWER PACK CONSISTS OF A 150 VOLT POWER SUPPLY OPERATING DIRECTLY FROM THE 117V AC LINE, A WAVE SHAPING NETWORK, AND AN ARC SUPPRESSOR. IT IS DESIGNED TO OPERATE WITH AN INDUCTIVE LOAD OF APPROXIMATELY 100 OHMS BETWEEN TERMINALS 6 AND 12, WITH A 850 OHM, 40 WATT RESISTOR CONNECTED BETWEEN T1 AND T2.

TD FEED SWITCH IS CONNECTED BETWEEN TERMINALS 9 AND 3 THE UNIT IS DESIGNED TO DRIVE THE READER MAGNET IN THE MODEL 33 ASR SET.

TDC RELAY CONTACTS ARE USED FOR AUTOMATIC READER CONTROL. 48V AC INPUT IS RECTIFIED THRU R5 AND CR6 BEFORE REACHING TDC RELAY. CAPACITOR C3 FILTERS TO GROUND THRU COMMON POINT OF TDC1.

**UL RECOGNITION SYMBOL
REQUIRED PER MR 2001.**

P

WDP

APPROVALS	
DESIGNED AND R	CHECKED BY E OF M
E-NUMBER	
PROD. NO. 183079	

TELETYPE CORPORATION
183079

SCALE: 1/1

DRAWN	PD FILE NO	DATE
P.H.N.	1-47.60.AA	2-1-63
DESIGNED	ENGINEER	CHECKED
T.V.		
		APPROVED

STOCK SPECIFICATION			
SIZE	KIND	SHAPE	TEMPER

CIRCUIT CARD ASSEMBLY

183087

POWER PACK ASSEMBLY

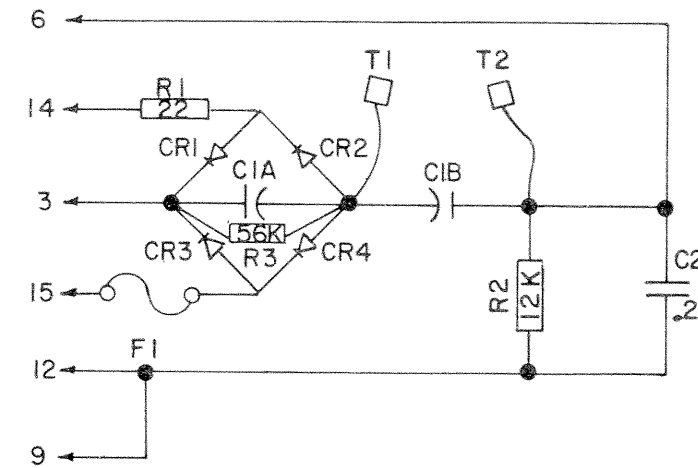
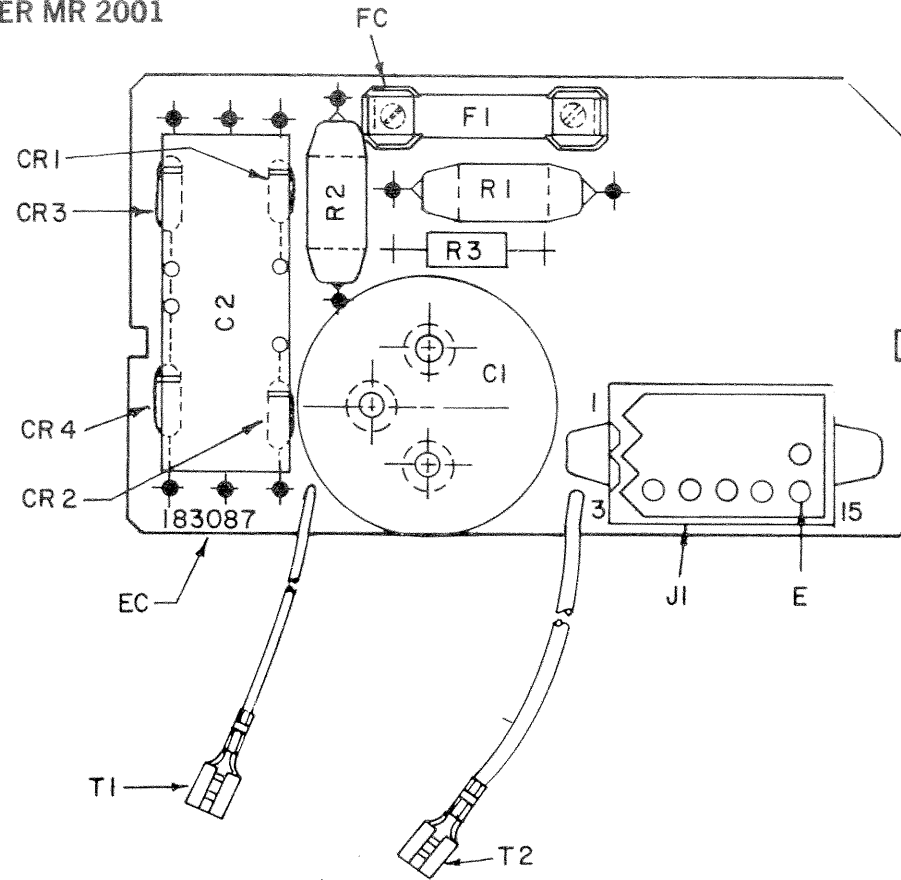
NO B/M

ALL DIMENSIONS ± UNLESS OTHERWISE SPECIFIED

UL RECOGNITION SYMBOL REQUIRED PER MR 2001

PARTS REQ	NO. REQ	USED ON	NO. REQ
SEE BELOW		182134	1

NO.	NOTES
1.	REFER TO 5851WD FOR MARKING INFORMATION.
2.	SOME PREVIOUS CIRCUIT CARD ASSEMBLIES USED 1/2 AFF. 3/4 AFF. IS PREFERABLE.



REVISIONS

ISSUE NO.	DATE	AUTHOR NO.
2	8-20-62	30-1276
3	9-26-62	30-1315
4	2-20-63	30-5537
5	6-26-63	76290
6	9-19-66	88816
7	11-25-66	88816-1
8	8-22-68	95993
9	9-17-69	99187
10	2-10-70	99187-2
11	3-3-71	2320

P

DESIGNATION	TELETYPE PART NO.	TOTAL QTY.	DESCRIPTION	FUNCTION
R1	183083	1	RESISTOR, 22 OHM	SURGE LIMITER
R2	183082	1	RESISTOR, 12,000 OHM	ARC SUPPRESSOR
C1	183078	1	CAPACITOR, DUAL SELECTION A- 200 M.F.D. 200 V.D.C. B- 9 M.F.D. 200 V.D.C.	POWER SUPPLY FILTER SURGE SOURCE
C2	183084	1	CAPACITOR, .22 M.F.D.	ARC SUPPRESSOR
CR1	181654	4	DIODE, 400 V.	POWER SUPPLY RECTIFIER
CR2			" "	" " "
CR3			" "	" " "
CR4			" "	" " "
F1	143630	1	FUSE, 3/4 A. F.B.	POWER SUPPLY PROTECTION SEE NOTE 2.
FC	171595	2	FUSE CLIP	
T1	183085	2	TERMINAL WITH WIRE LEAD	
T2			" " "	
J1	182540	1	CONTACT BLOCK, 15 POINT	
E	182641	6	TERMINALS MALE P.C.	
EC	183080	1	ETCHED CIRCUIT BOARD	
	151637	2	SCREW 4-40 FIL HEAD	
	110743	2	LOCK WASHER # 4	
	151880	2	NUT	
R3	118198	1	RESISTOR, 56,000 OHM	BLEEDER

THIS POWER PACK CONSISTS OF A 150 VOLT POWER SUPPLY OPERATING DIRECTLY FROM THE 117 VAC LINE. A WAVE SHAPING NETWORK AND AN ARC SUPPRESSOR. IT IS DESIGNED TO OPERATE WITH AN INDUCTIVE LOAD OF APPROXIMATELY 100 OHMS BETWEEN TERMINALS 6 AND 12. WITH A 850 OHM 40 WATT RESISTOR CONNECTED BETWEEN T1 AND T2.

AN ON-OFF CONTROL SWITCH IS CONNECTED BETWEEN TERMINALS 9 AND 3. THE UNIT IS DESIGNED TO DRIVE THE READER MAGNET IN THE MODEL 32 AND 33 ASR.

WCP

APPROVALS	
D AND R	E OF M
<i>[Signature]</i>	<i>[Signature]</i>
E. NUMBER	
PROD. NO. 183087	

SCALE: 1/1

STOCK SPECIFICATION

DRAWN T.R.	P.D. FILE NO	DATE
	1-47.60AA	6-7-62
DESIGNED	ENGINEER	CHECKED
	J.A.J.	AAH
APPROVED		
		BWB

SIZE	KIND	SHAPE	TEMPER

TELETYPE CORPORATION
183087