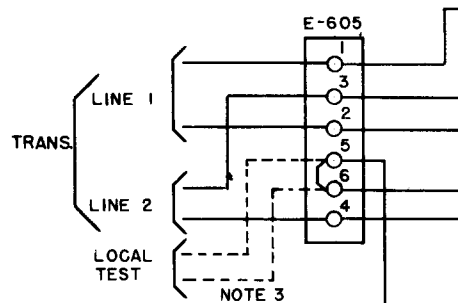
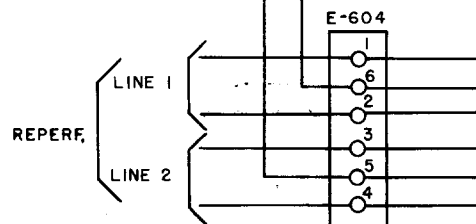
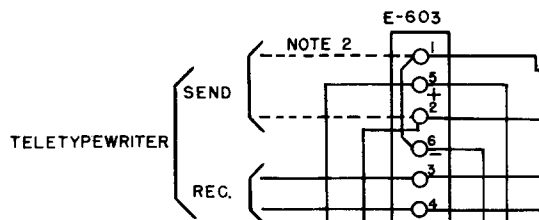


NOTES:

1. TRANSMITTER DISTRIBUTOR.

- A. FOR OPERATION OF TRANSMITTER RELEASE MAGNET FROM 115V D-C POWER SUPPLY, OMIT STRAP FROM 1 AND 2 OF R-901A. THIS PLACES 525 OHMS IN SERIES WITH MAGNET.
- B. FOR OPERATION ON 115V. 25-CYCLE POWER SUPPLY, STRAP TERMINALS 2 AND 3 OF R-901B AND OMIT STRAP FROM TERMINALS 1 AND 2 OF R-901A.
- C. FOR OPERATION ON 40, 50, OR 60-CYCLE POWER SUPPLIES, WITH ADJUSTED MOTOR VOLTAGE FROM REC-30, OR FOR OPERATION ON 115-V. 60-CYCLE POWER SUPPLY, STRAP TERMINALS 1 AND 2 OF R-901A AS SHOWN.
- D. TO OPERATE TRANSMITTER DISTRIBUTOR RELEASE MAGNET ON DIRECT CURRENT FROM RECTIFIER, REMOVE STRAPS 39 TO 41 AND 38 TO 42 ON BLOCK E-602. ADD STRAP 37 TO 38 AND 35 TO 39 ON E-602. REMOVE STRAP FROM RESISTOR R-901A OF TRANSMITTER DISTRIBUTOR RELEASE MAGNET SO THAT 525 OHMS ARE IN THE CIRCUIT. REFER TO TM11-2222

- 2. FOR INDEPENDENT TRANSMISSION FROM THE KEYBOARD REMOVE, SPLICE AND TAPE THE TWO WIRES CONNECTED TO TERMINALS 1 AND 2 OF E-603, THEN RUN THE SEND LINE TO TERMINALS 1 AND 2 AS SHOWN DOTTED.
- 3. THE LOCAL TEST LOOP CAN BE EXTENDED TO INCLUDE OTHER EQUIPMENT BY REMOVING THE STRAP FROM TERMINALS 5 AND 6 OF E-605 AND CONNECTING THE OTHER EQUIPMENT TO THESE TERMINALS.
- 4. UNLESS OTHERWISE SHOWN ALL RESISTORS ARE IN OHMS.



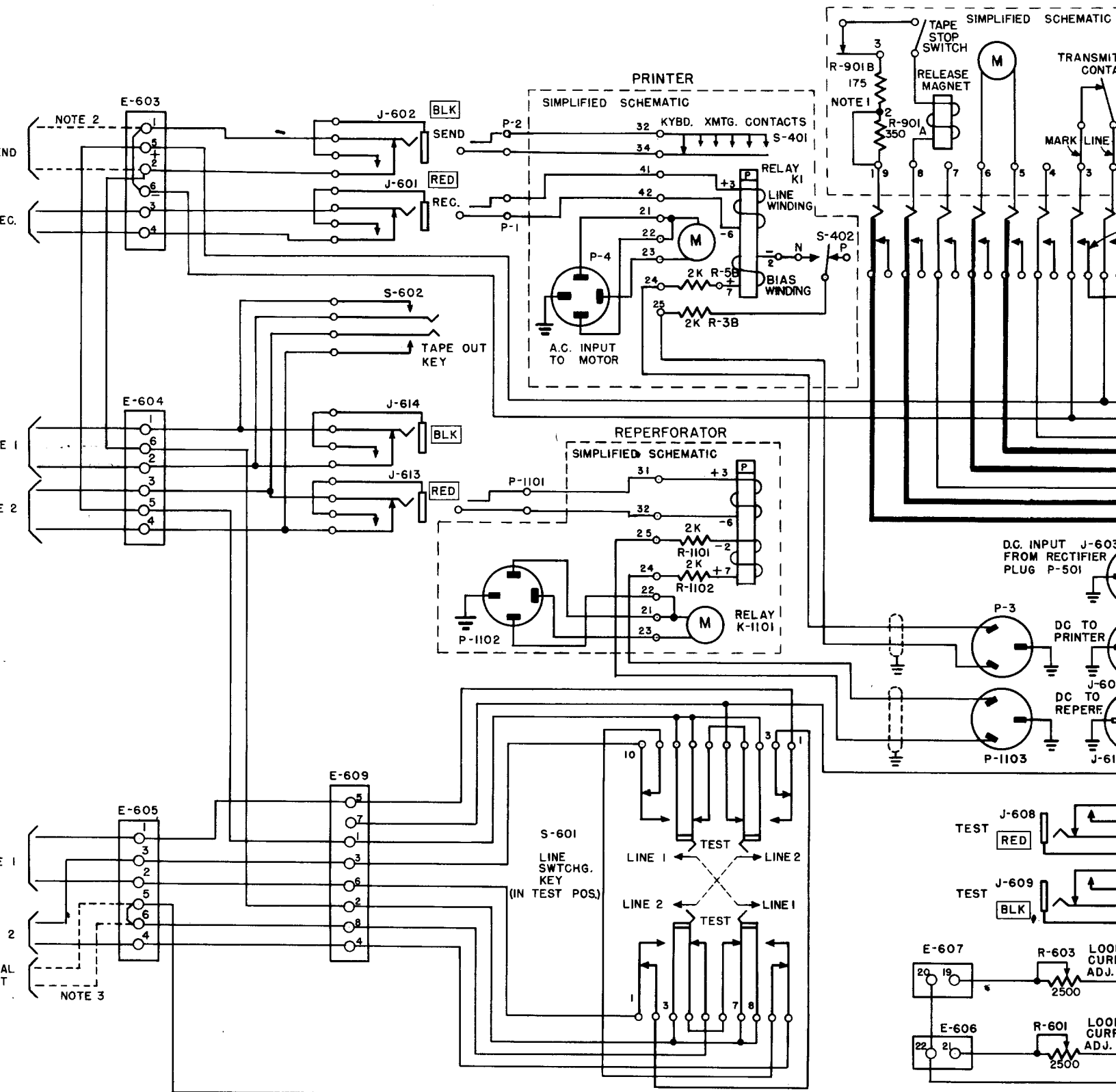
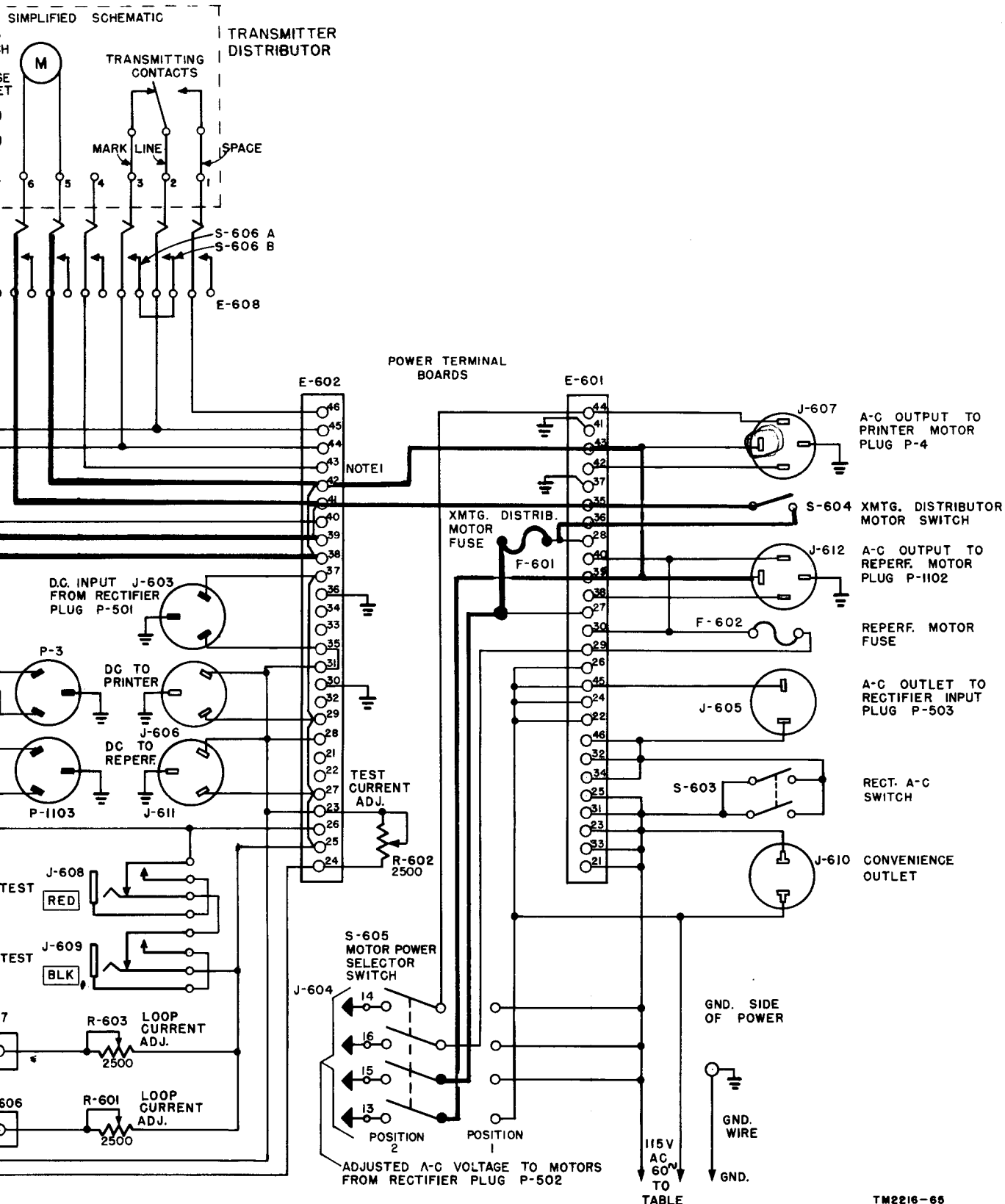


Figure 274. Table, schematic wiring diagram.



TM2216-65