

1. X AND Y DESIGNATED WIRES FROM V-501 AND V-502 CONNECT TO X AND Y DESIGNATED WIRES OF T-501.
2. X', AND Y' DESIGNATED WIRES FROM V-503 CONNECT TO X' AND Y' DESIGNATED WIRES OF T-501.

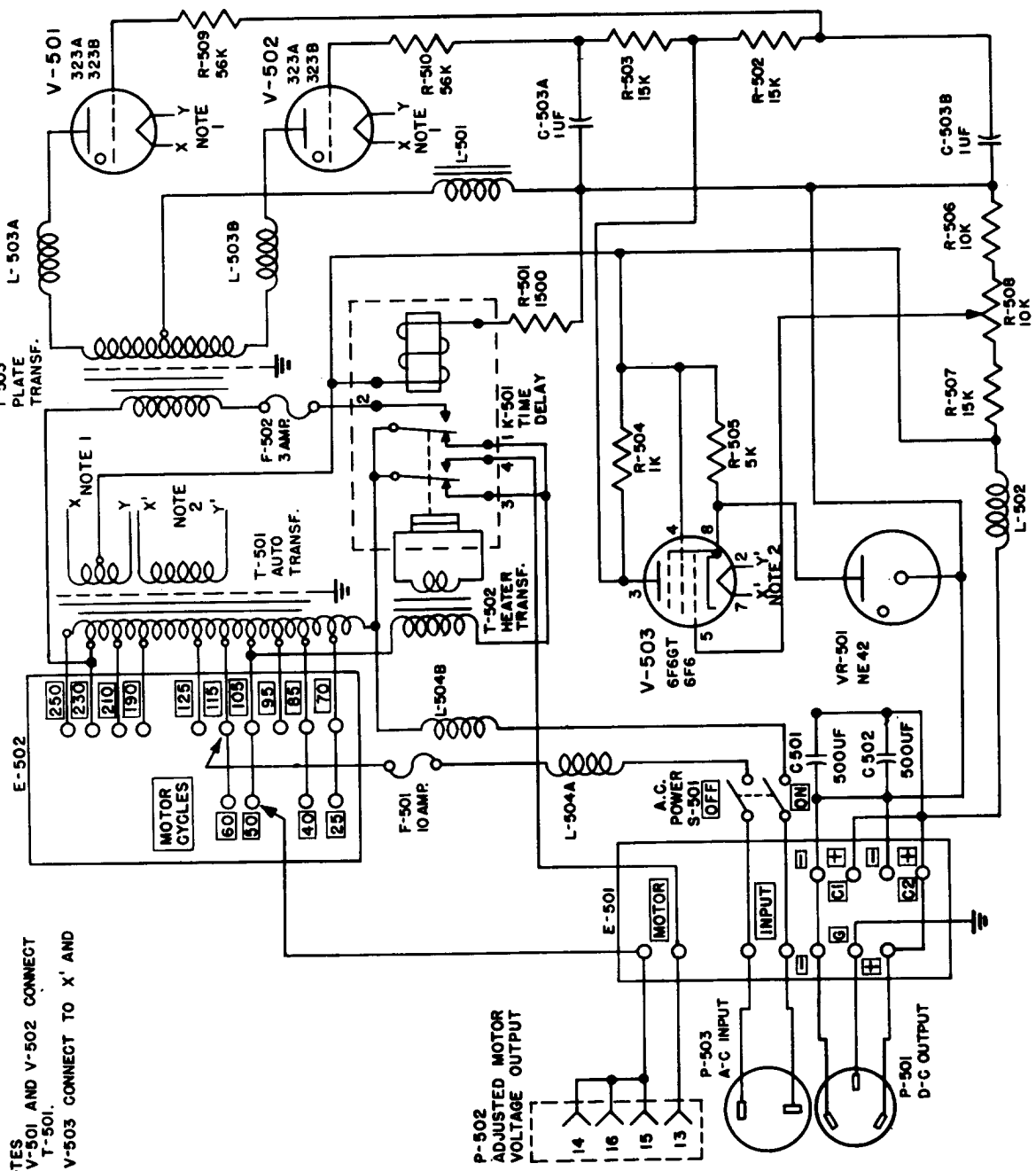


Figure 272. Rectifier, schematic wiring diagram.