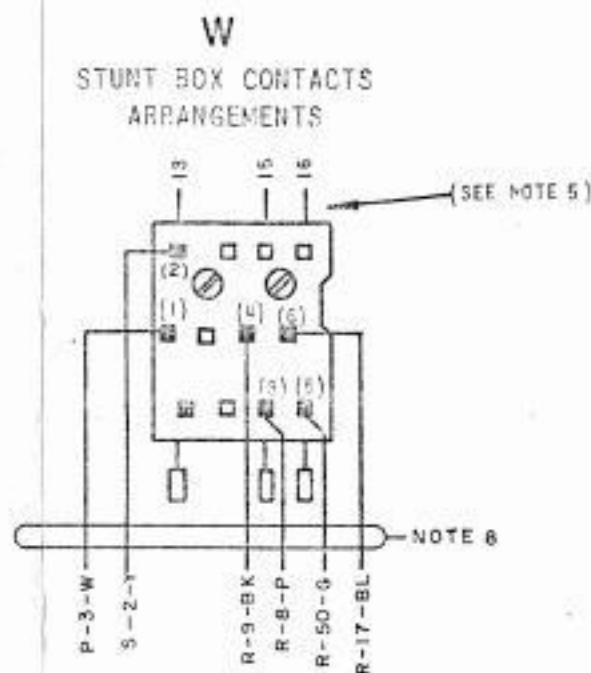
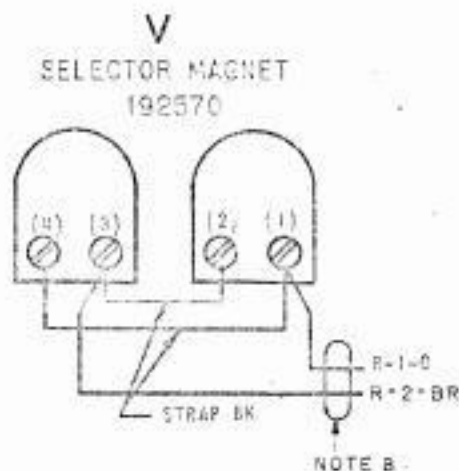


7990 WD

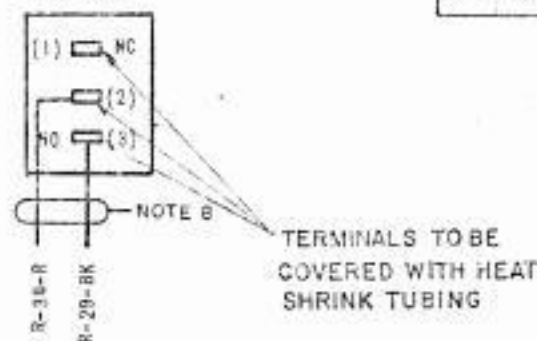
REVISIONS

NO.	DATE	AUTH. NO.
1	5-2-66	17793 R
2	10-22-66	92162
3	10-1-68	95264
4	8-20-73	0134-4

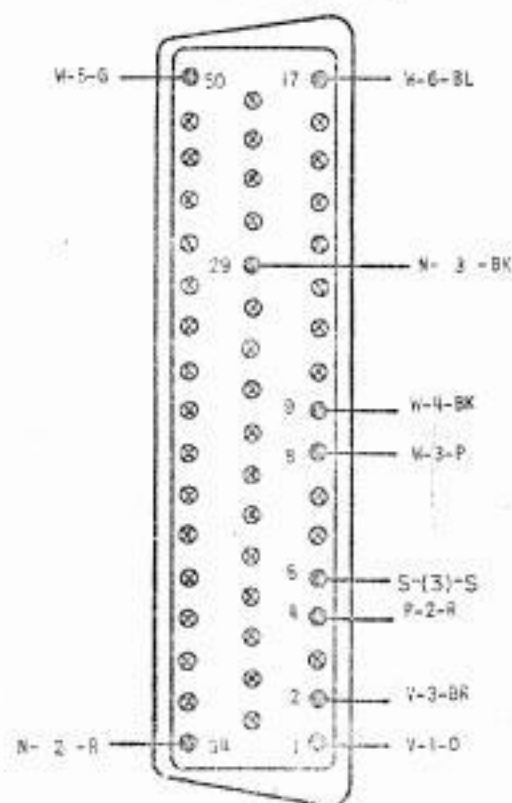
NO.	NOTES										
1.	<p>WIRING LEGEND:</p> <p>DISTANT TERMINATING AREA DISTANT TERMINATING DESIGNATION A-1-W-BL WIRE COLOR CODE</p>										
2.	<p>COLOR CODES:</p> <table border="0"> <tr> <td>BK-BLACK</td> <td>O-ORANGE</td> </tr> <tr> <td>BR-BROWN</td> <td>Y-YELLOW</td> </tr> <tr> <td>BL-BLUE</td> <td>R-RED</td> </tr> <tr> <td>S-SLATE</td> <td>P-PURPLE</td> </tr> <tr> <td>G-GREEN</td> <td>W-WHITE</td> </tr> </table>	BK-BLACK	O-ORANGE	BR-BROWN	Y-YELLOW	BL-BLUE	R-RED	S-SLATE	P-PURPLE	G-GREEN	W-WHITE
BK-BLACK	O-ORANGE										
BR-BROWN	Y-YELLOW										
BL-BLUE	R-RED										
S-SLATE	P-PURPLE										
G-GREEN	W-WHITE										
3.	CONTACT VIEWED FROM SOLDER TERMINAL ENDS.										
4.	CONNECTOR VIEWED FROM BOTTOM.										
5.	NUMBERS AT TOP OF STUNT BOX CONTACTS REFER TO SLOT POSITION IN STUNT BOX.										
6.	CONTACTS SHOWN IN UNOPERATED OR DE-ENERGIZED POSITION.										
7.	SELECTOR COIL IS WIRED FOR .500 AMP. OPERATION.										
8.	<p>ASSOCIATED CABLE ASSEMBLIES:</p> <p>CABLE ASSEMBLY-197045 (AREA R-W, P-S)</p> <p>CABLE ASSEMBLY-192484 (AREA R-V)</p> <p>CABLE ASSEMBLY-312552 (AREA R-W)</p>										
9.	<p>CONTACT ARM: (F)</p> <p>STRAIGHT F CONTACT NORMALLY CLOSED CROOKED F CONTACT NORMALLY OPEN</p>										
10.	TERMINAL DESIGNATION ENCLOSED IN PARENTHESES ARE NOT MARKED ON COMPONENT.										



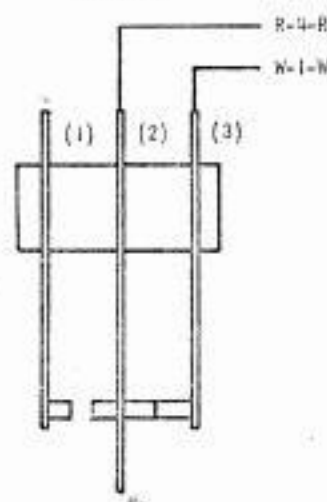
N
LOW PAPER SWITCH
305080



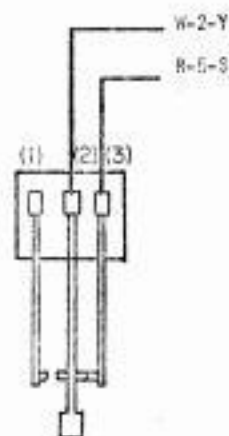
R
PRINTER CONNECTOR
192013 (NOTE 4)



P
HOR. TAB
CONTACTS
164478



S
VERT. TAB
CONTACTS
305475



ACTUAL
WIRING DIAGRAM
FOR
MODEL 35
TYPING UNIT
STUNT BOX-AUR
LP832
AND
LP854

(SPROCKET FEED)

APPROVALS

D AND R L OF M

ENGINEER

PROD. NO. 7990 WD

DATE: 5-16-63

WD FILE NO. 1-615, A11

DRAWN BY: ENK/

ENGR. IN CHARGE: A/S

TELETYPE
CORPORATION

7990 WD