


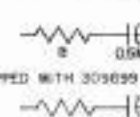
CONTROL LOGIC

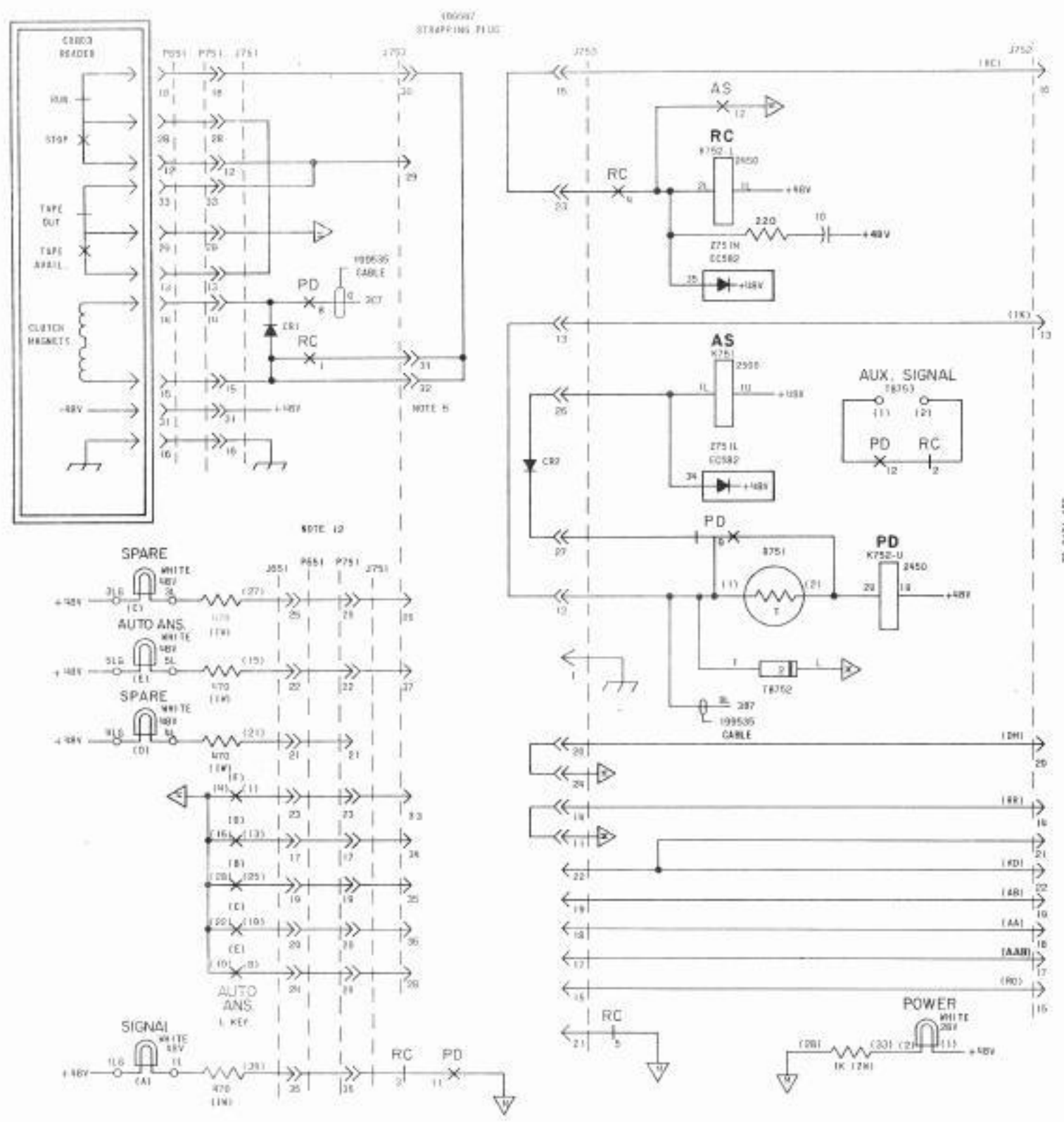
NOTE: REVISION INFORMATION MUST ALSO BE REFLECTED ON THE ISSUE CONTROL RECORD, WHICH IS A PART OF THIS DRAWING.

6442 WD

REVISIONS

ISSUE	DATE	AUTH. NO.
2	8-28-61	81228
3	8-18-61	83981
4	8-30-61	83985
5	10-28-61	84262
6	11-20-61	85082
7	4-26-65	85302
8	4-29-65	85363
9	5-19-65	87280
10	6-29-65	87284
11	8-11-65	88019
12	8-11-65	88020
13	8-23-66	88028
14	11-1-66	88054
15	11-23-66	92852-02

- NO. NOTES:
- REFER TO DRAWING 6444D & 7103WD FOR ACTUAL WIRING DIAGRAMS. 6442WD
 - TERMINAL DESIGNATIONS IN PARENTHESES () ARE FOR REFERENCE ONLY AND NOT MARKED ON COMPONENTS.
 - SL-EL INDICATES SLOW BLOWING.
 - ALL VOLTAGES DC UNLESS OTHERWISE SPECIFIED.
 - REMOVE PIN 32 WHEN CIRCUIT ASSURANCE AND BREAK FEATURE IS TO BE USED.
 - INDICATES MODULE SIGNAL GROUND.
 - NETWORK:

 - PH53 PLUGS INTO WALL OUTLET ON VS227 AND INTO J1703 ON ELECTRICAL SERVICE PANEL IN VS229.
 - REFERENCE SPECIFICATION FOR TELETYPE CORPORATION EMPLOYEES ONLY. 606025.
 - ALL RESISTORS 1/2 WATT AND RESISTANCE IN OHMS, UNLESS OTHERWISE SPECIFIED.
 - ALL CAPACITANCE IN MICROFARADS, UNLESS OTHERWISE SPECIFIED.
 - THE CONNECTION BETWEEN P651 & P751 MAY BE A GRAY CORD ON THE VS227 OR CABINET WIRING ON THE VS229.
 - NETWORK:


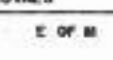




TO DATA SET

SEE ISSUE CONTROL RECORD FOR COMPLETE LIST OF SHEETS COMPRISING THIS W.D.

SHEET 1 WDP

**SCHEMATIC WIRING
DIAGRAM FOR
TYPE 5 DATA SPEED
TRANSMITTER CIRCUIT
(VS227 & VS229)
(VS247 & VS248)**
ASSEMBLY NO. 193001

APPROVALS	
 A. H. P.	 J. R. K.
E-NUMBER	
PROD. NO. 6442WD	
DATE 8-26-63	
P.D. FILE NO. I-A143AA	
DRAWN A. H. P.	CHKD. 
ENGR. J. R. K.	APPD. 

**TELETYPE
CORPORATION**

6442 WD

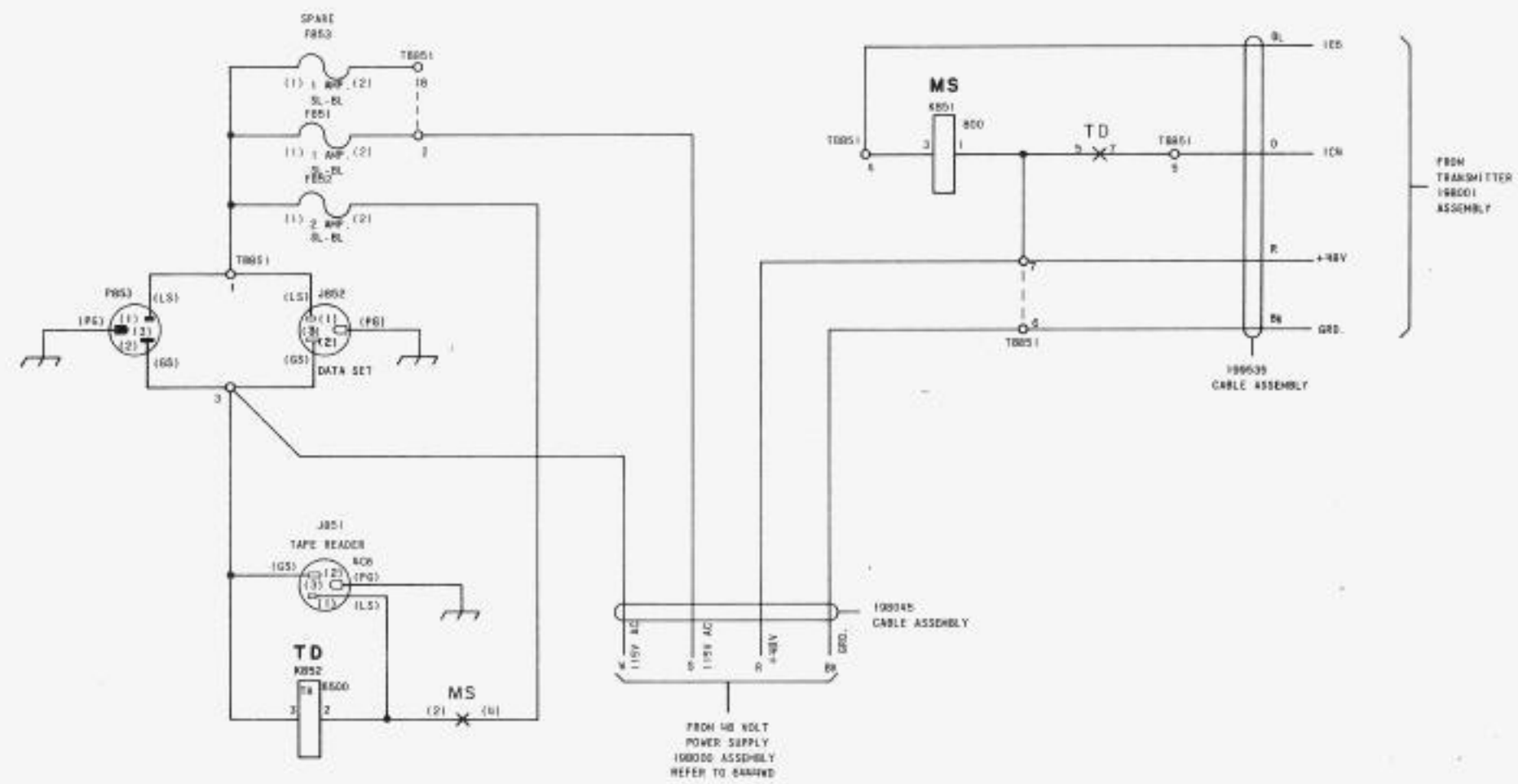
MOTOR CONTROL LOGIC

NOTE: REVISION INFORMATION MUST ALSO BE REFLECTED ON THE ISSUE CONTROL RECORD, WHICH IS A PART OF THIS W.D.

6442 WD

REVISIONS

ISSUE	DATE	AUTH. NO.
2	8-20-55	81276
3	8-18-55	81581
4	8-20-55	81580
5	10-20-55	81262
6	11-20-55	81980
7	4-25-55	85362
8	4-25-55	85363
9	5-19-55	87240
10	8-29-55	87240
11	8-11-55	88019
12	9-11-55	88020
13	5-23-56	88028
14	11-1-56	88034
15	11-23-56	8899-RC



SEE ISSUE CONTROL RECORD FOR COMPLETE LIST OF SHEETS COMPRISING THIS W.D.
SHEET 3

SCHEMATIC WIRING DIAGRAM FOR TYPE 5 DATA SPEED TRANSMITTER CIRCUIT (VS227 & VS229) (VS247 & VS248)
ASSEMBLY NO. 100045

APPROVALS

D AND R	E OF M
---------	--------

E-NUMBER

PROD. NO. 6442 WD

DATE 8-20-53

P.D. FILE NO. 1-A143AA

DRAWN A.P.H. CHKD. J.H.H.

ENGD. J.H.H. APPD. J.H.H.

TELETYPE CORPORATION

15 **6442 WD**

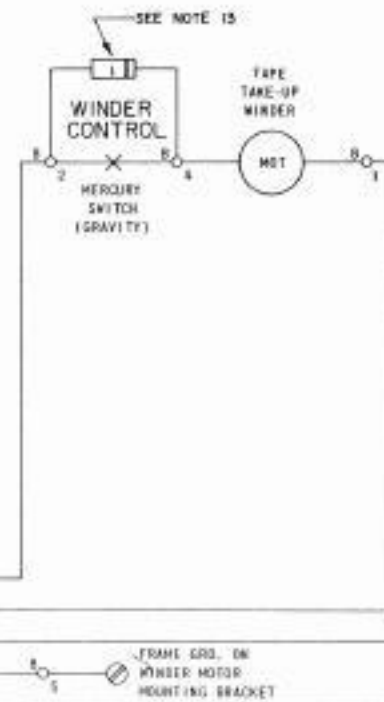
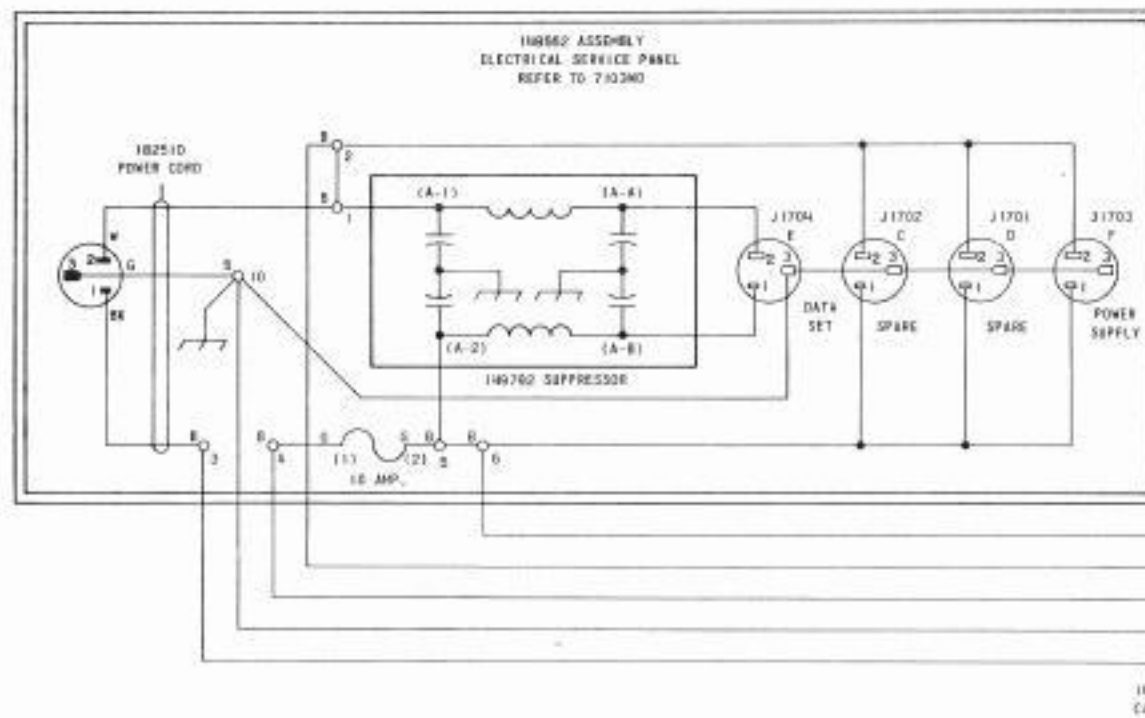
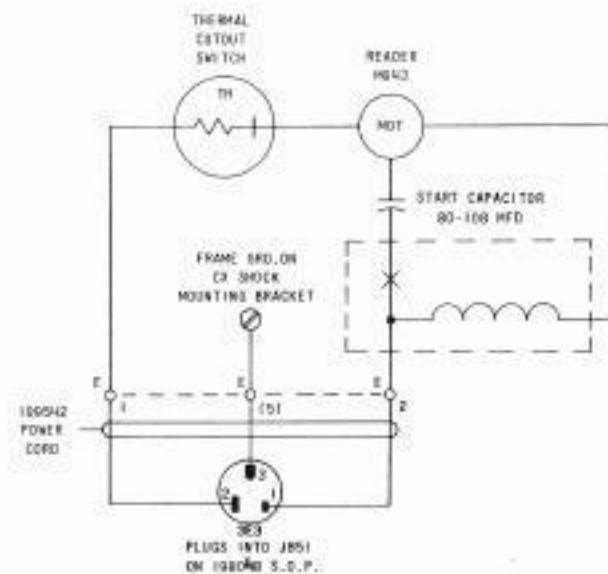
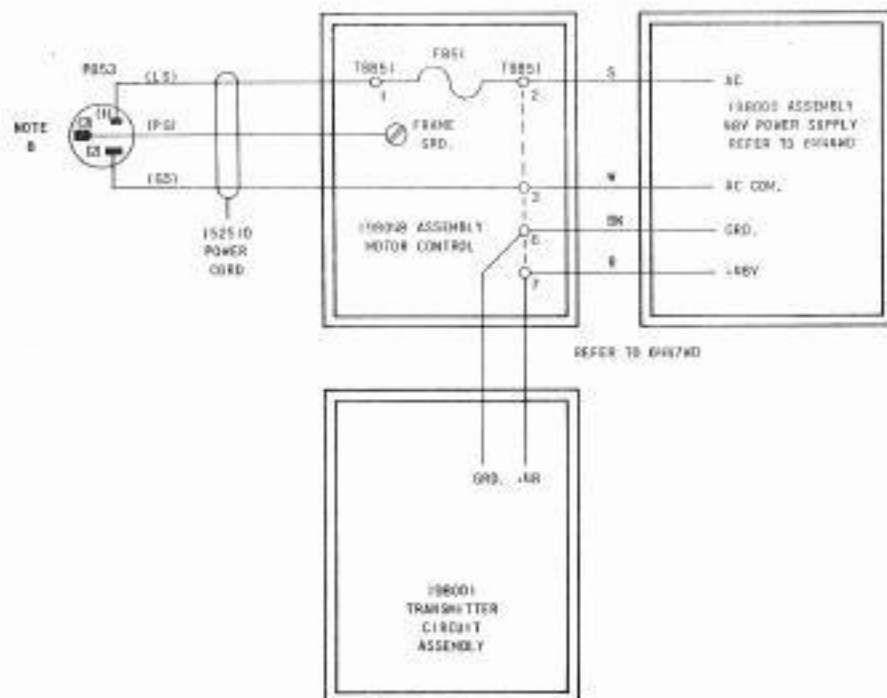
POWER DISTRIBUTION

NOTE: REVISION INFORMATION MUST ALSO BE REFLECTED ON THE ISSUE CONTROL RECORD, WHICH IS PART OF THIS W.D.

6442 WD

REVISIONS

ISSUE	DATE	AUTH. NO.
2	6-29-65	97244
3	11-1-65	88034
4	8-23-66	92889C



SEE ISSUE CONTROL RECORD FOR COMPLETE LIST OF SHEETS COMPRISING THIS W.D.

SHEET 4

SCHEMATIC WIRING DIAGRAM FOR TYPE 5 DATA SPEED TRANSMITTER CIRCUIT (VS227 & VS229) (VS247 & VS248)

APPROVALS

D AND R	E OF M
---------	--------

E-NUMBER

PROD. NO. 6442WD

DATE 8-25-63

R.D. FILE NO. 1-A143AA

DRAWN A. J. F. CHKD. [Signature]

ENGD. J. T. H. APPD. [Signature]

TELETYPE CORPORATION

6442 WD