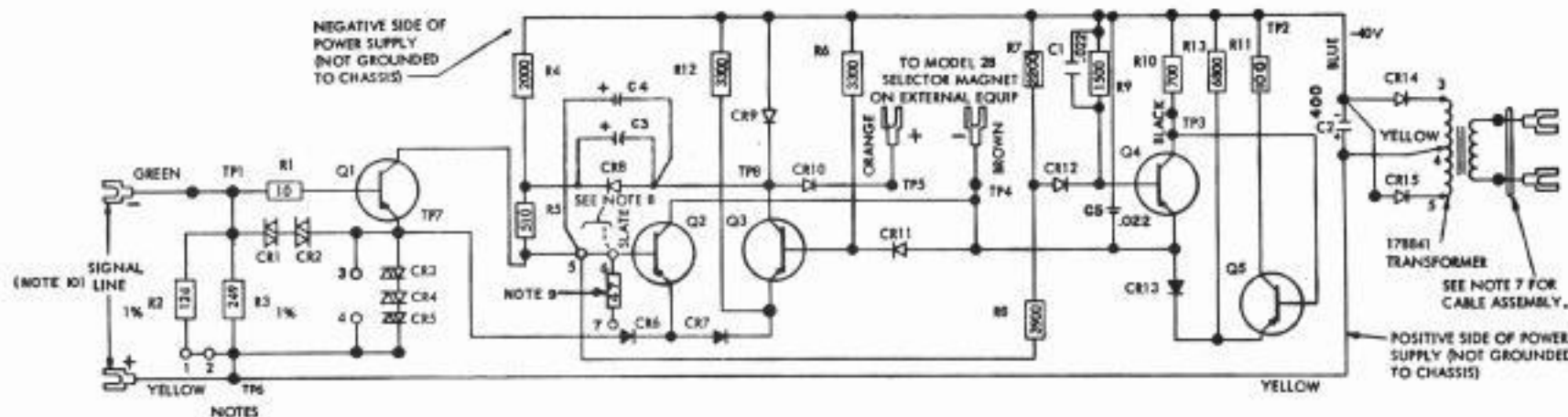
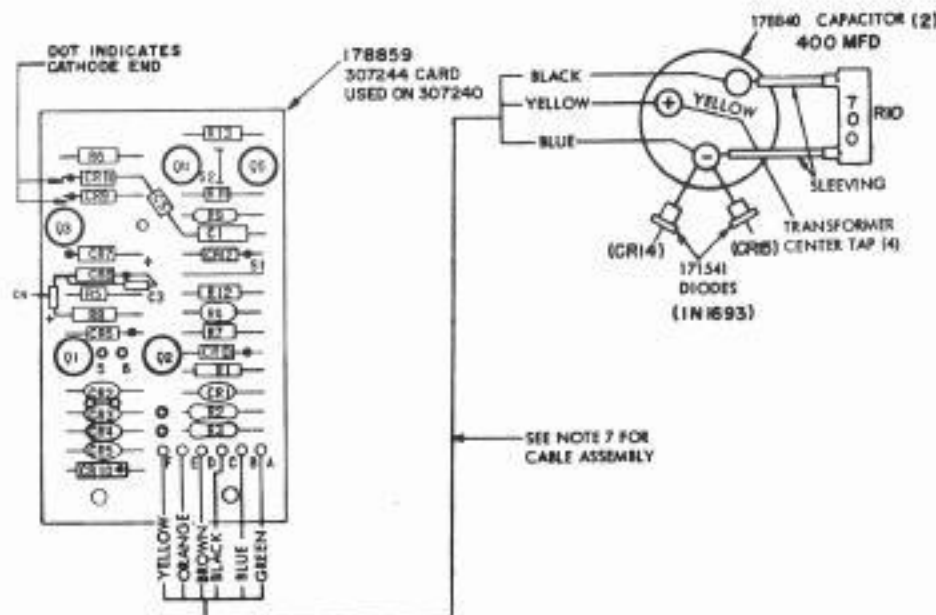
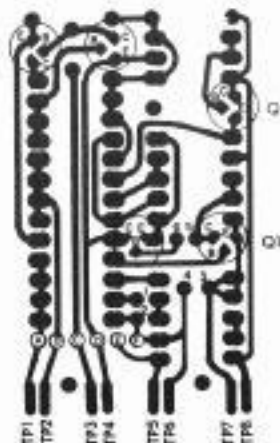


REVISIONS

| ISSUE | DATE | AUTH NO |
|-------|----------|---------|
| 2 | 10-18-61 | 71241 |
| 3 | 11-29-61 | 71673 |
| 4 | 2-7-62 | 72360 |
| 5 | 10-5-62 | 74258 |
| 6 | 10-18-62 | 74878 |
| 7 | 3-4-63 | 76176 |
| 8 | 2-27-64 | 81052 |
| 9 | 8-9-64 | 83349 |
| 10 | 10-9-64 | 84154 |
| 11 | 3-9-65 | 85151 |

- NO. NOTES
- UNITS WIRED FOR 115V 50/60 CYCLE OPERATION ONLY.
 - SELECTOR COILS IN PARALLEL FOR ALL CONDITIONS OF OPERATION.
 - STRAPPING FOR INPUT OPTIONS:
 .020 AMP. NEUTRAL OPERATION:
 1-2 OPEN 3-4 OPEN
 .080 AMP. NEUTRAL OPERATION:
 1-2 STRAPPED 3-4 OPEN
 .020 TO .030 AMP. POLAR OPERATION:
 1-2 OPEN 3-4 STRAPPED
 - FOR NORMAL OPERATION TERMINALS 5 & 6 ARE STRAPPED. TO "BLIND" THE SELECTOR (STEADY MARKING CONDITION), CONNECT 5 & 6 TO POSITIVE SIDE OF POWER SUPPLY THROUGH A 57 OHM RESISTOR AND AUXILIARY CONTROL CONTACTS. SEE NOTE 9.
 - FACTORY STRAPPING: 1-2, 5-6.
 - ALL RESISTORS 5% TOLERANCE UNLESS OTHERWISE INDICATED.
 - ASSOCIATED CABLES: USED ON:
 17886-----177010
 17887-----309424
 17888-----178001
 17889-----178527
 198359-----198360
 307240-----307240
 - WHEN INSTALLING 178527 CABLE ASSEMBLY ADD SLATE LEAD TO TERMINAL 6 AS SHOWN.
 - 195528 MOD. KIT TO ADD BLINDING RESISTOR, USED ON 198360 SMD, 309424 SMD.
 - 307240 DRIVER USES A 307244 CARD IN WHICH R2 AND R3 RESISTORS (124Ω AND 280Ω RESPECTIVELY) ARE REPLACED BY A 820Ω RESISTOR. THIS PROVIDES FOR A -5 VOLT SPACE AND 0 VOLT MARK INPUT. 309424 DRIVER TO BE WIRED FOR POLAR OPERATION (OPTION NOTE 31).
 - SPECIFICATIONS APPLICABLE ARE 80,2395 AND 80,0425.



ACTUAL & SCHEMATIC WIRING DIAGRAM FOR SELECTOR MAGNET DRIVER ASSEMBLY 177010, 178507, 178501, 198360, 307240, 309424

APPROVALS
 D AND R _____ E OF M _____

E-NUMBER
 PROD. NO. 4445WD
 DATE 5-29-61
 P.D. FILE NO. 20-15844
 DRAWN _____ CHKD. _____
 ENGR. F. J. W. _____ APPD. _____

TELETYPE CORPORATION
 4445 WD