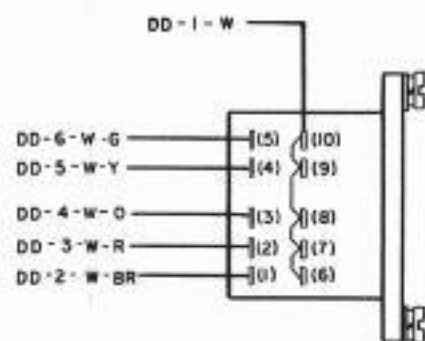


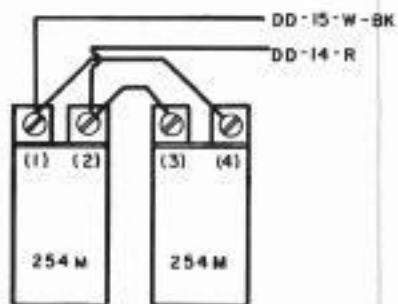
3457WD

ISSUE	DATE	AUTH. NO.
A	1-20-56	TP-3016
B	12-9-56	28-10280

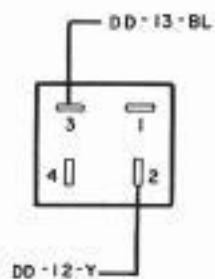
DA
CODE READING CONTACTS



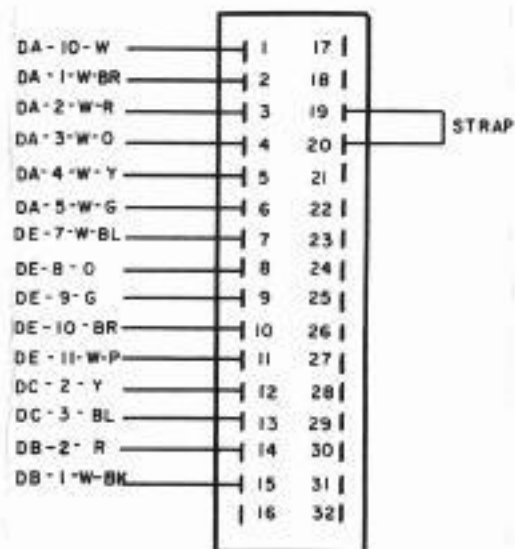
DB
SELECTOR COILS



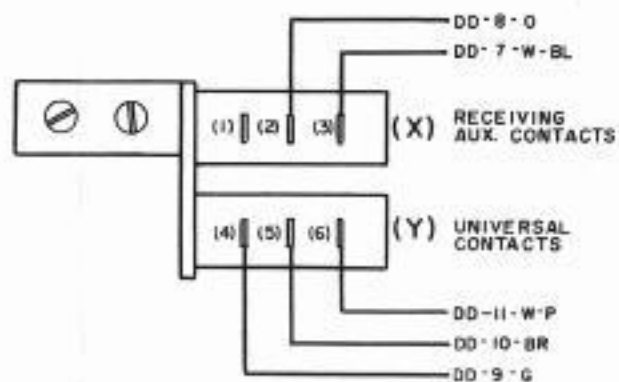
DC
ALARM CONNECTOR



DD
REPERFORATOR CONNECTOR



DE
AUXILIARY CONTACTS



FOR SCHEMATIC SEE 3281WD

ACTUAL
WIRING DIAGRAM
MODEL 28
TYPING REPERFORATOR
LPR 3 AND LRPE 4

APPROVALS

D AND R E O M
[Signatures]

E. NUMBER 12E 47

PROD. NO. 3457 WD

DATE: 10-26-57

P.D. FILE NO. 1-116.65 AA

DRAWN. P.S. CHKD.

ENGD. A.A.H. APPD. *[Signature]*

TELETYPE
CORPORATION

3457WD