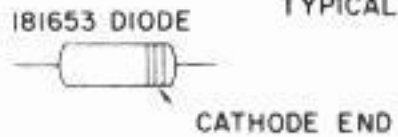
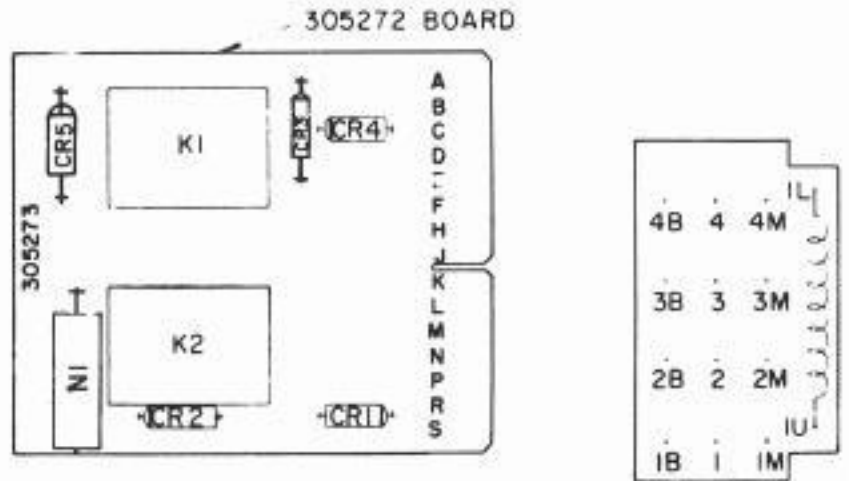


CIRCUIT BOARD

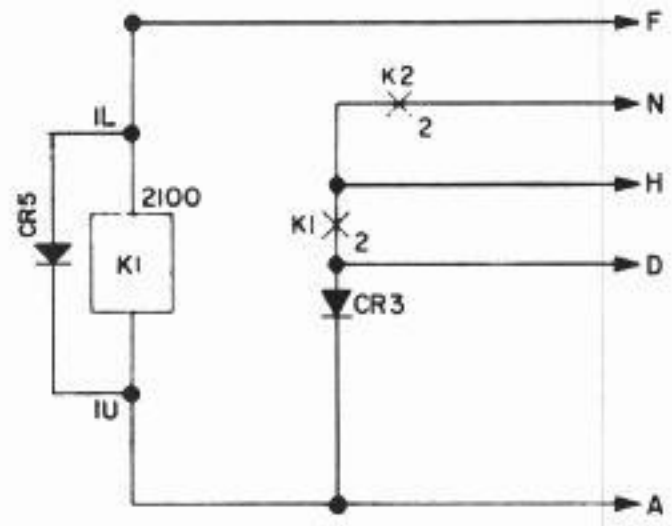
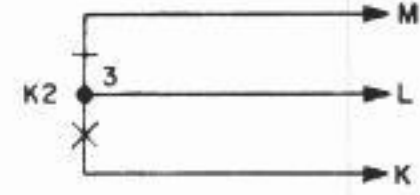
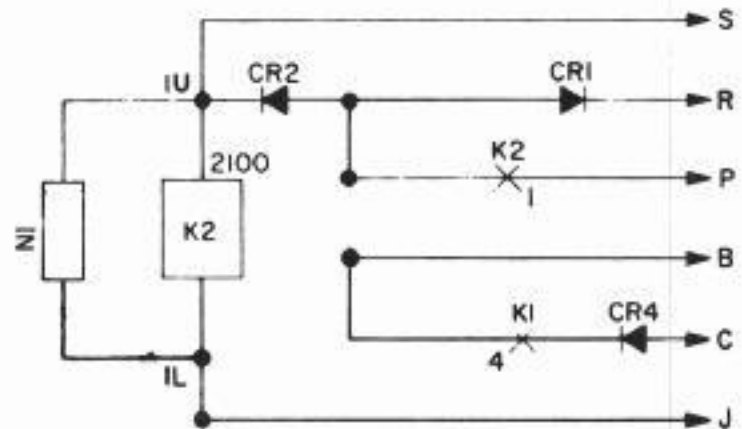
305273

ISSUE	DATE	AUTH NO
1	10-15-64	16191-R
2	1-29-65	83240
3	6-9-65	86674
4	7-2-65	86617-1
5	9-13-65	87498-1



NOTE: REFER TO 7301WD FOR DRILLING.

REF DESIGN	TELETYPE PART NO.	TOTAL QTY	NAME AND DESCRIPTION	LOCATING FUNCTION
K1	198442	2	MA6 RELAY	
K2			SAME AS K1	
CR1	181653	5	DIODE IN645	
CR2			SAME AS CR1	
CR3			" " "	
CR4			" " "	
CR5			" " "	
NI	153631	1	NETWORK CONTACT PROTECTION	
	60340RM	2	TUBING (BLACK) 0.30 TOTAL FT.	
	305272	1	CIRCUIT CARD, ETCHED	



APPROVALS

D AND R E OF M

E NUMBER

PROD NO 305273

DATE 5-20-64

PD FILE NO 10-58 65AA

DRAWN VES CHKO

ENGD APPD

TELETYPE CORPORATION

305273