

SYNCHRONOUS MOTOR UNITS

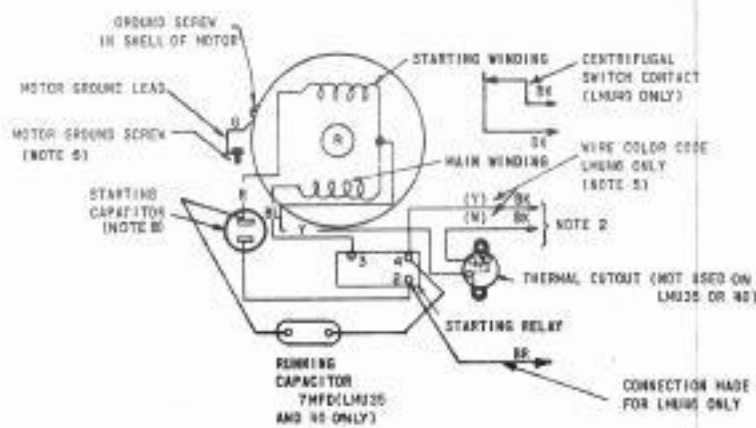
NOTE:
REVISION INFORMATION MUST ALSO BE
REFLECTED ON THE ISSUE CONTROL REC-
ORD, WHICH IS A PART OF THIS DRAWING.

2900WD

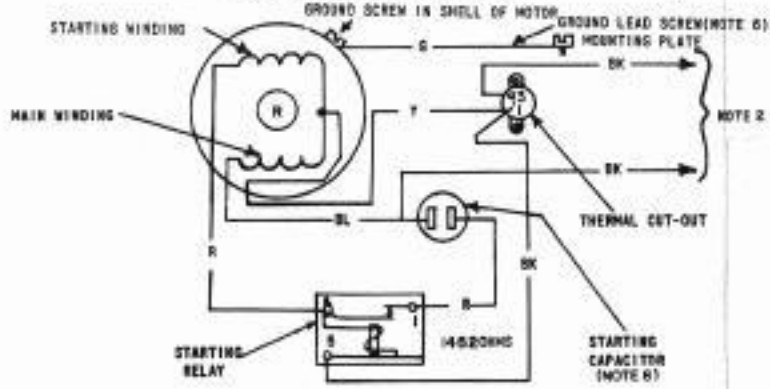
REVISIONS

ISSUE	DATE	AUTH. NO.
L	2-15-60	28-12917
M	5-17-60	28-13280
N	5-27-60	28-13351
P	7-5-60	28-13828
Q	9-13-60	28-13925
R	12-14-60	28-14425
S	6-23-61	70785
T	8-8-61	70555
U	10-15-61	71071
V	11-25-61	71605
W	2-24-62	74285
X	6-20-62	74637
Y	11-29-62	75215
Z	4-15-63	76525
AA	4-19-63	76522
AB	5-16-63	76925
AC	5-28-63	76135
AD	8-22-63	77835
AE	1-13-64	79965
AF	1-28-64	78735-1
AG	4-13-64	78735-2
AH	5-22-64	80005
AI	11-4-64	85305
AJ	3-4-65	82432
AK	4-10-65	82532-1
AL	9-22-65	82532-2
AM	11-6-65	82532-3
AN	11-10-65	87805
AO	2-23-66	90555
AP	4-5-66	90555
AQ	9-21-66	91755
AR	2-27-68	95441

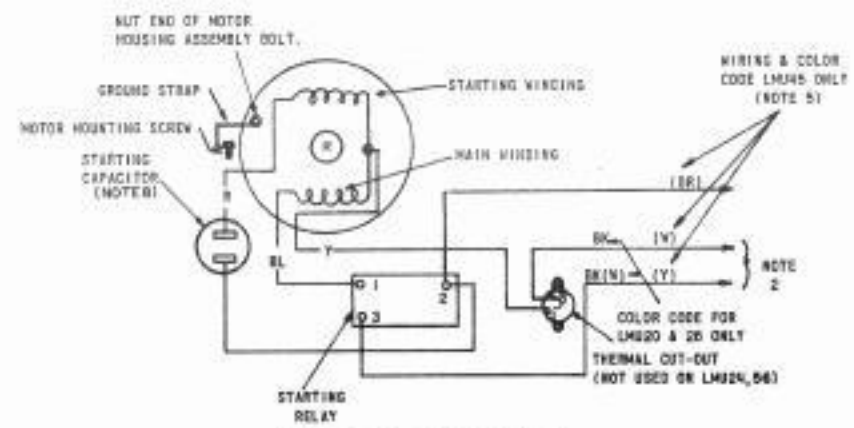
- NOTES
1. SYNCHRONOUS MOTOR OPERATES ON REGULATED FREQUENCY (± 0.75%) MAXIMUM AC ONLY.
 2. CONNECT EITHER WIRE TO DESIGNATED TERMINALS OF UNIT TERMINAL BLOCK, PER WIRING DIAGRAM OF ASSOCIATED UNIT.
 3. MOTOR LEADS OF SAME COLOR ARE INTERCHANGEABLE.
 4. EXTERNAL NOISE SUPPRESSION NETWORK CONSISTING OF 100 OHM, 1/2 WATT RESISTOR IN SERIES WITH 0.25 MFD 16 V. CAPACITOR CONNECTED ACROSS YELLOW AND BROWN WIRES. (FOR LM45, 56)
 5. MOTOR GROUND LEAD (GREEN) TERMINAL MUST BE FASTENED TO MOUNTING CRADLE OF MOTOR UNDER A SEPARATE GROUND SCREW ONLY. A SCREW USED FOR ANOTHER PURPOSE CANNOT BE USED FOR GROUNDING (UNDERWRITERS LABORATORIES REQUIREMENT).
 6. WIRE COLOR CODE:
 BK - BLACK R - RED
 BL - BLUE O - ORANGE
 BR - BROWN Y - YELLOW
 P - PURPLE S - SLATE
 W - WHITE G - GREEN
 7. LMU STARTING CAPACITOR VALUE



LMU 3, 11, 12, 15, 21, 30, 37, 42, 46, 49
FOR USE WITH 115V AC 60~POWER SUPPLY
LMU 33, 35, 36, 38, 40, 51, 52
FOR 115V AC 60~POWER SUPPLY
LMU 55
FOR 230 V.A.C. 50~POWER SUPPLY



LMU 50,
FOR USE WITH 115V AC 60~POWER SUPPLY ONLY



LMU 19, 20, 24, 26, 31, 45, 56
FOR USE WITH 115V AC 60~POWER SUPPLY ONLY

SEE ISSUE CONTROL RECORD FOR COMPLETE LIST OF SHEETS COMPRISING THIS W.D.

SHEET 1

ACTUAL
WIRING DIAGRAM
FOR
MODEL 28 & 30
MOTOR UNITS

APPROVALS
S AND R E OF M

C-NUMBER
PROD. NO. 2900WD
DATE 1-28-65
P.D. FILE NO. 1-30.05.1564
DRAWN E.R. CHD. P.E.T.
ENGD. S.H.S. APPD.

TELETYPE CORPORATION
2900WD

SERIES GOVERNED MOTOR UNITS

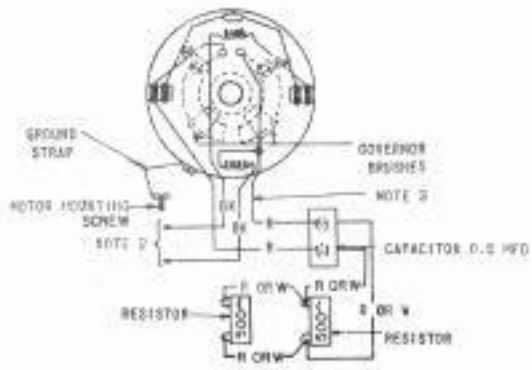
NOTE: REVISION INFORMATION MUST ALSO BE REFLECTED ON THE ISSUE CONTROL RECORD, WHICH IS A PART OF THIS DRAWING.

2900WD

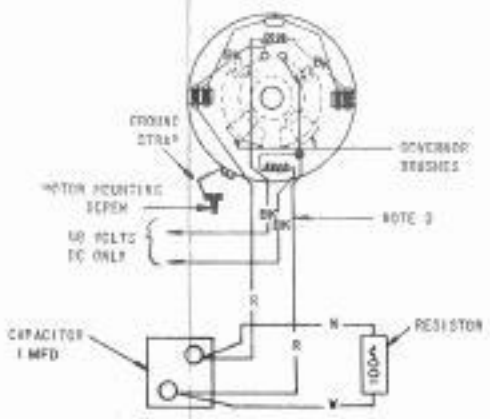
REVISIONS

ISSUE	DATE	AUTH. NO.
L	2-15-60	28-12447
M	2-17-60	28-13282
M	2-27-62	28-13261
P	7-5-62	28-13694
Q	9-13-60	28-13699
R	12-18-60	28-14020
S	6-23-61	70255
T	8-8-61	70259
U	10-18-61	71471
V	11-30-61	71835
W	8-24-62	74285
X	9-22-62	74657
Y	11-29-62	78219
Z	8-15-63	76589
AA	8-15-63	76592
AB	8-15-63	76595
AC	8-28-63	76198
AD	8-22-63	77888
AE	1-13-64	78989
AF	1-24-64	79739-1
AG	8-13-64	79739-2
AH	8-22-64	80098
AI	11-4-64	82384
AJ	3-4-65	82932
AK	4-10-65	82932-1
AL	9-22-65	82932-3
AM	11-9-65	82932-5
AN	11-10-65	87444
AO	2-22-66	90356
AP	4-5-66	90428
AQ	4-25-67	93775
AR	5-26-67	94128-RC

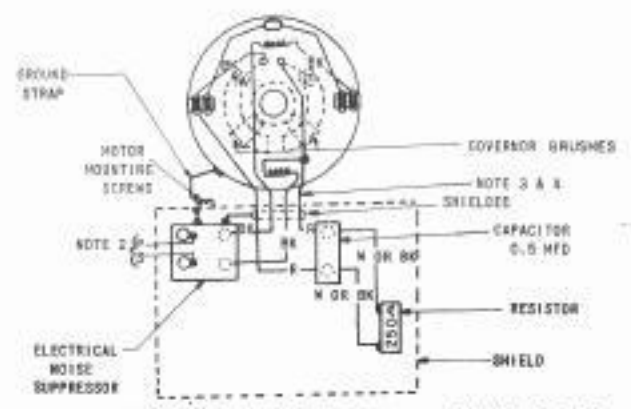
- NOTES**
1. A. AC SERIES MOTOR UNITS OPERATE ON UNREGULATED AC POWER.
B. ASSOCIATED LEMU MUST BE EQUIPPED WITH CAPACITOR-RESISTOR ASSEMBLY FOR DC OPERATION OF GOVERNED MOTORS.
 2. CORRECT EITHER WIRE TO DESIGNATED TERMINALS OF UNIT TERMINAL BLOCK, PER WIRING DIAGRAM OF ASSOCIATED UNIT.
 3. MOTOR LEADS OF SAME COLOR ARE INTERCHANGEABLE.
 4. MOTOR LEADS ARE ENCLOSED IN APPROXIMATELY 10" LONG COPPER SHIELDING & PASTERED TO MOTOR AND CONTROL PARTS COMPARTMENT. (FOR LHM25).
 5. LHM4, 10, AND 14 MOTOR UNITS (UNIVERSAL SERIES GOVERNED) CONTAIN TWO 500 OHM RESISTORS WIRED IN PARALLEL EQUIVALENT TO 250 OHMS.
LHM4 MOTOR UNIT SUPERSEDED BY LHM1 MOTOR UNIT.
LHM10 MOTOR UNIT SUPERSEDED BY LHM7 MOTOR UNIT.
LHM14 MOTOR UNIT SUPERSEDED BY LHM30 MOTOR UNIT.
 6. WIRE COLOR CODE:
BK - BLACK R - RED
BL - BLUE O - ORANGE
BR - BROWN Y - YELLOW
P - PURPLE S - SLATE
W - WHITE G - GREEN



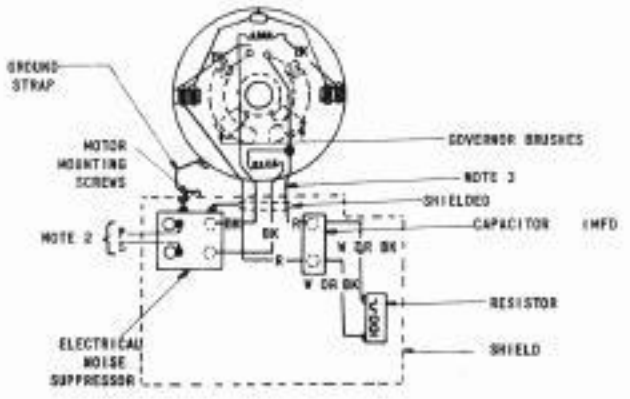
LMU 6,13 (UNIVERSAL)
WITHOUT RADIO FREQUENCY SUPPRESSORS
FOR USE WITH EITHER 115V AC 50-60~OR 110V DC POWER SUPPLY (NOTE 1E).



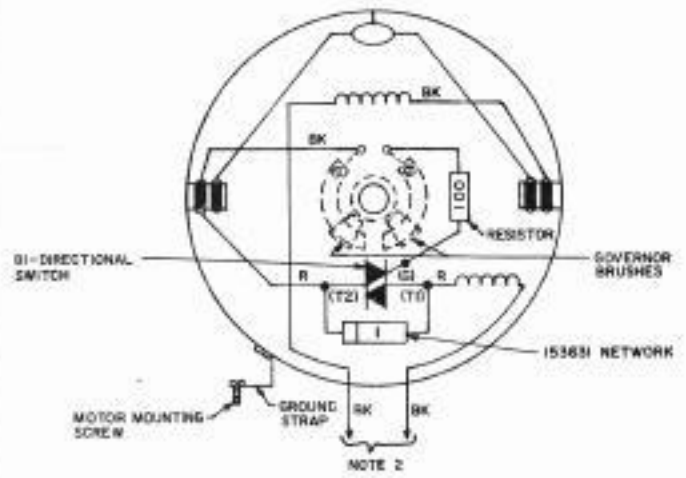
LMU 23 (48 VOLTS)
WITHOUT RADIO FREQUENCY SUPPRESSORS
FOR USE ON 48 VDC POWER SUPPLY ONLY.



LMU 28,32,39,41,47 (UNIVERSAL)
WITH RADIO FREQUENCY SUPPRESSORS
FOR USE WITH EITHER 115V AC 50-60~OR 110 V DC POWER SUPPLY (NOTE 1E).



LMU 29 (48 VOLTS)
WITH RADIO FREQUENCY SUPPRESSORS
FOR USE ON 48 VOLT DC POWER SUPPLY ONLY.



LMU 57 (115 VOLTS AC)
WITHOUT RADIO FREQUENCY SUPPRESSORS
FOR USE ON 115 VOLTS AC ONLY.

SEE ISSUE CONTROL RECORD FOR COMPLETE LIST OF SHEETS COMPRISING THIS

W3

SHEET 2

ACTUAL
WIRING DIAGRAM
FOR
MODEL 28 & 33
MOTOR UNITS

APPROVALS

D AND R	E OF M
---------	--------

E-NUMBER	
PROD. NO. 2900WD	
DATE 1-28-65	
R.D. FILE NO. 1-30-65-156A	
DRAWN C.S.	CHKD. R.D.
ENGD. S.M.D.	APPD.

TELETYPE CORPORATION

2900WD