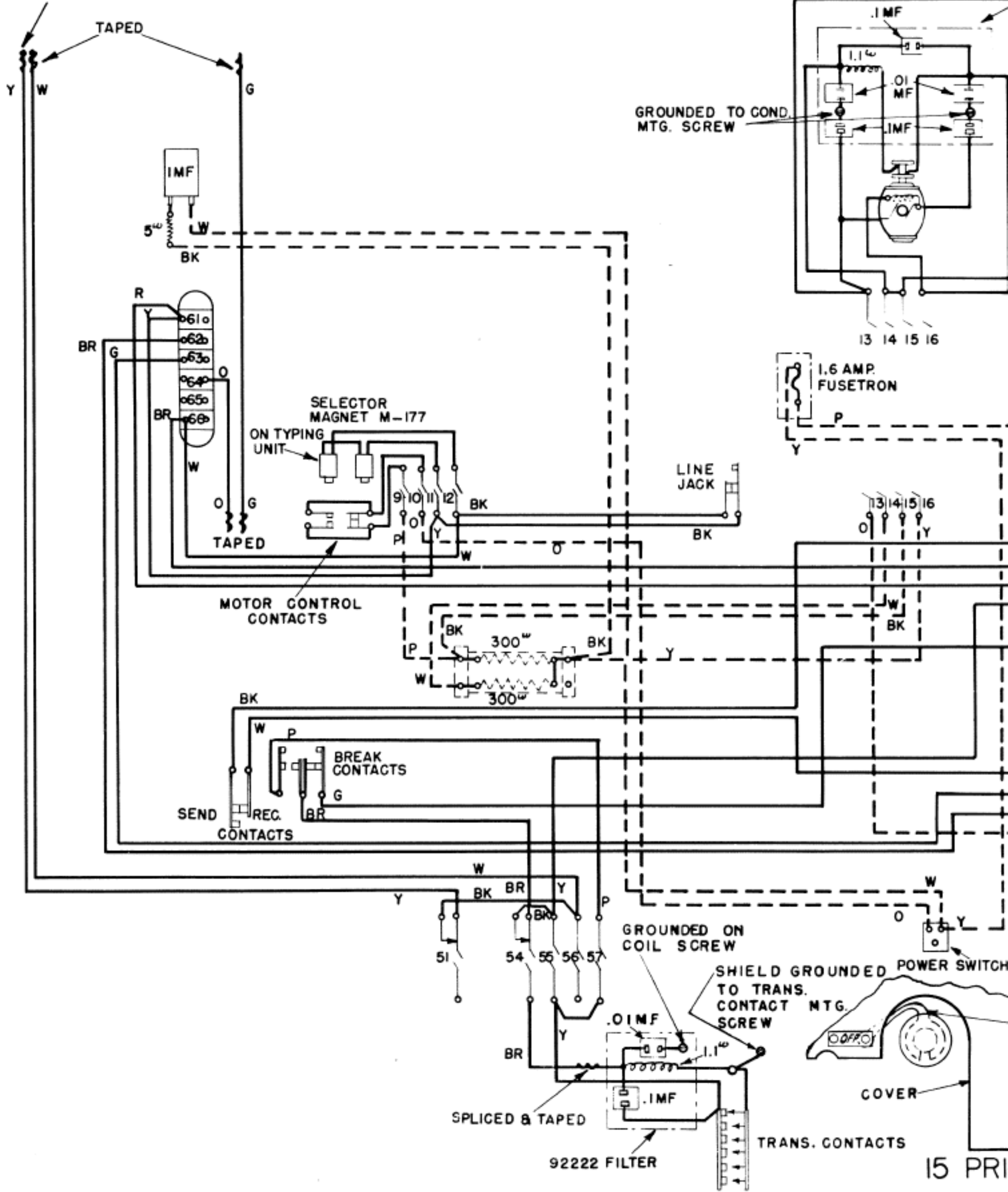
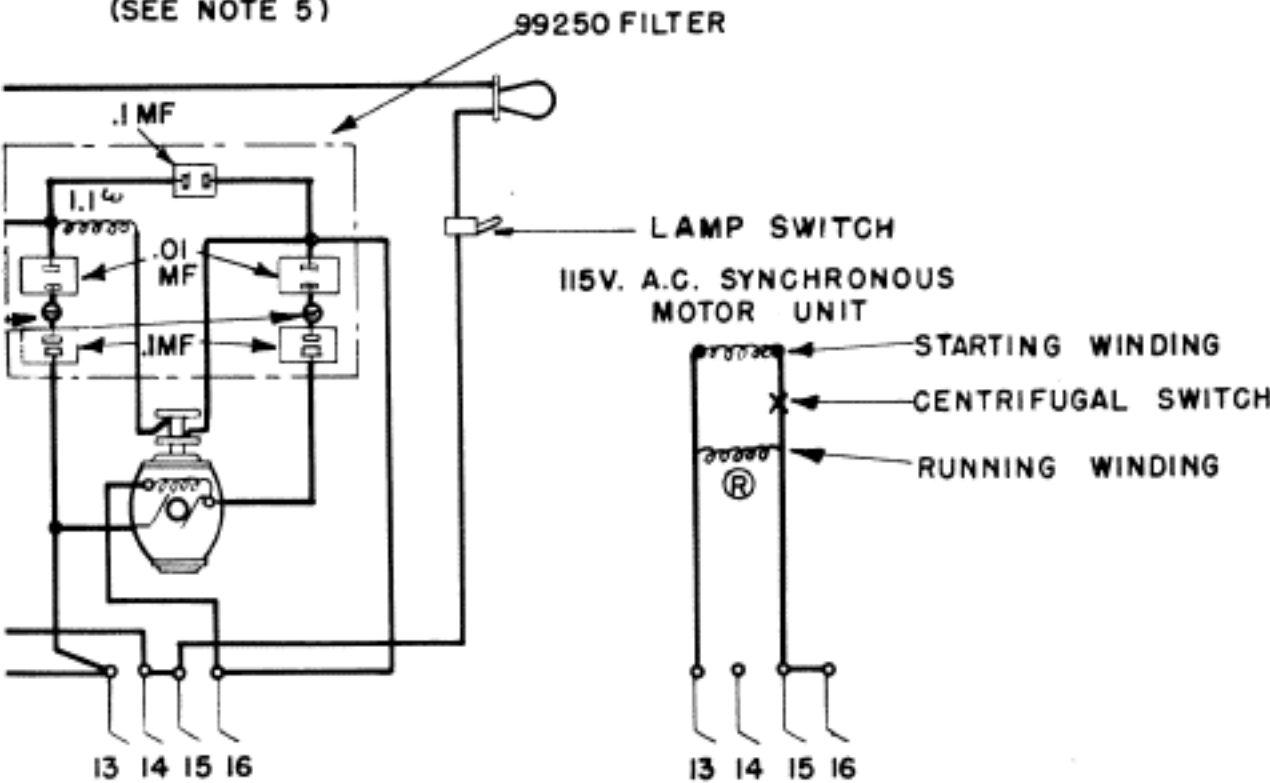


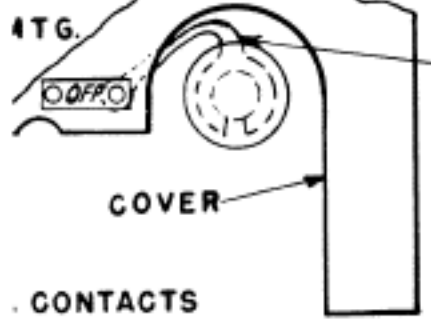
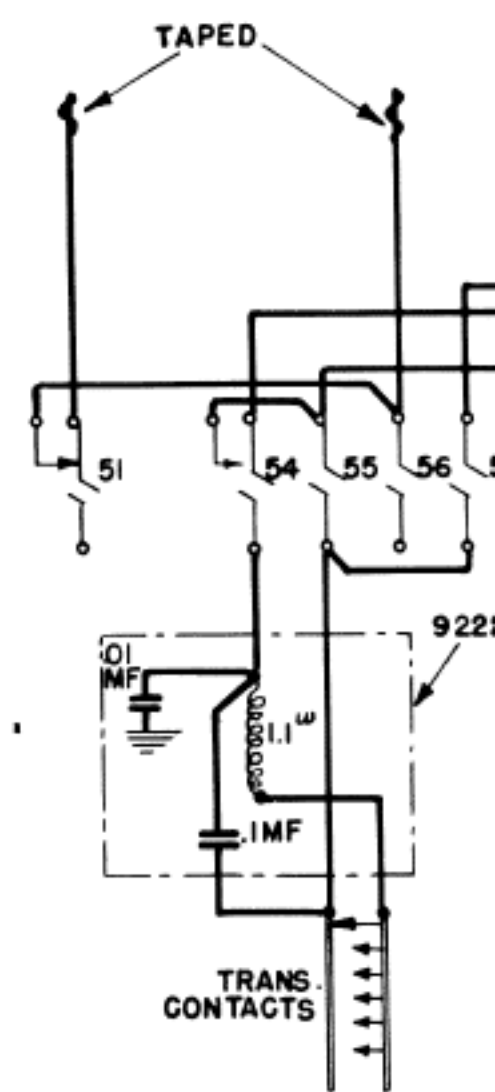
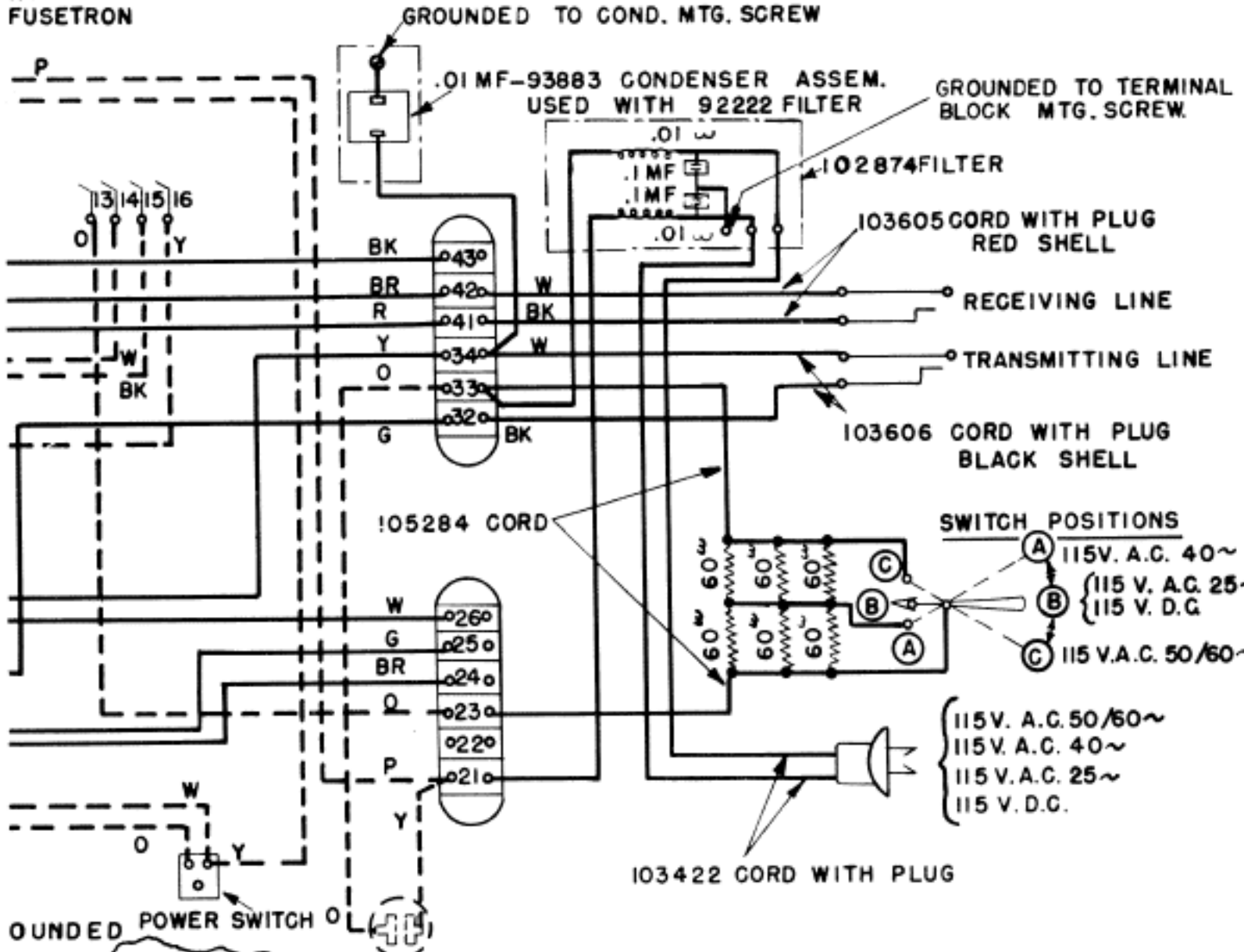
THIS LEAD TO BE EQUIPPED WITH
82474 TERMINAL & TAPED



V. A.C. SERIES GOVERNED MOTOR UNIT
(SEE NOTE 5)



1.6 AMP
FUSETRON

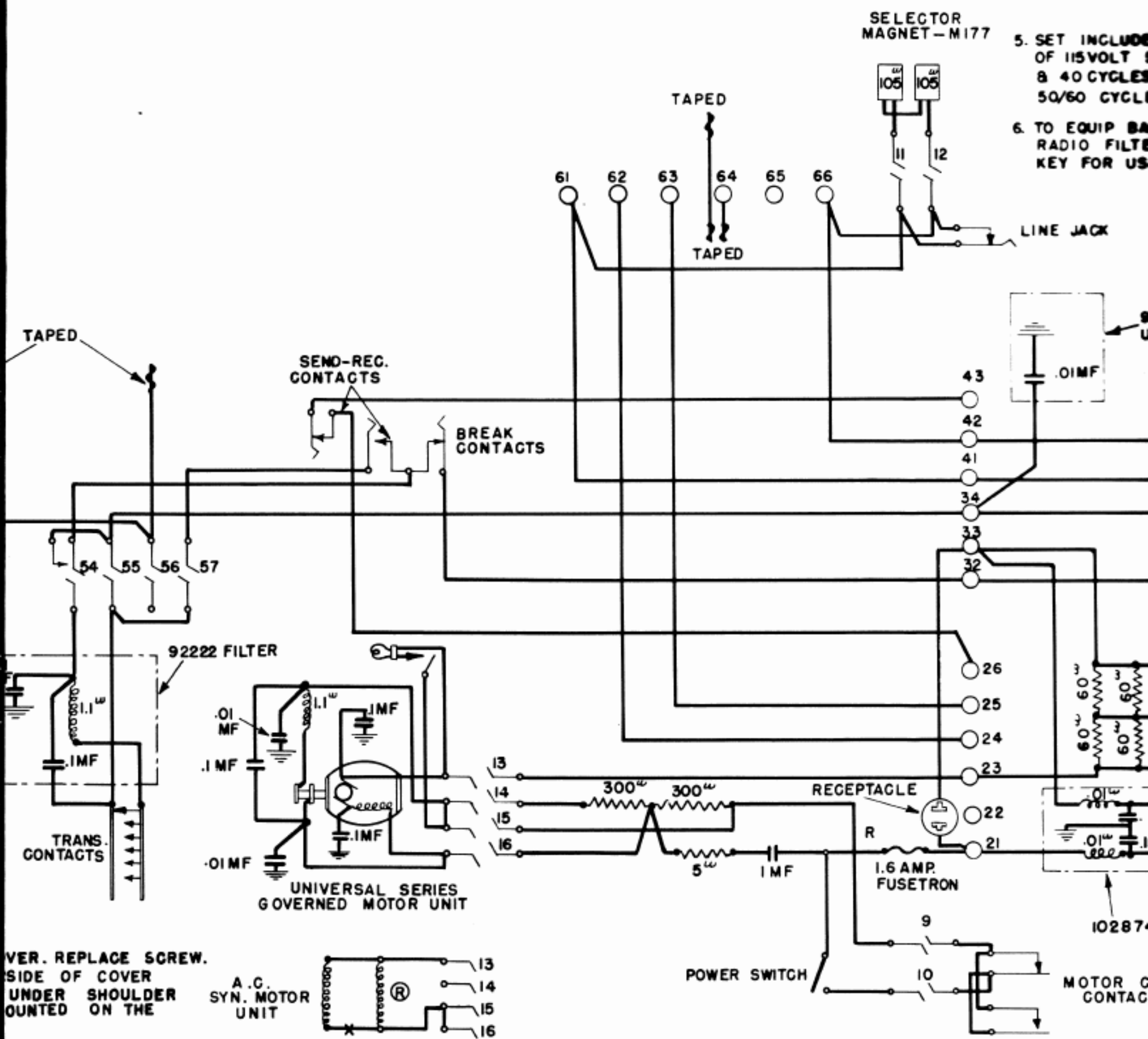


TO GROUND COVER - REMOVE "OFF" NAME PLATE RIGHT MTG. SCREW AND NUT. SCRAPE PAINT FROM AREA SURROUNDING HOLE ON UNDERSIDE OF COVER. REPLACE SCREW MOUNT CLOSED TERMINAL END OF 102940 GROUND LEAD TO UNDERSIDE OF COVER USING 76099 WASHER AND NUT. PLACE OPEN TERMINAL END OF WIRE UNDER SHOULDER OF KYBD. MTG. SCREW. WHEN NOT USED THE 102940 GROUND WIRE IS MOUNTED ON THE POWER LEADS FILTER CLAMPING SCREW.

ACTUAL WIRING
15 PRINTER SET WITH KEYBOARD

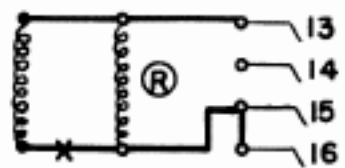
1. EQUIPMENT S...
2. ALL WIRES AS...
3. ASSOCIATED C...
4. COLOR CODE

5. SET INCLUDE...
6. TO EQUIP BA...



VER. REPLACE SCREW.
SIDE OF COVER
UNDER SHOULDER
MOUNTED ON THE

A.C.
SYN. MOTOR
UNIT



SC
15 PRINTER

NOTES

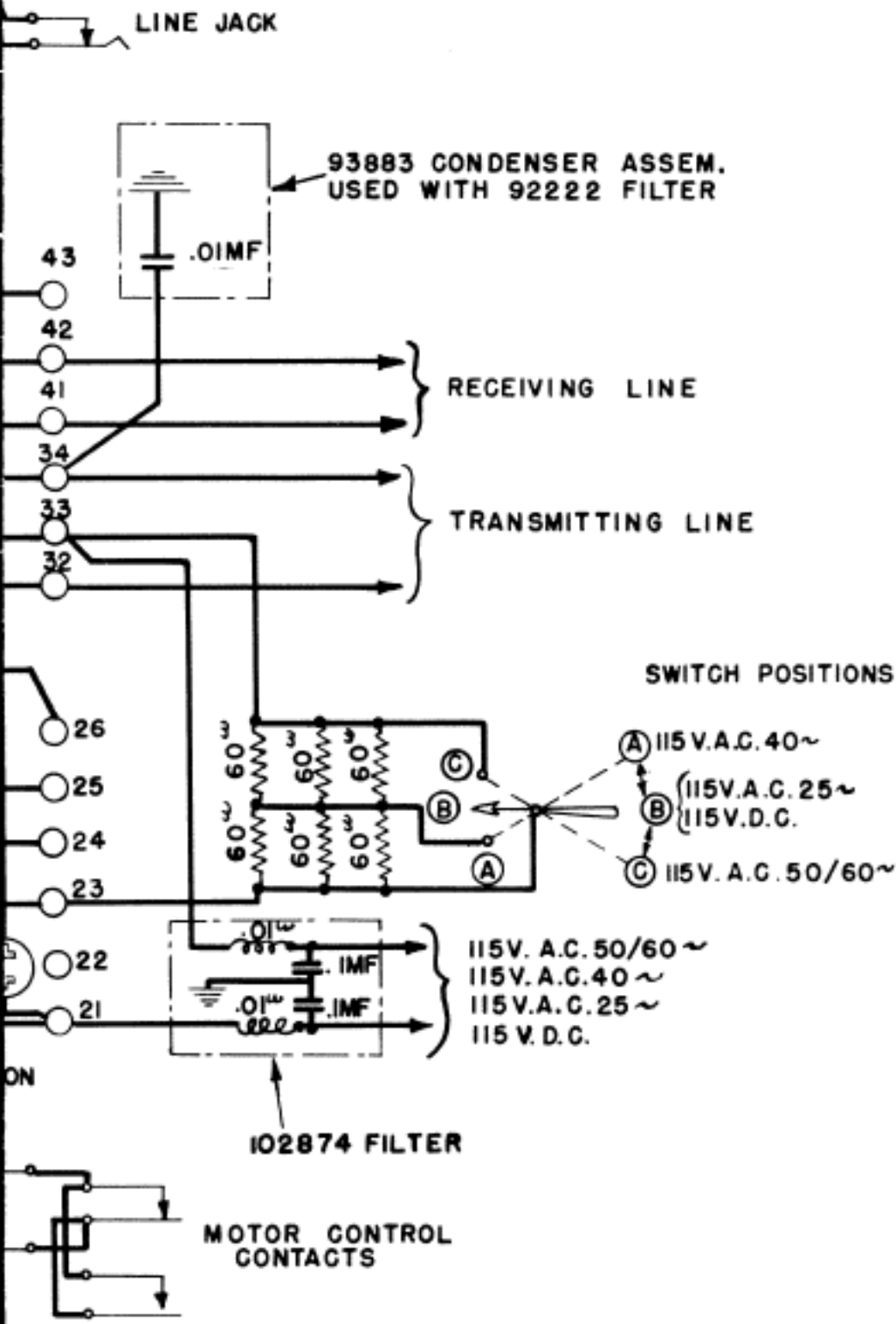
1. EQUIPMENT SHOWN DOTTED IS UNDERNEATH UNITS.
2. ALL WIRES ARE NO.18 DELTABESTON COTTON COVERED FIXTURE WIRE, EXCEPT MOTOR LEADS.
3. ASSOCIATED CABLES —
 105241 BASE (POWER) 74788 A.C. MOTOR UNIT
 105242 BASE (LINE) 105239 KEYBOARD
 74625 SELECTOR MAGNET 105526 RESISTOR CAGE.
 74789 MOTOR CONTROL CONTACTS.
4. COLOR CODE: — W—WHITE Y—YELLOW BK—BLACK
 R—RED O—ORANGE BR—BROWN
 G—GREEN P—PURPLE
5. SET INCLUDES RESISTORS & SWITCH TO PERMIT OPERATION OF 115VOLT 50/60 CYCLE A.C. SERIES MOTOR, ON 115VOLTS 25 & 40 CYCLES A.C. & 115VOLTS D.C., IN ADDITION TO 115 VOLTS 50/60 CYCLES A.C. OPERATION.
6. TO EQUIP BASE WITH MOUNTING FOR LINE RELAY & RELAY RADIO FILTER, & TO EQUIP KEYBOARD WITH POLAR-NEUTRAL KEY FOR USE WITH LINE RELAY, SEE SPEC. S-5404.

REVISIONS

VIEW OF COVER ADDED	
10-20-43	32322
(B) 11-11-43	32552

OR
M177

2



SCHEMATIC WIRING
15 PRINTER SET WITH KEYBOARD

WD-2217-B	
5-4-43	
WIRING DIAGRAM U.S. ARMY SIGNAL CORPS PRINTER TG 37 (MODEL 15 PRINTER WITH KEYBOARD & RADIO FILTERS)	
BP 118 8849 BK 23	
DRAWN L.M.G.	APPROVED
ENG'RD <i>LMG</i>	<i>RLM</i>
TELETYPE CORP.	