

1. WIRING AS SHOWN FOR RELAY OPERATION ON NEUTRAL LINE SIGNALS. FOR OPERATION ON POLAR SIGNALS REMOVE "BK" WIRE FROM TERMINAL 34 AND TAPE, MOVE "Y" WIRE FROM TERMINAL 31 TO 34, MOVE "BR" WIRE FROM 33 TO 31, AND MOVE "BK" STRAP FROM RELAY TERM. 3 TO RELAY TERMINAL 2. FOR OPERATION WITHOUT RELAY REMOVE AND TAPE "Y" WIRE FROM TERMINAL 31 AND "S" WIRE FROM TERMINAL 32. MOVE "W" WIRE FROM TERMINAL 35 TO 31, AND "O" WIRE FROM TERMINAL 36 TO 32.

2. FOR .020 AMP SIGNAL LINE OPERATION, CONNECT THIS LEAD TO OTHER TERMINAL OF RESISTOR.

3. EQUIPMENT SHOWN DOTTED IS UNDERNEATH BASE.

4. RECOMMENDED FUSETRON OR FUSESTAT (AND ALTERNATE FUSE) PROTECTION (CONNECTED IN EXTERNAL POWER LINE):-

MOTOR	FUSETRON OR FUSTAT	FUSE
110 V. A.C. 60 CYCLE SYN.	3.2 AMP.	6 AMP.
110 V. A.C. 60 CYCLE GOV.	1.60 AMP.	3 AMP.
110 V. D.C. GOV.	.8 AMP.	3 AMP.
110 V. A.C. 25 CYCLE GOV.	1.4 AMP.	3 AMP.

5. WHEN A.C. SERIES MOTOR IS TO BE DRIVEN FROM 25 CYCLE POWER SUPPLY, A 25 OHM RESISTOR SHOULD BE CONNECTED IN THE POWER LEADS.

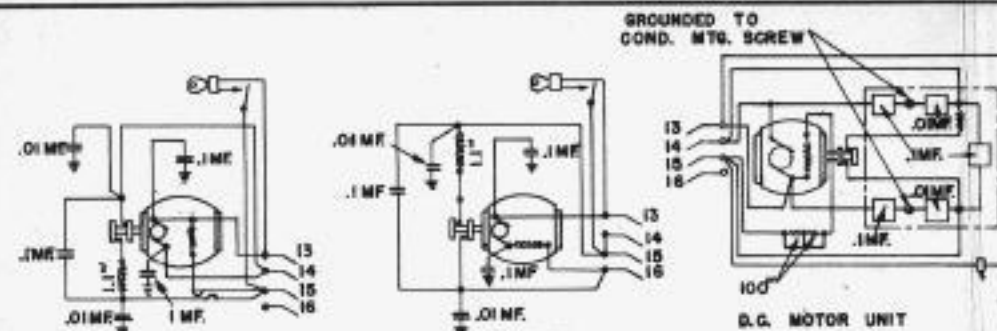
6. RY-28 RELAY (W.E. 215-H) 85 OHMS PER WINDING (FOR .060 AMPERE LINE)
RY-30 RELAY (W.E. 255-A) 136 OHMS PER WINDING (FOR .060 OR .020 AMPERE LINE)

7. COLOR CODE: W - WHITE Y - YELLOW S - SLATE BK - BLACK
R - RED O - ORANGE BR - BROWN
G - GREEN P - PURPLE LB - LIGHT BLUE

8. THIN LINES INDICATE WIRES NOT IN CABLE.

9. ALL WIRES ARE NO. 18 DELTABESTON COTTON COVERED FIXTURE WIRE, EXCEPT MOTOR AND FILTER LEADS.

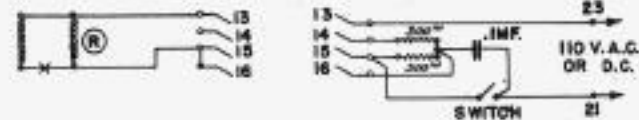
10. ASSOCIATED CABLES: 86181 POWER --- 74571 D.C. MOTOR UNIT
86182 LINE --- 74788 A.C. GOV. MOTOR UNIT



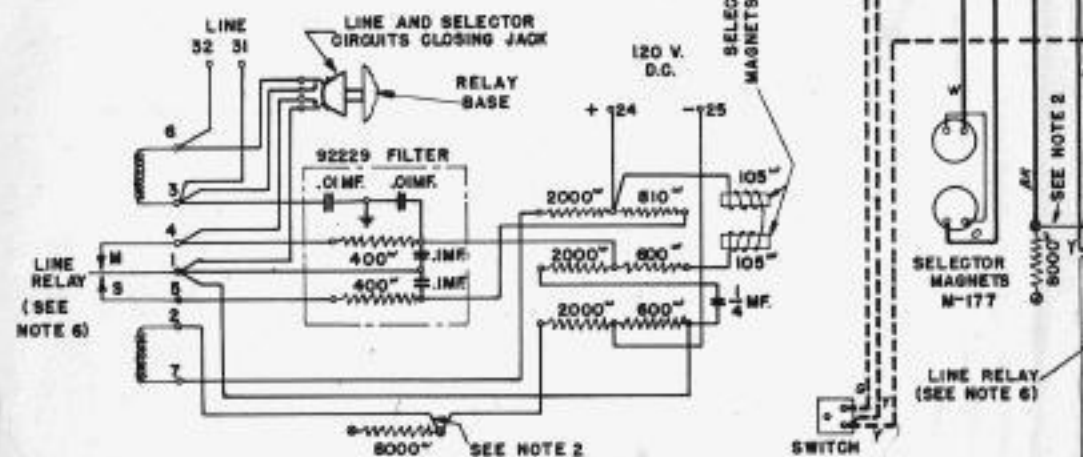
D.C. MOTOR UNIT

A.C. GOVERNED MOTOR UNIT

D.C. MOTOR UNIT



A.C. SYNCHRONOUS MOTOR UNIT



SCHEMATIC WIRING

92229 FILTER
AND

NEUTRAL LINE SIGNALS. FOR OPERATION ON
 TERMINAL 34, AND TAPE, MOVE "Y" WIRE FROM
 FROM 33 TO 31, AND MOVE "BK" STRAP FROM RELAY TERM. 3
 WITHOUT RELAY REMOVE AND TAPE "Y" WIRE FROM
 32. MOVE "W" WIRE FROM TERMINAL 35 TO 31,

CONNECT THIS LEAD TO OTHER TERMINAL OF RESISTOR.

BASE.

ALTERNATE FUSE) PROTECTION (CONNECTED IN

AMPERE	FUSE
1.2 AMP.	6 AMP.
1.50 AMP.	3 AMP.
1.8 AMP.	3 AMP.
2.4 AMP.	3 AMP.

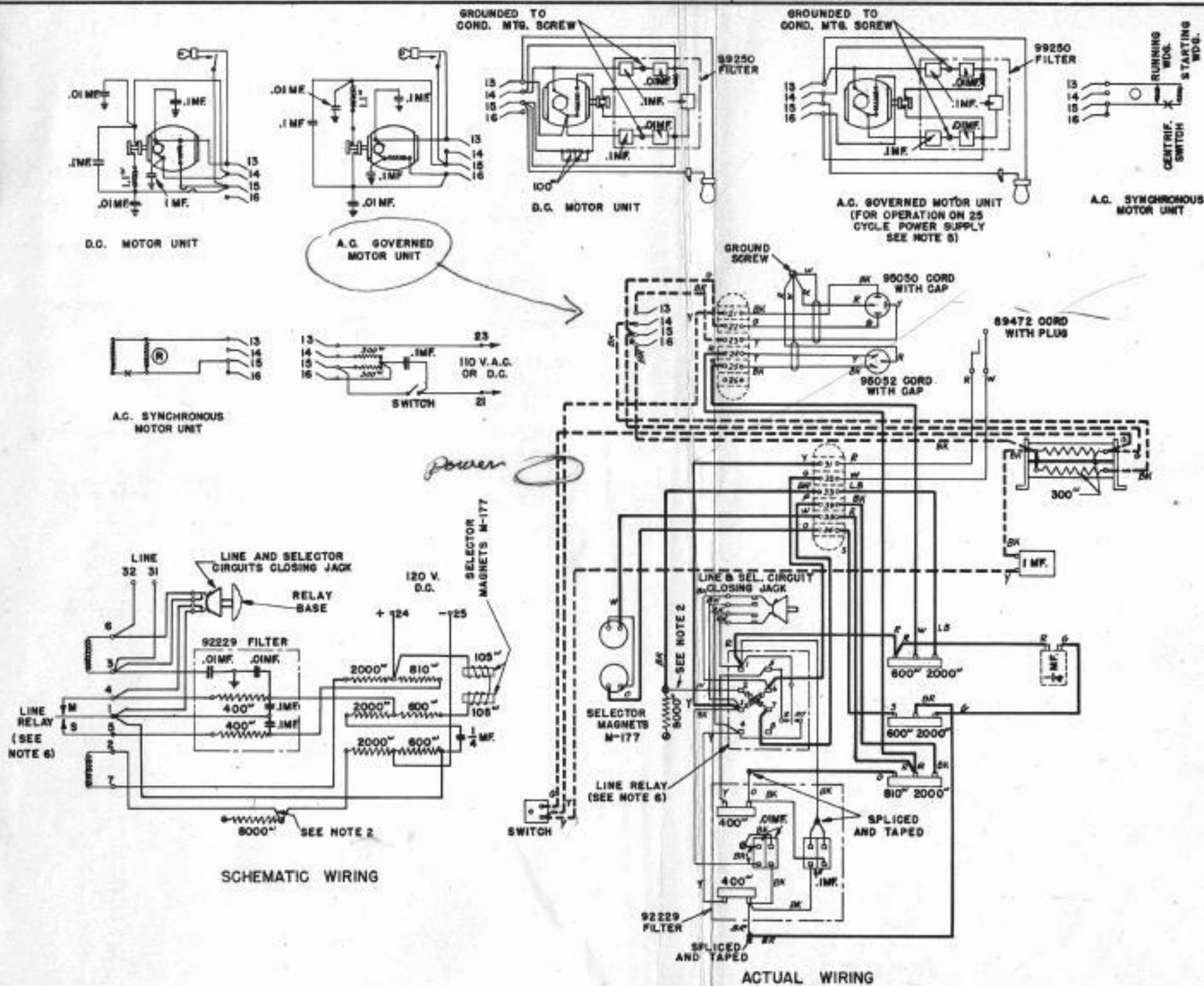
ON 25 CYCLE POWER SUPPLY, A 25 OHM RESISTOR
 IS:

WINDING (FOR .060 AMPERE LINE)
 WINDING (FOR .060 OR .020 AMPERE LINE)

LOW	S-SLATE	BK-BLACK
MIDDLE	BR-BROWN	
HIGH	LB-LIGHT BLUE	

EXCEPT MOTOR
 EXCEPT MOTOR

74571 D.C. MOTOR UNIT
 74788 A.G. GOV. MOTOR UNIT



REVISIONS
 ① WIRE TO LINE &
 SEL. CIRCUIT CLOSING
 JACK WERE COLOR
 CODED DIFFERENTLY
 7-1-48 G.J.K.

TELETYPE CORPORATION
 WD-2075-B
 WIRING DIAGRAM
 MODEL 14 REPERFORATOR RPE-25
 DRAWN JLD
 TRACED
 CHECKED H.A.H.
 ENG'D H.A.H.
 APPROVED