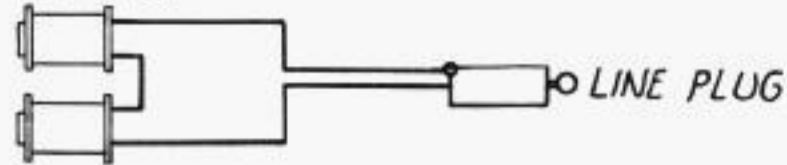
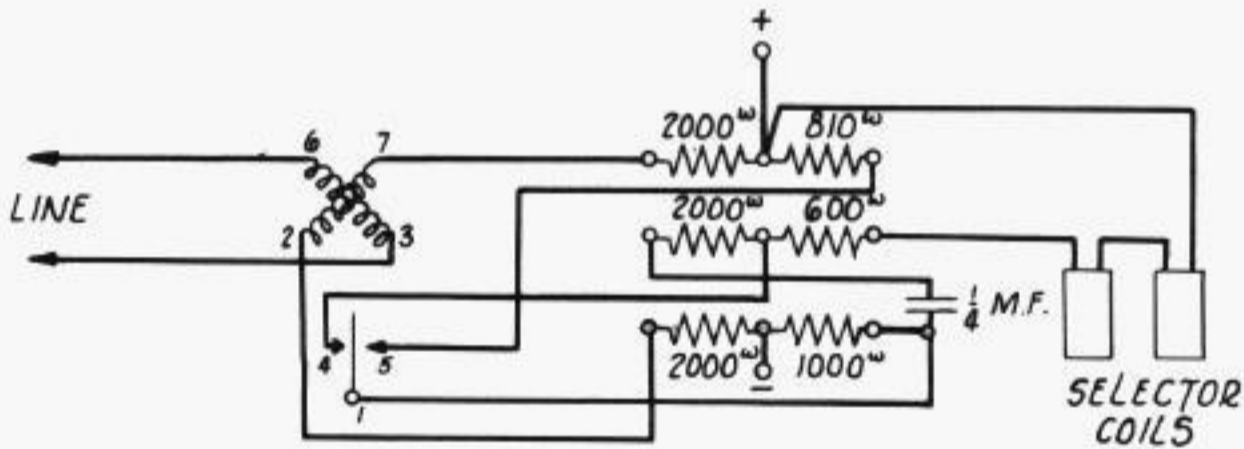


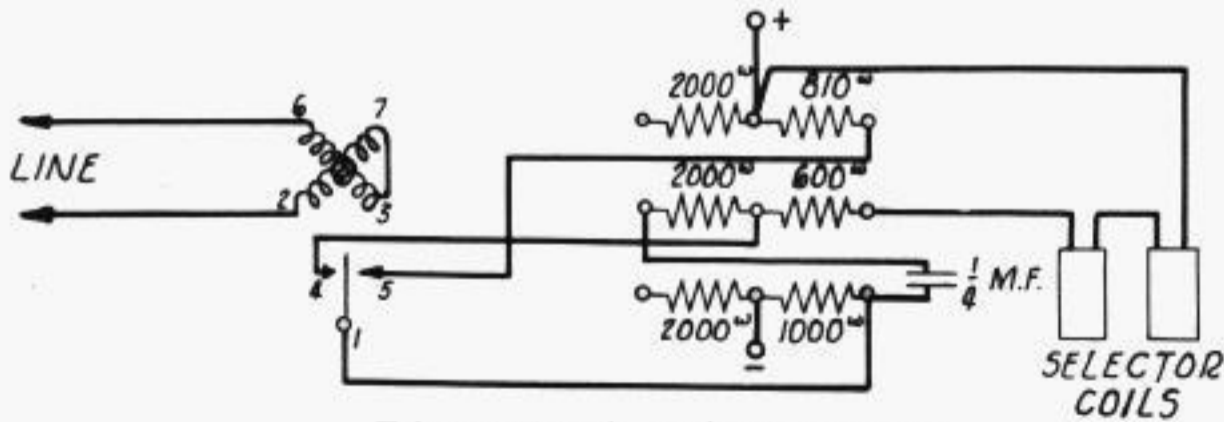
SEL. MAG.



THEORETICAL LINE CIRCUIT
WITHOUT LINE RELAY



THEORETICAL RELAY CIRCUIT
FOR NEUTRAL LINE SIGNALS



THEORETICAL RELAY CIRCUIT
FOR POLAR LINE SIGNALS

TELETYPE
CORPORATION

W.D. 1591
JAN. 29, 1936

THEORETICAL
WIRING DIAGRAM
#14 AND #20
TYPE
REPERFORATORS

DRAWN H.W.H.
TRACED E.W.
CHECKED E.F.R.
ENG'RD. H.W.H.
APPROVED J.C.P.