

BULLETIN 1192B

PARTS

STATION CONVERTER CABINETS (AC)



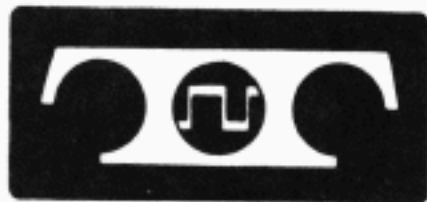
**TELETYPE<sup>®</sup>**  
CORPORATION

5555 TOUHY AVENUE, SKOKIE, ILLINOIS

BULLETIN 1192B

PARTS

STATION CONVERTER CABINETS (AC)



**TELETYPE<sup>®</sup>**  
CORPORATION

5555 TOUHY AVENUE, SKOKIE, ILLINOIS

## LIST OF EFFECTIVE PAGES

January, 1963

Page Number	Change In Effect
A to C	Original
1-1 to 1-12	Original
2-1 to 2-12	Original
3-1 to 3-3	Original

The above list indicates the effective pages as of issue date. Upon receipt of Change Pages, insert them numerically and discard any superseded pages.

## TABLE OF CONTENTS

## SECTION 1 - CABINET (AC)

Figure		Page
1-1	Converter Cabinet	1-2
1-2	Converter Cabinet (Continued)	1-3
1-3	Sliding Front Panel Mechanism	1-4
1-4	Tape Guide and Chad Depressor Mechanism	1-5
1-5	Tape Handling Mechanisms	1-6
1-6	Chad Container	1-7
1-7	Transmitter Drive Shaft Mechanism	1-7
1-8	Reader Mounting Components	1-8
1-9	Electrical Service Unit	1-9
1-10	193400 Selector Magnet Driver Assembly	1-10
1-11	Cable Components	1-11
	Numerical Index - Section 1	1-12

## SECTION 2 - MODULES

2-1	194507** Control Circuit Module	2-2
2-2	194510** Transfer Tree Module	2-3
2-3	194511** Character Storage Module	2-4
2-4	194512** Diode Matrix Module	2-5
2-5	194513** Control Circuit Module	2-6
2-6	194614** Control Circuit Module	2-7
2-7	194710** Transfer Tree Module	2-8
2-8	194711** Diode Matrix Module	2-9
2-9	194712** Control Circuit Module	2-10
2-10	170573 Rectifier Assembly	2-11
	Numerical Index - Section 2	2-12

## SECTION 3 - MASTER NUMERICAL INDEX

STATION CONVERTER UNITS covered in this bulletin					
Unit Description		ON-LINE, SIGNAL TO TAPE		OFF-LINE, TAPE TO TAPE	
		8-5 Level	5-8 Level	8-5 Level	5-8 Level
CABINET		AC338**	AC341**	AC340**	AC339**
MODULES	Control Circuit	194513**	194614**	194507**	194712**
	Transfer Tree	194510**	194710**	194510**	194710**
	Character Storage	194511**	_____	194511**	_____
	Diode Matrix	194512**	194711**	194512**	194711**
Associated units (parts bulletin number shown in parenthesis)					
RECEIVING SELECTOR (1185B)	Selector Unit Selector Base Motor Unit	LRS801 LRSB201** LMU31	LRS3 LRSB201** LMU31		
MULTI-MAGNET REPERFORATOR (1166B)	Reperforator Unit Reperforator Base Motor Unit	LARP8 LARB200** LMU20	LARP804 LARB200** LMU20	LARP8 LARB200** LMU20	LARP804 LARB200** LMU20
MULTI-WIRE TRANSMITTER (1161B)	Transmitter Unit Motor Unit			LX801 LMU19	LX4 LMU19
TAPE WINDER (1075)		TW203**	TW203**	TW203**	TW203**

NOTE 1. For parts and assemblies requiring a paint finish, the following multi-color apparatus code is available:

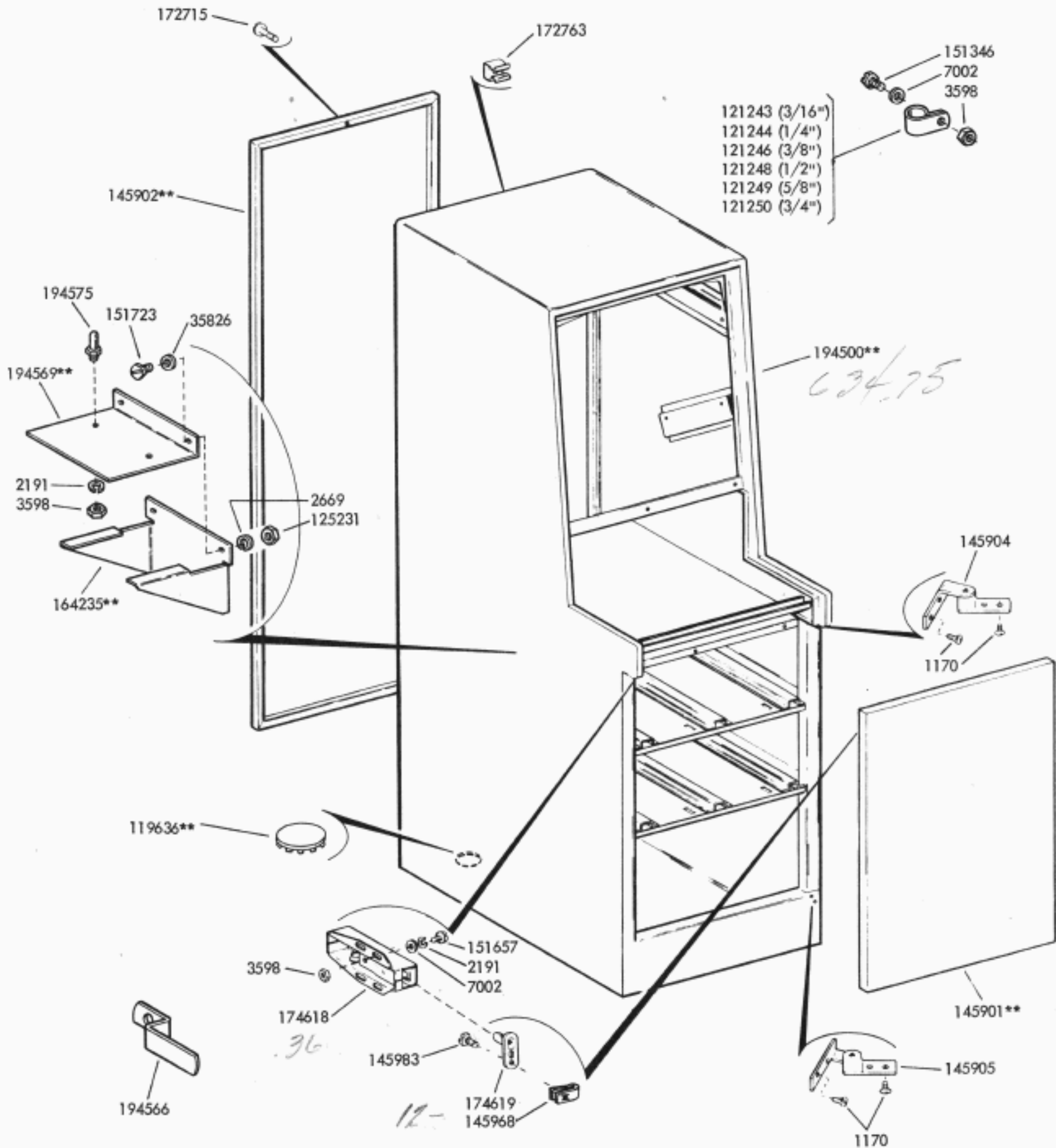
Multi-color Suffix and Basic Color		One-color Suffix and Color	Bell System Code
MG	Gray	HF Light Olive Gray Smooth HB Light Gray Smooth BZ Charcoal Gray Smooth	46

Suffix to be applied following the part number. Other colors are available upon request.

NOTE 2. Bell System Only

When ordering parts from this bulletin, prefix each number with the letters TP.

**SECTION 1**  
**CABINET**



\*\*Refer to page C for finish suffix.

FIGURE 1-1. CONVERTER CABINET

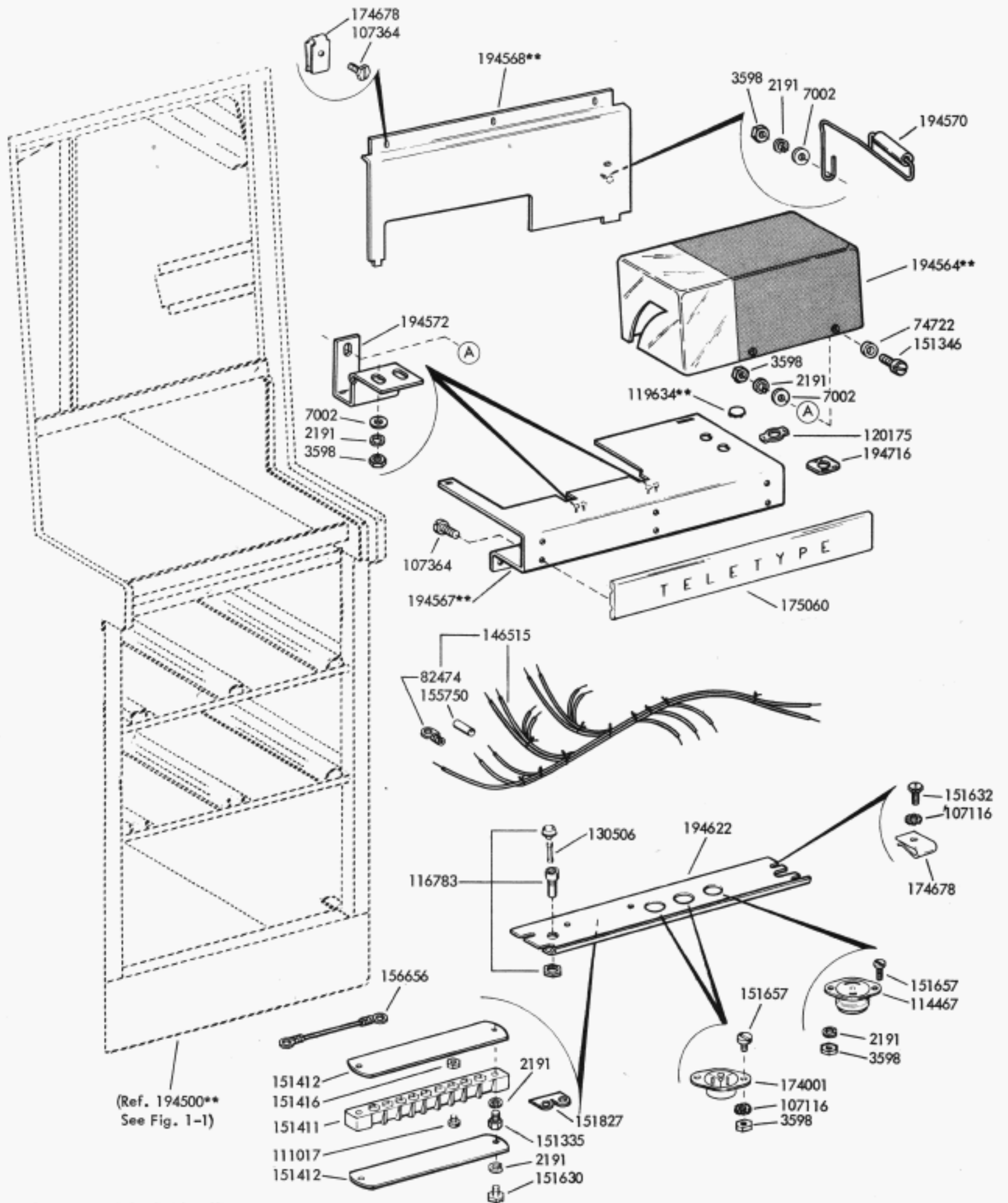
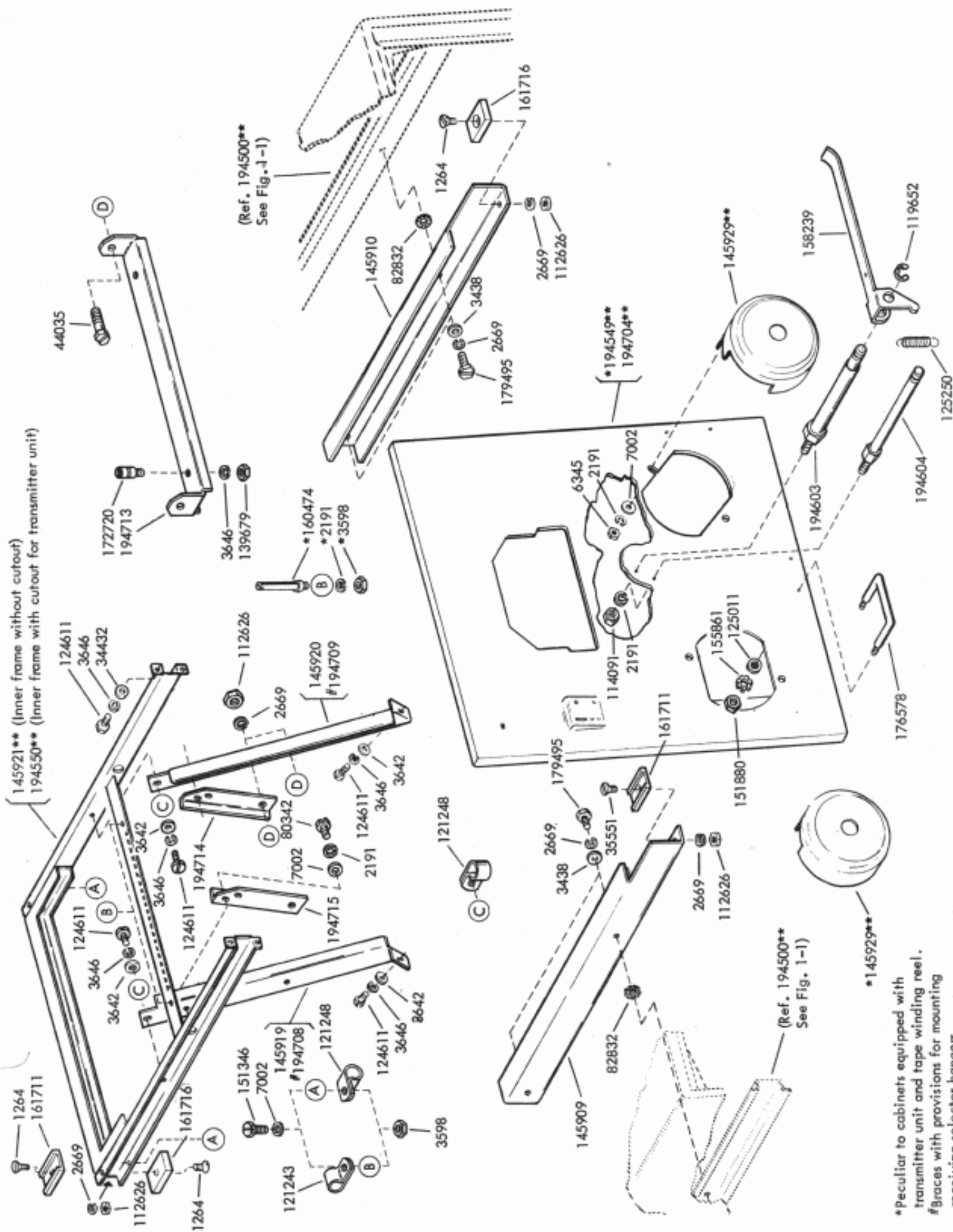


FIGURE 1-2. CONVERTER CABINET (CONTINUED)





\*Peculiar to cabinets equipped with transmitter unit and tape winding reel.  
 #Graces with provisions for mounting receiving selector hangers.  
 \*\*Refer to page C for finish suffix.

FIGURE 1-3. SLIDING FRONT PANEL MECHANISM

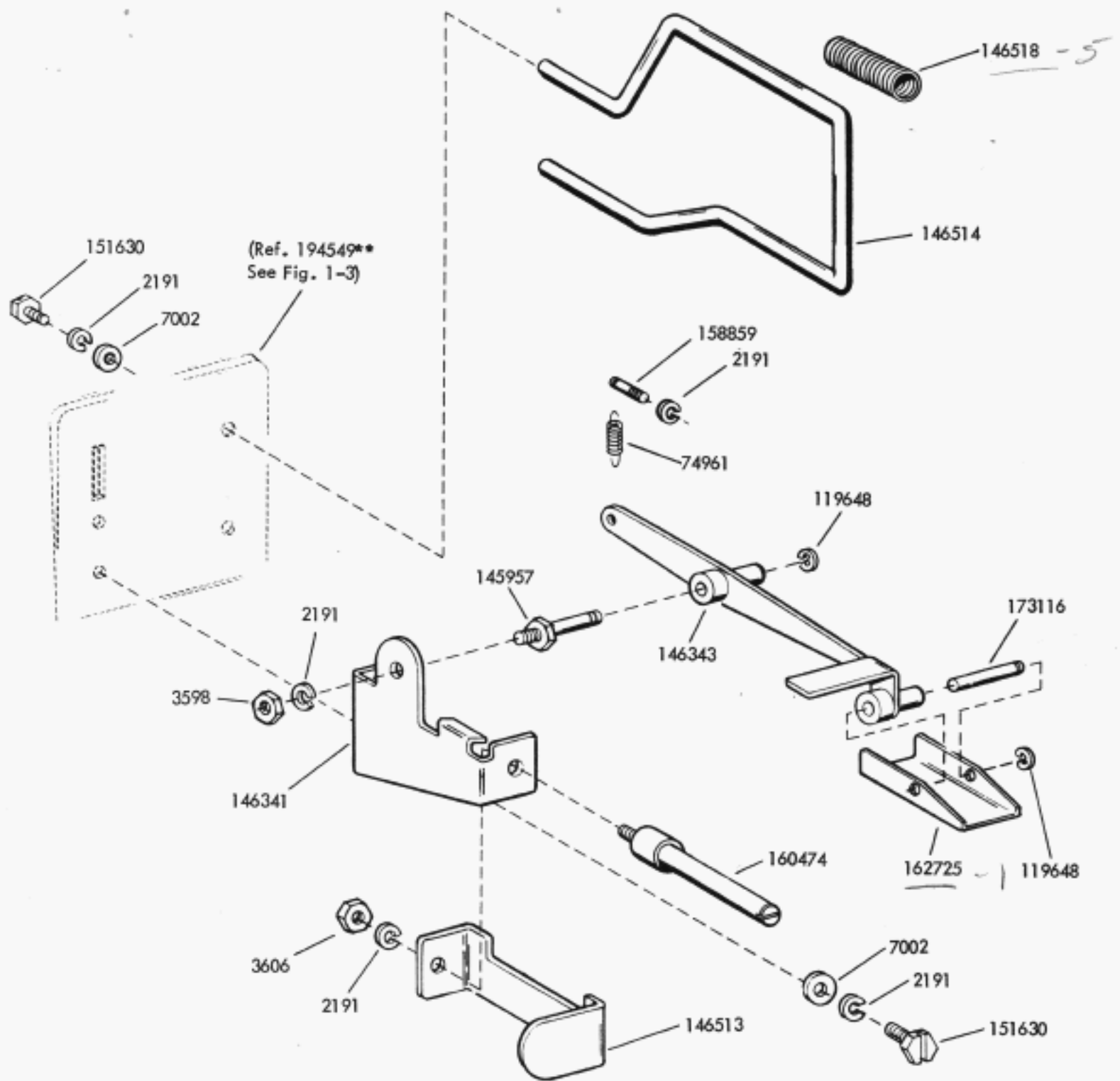


FIGURE 1-4. TAPE GUIDE AND CHAD DEPRESSOR MECHANISM

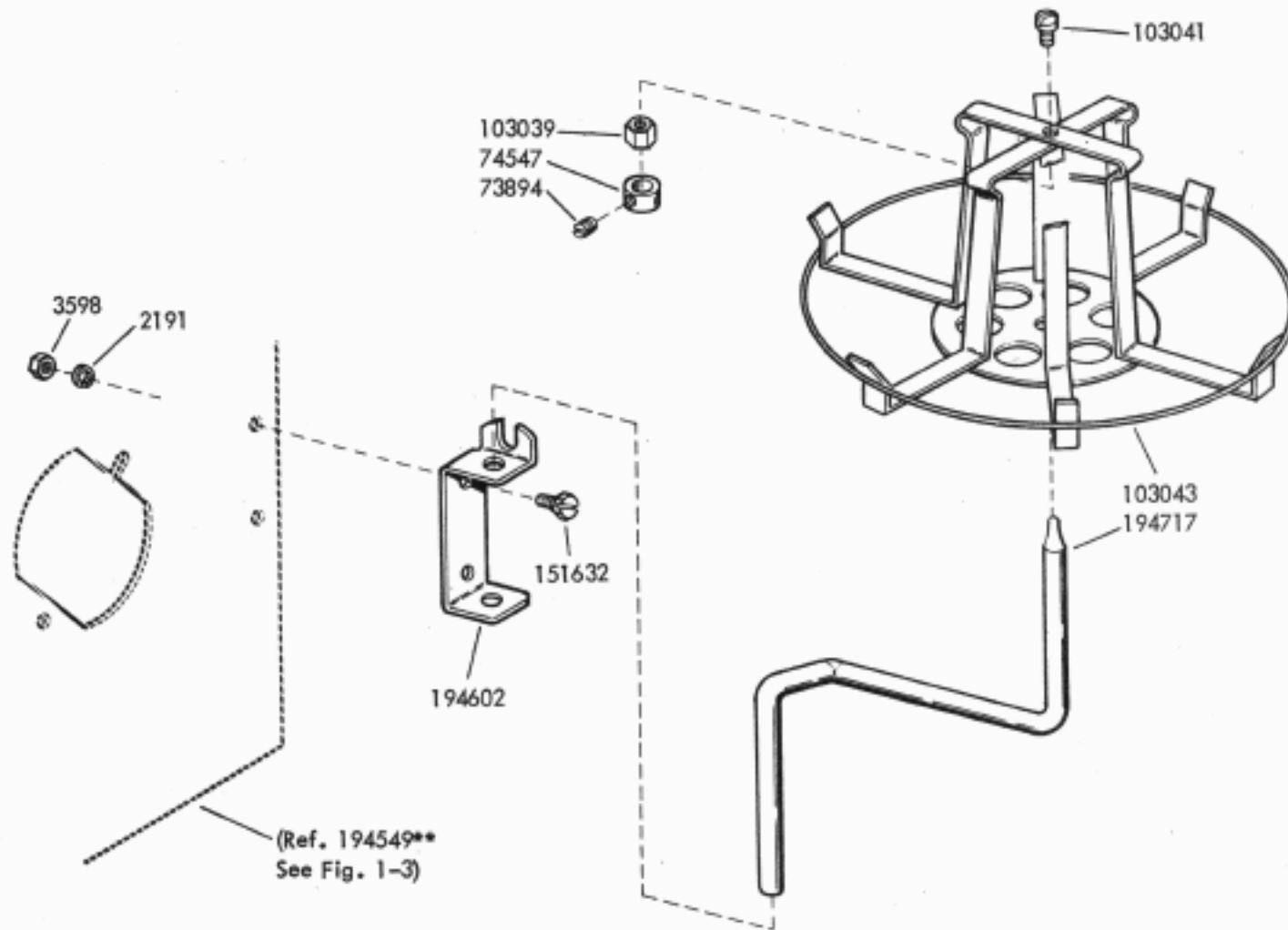
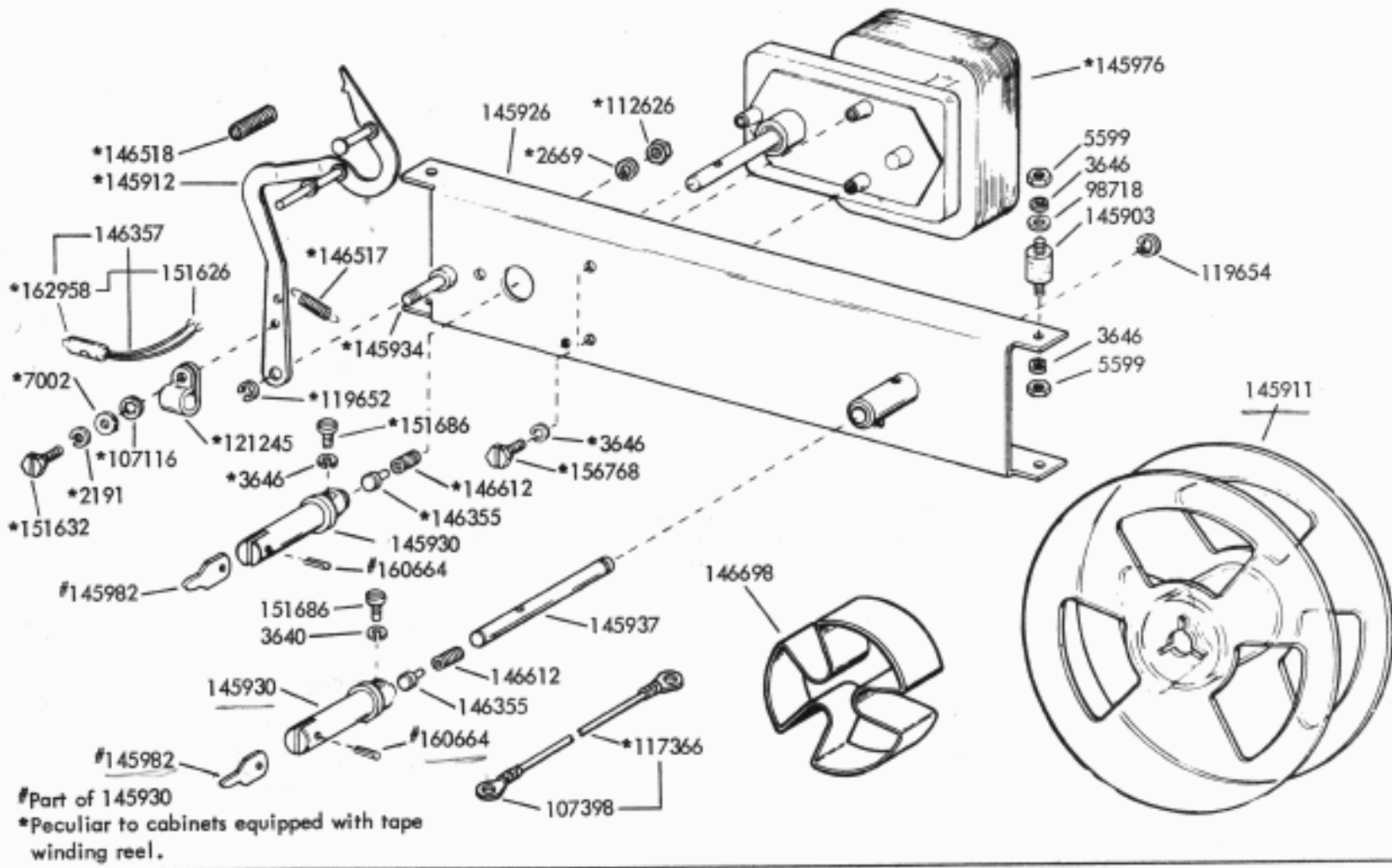
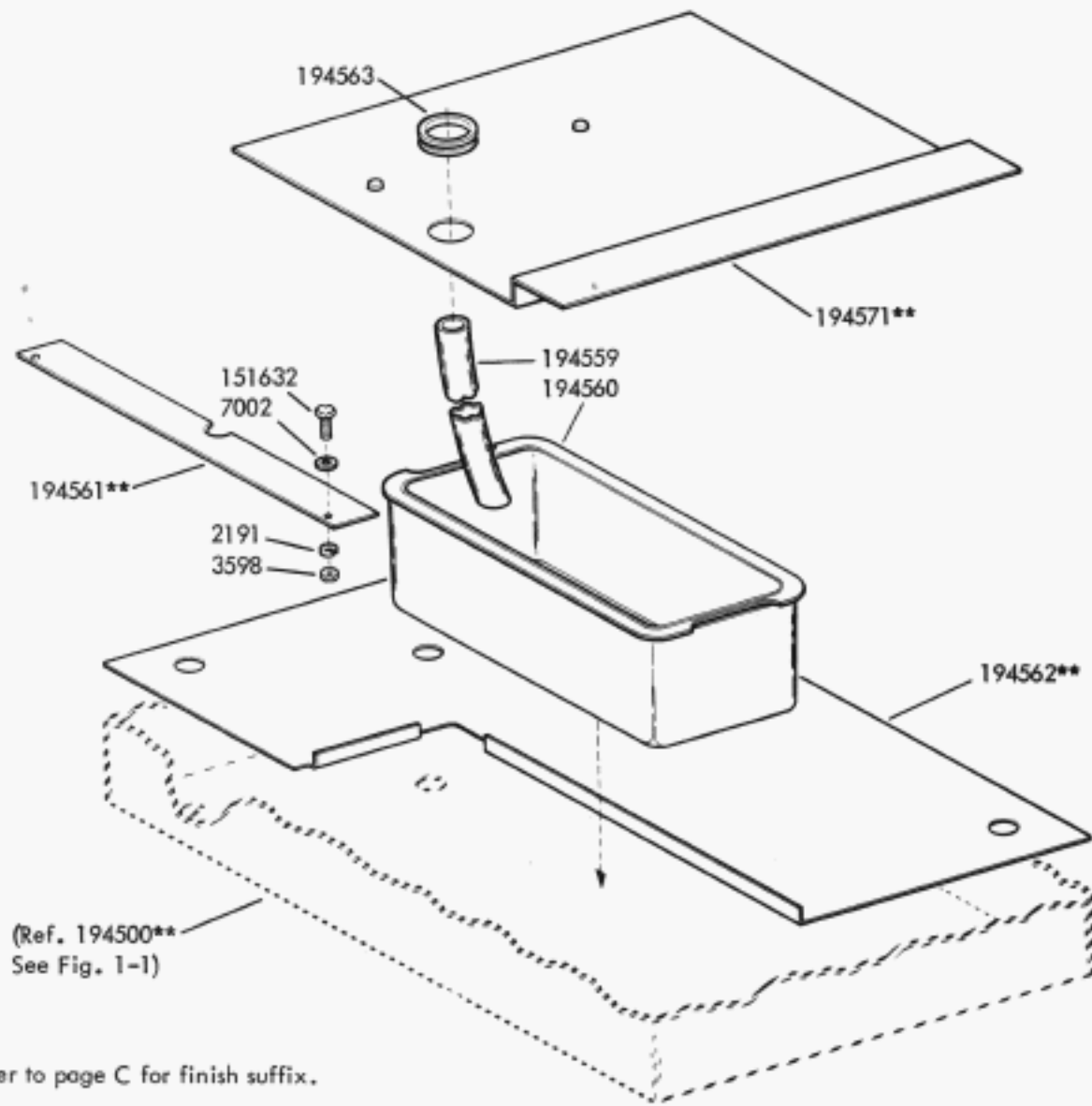


FIGURE 1-5. TAPE HANDLING MECHANISM



\*\*Refer to page C for finish suffix.

FIGURE 1-6. CHAD CONTAINER

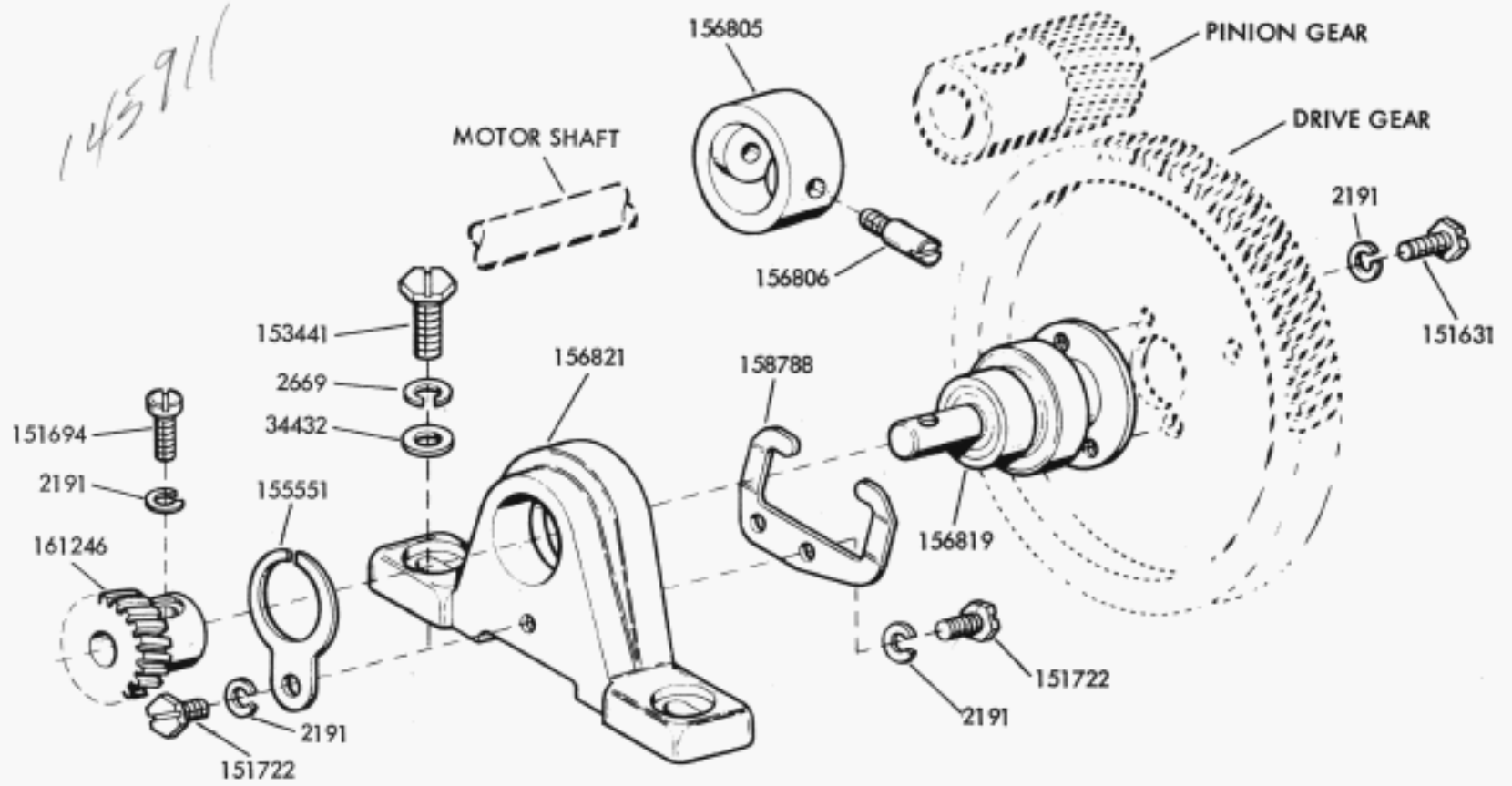
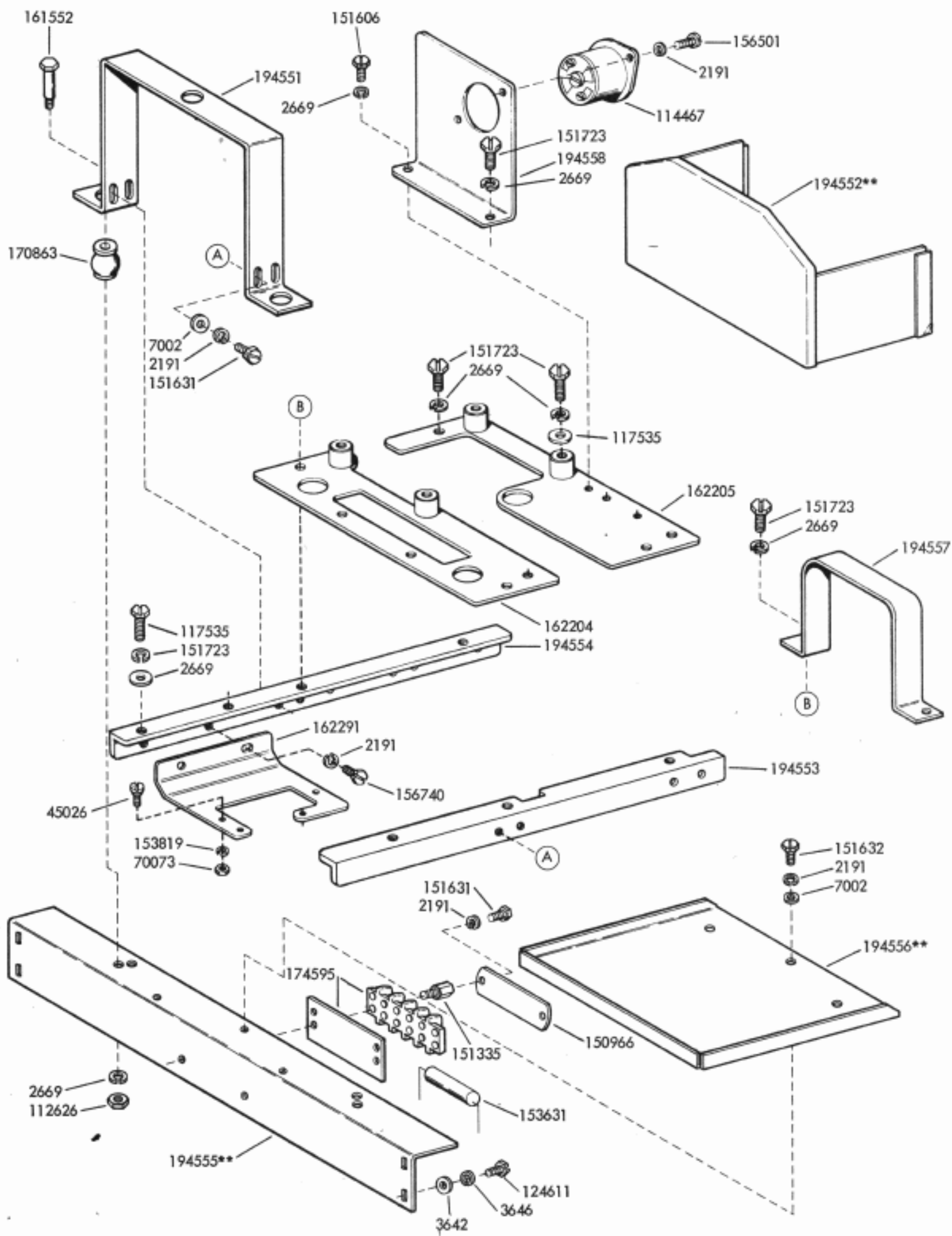


FIGURE 1-7. TRANSMITTER DRIVE SHAFT MECHANISM



\*\*Refer to page C for finish suffix.

FIGURE 1-8. READER MOUNTING COMPONENTS

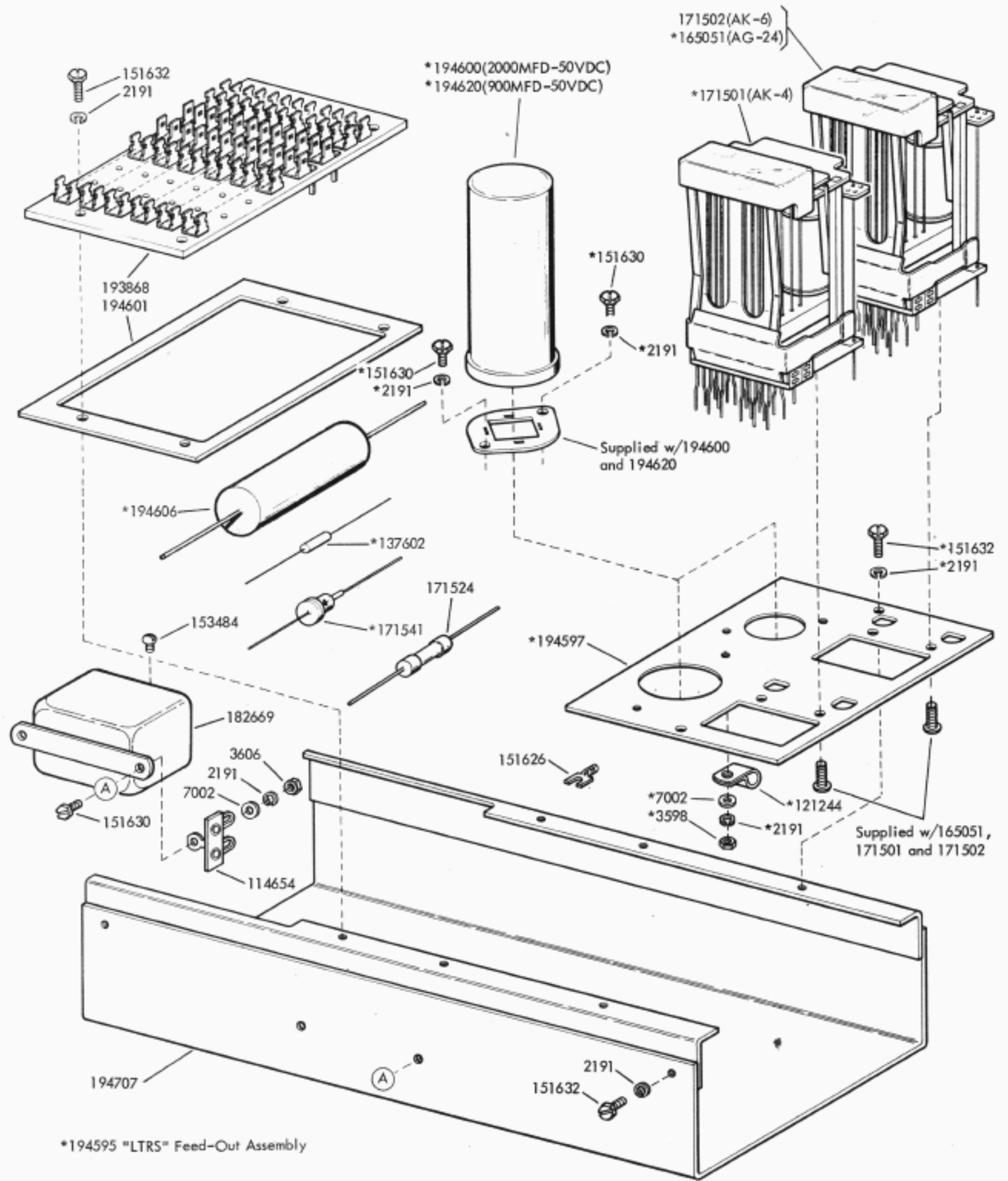


FIGURE 1-9. ELECTRICAL SERVICE UNIT

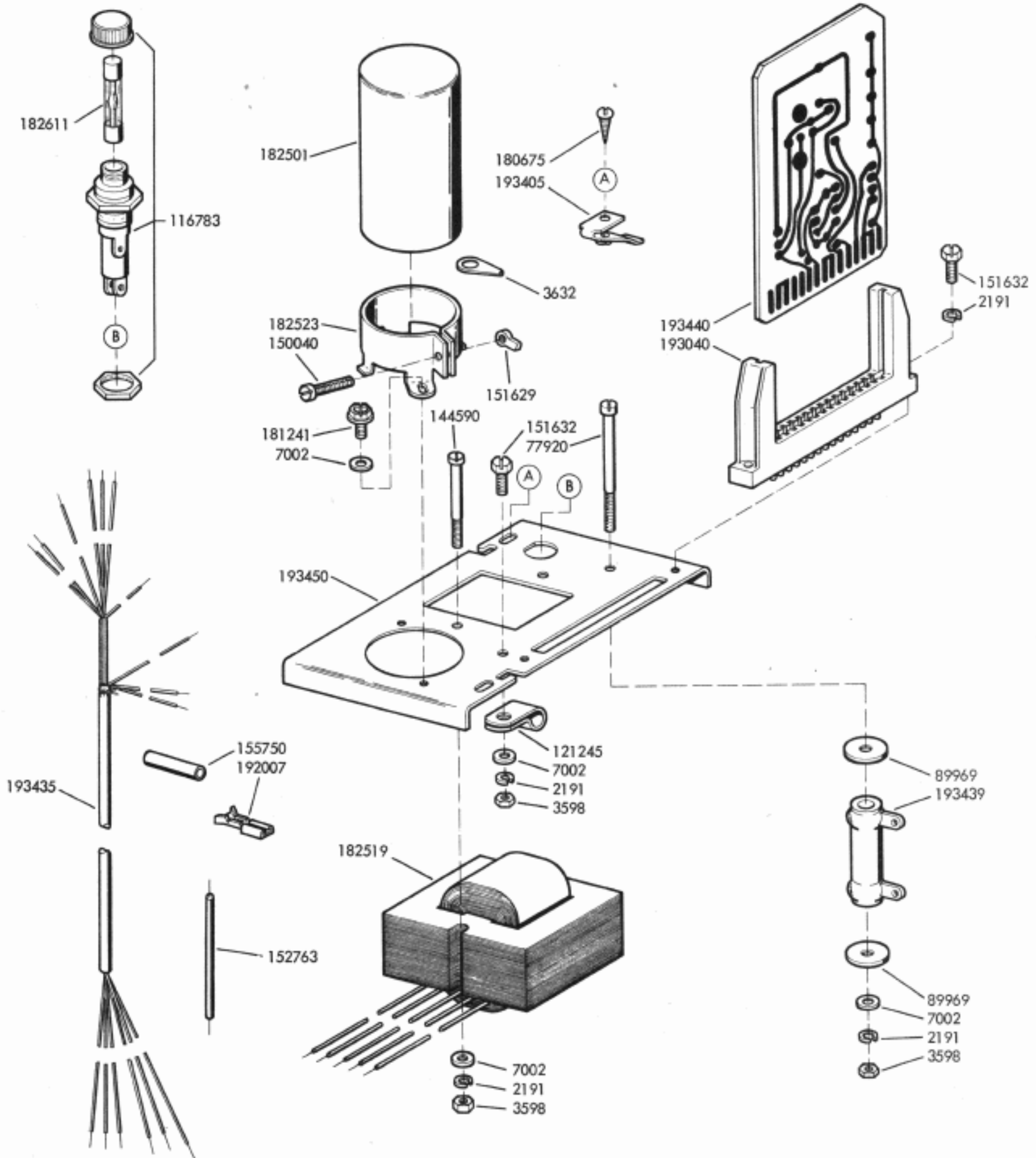


FIGURE 1-10. 193400 SELECTOR MAGNET DRIVER ASSEMBLY

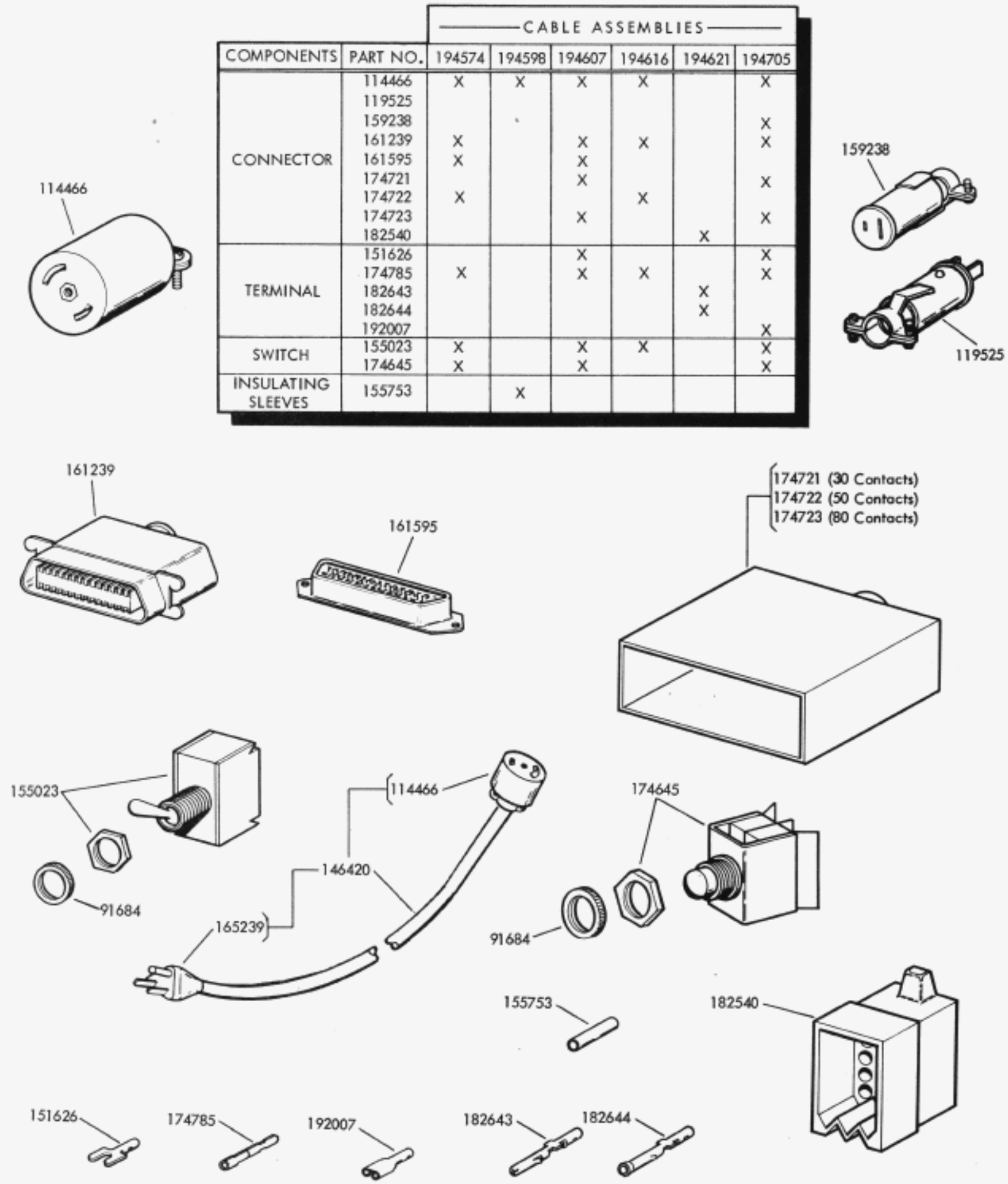


FIGURE 1-11. CABLE COMPONENTS



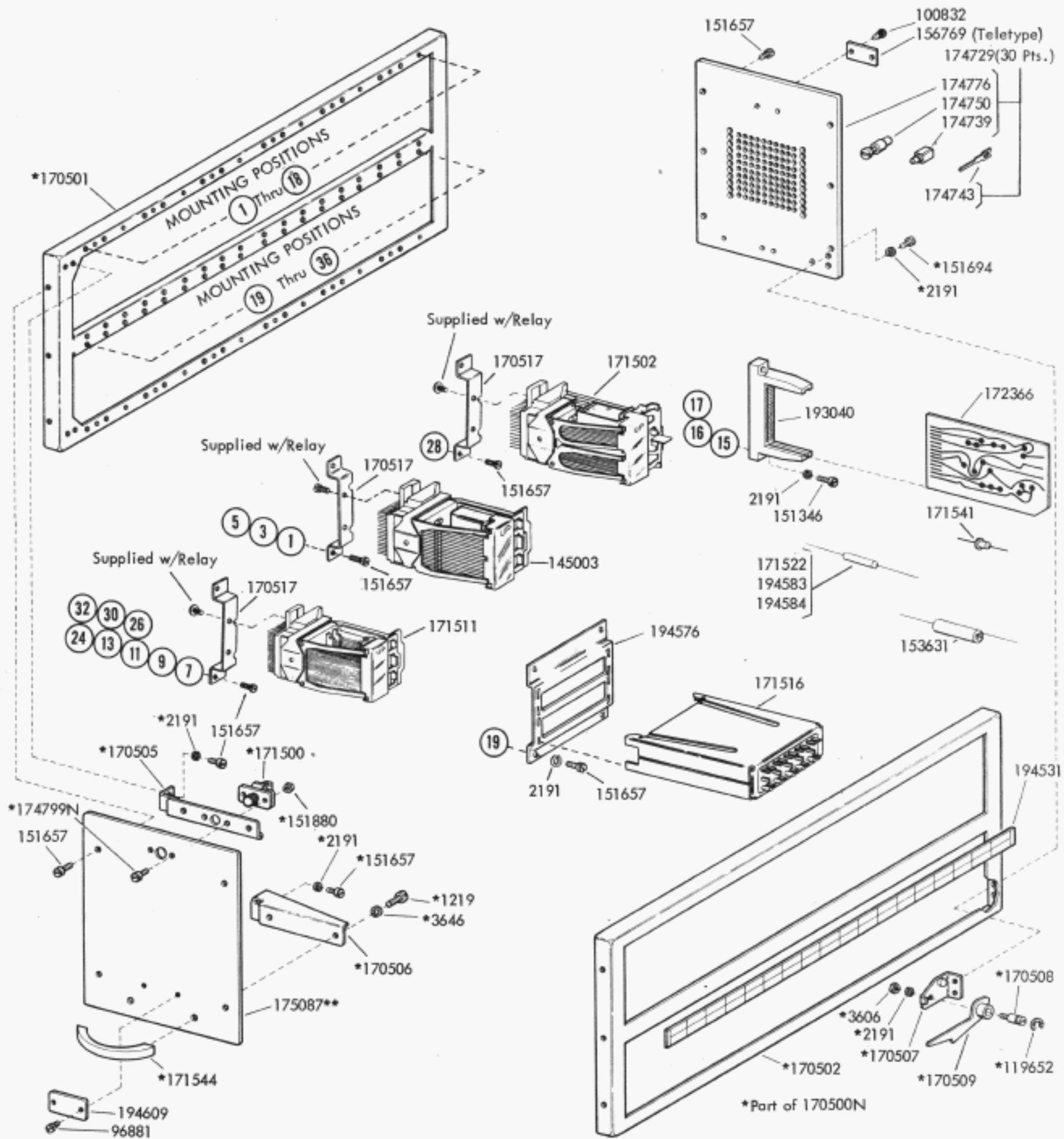
## NUMERICAL INDEX - SECTION 1

Part Number	Description and Page Number	Part Number	Description and Page Number	Part Number	Description and Page Number
1170	Screw (6-32 x 5/16 Flat) 1-2	139679	Nut (8-32 Hex) 1-4	155750	Sleeve, Insulating (3/32 ID x 1/2 LG) 1-3, 1-10
1264	Screw (10-32 x 1/2 Flat) 1-4	144590	Screw (6-40 x 1-3/8 Fil) 1-10	155753	Sleeve, Insulating (1/8 ID x 1/2 LG) 1-11
2191	Washer, Lock 1-2 to 1-10	145901**	Door, Front 1-2	155861	Washer, Lock 1-4
2669	Washer, Lock 1-2,1-4,1-7,1-8	145902**	Panel, Rear 1-2	156501	Screw (6-40 x 7/32 Fil) 1-8
3438	Washer, Flat 1-4	145903	Mount, Vibration 1-6	156656	Strap (2-3/4" Black) 1-3
3598	Nut (6-40 Hex) 1-2 to 1-10	145904	Hinge, Top 1-2	156740	Screw (6-40 x 7/32 Hex) 1-8
3606	Nut (6-40 Hex) 1-5,1-9	145905	Hinge, Bottom 1-2	156768	Screw (8-32 x 9/32 Hex) 1-6
3632	Terminal 1-10	145906**	Panel, Service 1-3	156805	Post 1-7
3640	Washer, Lock 1-6	145909	Channel, Left 1-4	156806	Post 1-7
3642	Washer, Flat 1-4,1-8	145910	Channel, Right 1-4	156819	Shaft w/Bearings 1-7
3646	Washer, Lock 1-4,1-6,1-8	145911	Reel, Tape 1-6	156821	Housing, Bearing 1-7
5599	Nut (8-32 Hex) 1-6	145912	Arm w/Posts 1-6	158239	Lever, Tape 1-4
6345	Nut (6-32 Hex) 1-4	145919	Bracket, Left 1-4	158859	Post, Spring 1-5
7002	Washer, Flat 1-2 to 1-10	145920	Bracket, Right 1-4	159238	Connector, Receptacle (2 Pt) 1-11
34432	Washer, Flat 1-4,1-7	145921**	Frame, Inner 1-4	160474	Stud 1-4,1-5
35551	Screw (10-32 x 3/8 Flat) 1-4	145926	Plate 1-6	160664	Pin, Roll 1-6
35826	Washer, Flat 1-2	145929**	Cup 1-4	161239	Connector, Plug (36 Pt) 1-11
44035	Screw (10-32 x 9/16 Hex) 1-4	145930	Hub Assembly 1-6	161246	Gear (20T) 1-7
45026	Screw, Shoulder (3-48) 1-8	145934	Post 1-6	161552	Screw, Shoulder (10-32) 1-8
70073	Nut (3-48 Hex) 1-8	145937	Shaft 1-6	161595	Connector, Receptacle (36 Pt) 1-11
73894	Screw, Set (6-40) 1-6	145957	Stud 1-5	161711	Block, Guide 1-4
74547	Collar 1-5,1-6	145968	Nut, Speed (#6) 1-2	161716	Block, Support 1-4
74722	Washer, Flat 1-3	145976	Motor, 115 Volt AC 1-6	162204	Plate, Front 1-8
74961	Spring 1-5	145982	Detent 1-6	162205	Plate, Rear 1-8
77920	Screw (6-40 x 1-15/16 Fil) 1-10	145983	Screw (#6 Self Tapping) 1-2	162291	Bracket, Mounting 1-8
80342	Screw (2-56 x 25/32 Fil) 1-4	146341	Bracket 1-5	162725	Depressor, Chad 1-5
82474	Terminal 1-3	146343	Arm 1-5	162958	Switch, Mercury 1-6
82832	Washer, Lock 1-4	146355	Plunger 1-6	164235**	Bracket 1-2
89969	Washer, Insulating 1-10	146357	Switch, Mercury 1-6	165051	Relay 1-9
98718	Washer, Flat 1-6	146420	Cable Assembly 1-11	165239	Cord Assembly 1-11
103039	Nut, Special (6-40 Hr:) 1-6	146513	Guide, Tape 1-5	170863	Mount Vibration 1-8
103041	Screw (6-40 x 1/4 Fil) 1-6	146514	Guide, Tape 1-5	171501	Relay (AK-4) 1-9
103043	Spindle 1-6	146515	Cable 1-3	171502	Relay (AK-6) 1-9
107116	Washer, Lock 1-3,1-6	146517	Spring 1-6	171524	Resistor (700 Ohm) 1-9
107364	Screw (6-32 x 3/8 Fil) 1-3	146518	Spring, Roller 1-5,1-6	171541	Diode, Silicon 1-9
107398	Terminal 1-6	146612	Spring 1-6	172715	Screw, Captive (10-24) 1-2
111017	Screw (6-40 x 5/16 Fil) 1-3	146698	Core, Adapter (3-1/4") 1-6	172720	Post, Spring 1-4
112626	Nut (10-32 Hex) 1-4,1-6,1-8	150040	Screw (6-40 x 5/8 Fil) 1-10	172763	Nut, Retaining (10-24) 1-2
114091	Nut (6-40 Hex) 1-4	150966	Insulator 1-8	173116	Shaft 1-5
114466	Connector, Receptacle (2 Pt) 1-11	151335	Stud 1-3,1-8	174001	Connector, Receptacle (3 Pt) 1-3
114467	Connector, Plug (2 Pt) 1-3,1-8	151346	Screw (6-40 x 3/8 Fil) 1-2,1-3,1-4	174595	Block w/Insulator, Terminal 1-8
114654	Strip, Terminal 1-9	151411	Block, Terminal 1-3	174618	Latch, Door 1-2
116783	Holder, Fuse 1-3,1-10	151412	Insulator 1-3	174619	Strike, Door 1-2
117366	Strap (8-1/2" Green) 1-6	151416	Nut (6-40 Hex) 1-3	174645	Switch, Push (Black) 1-11
117535	Washer, Flat 1-8	151606	Screw (10-32 x 1/4 Hex) 1-8	174678	Nut, Speed (6-32) 1-3
119525	Connector, Plug (2 Pt) 1-11	151626	Terminal 1-6,1-9,1-11	174721	Connector (30 Pt) 1-11
119634**	Button 1-3	151629	Nut (6-40 Lug) 1-10	174722	Connector (50 Pt) 1-11
119636**	Button 1-2	151630	Screw (6-40 x 1/4 Hex) 1-3,1-5,1-9	174723	Connector (80 Pt) 1-11
119648	Ring, Retaining 1-5	151631	Screw (6-40 x 5/16 Hex) 1-7,1-8	174785	Terminal, Male 1-11
119652	Ring, Retaining 1-4,1-6	151632	Screw (6-40 x 3/8 Hex) 1-3,1-6,1-7,1-8,1-9,1-10	175060	Trim 1-3
119654	Ring, Retaining 1-6			176578	Handle 1-4
120165	Fuse (10 Amp) 1-3	151657	Screw (6-40 x 1/4 Fil) 1-2,1-3	179495	Screw (10-24 x 1/2 Hex) 1-4
120175	Plate (Off-On) 1-3	151686	Screw (4-40 x 3/8 Fil) 1-6	180675	Screw (#6 Self-Tapping) 1-10
121243	Clamp, Cable (3/16" ID) 1-2,1-4	151694	Screw (6-40 x 11/32 Fil) 1-7	181241	Screw w/Lockwasher (6-40 x 1/4 Hex) 1-10
121244	Clamp, Cable (1/4" ID) 1-2,1-9	151722	Screw (6-40 x 3/16 Hex) 1-7	182501	Capacitor (1500 mfd) 1-10
121245	Clamp, Cable (5/16" ID) 1-6,1-10	151723	Screw (10-32 x 3/8 Hex) 1-2,1-8	182519	Transformer 1-10
121246	Clamp, Cable (3/8" ID) 1-2	151827	Strap 1-3	182523	Clamp, Mounting 1-10
121248	Clamp, Cable (1/2" ID) 1-2,1-4	151880	Nut (4-40 Hex) 1-4	182540	Plug (15 Circuit) 1-11
121249	Clamp, Cable (5/8" ID) 1-2	152763	Jumper (2" Yellow) 1-10	182611	Fuse, Slo-8lo (3/8 Amp) 1-10
121250	Clamp, Cable (3/4" ID) 1-2	153441	Screw (10-32 x 7/16 Hex) 1-7	182669	Relay, Power 1-9
124611	Screw (8-32 x 3/8 Hex) 1-4,1-8	153484	Screw (6-30 x 1/4 Fil) 1-9	192007	Terminal, Female 1-10,1-11
125011	Washer, Flat 1-4	153631	Network, Spark Suppression 1-8	193040	Connector w/Guide Slots (15Pt) 1-10
125231	Nut (10-32 Hex) 1-2	153819	Washer, Lock 1-8		
125250	Spring 1-4	155023	Switch, Toggle 1-11		
137602	Resistor (470 Ohm) 1-9	155551	Ring, Retaining 1-7		

## NUMERICAL INDEX - SECTION 1 (Continued)

Part Number	Description and Page Number	Part Number	Description and Page Number	Part Number	Description and Page Number
193400	Driver Assembly 1-10	194560	Box, Chad 1-7	194602	Bracket, Unwinder Pivot Arm 1-6
193405	Nut, Speed 1-10	194561**	Bracket, Chad Chute Extension 1-7	194603	Post, Tape Lever Pivot 1-4
193435	Cable Assembly 1-10	194562**	Retainer, Chad Box 1-7	194604	Post, Spring 1-4
193439	Resistor (32 Ohm) 1-10	194563	Grommet, Rubber 1-7	194606	Capacitor (5 mfd) 1-9
193440	Card, Circuit 1-10	194564**	Cover, Plastic 1-3	194607	Cable Assembly 1-11
193450	Plate, Mounting 1-10	194566	Guide, Tape 1-2	194616	Cable Assembly 1-11
193868	Board, Terminal 1-9	194567**	Panel, Control 1-3	194620	Capacitor (900 mfd) 1-9
194500**	Cabinet 1-2	194568**	Panel 1-3	194621	Cable Assembly 1-11
194549**	Panel, Front 1-4	194569**	Shelf, Tape Winder 1-2	194704**	Panel, Front 1-4
194550**	Frame, Inner 1-4	194570	Guide w/Roller, Tape 1-3	194705	Cable Assembly 1-11
194551	Bracket, Unit Mounting 1-8	194571**	Insert 1-7	194707	Bracket, Mounting 1-9
194552**	Panel Assembly 1-8	194572	Bracket w/Hinge 1-3	194708	Brace, Left 1-4
194553	Bar, Right 1-8	194574	Cable Assembly 1-11	194709	Brace, Right 1-4
194554	Bar, Left 1-8	194575	Post, Locating 1-2	194713	Channel 1-4
194555**	Bracket, Mounting 1-8	194595	Feed-Out Assembly, "LTRS" 1-9	194714	Hanger, Right 1-4
194556**	Pan 1-8	194597	Plate, Mounting 1-9	194715	Hanger, Left 1-4
194557	Guard, Gear 1-8	194598	Cable Assembly 1-11	194716	Plate, Instruction (Tape Feed-Out) 1-3
194558	Plate, Connector Mounting 1-8	194600	Capacitor (2000 mfd) 1-9	194717	Post, Unwinder Pivot 1-6
194559	Extension, Chad Chute 1-7	194601	Bracket, Mounting 1-9		

**SECTION 2**  
**MODULES**

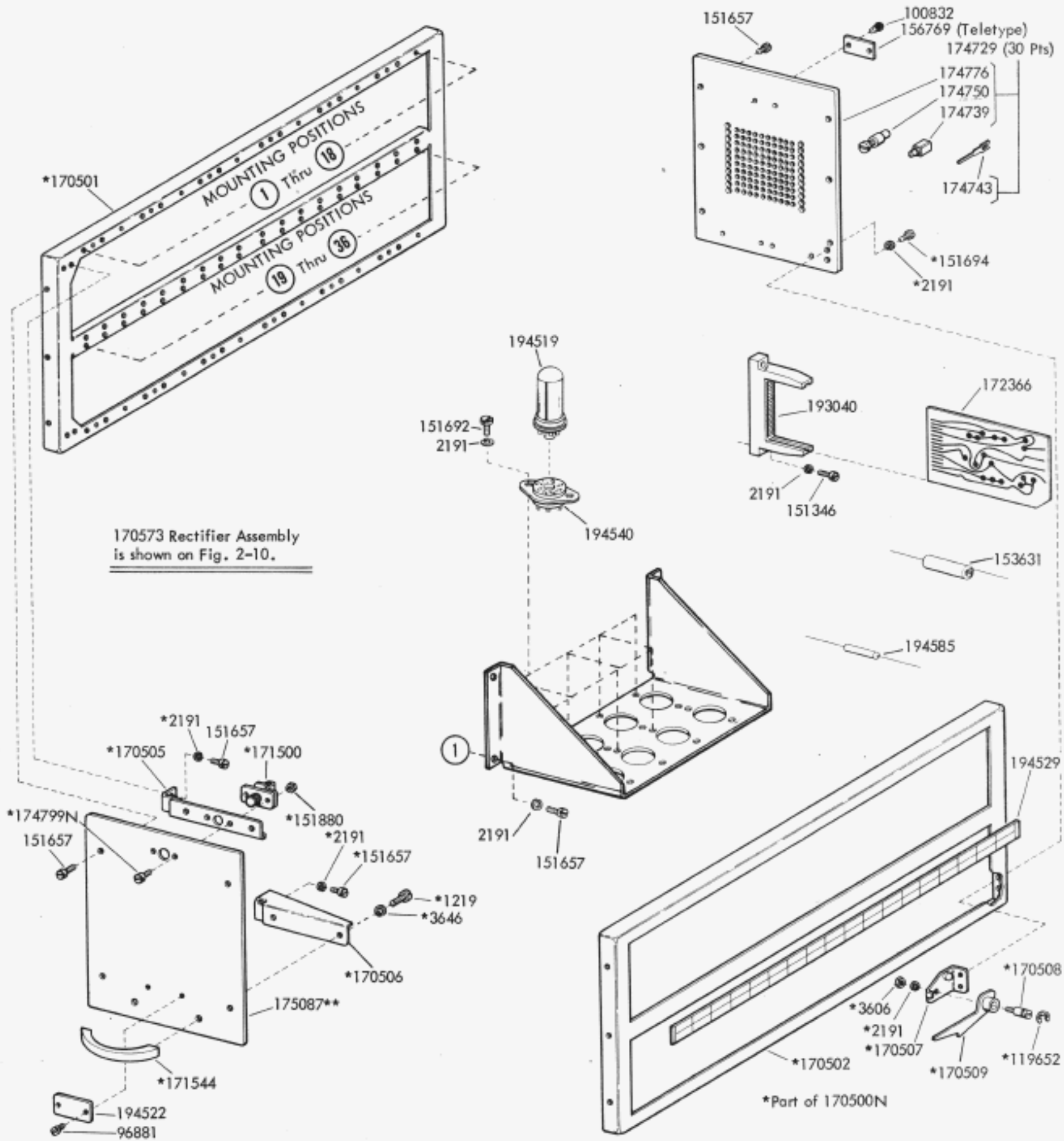


Identification Strip

1	2	3	4	5	6	7	8	9	10	11	12	13	14	15	16	17	18
145003 K125		145003 K126		145003 K127		171511 K128		171511 K129		171511 K131		171511 K132		172366 Z108	172366 Z109	172366 Z110	
19	20	21	22	23	24	25	26	27	28	29	30	31	32	33	34	35	36
		171516 K138 K139			171511 K133		171511 K134		171502 K135		171511 K136		171511 K137				

FIGURE 2-1. 194507\*\* CONTROL CIRCUIT MODULE (CC 7-5)

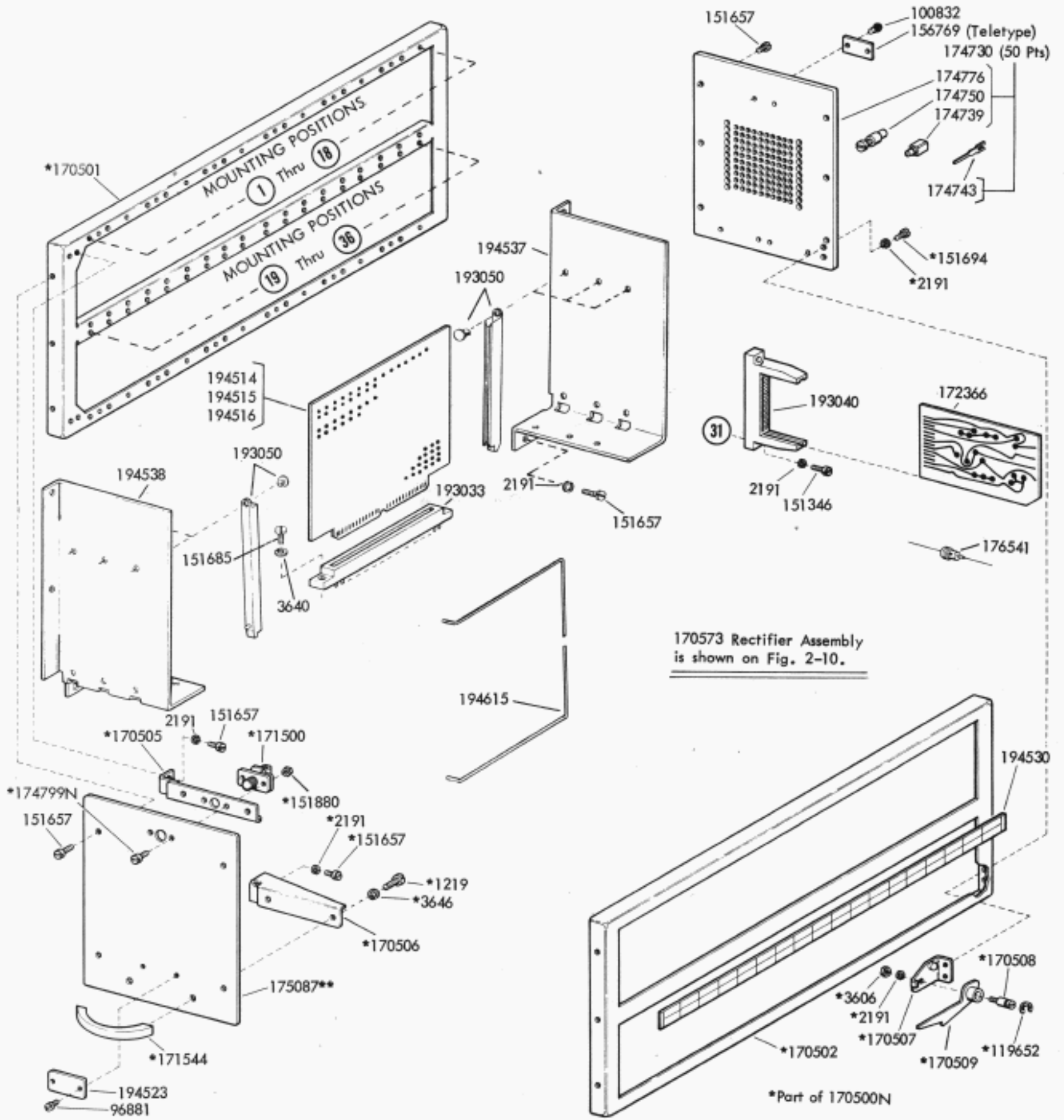




Identification Strip

1	2	3	4	5	6	7	8	9	10	11	12	13	14	15	16	17	18
	194519 K101 J101 K105	194540 J101 J105	194519 K102 K106	194540 J102 J106	194519 K103 K107	194540 J103 J107	194519 K104	194540 J104 J108		172366 Z101	172366 Z102				170573 Z103		
19	20	21	22	23	24	25	26	27	28	29	30	31	32	33	34	35	36
															J121		

FIGURE 2-3. 194511\*\* CHARACTER STORAGE MODULE (CS 7-5)



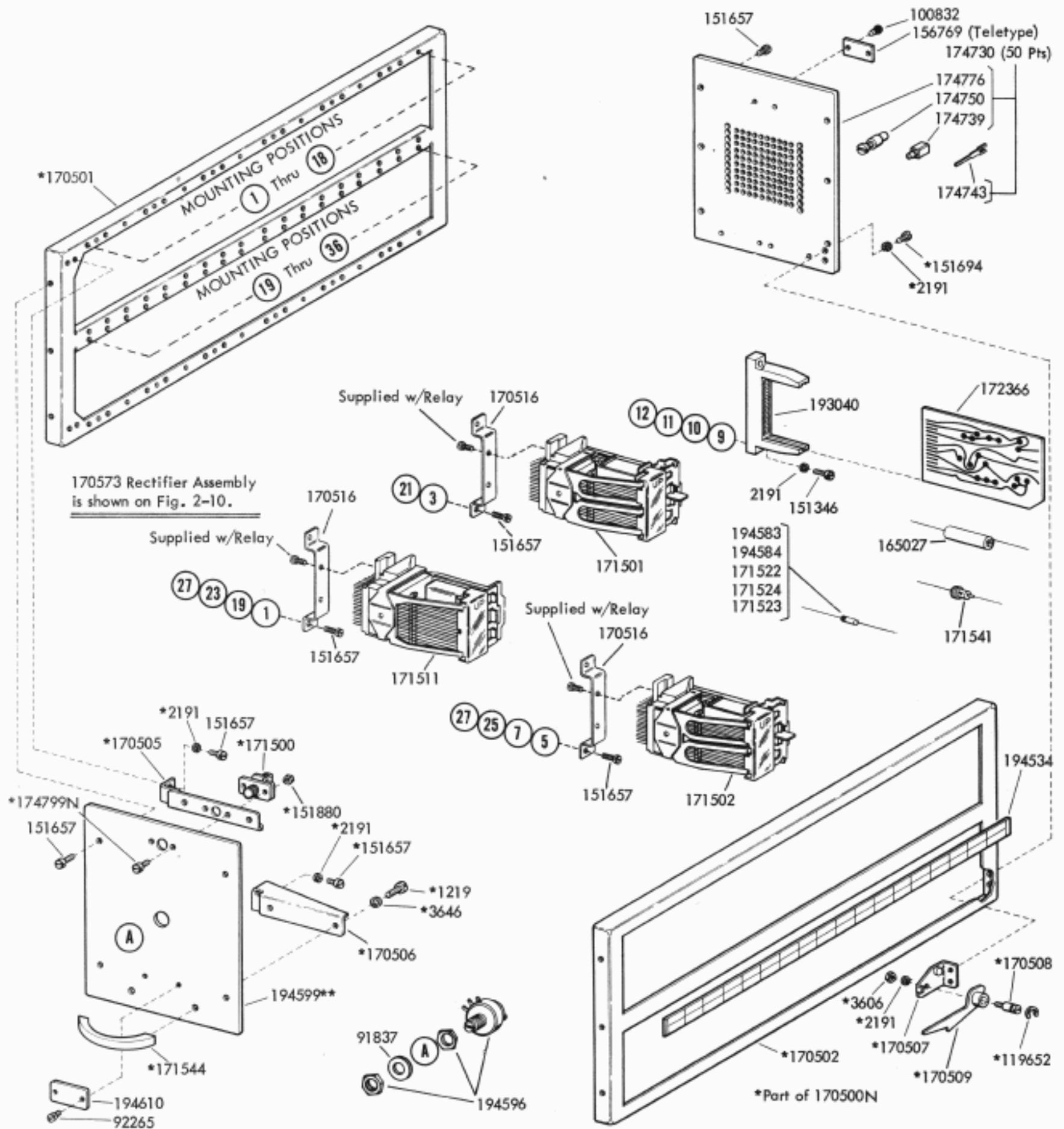
Identification Strip

1	2	3	4	5	6	7	8	9	10	11	12	13	14	15	16	17	18
					Z106 Z105	J114 J113									170573 Z111		
19	20	21	22	23	24	25	26	27	28	29	30	31	32	33	34	35	36
					Z104	J112 193033						172366 Z111			J119		

FIGURE 2-4. 194512\*\* DIODE MATRIX MODULE (DM 7-5)



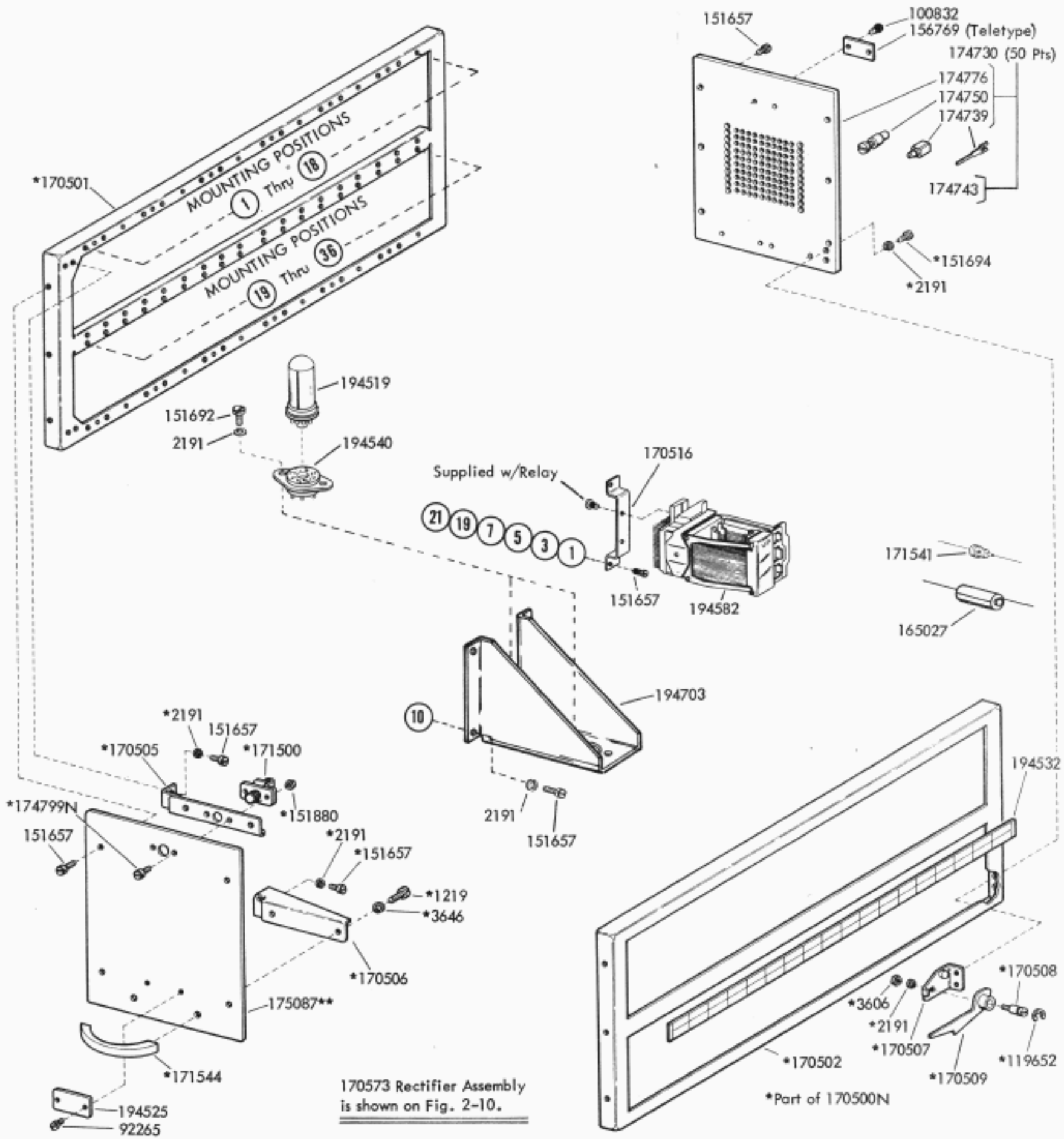




Identification Strip

1	2	3	4	5	6	7	8	9	10	11	12	13	14	15	16	17	18
171511 K112		171501 K113		171502 K114		171502 K115		172366 Z108	172366 Z107	172366 Z106	172366 Z109				170573 Z105		
19	20	21	22	23	24	25	26	27	28	29	30	31	32	33	34	35	36
171511 K116		171501 K117		171511 K118		171502 K119		171511 K121		171502 K120							

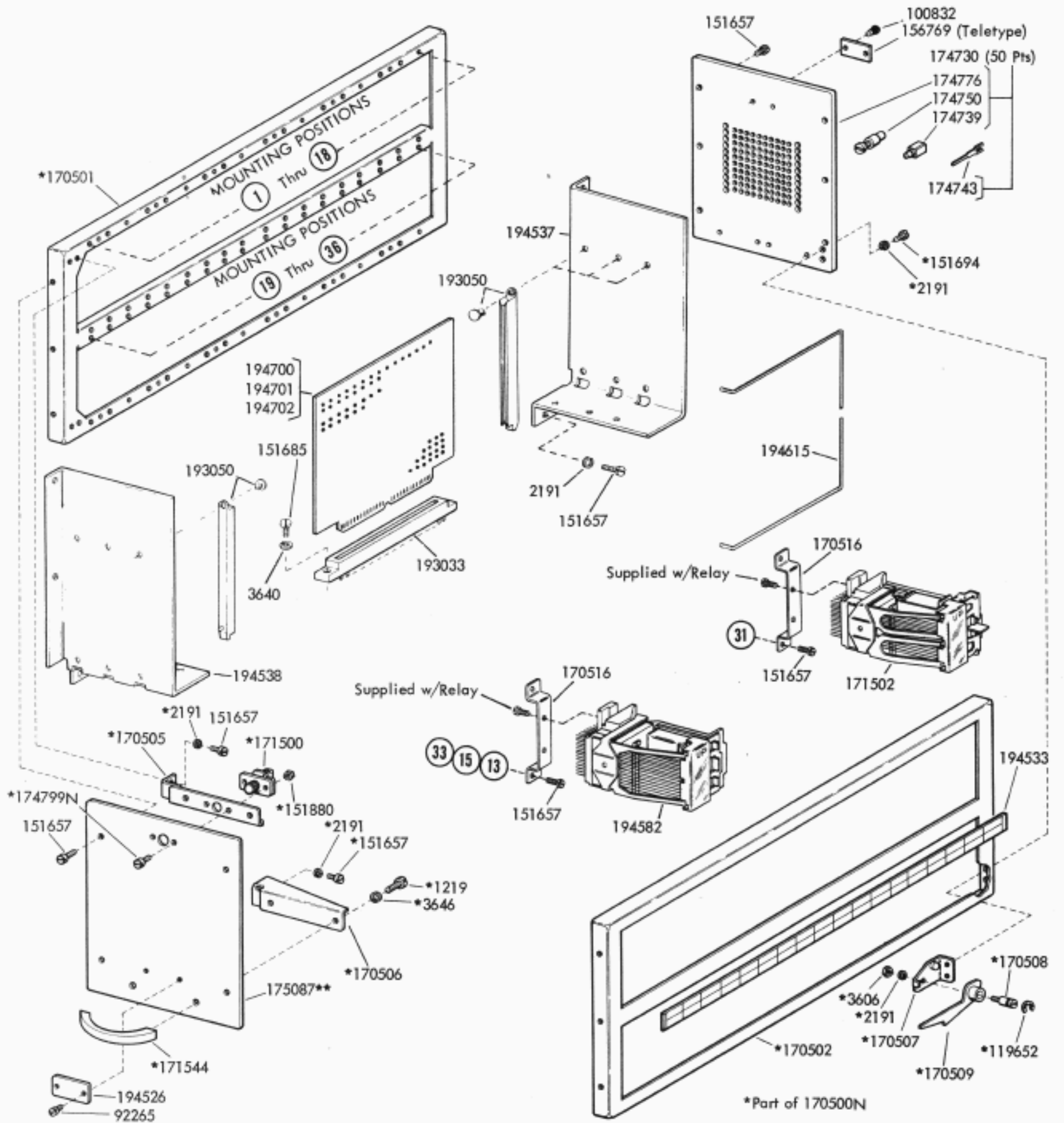
FIGURE 2-6. 194614\*\* CONTROL CIRCUIT MODULE (CC 5-7)



Identification Strip

1	2	3	4	5	6	7	8	9	10	11	12	13	14	15	16	17	18
194582 K101		194582 K102		194582 K103		194582 K104				194519 K107 K108	194540 J101 J102				170573 Z101		
19	20	21	22	23	24	25	26	27	28	29	30	31	32	33	34	35	36
194582 K105		194582 K106													J103		

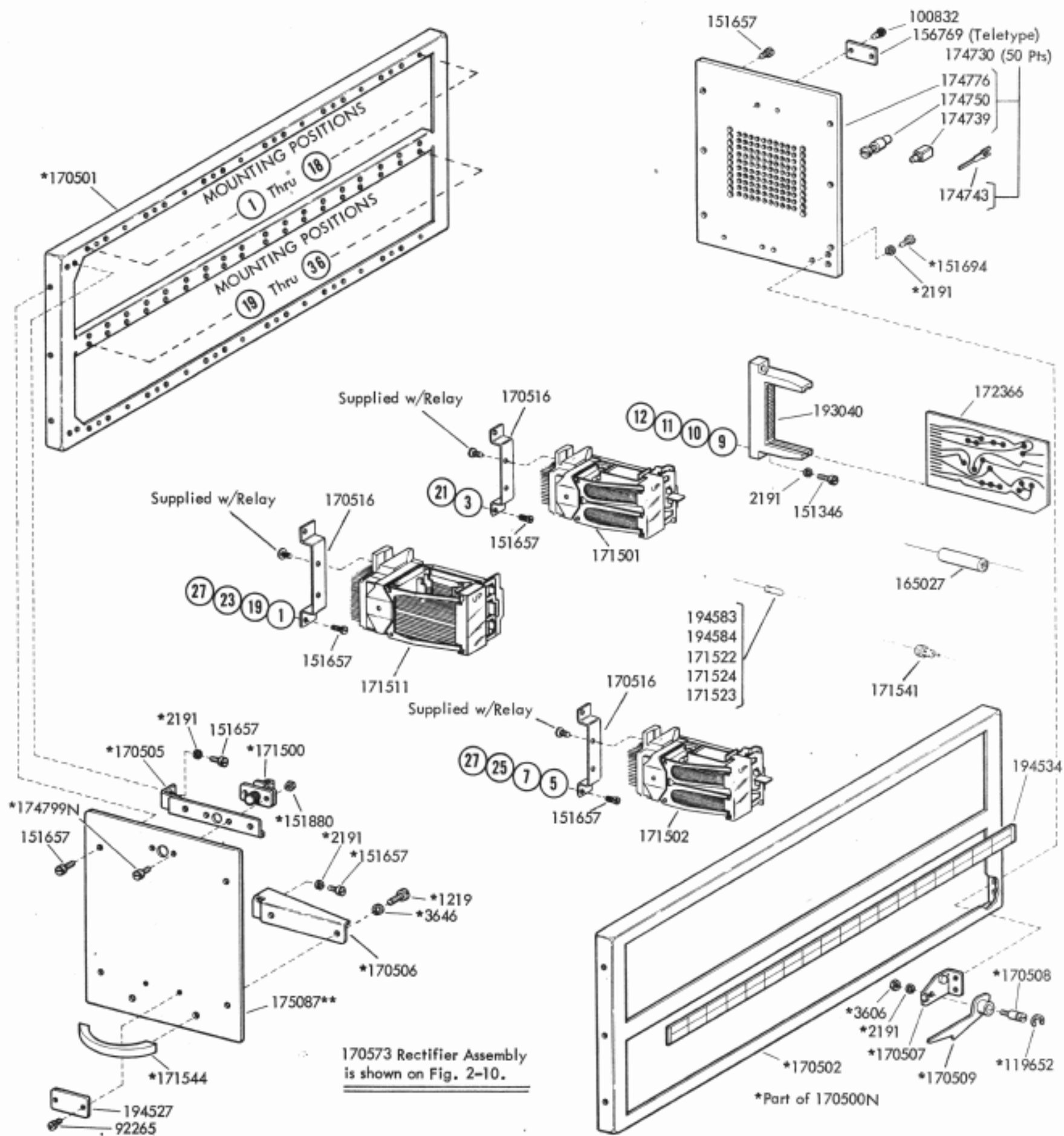
FIGURE 2-7. 194710\*\* TRANSFER TREE MODULE (TT 5-7)



Identification Strip

1	2	3	4	5	6	7	8	9	10	11	12	13	14	15	16	17	18
					Z104 Z103	J108 J107						194582 K109		194582 K111			
19	20	21	22	23	24	25	26	27	28	29	30	31	32	33	34	35	36
					Z102	J106 193033						171502 K122		194582 K110			

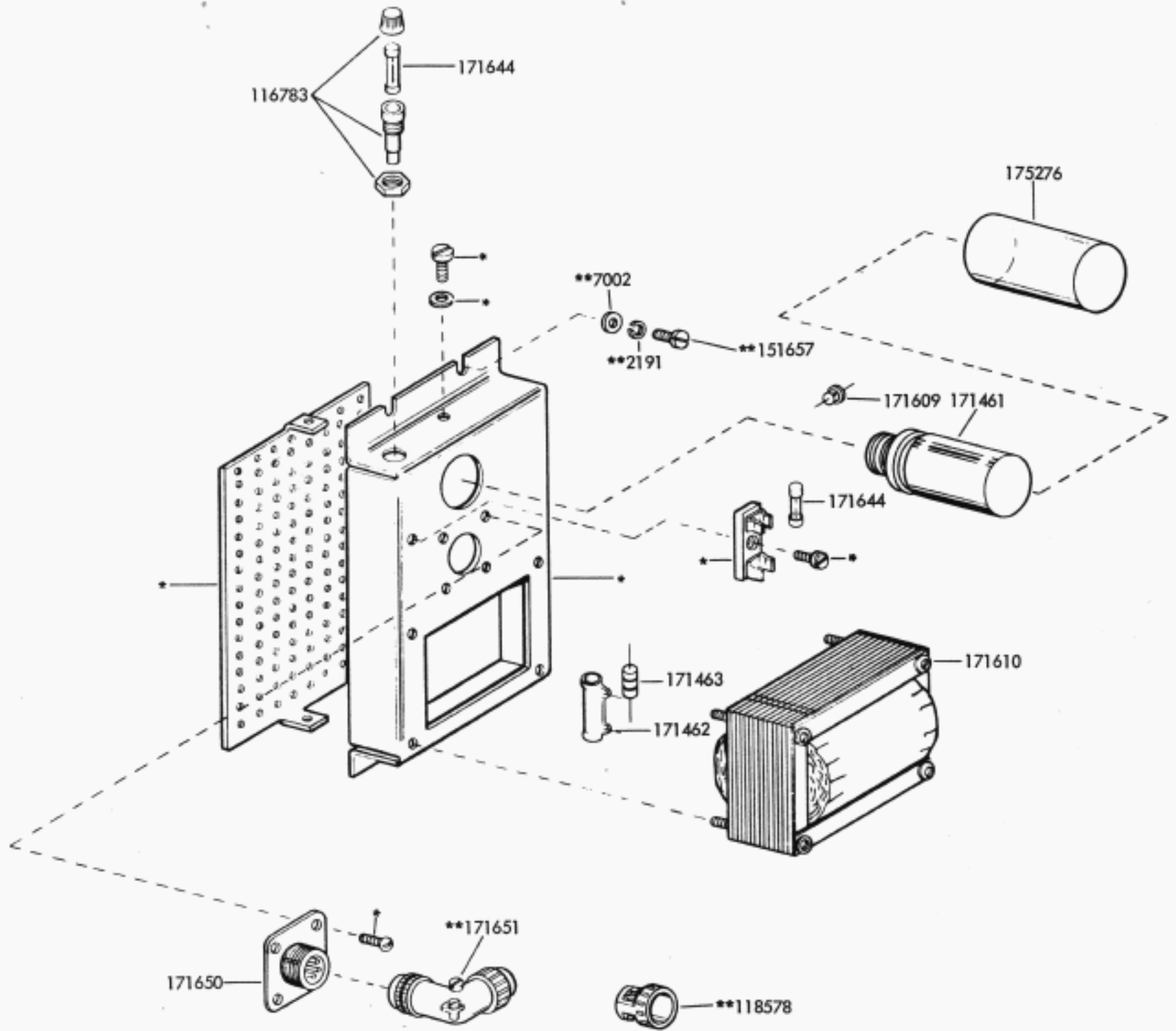
FIGURE 2-8. 194711\*\* DIODE MATRIX MODULE (DM 5-7)



Identification Strip

1	2	3	4	5	6	7	8	9	10	11	12	13	14	15	16	17	18
171511 K112		171501 K113		171502 K114		171502 K115		172366 Z108	172366 Z107	172366 Z106	172366 Z109				170573 Z105		
19	20	21	22	23	24	25	26	27	28	29	30	31	32	33	34	35	36
171511 K116		171501 K117		171511 K118		171502 K119		171511 K121		171502 K120					J109		

FIGURE 2-9. 194712\*\* CONTROL CIRCUIT MODULE (CC 5-7)



\*Replacement part numbers not assigned.  
 \*\*Not part of 170573

FIGURE 2-10. 170573 RECTIFIER ASSEMBLY

## NUMERICAL INDEX - SECTION 2

Part Number	Description and Page Number	Part Number	Description and Page Number	Part Number	Description and Page Number
1219	Screw (8-32 x 5/16 Fil) 2-2 to 2-10	171463	Resistor (1 Ohm) 2-11	194514	Card, Circuit 2-5
2191	Washer, Lock 2-2 to 2-11	171500	Fastener 2-2 to 2-10	194515	Card, Circuit 2-5
3606	Nut (6-40 Hex) 2-2 to 2-10	171501	Relay 2-7	194516	Card, Circuit 2-5
3640	Washer, Lock 2-5, 2-9	171502	Relay 2-2, 2-6, 2-7, 2-9, 2-10	194519	Relay, Mercury 2-4, 2-8
3646	Washer, Lock 2-2 to 2-10	171511	Relay 2-2, 2-6, 2-7, 2-10	194521	Plate, Identification (TT 7-5) 2-3
7002	Washer, Flat 2-11	171516	Relay 2-2, 2-6	194522	Plate, Identification (CS 7-5) 2-4
91837	Washer, Insulating 2-6, 2-7	171522	Resistor (400 Ohms) 2-2, 2-6, 2-7	194523	Plate, Identification (DM 7-5) 2-5
92265	Screw (2-56 x 1/8 Fil) 2-7 to 2-10	171523	Resistor (500 Ohms) 2-7	194524	Plate, Identification (CC 7-5) 2-6
96881	Screw (2-56 x 1/8 Fil) 2-2 to 2-6	171524	Resistor (700 Ohms) 2-7	194525	Plate, Identification (TT 5-7) 2-8
100832	Screw, Drive 2-2 to 2-10	171541	Diode, Silicon 2-2, 2-6, 2-7, 2-8, 2-10	194526	Plate, Identification (DM 5-7) 2-9
116783	Holder, Fuse 2-11	171544	Handle 2-2 to 2-10	194527	Plate, Identification (CC 5-7) 2-10
118578	Clamp, Cable 2-11	171609	Diode, Silicon 2-11	194528	Strip, Identification 2-3
119652	Ring, Retaining 2-2 to 2-10	171610	Transformer 2-11	194529	Strip, Identification 2-4
145003	Relay 2-2, 2-6	171644	Fuse (1-1/2 Amps) 2-11	194530	Strip, Identification 2-5
151346	Screw (6-40 x 3/8 Fil) 2-2, 2-4 to 2-7, 2-10	171650	Connector, Plug (3 Pt) 2-11	194531	Strip, Identification 2-2, 2-6
151657	Screw (6-40 x 1/4 Fil) 2-2 to 2-11	171651	Connector, Receptacle (3 Pt) 2-11	194532	Strip, Identification 2-8
151685	Screw (4-40 x 5/16 Fil) 2-5, 2-9	172366	Card, Circuit 2-2, 2-4 to 2-7, 2-10	194533	Strip, Identification 2-9
151692	Screw (6-40 x 3/16 Fil) 2-4, 2-8	174729	Plate Assembly, Rear 2-2, 2-4, 2-6	194534	Strip, Identification 2-7, 2-10
151694	Screw (6-40 x 11/32 Fil) 2-2 to 2-10	174730	Plate Assembly, Rear 2-5, 2-7 to 2-10	194537	Bracket, Right 2-5, 2-9
151880	Nut (4-40 Hex) 2-2 to 2-10	174731	Plate Assembly, Rear 2-3	194538	Bracket, Left 2-5, 2-9
153631	Network, Spark Suppression 2-2, 2-4, 2-6	174739	Insulator (White) 2-2 to 2-10	194540	Socket (8 Pt) 2-4, 2-8
156769	Plate (Teletype) 2-2 to 2-10	174743	Terminal, Female 2-2 to 2-10	194576	Bracket, Mounting 2-2, 2-6
165027	Network 2-7, 2-8, 2-10	174750	Key Assembly, Locating 2-2 to 2-10	194582	Relay 2-3, 2-8, 2-9
170500N	Frame Assembly, Module 2-2 to 2-10	174776	Plate, Connector 2-2 to 2-10	194583	Resistor (250 Ohms) 2-2, 2-6, 2-7
170501	Frame, Left 2-2 to 2-10	174799N	Screw (4-40 x 11/32 Fil) 2-2 to 2-10	194584	Resistor (350 Ohms) 2-2, 2-6, 2-7
170502	Frame, Right 2-2 to 2-10	175087**	Plate, Front 2-2 to 2-5, 2-8 to 2-10	194585	Resistor (900 Ohms) 2-4
170505	Gusset, Upper 2-2 to 2-10	175276	Insulator 2-11	194596	Potentiometer (7,500 Ohms) 2-6, 2-7
170506	Gusset, Lower 2-2 to 2-10	176541	Capacitor (3 mfd) 2-5, 2-10	194599**	Plate, Front 2-6, 2-7
170507	Bracket w/Pin 2-2 to 2-10	193033	Connector (56 Pt) 2-5, 2-9	194609	Plate, Identification (CC 7-5) 2-2
170508	Post, Supporting 2-2 to 2-10	193040	Connector (15 Pt) 2-2, 2-4 to 2-7, 2-10	194610	Plate, Identification (CC 5-7) 2-7
170509	Latch w/Hub 2-2 to 2-10	193050	Guide, Card 2-5, 2-9	194614**	Module Assembly 2-7
170516	Bracket, Relay 2-3, 2-7 to 2-10	194507**	Module Assembly 2-2	194615	Retainer, Circuit Card 2-5, 2-9
170517	Bracket, Relay 2-2, 2-6	194510**	Module Assembly 2-3	194700	Card, Circuit 2-9
170573	Rectifier Assembly (48 Volt, DC) 2-4, 2-5, 2-7, 2-8, 2-11	194511**	Module Assembly 2-4	194701	Card, Circuit 2-9
171461	Capacitor (900 mfd) 2-11	194512**	Module Assembly 2-5	194702	Card, Circuit 2-9
171462	Resistor (450 Ohms) 2-11	194513**	Module Assembly 2-6	194703	Bracket, Mounting 2-8
				194710**	Module Assembly 2-8
				194711**	Module Assembly 2-9
				194712**	Module Assembly 2-10

**SECTION 3**  
**NUMERICAL INDEX**

## MASTER NUMERICAL INDEX

Part Number	Page	Part Number	Page	Part Number	Page	Part Number	Page
1170	1-2	117535	1-8	146514	1-5	159238	1-11
1219	2-2 to 2-10	118578	2-11	146515	1-3	160474	1-4,1-5
1264	1-4	119525	1-11	146517	1-6	160664	1-6
2191	1-2 to 1-10, 2-2,2-11	119634**	1-3	146518	1-5,1-6	161239	1-11
2669	1-2,1-4, 1-7,1-8	119636**	1-2	146612	1-6	161246	1-7
3438	1-4	119648	1-5	146698	1-6	161552	1-8
3598	1-2 to 1-10	119652	1-4,1-6, 2-2 to 2-10	150040	1-10	161595	1-11
3606	1-5,1-9,2-2 to 2-10	119654	1-6	150966	1-8	161711	1-4
3632	1-10	120165	1-3	151335	1-3,1-8	161716	1-4
3640	1-6,2-5,2-9	120175	1-3	151346	1-2,1-3,1-4, 2-2 to 2-10	162204	1-8
3642	1-4,1-8	121243	1-2,1-4	151411	1-3	162205	1-8
3646	1-4,1-6,1-8, 2-2 to 2-10	121244	1-2,1-9	151412	1-3	162291	1-8
5599	1-6	121245	1-6,1-10	151416	1-3	162725	1-5
6345	1-4	121246	1-2	151416	1-3	162958	1-6
7002	1-2 to 1-10, 2-11	121248	1-2,1-4	151606	1-8	164235**	1-2
34432	1-4,1-7	121249	1-2	151626	1-6,1-9,1-11	165027	2-7,2-8,2-10
35551	1-4	121249	1-2	151629	1-10	165051	1-9
35826	1-2	121250	1-2	151630	1-3,1-5,1-9	165239	1-11
44035	1-4	124611	1-4,1-8	151631	1-7,1-8	170500N	2-2 to 2-10
45026	1-8	125011	1-4	151632	1-3,1-6,1-7, 1-8,1-9,1-10	170501	2-2 to 2-10
70073	1-8	125231	1-2	151657	1-2,1-3,2-2 to 2-11	170502	2-2 to 2-10
73894	1-6	125250	1-4	151685	2-5,2-9	170505	2-2 to 2-10
74547	1-5,1-6	137602	1-9	151686	1-6	170506	2-2 to 2-10
74722	1-3	139679	1-4	151692	2-4,2-8	170507	2-2 to 2-10
74961	1-5	144590	1-10	151694	1-7,2-2 to 2-10	170508	2-2 to 2-10
77920	1-10	145003	2-2,2-6	151722	1-7	170509	2-2 to 2-10
80342	1-4	145901**	1-2	151723	1-2,1-8	170516	2-3,2-7 to 2-10
82474	1-3	145902**	1-2	151827	1-3	170517	2-2,2-6
82832	1-4	145903	1-6	151880	1-4,2-2 to 2-10	170573	2-4,2-5,2-7, 2-8,2-11
89969	1-10	145904	1-2	152763	1-10	170863	1-8
91837	2-6,2-7	145905	1-2	153441	1-7	171461	2-11
92265	2-7 to 2-10	145906**	1-3	153484	1-9	171462	2-11
96881	2-2 to 2-6	145909	1-4	153631	1-8,2-2,2-4, 2-6	171463	2-11
98718	1-6	145910	1-4	156769	2-2 to 2-10	171500	2-2 to 2-10
100832	2-2 to 2-10	145911	1-6	153819	1-8	171501	1-9,2-7
103039	1-6	145912	1-6	155023	1-11	171502	1-9,2-2,2-6, 2-7,2-9,2-10
103041	1-6	145919	1-4	155551	1-7	171511	2-2,2-6,2-7, 2-10
103043	1-6	145920	1-4	155750	1-3,1-10	171516	2-2,2-6
107116	1-3,1-6	145921**	1-4	155753	1-11	171522	2-2,2-6,2-7
107364	1-3	145926	1-6	155861	1-4	171523	2-7
107398	1-6	145929**	1-4	156501	1-8	171524	1-9,2-7
111017	1-3	145930	1-6	156656	1-3	171541	1-9,2-2,2-6, 2-7,2-8,2-10
112626	1-4,1-6,1-8	145934	1-6	156740	1-8	171544	2-2 to 2-10
114091	1-4	145937	1-6	156768	1-6	171609	2-11
114466	1-11	145957	1-5	156805	1-7	171610	2-11
114467	1-3,1-8	145968	1-2	156806	1-7	171644	2-11
114654	1-9	145976	1-6	156819	1-7	171650	2-11
116783	1-3,1-10, 2-11	145982	1-6	156821	1-7	171651	2-11
117366	1-6	145983	1-2	158239	1-4	172366	2-2,2-4 to 2-7, 2-10
		146341	1-5	158859	1-5		
		146343	1-5				
		146355	1-6				
		146357	1-6				
		146420	1-11				
		146513	1-5				



## MASTER NUMERICAL INDEX (Continued)

Part Number	Page	Part Number	Page	Part Number	Page	Part Number	Page
172715	1-2	182669	1-9	194534	2-7, 2-10	194597	1-9
172720	1-4	192007	1-10, 1-11	194537	2-5, 2-9	194598	1-11
172763	1-2	193033	2-5, 2-9	194538	2-5, 2-9	194599**	2-6, 2-7
173116	1-5	193040	1-10, 2-2 to 2-10	194540	2-4, 2-8	194600	1-9
174001	1-3			194549**	1-4	194601	1-9
174595	1-8	193050	2-5, 2-9	194550**	1-4	194602	1-6
174618	1-2	193400	1-10	194551	1-8	194603	1-4
174619	1-2	193405	1-10	194552**	1-8	194604	1-4
174645	1-11	193435	1-10	194553	1-8	194606	1-9
174678	1-3	193439	1-10	194554	1-8	194607	1-11
174721	1-11	193440	1-10	194555**	1-8	194609	2-2
174722	1-11	193450	1-10	194556**	1-8	194610	2-7
174723	1-11	193868	1-9	194557	1-8	194614**	2-7
174729	2-2, 2-4, 2-6	194500**	1-2	194558	1-8	194615	2-5, 2-9
174730	2-5, 2-7 to 2-10	194507**	2-2	194559	1-7	194616	1-11
		194510**	2-3	194560	1-7	194620	1-9
174731	2-3	194511**	2-4	194561**	1-7	194621	1-11
174739	2-2 to 2-10	194512**	2-5	194562**	1-7	194700	2-9
174743	2-2 to 2-10	194513**	2-6	194563	1-7	194701	2-9
174750	2-2 to 2-10	194514	2-5	194564**	1-3	194702	2-9
174776	2-2 to 2-10	194515	2-5	194566	1-2	194703	2-8
174785	1-11	194516	2-5	194567**	1-3	194704**	1-4
174799N	2-2 to 2-10	194519	2-4, 2-8	194568**	1-3	194705	1-11
175060	1-3	194521	2-3	194569**	1-2	194707	1-9
175087**	2-2 to 2-5, 2-8, 2-9, 2-10	194522	2-4	194570	1-3	194708	1-4
		194523	2-5	194571**	1-7	194709	1-4
175276	2-11	194524	2-6	194572	1-3	194710	2-8
176541	2-5, 2-10	194525	2-8	194574	1-11	194711**	2-9
176578	1-4	194526	2-9	194575	1-2	194712**	2-10
179495	1-4	194527	2-10	194576	2-2, 2-6	194713	1-4
180675	1-10	194528	2-3	194582	2-3, 2-8, 2-9	194714	1-4
181241	1-10	194529	2-4	194583	2-2, 2-6, 2-7	194715	1-4
182501	1-10	194530	2-5	194584	2-2, 2-6, 2-7	194716	1-3
182519	1-10	194531	2-2, 2-6	194585	2-4	194717	1-6
182523	1-10	194532	2-8	194595	1-9		
182540	1-11	194533	2-9	194596	2-6, 2-7		
182611	1-10						