

WES- 9/21/44

APPARATUS NOT USED BY
BELL SYSTEM

BULLETIN No. 1123
ISSUE 1
SEPTEMBER, 1944

TELETYPE

PRINTING TELEGRAPH SYSTEMS

PARTS

SIGNAL DISTORTION TEST SET
(CODE DISC OPERATED, REMOTE OR LOCAL CONTROL,
TWO TEST MESSAGES)

CONSISTING OF
ED56GT SIGNAL DISTORTION TEST UNIT
&
AP9 ADAPTER PLATE WITH COVER

TELETYPE

REG. U.S. PAT. OFF.
CORPORATION

SUBSIDIARY OF

Western Electric Company

CHICAGO, U.S.A.

TELETYPE

PRINTING TELEGRAPH SYSTEMS

PARTS

SIGNAL DISTORTION TEST SET
(CODE DISC OPERATED, REMOTE OR LOCAL CONTROL,
TWO TEST MESSAGES)

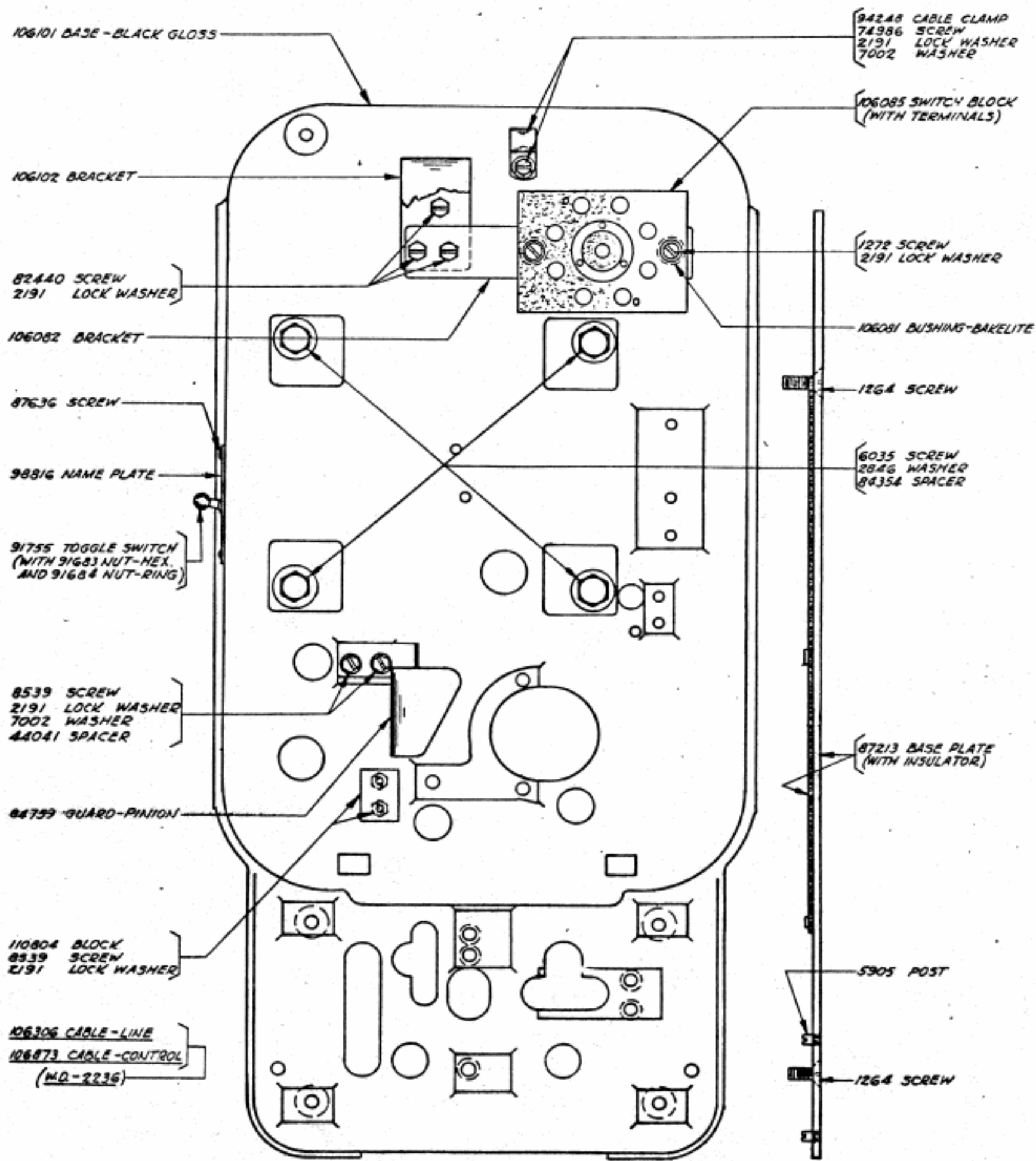
CONSISTING OF
ED56GT SIGNAL DISTORTION TEST UNIT
&
AP9 ADAPTER PLATE WITH COVER



REG. U.S. PAT. OFF.
CORPORATION
SUBSIDIARY OF
Western Electric Company
CHICAGO, U. S. A.

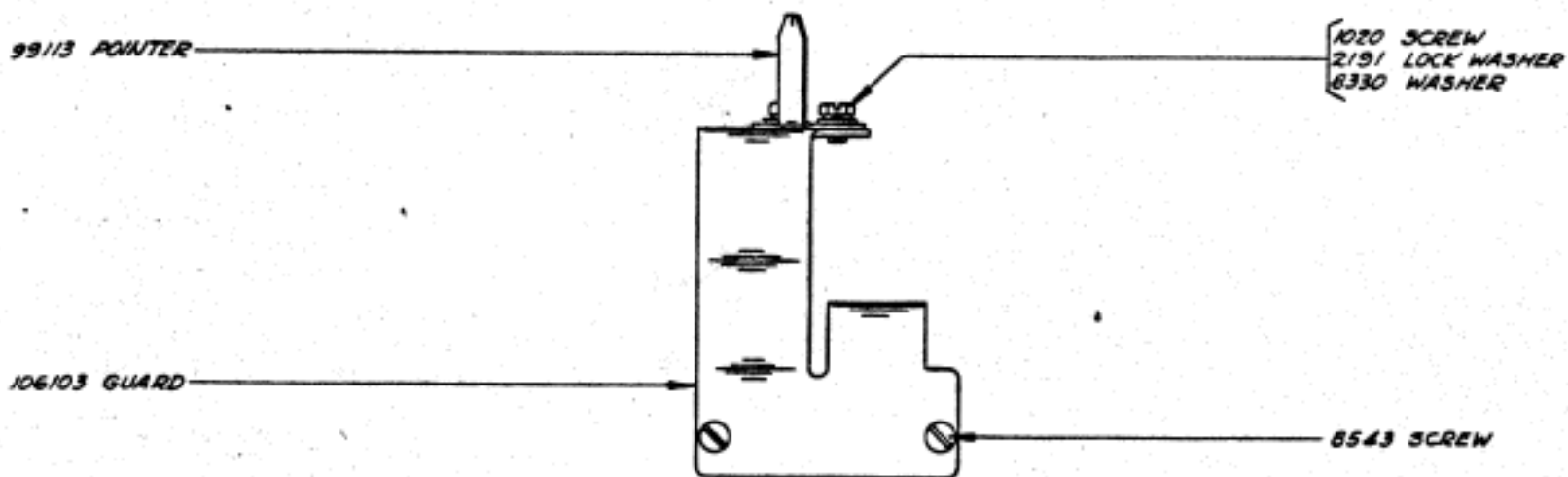
ALPHABETICAL INDEX

DESCRIPTION	PAGE NO.	DESCRIPTION	PAGE NO.
Adjusting Ring - Disc	4	Guard and Pointer	2
Base	1	Intermediate Shaft (Assem.)	2
Base Plate	1	Knobs	6
Brush Holder (Assem.)	4	Main Shaft (Assem.)	4
Brush Springs	4	Main Shaft Bracket (Assem.)	4
Cables	1,7,10	Motor - Synchronous	8
Cable (Assem.)	7	Motor Unit (Assem.)	8
Cable Clamps	1,9	Mounting Plate (Assem.)	9
Cam Sleeve - Contact Springs	5	Mounting Strip (Assem.)	9
Clutch Arm	2	Name Plate	1,6,10
Code Discs	2	Numerical Index	11
Code Disc Bearing (Assem.)	2	Pinion	2,4,8
Condensers	6,8	Plug - Cable	7
Contact Lever (Assem.)	3	Plug - Cord	9
Contact Lever Bracket (Assem.)	3	Pointer - Scale	2
Contact Screw Bridge (Assem.)	3	Relay - (Assem.)	3
Contact Spring (Assemblies)	5	Resistor	7
Contact Spring Cam Sleeve	5	Resistor and Guard	7
Cord (Assem.)	9	Scale - Pointer	4
Cover (Assem.)	10	Slip Connection Strip (Assem.)	7
Disc (Assem.)	4	Socket	10
Disc Adjusting Ring	4	Solenoid Unit and Condenser (Assem.)	6
Distortion Switch (Assem.)	5	Switches	1,2,6
Filter (Assem.)	7	Synchronous Motor	8
Foot - Rubber	9	Terminal Block (Assem.)	3,7,10
Gears	2,4,8	Toggle Switch	1,2
Guards	1,2,7,9	Top Plate	6

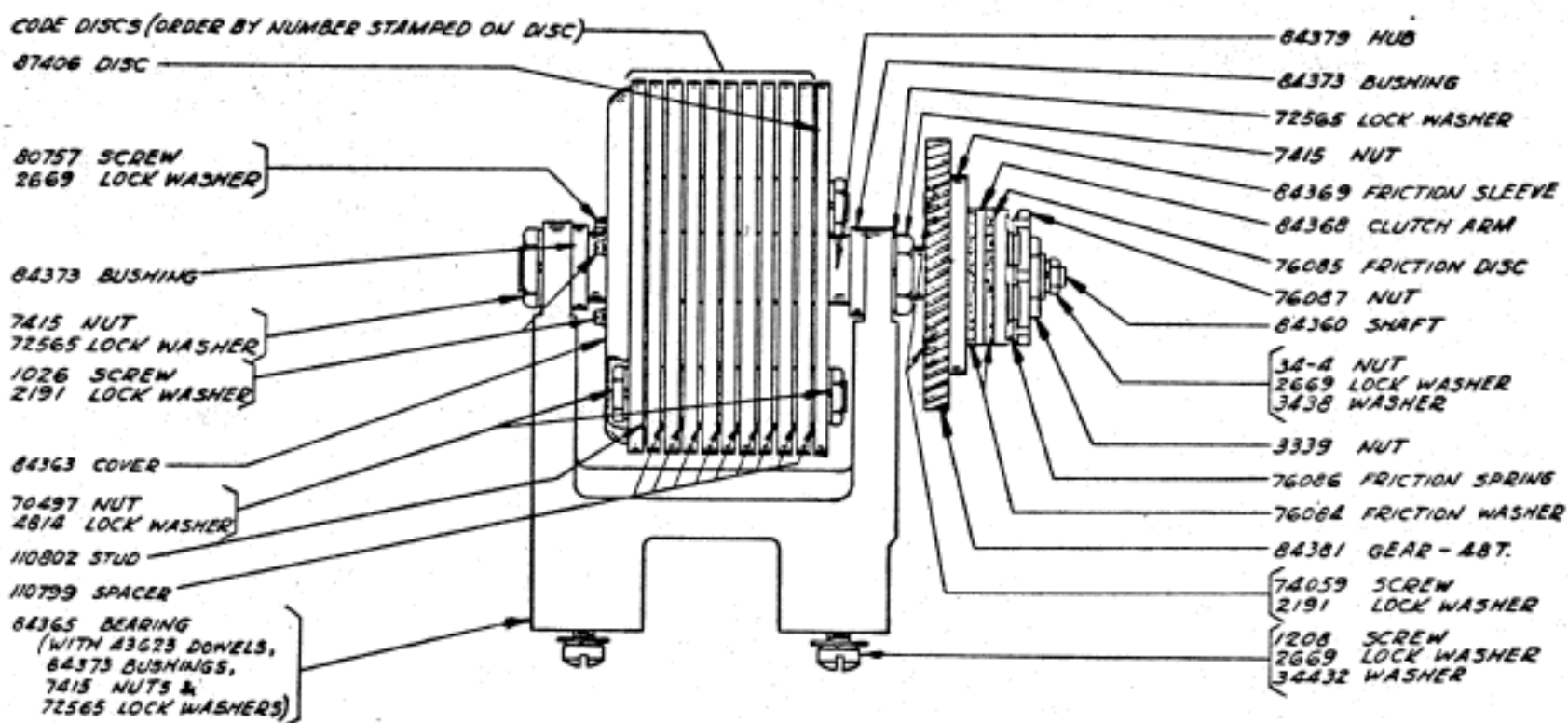


BASE AND BASE PLATE

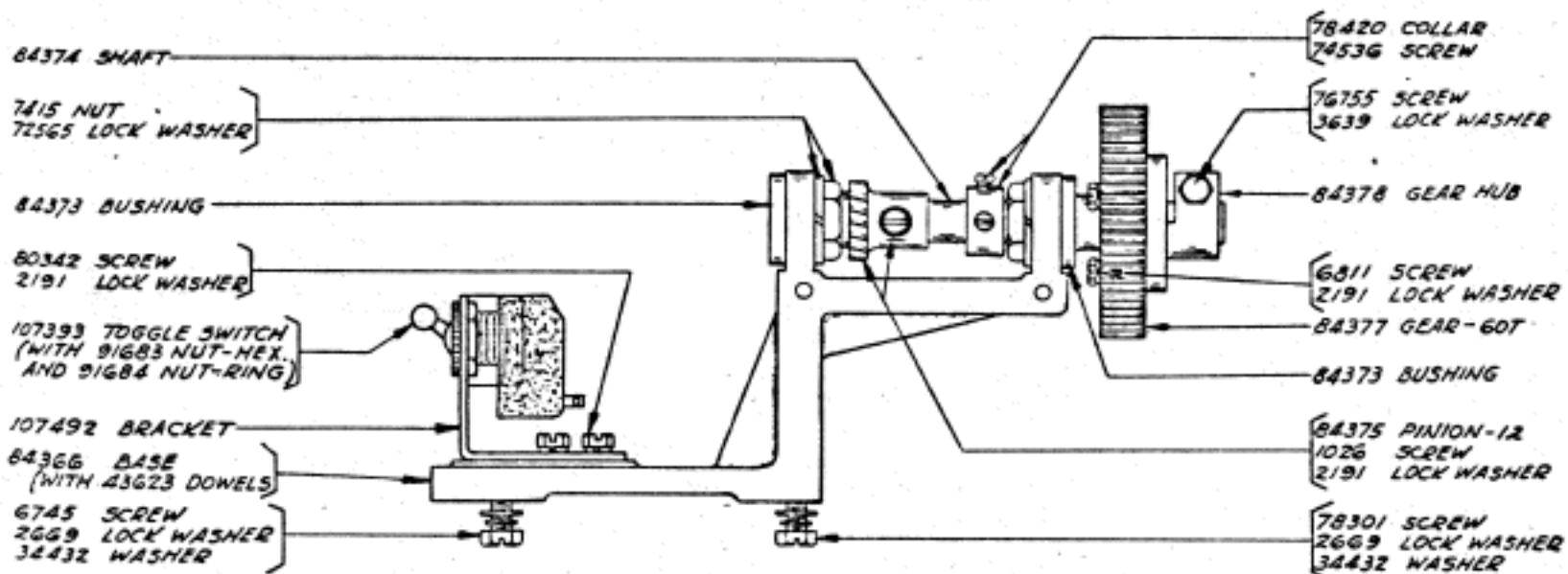
-2-
(B-1123)



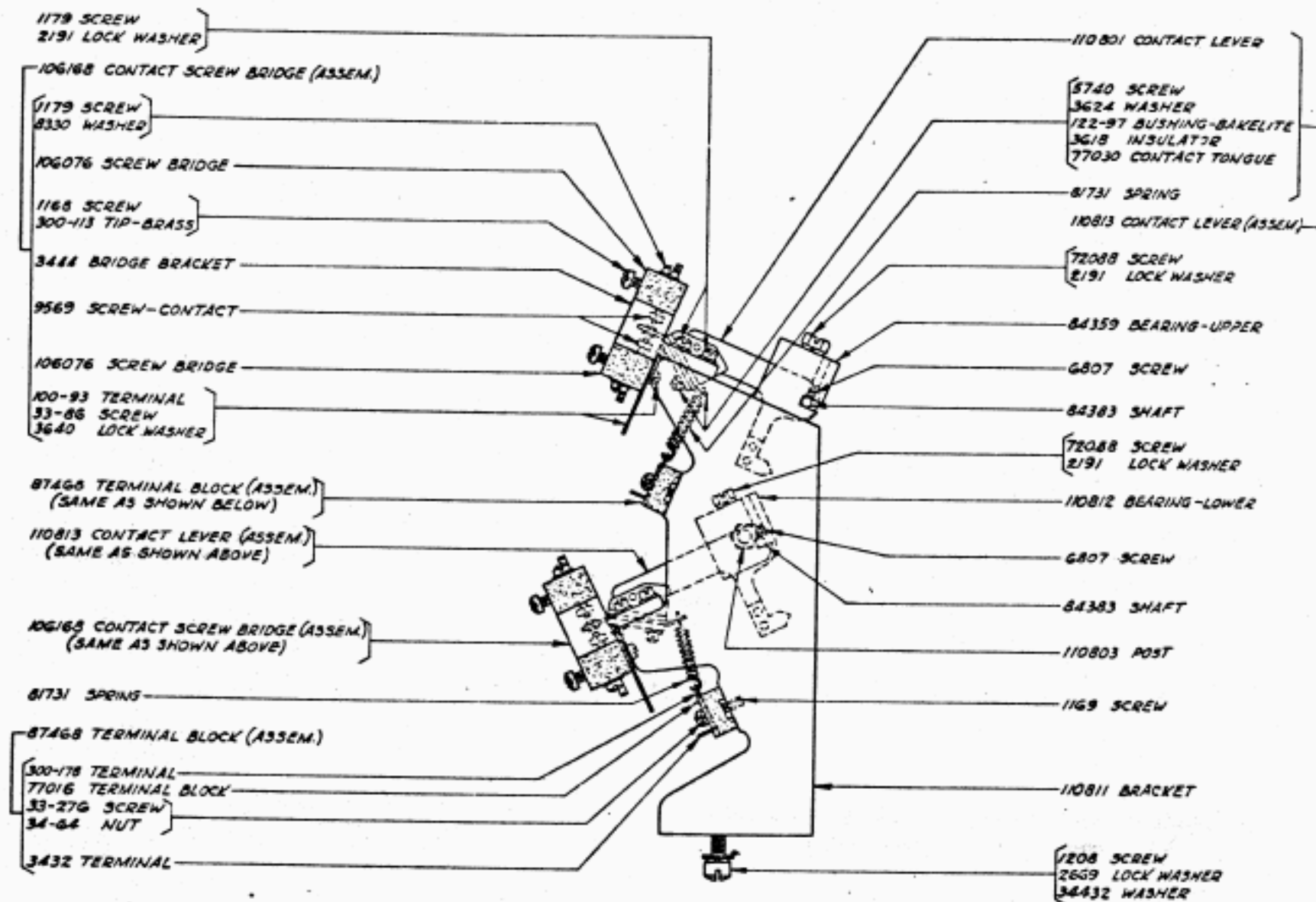
GUARD AND POINTER



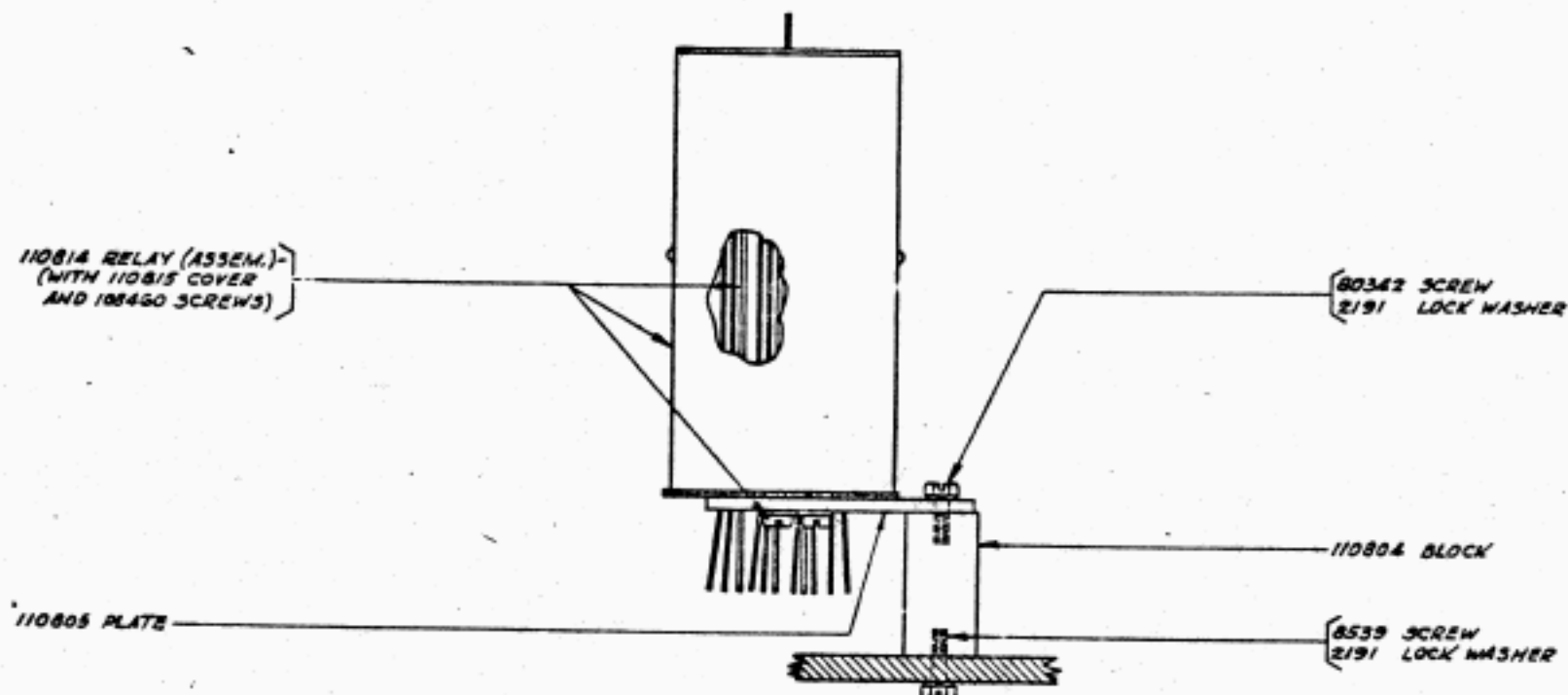
CODE DISC BEARING (ASSEM.)



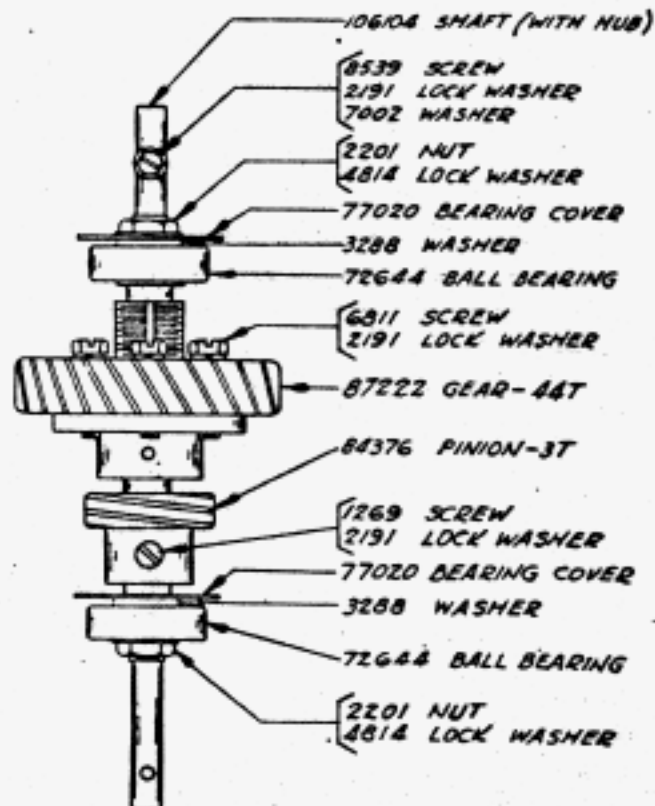
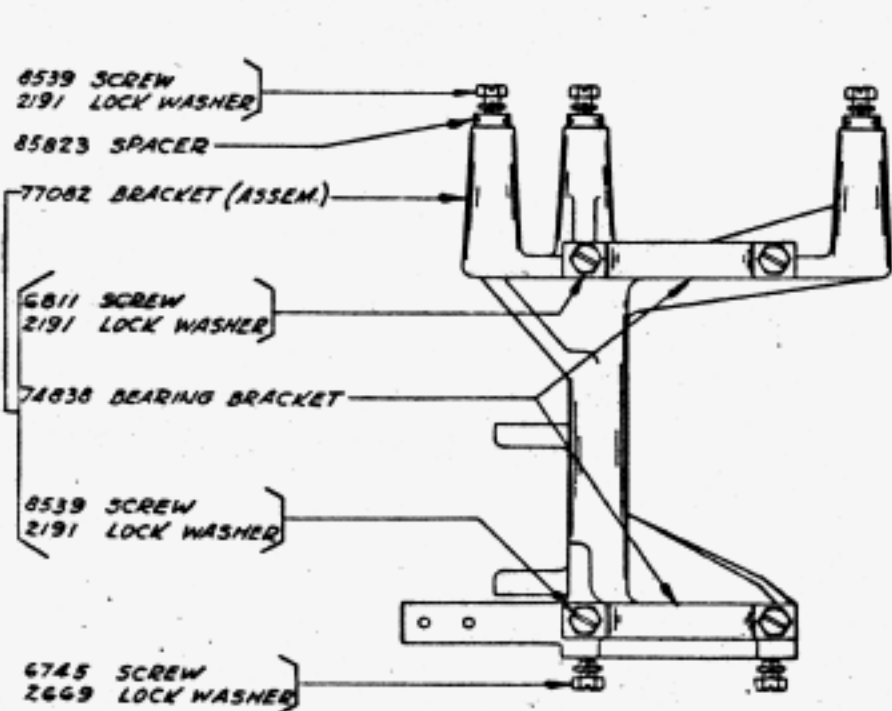
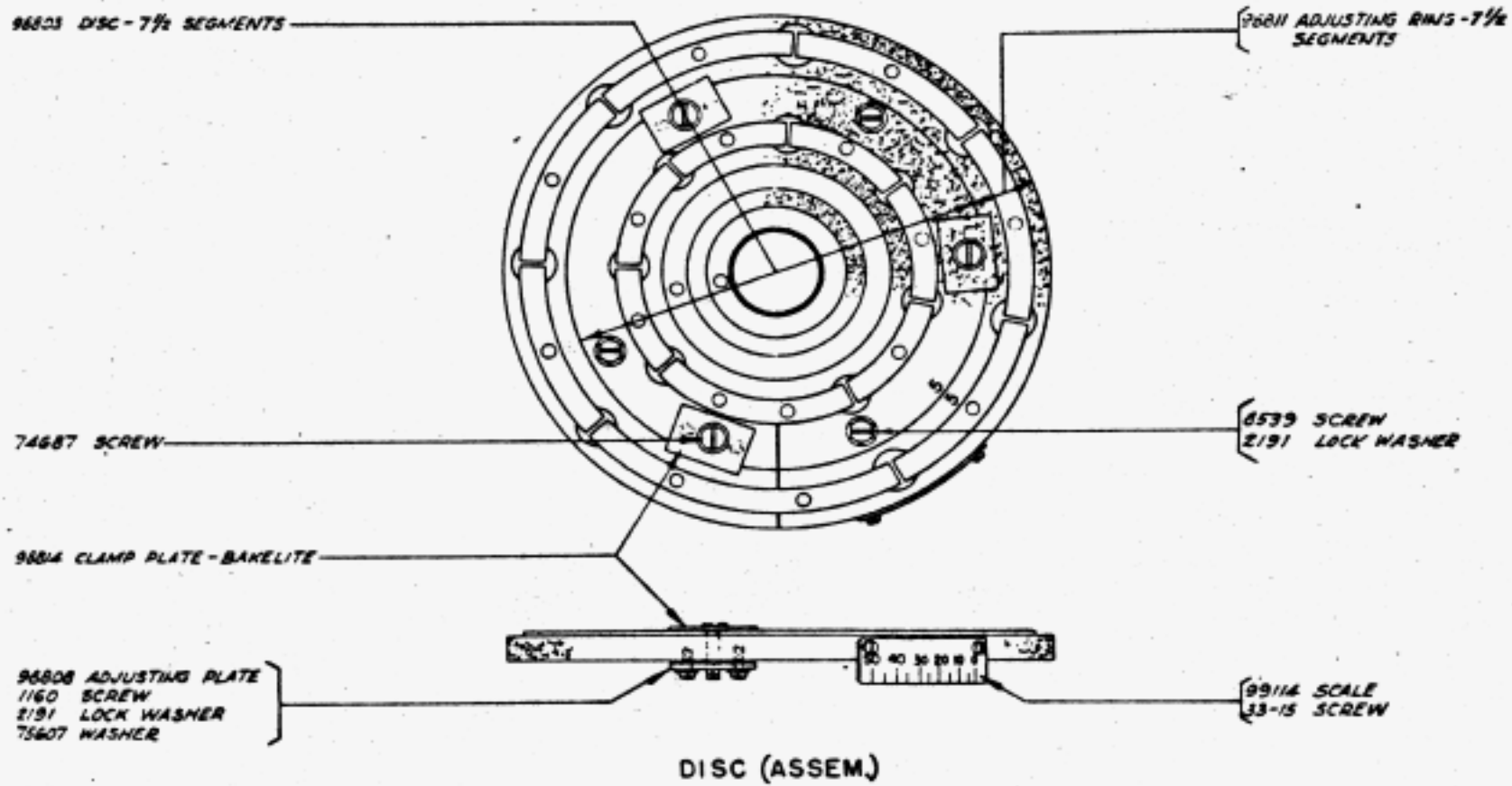
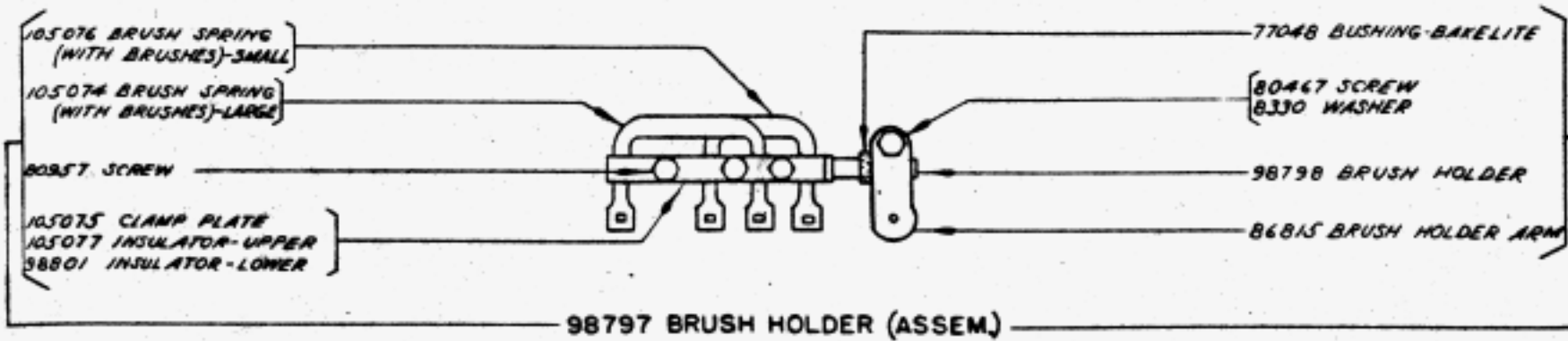
INTERMEDIATE SHAFT (ASSEM.)



CONTACT LEVER BRACKET (ASSEM.)

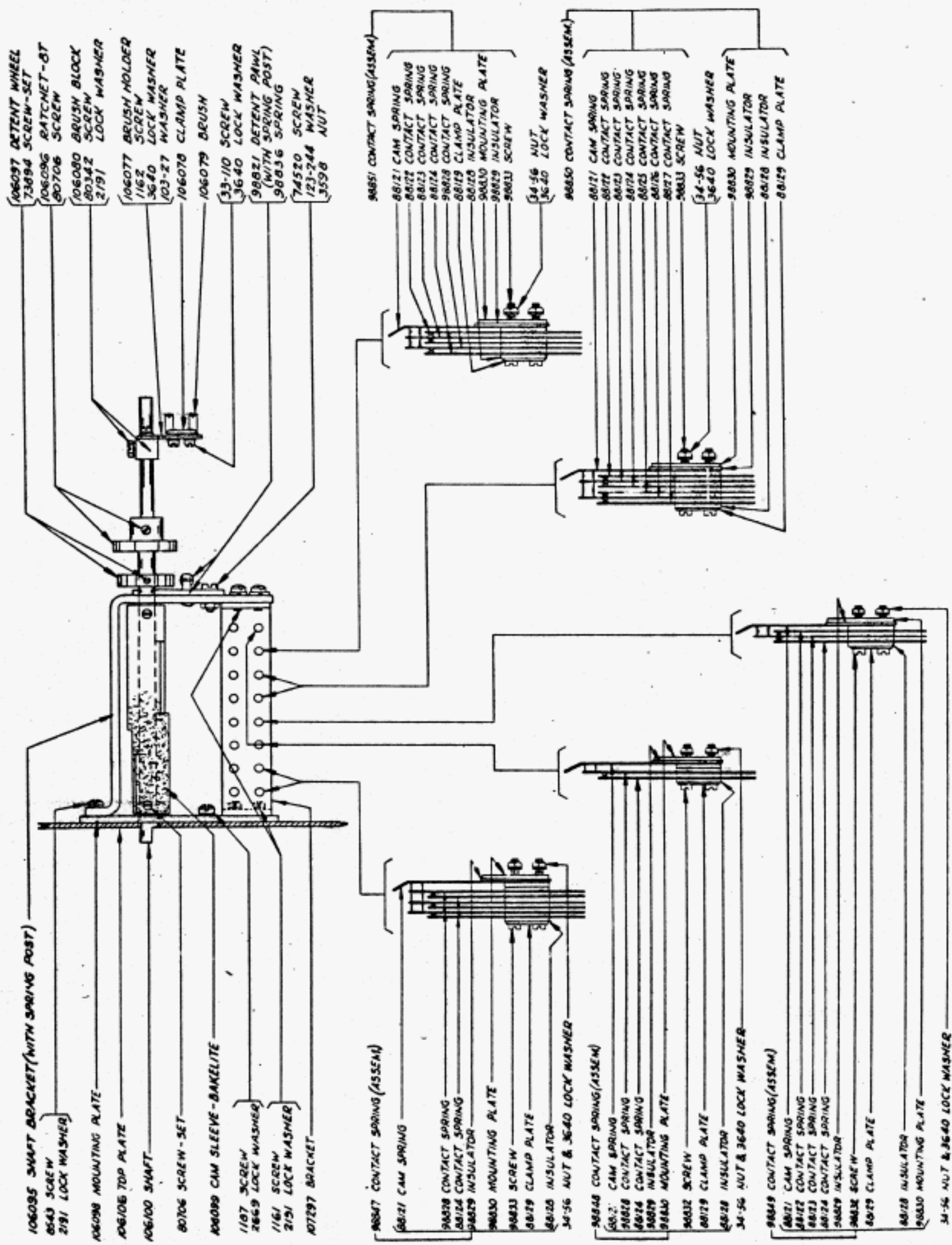


RELAY (ASSEM.)



MAIN SHAFT BRACKET (ASSEM.)

MAIN SHAFT (ASSEM.)



- 106097 DETENT WHEEL
- 73894 SCREW-SET
- 106096 RATCHET-BT
- 80706 SCREW
- 106080 BRUSH BLOCK
- 80342 SCREW
- 2191 LOCK WASHER
- 106077 BRUSH HOLDER
- 1162 SCREW
- 3680 LOCK WASHER
- 103-27 WASHER
- 106070 CLAMP PLATE
- 106079 BRUSH
- 33-110 SCREW
- 3640 LOCK WASHER
- 98831 DETENT PAWL (WITH SPRING POST)
- 98836 SPRING
- 74520 SCREW
- 123-244 WASHER
- 3598 NUT

- 98851 CONTACT SPRING (ASSEM)
- 88121 CAM SPRING
- 88122 CONTACT SPRING
- 88123 CONTACT SPRING
- 88124 CONTACT SPRING
- 98828 CONTACT SPRING
- 88119 CLAMP PLATE
- 88120 INSULATOR
- 98830 MOUNTING PLATE
- 98829 INSULATOR
- 98833 SCREW
- 34-56 NUT
- 3640 LOCK WASHER
- 98850 CONTACT SPRING (ASSEM)

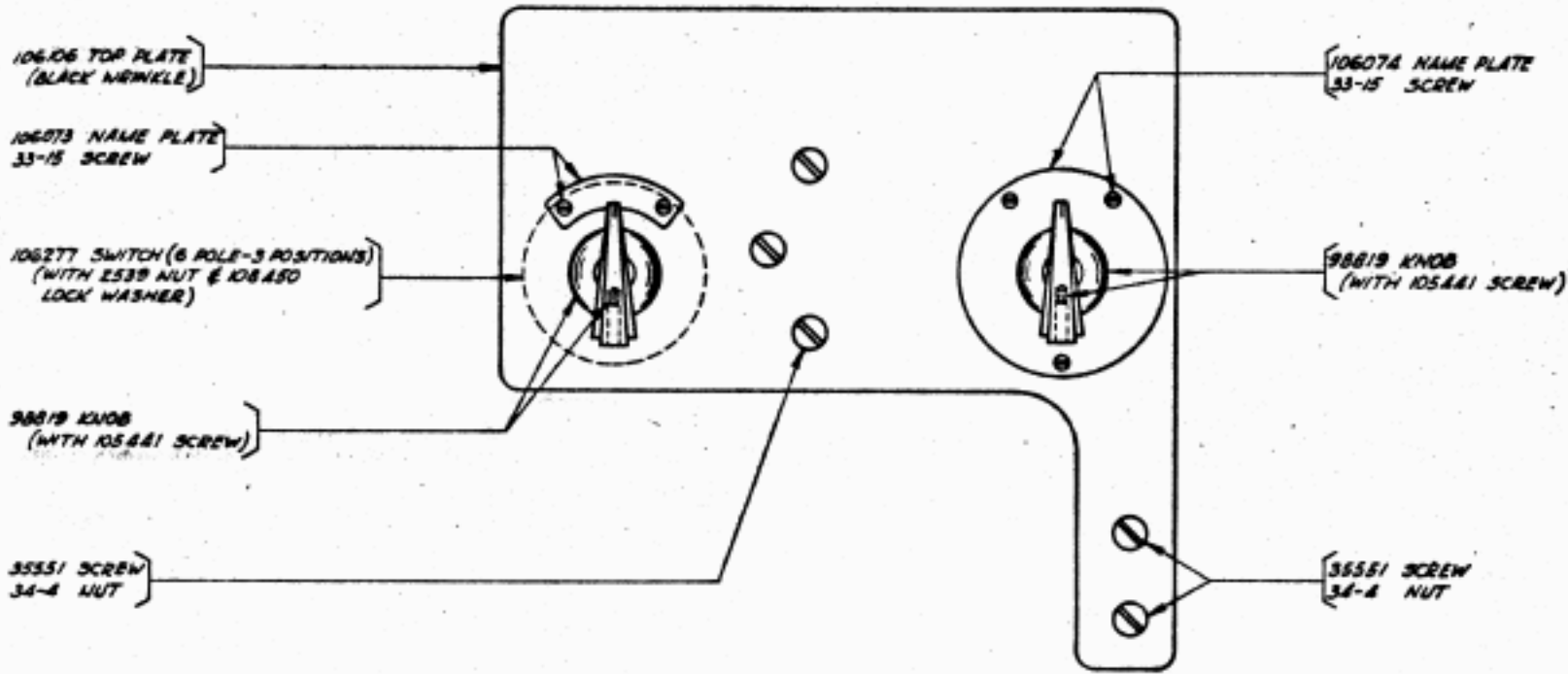
- 88121 CAM SPRING
- 88122 CONTACT SPRING
- 88123 CONTACT SPRING
- 88124 CONTACT SPRING
- 88125 CONTACT SPRING
- 88126 CONTACT SPRING
- 88127 CONTACT SPRING
- 98833 SCREW
- 34-56 NUT
- 3640 LOCK WASHER
- 98830 MOUNTING PLATE
- 98829 INSULATOR
- 88128 INSULATOR
- 88129 CLAMP PLATE

- 106095 SHAFT BRACKET (WITH SPRING POST)
- 8543 SCREW
- 2191 LOCK WASHER
- 106098 MOUNTING PLATE
- 106106 TOP PLATE
- 106100 SHAFT
- 80706 SCREW-SET
- 106099 CAM SLEEVE-BAKELITE
- 1187 SCREW
- 2869 LOCK WASHER
- 1161 SCREW
- 2191 LOCK WASHER
- 80729 BRACKET

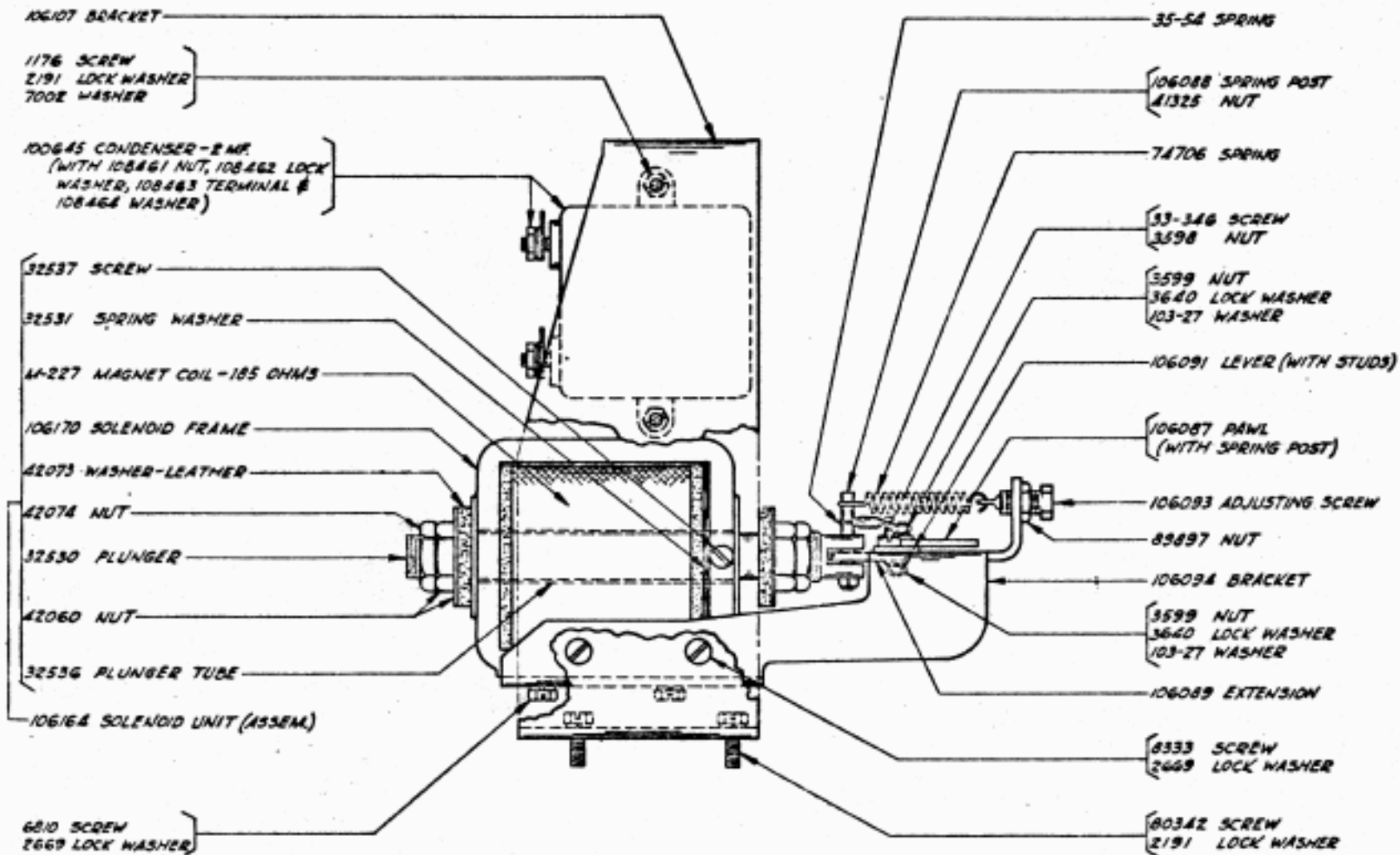
- 98847 CONTACT SPRING (ASSEM)
- 88121 CAM SPRING
- 98828 CONTACT SPRING
- 88124 CONTACT SPRING
- 98829 INSULATOR
- 98830 MOUNTING PLATE
- 98833 SCREW
- 88129 CLAMP PLATE
- 88120 INSULATOR
- 34-56 NUT & 3640 LOCK WASHER

- 98848 CONTACT SPRING (ASSEM)
- 88121 CAM SPRING
- 98828 CONTACT SPRING
- 88124 CONTACT SPRING
- 98829 INSULATOR
- 98830 MOUNTING PLATE
- 98832 SCREW
- 88129 CLAMP PLATE
- 88120 INSULATOR
- 34-56 NUT & 3640 LOCK WASHER
- 98849 CONTACT SPRING (ASSEM)
- 88121 CAM SPRING
- 88122 CONTACT SPRING
- 88123 CONTACT SPRING
- 88124 CONTACT SPRING
- 98829 INSULATOR
- 98832 SCREW
- 88129 CLAMP PLATE
- 88120 INSULATOR
- 98830 MOUNTING PLATE
- 34-56 NUT & 3640 LOCK WASHER

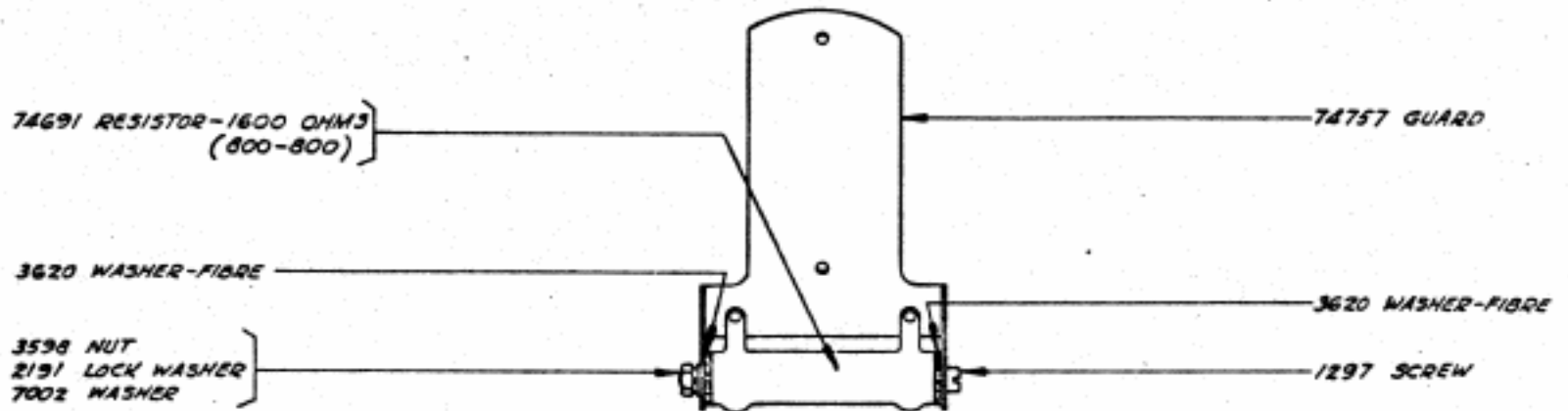
DISTORTION SWITCH (ASSEM)



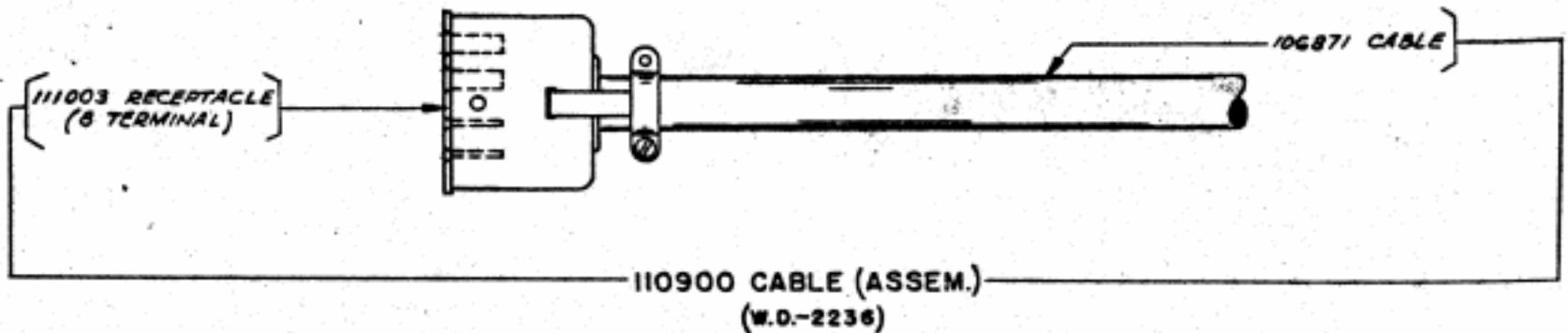
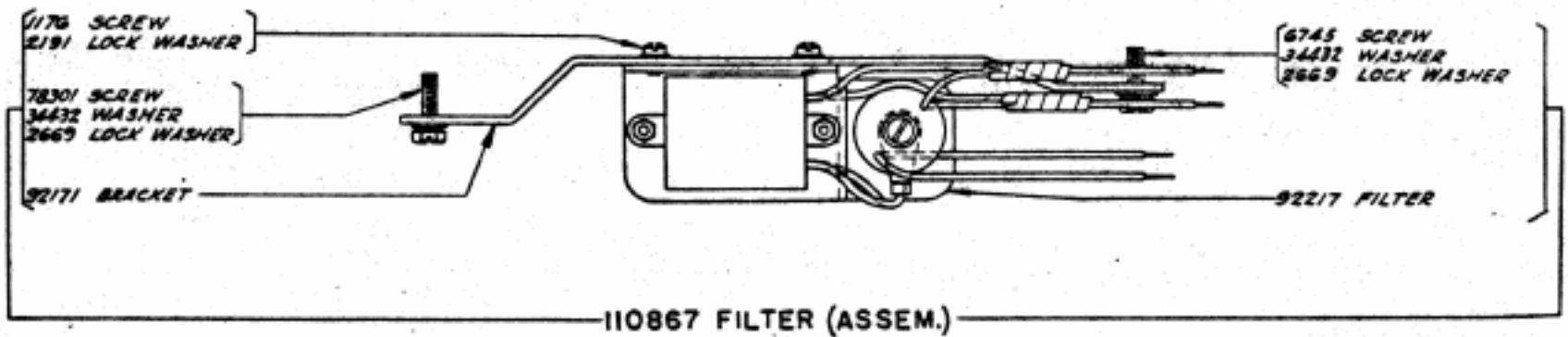
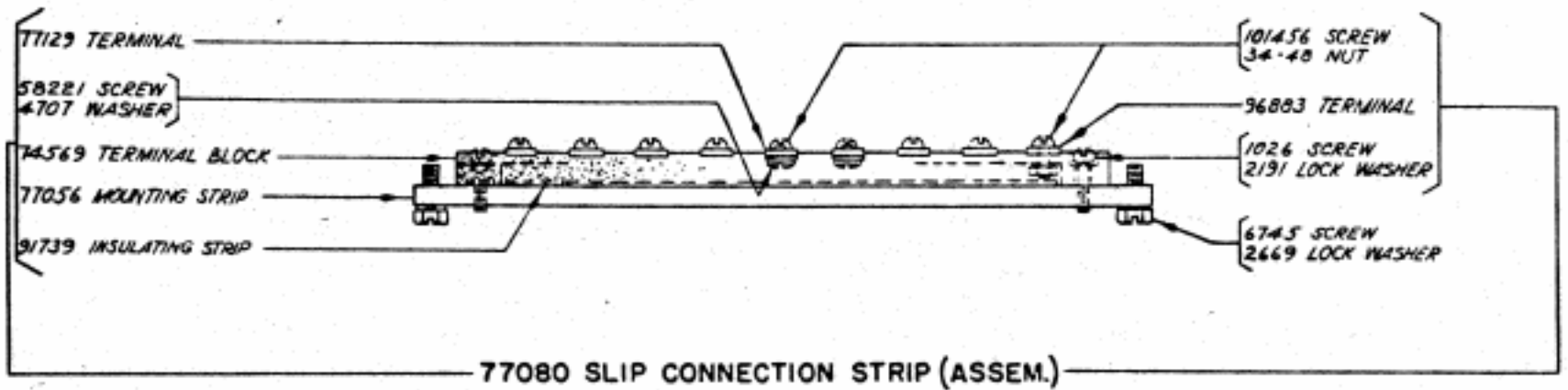
TOP PLATE

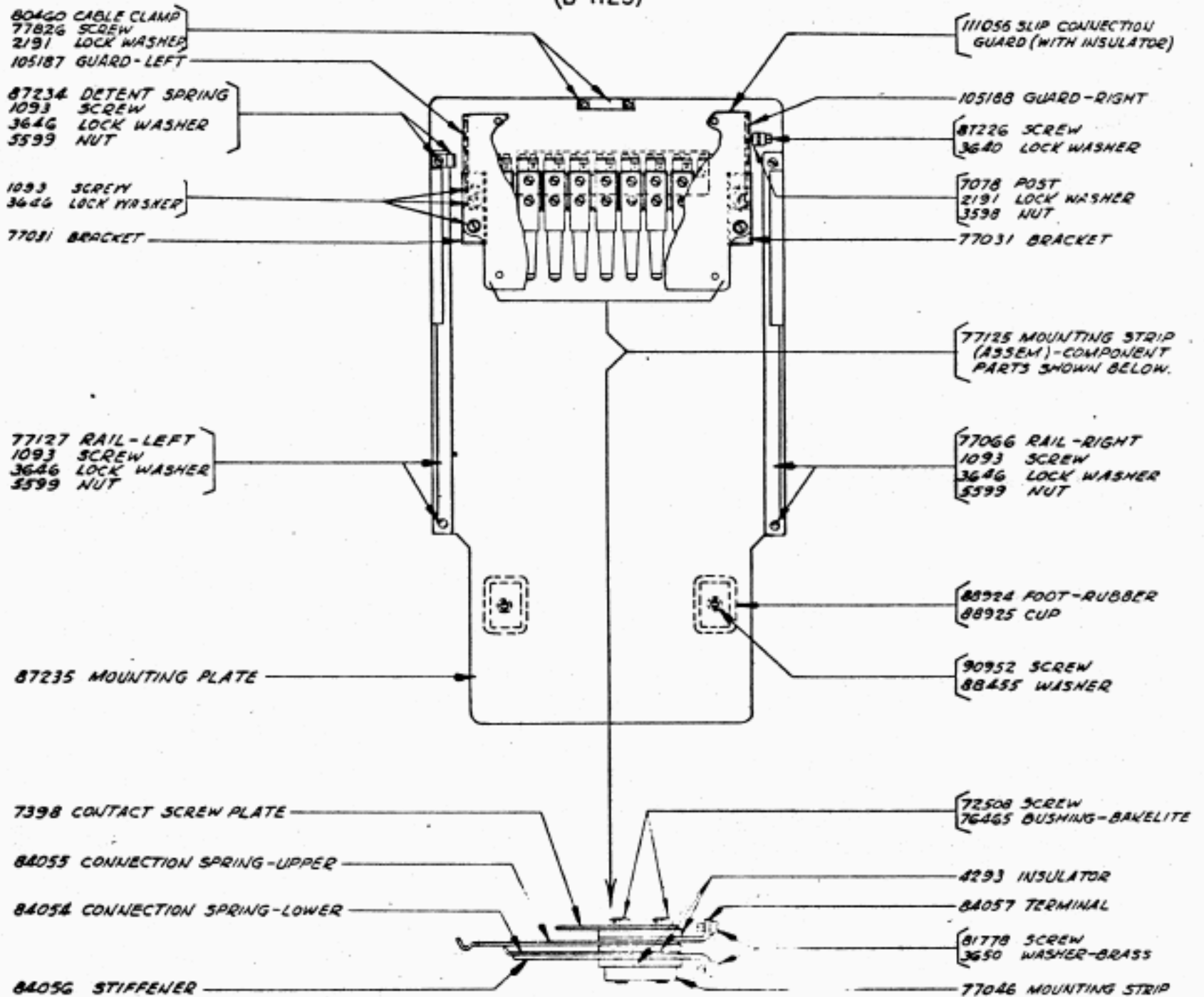


SOLENOID UNIT & CONDENSER (ASSEM.)

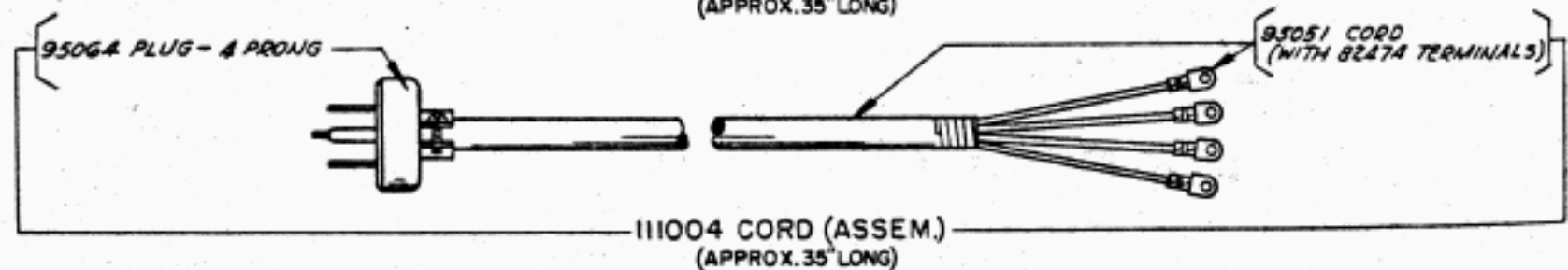
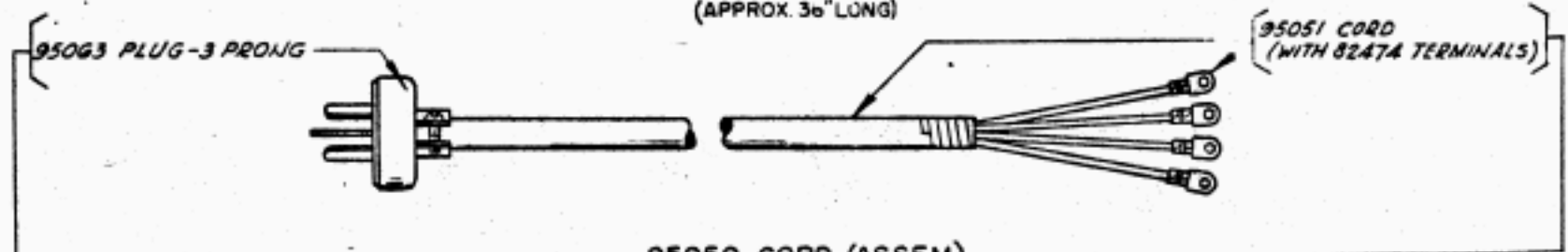
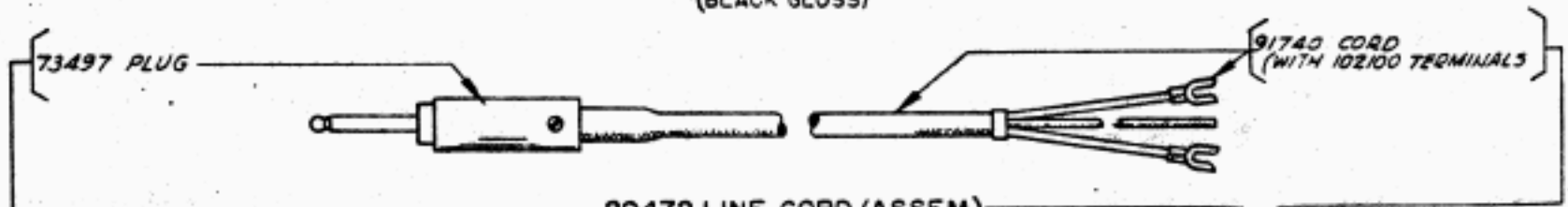


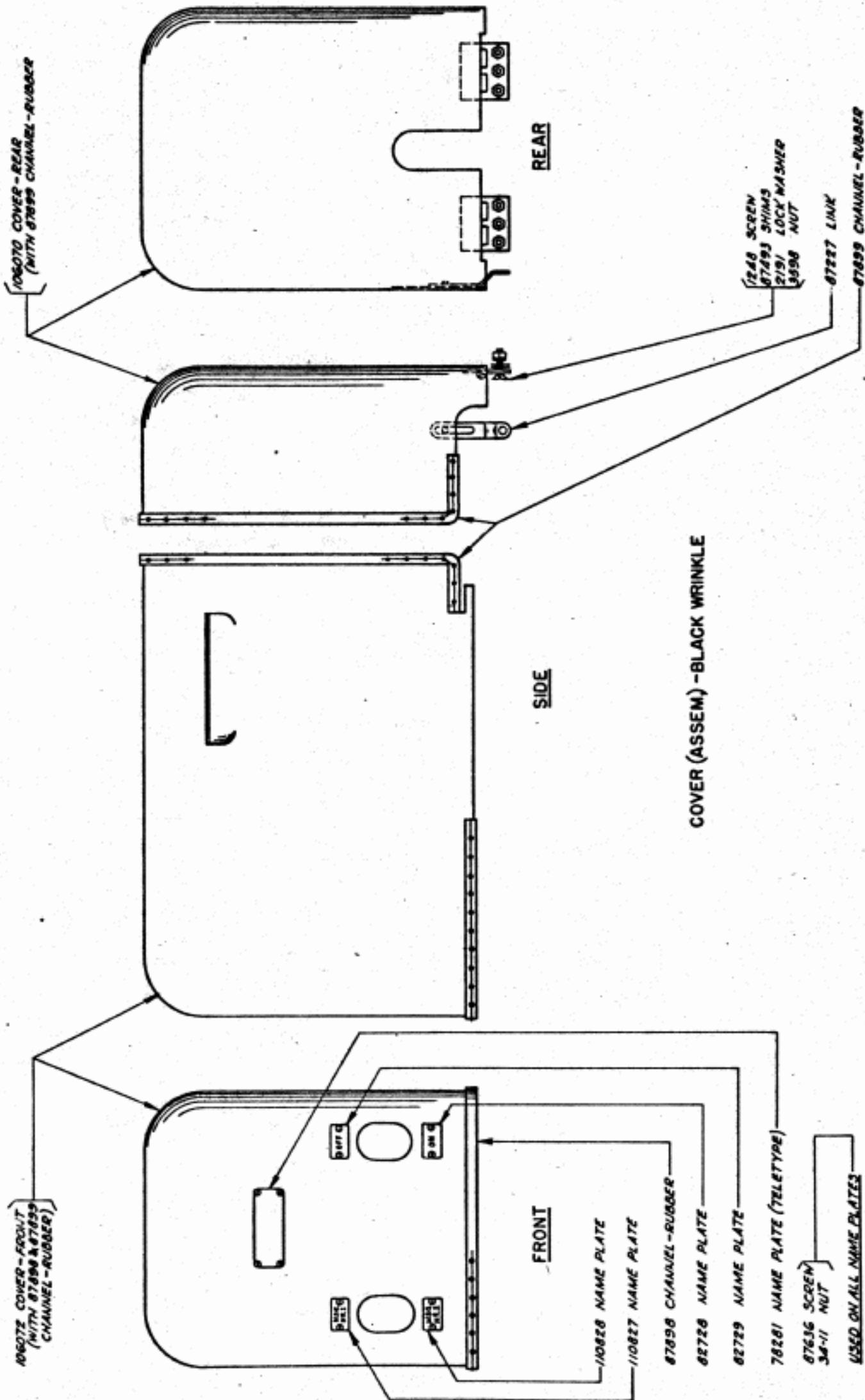
RESISTOR AND GUARD





MOUNTING PLATE (ASSEM.)
(BLACK GLOSS)





NUMERICAL INDEX

M-227	Magnet Coil - 185 Ohms,6	32531	Spring Washer,6	82391	Condenser-LMF.(1/2-1/2),8
33-15	Screw (2-56 x 1/8),4,6	32536	Plunger Tube,6	82440	Screw (6-40 x 7/16),1
33-86	Screw (4-40 x 1/8),3	32537	Screw (8-40 x 1/4),6	82474	Terminal, 8,9
33-110	Screw (4-40 x 3/16),5	34432	washer,2,3,7,8	82728	Name Plate,10
33-276	Screw (3-48 x 5/16),3	35551	Screw (10/32 x 3/8),6	82729	Name Plate,10
33-346	Screw (6-40 Shoulder),6	41325	Nut (5-40 Hex.),6	82839	Rotor (Assem.)- with
34-4	Nut (10-32 Hex.),2,6	42060	Nut (1/2-27 Special),6		Bearings & Switch,8
34-11	Nut (2-56 Hex.),10	42073	washer-Leather,6	82840	Rotor (Assem.),8
34-48	Nut (6-32 Hex.),7	42074	Nut (1/2-27 Hex.),6	82841	Switch Commutator,8
34-56	Nut (4-40 Hex.),5	43623	Dowel,2	82843	Spring,8
34-64	Nut (3-48 Square),3	44041	Spacer,1	82845	washer,8
35-54	Spring,6	58221	Screw (6-32 x 1/4),7	82848	Brush Holder (with brush),8
100-93	Terminal,3	70497	Nut (5/16-32 Hex.),2	82850	End Shield (with 80754
103-27	Washer,5,6	72088	Screw (6-20 x 1-1/16),3		Oiler),8
122-97	Bushing-Bakelite,3	72508	Screw (6-40 x 3/4),9	84054	Connection Spring-Lower,9
122-276	Strap,8	72565	Lock Washer,2	84055	Connection Spring-Upper,9
123-244	Washer,5	72644	Ball Bearing,4	84056	Stiffener,9
300-113	Tip-Brass,3	73497	Plug,9	84057	Terminal,9
300-178	Terminal,3	73894	Screw (6-40 Set),5	84354	Spacer,1
1020	Screw (6-40 x 1/4),2	74059	Screw (6-40 x 7/32),2	84359	Bearing-Upper,3
1026	Screw (6-40 x 3/8),2,7	74520	Screw (6-40 Shoulder),5	84360	Shaft,2
1093	Screw (8-32 x 7/16),9	74536	Screw (6-40 x 5/32),2	84363	Cover,2
1160	Screw (6-40 x 5/16),4	74569	Terminal Block,7	84365	Bearing (with 43623 Dowels,
1161	Screw (6-40 x 1/4),5	74587	Screw (6-40 x 5/8),4		84373 Bushings, 7415
1162	Screw (4-40 x 1/4),5	74691	Resistor-1600 Ohms		Nuts & 72565 Lock Washers),2
1168	Screw (4-40 x 5/16),3		(800-800),7	84366	Base (with 43623
1169	Screw (6-40 x 7/16),3	74706	Spring,6		Dowels),2
1176	Screw (6-40 x 3/16),6,7	74757	Guard,7	84368	Clutch Arm,2
1179	Screw (6-40 x 5/8),3,8	74838	Bearing Bracket,4	84369	Friction Sleeve,2
1187	Screw (10-32 x 1/4),5	74986	Screw (6-40 x 13/32),1	84373	Bushing,2
1208	Screw (10-32 x 5/8),2,3	75607	washer,4	84374	Shaft,2
1248	Screw (6-40 x 1/2),10	76084	Friction Washer,2	84375	Pinion-12T,2
1264	Screw (10-32 x 1/2),1	76085	Friction Disc,2	84376	Pinion-3T,4
1269	Screw (6-40 x 1/2),4	76086	Friction Spring,2	84377	Gear-60T,2
1272	Screw (6-40 x 11/16),1	76087	Nut (9/16-32 Special),2	84378	Gear Hub,2
1297	Screw (6-40 x 2-7/16),7	76465	Bushing-Bakelite,9	84379	Hub,2
2191	Lock Washer, 1 to 10	76484	Fan,8	84381	Gear-48T,2
2201	Nut (5/16-32 Hex.),4	76755	Screw (10-32 x 13/16),2	84383	Shaft,3
2539	Nut (3/8-32 Hex.),6	77016	Terminal Block,3	84759	Guard-Pinion,1
2669	Lock Washer, 2 to 8	77020	Bearing Cover,4	85823	Spacer,4
2846	Washer, 1,8	77030	Contact Tongue,3	86713	Screw (4-48 x 5/16),8
2986	Bushing-Bakelite,8	77031	Bracket,9	86815	Brush Holder Arm,4
3094	Insulator,8	77046	Mounting Strip,9	87213	Base Plate (with
3288	Washer,4	77048	Bushing-Bakelite,4		Insulator),1
3339	Nut (9/16-32 Hex.),2	77056	Mounting Strip,7	87222	Gear-44T,4,8
3432	Terminal,3	77066	Rail-Right,9	87226	Screw (4-40 Pilot),9
3438	Washer,2	77080	Slip Connection Strip	87227	Link,10
3444	Bridge Bracket,3		(Assem.),7	87234	Detent Spring,9
3598	Nut (6-40 Hex.),5,6,7,9,10	77082	Bracket (Assem.),4	87235	Mounting Plate,9
3599	Nut (4-40 Hex.),6	77125	Mounting Strip (Assem.),9	87406	Disc,2
3618	Insulator,3	77127	Rail-Left,9	87468	Terminal Block (Assem.),3
3620	Washer-Fibre,7	77129	Terminal,7	87493	Shims,10
3624	Washer,3	77826	Screw (6-32 x 3/4),9	87636	Screw (2-56 x 3/16),1,10
3628	Outlet Bushing,9	78025	Screw (4-48 x 7/32),8	87898	Channel-Rubber,10
3639	Lock Washer,2	78281	Name Plate (Teletype),10	87899	Channel-Rubber,10
3640	Lock Washer,3,5,6,9	78301	Screw (10-32 x 5/8),2,7,8	88121	Contact Spring (Assem.),5
3646	Lock Washer,9	78420	Collar,2	88122	Contact Spring,5
3650	Washer-Brass,9	80166	Pinion-9T,8	88123	Contact Spring,5
4293	Insulator,9	80299	End Play Spring,8	88124	Contact Spring,5
4707	Washer,7	80309	Washer-Felt,8	88125	Contact Spring,5
4814	Lock Washer,2,4	80310	Washer-Felt,8	88126	Contact Spring,5
5599	Nut (8-32 Hex.),9	80311	washer-Cupped,8	88127	Contact Spring,5
5740	Screw (2-56 x 1/4),3	80312	washer,8	88128	Insulator,5
5905	Post,1	80313	washer,8	88129	Clamp Plate,5
6035	Screw (1/4-20 x 5/8),1,8	80342	Screw (6-40 x 23/64),2,3,	88455	washer,9
6745	Screw (10-32 x 1/2),2,4,7,8		5,6	88802	Screw (6-32 x 1-1/16),8
6746	Screw (6-40 x 5/16),8	80354	Spacer,8	88879	Brush Holder Support
6807	Screw (6-40 Set),3	80358	Ball Bearing,8		(Assem.),8
6810	Screw (10-32 x 3/8),6	80460	Cable Clamp,9	88924	Foot-Rubber,9
6811	Screw (6-40 x 5/8),2,4	80467	Screw (6-40 x 3/8),4	88925	Cup,9
7002	Washer,1,4,6,7	80558	End Shield (with 80754	89405	Bushing,8
7078	Post,9		Oiler),8	89406	Washer-Spring,8
7398	Contact Screw Plate,9	80706	Screw (6-40 x 3/16),5	89407	Cotter Pin,8
7415	Nut (1/2-32 Hex.),2	80754	Oiler,8	89472	Line Cord (Assem.),9
8330	Washer,2,3,4	80757	Screw (10-32 x 1/2),2	89897	Nut (10-32 Hex.),6
8333	Screw (10-32 x 3/8),6	80957	Screw (4-40 x 1/4),4	90263	Wound Stator (with Base),8
8539	Screw (6-40 x 1/2),1,3,4	81731	Spring,3	90952	Screw (1/4-20 Shoulder),9
8543	Screw (6-40 x 1/4),2,5	81778	Screw (4-40 x 3/16),9	91683	Nut (15/32-32 Hex.),1,2
9569	Screw (3-56 Contact),3	82283	Synchronous Motor, 1/40	91684	Nut (15/32-32 Ring),1,2
32530	Plunger,6		H.P., 110V., 60 Cycle,A.C.	91739	Insulating Strip,7
			(G.2,Model 5SH25AB112),8		

NUMERICAL INDEX

91740	Cord (with 102100 Terminals), 9	102100	Terminal, 9	106104	Shaft (with Hub), 4
91755	Toggle Switch (with 91683 Nut-Hex. & 91684 Nut-Ring), 1	102774	Bolt (8-36 x 4-3/8), 8	106105	Bracket, 8
91990	Cord, 9	103431	Grommet-Rubber, 8	106106	Top Plate (Black Wrinkle), 5, 6
92171	Bracket, 7	105074	Brush Spring (with Brushes)-Large, 4	106107	Bracket, 6
92217	Filter, 7	105075	Clamp Plate, 4	106164	Solenoid Unit (Assem.), 6
94248	Cable Clamp, 1	105076	Brush Spring (with Brushes)-Small, 4	106168	Contact Screw Bridge (Assem.), 3
94707	Insulator, 8	105077	Insulator-Upper, 4	106170	Solenoid Frame, 6
95050	Cord (Assem.), 9	105187	Guard-Left, 9	106277	Switch (6 Pole-3 Positions) (with 2539 Nut and 108450 Lock Washer), 6
95051	Cord (with 82474 Terminals), 9	105188	Guard-Right, 9		
95063	Plug-3 Prong, 9	105441	Screw (8-32 x 7/16 Set), 6	106306	Cable-Line, 1
95064	Plug-4 Prong, 9	106070	Cover-Rear (with 87899 Channel-Rubber), 10	106871	Cable, 7
96883	Terminal, 7	106072	Cover-Front (with 87898 and 87899 Channel- Rubber), 10	106873	Cable-Control, 1
98797	Brush Holder (Assem.), 4	106073	Name Plate, 6	107297	Bracket, 5
98798	Brush Holder, 4	106074	Name Plate, 6	107393	Toggle Switch (with 91683 Nut-Hex. and 91684 Nut-Ring), 2
98801	Insulator-Lower, 4	106076	Screw Bridge, 3		
98803	Disc 7-1/2 Segments, 4	106077	Brush Holder, 5	107492	Bracket, 2
98808	Adjusting Plate, 4	106078	Clamp Plate, 5	108450	Lock Washer, 6
98811	Adjusting Ring 7-1/2 Segments, 4	106079	Brush, 5	108460	Screw (6-32 x 13/32), 3
98814	Clamp Plate-Bakelite, 4	106080	Brush Block, 5	108461	Nut (6-32 Hex.), 6
98816	Name Plate, 1	106081	Bushing-Bakelite, 1	108462	Lock Washer, 6
98819	Knob (with 105441 Screw), 6	106082	Bracket, 1	108463	Terminal, 6
98821	Detent Pawl (with Spring Post), 5	106085	Switch Block (with Terminals), 1	108464	Washer, 6
98828	Contact Spring, 5	106087	Pawl (with Spring Post), 6	110799	Spacer, 2
98829	Insulator, 5	106088	Spring Post, 6	110801	Contact Lever, 3
98830	Mounting Plate, 5	106089	Extension, 6	110802	Stud, 2
98832	Screw (4-40 x 11/16), 5	106091	Lever (with Stud), 6	110803	Post, 3
98833	Screw (4-40 x 31/32), 5	106093	Adjusting Screw, 6	110804	Block, 1, 3
98836	Spring, 5	106094	Bracket, 6	110805	Plate, 3
98847	Contact Spring (Assem.), 5	106095	Shaft Bracket (with Spring Post), 5	110811	Bracket, 3
98848	Contact Spring (Assem.), 5	106096	Ratchet-8T, 5	110812	Bearing-Lower, 3
98849	Contact Spring (Assem.), 5	106097	Detent Wheel, 5	110813	Contact Lever (Assem.), 3
98850	Contact Spring (Assem.), 5	106098	Mounting Plate, 5	110814	Relay (Assem.) (with 110815 Cover and 110460 Screws), 3
98851	Contact Spring (Assem.), 5	106099	Cam Sleeve-Bakelite, 5		
99113	Pointer, 2	106100	Shaft, 5	110815	Cover, 3
99114	Scale, 4	106101	Base-Black Gloss, 1	110827	Name Plate, 10
100645	Condenser-2MF (with 108461 Nut, 108462 Lock Washer, 108463 Terminal & 108464 Washer), 6	106102	Bracket, 1	110828	Name Plate, 10
101455	Screw (6-32 x 9/32), 7	106103	Guard, 2	110866	Motor Unit (Assem.) (Motor Arrangement "GT"), 8
101955	Flue, 9			110867	Filter (Assem.), 7
				110900	Cable (Assem.), 7
				111003	Receptacle-8 Terminals, 7
				111004	Cord (Assem.), 9
				111056	Slip Connection Guard (with Insulator), 9

NUMERICAL INDEX

91740	Cord (with 102100 Terminals), 9	102100	Terminal, 9	106104	Shaft (with Hub), 4
91755	Toggle Switch (with 91683 Nut-Hex. & 91684 Nut-Ring), 1	102774	Bolt (8-36 x 4-3/8), 8	106105	Bracket, 8
91990	Cord, 9	103431	Grommet-Rubber, 8	106106	Top Plate (Black Wrinkle), 5, 6
92171	Bracket, 7	105074	Brush Spring (with Brushes)-Large, 4	106107	Bracket, 6
92217	Filter, 7	105075	Clamp Plate, 4	106164	Solenoid Unit (Assem.), 6
94248	Cable Clamp, 1	105076	Brush Spring (with Brushes)-Small, 4	106168	Contact Screw Bridge (Assem.), 3
94707	Insulator, 8	105077	Insulator-Upper, 4	106170	Solenoid Frame, 6
95050	Cord (Assem.), 9	105187	Guard-Left, 9	106277	Switch (6 Pole-3 Positions) (with 2539 Nut and 108450 Lock Washer), 6
95051	Cord (with 82474 Terminals), 9	105188	Guard-Right, 9	106306	Cable-Line, 1
95063	Plug-3 Prong, 9	105441	Screw (8-32 x 7/16 Set), 6	106871	Cable, 7
95064	Plug-4 Prong, 9	106070	Cover-Rear (with 87899 Channel-Rubber), 10	106873	Cable-Control, 1
96883	Terminal, 7	106072	Cover-Front (with 87898 and 87899 Channel-Rubber), 10	107297	Bracket, 5
98797	Brush Holder (Assem.), 4	106073	Name Plate, 6	107393	Toggle Switch (with 91683 Nut-Hex. and 91684 Nut-Ring), 2
98798	Brush Holder, 4	106074	Name Plate, 6	107492	Bracket, 2
98801	Insulator-Lower, 4	106076	Screw Bridge, 3	108450	Lock Washer, 6
98803	Disc 7-1/2 Segments, 4	106077	Brush Holder, 5	108460	Screw (6-32 x 13/32), 3
98808	Adjusting Plate, 4	106078	Clamp Plate, 5	108461	Nut (6-32 Hex.), 6
98811	Adjusting Ring 7-1/2 Segments, 4	106079	Brush, 5	108462	Lock Washer, 6
98814	Clamp Plate-Bakelite, 4	106080	Brush Block, 5	108463	Terminal, 6
98816	Name Plate, 1	106081	Bushing-Bakelite, 1	108464	Washer, 6
98819	Knob (with 105441 Screw), 6	106082	Bracket, 1	110799	Spacer, 2
98821	Detent Pawl (with Spring Post), 5	106085	Switch Block (with Terminals), 1	110801	Contact Lever, 3
98828	Contact Spring, 5	106087	Pawl (with Spring Post), 6	110802	Stud, 2
98829	Insulator, 5	106088	Spring Post, 6	110803	Post, 3
98830	Mounting Plate, 5	106089	Extension, 6	110804	Block, 1, 3
98832	Screw (4-40 x 11/16), 5	106091	Lever (with Stud), 6	110805	Plate, 3
98833	Screw (4-40 x 31/32), 5	106093	Adjusting Screw, 6	110811	Bracket, 3
98836	Spring, 5	106094	Bracket, 6	110812	Bearing-Lower, 3
98847	Contact Spring (Assem.), 5	106095	Shaft Bracket (with Spring Post), 5	110813	Contact Lever (Assem.), 3
98848	Contact Spring (Assem.), 5	106096	Ratchet-ST, 5	110814	Relay (Assem.) (with 110815 Cover and 110460 Screws), 3
98849	Contact Spring (Assem.), 5	106097	Detent Wheel, 5	110815	Cover, 3
98850	Contact Spring (Assem.), 5	106098	Mounting Plate, 5	110827	Name Plate, 10
98851	Contact Spring (Assem.), 5	106099	Cam Sleeve-Bakelite, 5	110828	Name Plate, 10
99113	Pointer, 2	106100	Shaft, 5	110866	Motor Unit (Assem.) (Motor Arrangement "GT"), 8
99114	Scale, 4	106101	Base-Black Gloss, 1	110867	Filter (Assem.), 7
100645	Condenser-2MF (with 108461 Nut, 108462 Lock Washer, 108463 Terminal & 108464 Washer), 6	106102	Bracket, 1	110900	Cable (Assem.), 7
101455	Screw (6-32 x 9/32), 7	106103	Guard, 2	111003	Receptacle-8 Terminals, 7
101965	Flur, 9			111004	Cord (Assem.), 9
				111056	Slip Connection Guard (with Insulator), 9