

820- 8/29/56

Bulletin No. 1052
Issue 1
January, 1936

TELETYPE

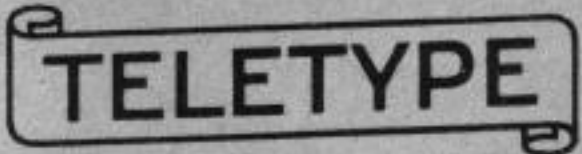
PRINTING TELEGRAPH SYSTEMS

Non Bell

PARTS

SIX UNIT PERFORATOR

not TTSR



CORPORATION

SUBSIDIARY OF

Western Electric Company

CHICAGO, U.S.A.

Teletype Corporation
Chicago, Illinois, U.S.A.

LJC- 8/29/56

789EE
Issue 3
July, 1956

CHANGES AND ADDITIONS
TO THE FOLLOWING PARTS BULLETIN

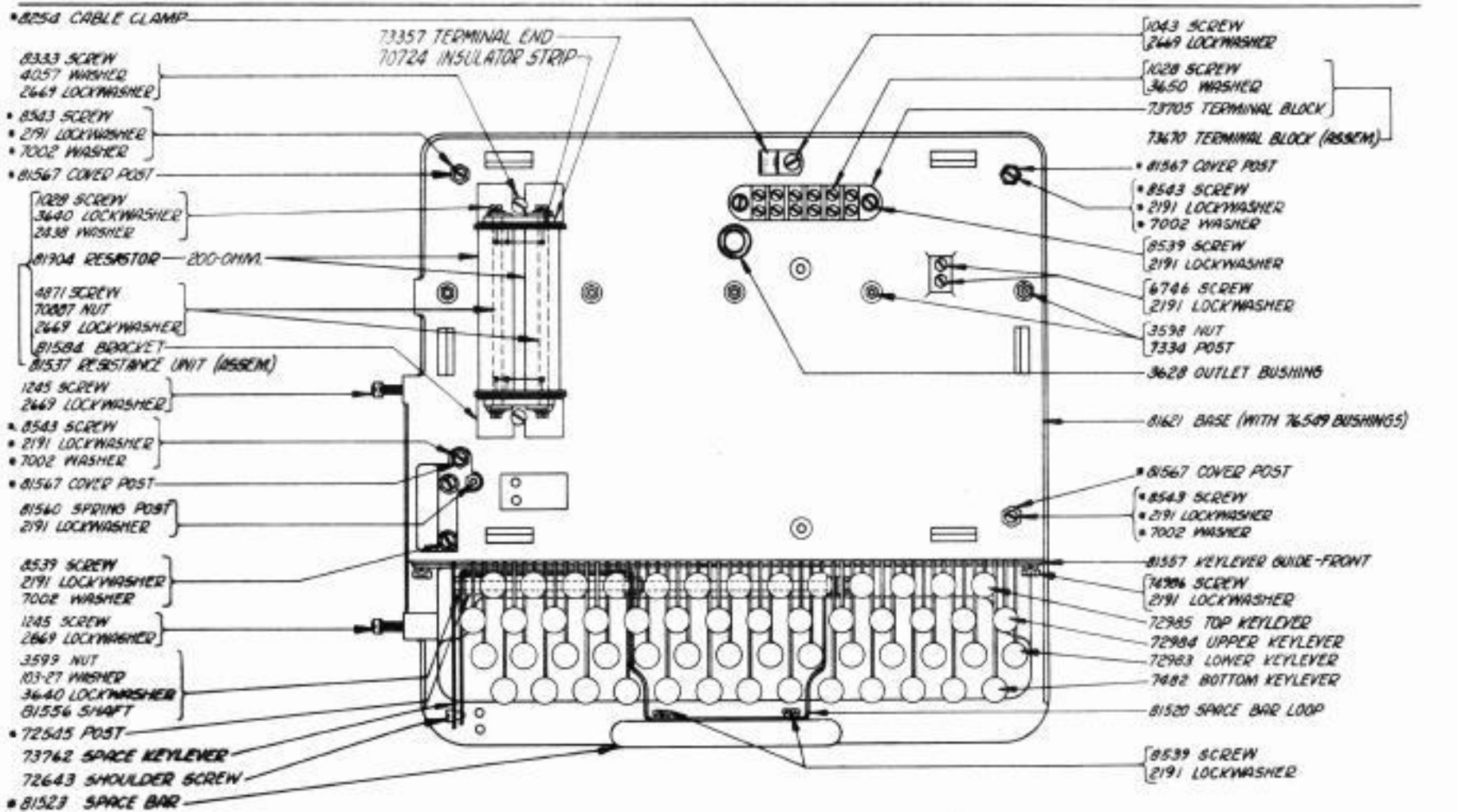
BULLETIN NO. 1080B, ISSUE 1, PAGE 5
BULLETIN NO. 1064B, ISSUE 2, (BELL) PAGE 5
SINGLE MAGNET REPERFORATOR (RPE)
(MODELS 14 AND 20 NON-TYPING)
BULLETIN NO. 1052B, ISSUE 1, PAGES 2 AND 3
(SIX-UNIT PERFORATOR (MPE))

To provide a means for identifying the beginning or the end of a fully perforated six-unit tape the 81603 tape knife has been replaced by a 123581 tape knife. The 123581 tape knife cuts a triangular notch which produces a small flag on the trailing edge of the tape as it is torn off, and a corresponding notch on the leading edge.

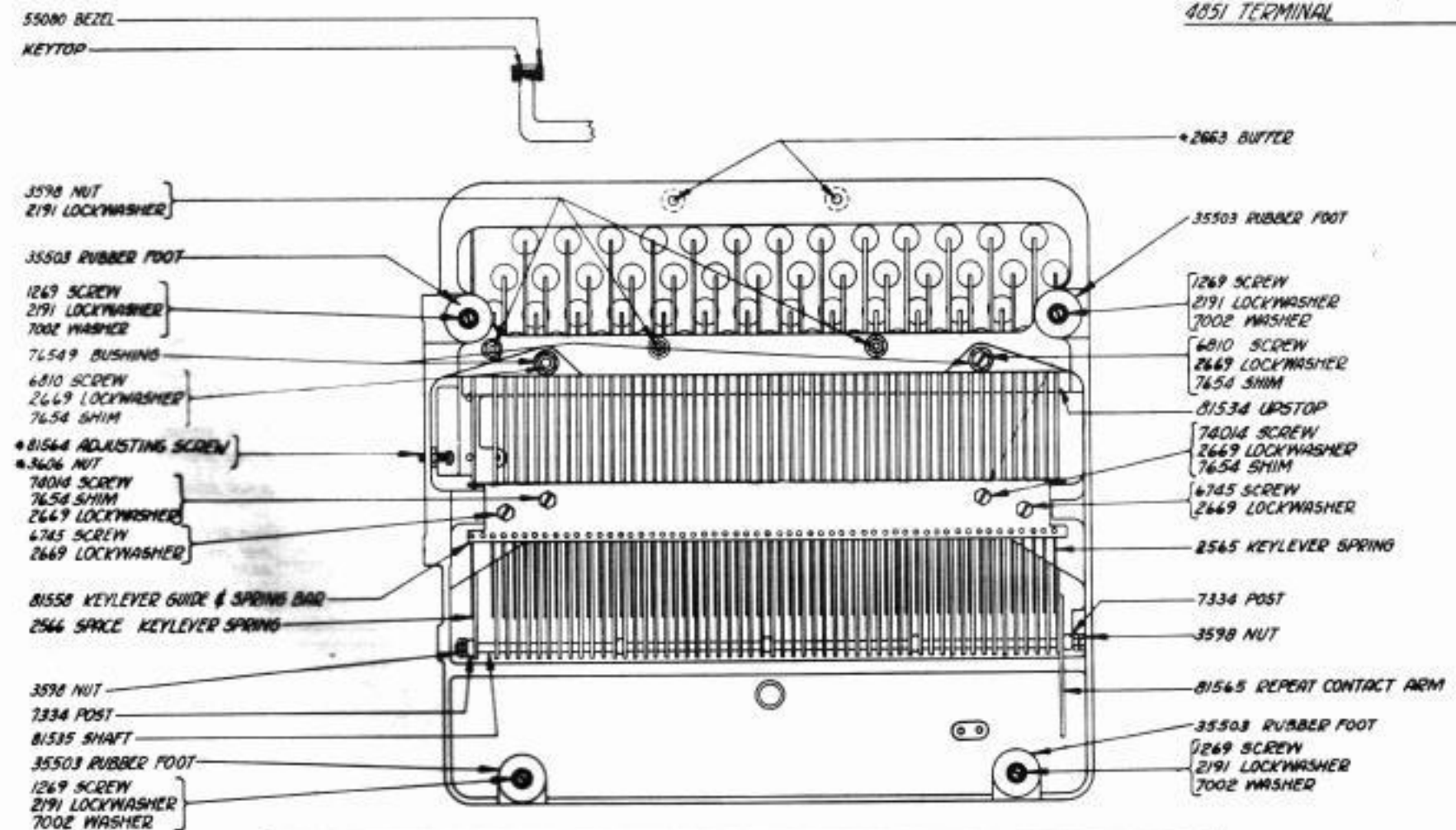
NOTE: Part No. 87603 referred to in Bulletin No. 1064B is in error. This number should be 81603.

* * *





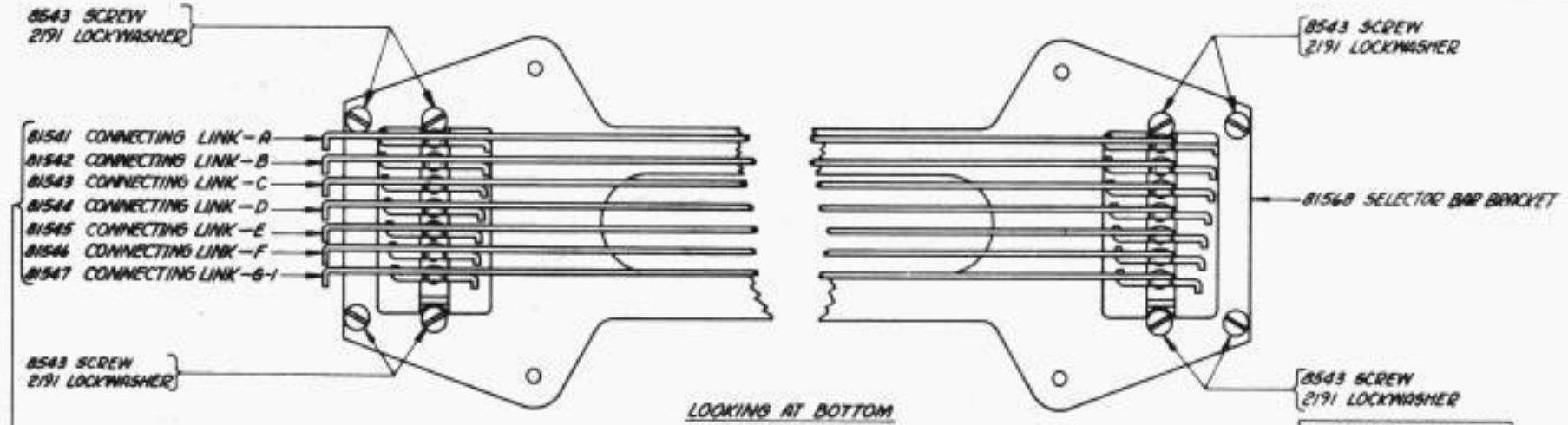
81632 KEYBOARD CABLE (W.D. *1362)
4851 TERMINAL



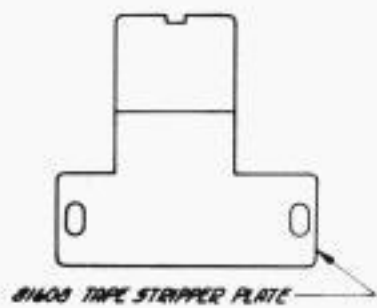
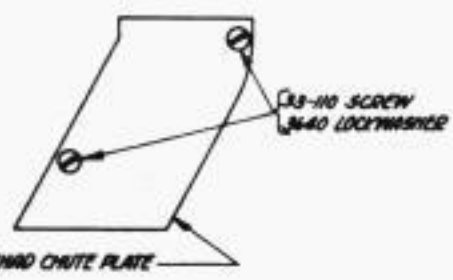
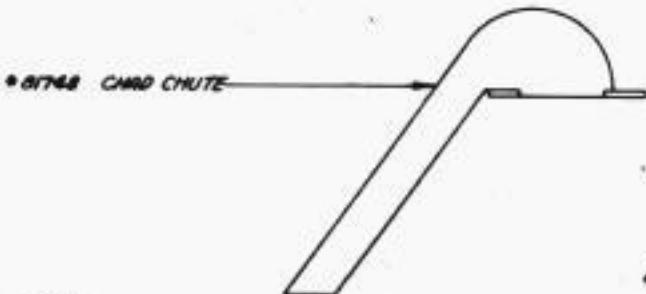
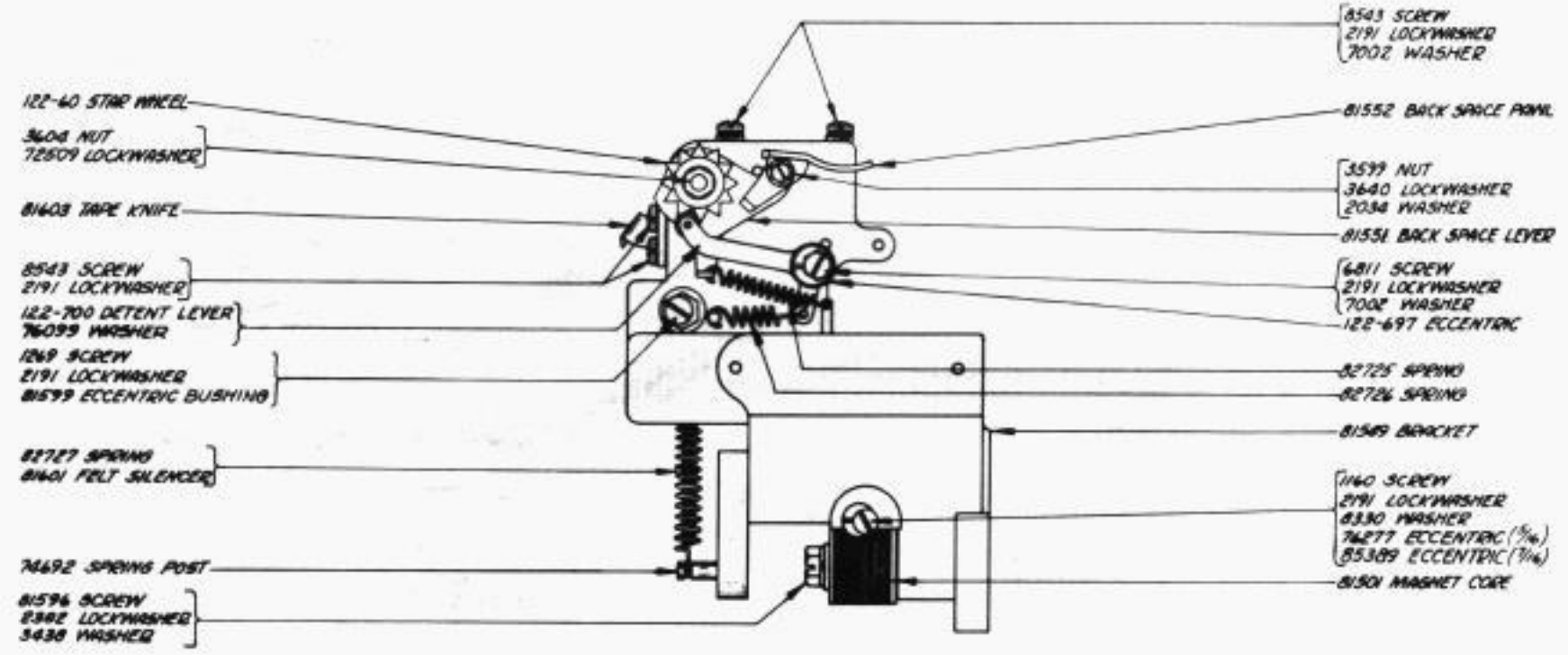
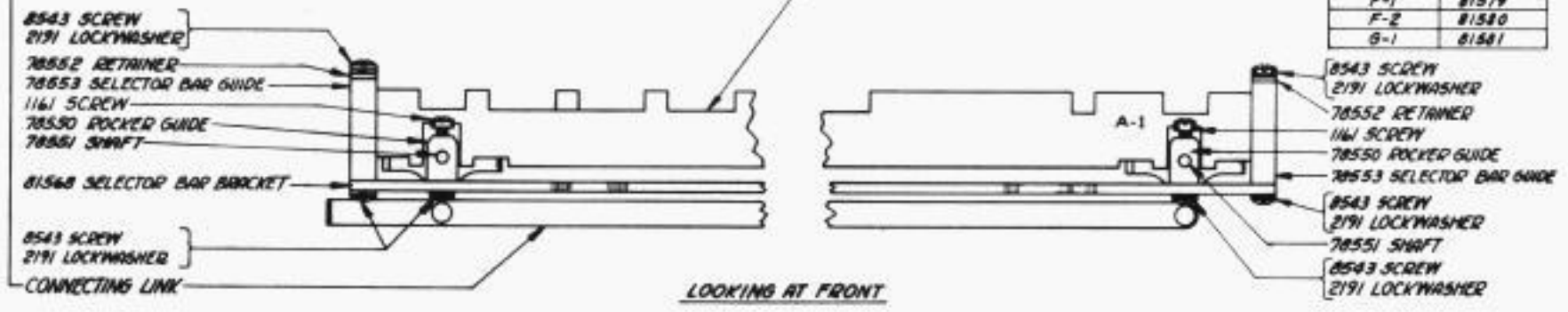
86670 SET OF CELLULOID KEYTOPS

CHARACTER	CAT. NO.	CHARACTER	CAT. NO.	CHARACTER	CAT. NO.	CHARACTER	CAT. NO.	CHARACTER	CAT. NO.
1	86671	S	86682	P	86692	J	86510	V	86518
2	86672	8	86683	W	86684	K	86511	B	86519
3	86673	Q	86693	4	86685	L	86512	N	86520
4	86674	W	86694	B	86686	PR	86498	M	86521
5	86675	E	86695	8PT	86687	1/2	86499	8	86692
6	86676	R	86696	A	86504	3/8	86489	4	86693
7	86677	T	86697	S	86505	C	86490	1/4	86694
8	86678	Y	86698	D	86506	CON	86491	1/8	86695
9	86679	U	86699	F	86507	Z	86515	LTR	86696
0	86680	I	86500	G	86508	X	86514	TFR	86697
1/8	86681	O	86501	H	86509	C	86517		

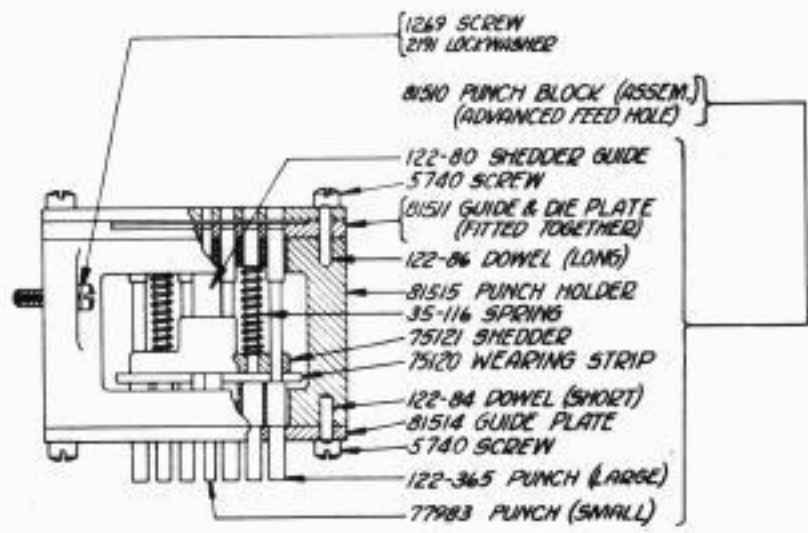
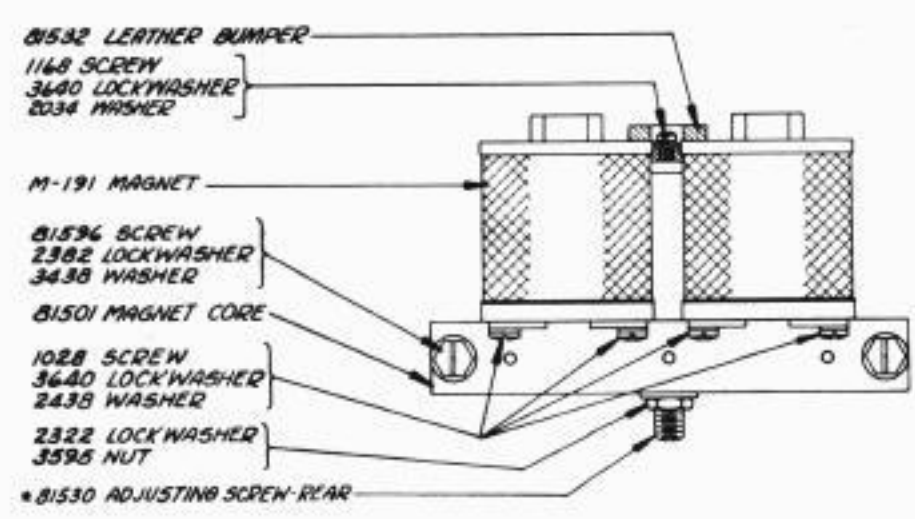
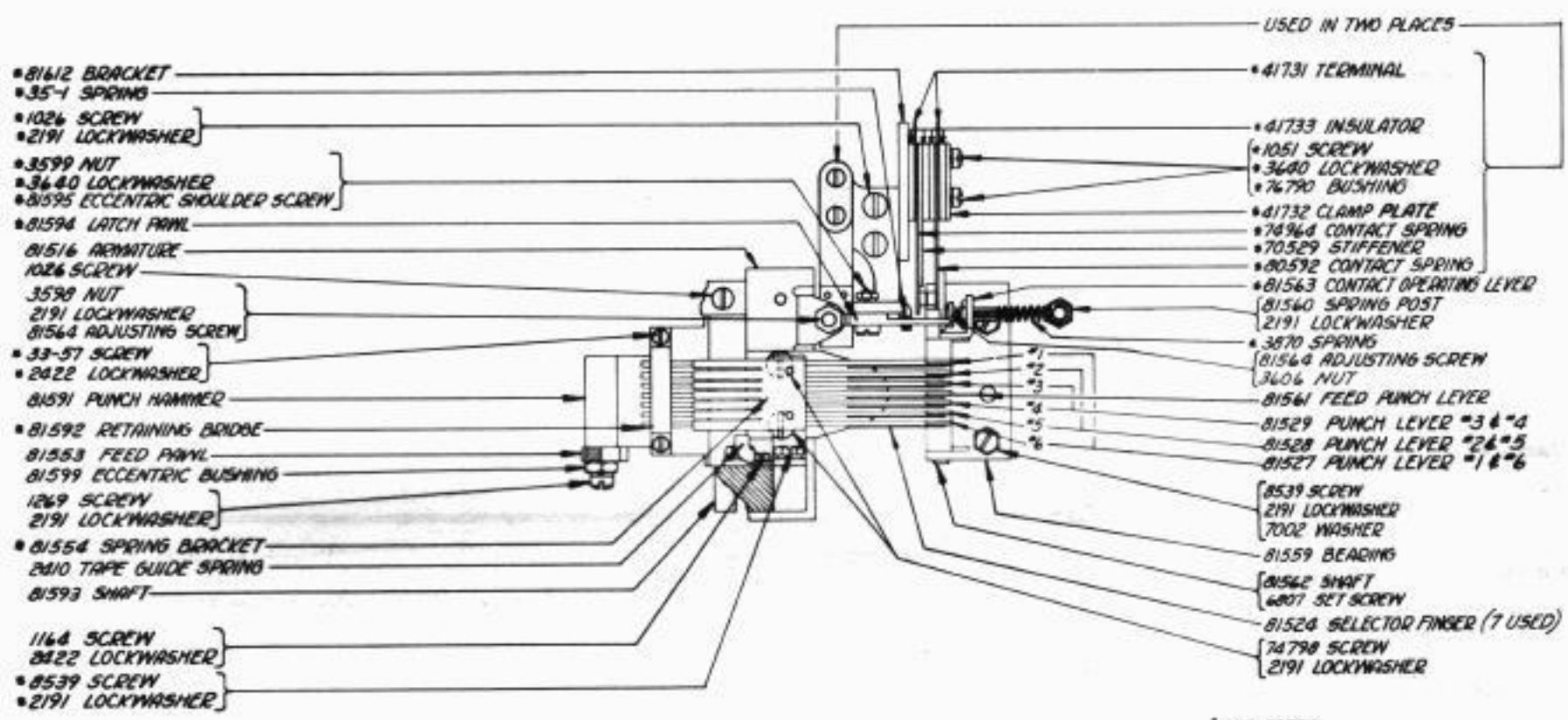
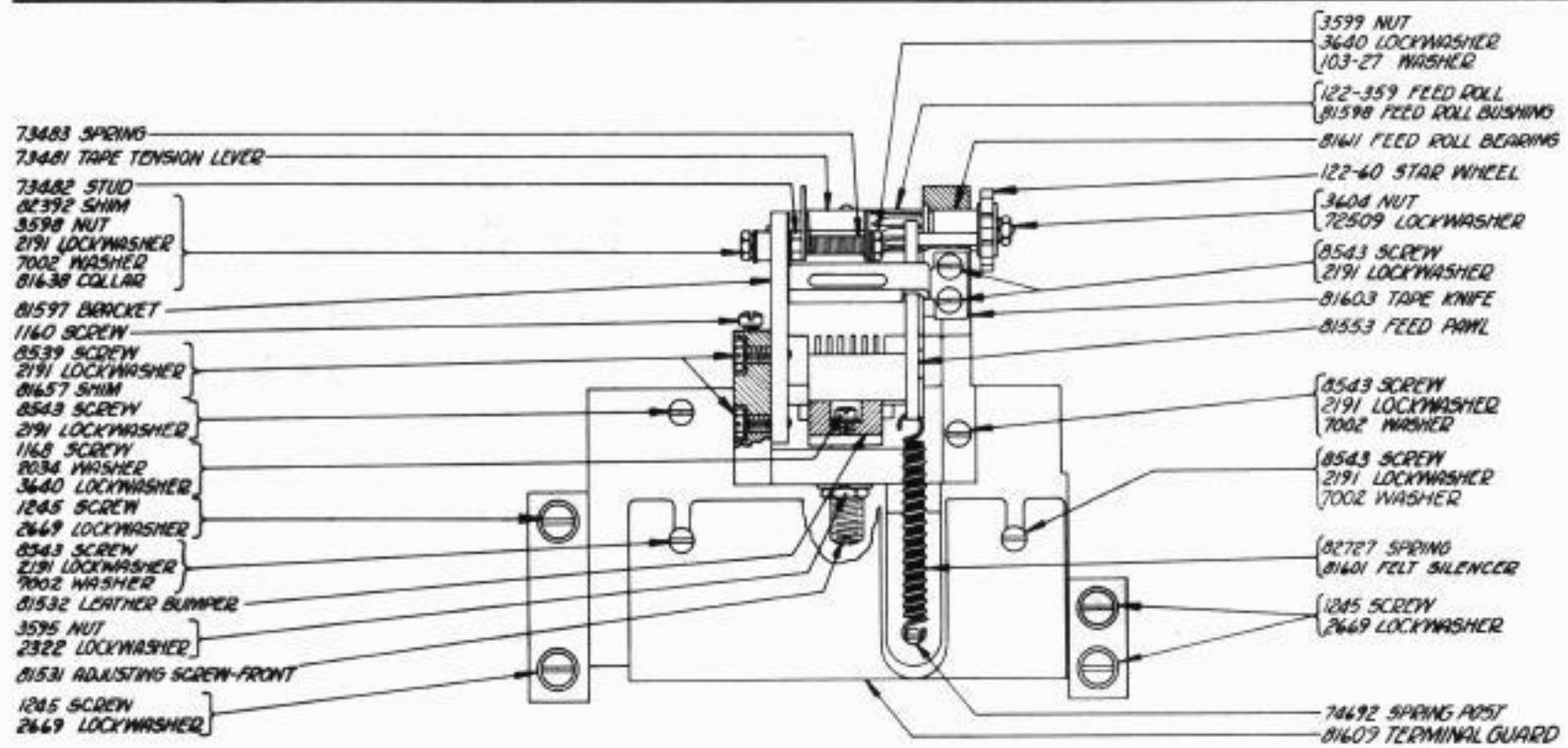
NOTE:
SEE PAGE 6 FOR EXPLANATION.



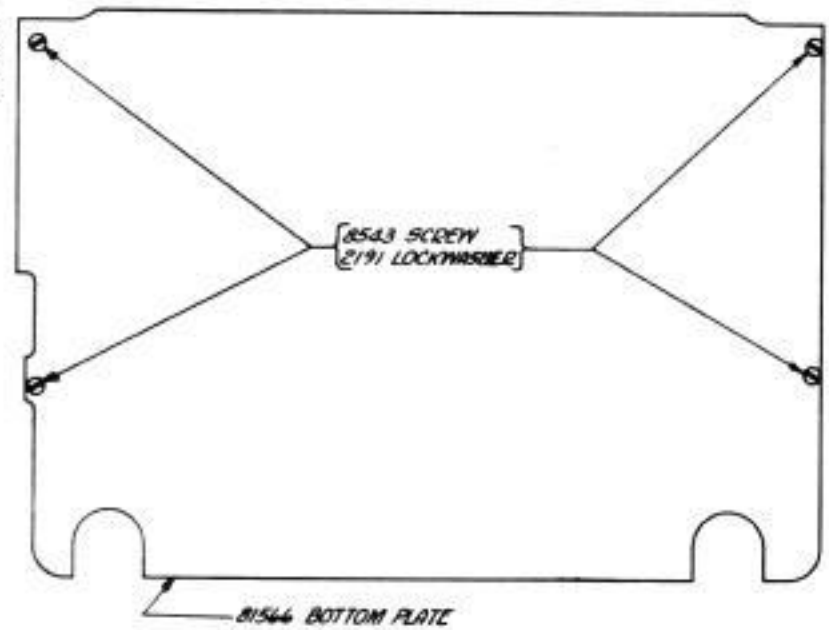
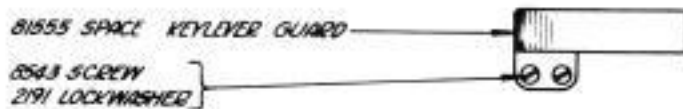
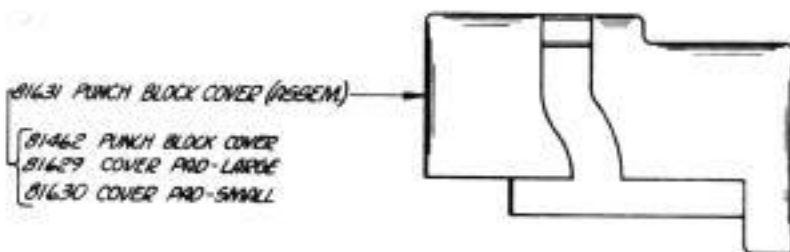
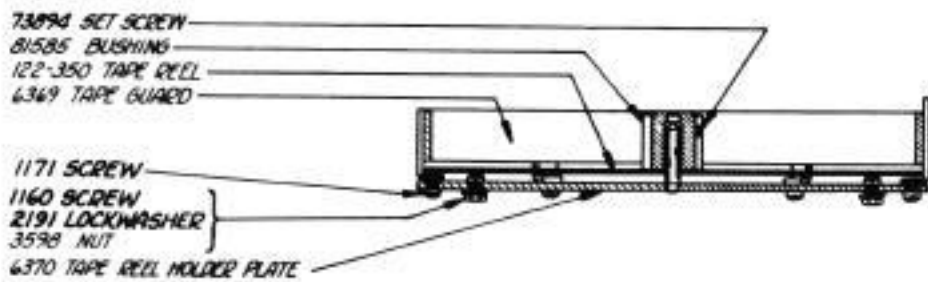
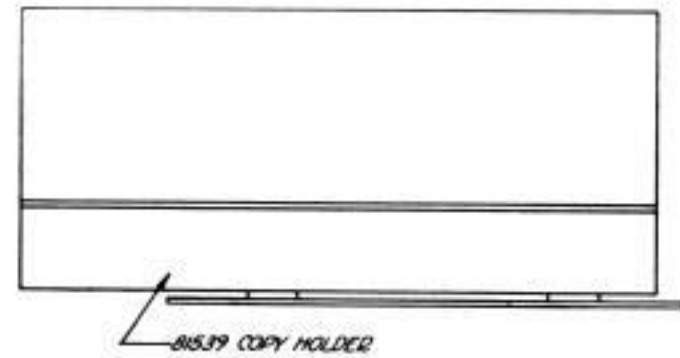
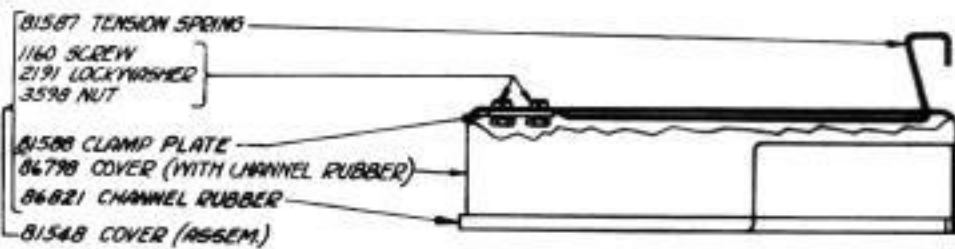
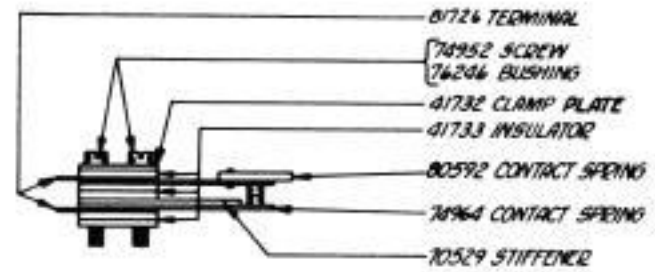
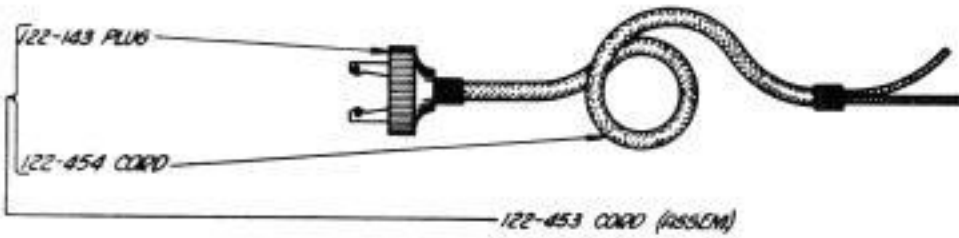
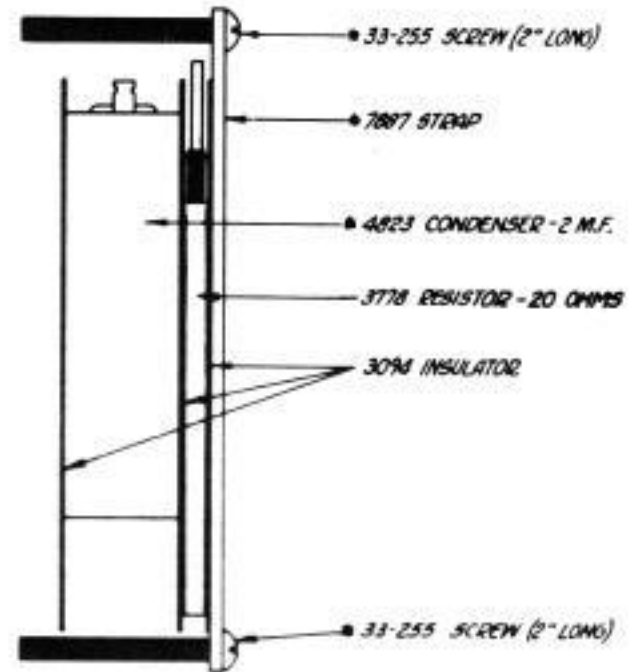
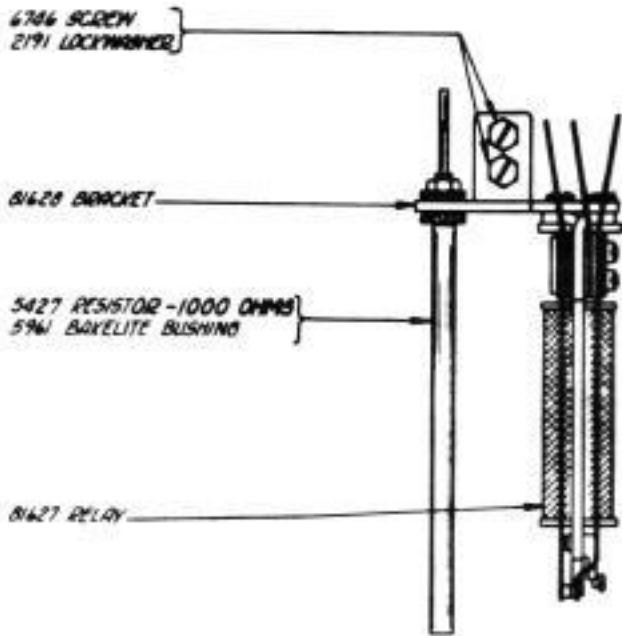
SELECTOR BARS	
NO STAMPED ON BARS	CATALOG NUMBER
A-1	81569
A-2	81570
B-1	81571
B-2	81572
C-1	81573
C-2	81574
D-1	81575
D-2	81576
E-1	81577
E-2	81578
F-1	81579
F-2	81580
G-1	81581



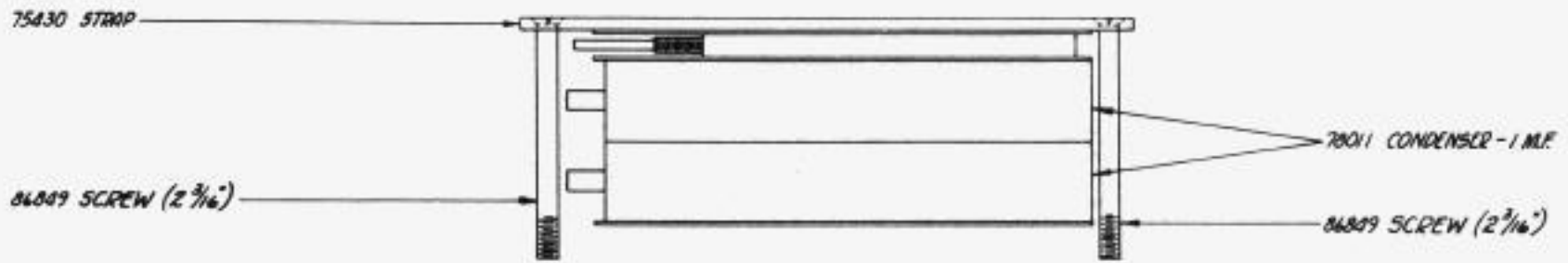
NOTE:
* SEE PAGE 6 FOR EXPLANATION.



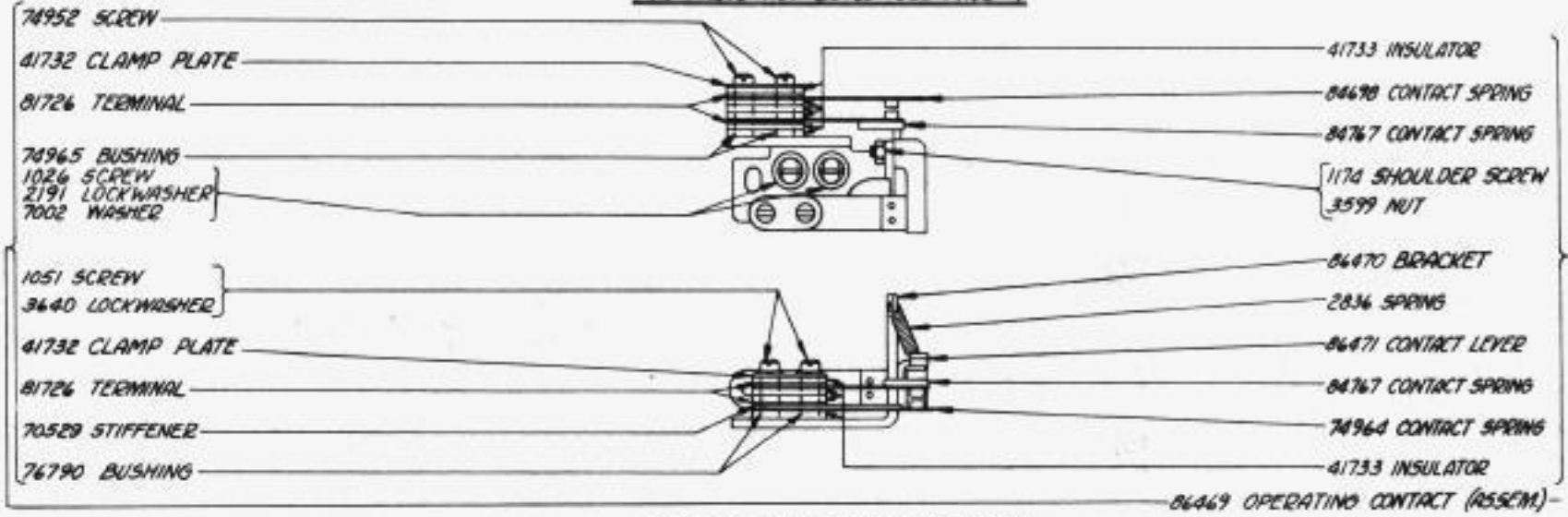
NOTE:
SEE PAGE 6 FOR EXPLANATION.



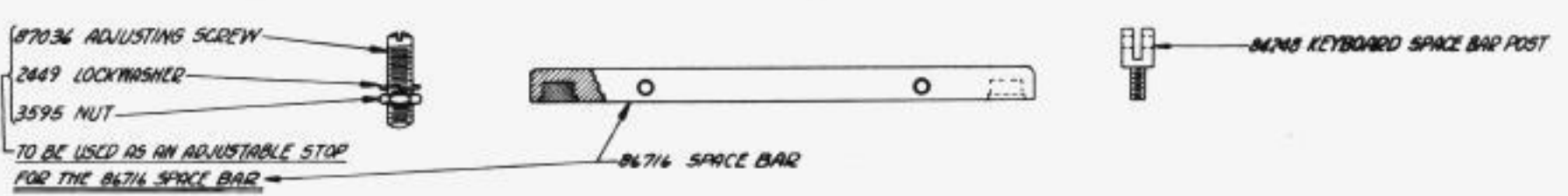
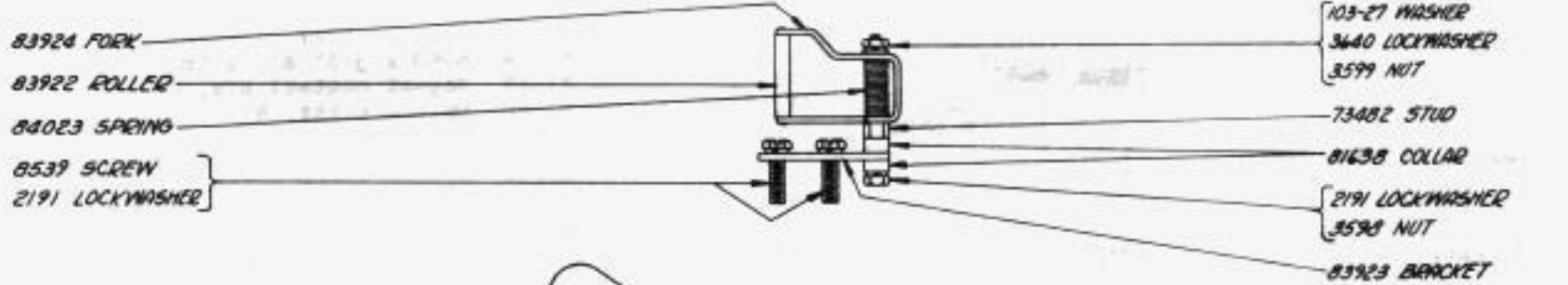
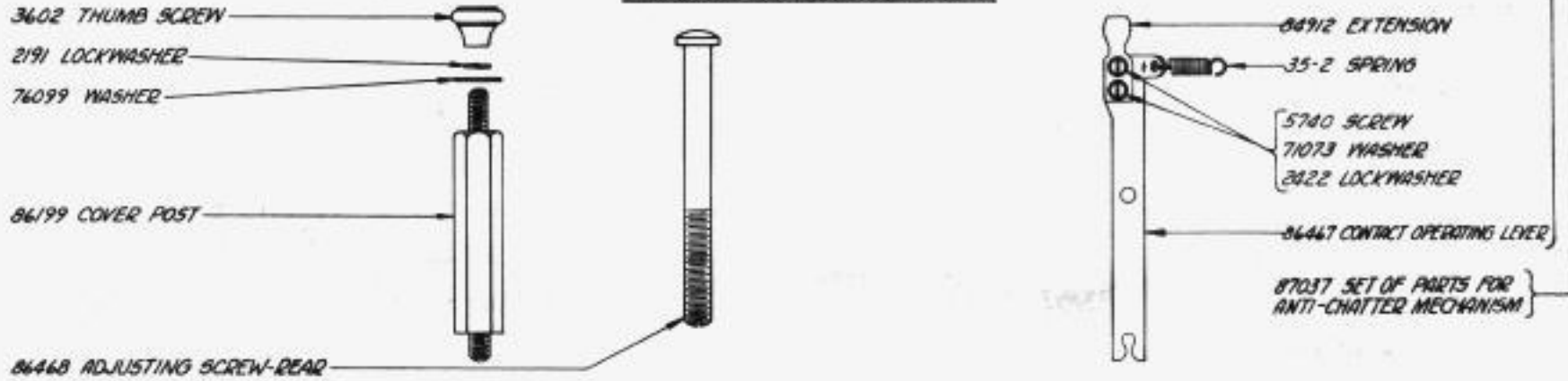
NOTE:
* SEE PAGE 6 FOR EXPLANATION



FOR PARTS NOT LISTED SEE PAGE 4



FOR PARTS NOT LISTED SEE PAGE 3



Notes of Explanation

*Parts marked with an asterisk are used on MPE-1 only. Parts not marked are used on both MPE-1 and MPE-6. All parts shown on page 5 are used on MPE-6 only.

NUMERICAL INDEX

M-191	Magnet, 3	6807	6-40 x 3/16" set screw, 3	81523	Space bar, 1
33-57	2-56 x 9/32" screw, 3	6810	10-32 x 3/8" screw, 1	81524	Selector finger, 3
33-110	4-40 x 3/16" screw, 2	6811	6-40 x 5/8" screw, 2	81527	Punch lever #1 and #6, 3
33-255	10-32 x 2" screw, 4	7002	Washer, 1, 2, 3, 5	81528	" " #2 " #5, 3
35-1	Spring, 3	7334	Post, 1	81529	" " #3 " #4, 3
35-2	Spring, 5	7482	Bottom key lever, 1	81530	Adjusting screw - rear, 3
35-116	Spring, 3	7654	Shim, 1	81531	Adjusting screw - front, 3
103-27	Washer, 1, 3, 5	7887	Strap, 4	81532	Leather bumper, 3
122-60	Star wheel, 2, 3	8254	Cable clamp, 1	81534	Upstop, 1
122-80	Shedder guide, 3	8330	Washer, 2	81535	Shaft, 1
122-84	Dowel (short), 3	8333	10-32 x 3/8" screw, 1	81537	Resistance unit (assem.), 1
122-86	Dowel (long), 3	8539	6-40 x 1/2" screw, 1, 3, 5	81539	Copy holder, 4
122-143	Plug, 4	8543	6-40 x 1/4" screw, 1, 2, 3, 4	81541	Connecting link - A, 2
122-350	Tape reel, 4	35503	Rubber foot, 1	81542	" " B "
122-359	Feed roll, 3	41731	Terminal, 3	81543	" " C "
122-365	Punch (large), 3	41732	Clamp plate, 3, 4, 5	81544	" " D "
122-453	Cord (assem.), 4	41733	Insulator, 3, 4, 5	81545	" " E "
122-454	Cord, 4	55080	Bezel, 1	81546	" " F "
122-697	Eccentric, 2	70529	Stiffener, 3, 4, 5	81547	" " G-1, 2
122-700	Detent lever, 2	70724	Insulator strip, 1	81548	Cover (assem.), 4
1026	6-40 x 3/8" screw, 3, 5	70887	3/16-24 hex. nut, 1	81549	Bracket, 2
1028	4-40 x 1/4" screw, 1, 3	71073	Washer, 5	81551	Back space lever, 2
1043	10-32 x 5/16" screw, 1	72509	Lock washer, 2, 3	81552	Back space pawl, 2
1051	4-40 x 1/2" screw, 3, 5	72545	Post, 1	81553	Feed pawl, 3
1160	6-40 x 5/16" screw, 2, 3, 4	72643	6-40 shoulder screw, 1	81554	Spring bracket, 3
1161	6-40 x 1/4" screw, 2	72983	Lower key lever, 1	81555	Space key lever guard, 4
1164	2-56 x 3/16" screw, 3	72984	Upper key lever, 1	81556	Shaft, 1
1168	4-40 x 5/16" screw, 3	72985	Top key lever, 1	81557	Key lever guide - front, 1
1171	6-32 x 3/16" screw, 4	73357	Terminal end, 1	81558	Key lever guide and spring bar, 1
1174	4-40 shoulder screw, 5	73481	Tape tension lever, 3	81559	Bearing, 3
1245	10-32 x 1" screw, 1, 3	73482	Stud, 3, 5	81560	Spring post, 1, 3
1269	6-40 x 1/2" screw, 1, 2, 3	73483	Spring, 3	81561	Feed punch lever, 3
2034	Washer, 2, 3	73670	Terminal block (assem.), 1	81562	Shaft, 3
2191	Lock washer, 1, 2, 3, 4, 5	73705	Terminal block, 1	81563	Contact operating lever, 3
2322	Lock washer, 3	73762	Space key lever, 1	81564	6-40 x 3/8" adjusting screw, 1, 3
2382	Lock washer, 2, 3	73894	6-40 x 1/8" set screw, 4	81565	Repeat contact arm, 1
2410	Tape guide spring, 3	74014	10-32 x 3/4" screw, 1	81566	Bottom plate, 4
2422	Lock washer, 3, 5	74692	Spring post, 2, 3	81567	Cover post, 1
2438	Washer, 1, 3	74798	6-40 x 31/64" screw, 3	81568	Selector bar bracket, 2
2449	Lock washer, 5	74952	4-40 x 5/8" screw, 4, 5	81569	Selector bar A-1, 2
2565	Key lever spring, 1	74964	Contact spring, 3, 4, 5	81570	" " A-2 "
2566	Space key lever spring, 1	74965	Bushing, 5	81571	" " B-1 "
2663	Buffer, 1	74986	6-40 x 13/32" screw, 1	81572	" " B-2 "
2669	Lock washer, 1, 3	75120	Wearing strip, 3	81573	" " C-1 "
2836	Spring, 5	75121	Shedder, 3	81574	" " C-2 "
3094	Insulator, 4	75430	Strap, 5	81575	" " D-1 "
3438	Washer, 2, 3	76099	Washer, 2, 5	81576	" " D-2 "
3595	1/4-32 hex. nut, 3, 5	76246	Bushing, 4	81577	" " E-1 "
3598	6-40 hex. nut, 1, 3, 4, 5	76277	Eccentric (5/16), 2	81578	" " E-2 "
3599	4-40 hex. nut, 1, 2, 3, 5	76549	Bushing, 1	81579	" " F-1 "
3602	Thumb screw, 5	76790	Bushing, 3, 5	81580	" " F-2 "
3604	5/32-40 hex. nut, 2, 3	77983	Punch (small), 3	81581	" " G-1 "
3606	6-40 hex. nut, 1, 3	78011	Condenser - 1 M.F., 5	81584	Bracket, 1
3628	Outlet bushing, 1	78357	Cable clamp, 5	81585	Bushing, 4
3640	Lock washer, 1, 2, 3, 5	78550	Rocker guide, 2	81587	Tension spring, 4
3650	Washer, 1	78551	Shaft, 2	81588	Clamp plate, 4
3778	Resistor - 20 ohms, 4	78552	Retainer, 2	81591	Punch hammer, 3
3870	Spring, 3	78553	Selector bar guide, 2	81592	Retaining bridge, 3
4057	Washer, 1	80592	Contact spring, 3, 4	81593	Shaft, 3
4823	Condenser - 2 M.F., 4	81462	Punch block cover, 4	81594	Latch pawl, 3
4851	Terminal, 1	81501	Magnet core, 2, 3	81595	4-40 eccentric shoulder screw, 3
4871	3/16-24 x 4" screw, 1	81510	Punch block (assem.) (advanced feed hole), 3	81596	10-32 x 1 3/8" screw, 2, 3
5427	Resistor - 1000 ohms, 4	81511	Guide and die plate (fitted together), 3	81597	Bracket, 3
5740	2-56 x 1/4" screw, 3, 5	81514	Guide plate, 3	81598	Feed roll bushing, 3
5961	Bakelite bushing, 4	81515	Punch holder, 3	81599	Eccentric bushing, 2, 3
6369	Tape guard, 4	81516	Armature, 3	81601	Felt silencer, 2, 3
6370	Tape reel holder plate, 4	81520	Space bar loop, 1	81603	Tape knife, 2, 3
6745	10-32 x 1/2" screw, 1			81605	Chad chute plate, 2
6746	6-40 x 5/16" screw, 1, 4			81608	Tape stripper plate, 2

NUMERICAL INDEX

81609	Terminal guard, 3	84502	Celluloid keytop P, 1	86678	Celluloid keytop S, 1
81611	Feed roll bearing, 3	84504	" " " A " "	86679	" " " 9 " "
81612	Bracket, 3	84505	" " " S " "	86680	" " " 0 " "
81621	Base (with 76549 bushings), 1	84506	" " " D " "	86681	" " " 1/8 " "
81627	Relay, 4	84507	" " " F " "	86682	" " " 8 " "
81628	Bracket, 4	84508	" " " G " "	86683	" " " 4 " "
81629	Cover pad - large, 4	84509	" " " H " "	86684	" " " 1/4 " "
81630	Cover pad - small, 4	84510	" " " J " "	86685	" " " 3/8 " "
81631	Punch block cover (assem.), 4	84511	" " " K " "	86686	" " " B " "
81632	Keyboard cable, 1	84512	" " " L " "	86687	" " " RPT " "
81638	Collar, 3, 5	84515	" " " Z " "	86688	" " " 1/2 " "
81657	Shim, 3	84516	" " " X " "	86689	" " " 5/8 " "
81726	Terminal, 4, 5	84517	" " " C " "	86690	" " " C " "
81748	Chad chute, 2	84518	" " " V " "	86691	" " " CQN " "
81904	Resistor - 200 ohm, 1	84519	" " " B " "	86692	" " " & " "
82392	Shim, 3	84520	" " " N " "	86693	" " " 6 " "
82725	Spring, 2	84521	" " " M " "	86694	" " " 3/4 " "
82726	Spring, 2	84698	Contact spring, 5	86695	" " " 7/8 " "
82727	Spring, 2, 3	84767	" " " " " "	86696	" " " LTRS, 1
83922	Roller, 5	84912	Extension, 5	86697	" " " TFR, 1
83923	Bracket, 5	85389	Eccentric (7/16), 2	86698	" " " PR, 1
83924	Fork, 5	86199	Cover post, 5	86716	Space bar, 5
84023	Spring, 5	86467	Contact operating lever, 5	86798	Cover (with channel rubber), 4
84248	Keyboard space bar post, 5	86468	Adjusting screw - rear, 5	86821	Channel rubber, 4
84493	Celluloid keytop Q, 1	86469	Operating contact (assem.), 5	86849	10-32 x 2 3/16" screw, 5
84494	" " " W " "	86470	Bracket, 5	86865	Chad chute, 5
84495	" " " E " "	86471	Contact lever, 5	87036	1/4-32 x 29/32" adjusting screw, 5
84496	" " " R " "	86670	Set of celluloid keytops, 1	87037	Set of parts for anti-chatter mechanism, 5
84497	" " " T " "	86671	Celluloid keytop 1, 1		
84498	" " " Y " "	86672	" " " 2 " "		
84499	" " " U " "	86673	" " " 3 " "		
84500	" " " I " "	86674	" " " 4 " "		
84501	" " " O " "	86675	" " " 5 " "		
		86676	" " " 6 " "		
		86677	" " " 7 " "		