

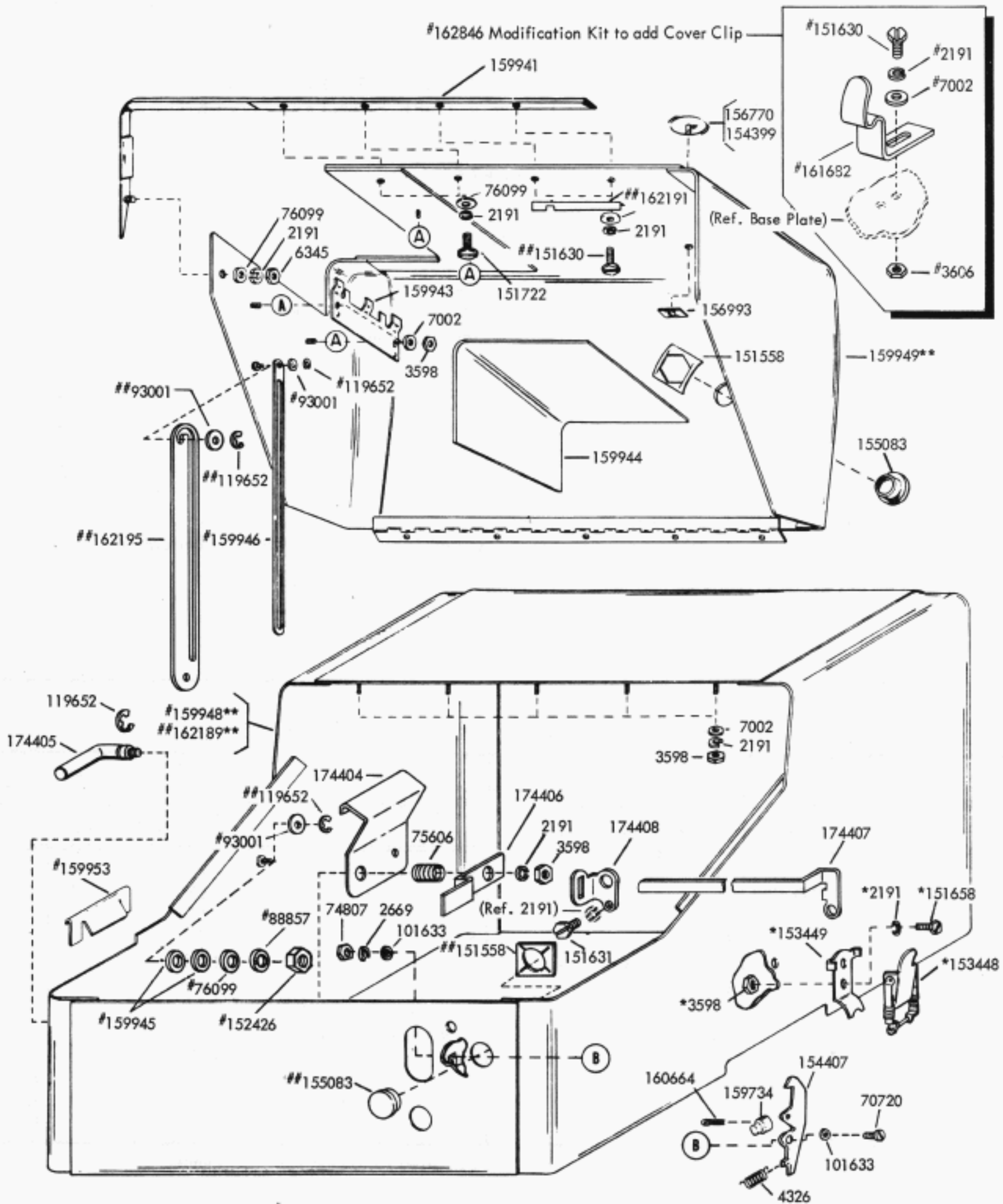
28 RECEIVING-ONLY REPERFORATOR OR TAPE PRINTER COVER (LRC),
28 SEND-RECEIVE REPERFORATOR OR TAPE PRINTER COVER (LSRC) and
28 REPERFORATOR OR TAPE PRINTER TABLE (LT)

PARTS

FIGURE	CONTENTS	PAGE
1	Receiving-Only Typing Reperforator Cover	2
2	Receiving-Only Non-Typing Reperforator Cover (Miniaturized)	3
3	Receiving-Only Typing Reperforator Cover (Miniaturized)	4
4	Send-Receive Cover	5
5	Tape Printer Sub-Base	6
6	Tape Printer Sub-Base	7
7	Tape Printer Cover	8
8	Table	9
9	Table with Fixed Lower Shelf	10
10	Table with Sliding Lower Shelf	11
11	Table with Facilities for Tape Winder	12
12	176615** Modification Kit to Adapt Base and Table for Use with Fully Perforated Punches	13
	Numerical Index	14

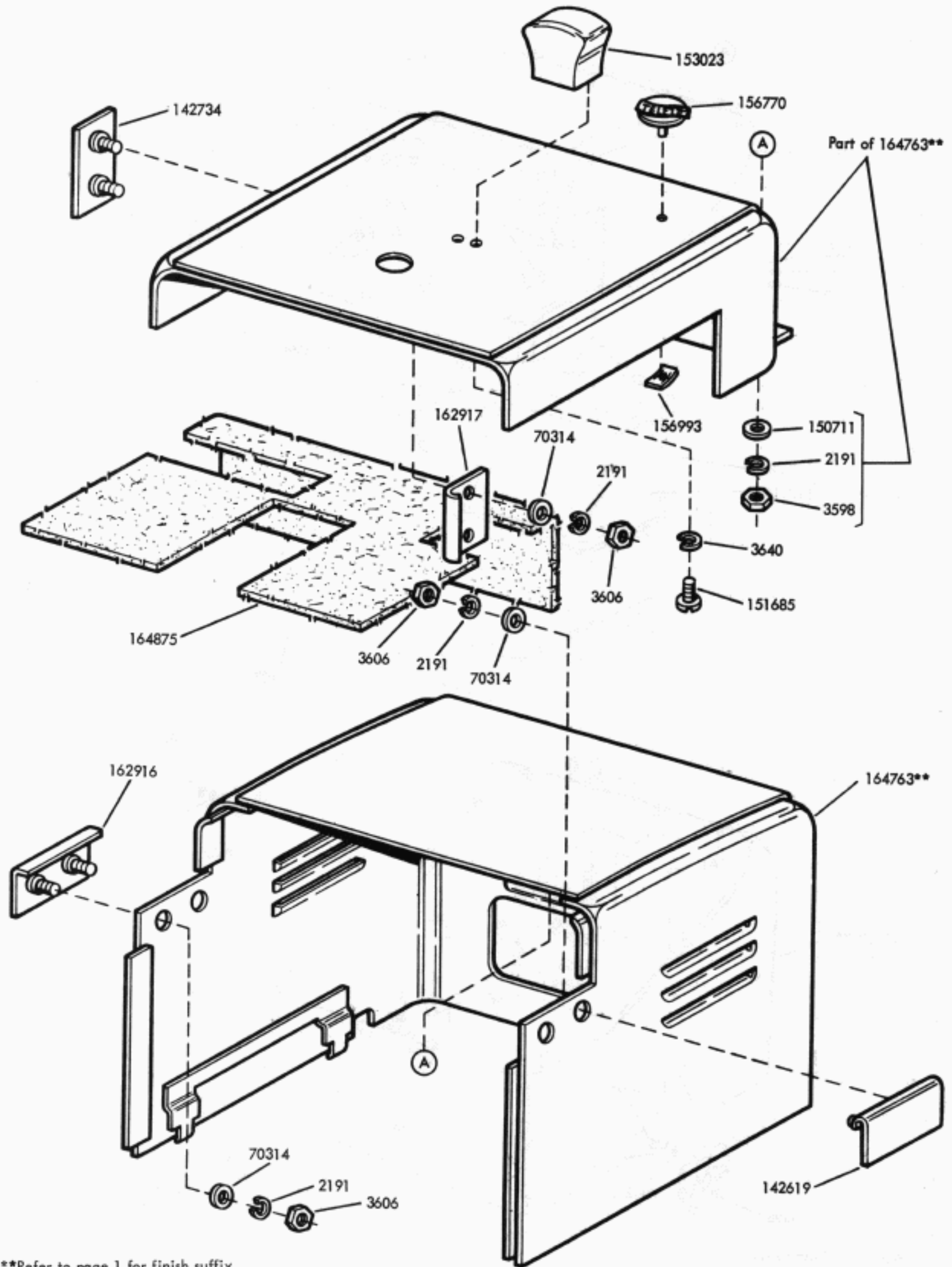
PAINT FINISH COLOR CODE CHART (For parts and assemblies requiring a paint finish)									
Color	Finish Suffixes				Color	Finish Suffixes			
	Wrinkle Finish	Smooth Finish	Textured Vinyl	Smooth Vinyl		Wrinkle Finish	Smooth Finish	Textured Vinyl	Smooth Vinyl
Black	AA (37)	BB			Brussels Light Blue		EC		
Dark Brown	AD (38)				Medium Blue		ES		
Gray Green	AB (40)	BK	GA (45)		Cherry Red		EF		
Charcoal Gray	AL	BZ		HA	Pastel Yellow		EG		
Dark Gray			GB		White		EH		
Light Gray		EJ		HB (68)	Ivory		EM		
Beige Gray			GC		Beige		ET		
Light Beige		EL		HC	Rose Beige		ER		
Moss Green		EN		HD	Rose Pink		EU		
Eye Rest Green		EA			Dark Covert Gray				HE
Turquoise		EV			Light Olive Gray		EW	GE	HF (46)
Aqua Blue		EK			Fawn				HG

The double asterisk (**) denotes a painted part. Suffix to be applied following the part number. Number in parenthesis indicates Bell System code.



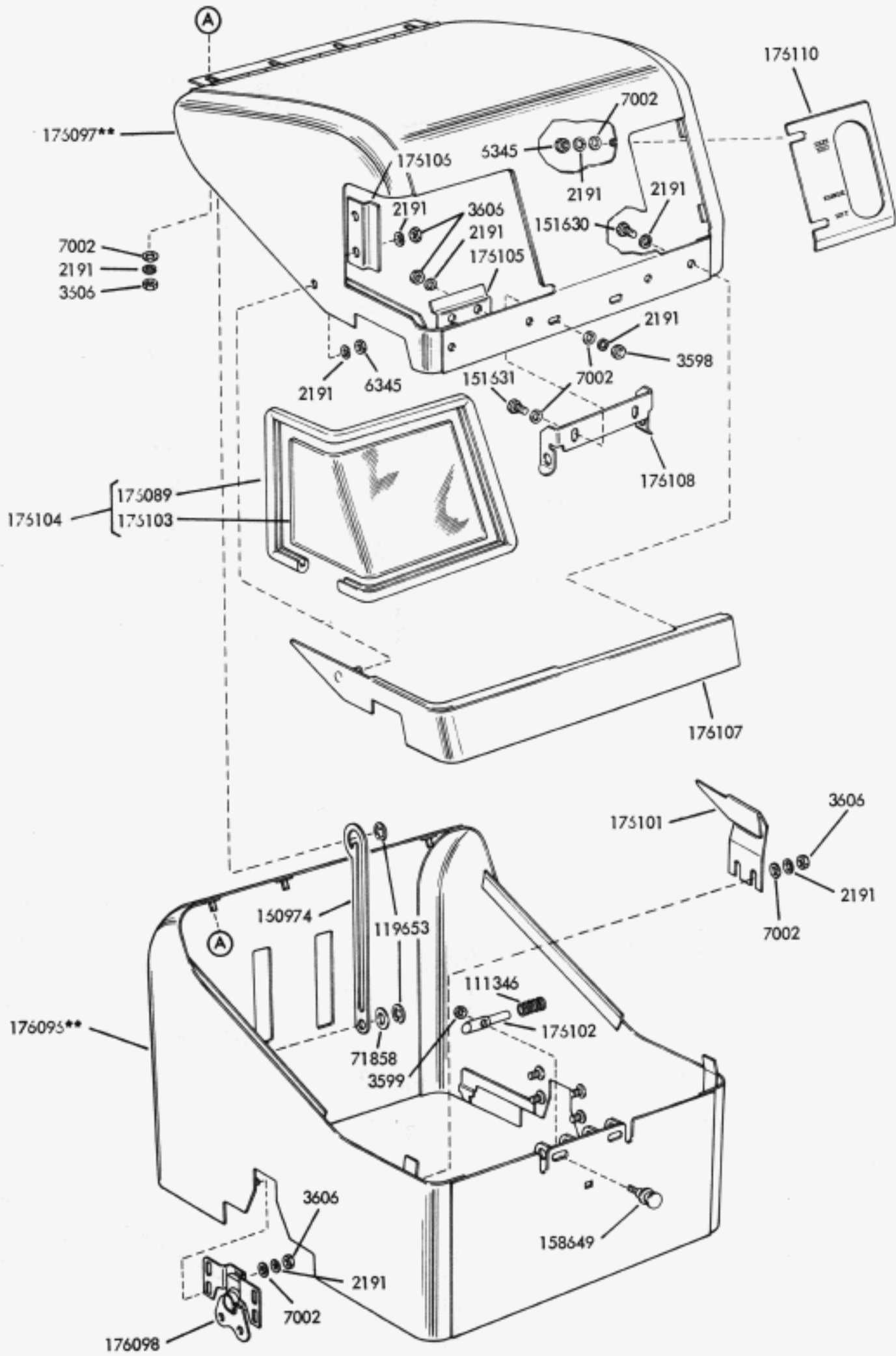
*Supplied with #162189**
 **Refer to page 1 for finish suffix
 #Peculiar to cover without provision for motor power and tape feed-out switches.
 #Peculiar to cover with provision for motor power and tape feed-out switches.

FIGURE 1. RECEIVING-ONLY TYPING REPERFORATOR COVER



**Refer to page 1 for finish suffix

FIGURE 2. RECEIVING-ONLY NON-TYPING REPERFORATOR COVER
(MINIATURIZED)



**Refer to page 1 for finish suffix

FIGURE 3. RECEIVING-ONLY TYPING REPERFORATOR COVER (MINIATURIZED)

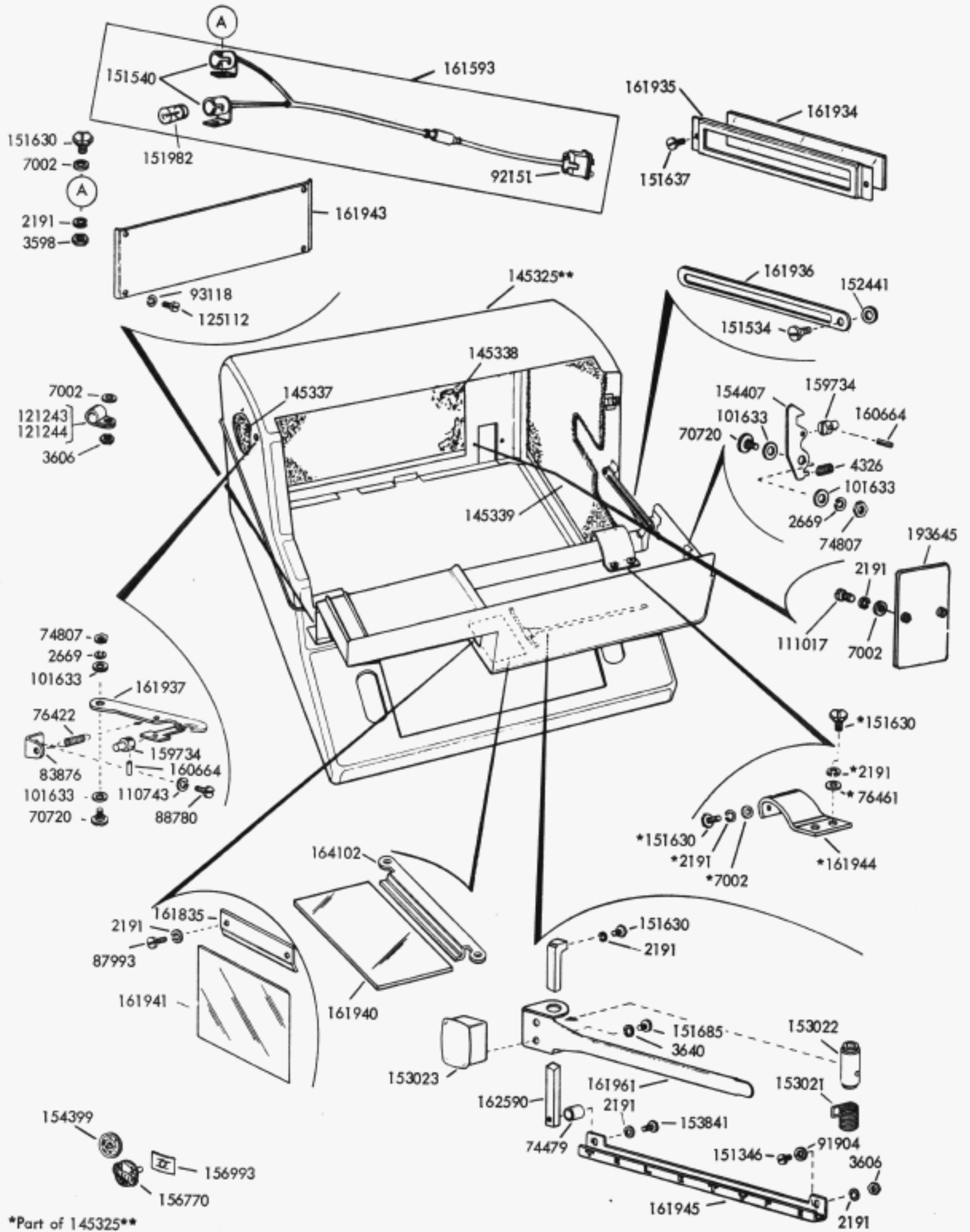
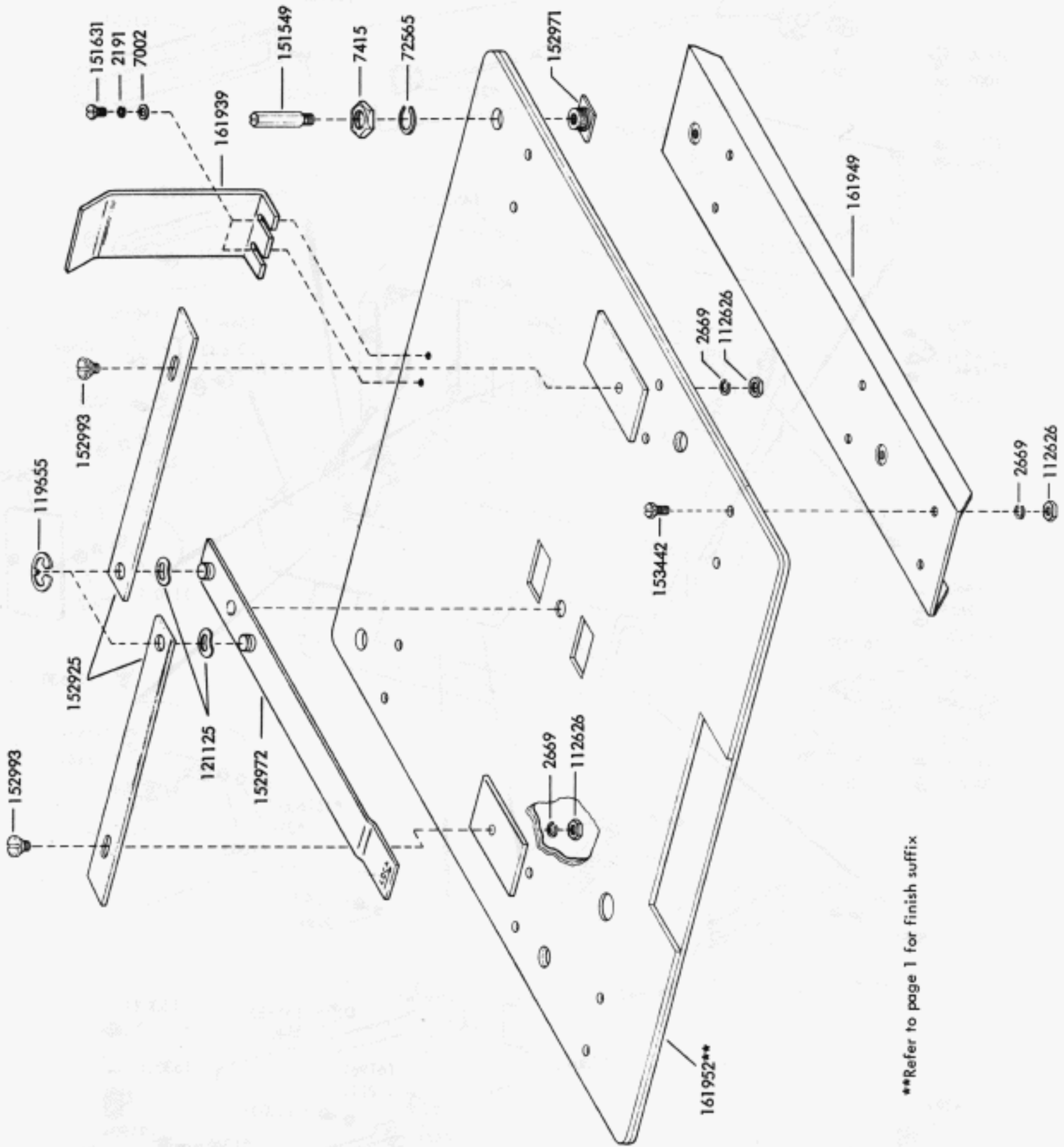
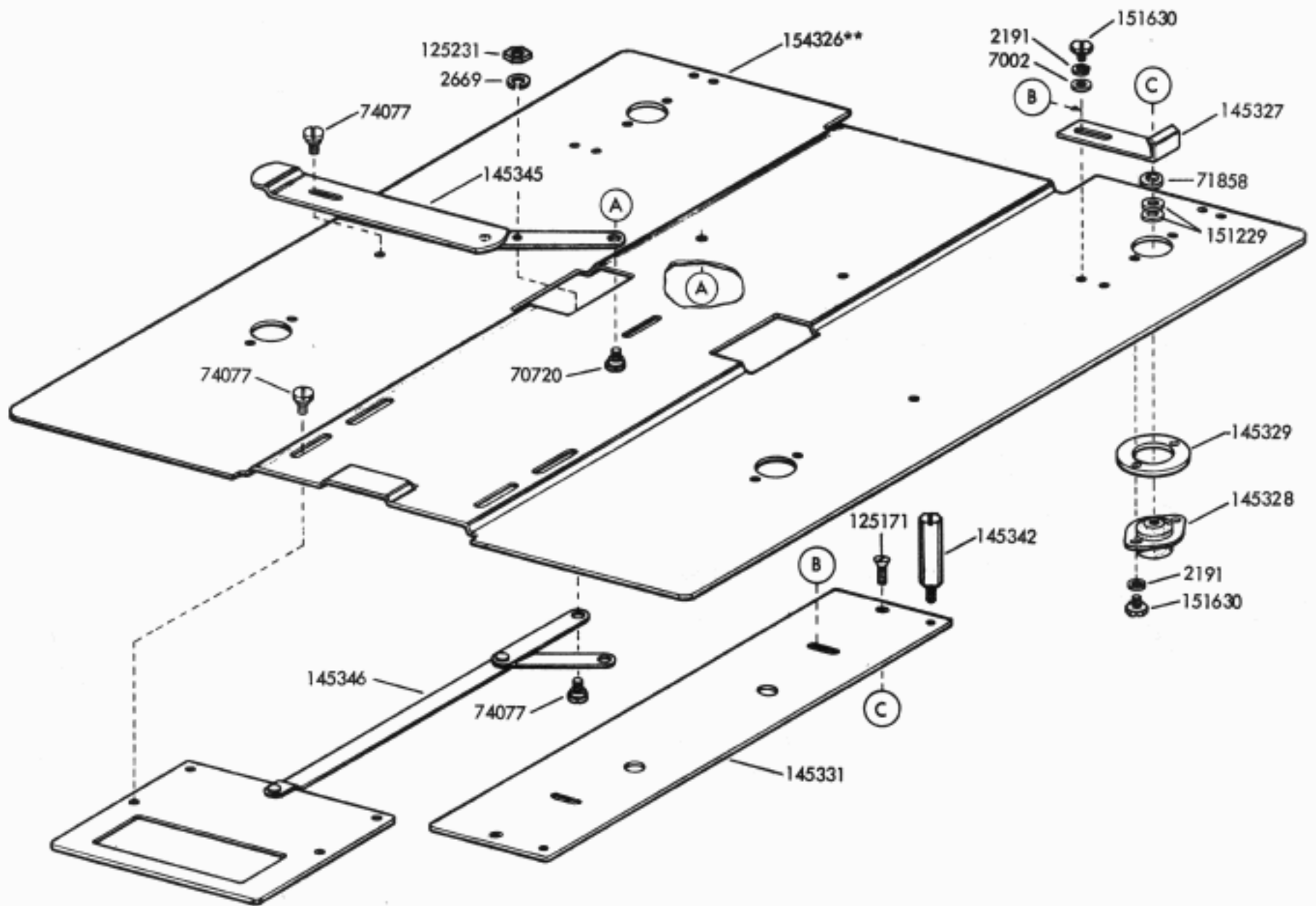


FIGURE 4. SEND-RECEIVE COVER



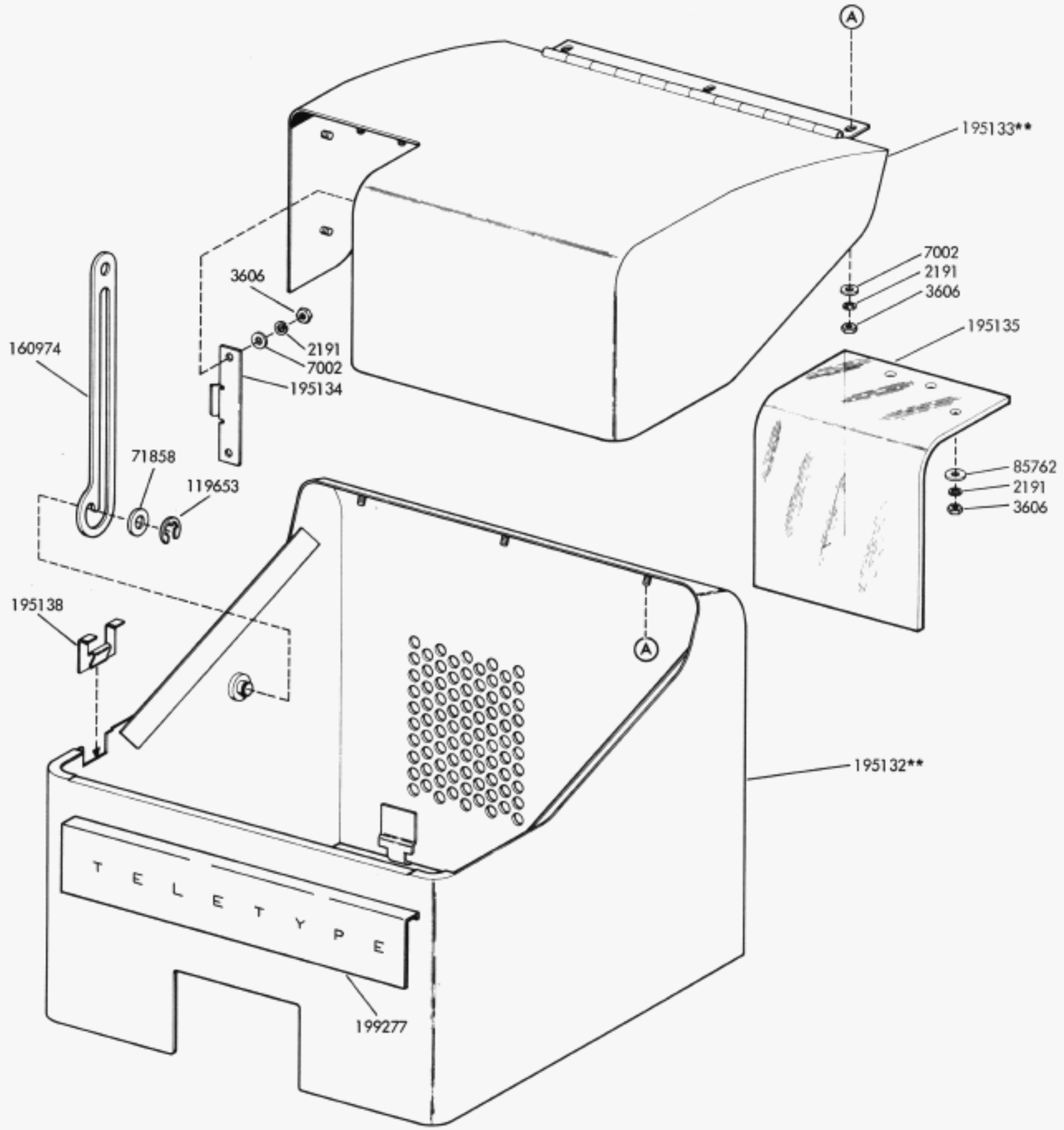
**Refer to page 1 for finish suffix

FIGURE 5. TAPE PRINTER SUB-BASE



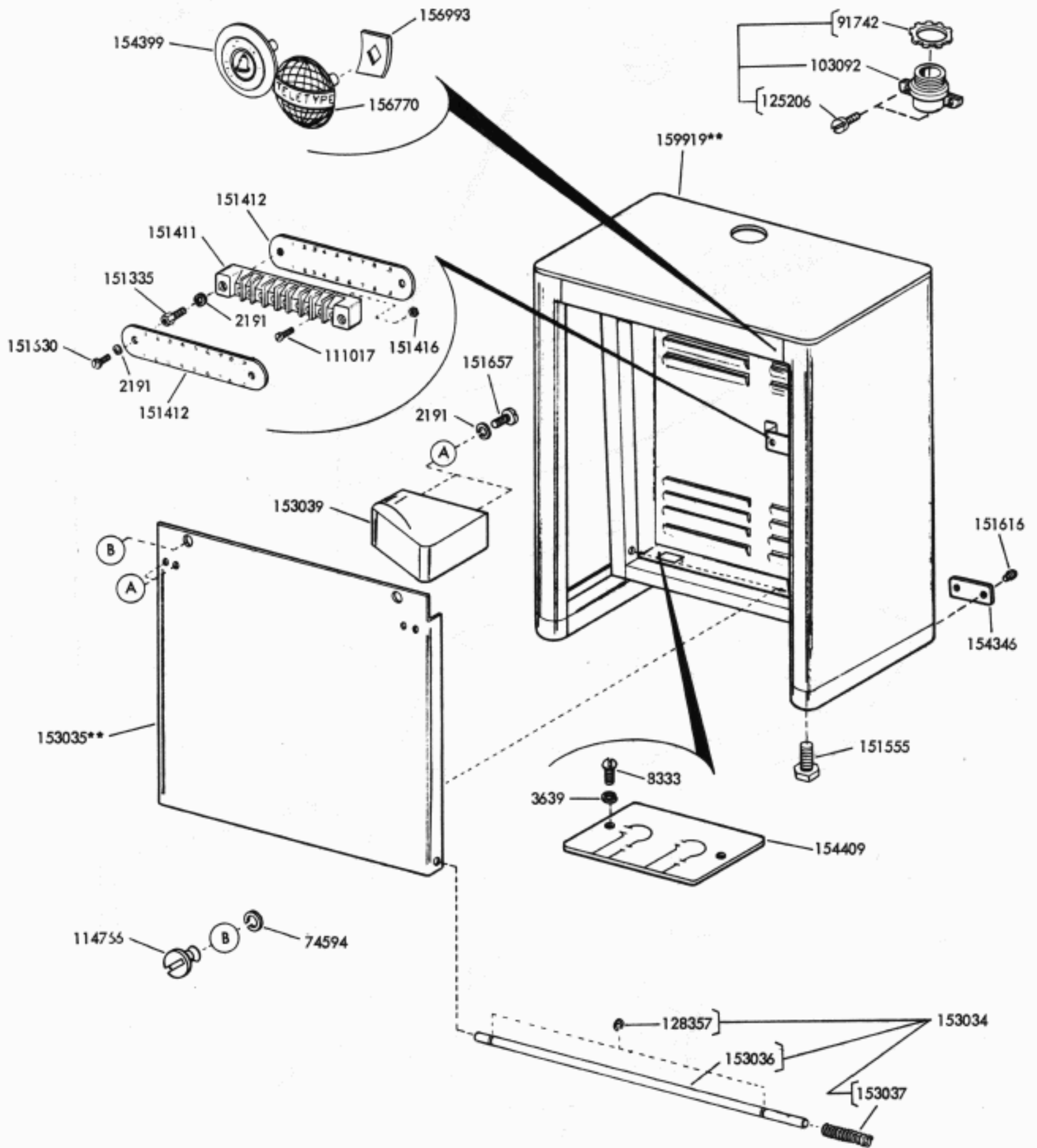
**Refer to page 1 for finish suffix

FIGURE 6. TAPE PRINTER SUB-BASE



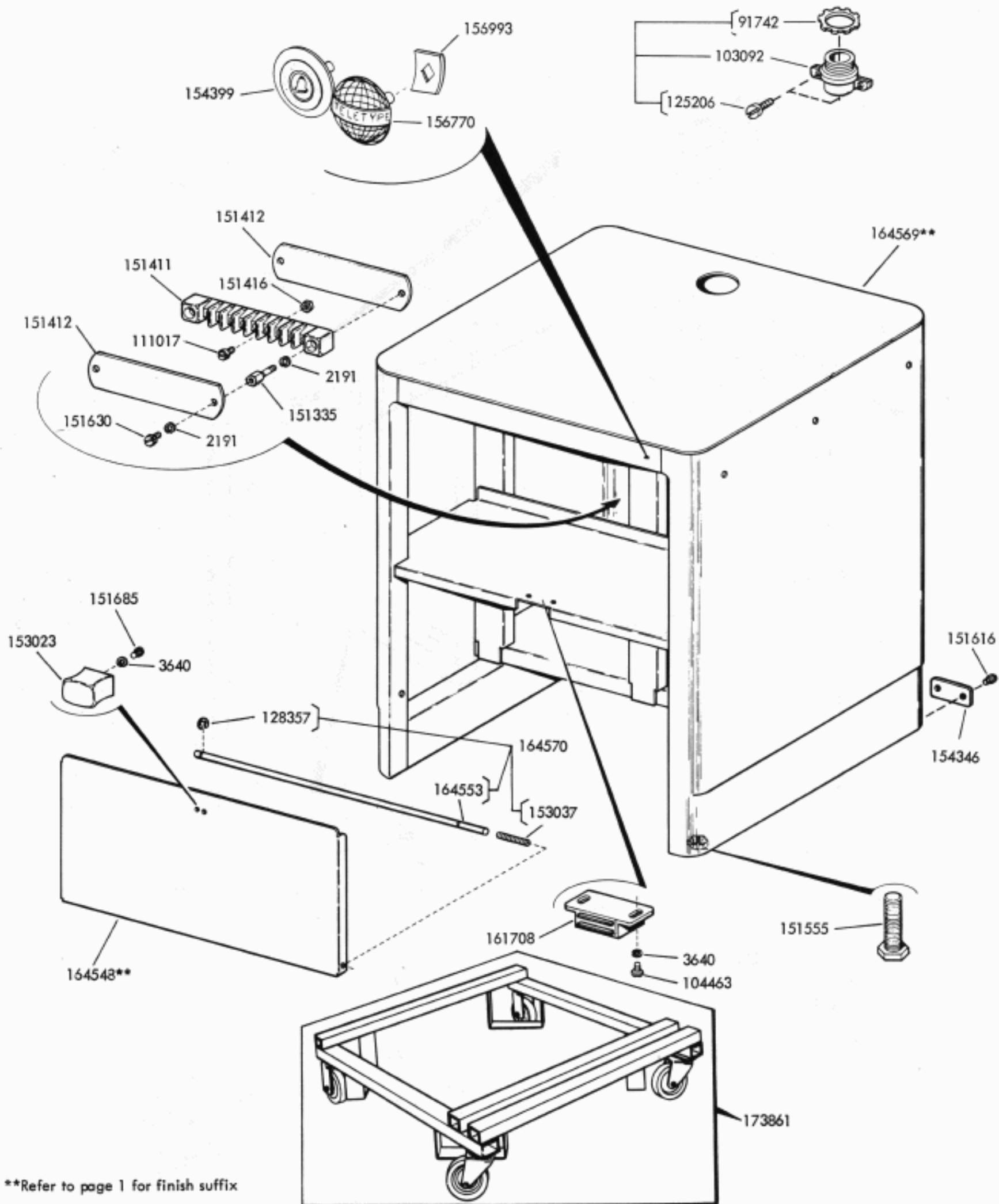
**Refer to page 1 for finish suffix

FIGURE 7. TAPE PRINTER COVER



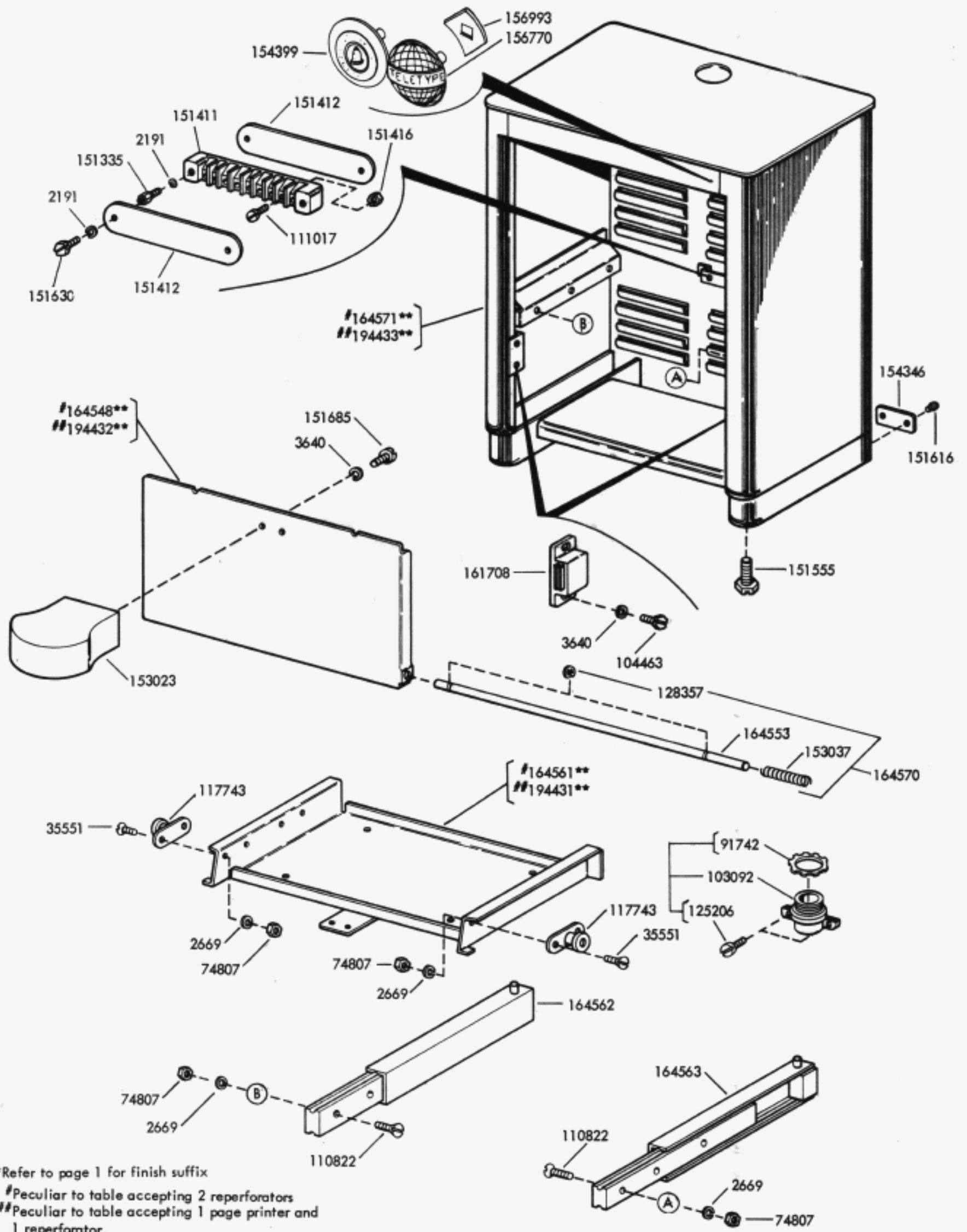
**Refer to page 1 for finish suffix

FIGURE 8. TABLE



**Refer to page 1 for finish suffix

FIGURE 9. TABLE WITH FIXED LOWER SHELF



**Refer to page 1 for finish suffix
 #Peculiar to table accepting 2 reperforators
 ##Peculiar to table accepting 1 page printer and 1 reperforator.

FIGURE 10. TABLE WITH SLIDING LOWER SHELF

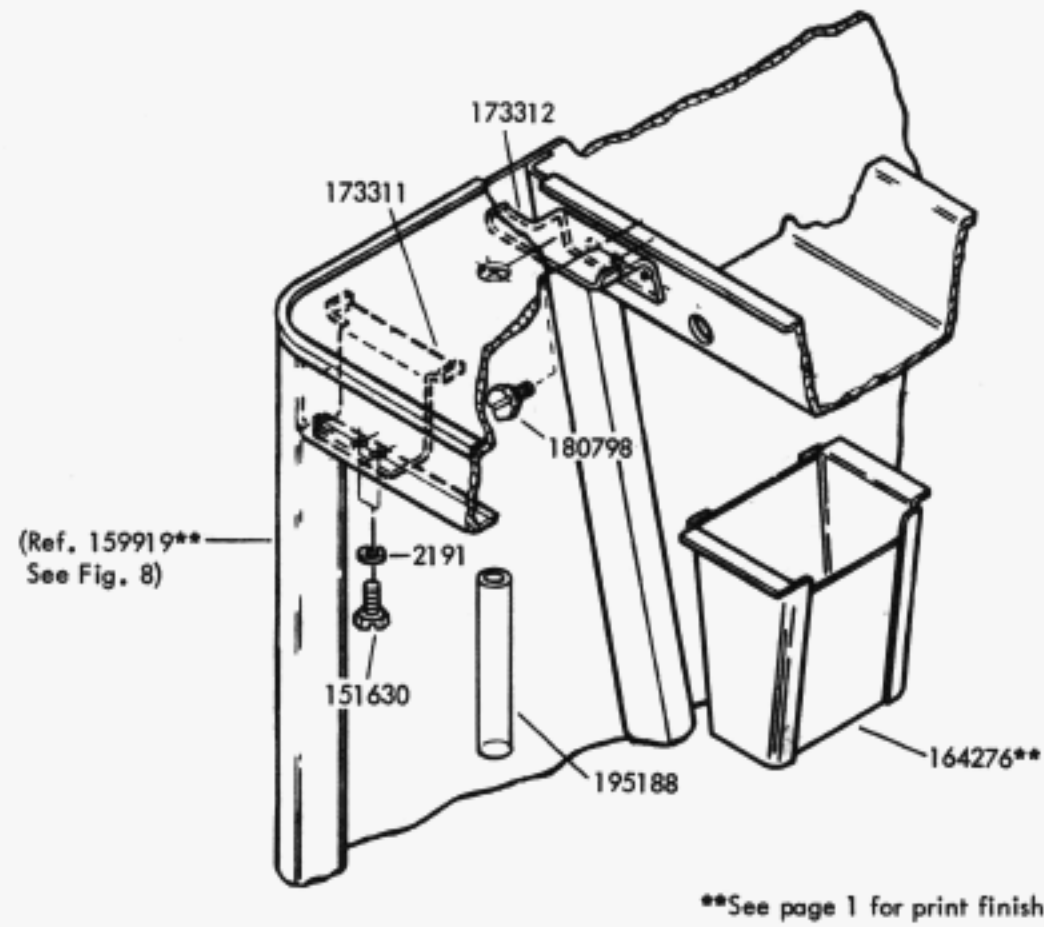


FIGURE 12. 176615** MODIFICATION KIT TO ADAPT BASE AND TABLE
FOR USE WITH FULLY PERFORATED PUNCHES

NUMERICAL INDEX

Part Number	Description and Page Number	Part Number	Description and Page Number	Part Number	Description and Page Number
2191	Washer, Lock 2, 3, 4, 5, 6, 7, 8, 9, 10, 11, 12, 13	145327	Guide 7	158649	Screw, Thumb (4-40) 4
2669	Washer, Lock 2, 5, 6, 7, 11, 12	145328	Mount, Vibration 7	159734	Button 2, 5
3438	Washer, Flat 12	145329	Spacer (.065") 7	159919**	Table Assembly 9, 13
3598	Nut (6-40 Hex) 2, 3, 4, 5, 12	145331	Strap 7	159941	Handle 2
3599	Nut (4-40 Hex) 4	145337	Pad, Left Side 5	159943	Bracket, Window 2
3606	Nut (6-40 Hex) 2, 3, 4, 5, 8	145338	Pad, Rear 5	159944	Window, Plastic 2
3639	Washer, Lock 9, 12	145339	Pad, Right Side 5	159945	Washer, Friction 2
3640	Washer, Lock 3, 5, 10, 11	145342	Screw (1/4-32 Spl) 7	159946	Arm 2
4326	Spring 2, 5	145345	Bolt, Latch W/Lever 7	159948**	Cover W/Bracket 2
6345	Nut (6-32 Hex) 2, 4	145346	Lever, Reset 7	159949**	Lid W/Hinge 2
7002	Washer, Flat 2, 4, 5, 6, 7, 8, 12	150711	Washer, Flat 3	159953	Plate, Tape Guide 2
7415	Nut (1/2-32 Hex) 6	151229	Washer, Flat 7	160664	Pin, Roll 2, 5
8333	Screw (10-32 x 3/8 Rd) 12	151335	Stud 9, 10, 11, 12	160974	Arm, Stop 4, 8
35551	Screw (10-32 x 3/8 Flat) 11	151346	Screw (6-40 x 3/8 Fil) 5	161593	Cable Assembly 5
70314	Washer, Flat 3	151411	Block, Terminal 9, 10, 11, 12	161682	Clip, Cover 2
70720	Screw, Shoulder (10-32) 2, 5, 7	151412	Insulator (1-9) 9, 10, 11, 12	161705	Strike, Fastener 12
71858	Washer, Flat 4, 7, 8	151416	Nut (6-40 Hex) 9, 10, 11, 12	161708	Latch, Magnetic 10, 11, 12
72565	Washer, Lock 6	151534	Screw, Shoulder (10-32) 5	161747	Plate, Nut 12
74077	Screw, Shoulder (10-32) 7	151540	Lampholder 5	161835	Plate, Clamp 5
74479	Bushing 5	151549	Post 6	161934	Window, Plastic 5
74594	Ring, Retaining 9	151555	Foot, Mounting 9, 10, 11, 12	161935	Frame, Window 5
74807	Nut (10-32 Hex) 2, 5, 11	151558	Nut, Speed 2	161936	Latch W/Link 5
75606	Spring 2	151616	Screw, Self-Tapping (#2) 9, 10, 11, 12	161937	Latch W/Link 5
76099	Washer, Flat 2	151630	Screw (6-40 x 1/4 Hex) 2, 4, 5, 7, 9, 10, 11, 12, 13	161939	Bracket, Guide 6
76422	Spring 5	151631	Screw (6-40 x 5/16 Hex) 2, 4, 6, 12	161940	Window, Front 5
76461	Washer, Flat 5	151632	Screw (6-40 x 3/8 Hex) 12	161941	Window, Side 5
83876	Bracket, Spring 5	151637	Screw (4-40 x 1/4 Fil) 5	161943	Plate 5
85762	Washer, Flat 8	151657	Screw (6-40 x 1/4 Fil) 9	161944	Bracket, Hinge 5
87993	Screw (6-40 x 5/32 Fil) 5	151658	Screw (6-40 x 5/16 Fil) 2	161945	Copyholder 5
88780	Screw (4-40 x 3/16 Hex) 5	151685	Screw (4-40 x 5/16 Fil) 3, 5, 10, 11, 12	161949	Mount Assembly, Vibration 6
88857	Washer, Spring 2	151722	Screw (6-40 x 3/16 Hex) 2	161952**	Plate 6
91742	Nut, Lock 9, 10, 11, 12	151723	Screw (10-32 x 3/8 Hex) 12	161961	Guide, Line 5
91904	Washer, Flat 5	151724	Screw (10-32 x 5/8 Hex) 12	162189**	Cover W/Latch 2
92151	Connector, Plug (3 Pt) 5	151982	Lamp, Incandescent (6 Volt) 5	162191	Bracket, Guide 2
93001	Washer, Flat 2	152426	Nut, Self-Locking (6-40) 2	162195	Arm, Slide 2
93118	Washer, Lock 5	152441	Washer, Flat 5	162590	Shaft 5
93191	Screw (4-40 x 5/16 Flat) 12	152890	Washer, Flat 12	162846	Modification Kit to Provide Cover Clip 2
93984	Washer, Lock 12	152925	Latch 6	162916	Guide, Lower 3
101633	Washer, Flat 2, 5	152971	Bushing 6	162917	Guide, Upper 3
103092	Connector, Cord 9, 10, 11, 12	152972	Handle W/Studs 6	164102	Bracket, Window 5
104463	Screw (4-40 x 1/4 Hex) 10, 11	152977	Handle 3, 5, 10, 11	164276**	Container, Chad 13
110743	Washer, Lock 5, 12	152993	Screw, Shoulder (10-32) 6	164548**	Panel 10, 11
110822	Screw (10-32 x 13/16 Flat) 11	153021	Spring, Torsion 5	164553	Shaft 10, 11
111017	Screw (6-40 x 5/16 Fil) 5, 9, 10, 11, 12	153022	Bushing 5	164561**	Troy 11
111346	Spring, Compression 4	153023	Handle 3, 5, 10, 11	164562	Slide, Left 11
112626	Nut (10-32 Hex) 6, 12	153034	Shaft Assembly 9	164563	Slide, Right 11
114766	Stud 9	153035**	Panel 9	164569**	Table 10
117743	Roller 11	153036	Shaft 9	164570	Shaft Assembly 10, 11
119652	Ring, Retaining 2	153037	Spring, Compression 9, 10, 11	164571**	Table Assembly 11
119653	Ring, Retaining 4, 8, 12	153039	Handle 9	164763**	Cover W/Hinge 3
119655	Ring, Retaining 6	153442	Screw (10-32 x 1/2 Hex) 6	164875	Pad, Felt 3
121125	Washer, Spring 6	153448	Catch 2	173311	Bracket, Front Guide 13
121243	Clamp, Cable (3/16" ID) 5	153449	Spring, Compression 2	173312	Bracket, Rear Guide 13
121244	Clamp, Cable (1/4" ID) 5	153817	Screw (4-40 x 3/8 Hex) 12	173861	Cart 10
125112	Screw (2-56 x 1/8 Fil) 5	153841	Screw (6-40 x 9/16 Hex) 5	174404	Guide, Tape 2
125171	Screw (10-32 x 1/2 Flat) 7	154326	Cover, Insulating 7	174405	Handle 2
125206	Screw (6-32 x 5/8 Fil) 9, 10, 11, 12	154346	Plate, Instruction 9, 10, 11, 12	174406	Arm 2
125231	Nut (10-32 Hex) 7	154399	Plate, Identification (Bell) 2, 5, 9, 10, 11, 12	174407	Lever 2
125802	Washer, Flat 12	154407	Latch 2, 5	174408	Guide 2
128209	Bumper, Rubber 12	154409**	Plate 9, 12	176089	Gasket, Window 4
128357	Ring, Retaining 9, 10, 11	155083	Lens, Indicator Light 2	176096**	Cover W/Studs 4
142619	Guide, Tape 3	156770	Plate, Identification (Teletype) 2, 3, 5, 9, 10, 11, 12	176097**	Lid 4
142734	Knife, Tape 3	156993	Nut, Speed 2, 3, 5, 9, 10, 11, 12	176098	Fastener 4
145325**	Cover 5			176101	Guide, Tape 4
				176102	Bolt 4
				176103	Window, Plastic 4

NUMERICAL INDEX (Continued)

Part Number	Description and Page Number	Part Number	Description and Page Number	Part Number	Description and Page Number
176104	Window Assembly 4	179122**	Door W/Hinge 12	194432**	Panel 11
176105	Bracket 4	179124	Plate, Latch Mounting 12	194433**	Table Assembly 11
176106	Bracket 4	179125	Bracket, Mounting 12	195132**	Cover 8
176107	Handle 4	179126	Post 12	195133**	Lid, Cover 8
176108	Bracket 4	179127	Chain (Approx. 15" Lg) 12	195134	Clamp 8
176110	Plate, Identification 4	179128	Stud 12	195135	Window, Plastic 8
176615	Modification Kit 13	180798	Screw, Self-Tapping (8-32) 13	195138	Guide, Tape 8
179120**	Table 12	193645**	Plate, Cover 5	195188	Chute, Chad 13
		194431**	Tray 11	199277	Plate, Name (Teletype) 8