

HIGH SPEED TAPE RECEIVER CABINETS (AC) AND MODULES

PARTS

FIGURE	CONTENTS	PAGE	FIGURE	CONTENTS	PAGE
1	Cabinet And Components	2	10	147848 (60 HZ) And 147849 (50 HZ)	
2	Cabinet And Components (Continued)	3		Power Supply (Part Of 147830**, 147831** And 323930 Punch	
3	Front Panel	4		Driver Assemblies See Figure 13)	11
4	147833 Electrical Service Panel	5	11	147850** (60 HZ) 147851** (50 HZ)	
5	Inner Frame And Tape Winder	6		Power Supply (Part of 147840**, 147841**, And 323940 Punch	
6	Chad And Tape Puller Mechanism	7		Driver Assemblies See Figure 13)	12
7	Chad And Tape Puller Mechanism (Continued)	8	12	Frame Assembly	12
8	Punch Mounting Parts	9	13	Punch Driver Assemblies	13
9	Tape Container	10	14	312731** Tape Transport Adaptor Assembly	14
			15	Cable Components	15
			16	Punch Cover	15

PAINT FINISH COLOR CODE CHART (for parts and assemblies requiring a paint finish)												
Color	Finish Suffixes				Color	Finish Suffixes						
	Wrinkle Finish	Smooth Finish	Textured Vinyl	Smooth Vinyl		Wrinkle Finish	Smooth Finish	Textured Vinyl	Smooth Vinyl			
Beige	AA (37)	ET	GC	HC	Gray, Federal	AB (40)	BV	GG	HB (68)			
Beige, Light		EL			Gray, Green		BK	GA (45)		HE		
Beige, Rose		ER			Gray, Light		EJ	HF (46)				
Black		BA (34)			BB		Gray, Covert	EW		GE		
Black, High Gloss							Gray, Olive					
Black, Semi Gloss							Gray, Maritime Deck					
Blue, Aqua							Gray, Oxford					
Blue, Brussels Light		EC			ES		Green, Gray	AB (40)		BK	GA (45)	HD
Blue, Medium							Green, Moss					
Brown, Dark		AD (38)			AC (39)		Ivory	EN		EM	EU	EV
Brown, Light	Fawn	Pink, Rose										
Gray, Beige	AL	BZ	GC	HA	EH	EG						
Gray, Charcoal			GF				Turquoise					
Gray, Dark			GB				White					
									Yellow, Pastel			

The double asterisk (**) denotes a painted part. Suffix to be applied following the part number. Number in parentheses indicates Bell System code.

NOTE:
When ordering parts from this section
prefix each number with the letters TP.

MULTI-COLOR APPARATUS COLOR CODES							
MA		MB		MC		MH	
HG	HC	HE	HB	HD	HB	BJ	EJ

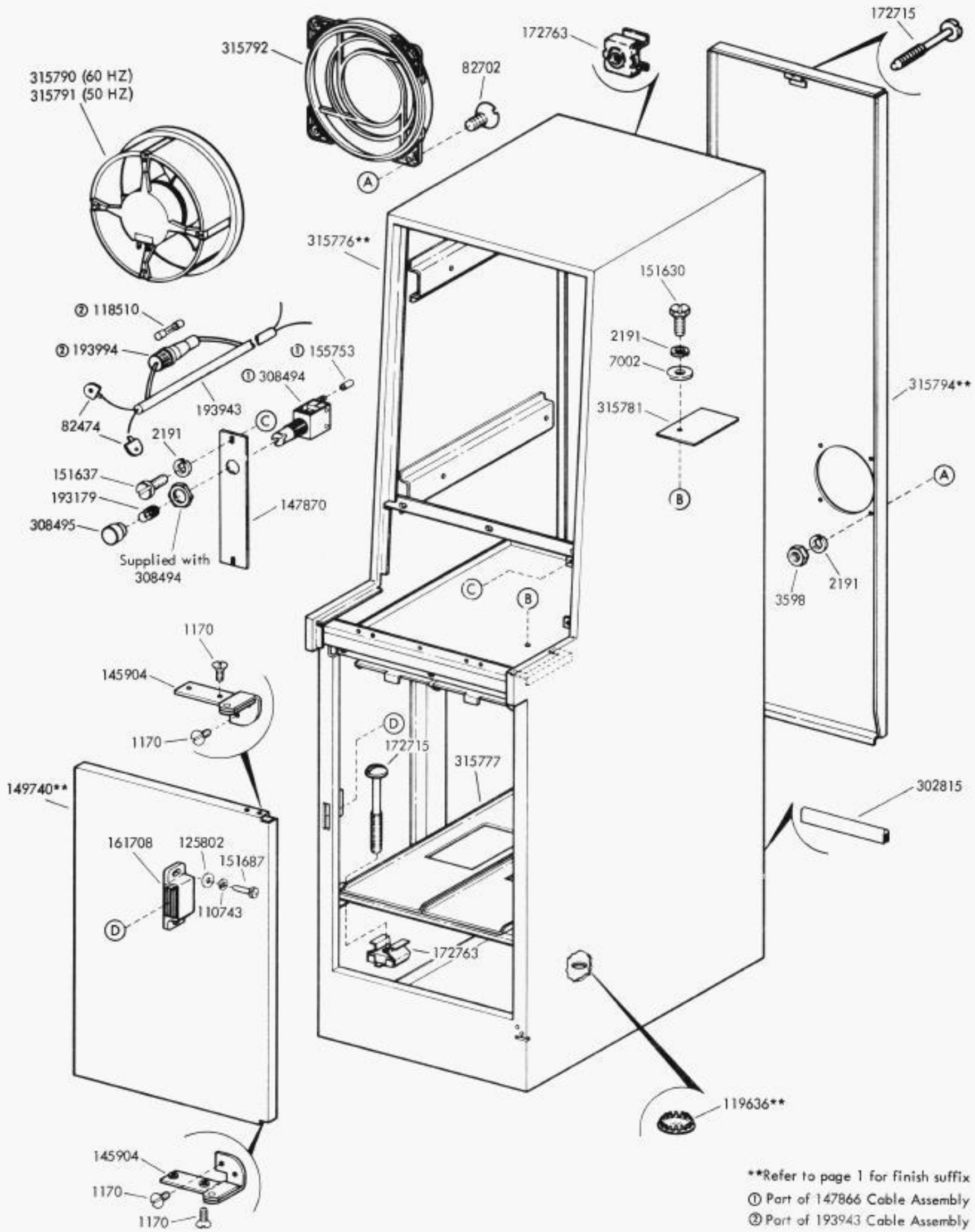
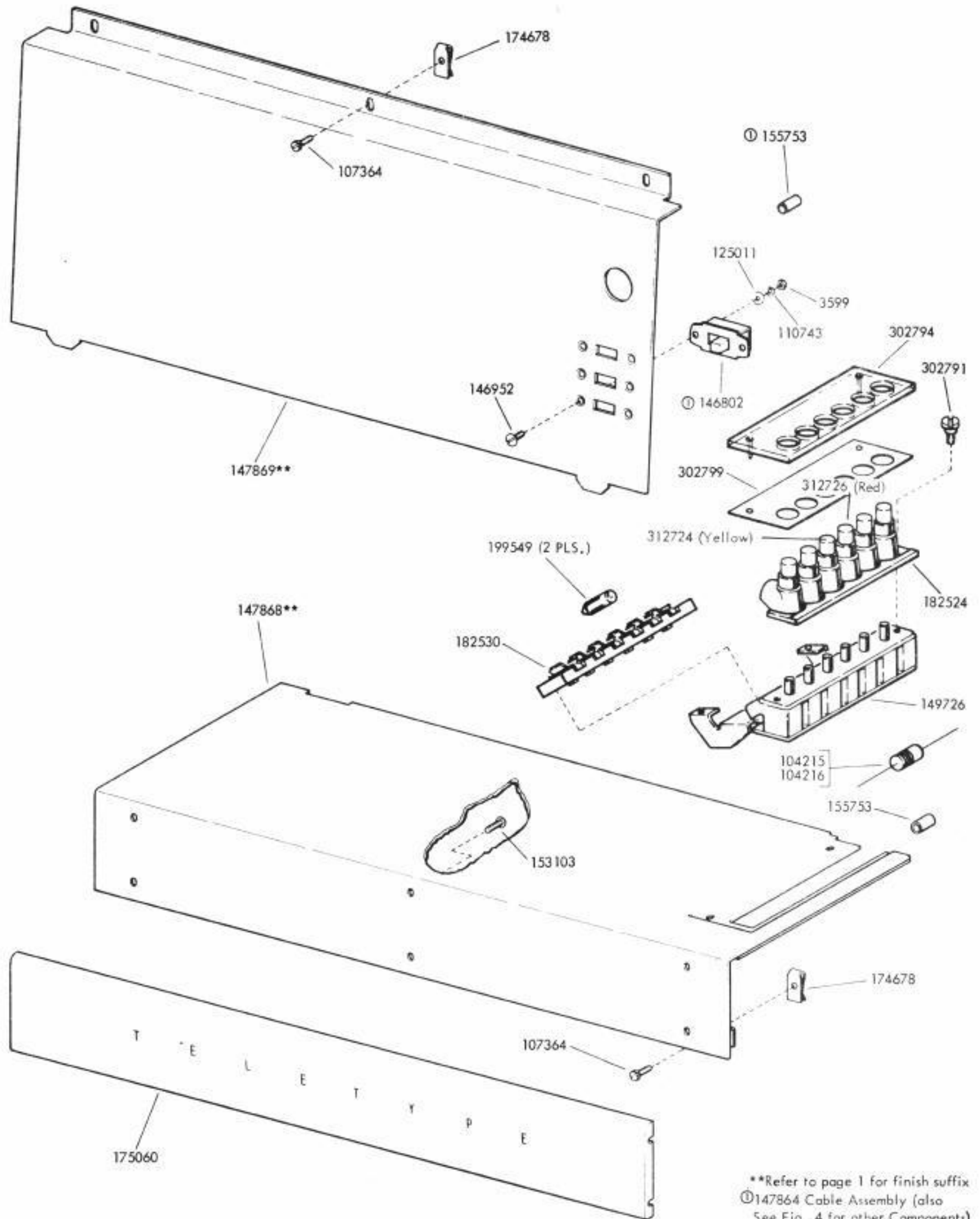
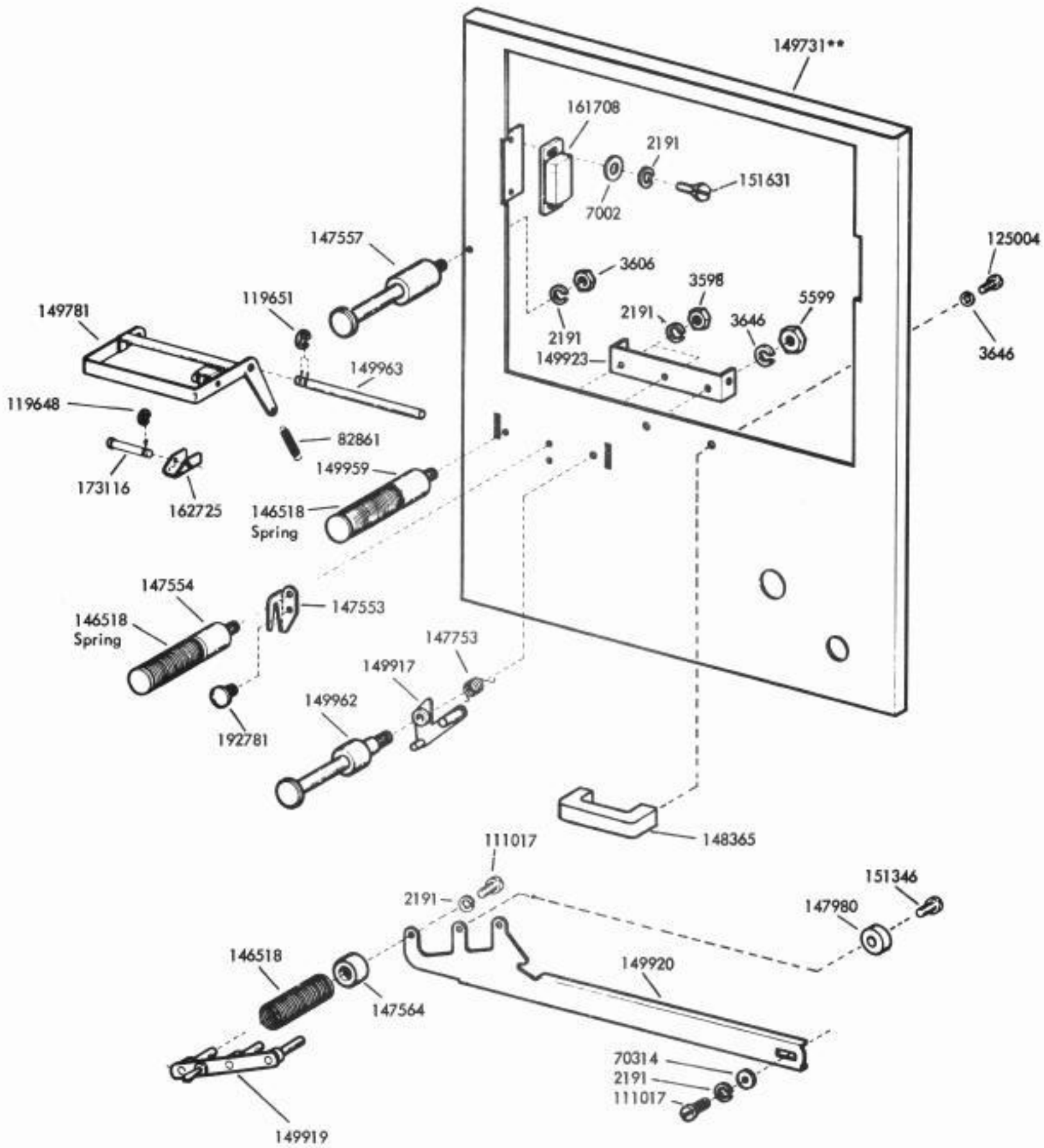


FIGURE 1. CABINET AND COMPONENTS



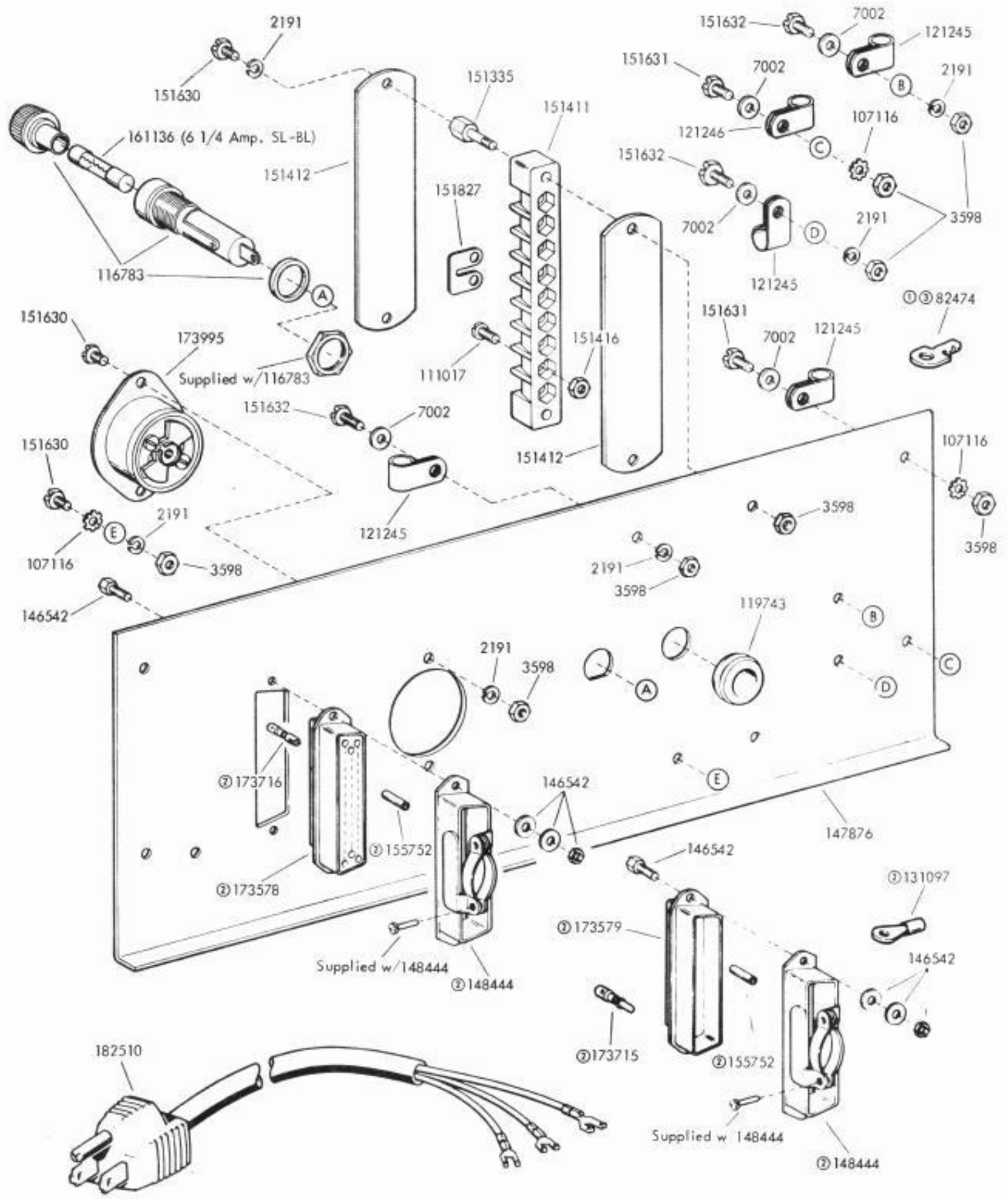
**Refer to page 1 for finish suffix
 ①147864 Cable Assembly (also
 See Fig. 4 for other Components)

FIGURE 2. CABINET AND COMPONENTS (CONTINUED)



**Refer to page 1 for finish suffix

FIGURE 3. FRONT PANEL



- ① 147863 Cable w/Terminals
- ② 147864 Cable Assembly
- ③ 147865 Cable w/Terminals (also See Fig. 2 for other Components)

FIGURE 4. 147833 ELECTRICAL SERVICE PANEL

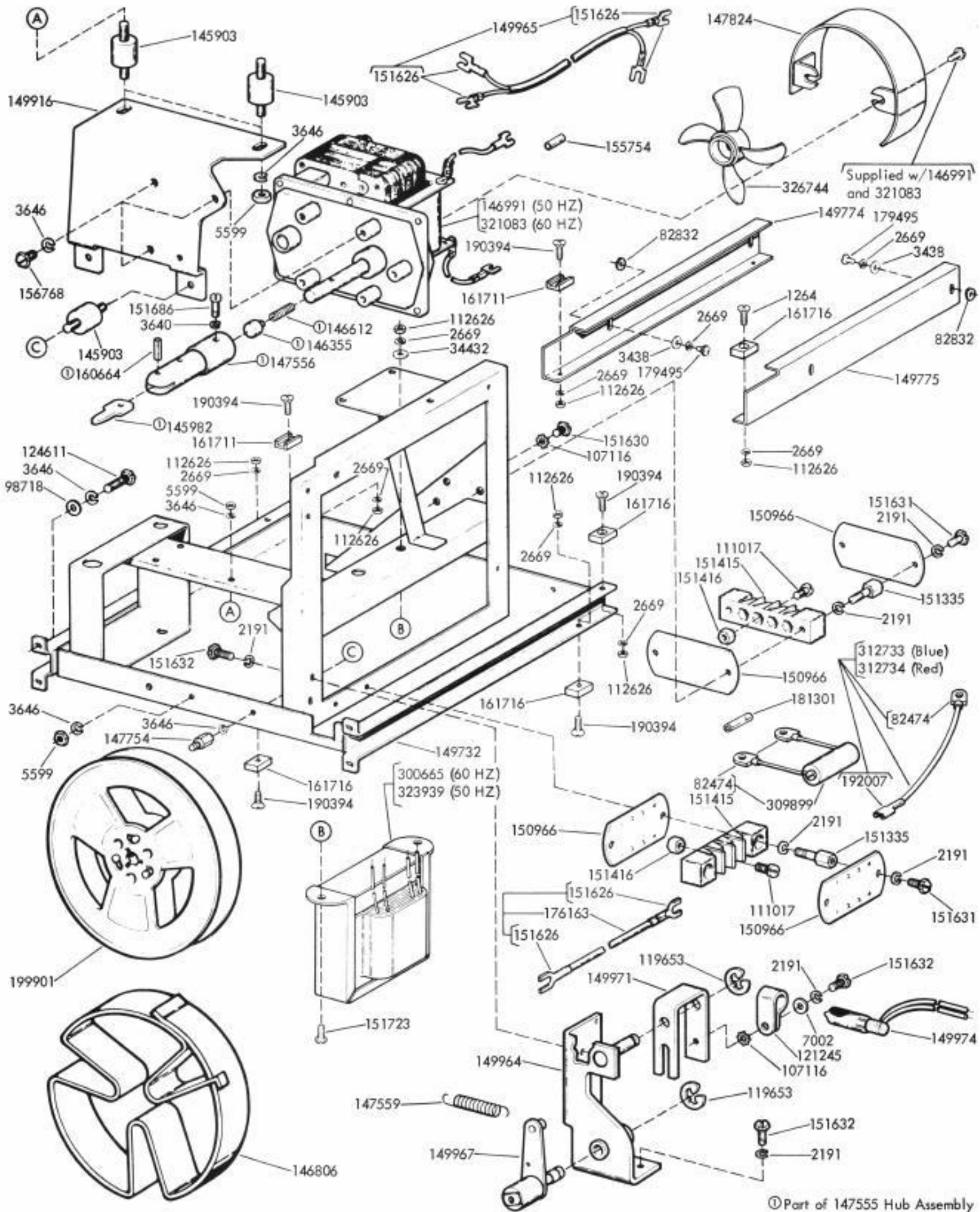


FIGURE 5. INNER FRAME AND TAPE WINDER

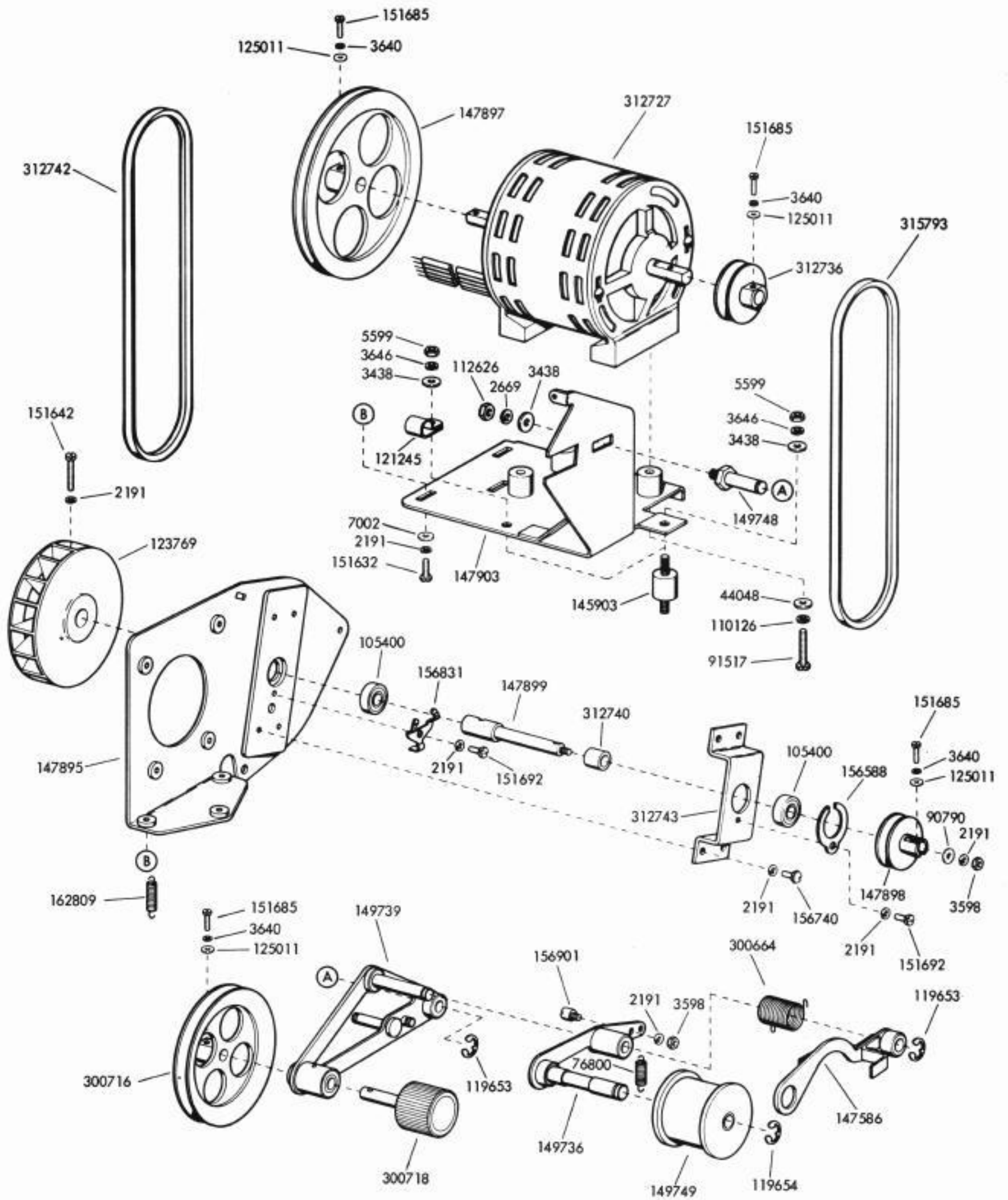


FIGURE 6. CHAD AND TAPE PULLER MECHANISM

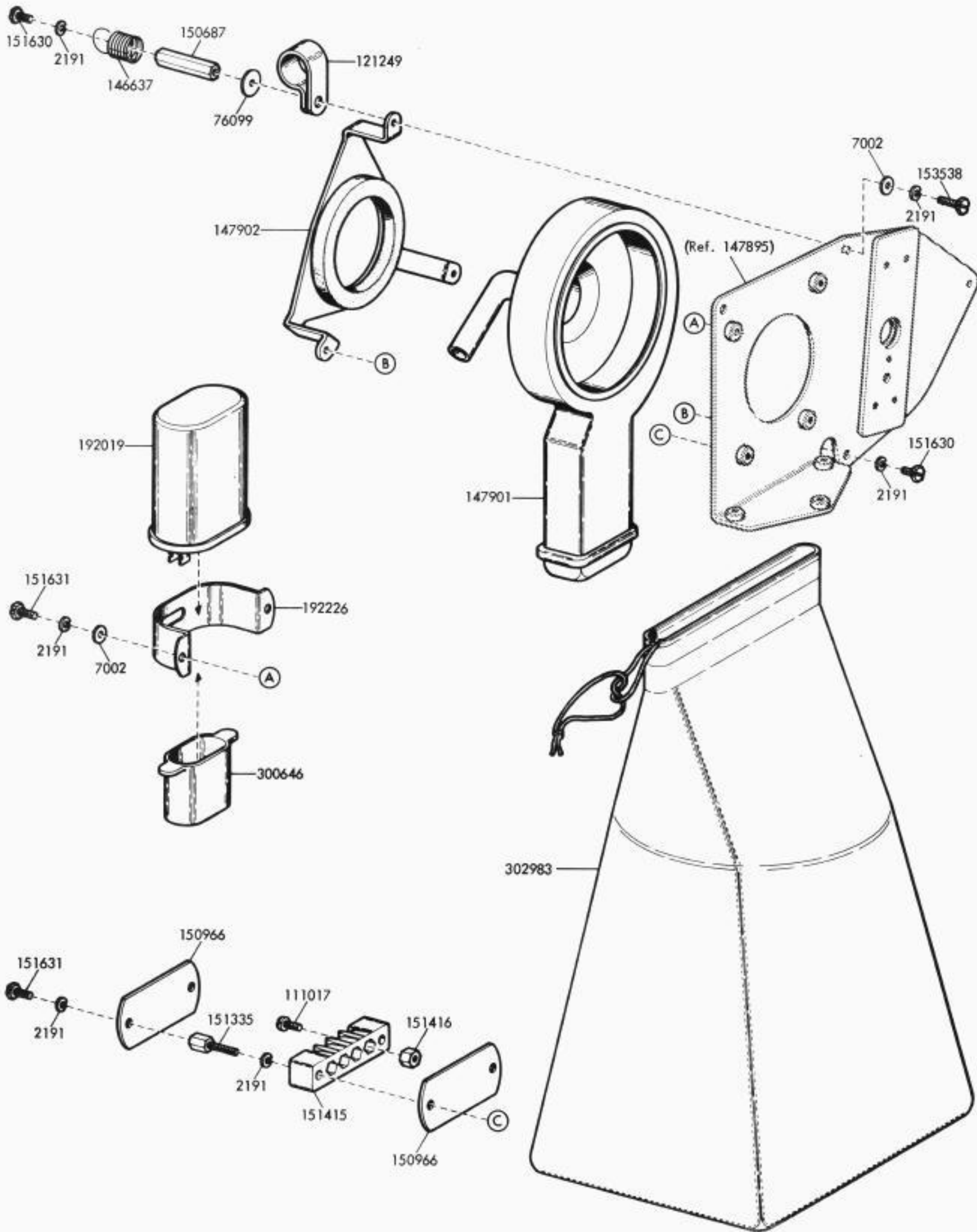


FIGURE 7. CHAD AND TAPE PULLER MECHANISM (CONTINUED)

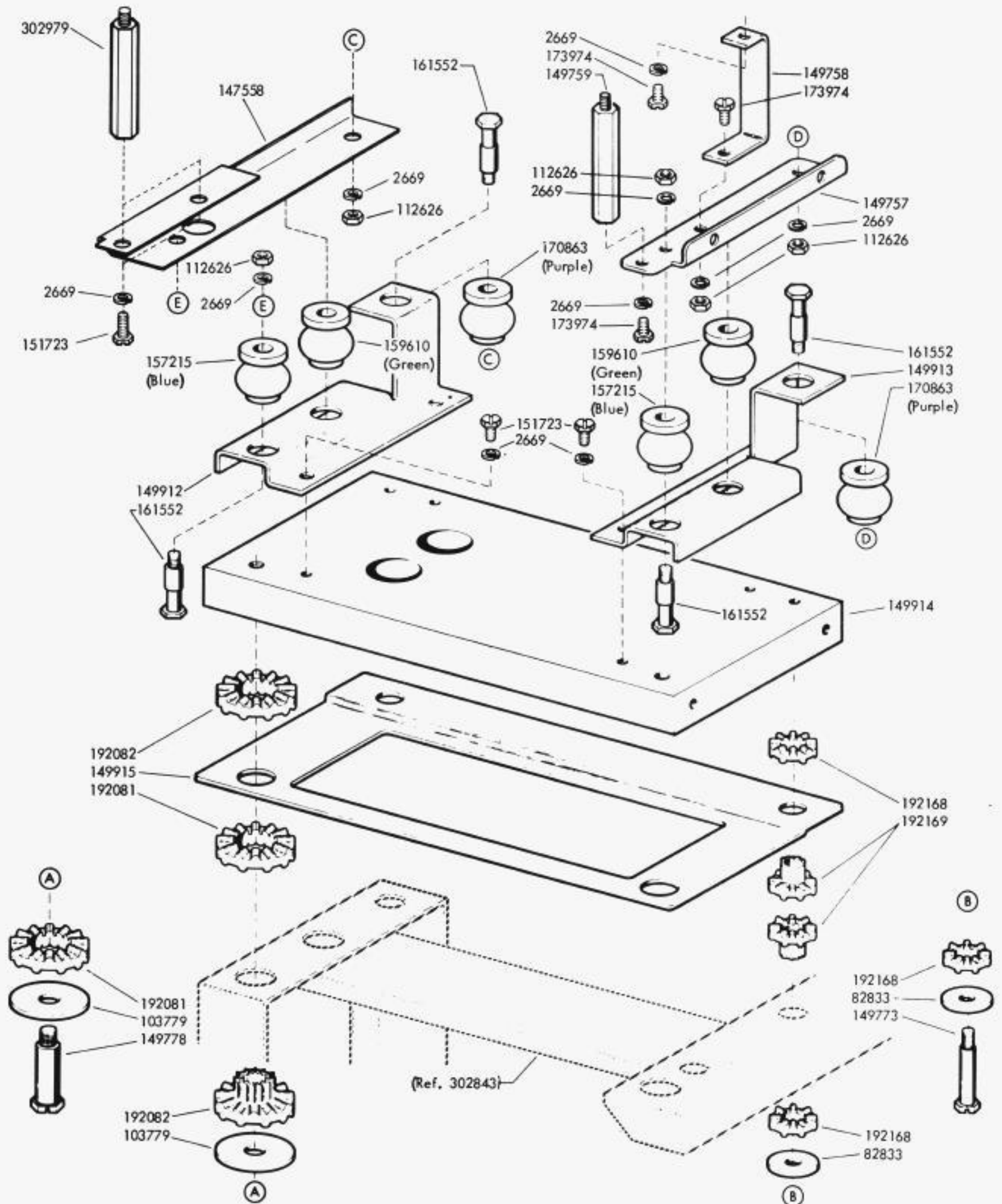


FIGURE 8. PUNCH MOUNTING PARTS

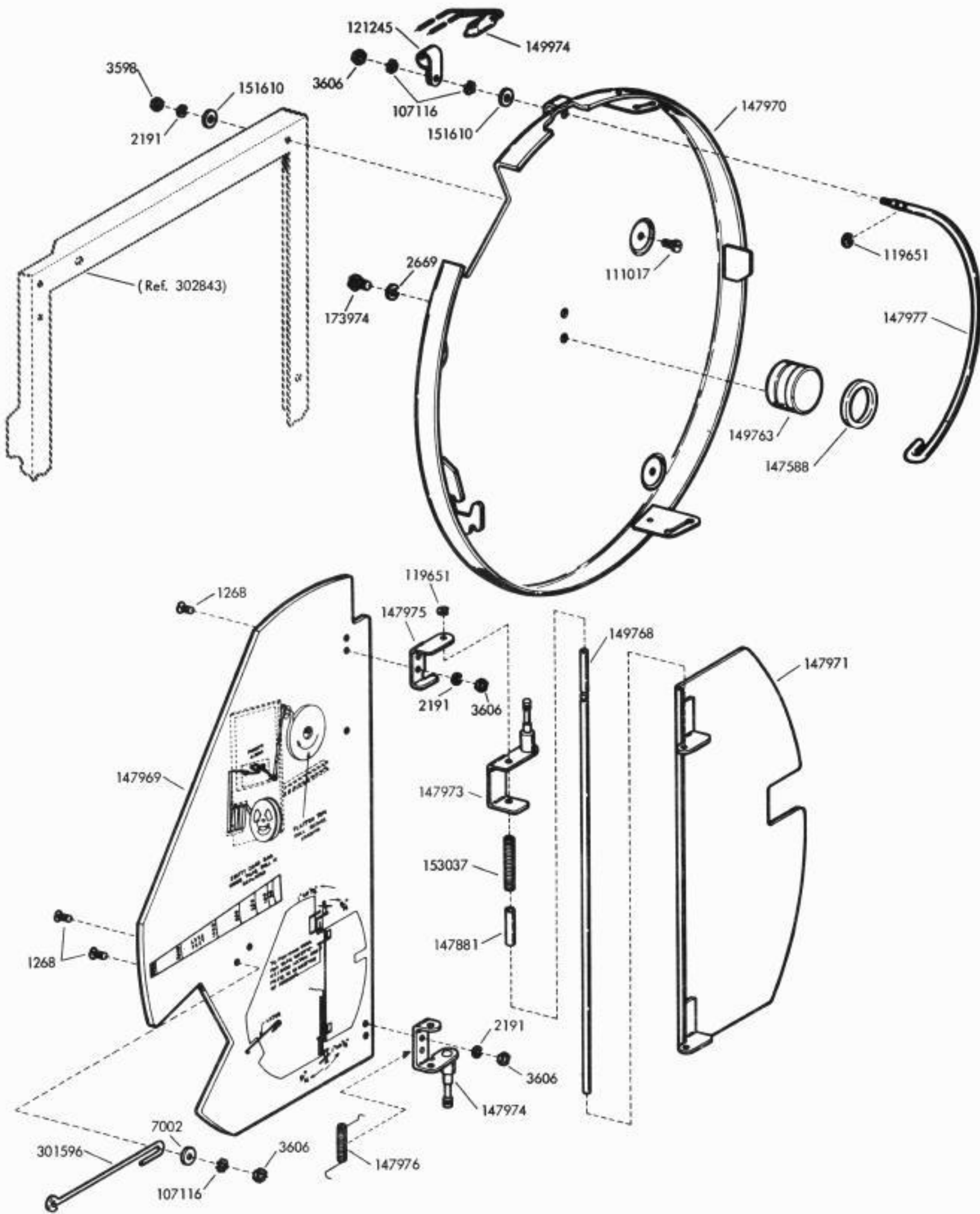
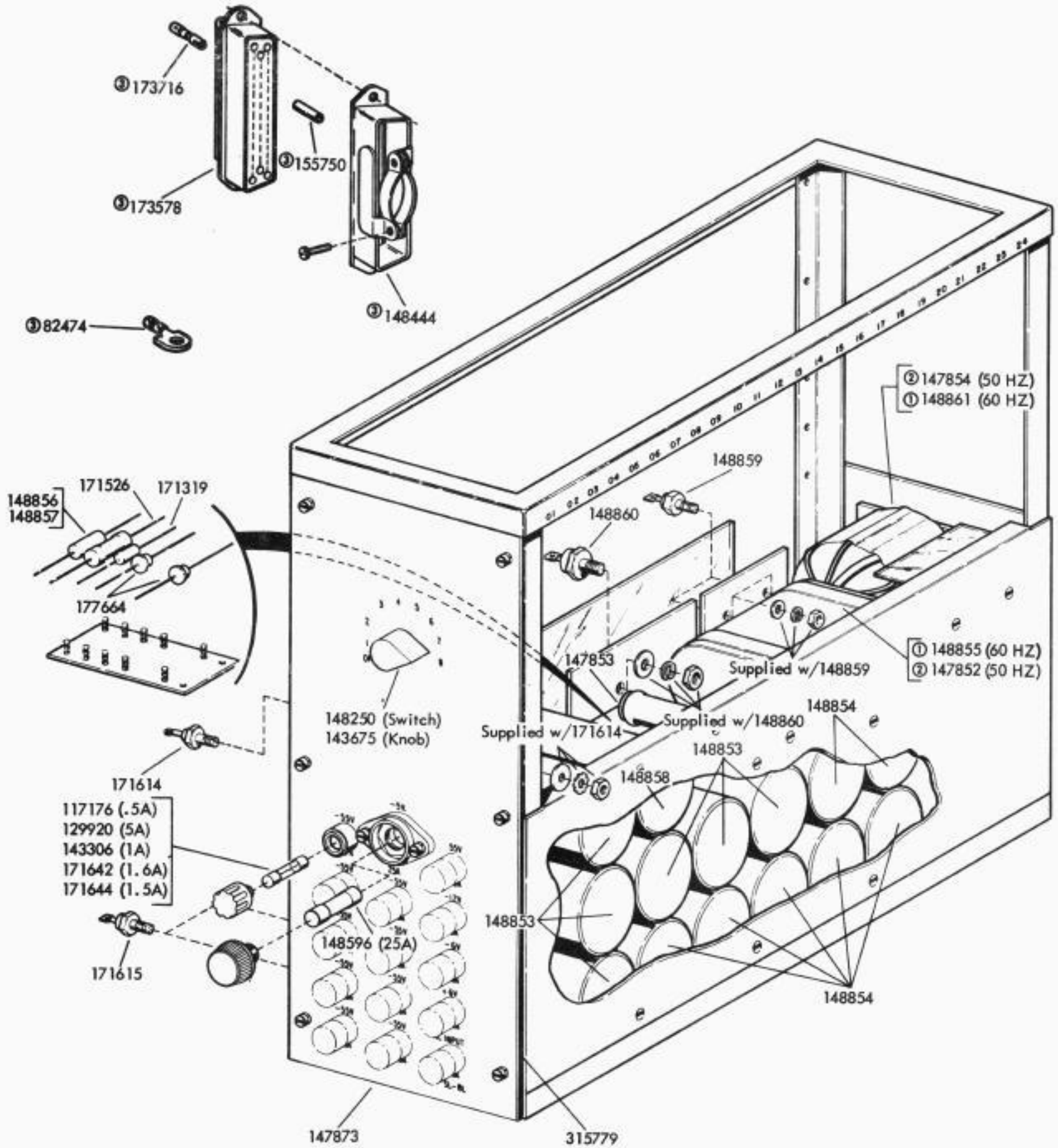


FIGURE 9. TAPE CONTAINER



**Refer to page 1 for finish suffix
 ②147861 Cable Assembly
 ①Part of 147848
 ③Part of 147849

FIGURE 10. 147848 (60 HZ) AND 147849 (50 HZ) POWER SUPPLY (PART OF 147830**, 147831** AND 323930 PUNCH DRIVER ASSEMBLIES SEE FIGURE 13)

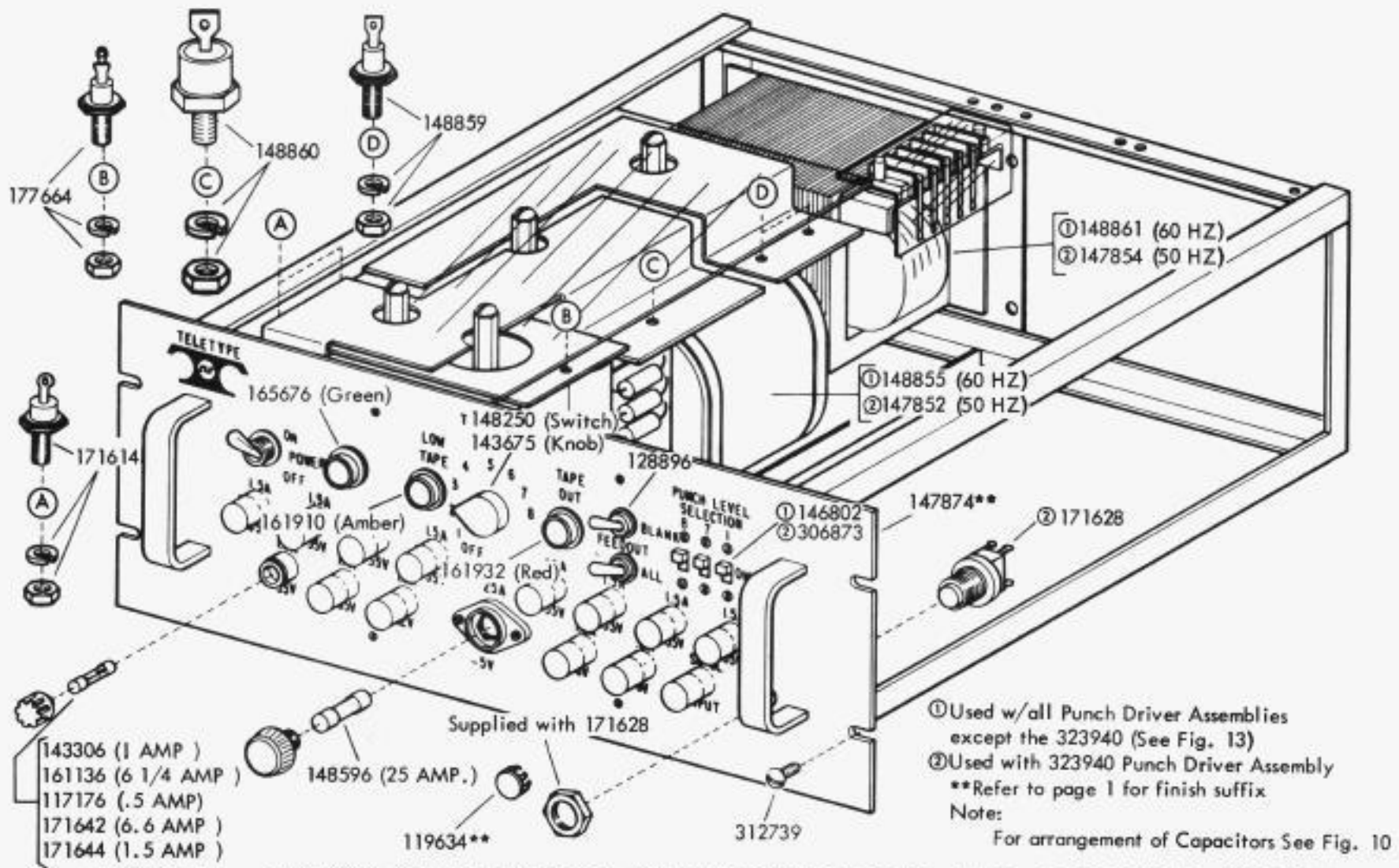


FIGURE 11. 147850** (60 HZ) 147851** (50 HZ) POWER SUPPLY (PART OF 147840**, 147841** AND 323940 PUNCH DRIVER ASSEMBLIES SEE FIGURE 13)

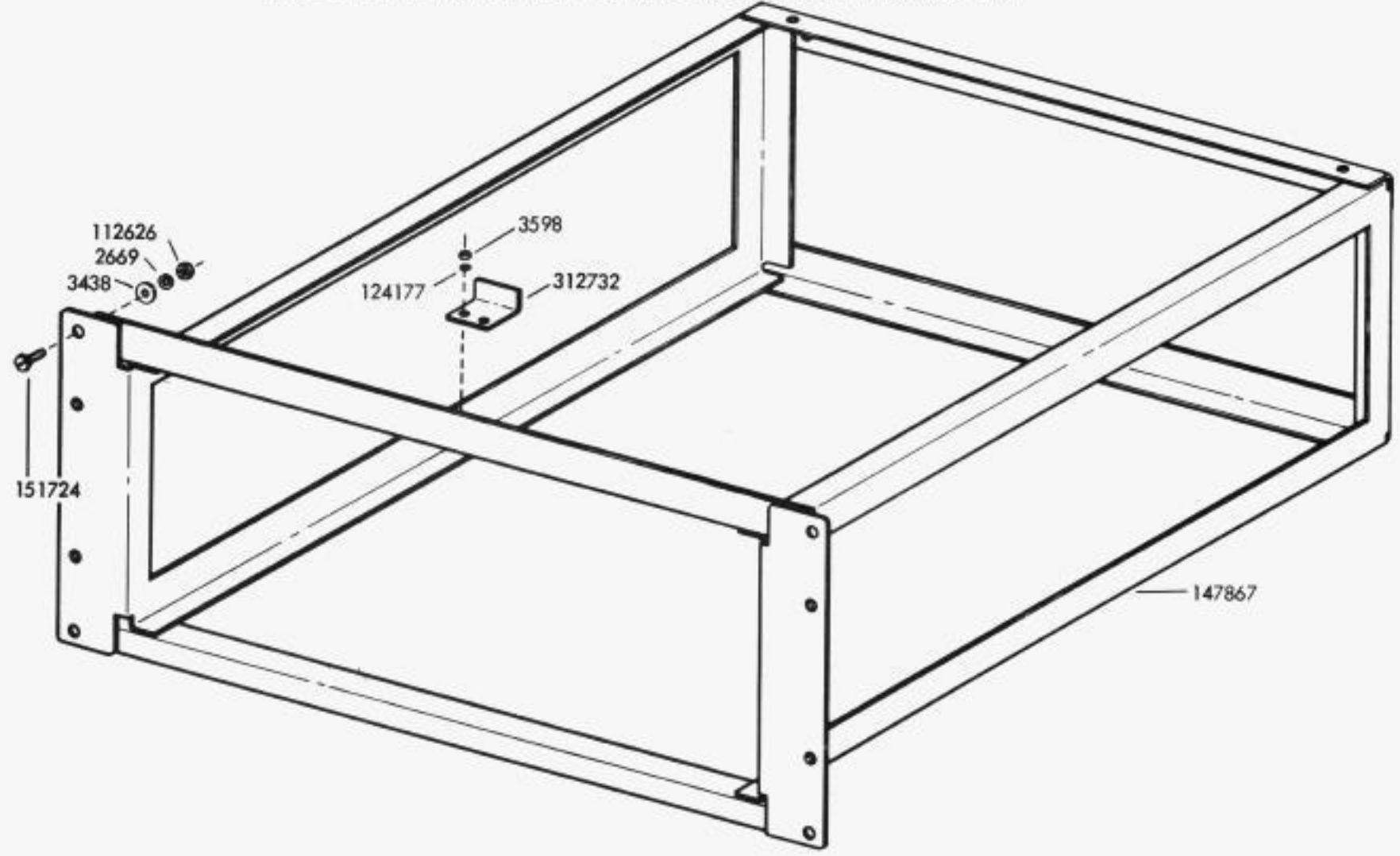


FIGURE 12. FRAME ASSEMBLY

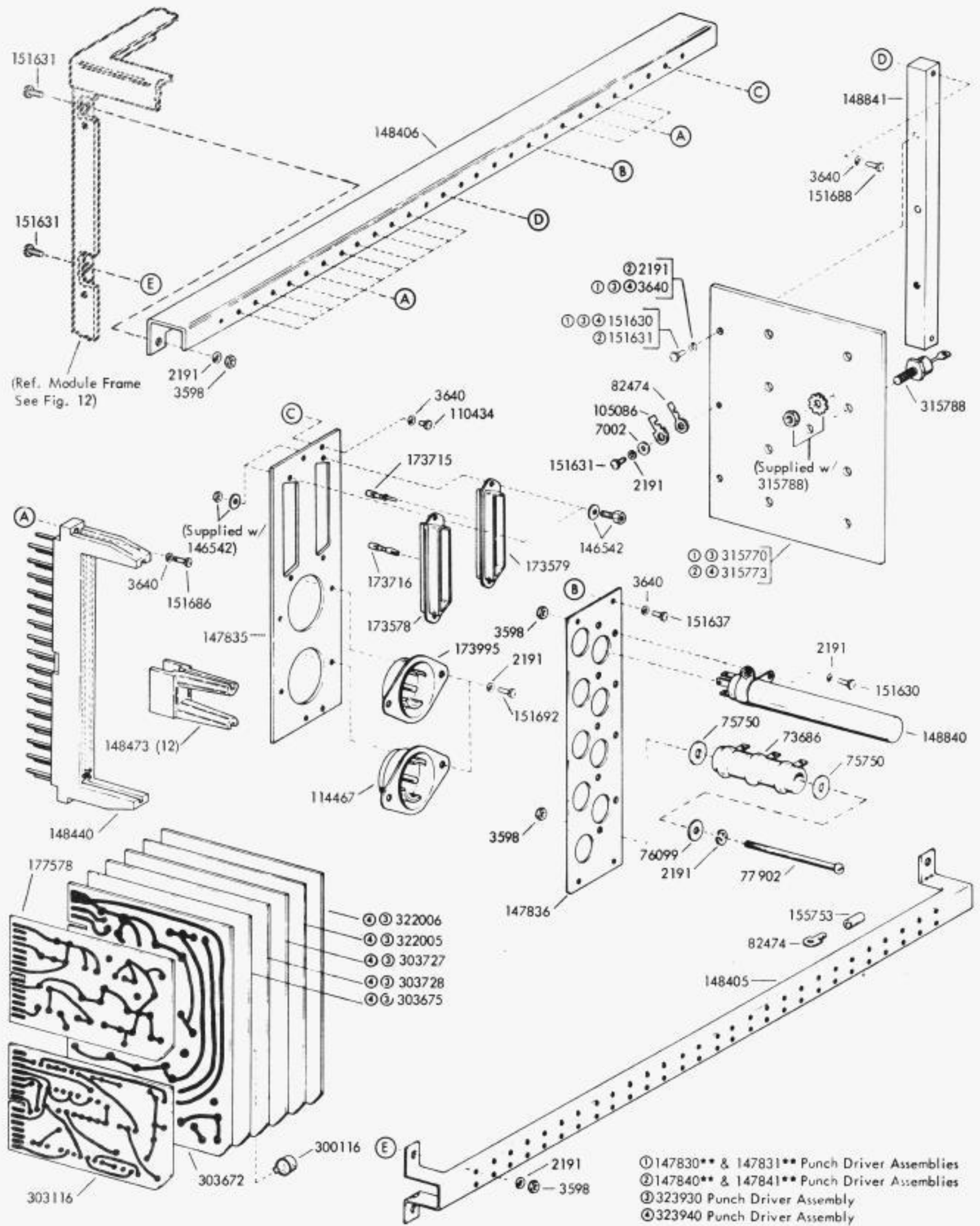
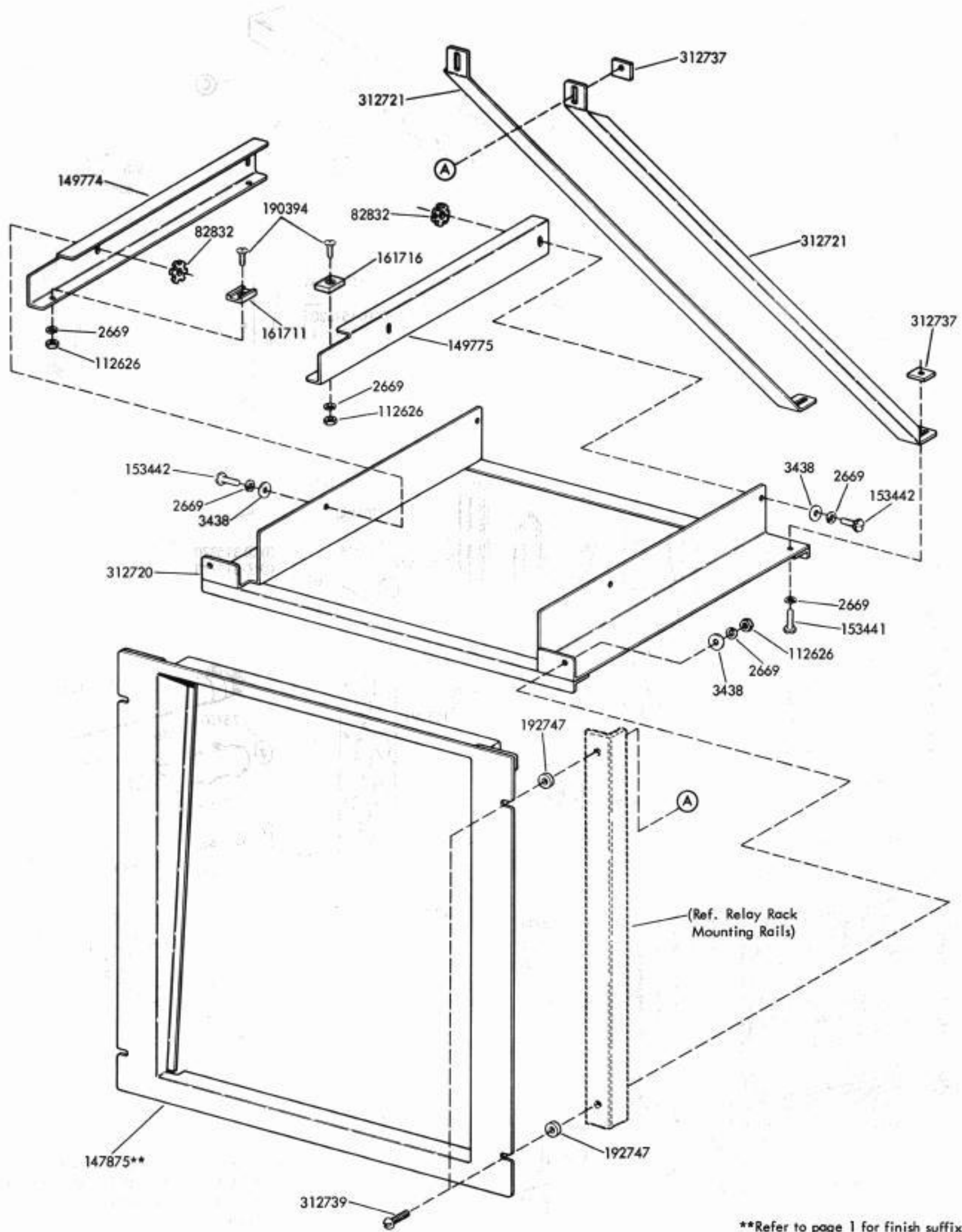


FIGURE 13. PUNCH DRIVER ASSEMBLIES



**Refer to page 1 for finish suffix

FIGURE 14. 312731** TAPE TRANSPORT ADAPTOR ASSEMBLY

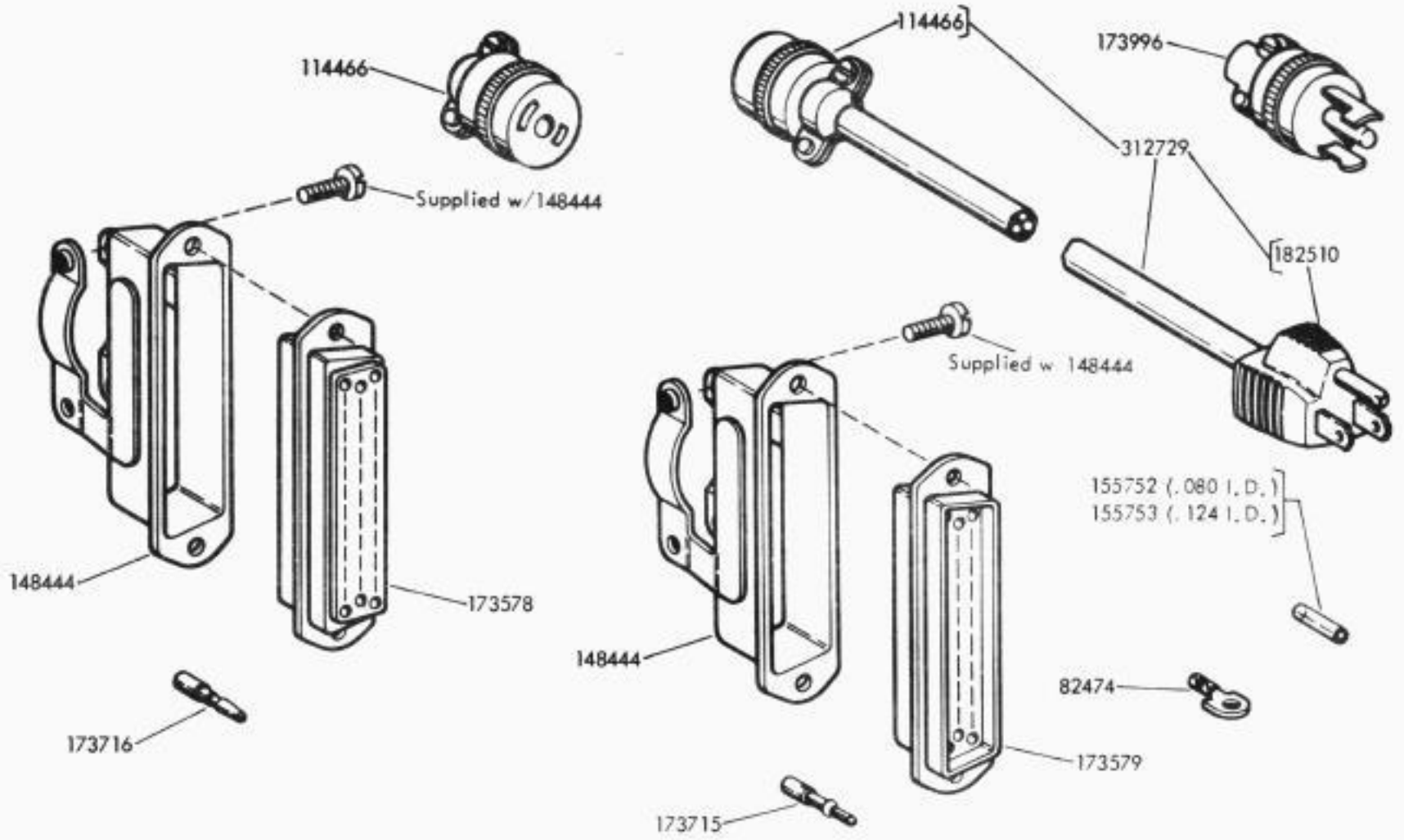


FIGURE 15. CABLE COMPONENTS

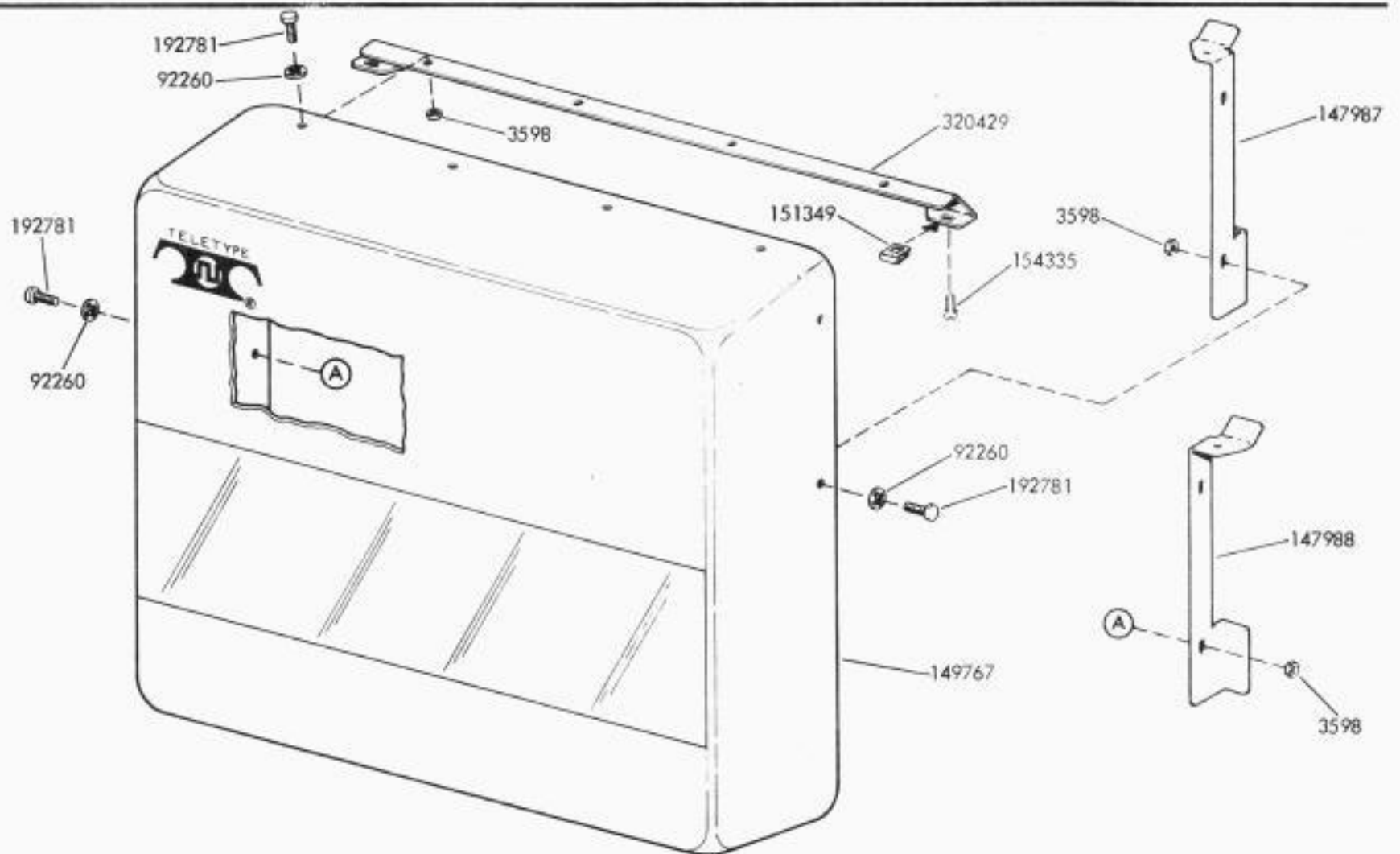


FIGURE 16. PUNCH COVER

NUMERICAL INDEX

Part Number	Description and Page Number	Part Number	Description and Page Number	Part Number	Description and Page Number
1170	Screw, 6-32 x 5/16 Flat 2	125802	Washer, Flat 2	147901	Casing w/Chute, Fan Wheel 8
1264	Screw, 10-32 x 1/2 Flat 6	128896	Switch, Toggle 12	147902	Clamp w/Gasket 8
1268	Screw, 6-40 x 5/16 Flat 10	129920	Fuse, 5 Amp SL-BL 11	147903	Bracket, Motor Mounting 7
2191	Washer, Lock 2, 4 to 8, 10, 13	131097	Terminal, 21/32" Lg 5	147969	Door, Plastic 10
2669	Washer, Lock 6, 7, 9, 10, 12, 14	143306	Fuse, 1 Amp SL-BL 11, 12	147970	Container, Universal Tape 10
3438	Washer, Flat 6, 7, 12, 14	143675	Knob 11, 12	147971	Cover, Rear Tape 10
3598	Nut, 6-40 Hex 2, 4, 5, 7, 10, 12, 13, 15	145903	Mount, Vibration 6, 7	147973	Pivot w/Post, Sliding 10
3599	Nut, 4-40 Hex 3	145904	Hinge, Right 2	147974	Bracket w/Post, Pivot 10
3606	Nut, 6-40 Hex 4, 10	145982	Detent, Tape Reel 6	147975	Bracket, Hinge 10
3640	Washer, Lock 6, 7, 13	146355	Plunger 6	147976	Spring, Torsion 10
3646	Washer, Lock 4, 6, 7	146518	Roller, Spring 4	147977	Arm, Low Tape 10
5599	Nut, 8-32 Hex 4, 6, 7	146542	Post Assembly 5, 13	147980	Button 4
7002	Washer, Flat 2, 4, 5 to 8, 10, 13	146612	Spring, Compression 6	147987	Bracket, Right Strike 15
34432	Washer, Flat 6	146637	Clip, Spring 8	147988	Bracket, Left Strike 15
44048	Washer, Flat 7	146802	Switch, SP-ST Slide 3, 12	148250	Switch, Rotary 11, 12
70314	Washer, Flat 4	146806	Adapter, Tape Reel 6	148365	Handle 4
73686	Resistor, 2,000 Ohm 13	146952	Screw, 4-40 x 3/8 Flat 3	148405	Bracket 13
75750	Washer, Insulating 13	146991	Motor, 115V 50/60 Hz 6	148406	Bracket 13
76099	Washer, Flat 8, 13	147553	Bracket, Guide 4	148440	Connector, 36 Pt Circuit Card 13
76800	Spring 7	147554	Post, Tape Guide 4	148444	Clamp, Cable 5, 11, 15
77902	Screw, 6-40 x 2-3/8 Rd 13	147555	Hub Assembly 6	148473	Guide, Circuit Card 13
82474	Terminal 2, 5, 6, 11, 13, 15	147556	Hub 6	148596	Fuse, 25 Amp SL-BL 11, 12
82702	Screw, 6-40 x 9/32 Flat 2	147557	Post, Tape Guide 4	148840	Resistor, 5 Ohm 13
82832	Washer, Lock 6, 14	147558	Rail, Left 9	148841	Bar, Mounting 13
82833	Washer, Flat 9	147559	Spring 6	148853	Capacitor, 36,000 MFD 11
82861	Spring 4	147564	Bushing 4	148854	Capacitor, 3,750 MFD 11
90790	Washer, Flat 7	147586	Lever w/Hub 7	148855	Capacitor, 6 MFD 11, 12
91517	Screw, 8-32 x 3/4 Rd 7	147588	Sleeve 10	148856	Resistor, 30 Ohm 11
92260	Washer, Lock 15	147753	Spring, Torsion 4	148857	Resistor, 20 Ohm 11
98718	Washer, Flat 6	147754	Post, Spring 6	148858	Capacitor, 10,000 MFD 11
103779	Washer, Flat 9	147824	Shield, Fan 6	148859	Diode 11, 12
104215	Resistor, 620 Ohm 3	147830**	Driver Assembly, Punch 1, 11, 13	148860	Diode 11, 12
104216	Resistor, 820 Ohm 3	147831**	Driver Assembly, Punch 1, 11, 13	148861	Transformer 11, 12
105086	Terminal 13	147833	Panel, Electrical Service 1, 5	149726	Key 3
105400	Bearing, Ball 7	147835	Plate, Connector 13	149731**	Panel, Front 4
107116	Washer, Lock 5, 6, 10	147836	Bracket, Resistor 13	149732	Frame, Inner 6
107364	Screw, 6-32 x 3/8 Fil 3	147840**	Driver Assembly, Punch 1, 12, 13	149736	Lever 7
110126	Washer, Lock 7	147841**	Driver Assembly, Punch 1, 12, 13	149739	Lever 7
110434	Screw, 4-40 x 3/16 Fil 13	147848	Power Supply 1, 11	149740**	Door, Front 2
110743	Washer, Lock 2, 3	147849	Power Supply 1, 11	149748	Post 7
111017	Screw, 6-40 x 5/16 Fil 4, 5, 6, 8, 10	147850**	Power Supply 1, 12	149749	Roller, Tape Feed 7
112626	Nut, 10-32 Hex 6, 7, 9, 12, 14	147851**	Power Supply 1, 12	149757	Rail, Right Mounting 9
114466	Connector, 3 Pt Receptacle 15	147852	Capacitor, 7 MFD 11, 12	149758	Bracket 9
114467	Connector, 3 Pt Plug 13	147853	Resistor, 2,000 Ohm 11	149759	Post 9
116783	Holder, Fuse 5	147854	Transformer 11, 12	149763	Post 10
117176	Fuse, .5 Amp SL-BL 11, 12	147861	Cable Assembly 11	149767	Cover, Plastic 15
118510	Fuse, 1/4 Amp 2	147863	Cable w/Terminals 5	149768	Pin, Hinge 10
119634**	Button, Plug 12	147864	Cable Assembly 3, 5	149773	Screw, 10-32 Shoulder 9
119636**	Button, Plug 2	147865	Cable w/Terminals 5	149774	Channel, Left 6, 14
119648	Ring, Retaining 4	147866	Cable Assembly 2	149775	Channel, Right 6, 14
119651	Ring, Retaining 4, 10	147867	Frame 12	149778	Screw, 1/4-32 Shoulder 9
119653	Ring, Retaining 6, 7	147868**	Panel, Control 3	149781	Bail 4
119654	Ring, Retaining 7	147869**	Panel, Cover 3	149912	Bracket, Left 9
119743	Grommet, Rubber 5	147870	Plate, Switch 2	149913	Bracket, Right 9
121245	Clamp, 5/16 ID Cable 5, 6, 7, 10	147873	Plate, Front 11	149914	Plate, Vibration Dampener 9
121246	Clamp, 3/8 ID Cable 5	147874**	Panel, Front 12	149915	Plate, Support 9
121249	Clamp, 5/8 ID Cable 8	147875**	Panel, Front 14	149916	Bracket, Motor Mounting 6
123769	Fan, Motor 7	147876	Bracket, Mounting 5	149917	Latch 4
124177	Washer, Lock 12	147881	Sleeve 10	149919	Plate w/Posts 4
124611	Screw, 8-32 x 3/8 Hex 6	147895	Bracket w/Plate 7, 8	149920	Arm, Tape Sensing 4
125004	Screw, 8-32 x 1/4 Rd 4	147897	Pulley 7	149923	Bracket 4
125011	Washer, Flat 3, 7	147898	Pulley 7	149959	Post, Tape Guide 4
		147899	Shaft 7	149962	Post, Tape Guide 4
				149963	Pin 4
				149964	Bracket 6
				149965	Cable w/Terminals 6
				149967	Lever w/Shaft 6

**Refer to page 1 for finish suffix

NUMERICAL INDEX (Continued)

Part Number	Description and Page Number	Part Number	Description and Page Number	Part Number	Description and Page Number
149971	Bail 6	161932	Cap, Red 12	300718	Driver, Roller 7
149974	Switch, Mercury 6, 10	162725	Depressor, Chad 4	301596	Latch, Door 10
150687	Stud 8	162809	Spring 7	302791	Screw, 4-40 Shoulder 3
150966	Insulator, Terminal 6, 8	165676	Cap, Green 12	302794	Holder, Plastic 3
151335	Stud 5, 6, 8	170863	Mount, Vibration 9	302799	Label 3
151346	Screw, 6-40 x 3/8 Fil 4	171319	Resistor, 50 Ohm 11	302815	Strip, Rubber 2
151349	Nut, Speed 15	171526	Resistor, 1,500 Ohm 11	302843	Frame, Inner 9, 10
151411	Block, Terminal 5	171614	Diode 11, 12	302979	Post 9
151412	Insulator, Terminal 5	171615	Diode 11	302983	Bag, Chad 8
151415	Block, Terminal 6, 8	171628	Switch, No Red Pushbutton 12	303116	Card, EC116 Circuit 13
151416	Nut, 6-40 Hex 5, 6, 8	171642	Fuse, 1.6 Amp SL-BL 11, 12	303672	Card, EC672 Circuit 13
151610	Washer, Flat 10	171644	Fuse, 1.5 Amp 11, 12	303675	Card, EC675 Circuit 13
151626	Terminal 6	172715	Screw, 10-24 Captive 2	303727	Card, Circuit 13
151630	Screw, 6-40 x 1/4 Hex 2, 5, 6, 8, 13	172763	Nut, Grip 2	303728	Card, Circuit 13
151631	Screw, 6-40 x 5/16 Hex 4, 5, 6, 8, 13	173116	Pin 4	306873	Switch, DP-DT Slide 12
151632	Screw, 6-40 x 3/8 Hex 5, 6, 7	173578	Connector, 50 Pt Receptacle Type 5, 11, 13, 15	308494	Switch, Pushbutton 2
151637	Screw, 4-40 x 1/4 Fil 2, 13	173579	Connector, 50 Pt Plug Type 5, 13, 15	308495	Lens, White 2
151642	Screw, 6-40 x 3/4 Fil 7	173715	Terminal, Plug Type 5, 13, 15	309899	Network, Spark Suppression 6
151685	Screw, 4-40 x 5/16 Fil 7	173716	Terminal, Receptacle Type 5, 11, 13, 15	312720	Adapter, Tape Transport 14
151686	Screw, 4-40 x 3/8 Fil 6, 13	173974	Screw, 10-32 x 5/16 Hex 9, 10	312721	Bracket, Support 14
151687	Screw, 4-40 x 7/16 Fil 2	173995	Connector, 3 Pt Receptacle 5, 13	312724	Button, Yellow 3
151688	Screw, 4-40 x 5/8 Fil 13	173996	Connector, 3 Pt Plug 15	312726	Button, Red 3
151692	Screw, 6-40 x 3/16 Fil 7, 13	174678	Nut, Speed 3	312727	Motor 7
151723	Screw, 10-32 x 3/8 Hex 6, 9	175060	Plate, Nome 3	312729	Cord Assembly, Power 15
151724	Screw, 10-32 x 5/8 Hex 12	176163	Jumper, 18" Black 6	312731**	Adapter Assembly, Tape Transport 1, 14
151827	Strap, Terminal 5	177578	Card, EC578 Circuit 13	312732	Bracket, Stop 12
153037	Spring 10	177664	Diode 11, 12	312733	Jumper, 3-1/2" Blue 6
153103	Screw, 4-40 Self-Tapping 3	179495	Screw, 10-24 x 1/2 Hex 6	312734	Jumper, 3-1/2" Red 6
153441	Screw, 10-32 x 7/16 Hex 14	181301	Sleeve, 15/64 ID x 1" Lg Insulating 6	312736	Pulley 7
153442	Screw, 10-32 x 1/2 Hex 14	182510	Card, Power 5, 15	312737	Plate, Nut 14
153538	Screw, 6-40 x 7/16 Hex 8	182524	Button Assembly 3	312739	Screw, 10-32 x 5/8 Rd 12, 14
154335	Screw, 6-40 x 9/32 Fil 15	182530	Strip Assembly, Lamp 3	312740	Spacer 7
155750	Sleeve, 3/32 ID x 1/2" Lg Insulating 11	190394	Screw, 10-32 x 1/2 Flat 6, 14	312742	Belt, V 7
155752	Sleeve, 5/64 ID x 1/2" Lg Insulating 5, 15	192007	Terminal, Tab Type 6	312743	Bracket, Bearing 7
155753	Sleeve, 1/8 ID x 1/2" Lg Insulating 2, 3, 13, 15	192019	Capacitor, 3 MFD 8	315770	Plate, Diode 13
155754	Sleeve, 1/16 ID x 1/2" Lg Insulating 6	192081	Ring 9	315773	Plate, Diode 13
156588	Ring, Retaining 7	192082	Bushing 9	315776**	Cabinet 2
156740	Screw, 6-40 x 7/32 Hex 7	192168	Ring 9	315777	Rock, Lower 2
156768	Screw, 8-32 x 9/32 Hex 6	192169	Bushing 9	315779	Spacer, Strip 11
156831	Clamp 7	192226	Bracket, Capacitor Mounting 8	315781	Plate, Isolator 2
156901	Post, Eccentric 7	192747	Spacer, .125" Thk 14	315788	Rectifier 13
157215	Mount, Vibration 9	192781	Screw, 6-40 Spl 4, 15	315790	Fan 2
159610	Mount, Vibration 9	193179	Lamp 28V 2	315791	Fan 2
160664	Pin, Roll 6	193943	Cable Assembly 2	315792	Grille 2
161136	Fuse, 6-1/4 Amp SL-BL 5, 12	193994	Holder Assembly, Fuse 2	315793	Belt, V 7
161552	Screw, 10-32 Spl 9	199549	Lamp, 48V 3	315794**	Panel, Rear 2
161708	Latch, Magnetic 2, 4	199901	Reel, Tape 6	320429	Bracket, Retaining 15
161711	Block, Guide 6, 14	300116	Cover, Insulating 13	321083	Motor 6
161716	Block, Support 6, 14	300646	Boot, Rubber 8	322005	Card, Circuit 13
161910	Cap, Amber 12	300664	Spring, Torsion 7	322006	Card, Circuit 13
		300665	Transformer 6	323930	Driver Assembly, Punch 1, 11, 13
		300716	Pulley, V Belt 7	323939	Transformer 6
				323940	Driver Assembly, Punch 1, 12, 13
				326744	Fan, Motor 6

**Refer to page 1 for finish suffix.