

BULLETIN 1077B  
SUPERSEDES AUGUST,  
1954 ISSUE

# TELETYPE

PRINTING TELEGRAPH SYSTEMS

BULLETIN 1077B

PARTS

METAL TABLES

**TELETYPE**  
REG. U.S. PAT. OFF.  
CORPORATION  
SUBSIDIARY OF  
*Western Electric Company*  
CHICAGO, U.S.A.

BULLETIN 1077B  
SUPERSEDES AUGUST,  
1954 ISSUE

# TELETYPE

PRINTING TELEGRAPH SYSTEMS

BULLETIN 1077B

PARTS

METAL TABLES



**ATTENTION - BELL SYSTEM ONLY**  
WHEN ORDERING PARTS FROM THIS BULLETIN, EACH NUMBER SHOULD BE  
PRECEDED BY THE LETTERS TP, WITHOUT PARENTHESES, IN ORDER TO  
IDENTIFY THE ITEM AS ONE TO BE SECURED FROM THE TELETYPE CORPORATION.

LIST OF EFFECTIVE PAGES  
SEPTEMBER, 1955  
(Supersedes August, 1954 issue)

PAGE NUMBER	CHANGE IN EFFECT	PAGE NUMBER	CHANGE IN EFFECT
TITLE PAGE A AND B I TO 50	ORIGINAL ORIGINAL ORIGINAL		

The above list indicates the effective pages as of the date of issue. Upon receipt of change pages, insert them numerically and discard any superseded pages.

## TABLE OF CONTENTS

MODEL 14 EQUIPMENT TABLES	PAGE
Perforator Set	23, 24
Reperforator Set	1
Reperforator Transmitter Distributor Set	2, 3, 4, 6, 25, 26
MODEL 15 EQUIPMENT TABLES	
Page Printer Set	1, 2, 7, 8, 9, 11, 12, 13
Tape Transmission Duplex Set	10, 14
MODEL 19 EQUIPMENT TABLES	
Page Printer Set	4, 5, 15, 16, 17, 18, 19, 20, 21, 22
MODEL 20 EQUIPMENT TABLE	
Perforator Transmitter Distributor Set (6-unit code)	27
ACCESSORIES	7, 39, 40, 41, 42, 43, 44
ELECTRICAL FITTINGS	38
ELECTRICAL SERVICE ASSEMBLIES	30, 31, 32, 33, 34, 35, 36, 37
SILENCING PADS	28
TRANSMITTER DISTRIBUTOR MOUNTING PLATE ASSEMBLY	29
NUMERICAL INDEX	45, 46, 47, 48, 49, 50

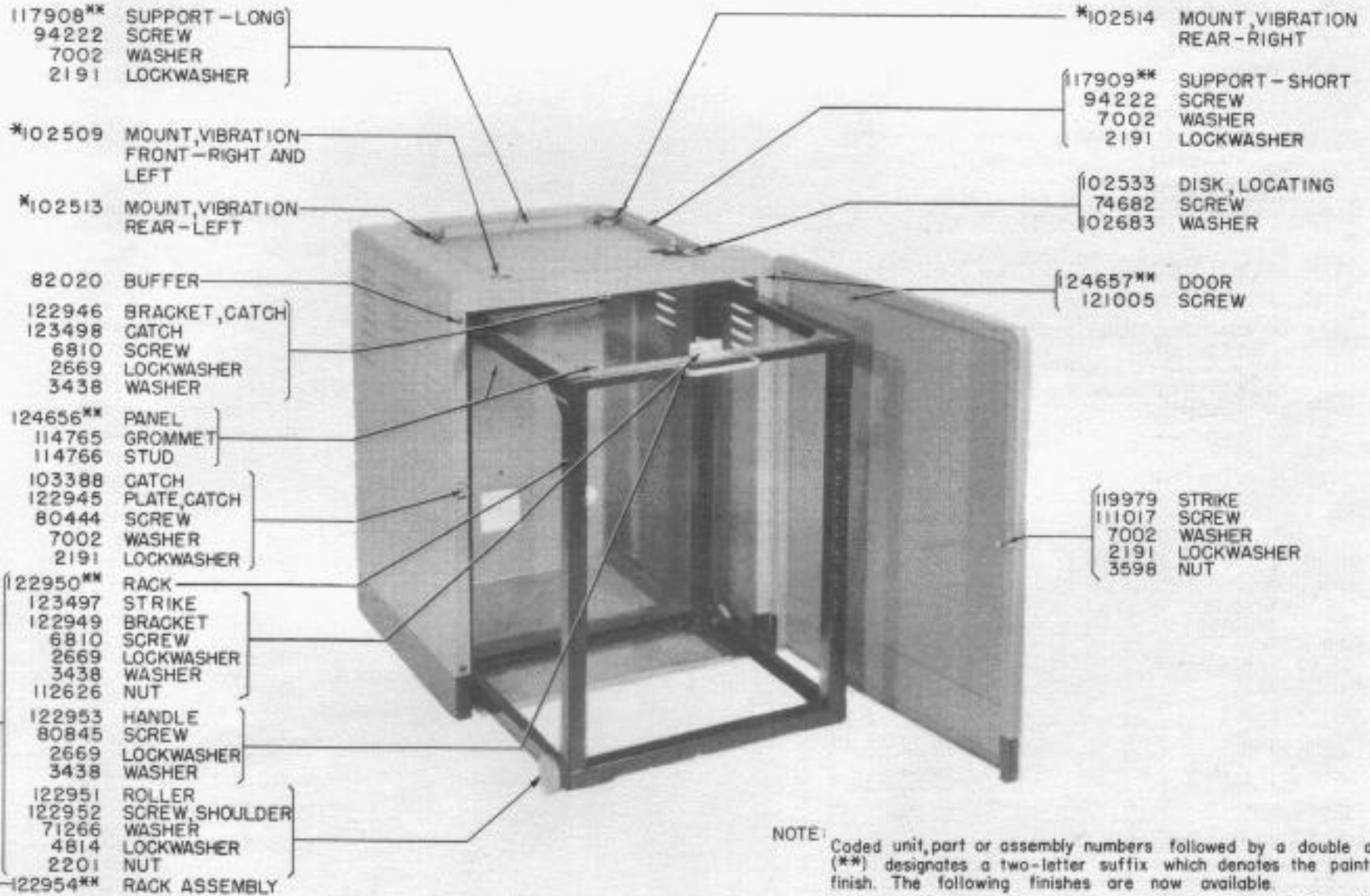
TABLES COVERED HEREIN CLASSIFIED AS TO TELETYPE  
CODE NUMBER

NUMBER	PAGE	NUMBER	PAGE	NUMBER	PAGE
PET		XRT111	12	XRT 207**	4, 5
PET3	23	XRT114	5, 15	XRT 208**	19, 20
PET 200**	23	XRT115	2	XRT 209**	10
PET 201**	23	XRT116	4	XRT 210**	3
PET 202**	24	XRT118	2	XRT 211**	21, 22
RT		XRT119	13	XRT 212**	10
RT 200**	7	XRT120	3	XT	
RT 201**	1	XRT123	14	XT41	25
RT 202**	1	XRT124	4, 5	XT 200**	7
RT 204**	8	XRT 200**	2	XT 201**	27
XRT		XRT 201**	2	XT 202**	6
XRT101	9	XRT 202**	4, 5		
XRT103	10	XRT 204**	16, 17		
XRT105	10	XRT 205**	18		
XRT110	11	XRT 206**	18		





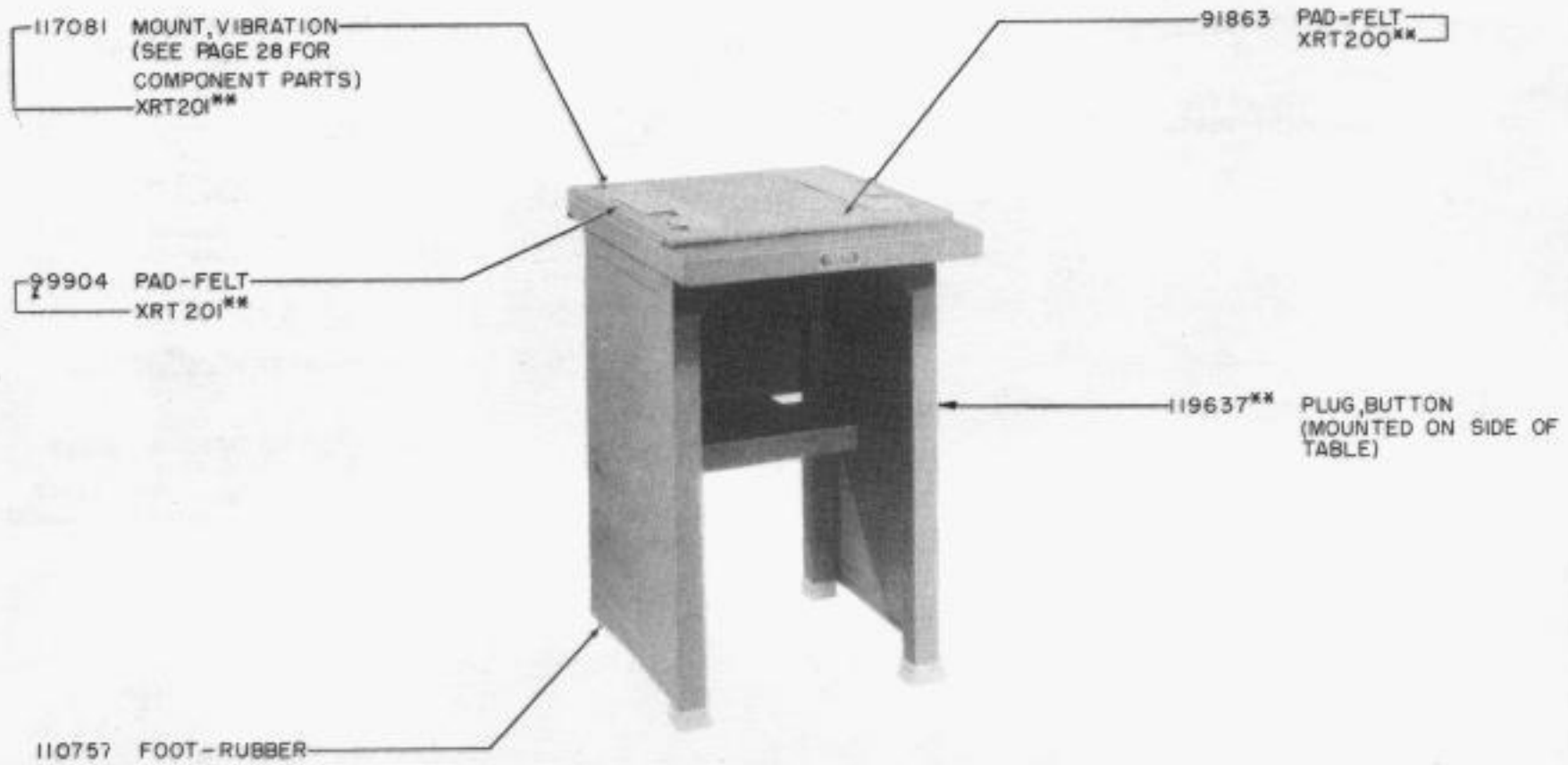
RT201\*\* TABLE ACCOMMODATES A MODEL 14 REPERFORATOR



\*MOUNTING PARTS TO SECURE THE VIBRATION MOUNTS TO THE TABLE  
6746 SCREW  
2191 LOCKWASHER  
7002 WASHER  
3598 NUT

NOTE: Coded unit, part or assembly numbers followed by a double asterisk (\*\*) designates a two-letter suffix which denotes the paint finish. The following finishes are now available.  
Black Wrinkle - AA Light Brown Wrinkle - AC  
Gray Green Wrinkle - AB Dark Brown Wrinkle - AD  
In addition to the colors listed above other colors may be provided on request.

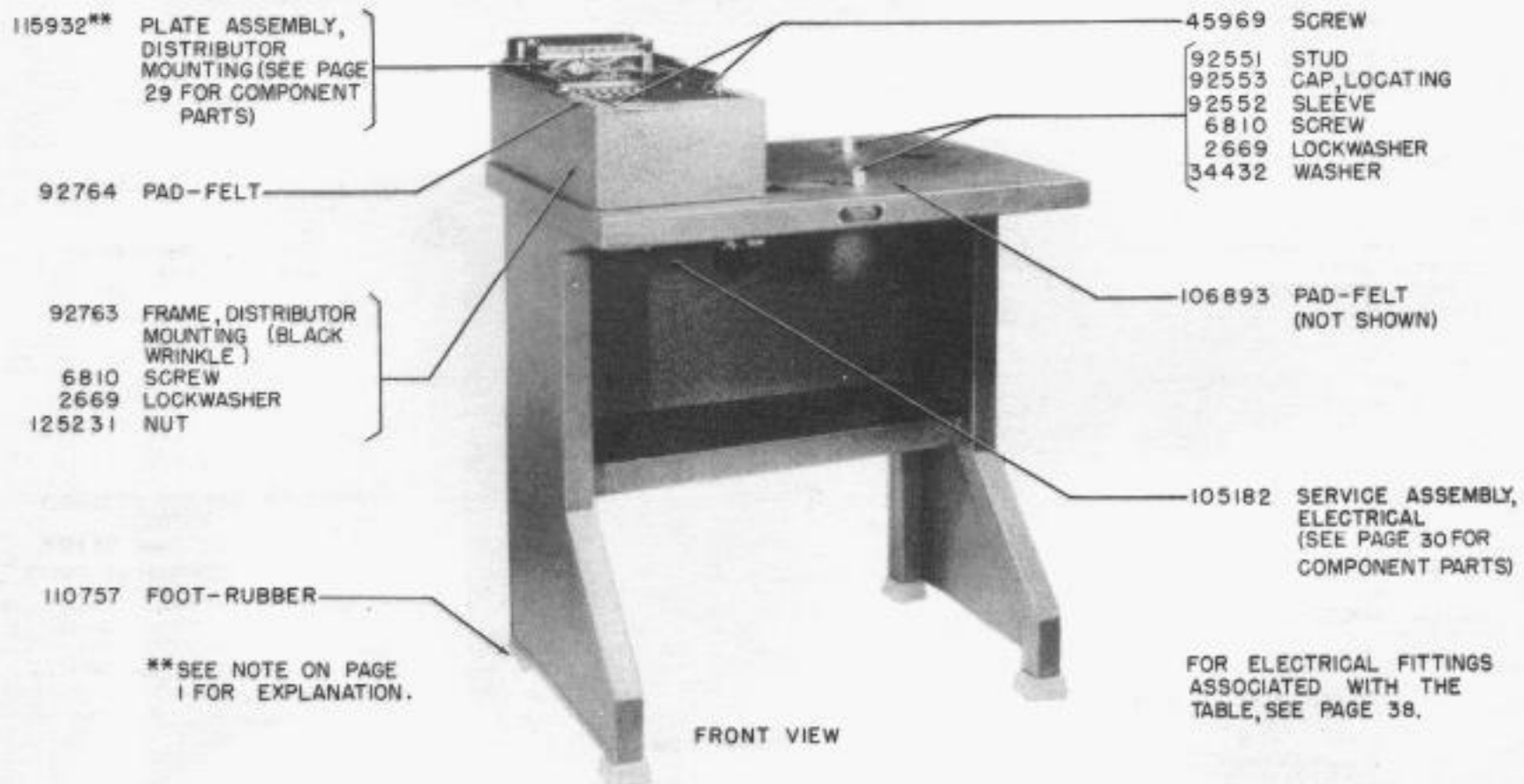
RT202\*\* TABLE ACCOMMODATES A MODEL 15 RECEIVING-ONLY PAGE PRINTER



NOTE:  
THE XRT115 (BLACK WRINKLE) TABLE  
HAS BEEN RENUMBERED (XRT200\*\*)   
TO FIT THE NEW FINISH DESIGNATING  
SYSTEM.

FRONT VIEW

XRT200\*\* AND XRT201\*\* TABLES ACCOMMODATE A MODEL 15 SENDING-RECEIVING PAGE PRINTER  
(UNLESS OTHERWISE SPECIFIED ALL PARTS LISTED ABOVE ARE COMMON TO XRT200\*\* AND XRT201\*\*)

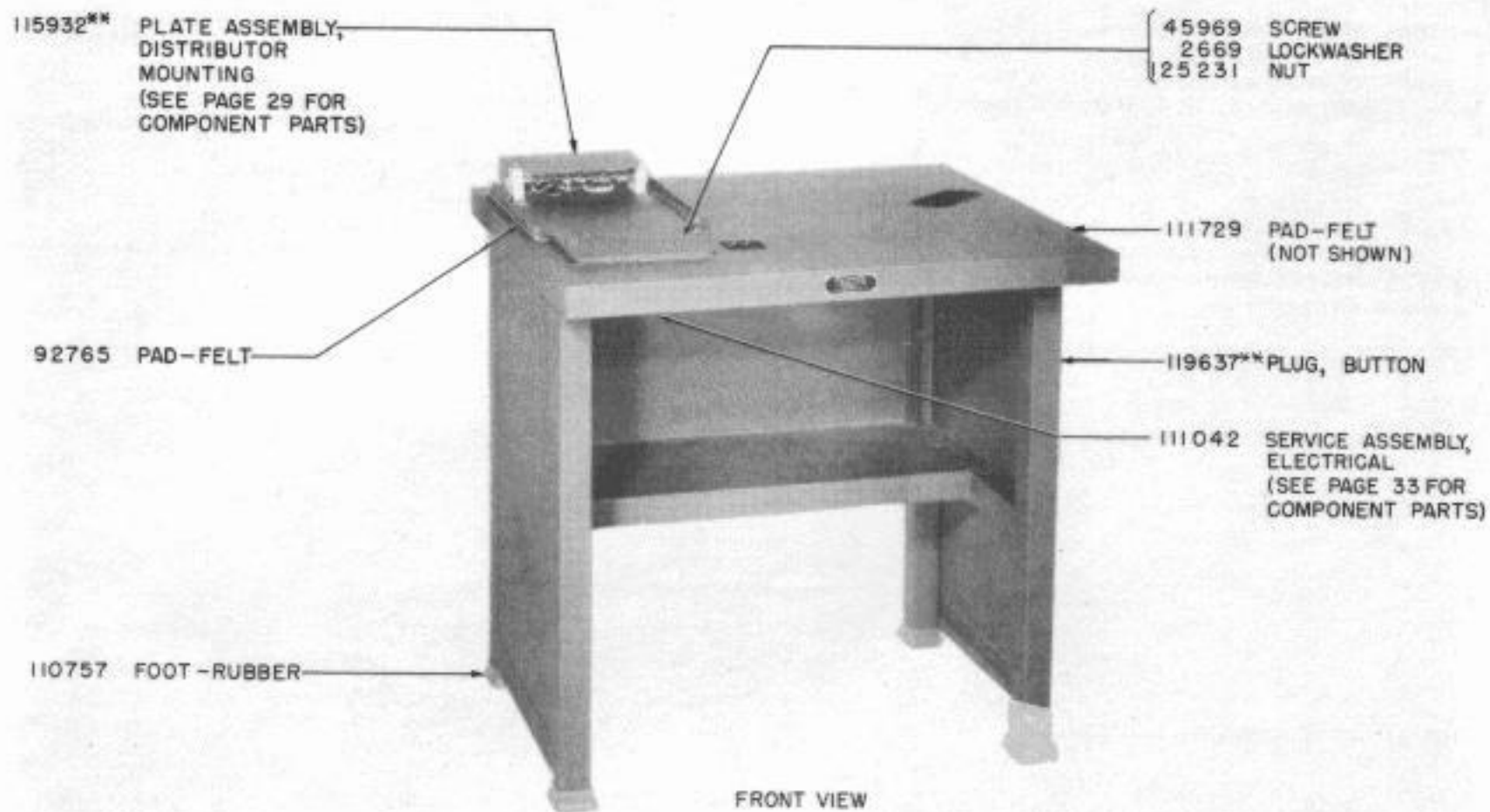


\*\*SEE NOTE ON PAGE  
1 FOR EXPLANATION.

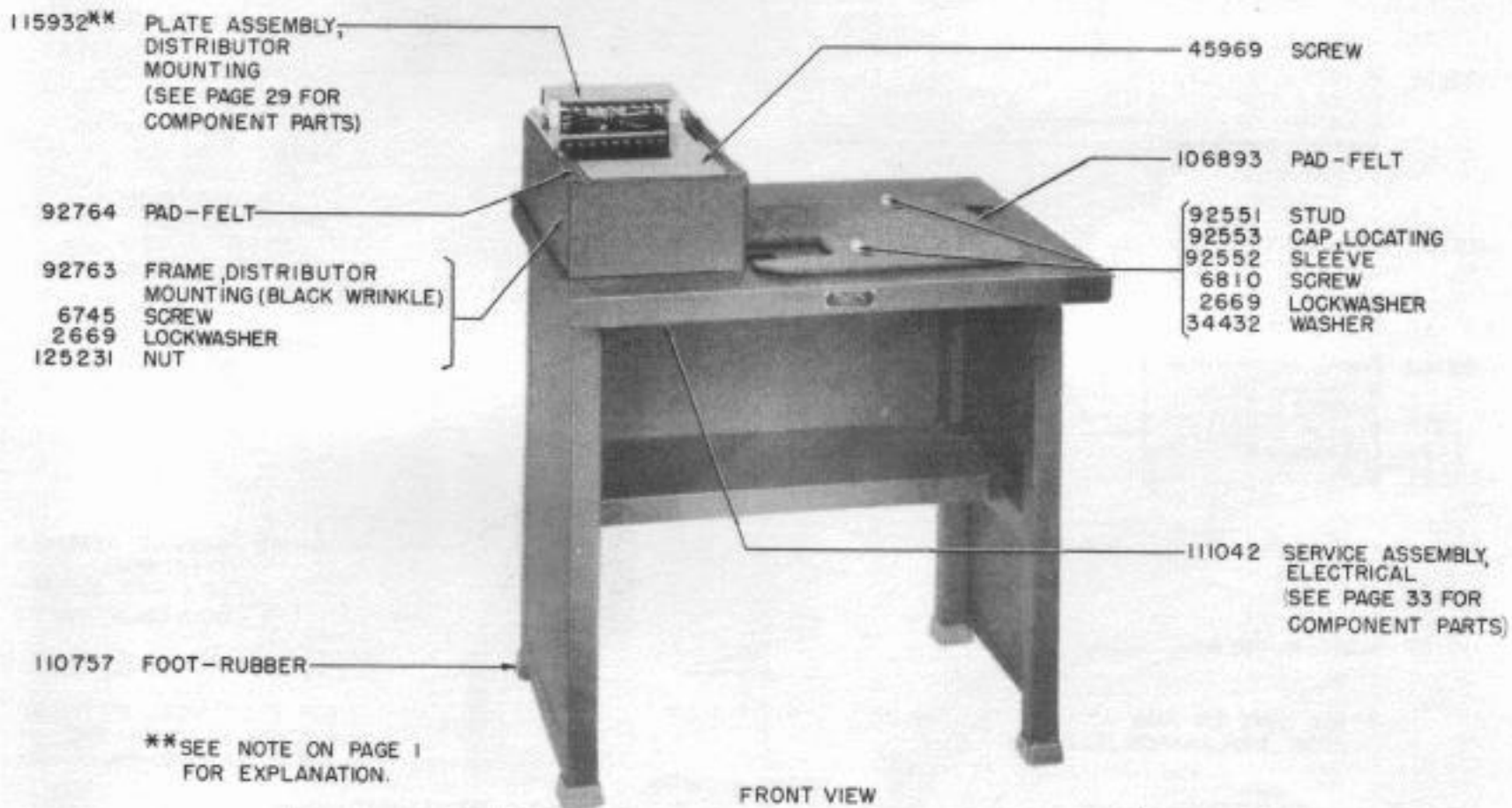
FOR ELECTRICAL FITTINGS  
ASSOCIATED WITH THE  
TABLE, SEE PAGE 38.

FRONT VIEW

XRT118 TABLE ACCOMMODATES A MODEL 14 TYPING REPERFORATOR  
AND A TRANSMITTER DISTRIBUTOR (BLACK WRINKLE)

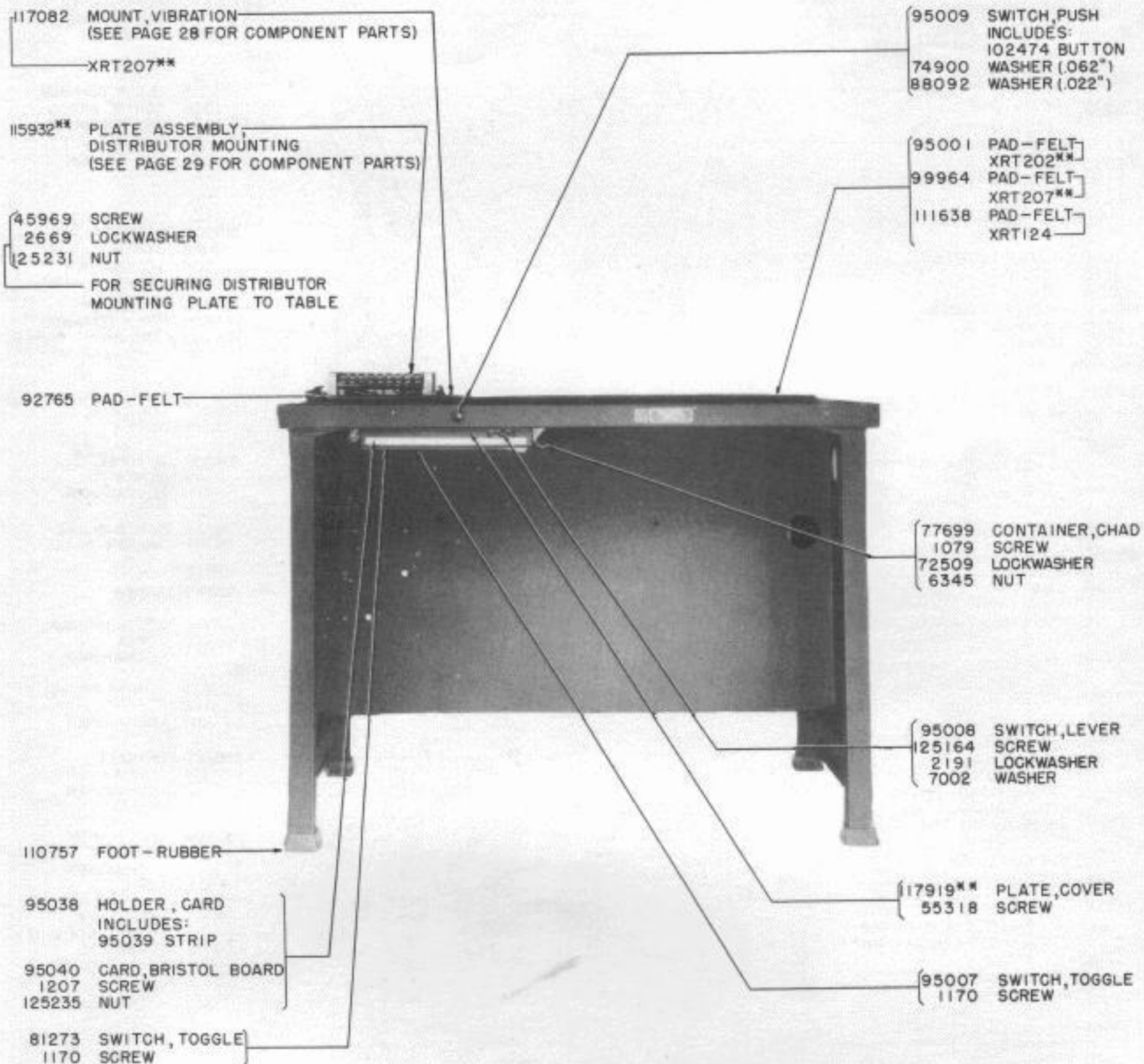


XRT210\*\* TABLE ACCOMMODATES A MODEL 14 SENDING-RECEIVING OR RECEIVING-ONLY TYPING REPERFORATOR AND A TRANSMITTER DISTRIBUTOR



XRT120 TABLE ACCOMMODATES A MODEL 14 REPERFORATOR AND A TRANSMITTER DISTRIBUTOR (BLACK WRINKLE)





NOTE:  
SEE PAGE 5 FOR REAR VIEW.

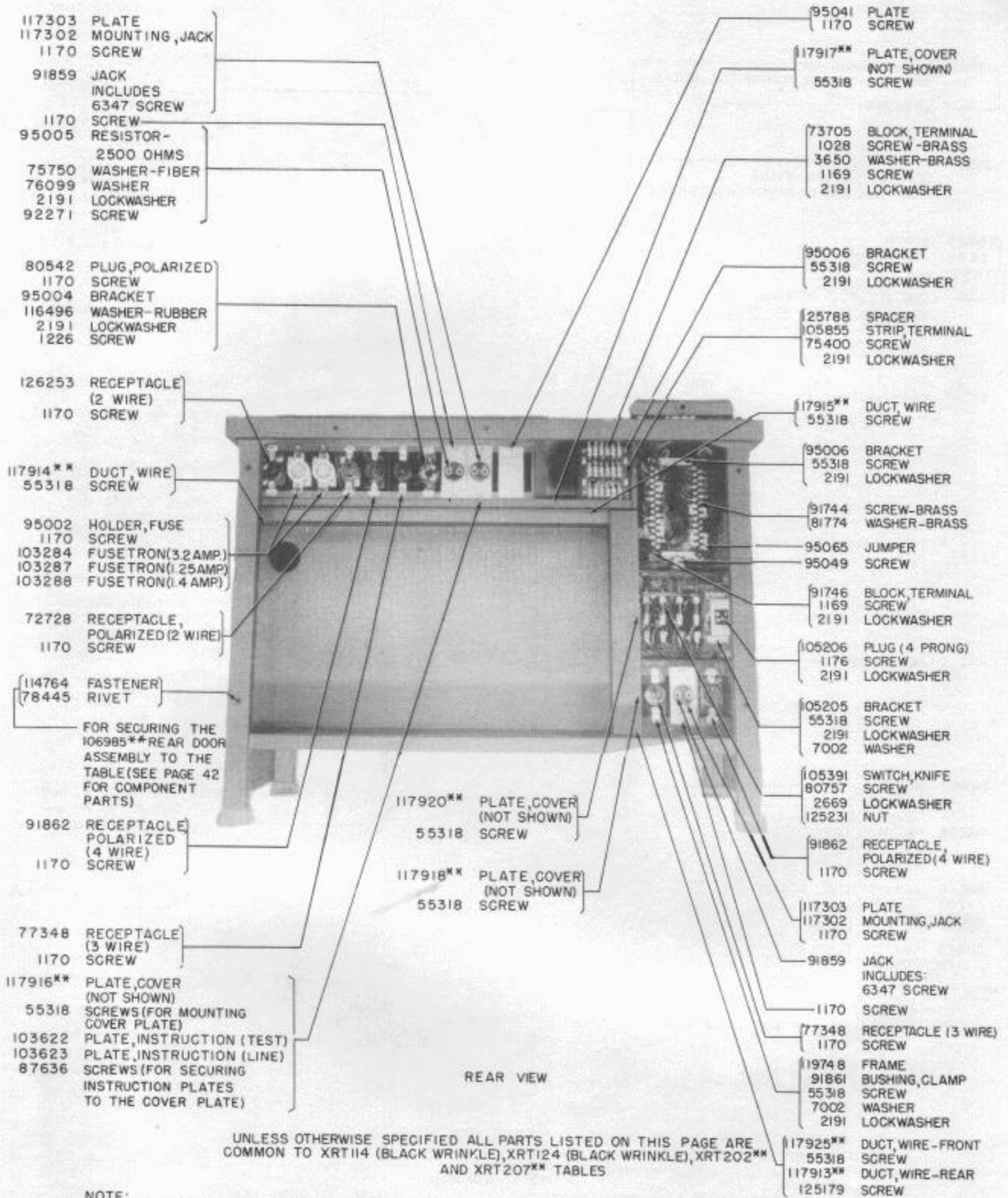
\*\* SEE NOTE ON PAGE  
1 FOR EXPLANATION.

FOR ELECTRICAL FITTINGS  
ASSOCIATED WITH THE  
TABLES LISTED, SEE PAGE 38.

NOTE:  
THE XRT116 (BLACK WRINKLE) TABLE HAS  
BEEN RENUMBERED (XRT202\*\*) TO FIT  
THE NEW FINISH DESIGNATING SYSTEM.

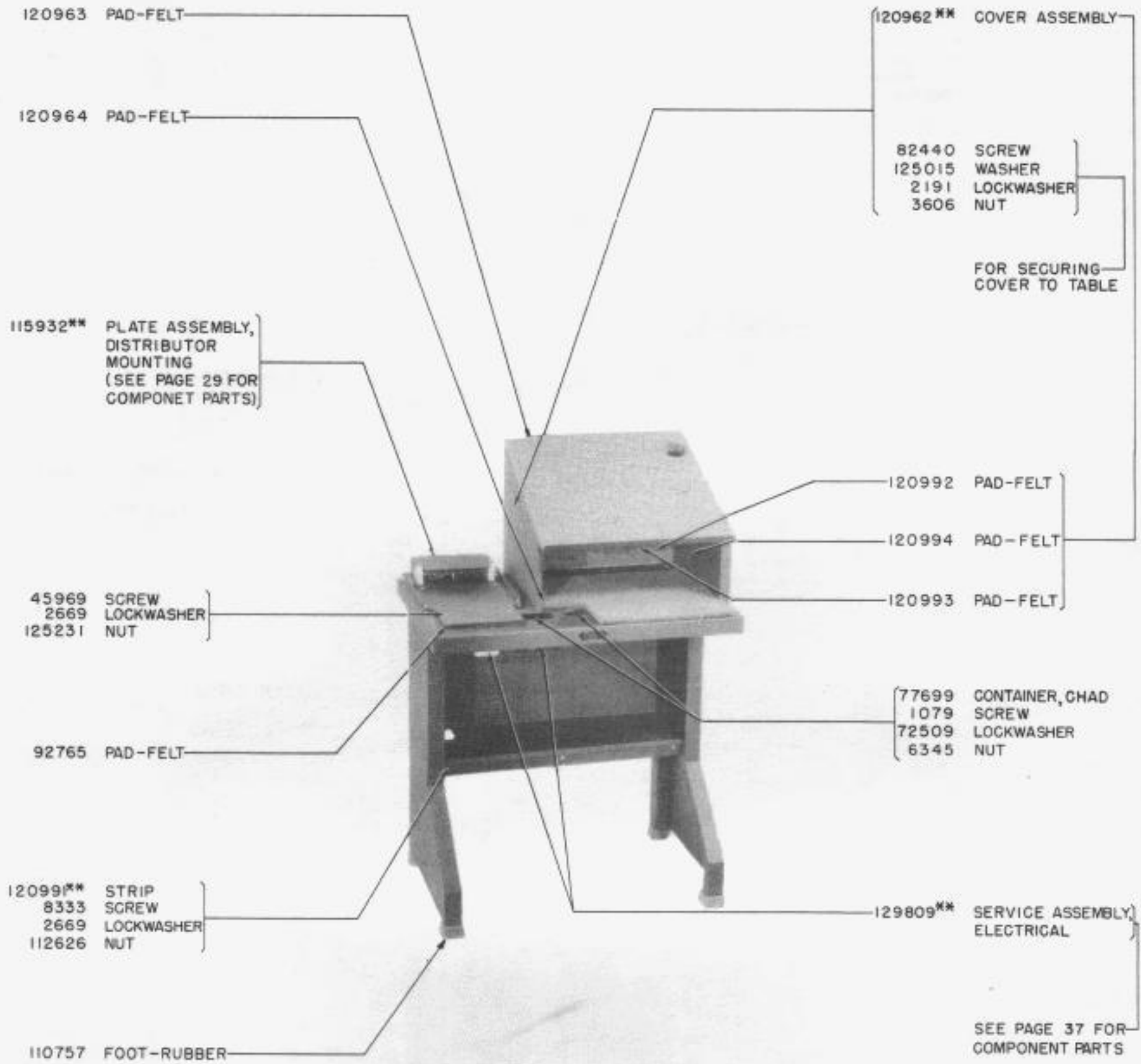
XRT124 TABLE ACCOMMODATES A MODEL 14 TYPING REPERFORATOR  
AND A TRANSMITTER DISTRIBUTOR (BLACK WRINKLE)  
XRT202\*\* AND XRT207\*\* TABLES ACCOMMODATES A MODEL 19 PAGE PRINTER SET  
(XRT207\*\* TABLE IS THE SAME AS THE XRT202\*\* TABLE EXCEPT EQUIPPED WITH VIBRATION MOUNTS)  
(UNLESS OTHERWISE SPECIFIED ALL PARTS LISTED ON THIS PAGE ARE  
COMMON TO XRT124 (BLACK WRINKLE), XRT202\*\* AND XRT207\*\*)





NOTE:  
SEE PAGE 15 FOR FRONT VIEW OF  
XRT114 (BLACK WRINKLE) TABLE.  
SEE PAGE 4 FOR FRONT VIEW OF  
XRT124 (BLACK WRINKLE), XRT202\*\* AND XRT207\*\* TABLES.

\*\*SEE NOTE ON PAGE 1 FOR EXPLANATION



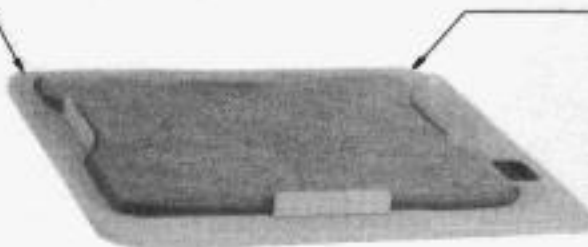
\*\*SEE NOTE ON PAGE 1 FOR EXPLANATION.

FRONT VIEW

XT202\*\* TABLE ACCOMMODATES A MODEL 14 PERFORATOR AND A TRANSMITTER DISTRIBUTOR

118283\*\* PLATE, ADAPTER

NOTE:  
USED WHEN MOUNTING  
A 14 TYPE TYPING  
REPERFORATOR.



118514 PAD-FELT  
35503 FOOT-RUBBER  
1026 SCREW  
125015 WASHER  
LOCATED ON UNDER SIDE  
OF ADAPTER PLATE

115728\*\* ADAPTER PLATE ASSEMBLY  
(NOT INCLUDED WITH THE RT200\*\* TABLE)

102533 DISK, LOCATING  
74682 SCREW  
102683 WASHER

102513 MOUNT, VIBRATION

102509 MOUNT, VIBRATION

6746 SCREW  
7002 WASHER  
2191 LOCKWASHER  
3598 NUT  
FOR SECURING THE  
VIBRATION MOUNTS TO THE  
TABLE

102532 FOOT-RUBBER  
1303 SCREW  
76099 WASHER  
3598 NUT

97840 RECEPTACLE, DUPLEX  
(2 WIRE)

103092 CONNECTOR, CORD  
5600 SPACER  
5668 BOX, SWITCH

101845 PLATE, CLAMP  
87635 SCREW  
FOR SECURING SWITCH  
BOX TO TABLE

102528 STRIP  
125015 WASHER  
2191 LOCKWASHER  
6345 NUT

55309 SCREW

91746 BLOCK, TERMINAL  
91744 SCREW  
81774 WASHER

1026 SCREW  
2191 LOCKWASHER  
FOR SECURING  
TERMINAL BLOCK TO TABLE

102514 MOUNT, VIBRATION

17909\*\* SUPPORT - SHORT  
17908\*\* SUPPORT - LONG  
94222 SCREW  
7002 WASHER  
2191 LOCKWASHER

102509 MOUNT, VIBRATION

117794 LAMP AND KEY ASSEMBLY  
(SEE PAGE 39 FOR  
COMPONENT PARTS)

117796 CABLE  
102130 PLATE  
125143 SCREW

103017 RECEPTACLE (5 CONTACTS)  
55309 SCREW

102529 STRIP  
125015 WASHER  
2191 LOCKWASHER  
6345 NUT

125716 BOX, SWITCH  
101845 PLATE, CLAMP  
87635 SCREW  
91861 BUSHING, CLAMP

102541 RECEPTACLE (4 WIRE)

1079 SCREW

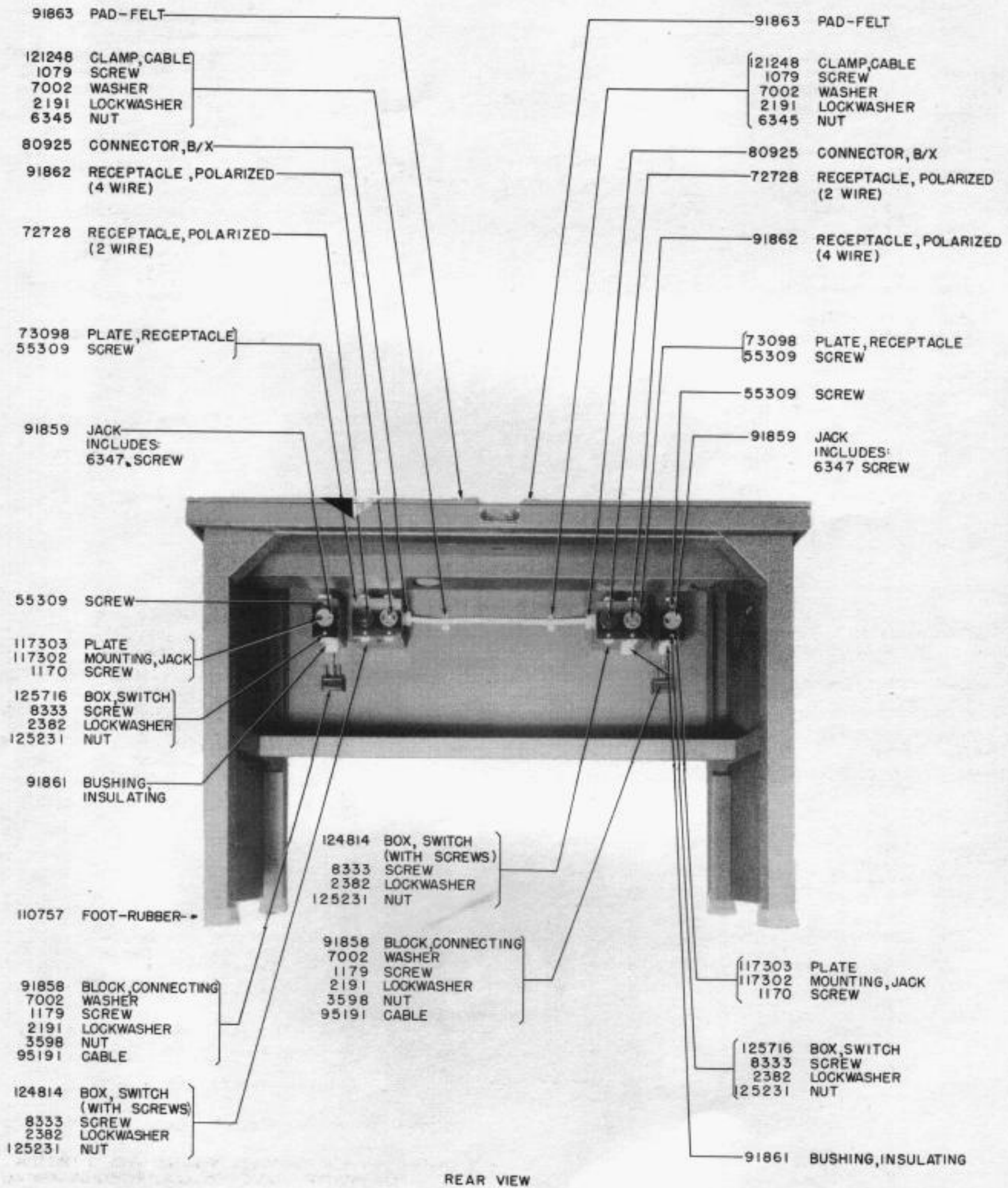
124178\*\* PLATE

\*\*SEE NOTE ON PAGE  
1 FOR EXPLANATION.

115719\*\* COVER PLATE ASSEMBLY REQUIRED WHEN A FRICTION  
FEED PRINTER IS USED (SEE ILLUSTRATION ON PAGE 40).  
115720\*\* PAPER SUPPLY COVER ASSEMBLY REQUIRED WHEN  
A SPROCKET FEED PRINTER IS USED (SEE  
ILLUSTRATION ON PAGE 44).  
NOT FURNISHED WITH THE RT200\*\* TABLE.

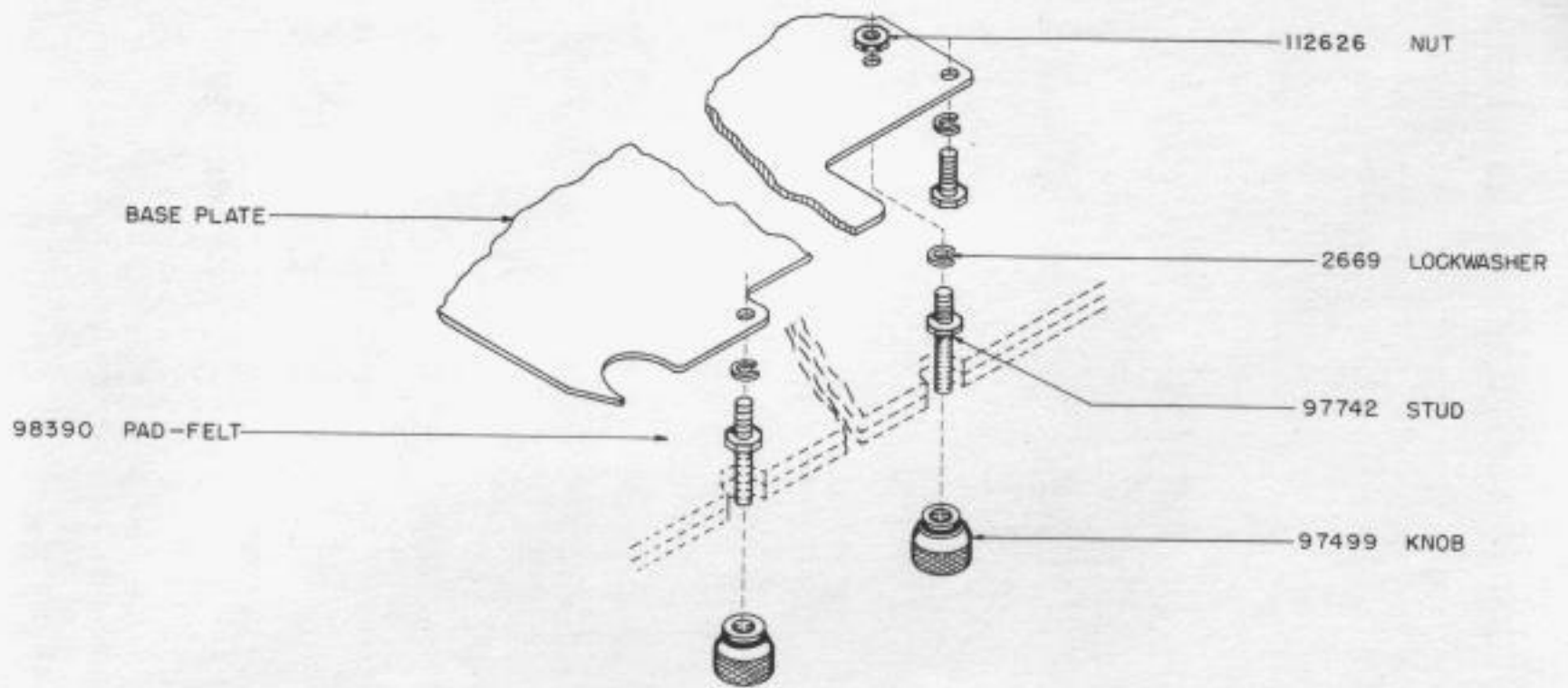
RT200\*\* (BELL 115C) TABLE ACCOMMODATES A MODEL 15 RECEIVING-ONLY PRINTER



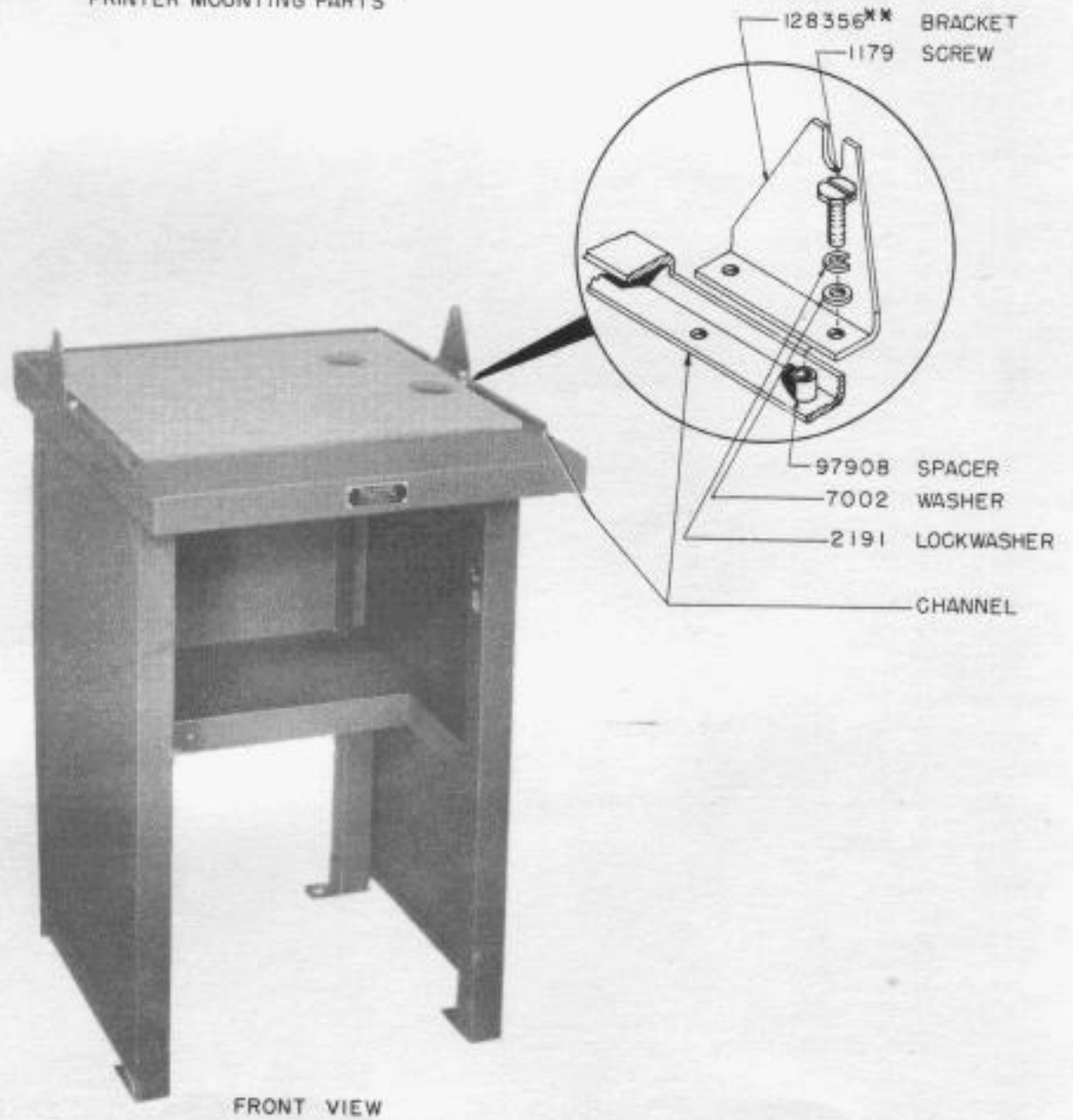


\*\* SEE NOTE ON PAGE 1 FOR EXPLANATION.

RT204\*\* TABLE ACCOMMODATES TWO MODEL 15 RECEIVING-ONLY PRINTERS

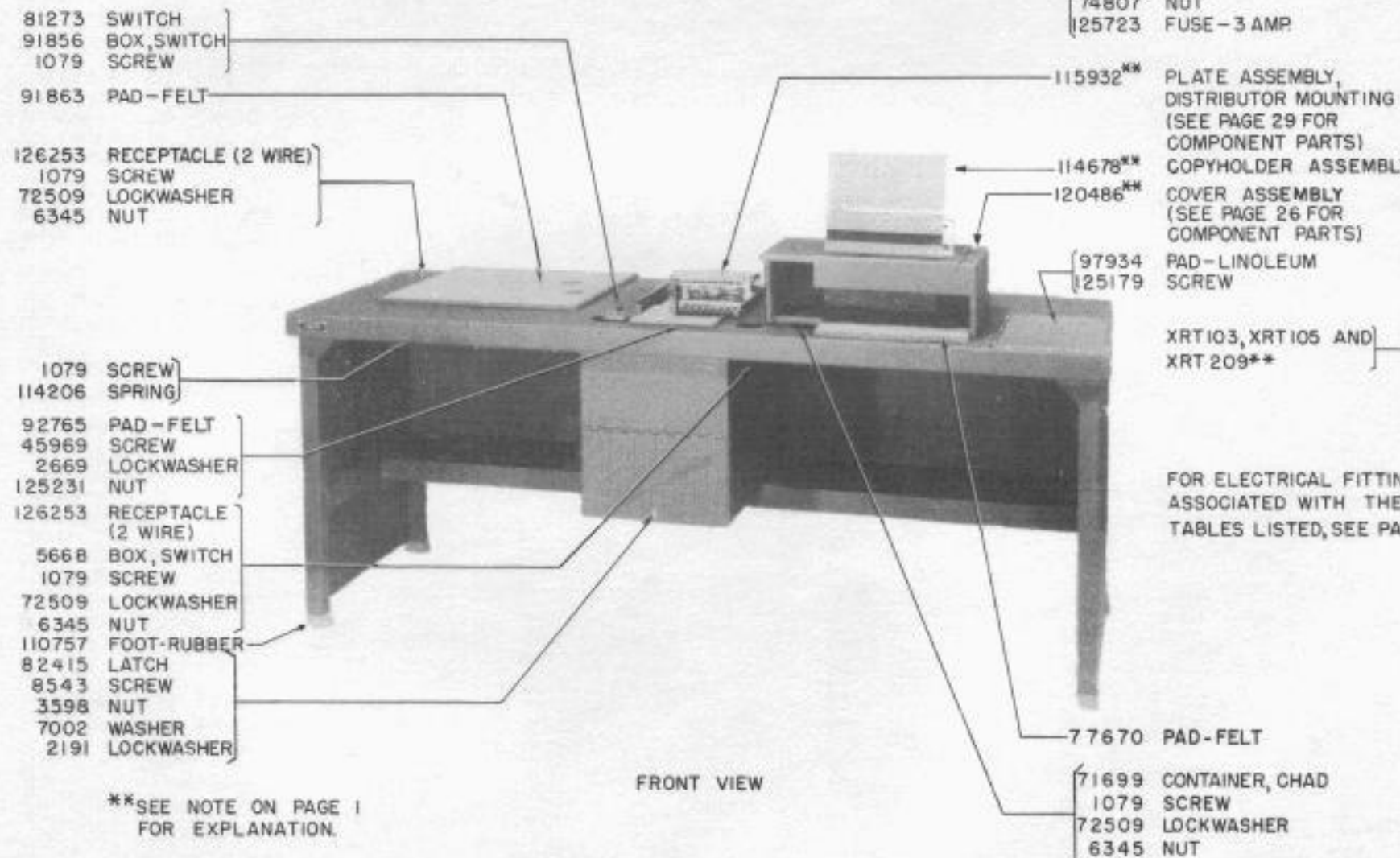
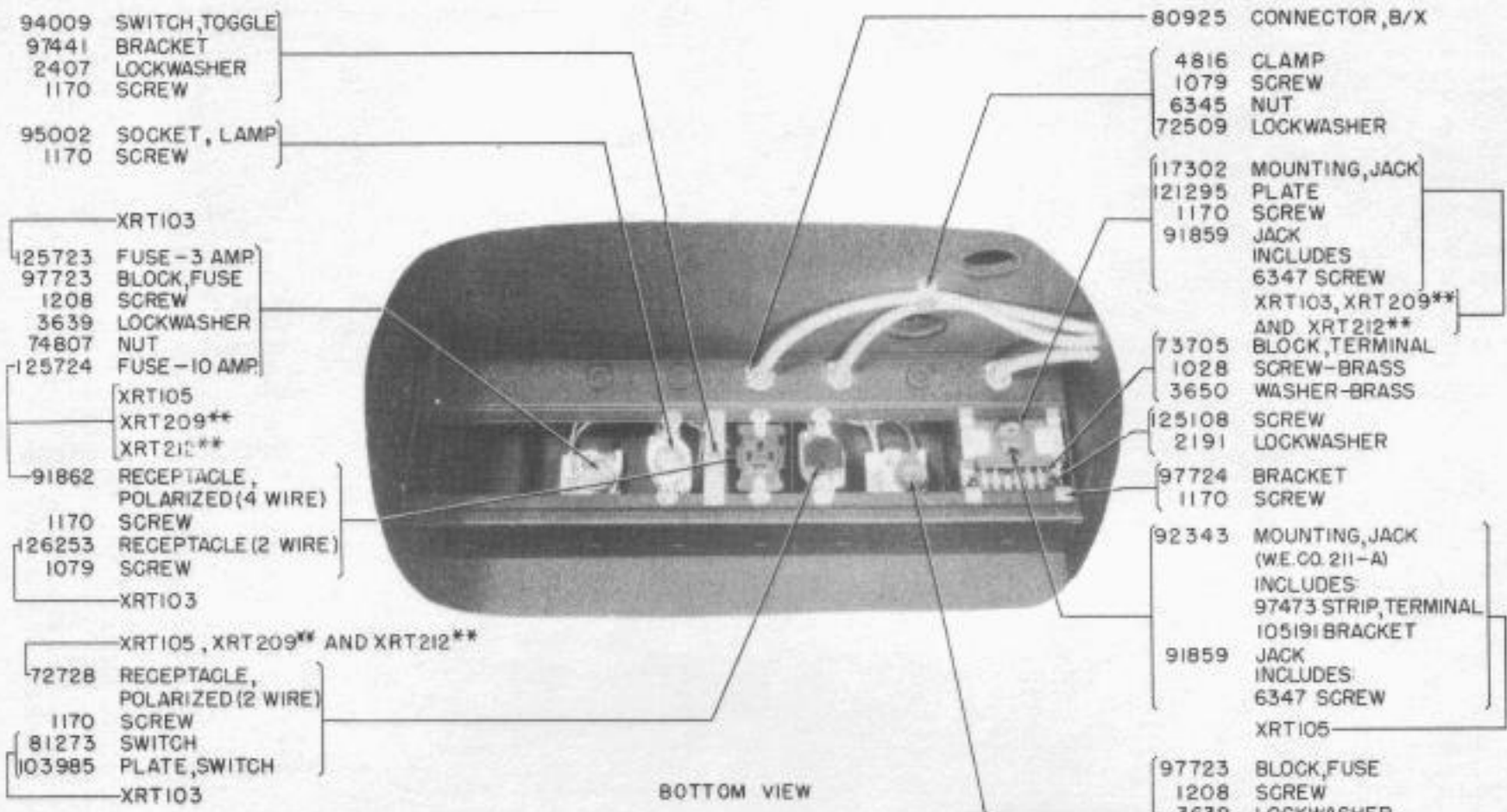


ENLARGED RIGHT SIDE VIEW OF TABLE SHOWING LOCATION OF PRINTER MOUNTING PARTS



\*\*SEE NOTE ON PAGE 1 FOR EXPLANATION.

XRT101 TABLE ACCOMMODATES A MODEL 15 SENDING-RECEIVING PRINTER (BLACK SEMI GLOSS)

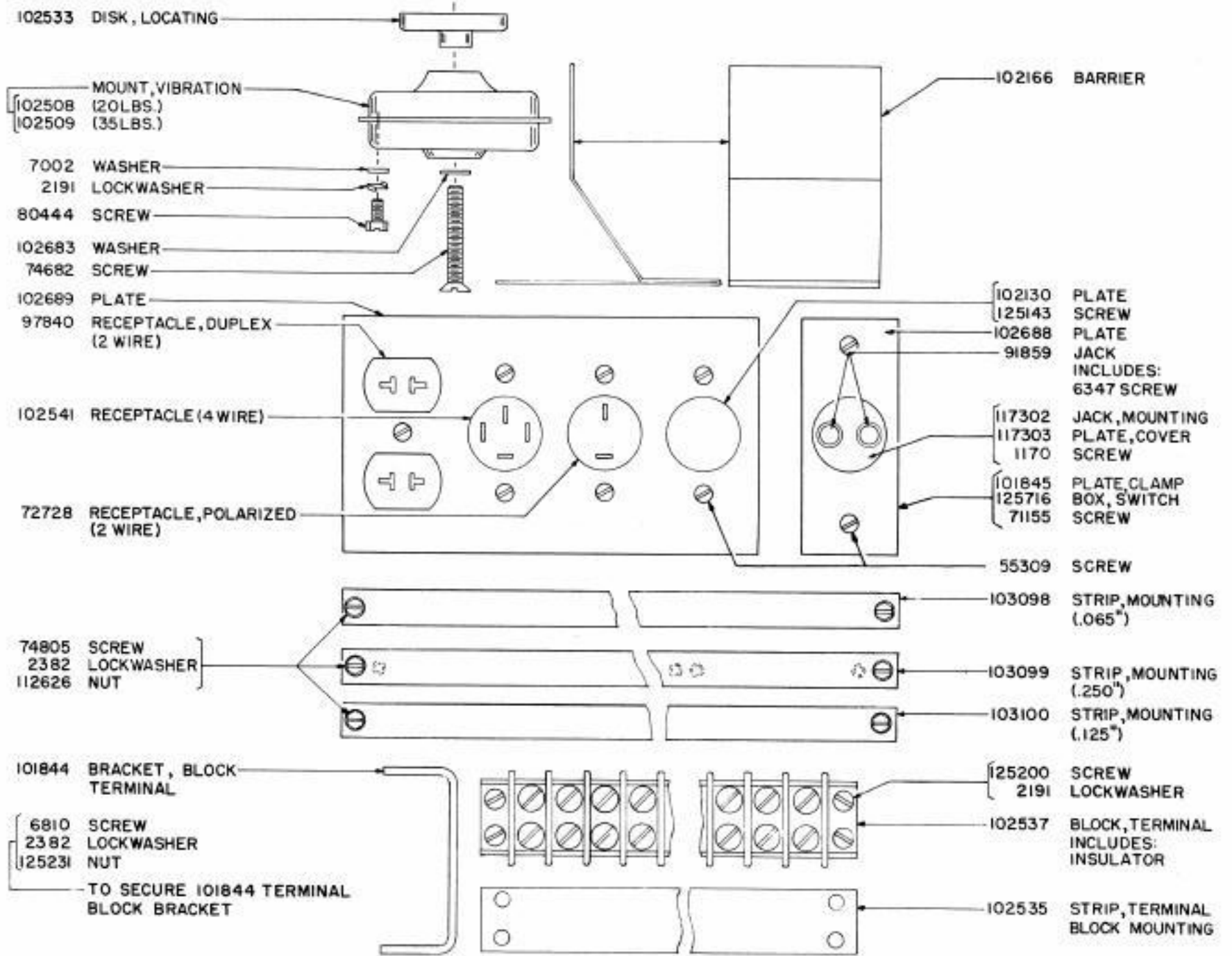


FOR ELECTRICAL FITTINGS ASSOCIATED WITH THE TABLES LISTED, SEE PAGE 38.

\*\*SEE NOTE ON PAGE 1 FOR EXPLANATION.

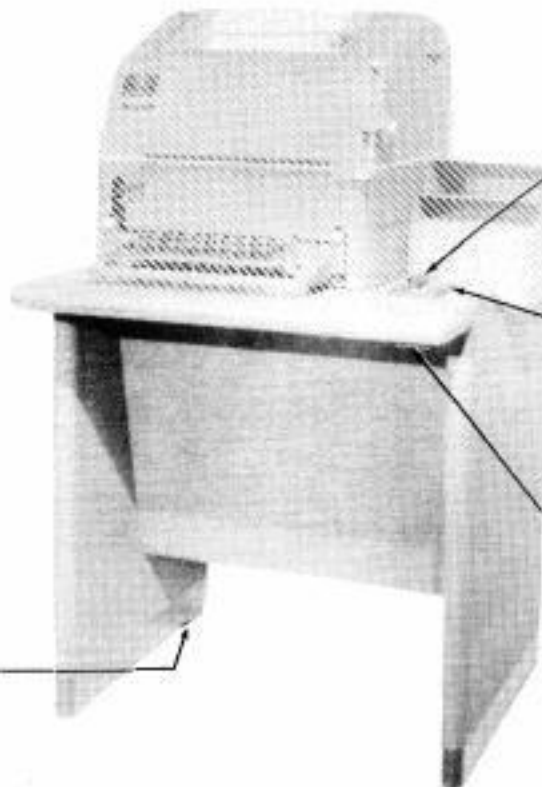
XRT103 TABLE (BLACK WRINKLE), XRT105 TABLE (BLACK WRINKLE), XRT209\*\* TABLE AND XRT212\*\* TABLE ACCOMMODATES MODEL 15 PRINTERS, PERFORATORS AND TRANSMITTER DISTRIBUTORS. (XRT212\*\* TABLE IS WITHOUT COPYHOLDER AND PERFORATOR COVER. XRT103, XRT105 AND XRT209\*\* TABLES VARY IN ELECTRICAL COMPONENTS)  
 (UNLESS OTHERWISE SPECIFIED ALL PARTS LISTED ON THIS PAGE ARE COMMON TO XRT103 (BLACK WRINKLE), XRT105 (BLACK WRINKLE), XRT209\*\* AND XRT212\*\*)





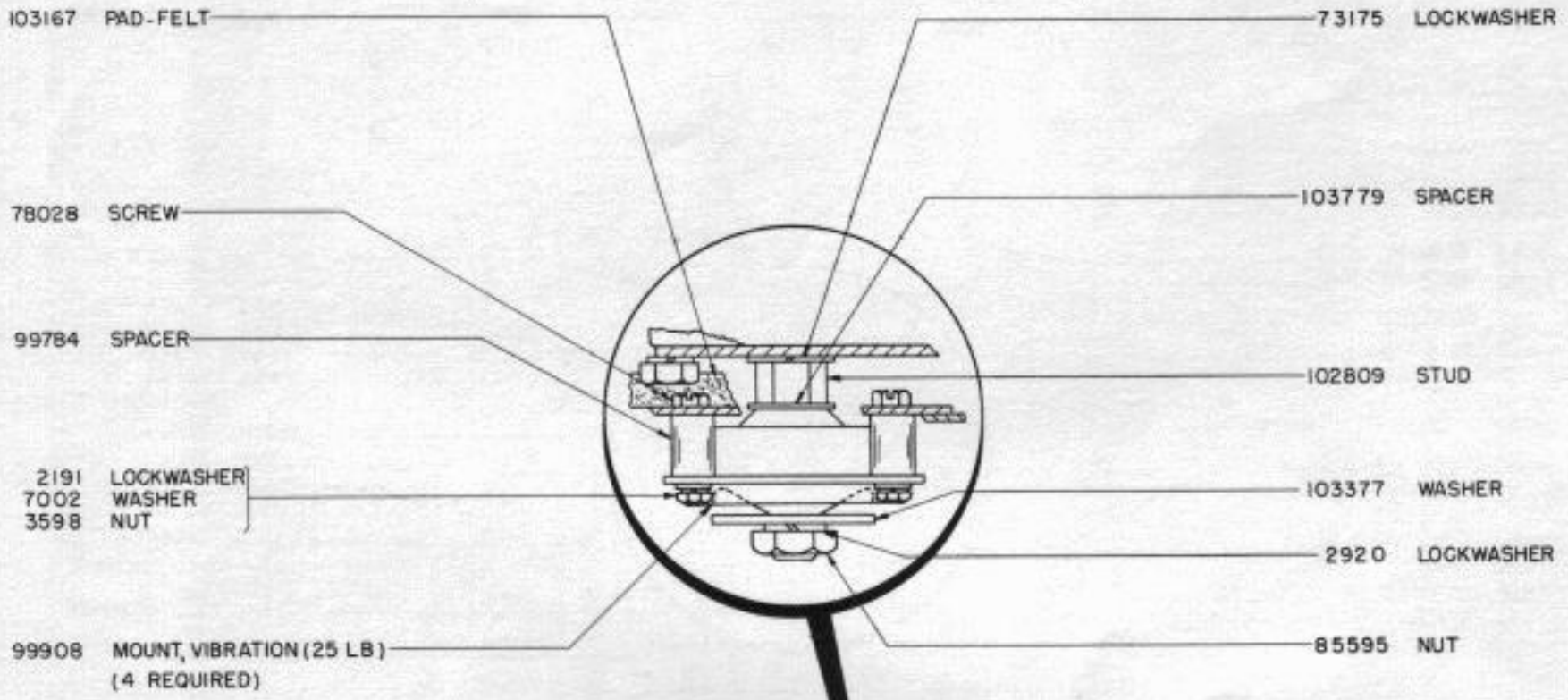
FOR ELECTRICAL FITTINGS ASSOCIATED WITH THE TABLE, SEE PAGE 38.

- 101861 PAD-RUBBER
- 1303 SCREW
- 76099 WASHER

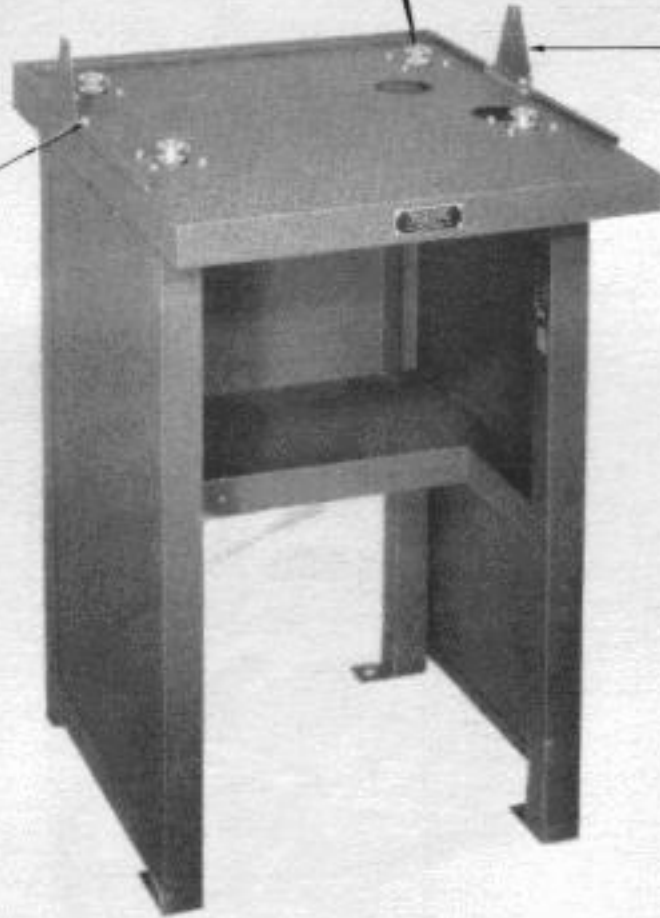


- 102754 YOKE INCLUDES: 1248 SCREW, 7002 WASHER, 3599 NUT
- 102752 SWITCH PLATE, FLUSH
- 102753 SWITCH PLATE, FLUSH
- 5668 BOX, SWITCH
- 102684 PLATE, CLAMP
- 8543 SCREW

XRT110 (BELL 115B) TABLE ACCOMMODATES A MODEL 15 PAGE PRINTER SET (DARK BROWN WRINKLE)



- 1179 SCREW
- 2191 LOCKWASHER
- 7002 WASHER
- 97908 SPACER

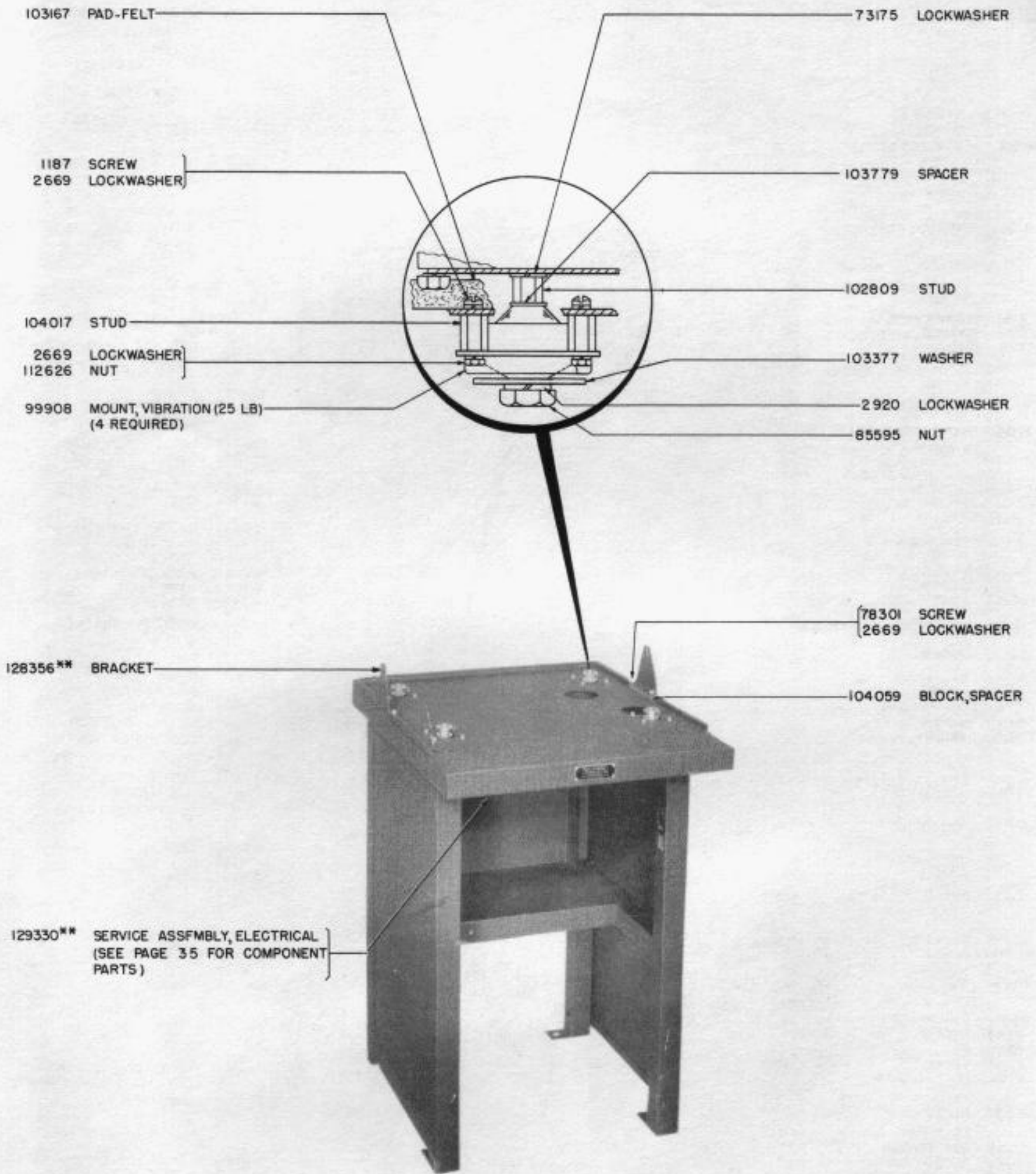


128356\*\* BRACKET

FRONT VIEW

\*\*SEE NOTE ON PAGE 1 FOR EXPLANATION.

XRTIII TABLE ACCOMMODATES A MODEL 15 SENDING-RECEIVING OR RECEIVING-ONLY PAGE PRINTER (BATTLESHIP GRAY SMOOTH)



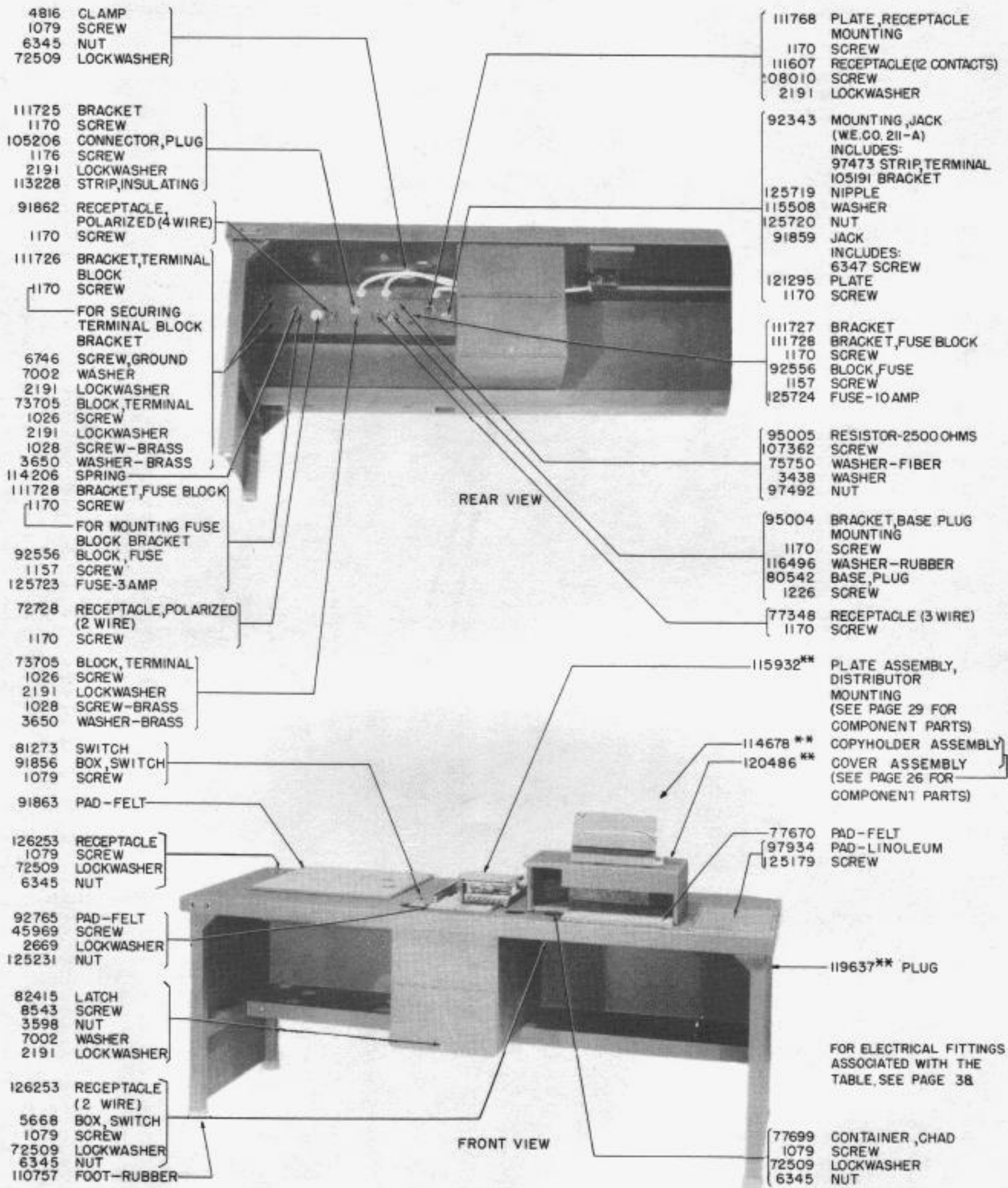
FRONT VIEW

\*\*SEE NOTE ON PAGE 1 FOR EXPLANATION

XRT119 TABLE ACCOMMODATES A MODEL 15 SENDING - RECEIVING PAGE PRINTER (BLACK WRINKLE)

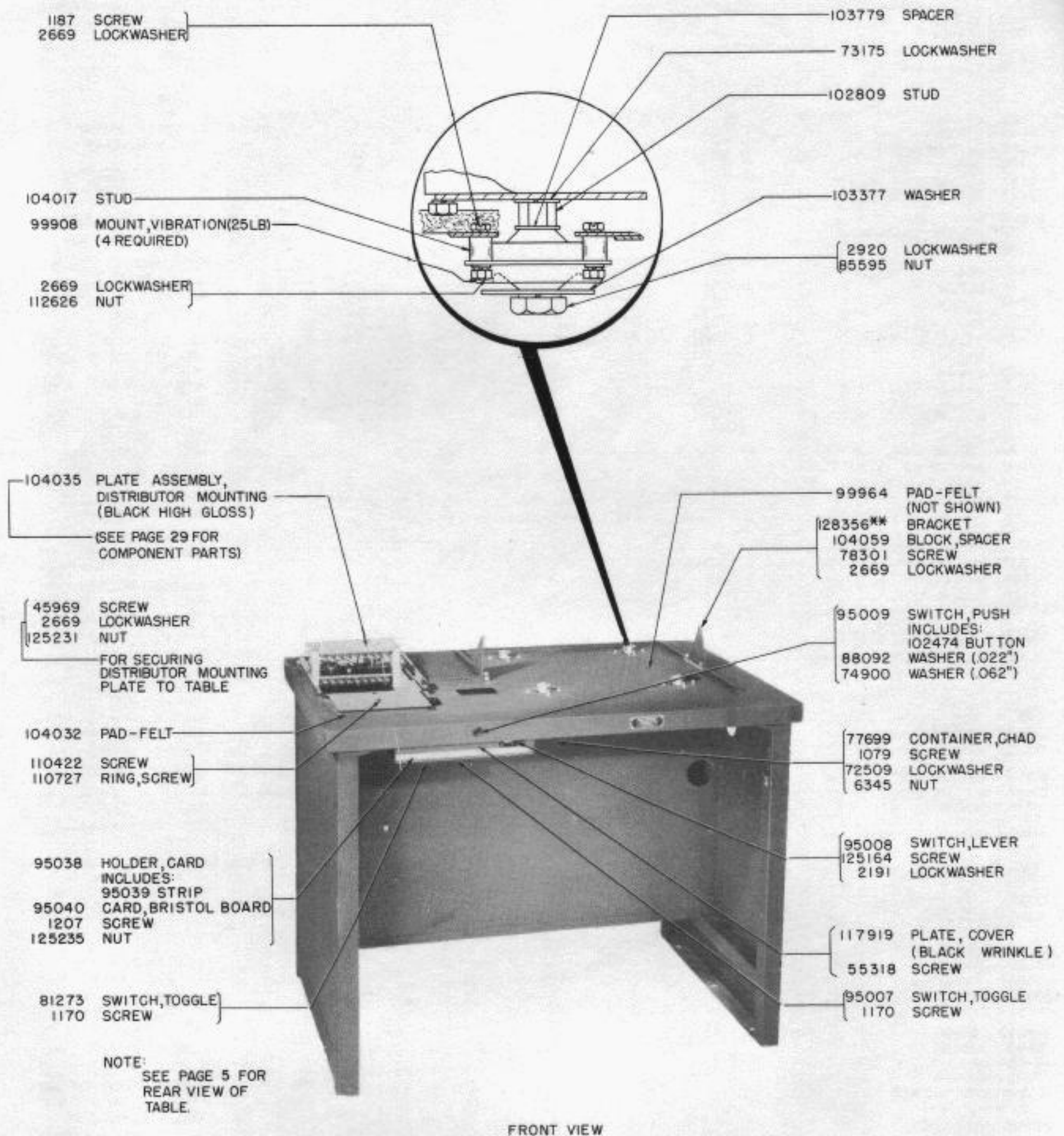
ORIGINAL





\*\*SEE NOTE ON PAGE 1 FOR EXPLANATION.

XRT123 TABLE ACCOMMODATES A MODEL 15 SENDING-RECEIVING PAGE PRINTER, PERFORATOR AND A TRANSMITTER DISTRIBUTOR (BLACK WRINKLE)



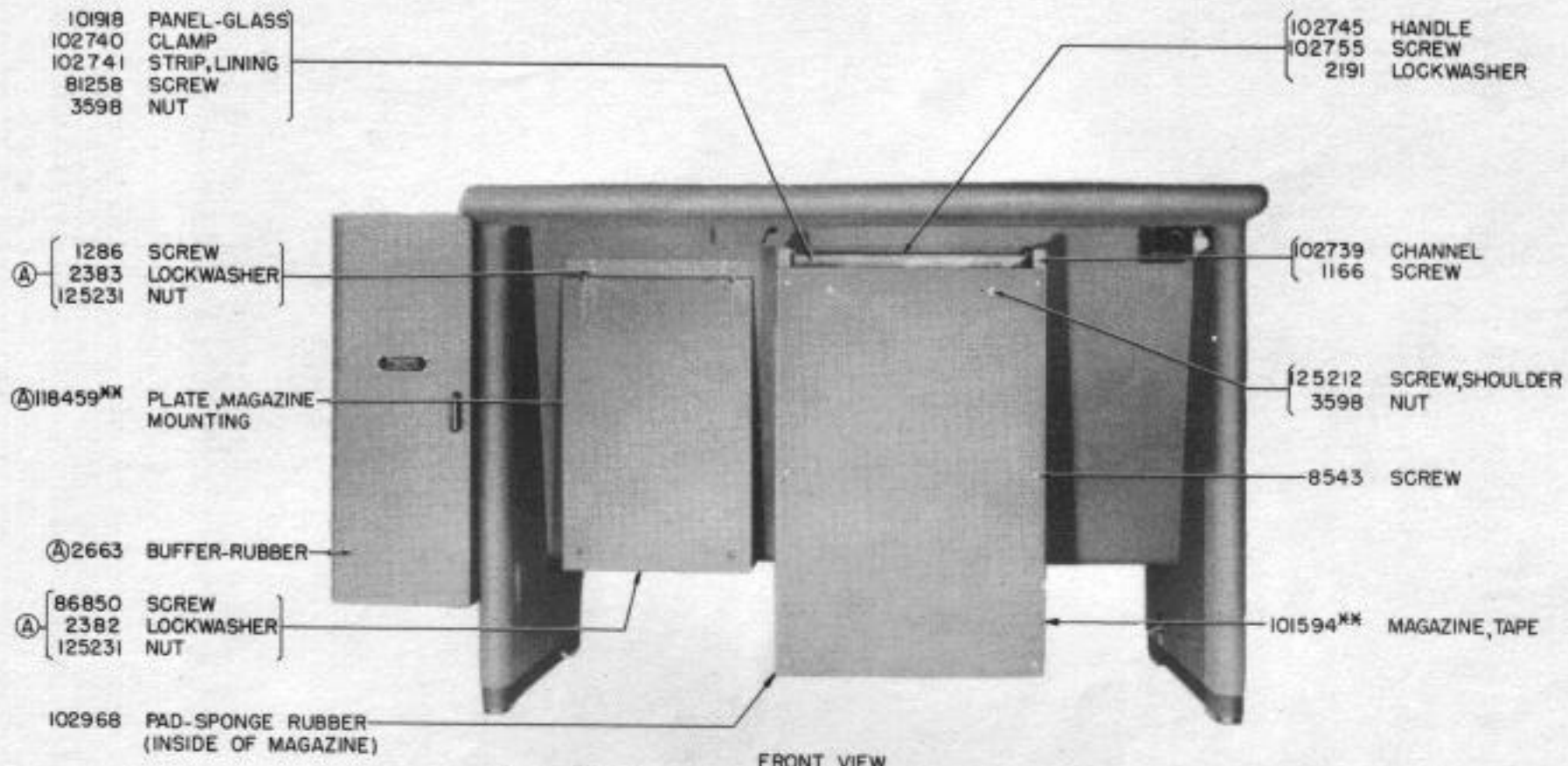
FOR ELECTRICAL FITTINGS ASSOCIATED  
WITH THE TABLE, SEE PAGE 38.

\*\*SEE NOTE ON PAGE 1  
FOR EXPLANATION.

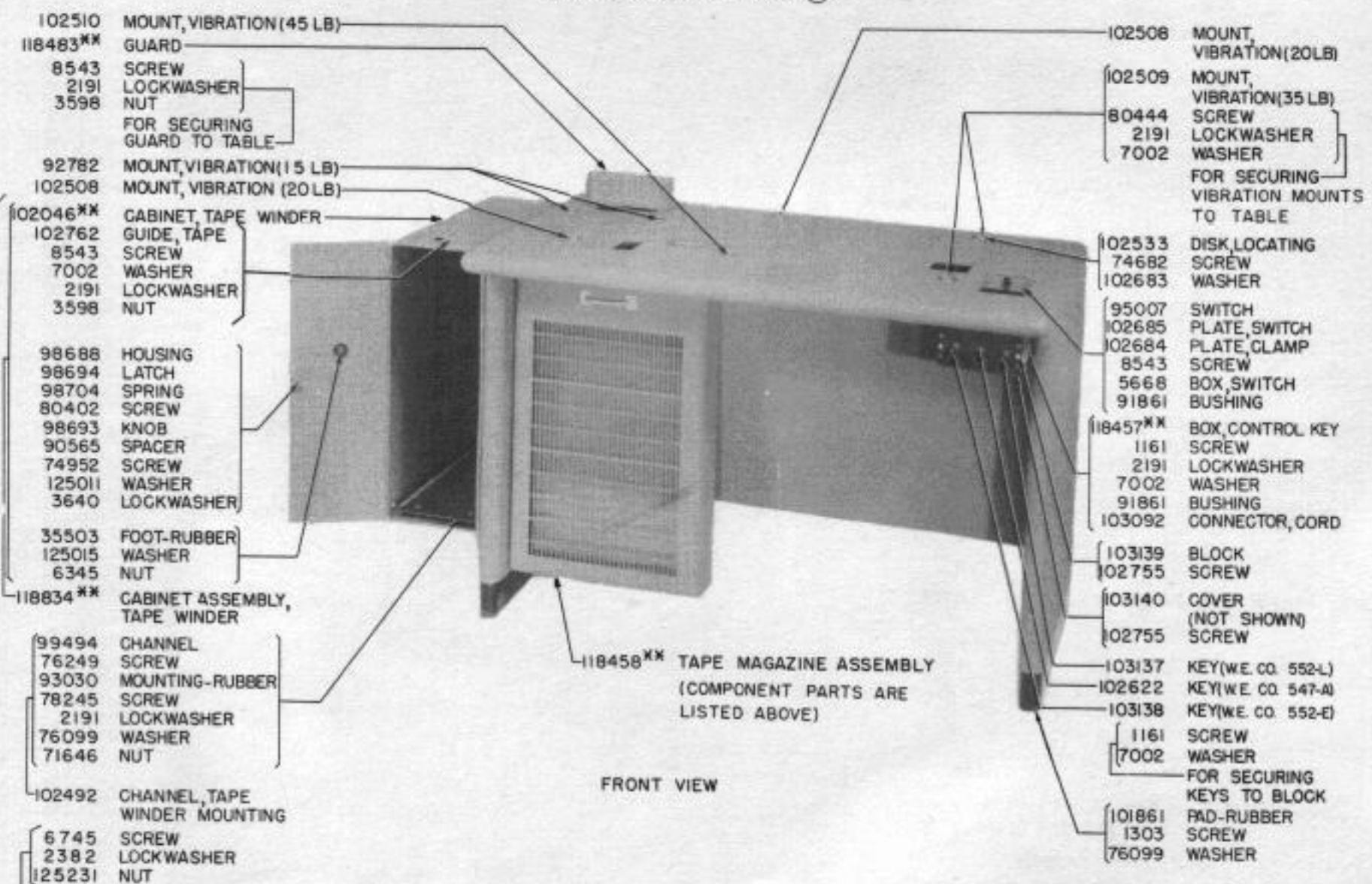
XRT114 TABLE ACCOMMODATES A MODEL 19 PAGE PRINTER SET  
(BLACK WRINKLE)

ORIGINAL





FRONT VIEW  
118458\*\* TAPE MAGAZINE ASSEMBLY (REAR VIEW)  
(EXCLUDES PARTS MARKED (A))

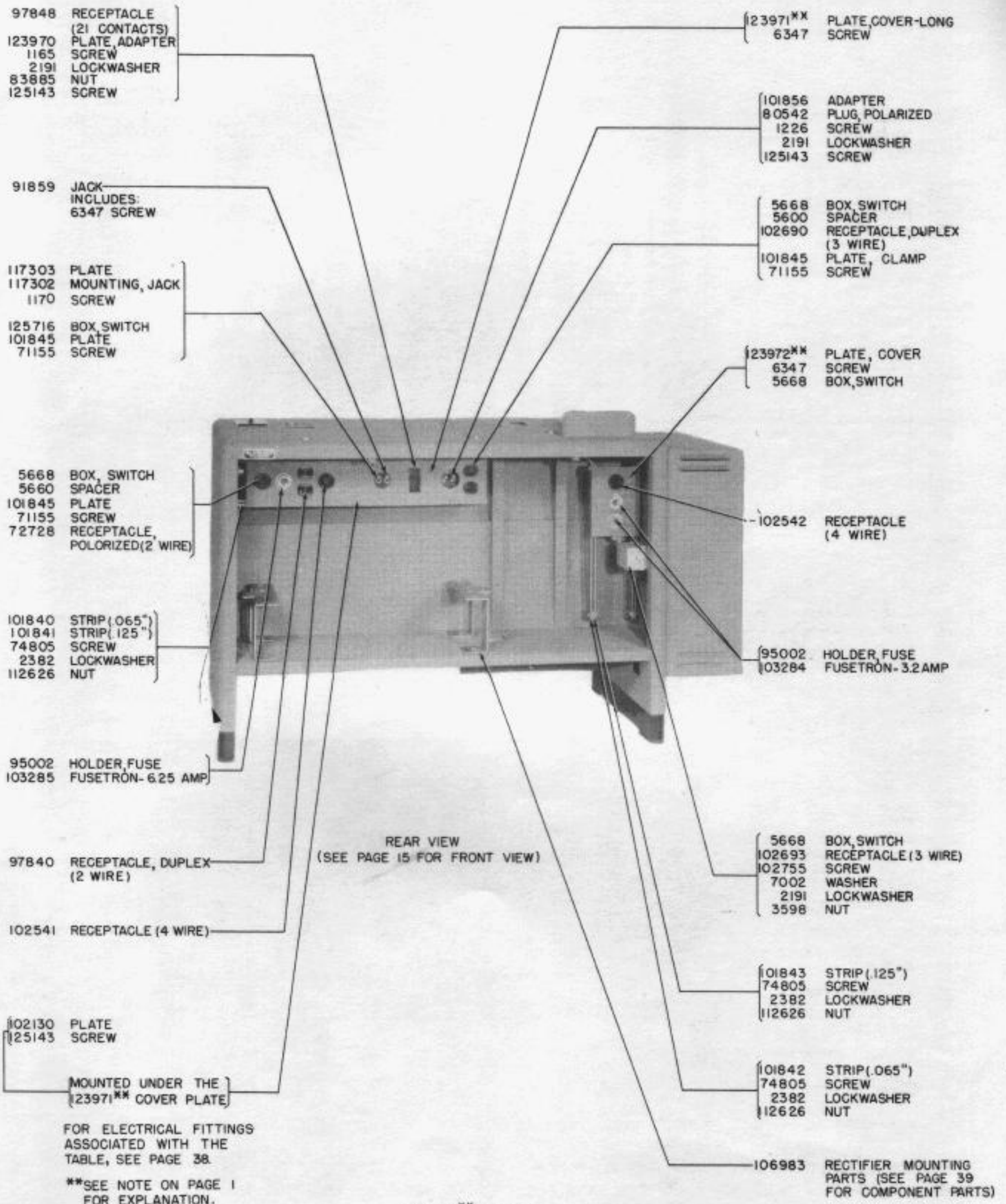


FRONT VIEW

NOTE:  
SEE PAGE 17 FOR REAR VIEW OF THE ABOVE TABLE.  
\*\*SEE NOTE ON PAGE 1 FOR EXPLANATION.

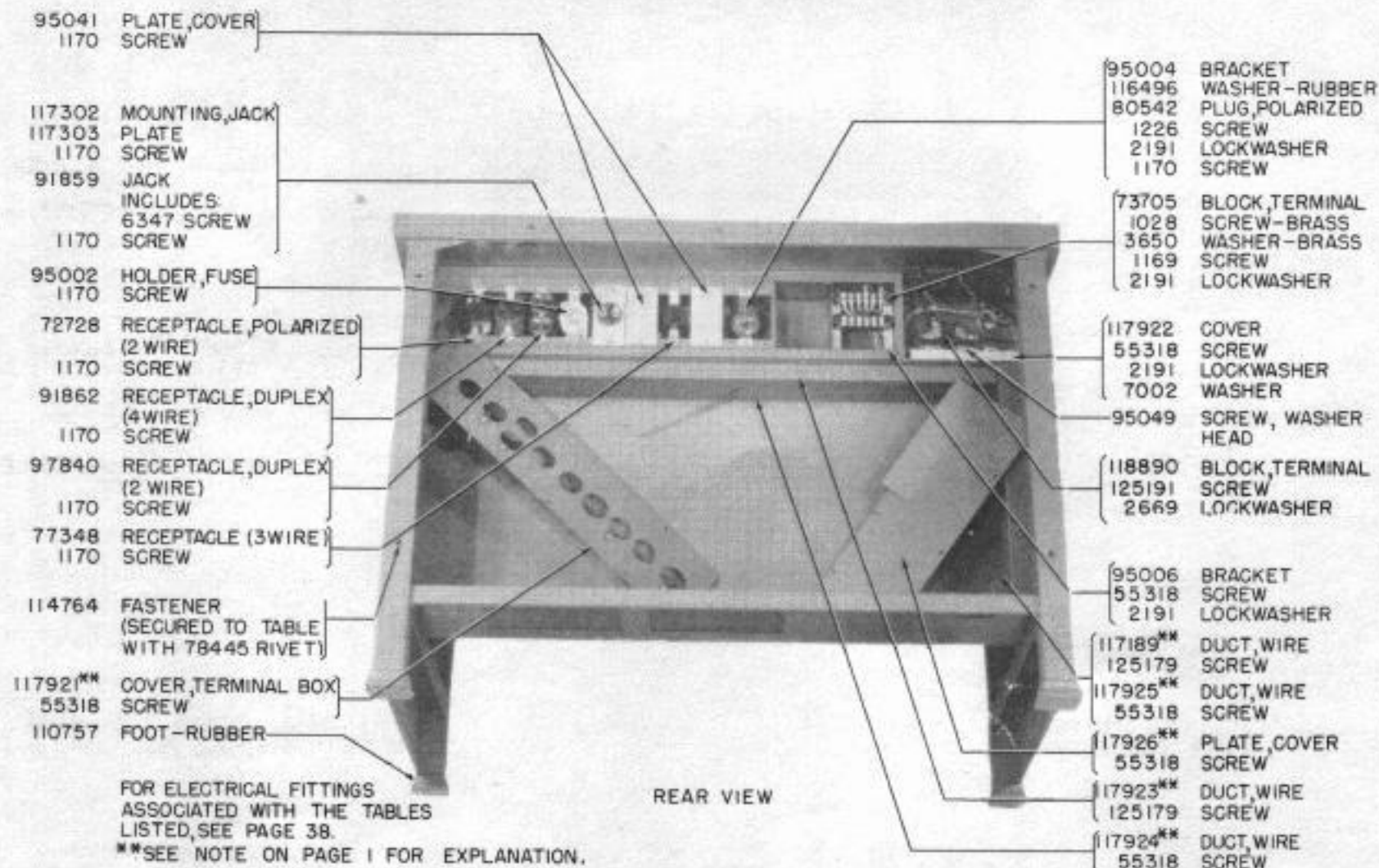
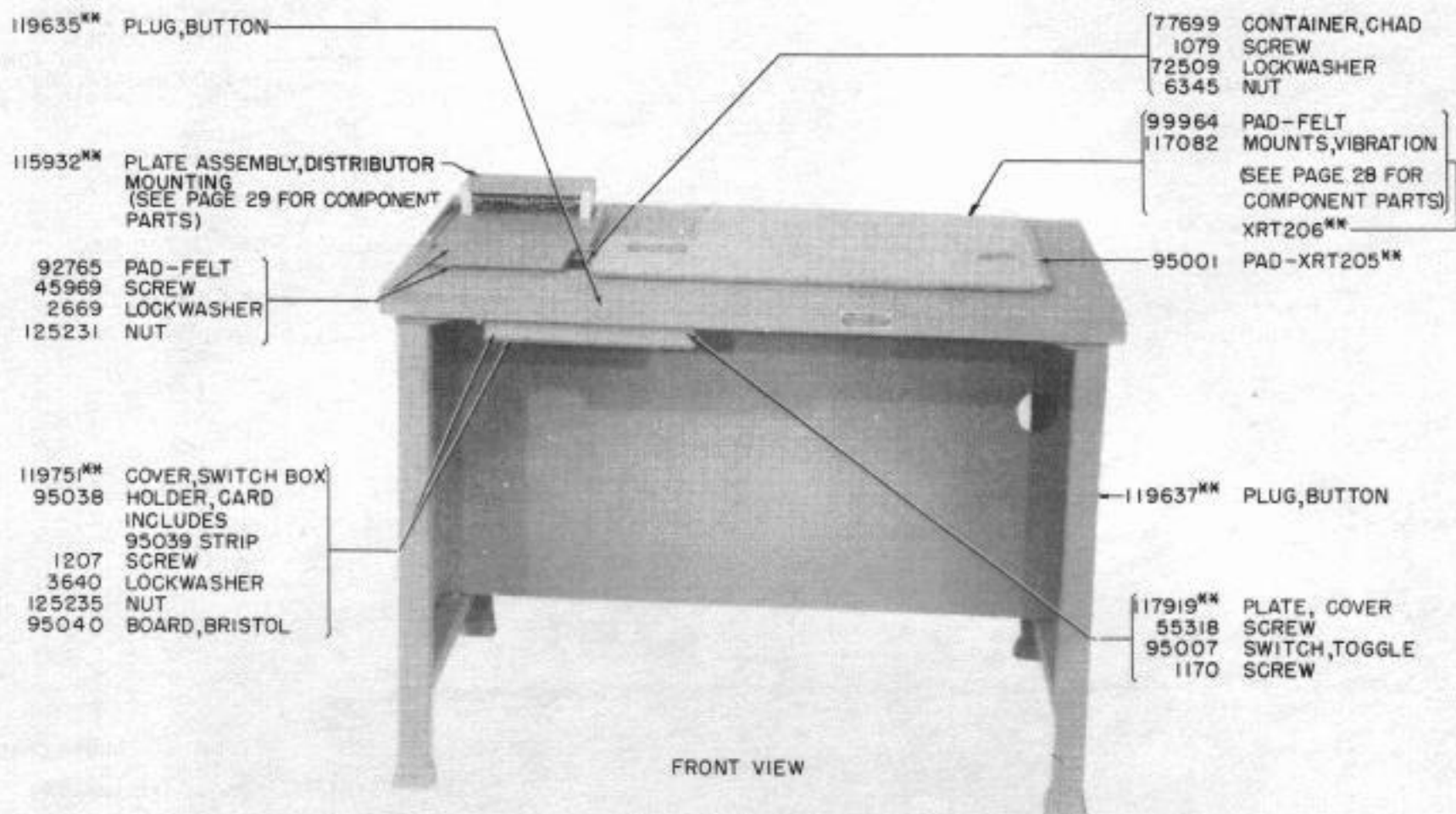
XRT204\*\* (BELL 1198) TABLE ACCOMMODATES A MODEL 19 PAGE PRINTER SET





REAR VIEW  
(SEE PAGE 15 FOR FRONT VIEW)

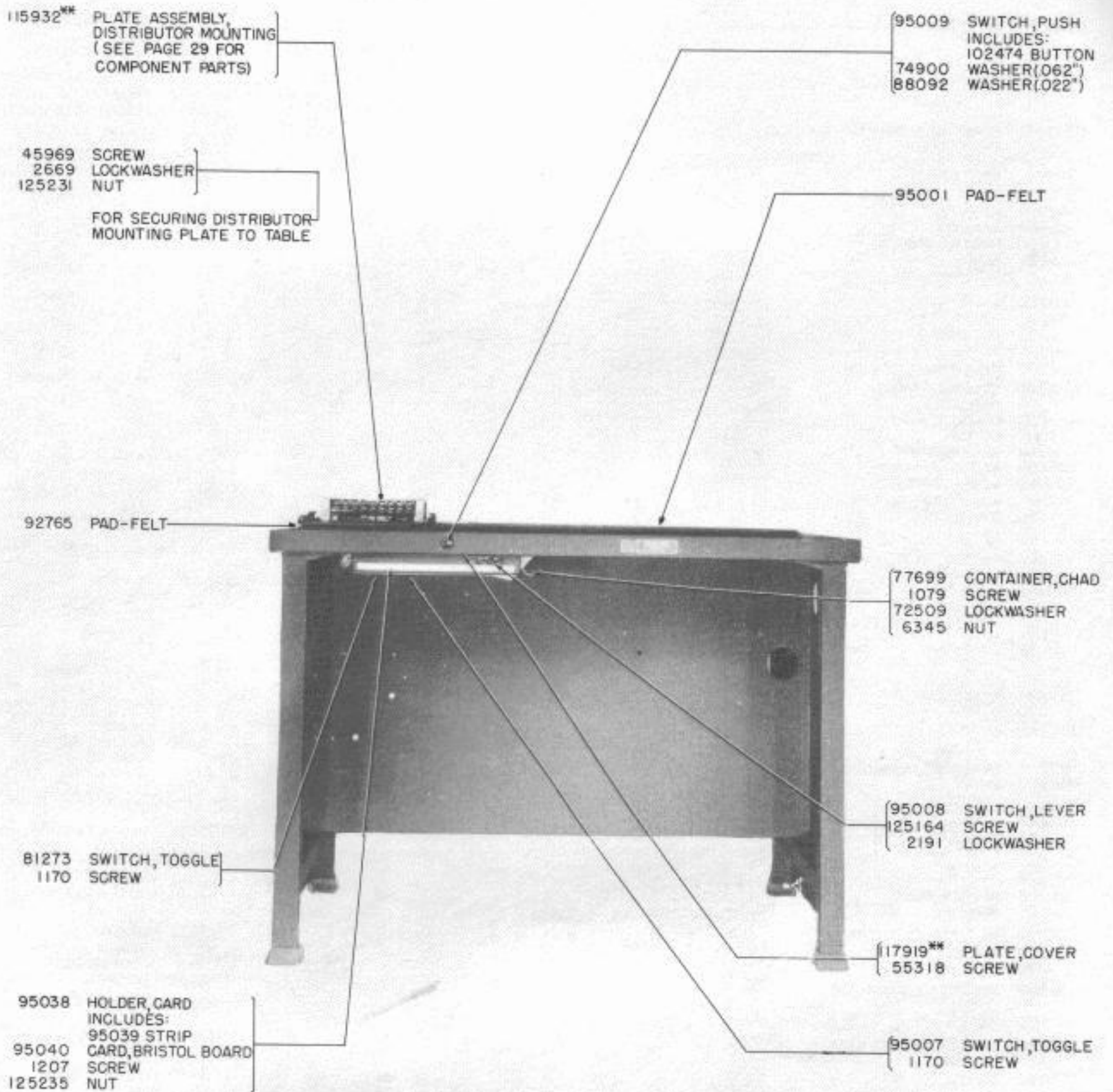
XRT204\*\* TABLE



XRT205\*\* AND XRT206\*\* TABLES ACCOMMODATES MODEL 19 PAGE PRINTER SETS  
(THEY ARE THE SAME EXCEPT XRT206\*\* TABLE IS EQUIPPED WITH VIBRATION MOUNTS.)

(UNLESS OTHERWISE SPECIFIED ALL PARTS LISTED ON THIS PAGE ARE  
COMMON TO XRT205\*\* AND XRT206\*\*)





NOTE:  
SEE PAGE 20 FOR REAR VIEW OF THE ABOVE TABLE.

\*\*SEE NOTE ON PAGE 1 FOR EXPLANATION.

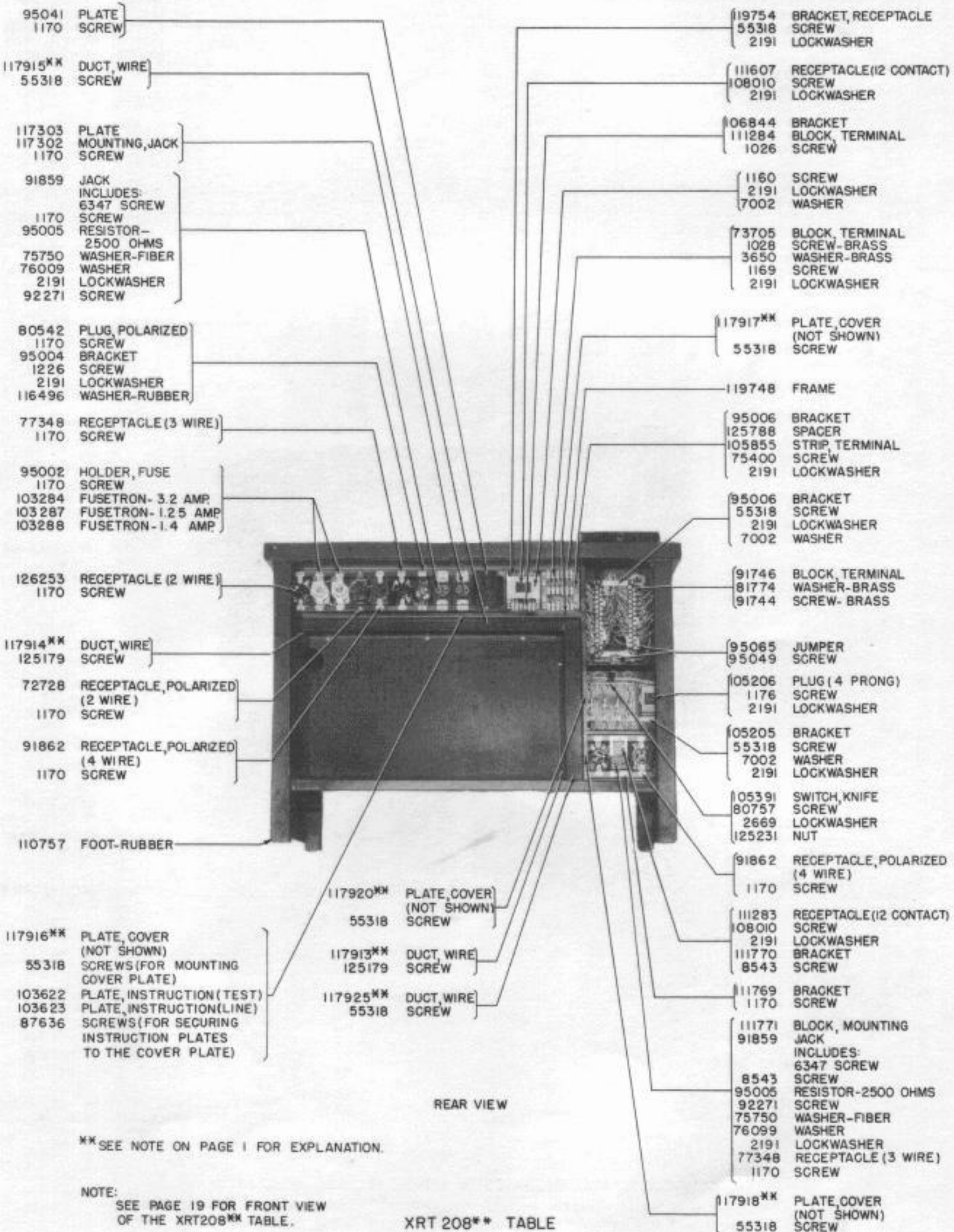
FOR ELECTRICAL FITTING ASSOCIATED WITH THE TABLE, SEE PAGE 38.

FRONT VIEW

XRT208\*\* TABLE ACCOMMODATES A MODEL 19 PAGE PRINTER SET  
(THE XRT211\*\* TABLE IS WITH VIBRATION MOUNTS AND XRT208\*\* TABLE IS WITHOUT VIBRATION MOUNTS)  
(THE XRT208\*\* AND XRT211\*\* TABLES ALSO VARY IN ELECTRICAL COMPONENTS)

ORIGINAL



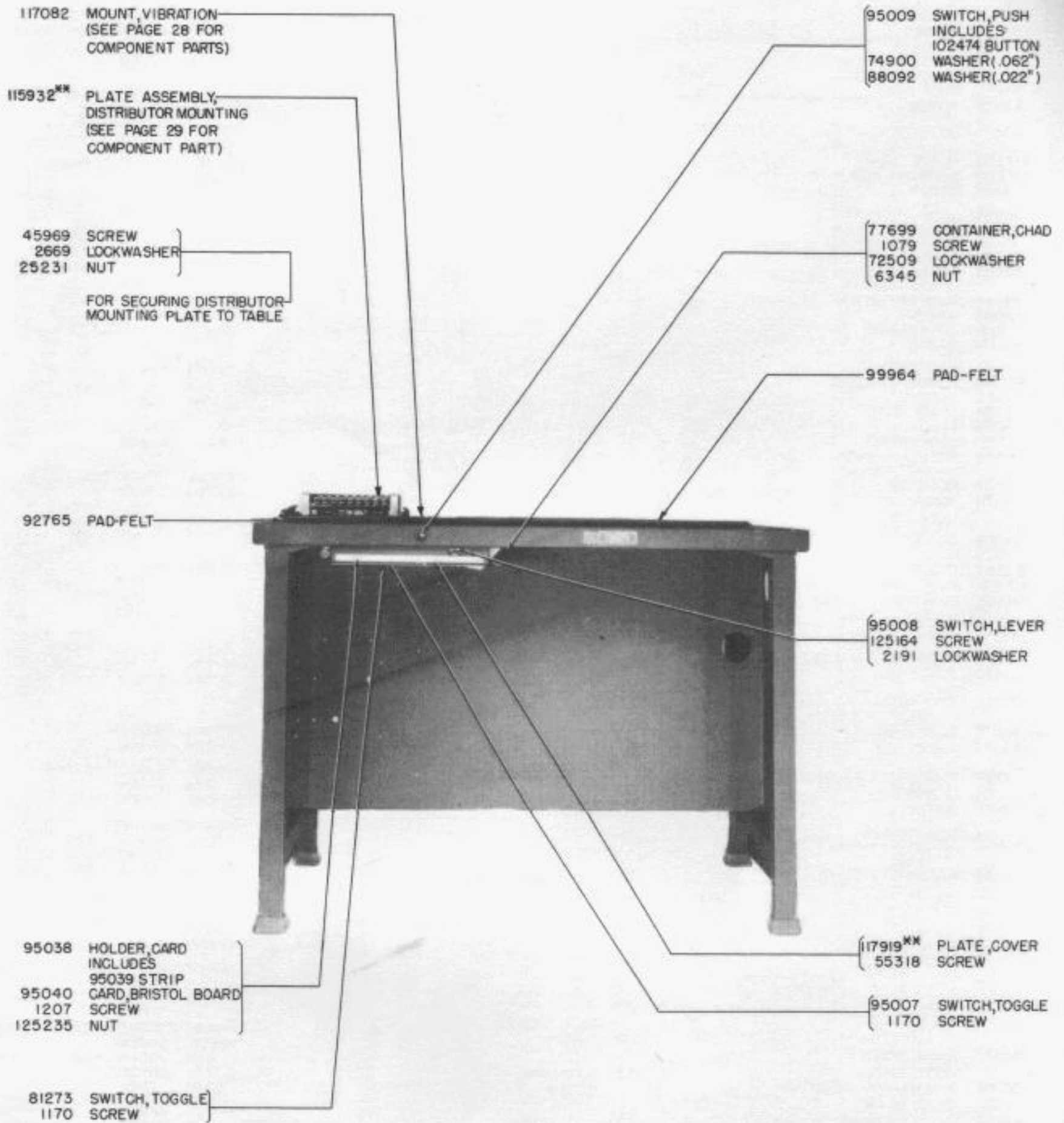


REAR VIEW

\*\* SEE NOTE ON PAGE 1 FOR EXPLANATION.

NOTE:  
SEE PAGE 19 FOR FRONT VIEW  
OF THE XRT208\*\* TABLE.

XRT 208\*\* TABLE



NOTE:  
SEE PAGE 22 FOR  
REAR VIEW OF  
THE ABOVE TABLE.

\*\*SEE NOTE ON PAGE  
1 FOR EXPLANATION.

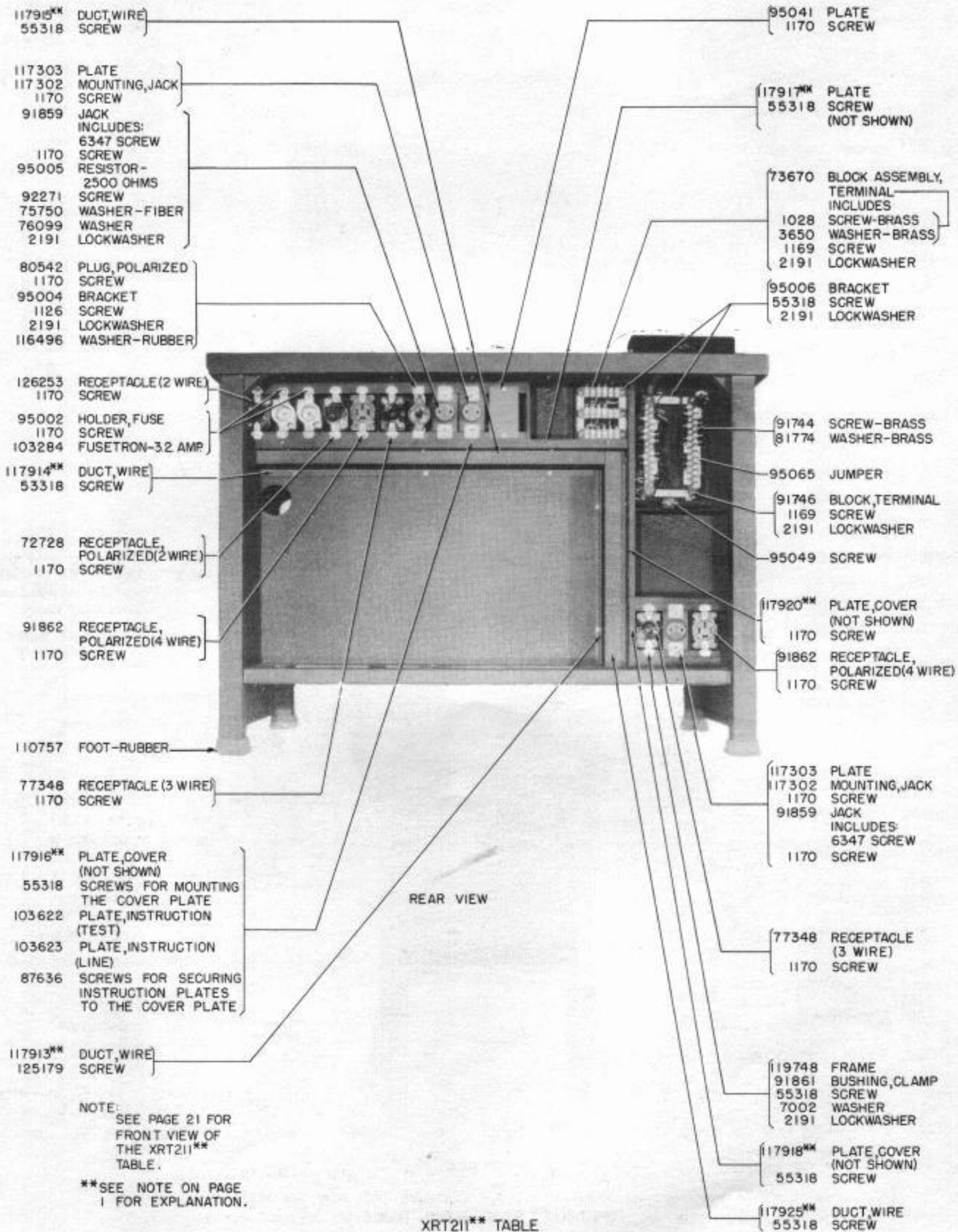
FRONT VIEW

FOR ELECTRICAL FITTINGS ASSOCIATED  
WITH THE TABLE, SEE PAGE 38.

XRT211\*\* TABLE ACCOMMODATES A MODEL 19 PAGE PRINTER SET  
(THE XRT211\*\* TABLE IS WITH VIBRATION MOUNTS AND XRT208\*\* TABLE IS WITHOUT VIBRATION MOUNTS)  
(XRT208\*\* AND XRT211\*\* TABLES ALSO VARY IN ELECTRICAL COMPONENTS)

ORIGINAL



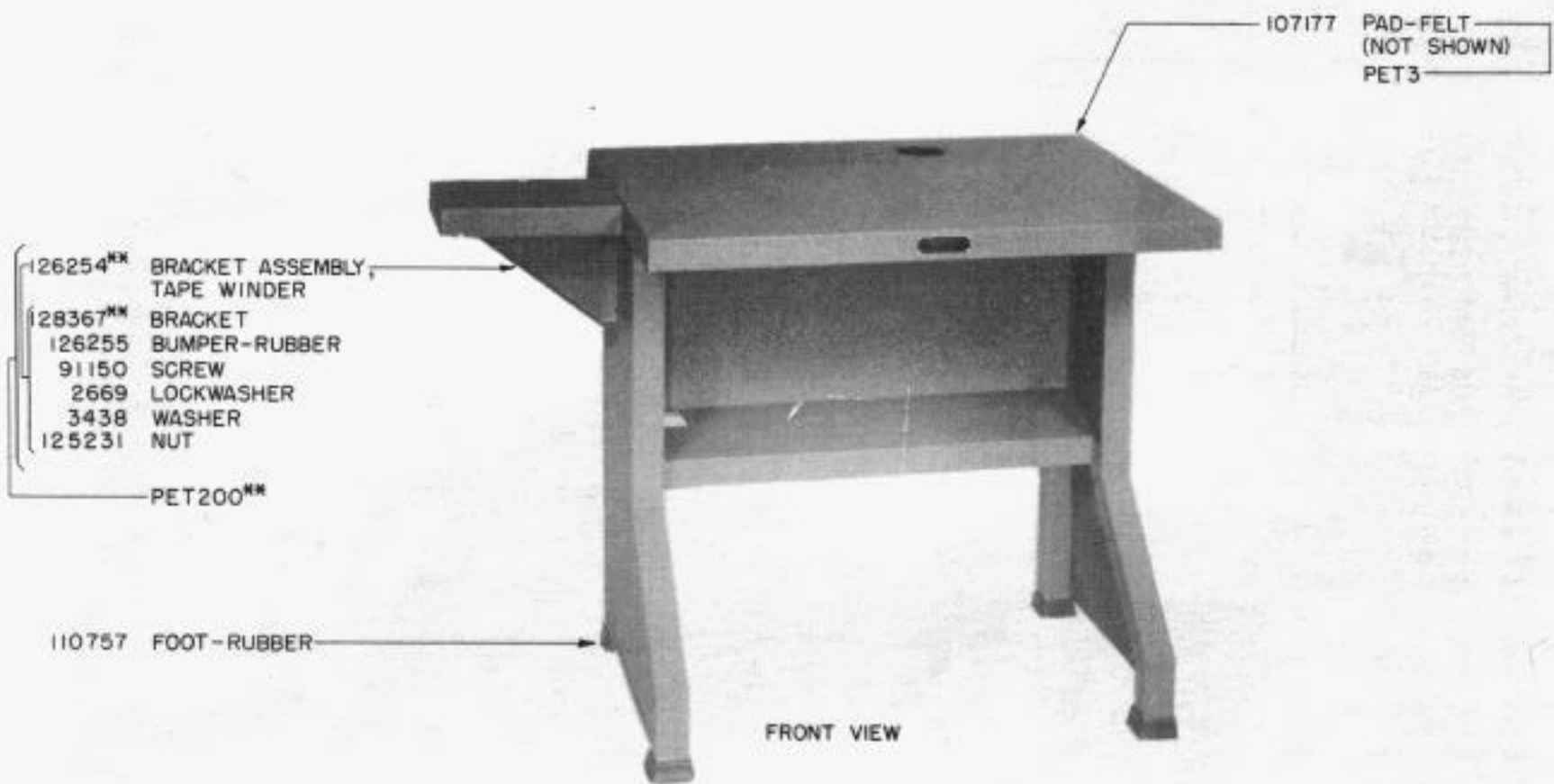


REAR VIEW

XRT211\*\* TABLE

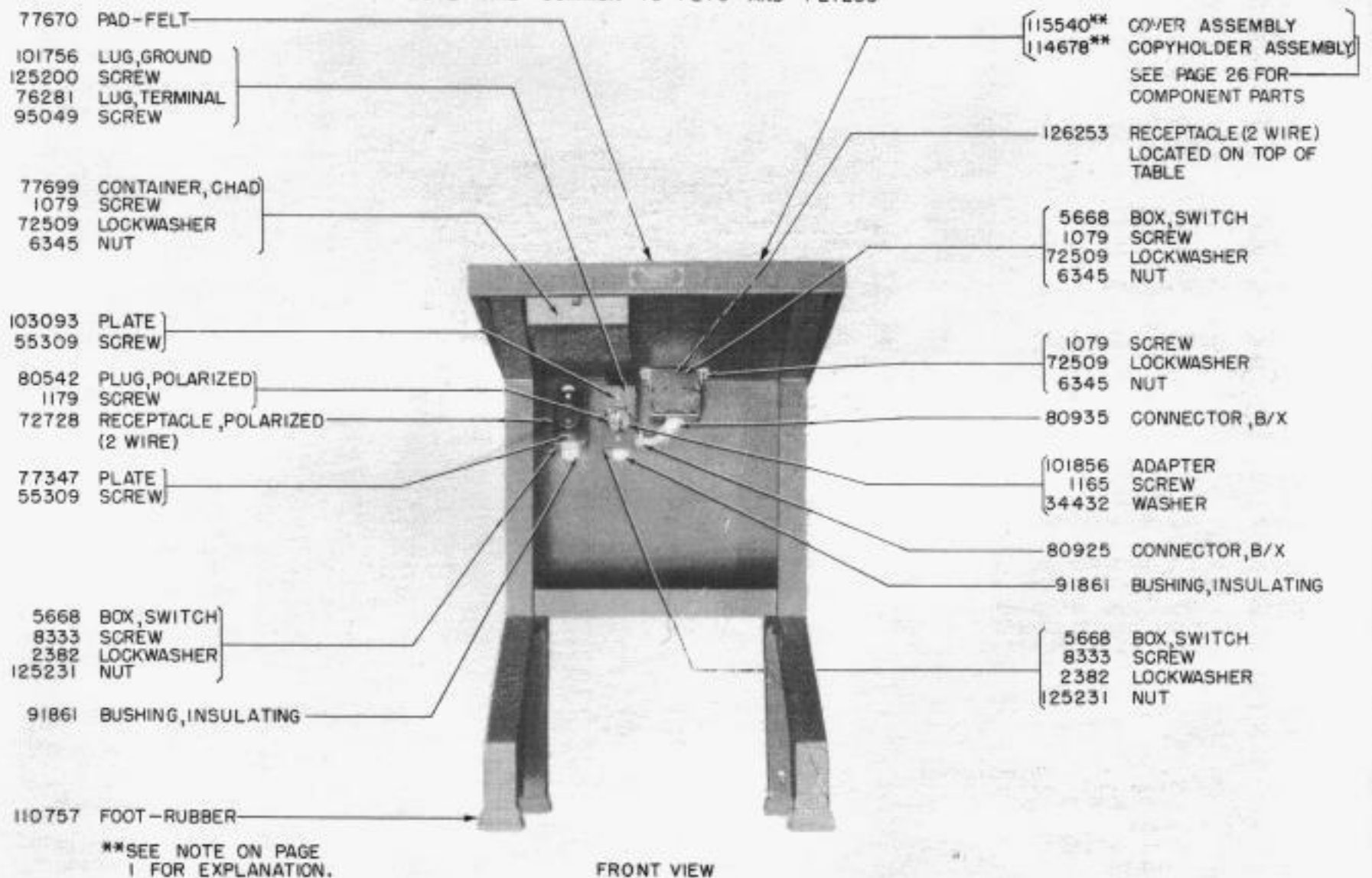
ORIGINAL





PET3 PERFORATOR TABLE (BLACK WRINKLE)  
 PET200\*\* PERFORATOR TABLE

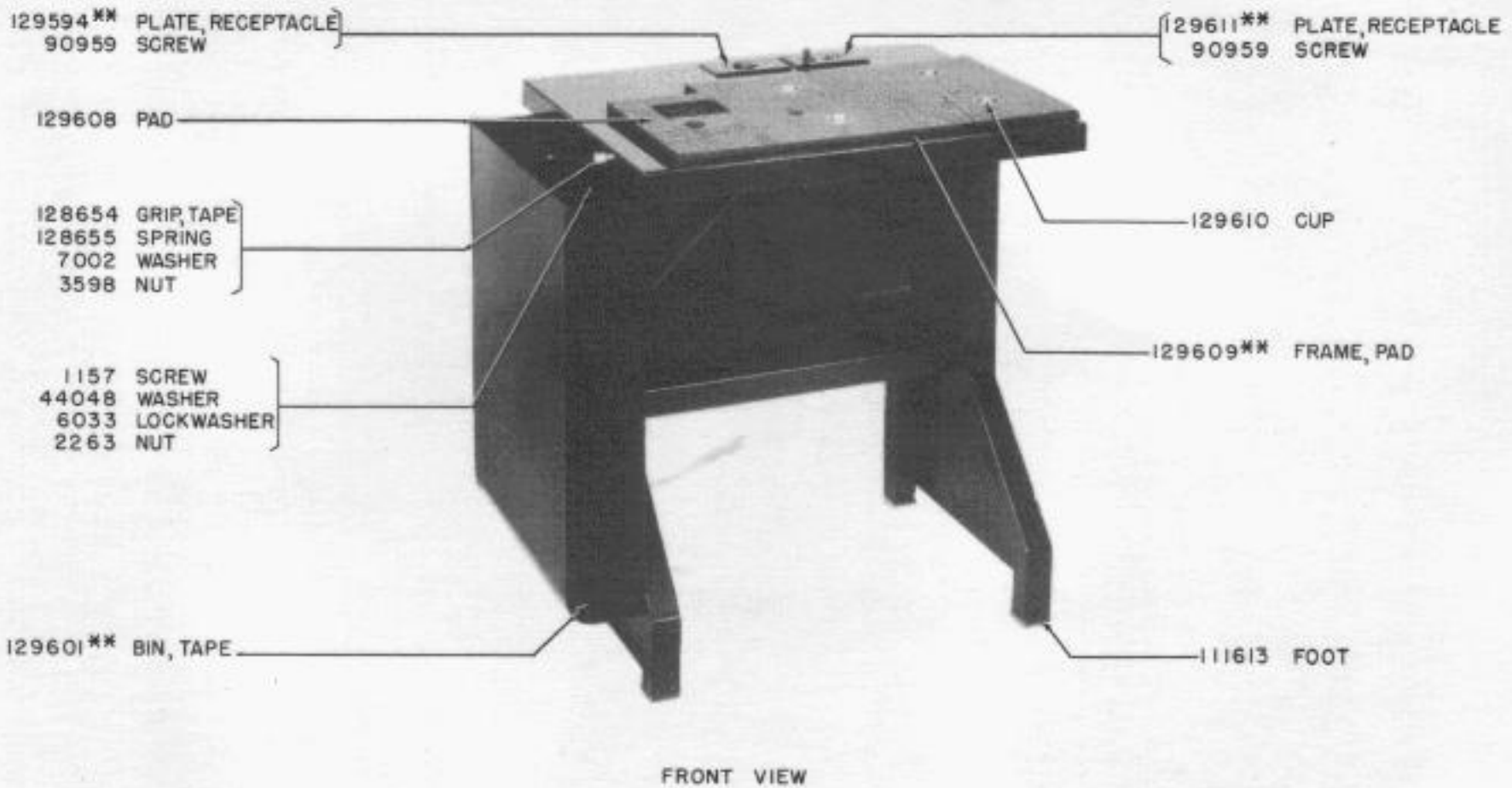
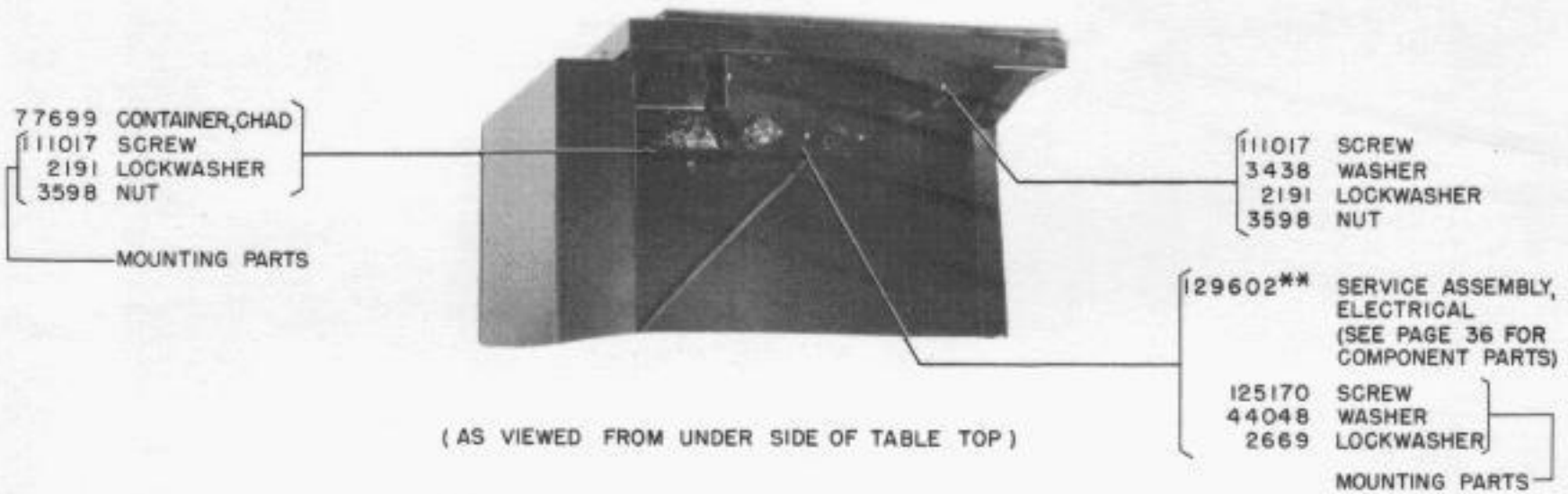
UNLESS OTHERWISE SPECIFIED ALL PARTS LISTED ABOVE ARE COMMON TO PET3 AND PET200\*\*



\*\*SEE NOTE ON PAGE 1 FOR EXPLANATION.

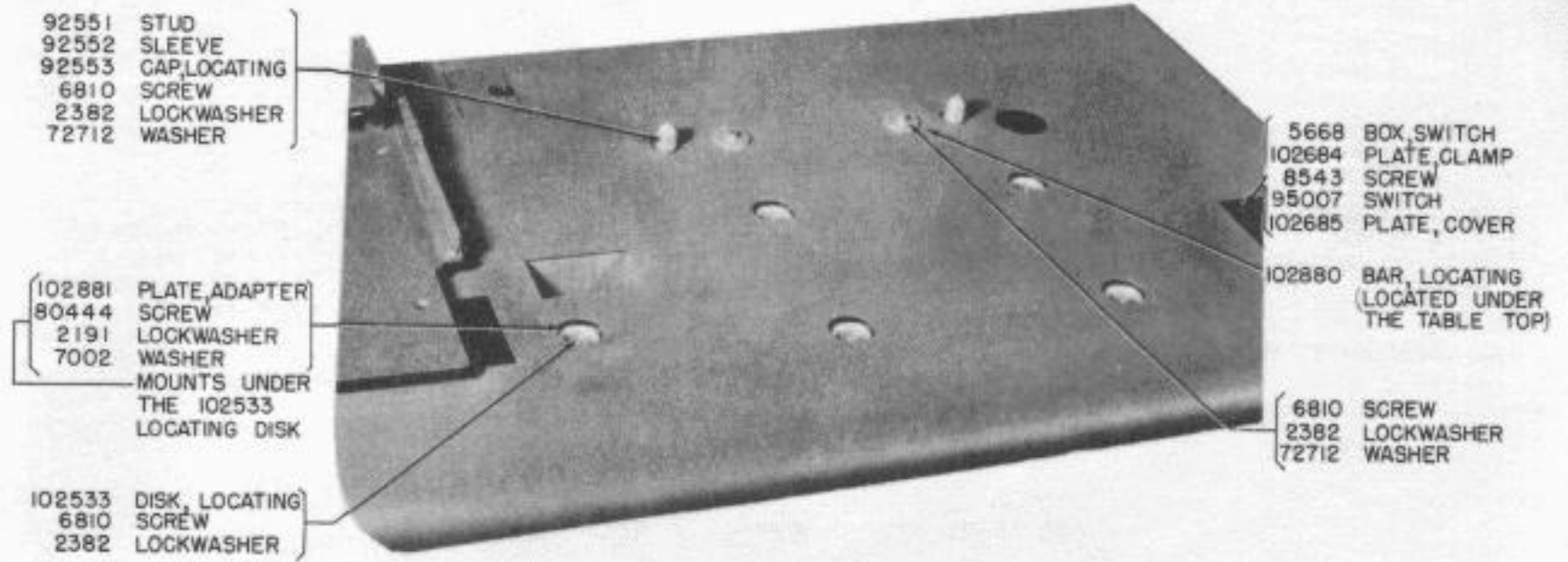
PET200\*\* PERFORATOR TABLE

ORIGINAL



\*\* SEE NOTE ON PAGE 1 FOR EXPLANATION.

PET202\*\* TABLE ACCOMMODATES A PERFORATOR SET



- 92551 STUD
- 92552 SLEEVE
- 92553 CAP, LOCATING
- 6810 SCREW
- 2382 LOCKWASHER
- 72712 WASHER

- 5668 BOX, SWITCH
- 102684 PLATE, CLAMP
- 8543 SCREW
- 95007 SWITCH
- 102685 PLATE, COVER

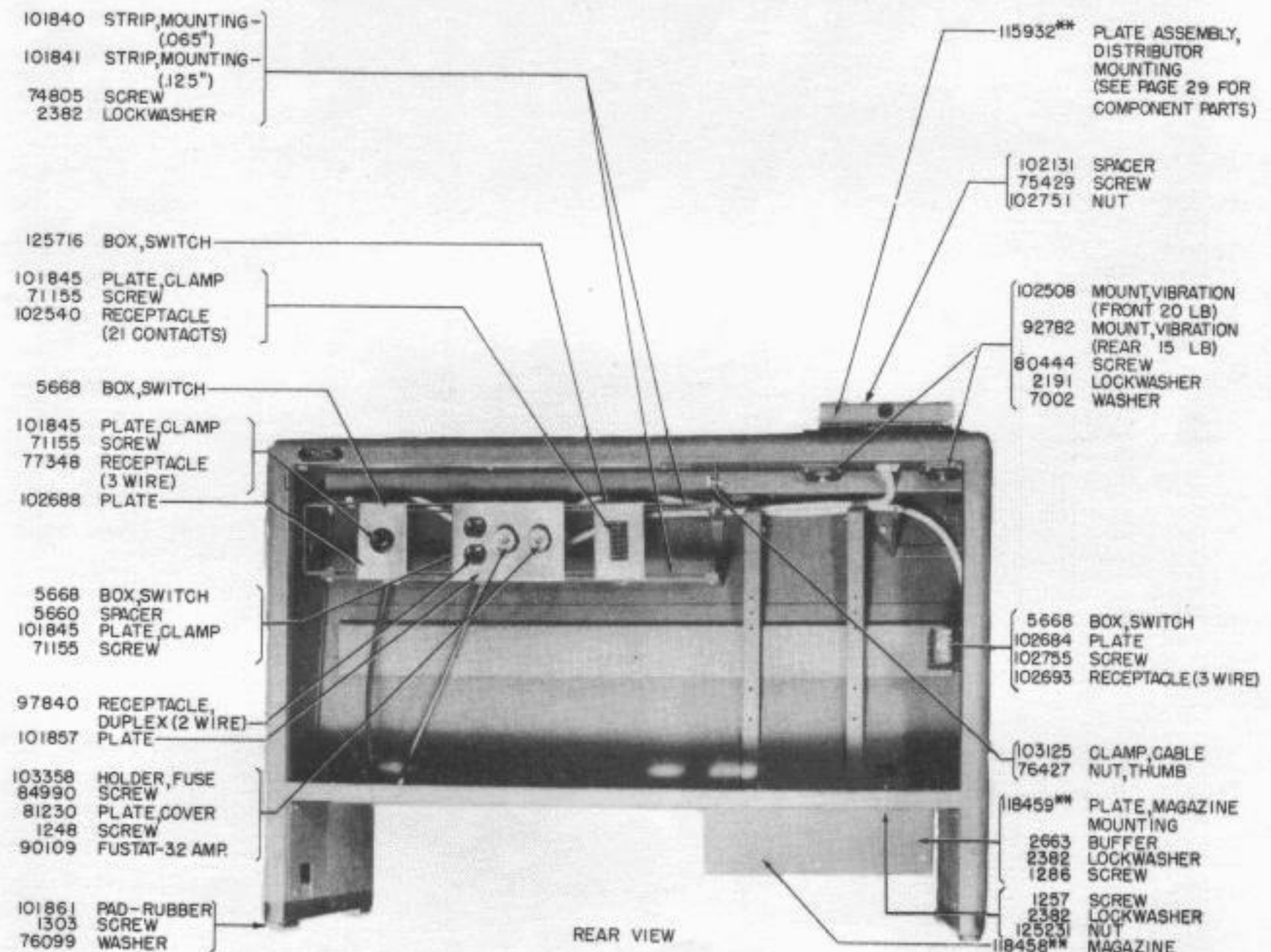
- 102881 PLATE, ADAPTER
  - 80444 SCREW
  - 2191 LOCKWASHER
  - 7002 WASHER
- MOUNTS UNDER THE 102533 LOCATING DISK

- 102880 BAR, LOCATING (LOCATED UNDER THE TABLE TOP)

- 6810 SCREW
- 2382 LOCKWASHER
- 72712 WASHER

- 102533 DISK, LOCATING
- 6810 SCREW
- 2382 LOCKWASHER

PARTIAL TOP VIEW



- 101840 STRIP, MOUNTING (065")
- 101841 STRIP, MOUNTING (125")
- 74805 SCREW
- 2382 LOCKWASHER

- 115932\*\* PLATE ASSEMBLY, DISTRIBUTOR MOUNTING (SEE PAGE 29 FOR COMPONENT PARTS)

- 102131 SPACER
- 75429 SCREW
- 102751 NUT

- 125716 BOX, SWITCH
- 101845 PLATE, CLAMP
- 71155 SCREW
- 102540 RECEPTACLE (21 CONTACTS)

- 102508 MOUNT, VIBRATION (FRONT 20 LB)
- 92782 MOUNT, VIBRATION (REAR 15 LB)
- 80444 SCREW
- 2191 LOCKWASHER
- 7002 WASHER

- 5668 BOX, SWITCH
- 101845 PLATE, CLAMP
- 71155 SCREW
- 77348 RECEPTACLE (3 WIRE)
- 102688 PLATE

- 5668 BOX, SWITCH
- 102684 PLATE
- 102755 SCREW
- 102693 RECEPTACLE (3 WIRE)

- 5668 BOX, SWITCH
- 5660 SPACER
- 101845 PLATE, CLAMP
- 71155 SCREW

- 97840 RECEPTACLE, DUPLEX (2 WIRE)
- 101857 PLATE

- 103125 CLAMP, CABLE
- 76427 NUT, THUMB

- 103358 HOLDER, FUSE
- 84990 SCREW
- 81230 PLATE, COVER
- 1248 SCREW
- 90109 FUSTAT-32 AMP

- 118459\*\* PLATE, MAGAZINE MOUNTING
- 2663 BUFFER
- 2382 LOCKWASHER
- 1286 SCREW

- 101861 PAD-RUBBER
- 1303 SCREW
- 76099 WASHER

- 1257 SCREW
- 2382 LOCKWASHER
- 125231 NUT
- 118458\*\* MAGAZINE ASSEMBLY

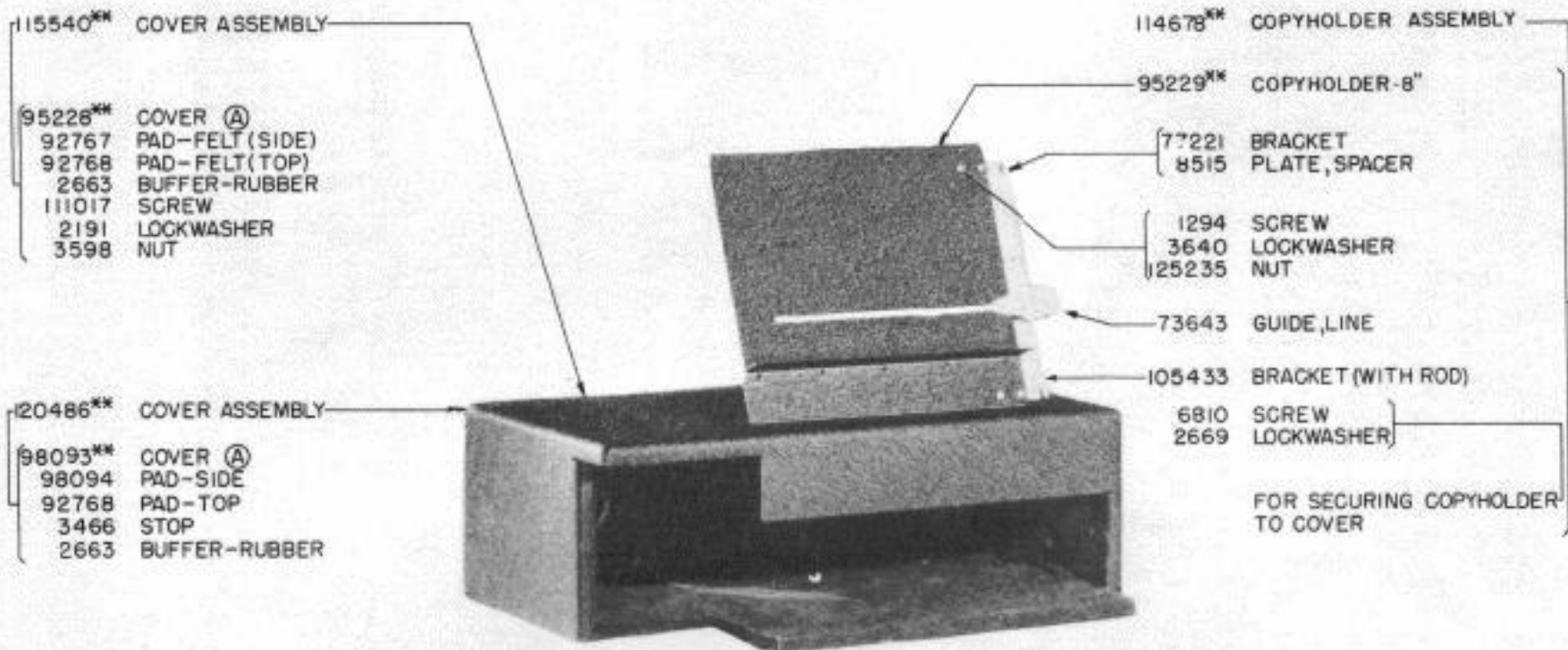
REAR VIEW

\*\*SEE NOTE ON PAGE 1 FOR EXPLANATION.

FOR ELECTRICAL FITTINGS ASSOCIATED WITH THE TABLE, SEE PAGE 38.

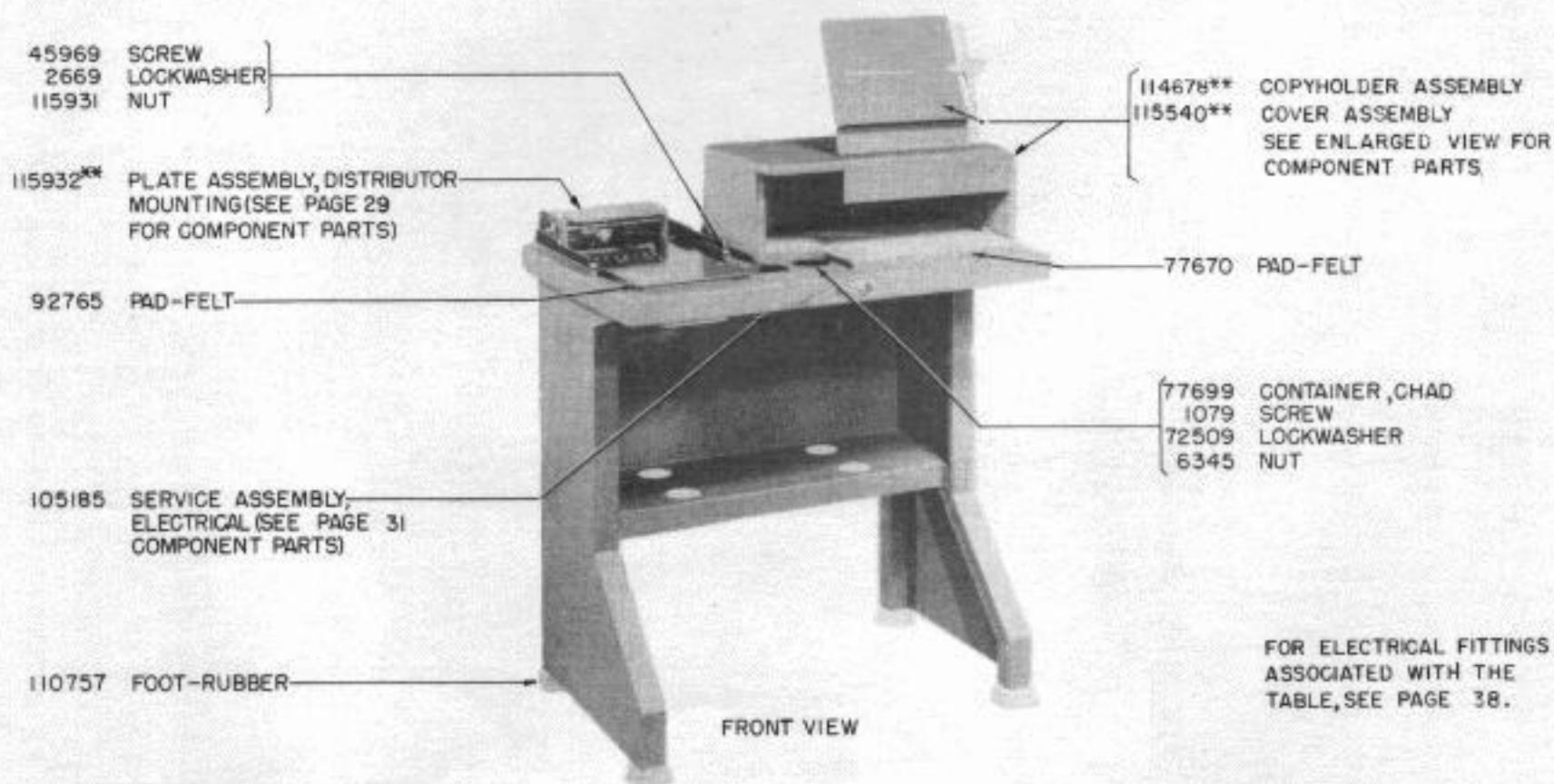
XT41 TABLE ACCOMMODATES A PERFORATOR AND A TRANSMITTER DISTRIBUTOR (DARK BROWN WRINKLE)





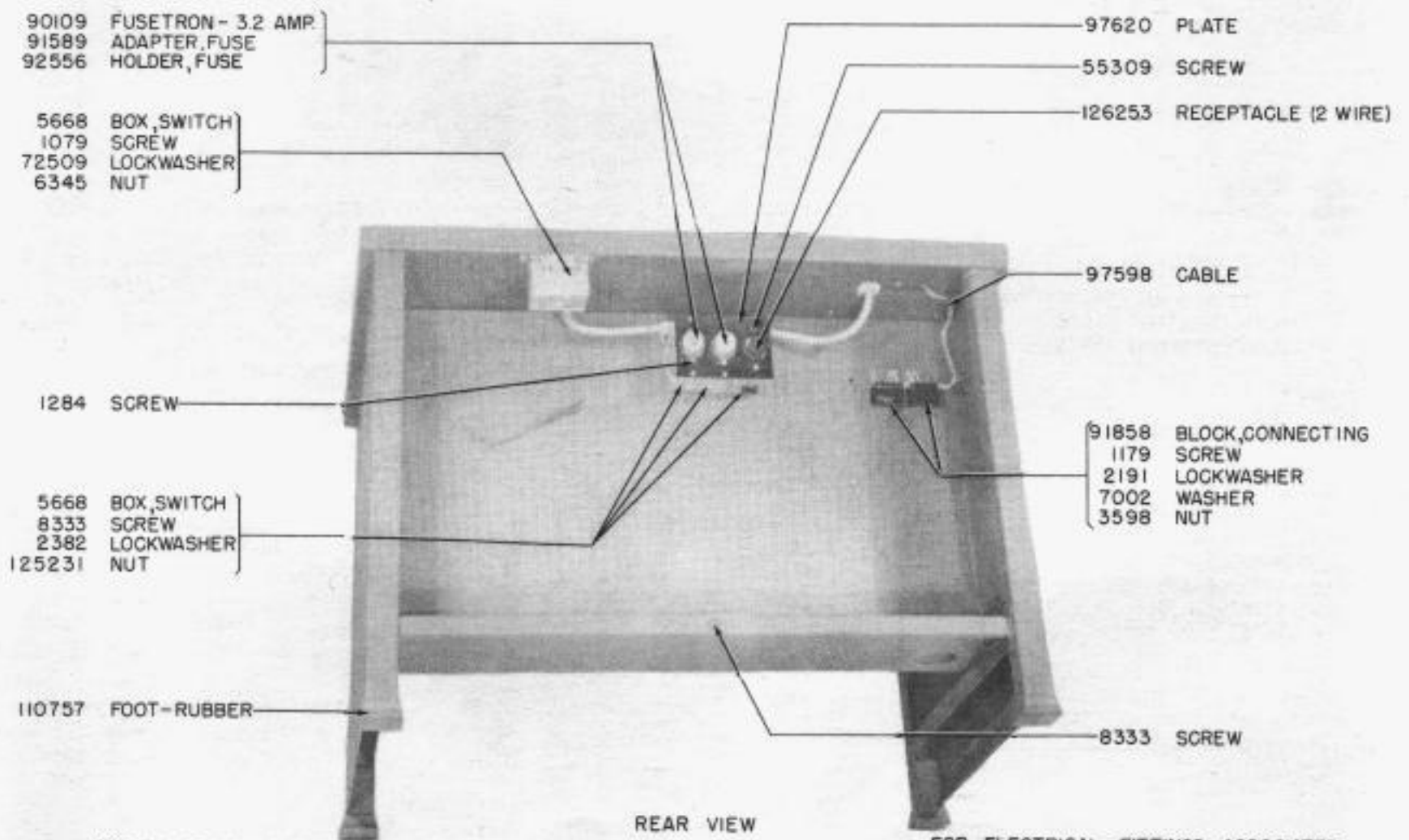
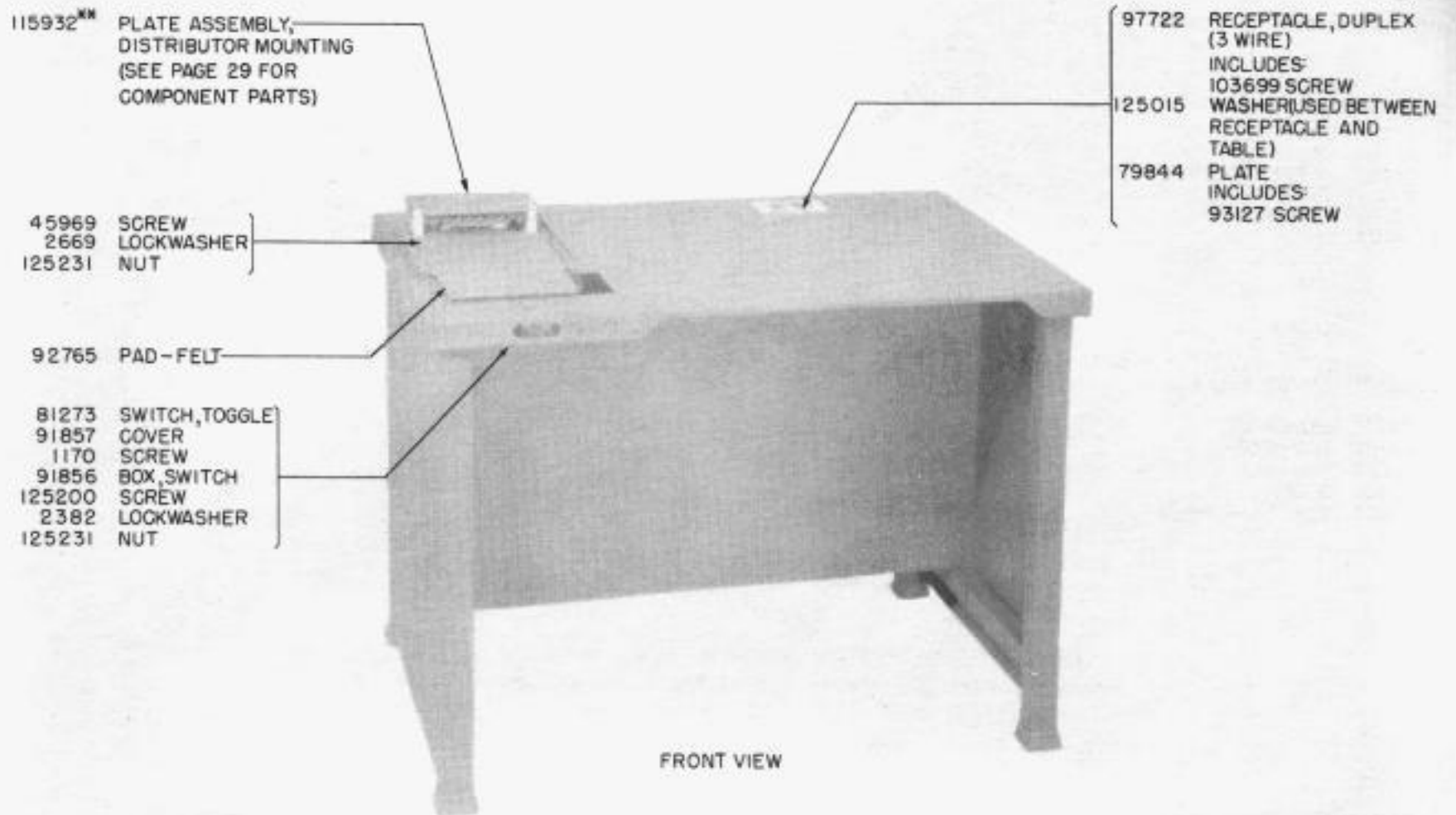
115708\*\* PERFORATOR COVER WITH COPYHOLDER ASSEMBLY  
 (INCLUDES 114678\*\* COPYHOLDER ASSEMBLY AND 115540\*\* COVER ASSEMBLY)  
 115758\*\* PERFORATOR COVER WITH COPYHOLDER ASSEMBLY  
 (INCLUDES 114678\*\* COPYHOLDER ASSEMBLY AND 120486\*\* COVER ASSEMBLY)

(A) THE 95228\*\* COVER HAS A HINGE WITH PROVISIONS FOR MOUNTING TO A TABLE. THE 98093\*\* COVER DOES NOT HAVE SUCH PROVISIONS.



\*\* SEE NOTE ON PAGE 1 FOR EXPLANATION.

XT200\*\* TABLE ACCOMMODATES A PERFORATOR AND A TRANSMITTER DISTRIBUTOR



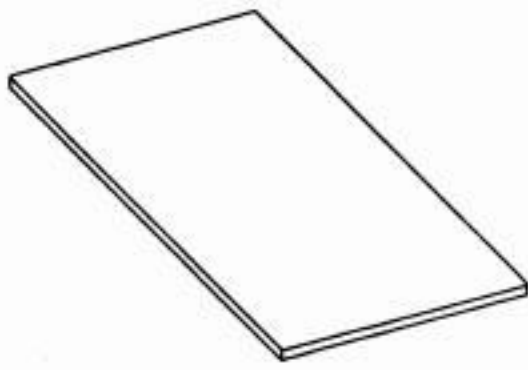
\*\*SEE NOTE ON PAGE 1 FOR EXPLANATION.

FOR ELECTRICAL FITTINGS ASSOCIATED WITH THE TABLE, SEE PAGE 38.

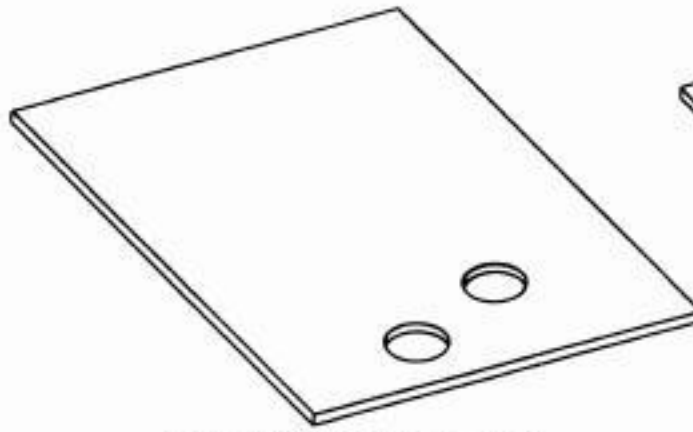
XT201\*\* TABLE ACCOMMODATES A PERFORATOR (TELETYPESETTER) AND A TRANSMITTER DISTRIBUTOR

SILENCING PADS  
VIBRATION MOUNTS

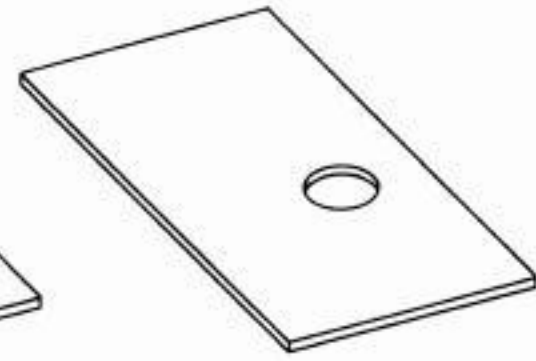
1077B



123495 RUBBER PAD-LEFT  
(15-1/8" X 11-3/4")

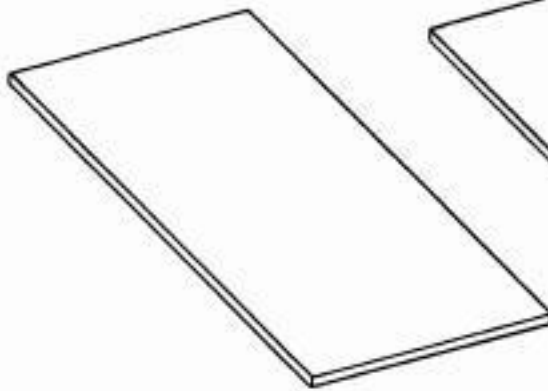


123493 RUBBER PAD-TOP  
(17-1/2" X 17-5/8")

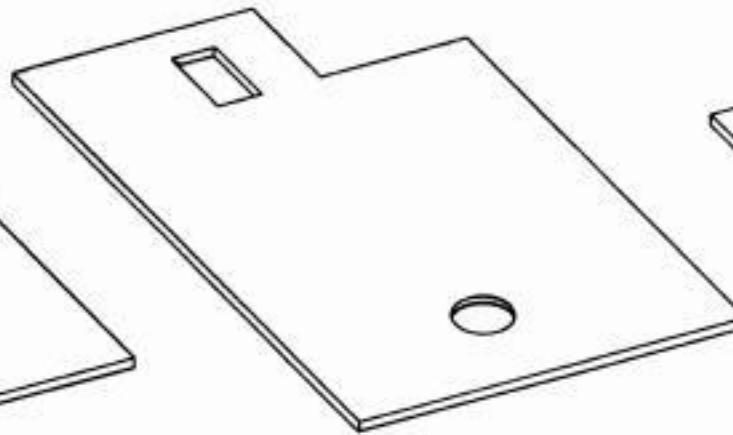


123494 RUBBER PAD-RIGHT  
(15-1/8" X 11-3/4")

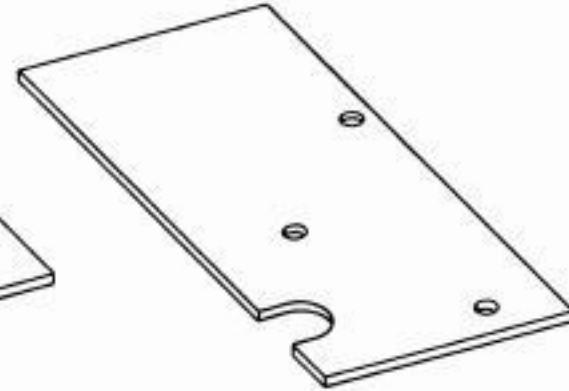
115780 SET OF SILENCING PADS



128376 RUBBER PAD-LEFT  
(12" X 20-1/2")

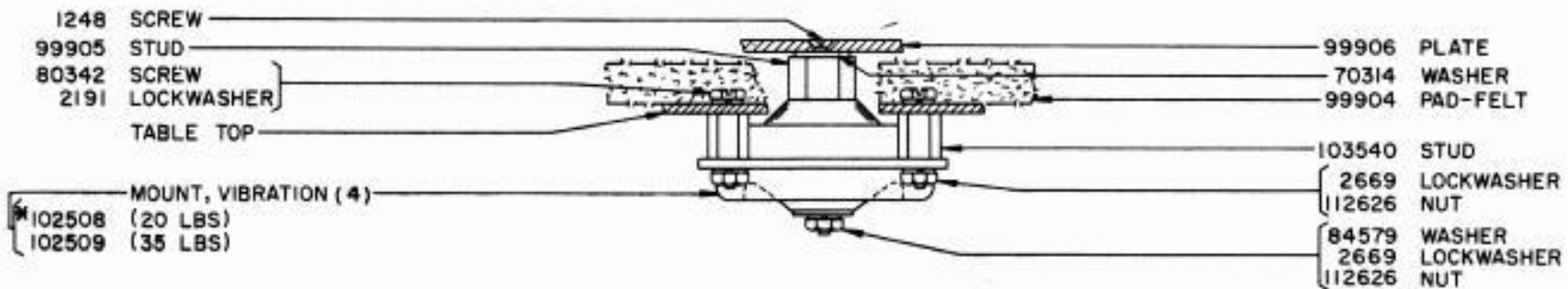


128377 RUBBER PAD-TOP  
(18-1/2" X 23-1/4")

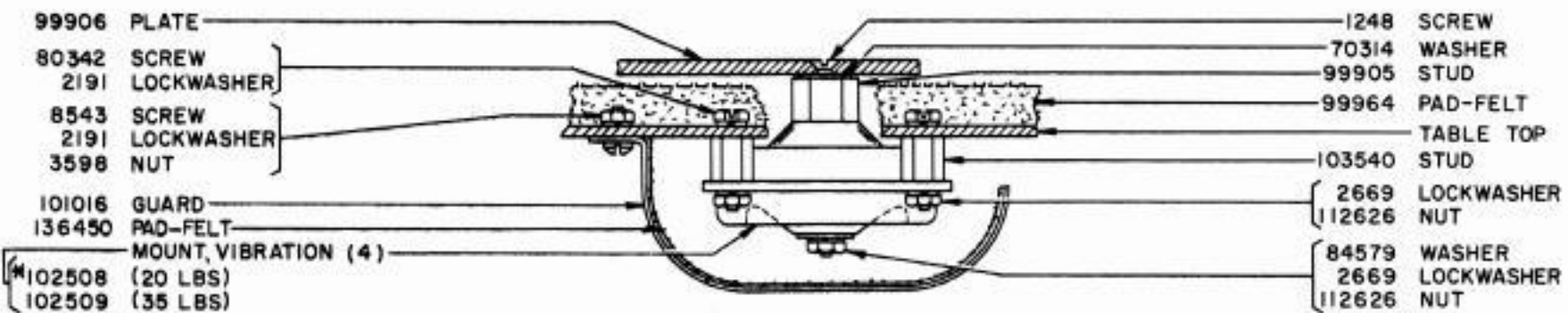


128375 RUBBER PAD-RIGHT  
(12" X 20-1/2")

128374 SET OF SILENCING PADS



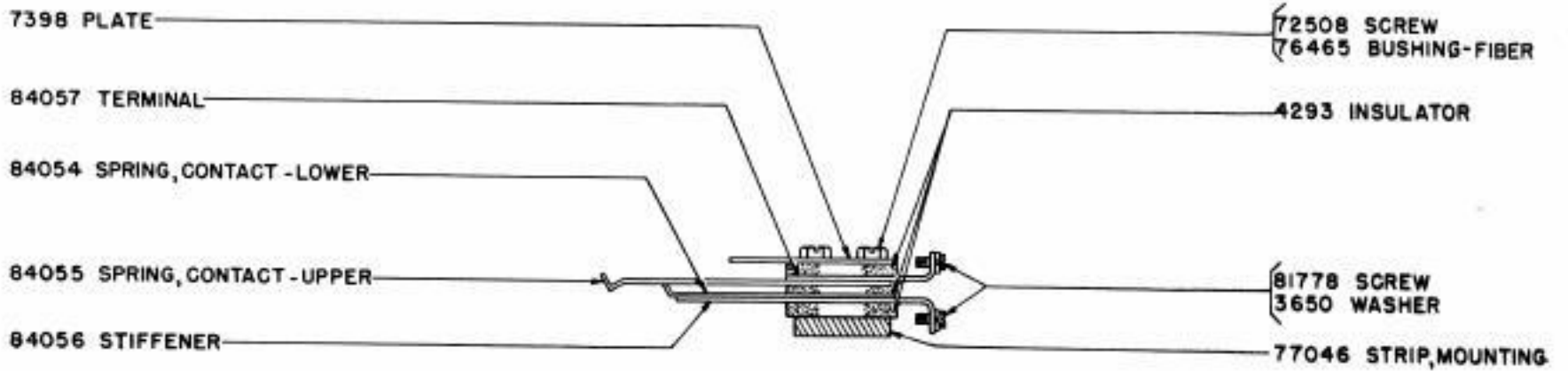
117081 SET OF PARTS TO PROVIDE VIBRATION MOUNTS  
WHEN MOUNTING A MODEL 15 PRINTER ON A TABLE



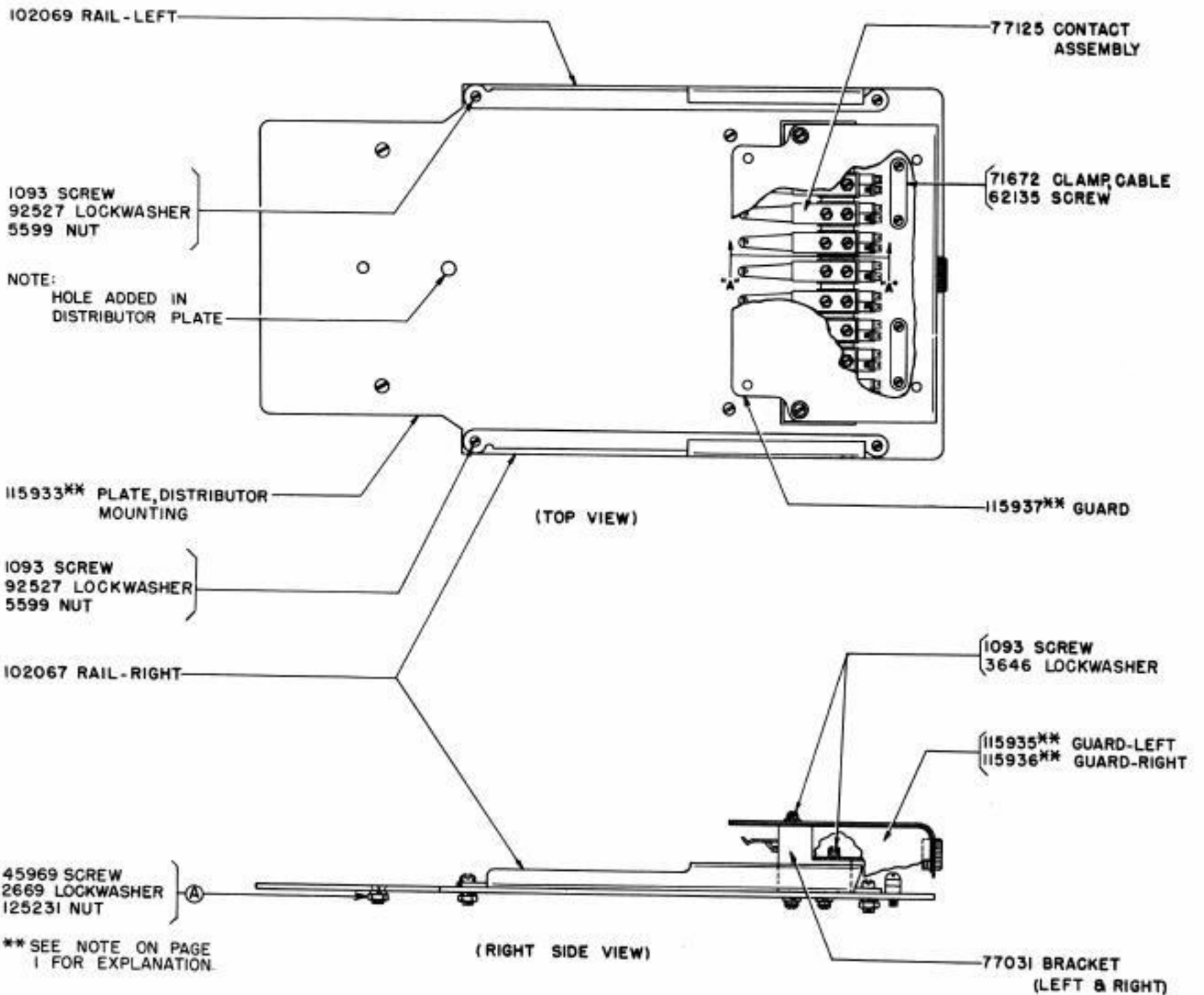
117082 SET OF PARTS TO PROVIDE VIBRATION MOUNTS  
WHEN MOUNTING A MODEL 19 PRINTER SET ON A TABLE

\*THE 102508 (20 LBS.) VIBRATION MOUNT IS TO BE PLACED AT  
THE LEFT REAR SIDE AS VIEWED FROM FRONT OF TABLE.





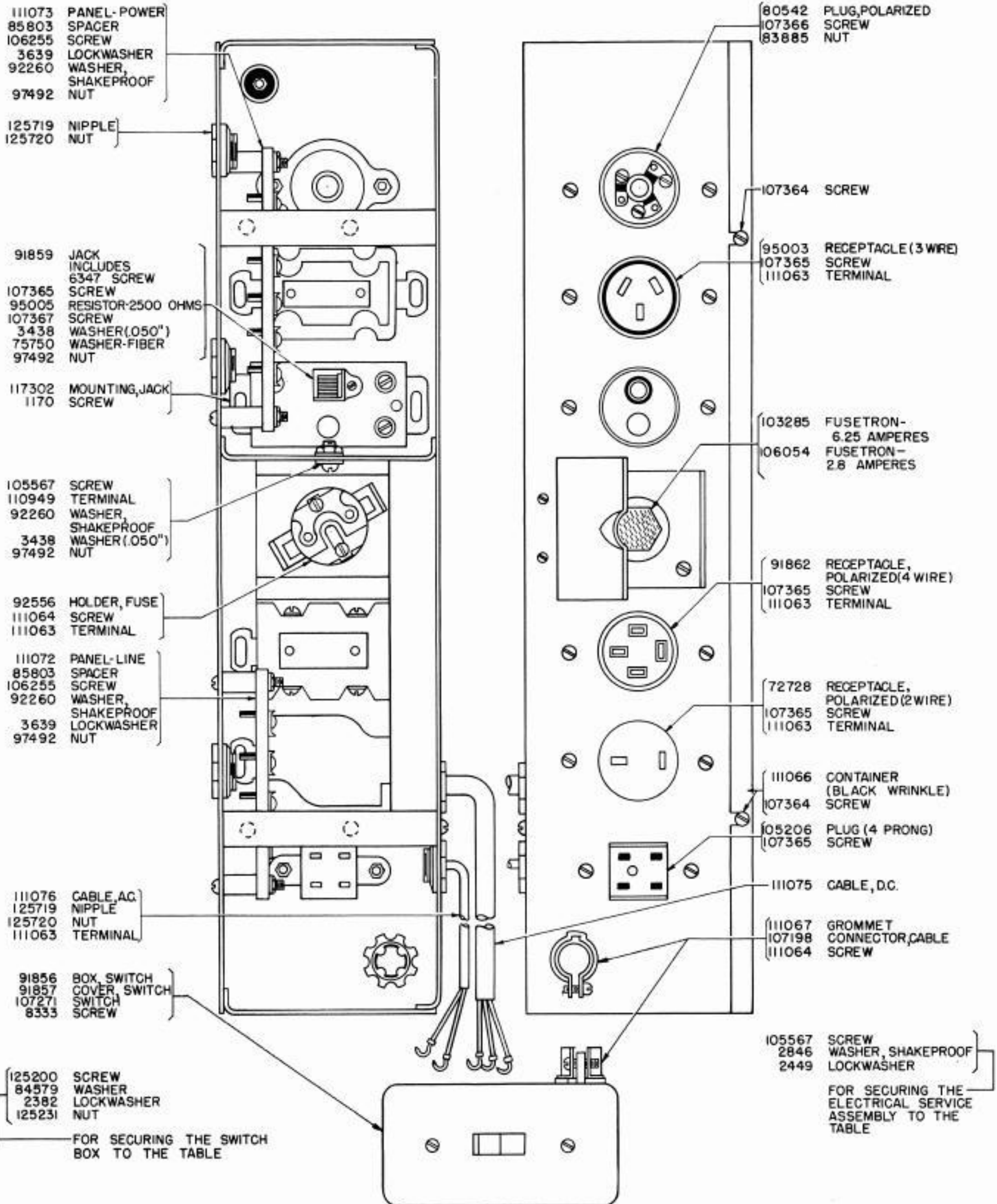
SECTION "A-A"  
77125 CONTACT ASSEMBLY



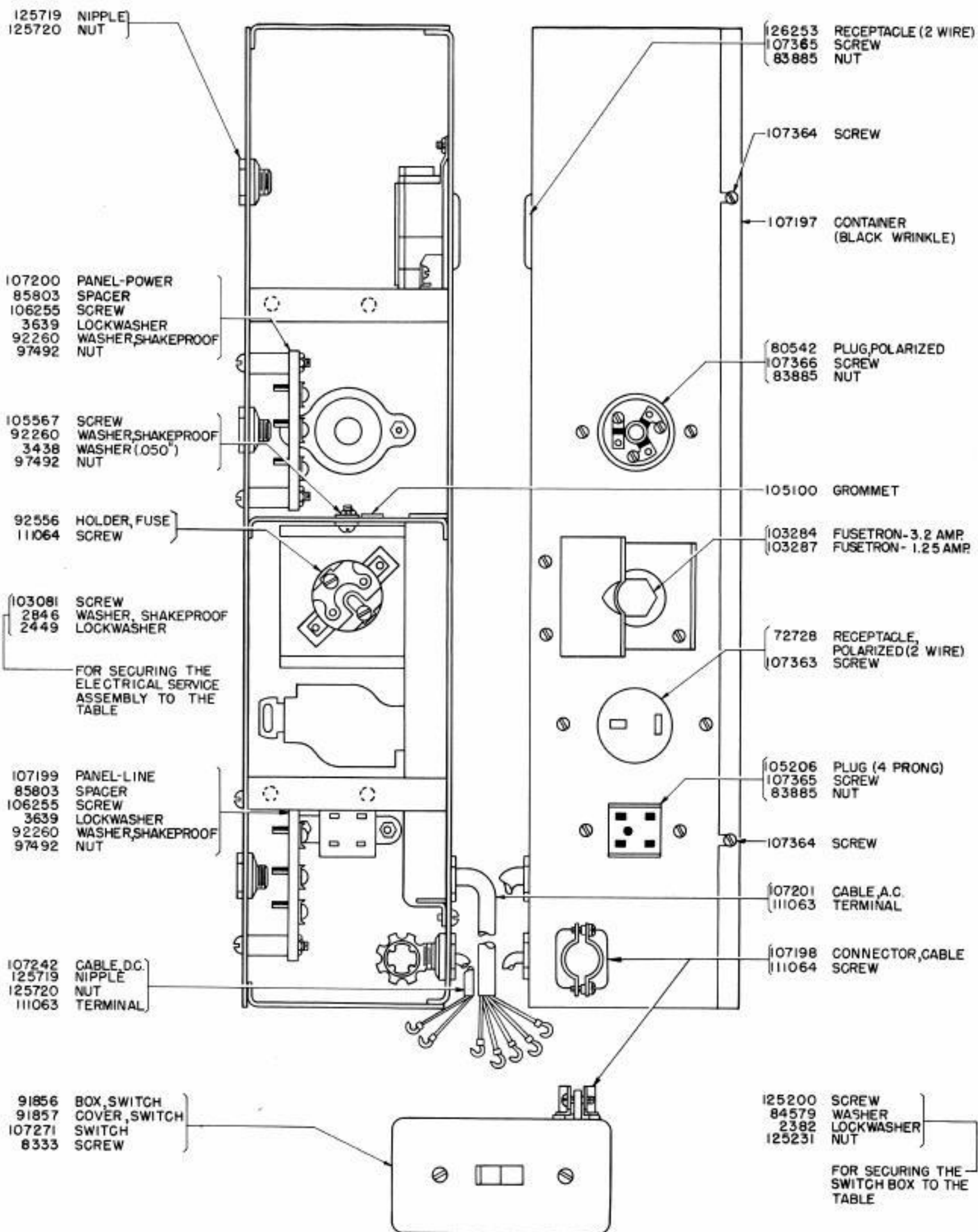
115932\*\* DISTRIBUTOR MOUNTING PLATE ASSEMBLY

104035 DISTRIBUTOR MOUNTING PLATE ASSEMBLY (BLACK HIGH GLOSS)  
(EXCLUDES PARTS MARKED (A))

\*THE 104035 DISTRIBUTOR MOUNTING PLATE ASSEMBLY IS THE SAME AS THE 115932\*\* DISTRIBUTOR MOUNTING PLATE ASSEMBLY, EXCEPT FOR AN ADDITIONAL HOLE IN THE 115933\*\* DISTRIBUTOR MOUNTING PLATE (SEE NOTE).



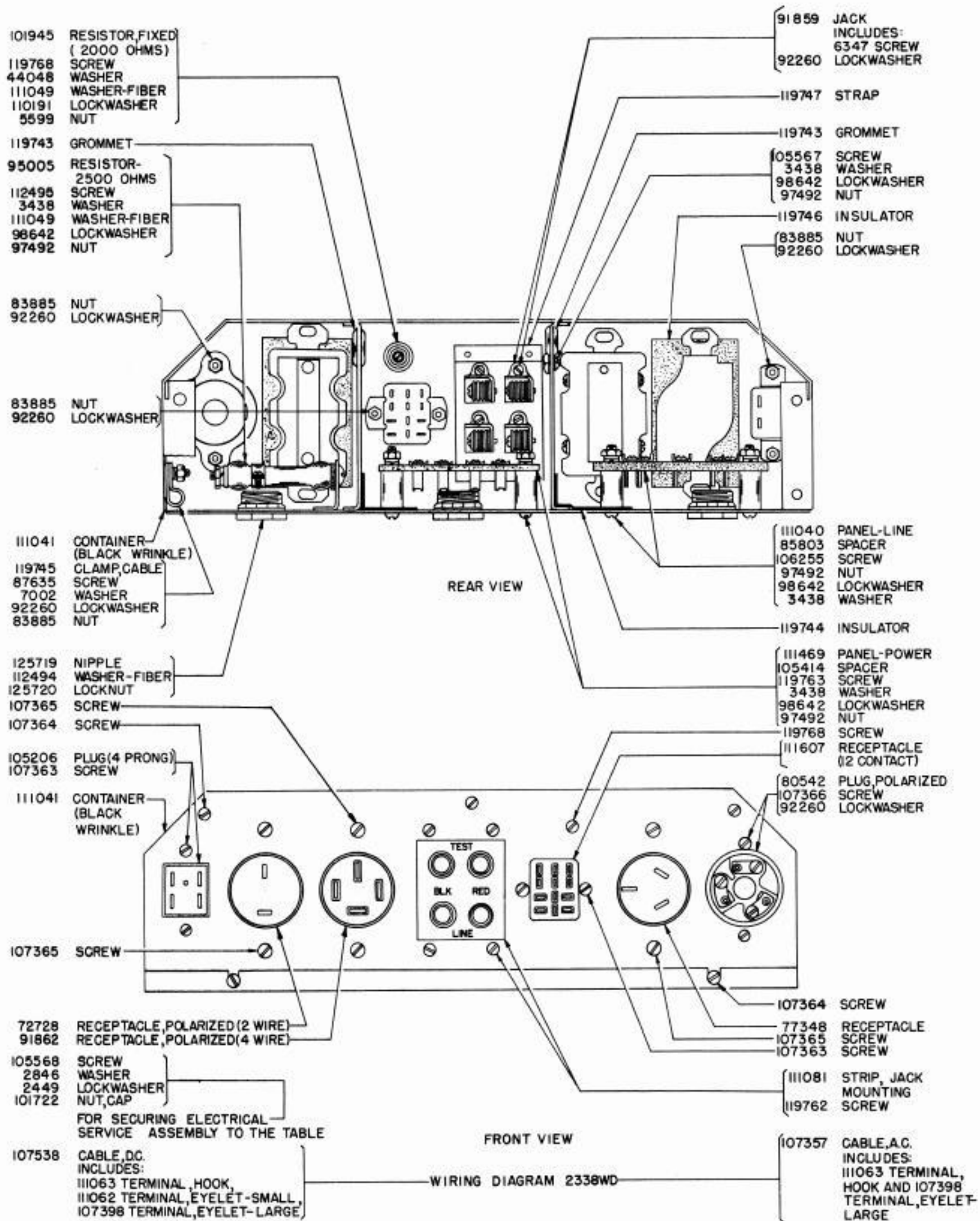
105182 ELECTRICAL SERVICE ASSEMBLY  
(BLACK WRINKLE)  
PART OF XRT118 (BLACK WRINKLE) TABLE

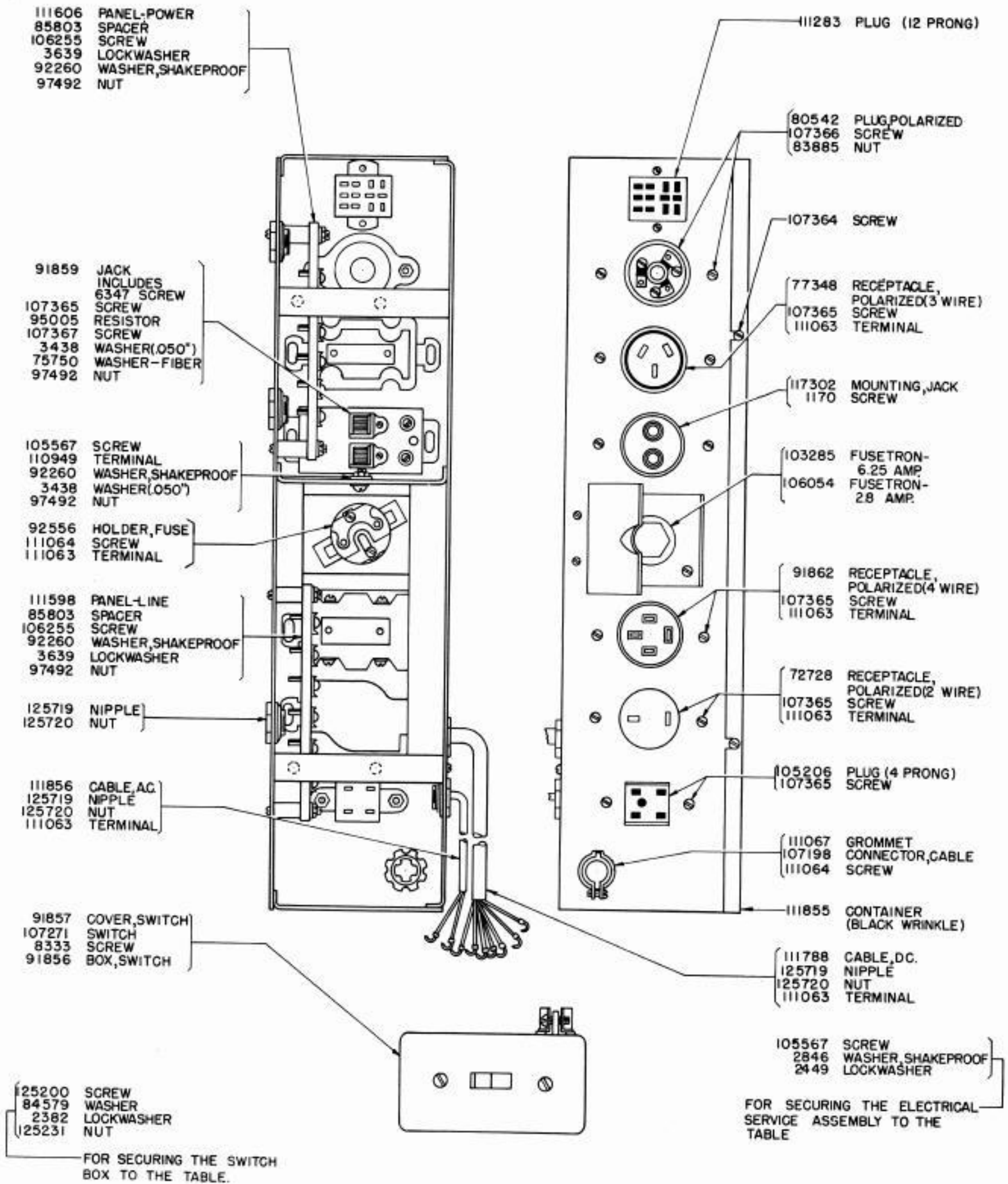


105185 ELECTRICAL SERVICE ASSEMBLY  
(BLACK WRINKLE)  
PART OF XT200\*\* TABLE

ORIGINAL

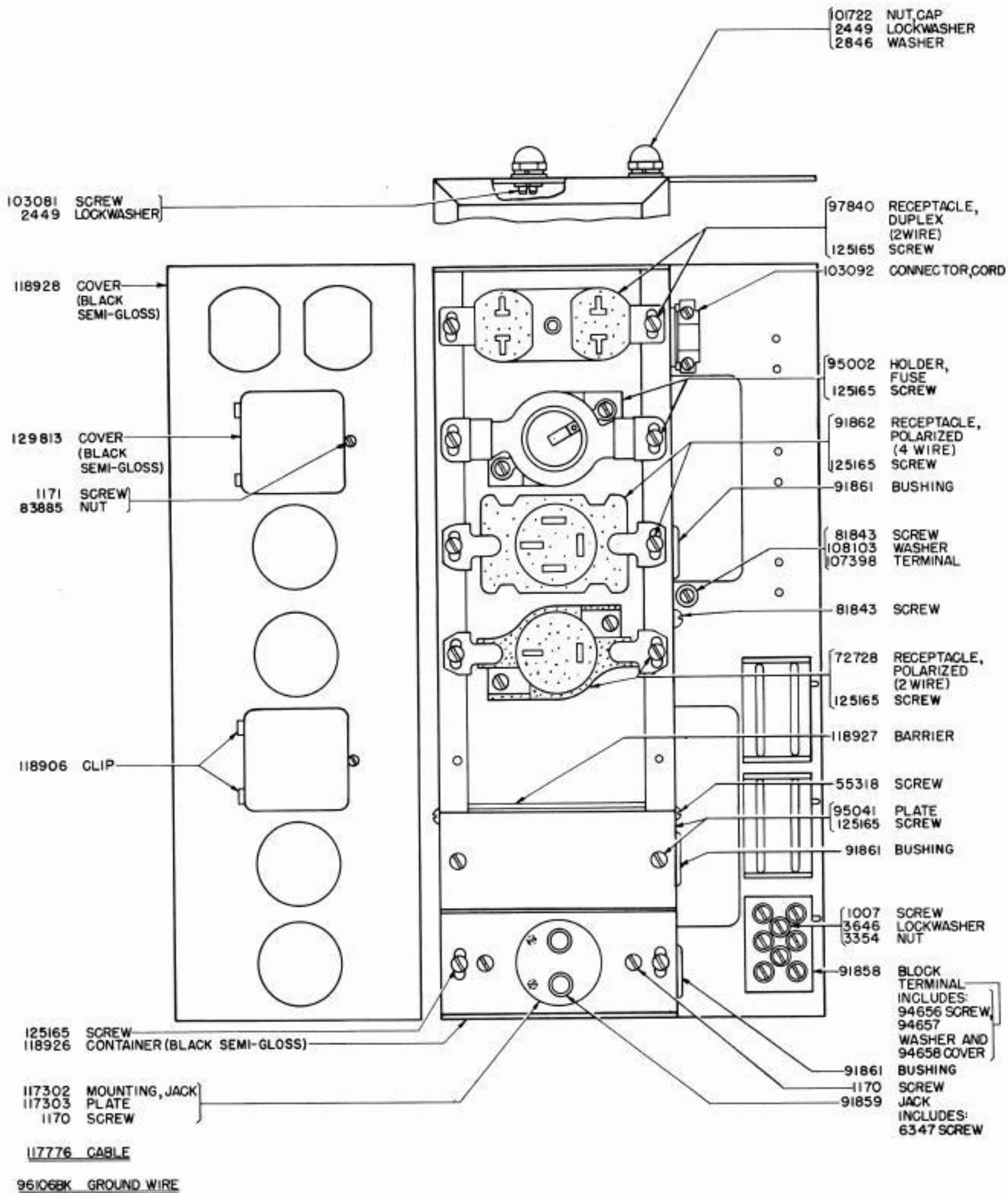






111042 ELECTRICAL SERVICE ASSEMBLY  
(BLACK WRINKLE)  
PART OF XRT120(BLACK WRINKLE) AND XRT210\*\* TABLES

ORIGINAL



117852 ELECTRICAL SERVICE ASSEMBLY (BLACK SEMI-GLOSS)  
126287 ELECTRICAL SERVICE ASSEMBLY (BLACK SEMI-GLOSS)  
(THEY ARE THE SAME EXCEPT THAT THE 126287 ELECTRICAL SERVICE ASSEMBLY IS NOT WIRED)  
USED WITH XRT200\*\* TABLE

ORIGINAL



- 119756 CLAMP, CABLE
- 87635 SCREW
- 7002 WASHER
- 92260 LOCKWASHER
- 83885 NUT

- 106255 SCREW
- 105414 COLLAR, SPACING
- 3438 WASHER
- 98642 LOCKWASHER
- 97492 NUT

- 119757 PLATE, INSULATING

- 125719 NIPPLE
- 125720 NUT
- 112494 WASHER-FIBER

- 105857 PANEL-POWER

- 105858 PANEL-LINE
- 119758 PLATE, INSULATING
- 106255 SCREW
- 105414 COLLAR, SPACING
- 3438 WASHER
- 98642 LOCKWASHER
- 97492 NUT

- 112495 SCREW
- 111049 WASHER-FIBER
- 3438 WASHER
- 98642 LOCKWASHER
- 97492 NUT

- 95005 RESISTOR-2500 OHMS

- 105568 SCREW
- 2449 LOCKWASHER
- 2846 WASHER
- 101722 NUT, CAP

FOR SECURING THE ELECTRICAL SERVICE ASSEMBLY TO THE TABLE.

- 92260 LOCKWASHER
- 83885 NUT

- 119746 PLATE, INSULATING

- 105567 SCREW
- 3438 WASHER
- 98642 LOCKWASHER
- 97492 NUT

- 91859 JACK INCLUDES 6347 SCREW
- 92260 LOCKWASHER

- 107364 SCREW

- 91862 RECEPTACLE, POLARIZED (4 WIRE)
- 107365 SCREW

- 72728 RECEPTACLE, POLARIZED (2 WIRE)
- 107365 SCREW

- 105851\*\* CONTAINER
- 107364 SCREW
- 105206 PLUG (4 PRONG)
- 107363 SCREW

- 83885 NUT
- 92260 LOCKWASHER

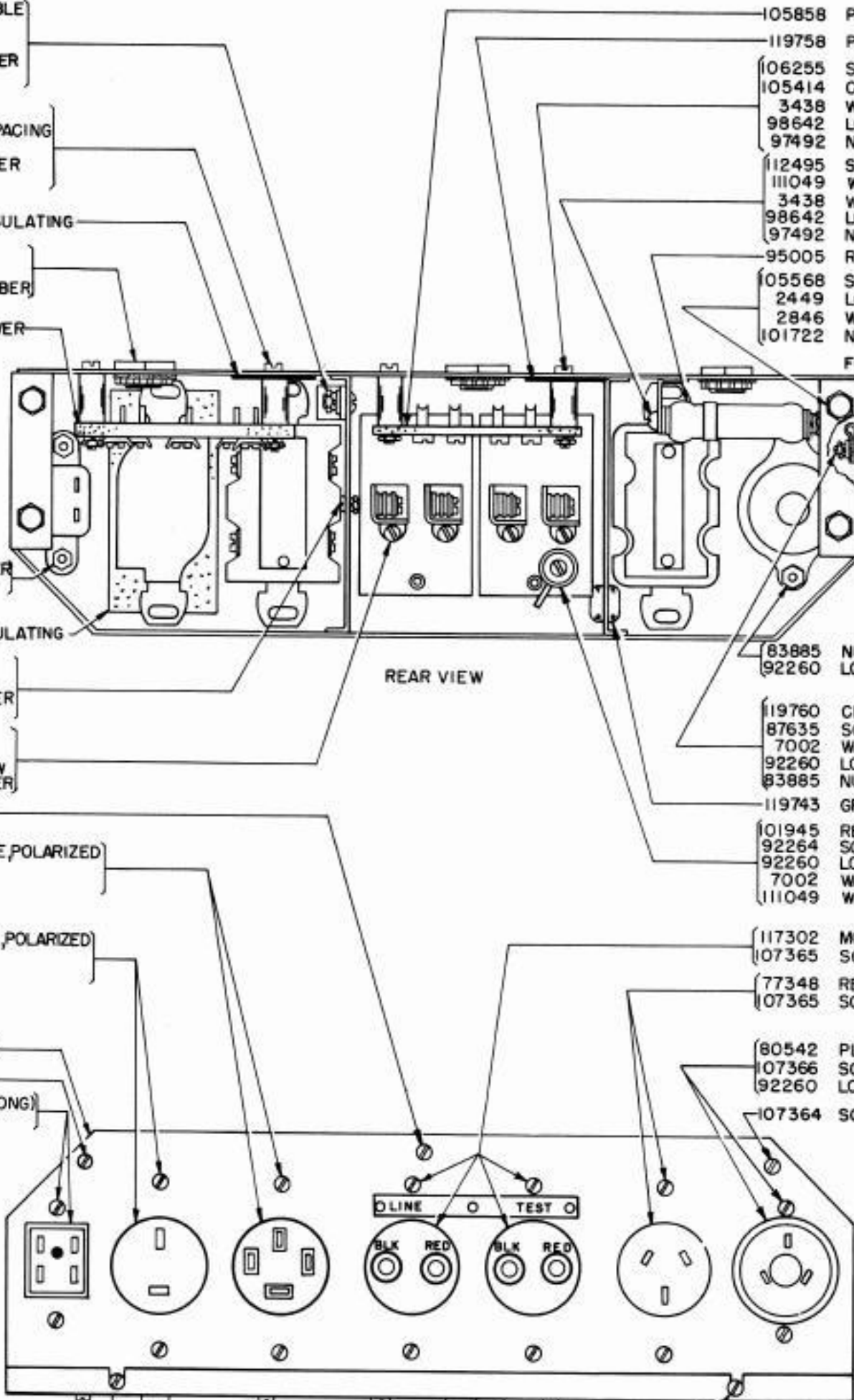
- 119760 CLAMP, CABLE
- 87635 SCREW
- 7002 WASHER
- 92260 LOCKWASHER
- 83885 NUT

- 119743 GROMMET

- 101945 RESISTOR (2000 OHMS)
- 92264 SCREW
- 92260 LOCKWASHER
- 7002 WASHER
- 111049 WASHER-FIBER

- 117302 MOUNTING, JACK
- 107365 SCREW
- 77348 RECEPTACLE (3 WIRE)
- 107365 SCREW

- 80542 PLUG, POLARIZED
- 107366 SCREW
- 92260 LOCKWASHER
- 107364 SCREW



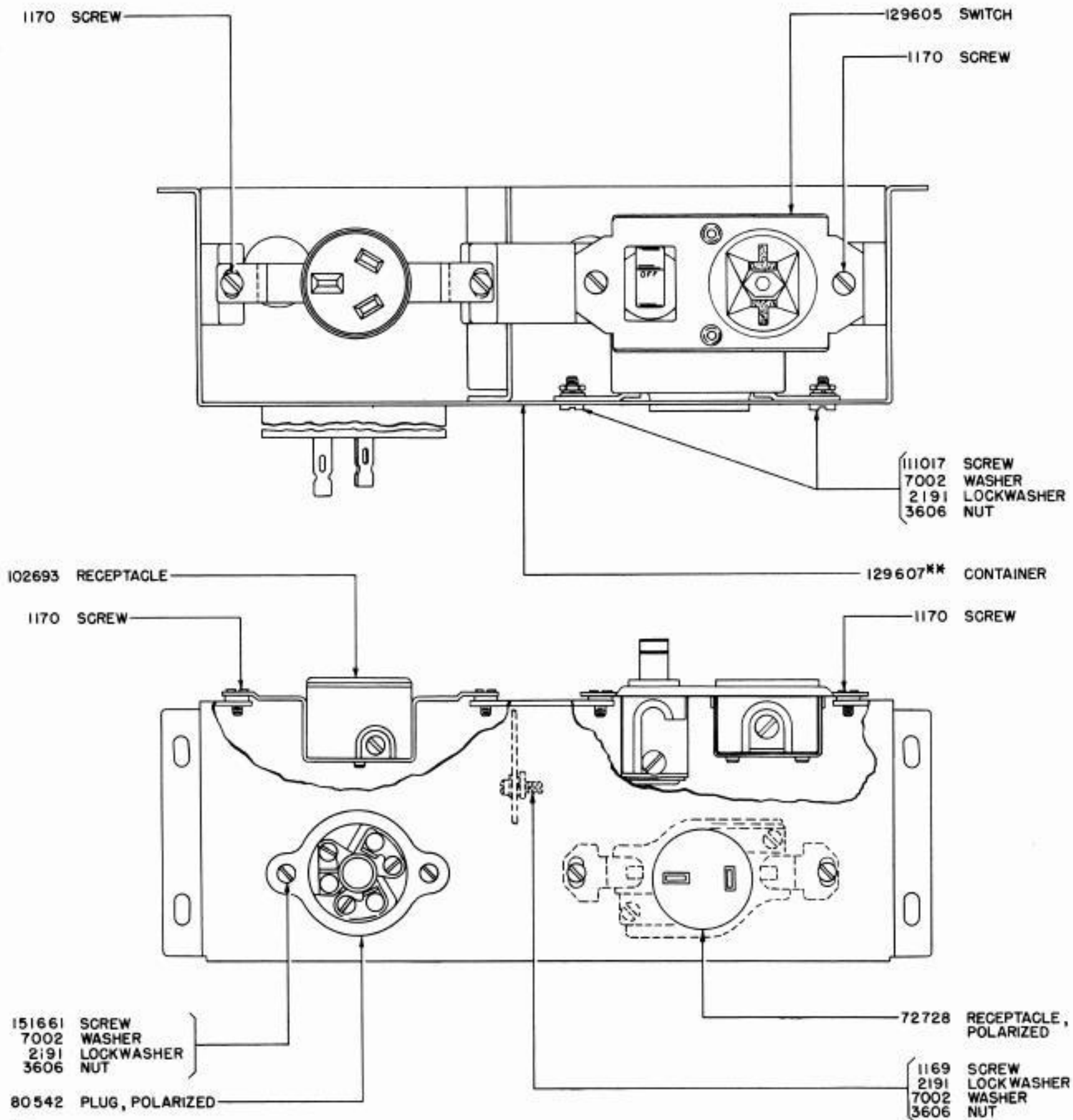
FRONT VIEW

- 107357 CABLE, A.C. INCLUDES: 111063 TERMINAL, HOOK AND 107398 TERMINAL, EYELET-LARGE

WIRING DIAGRAM 2338WD

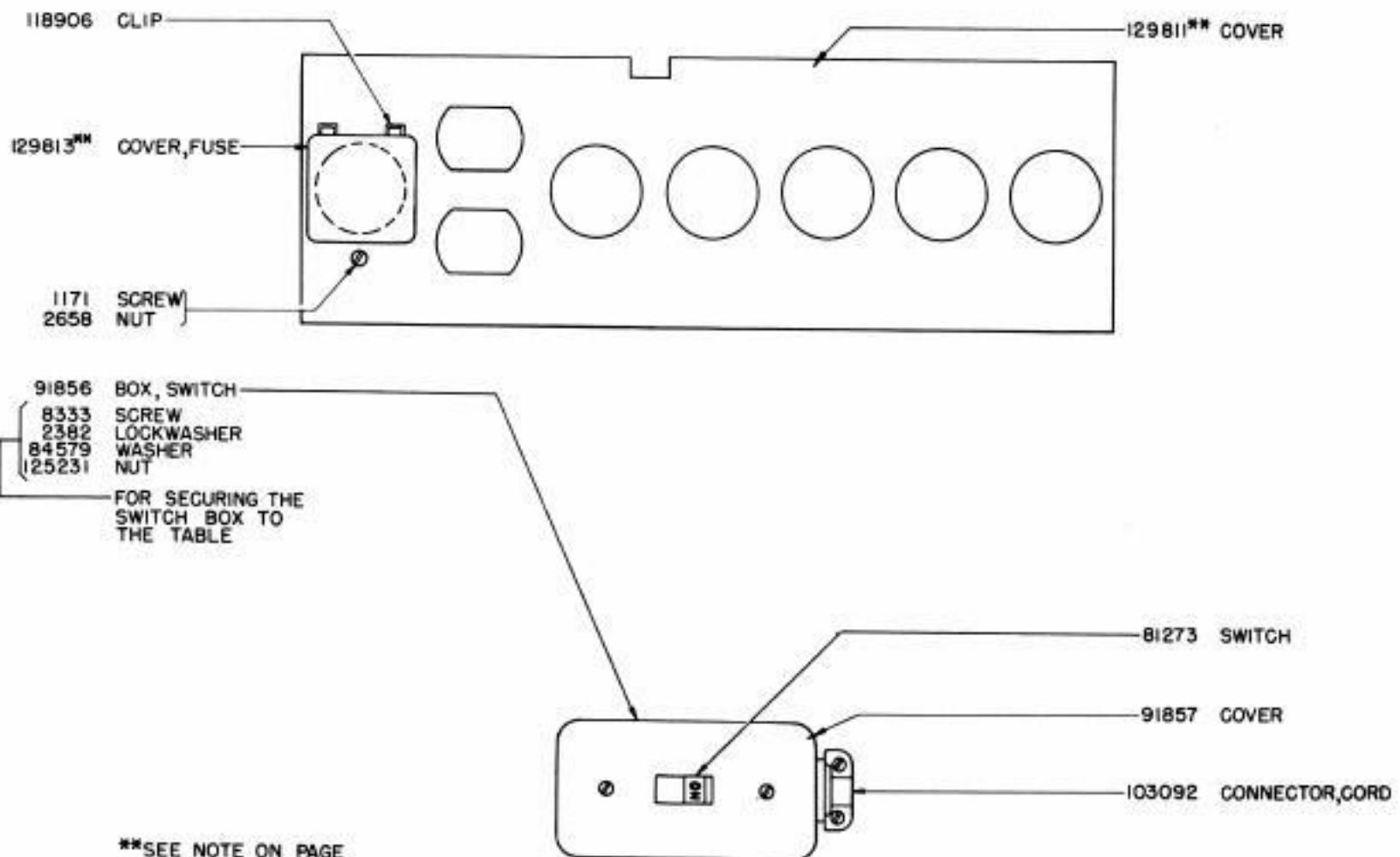
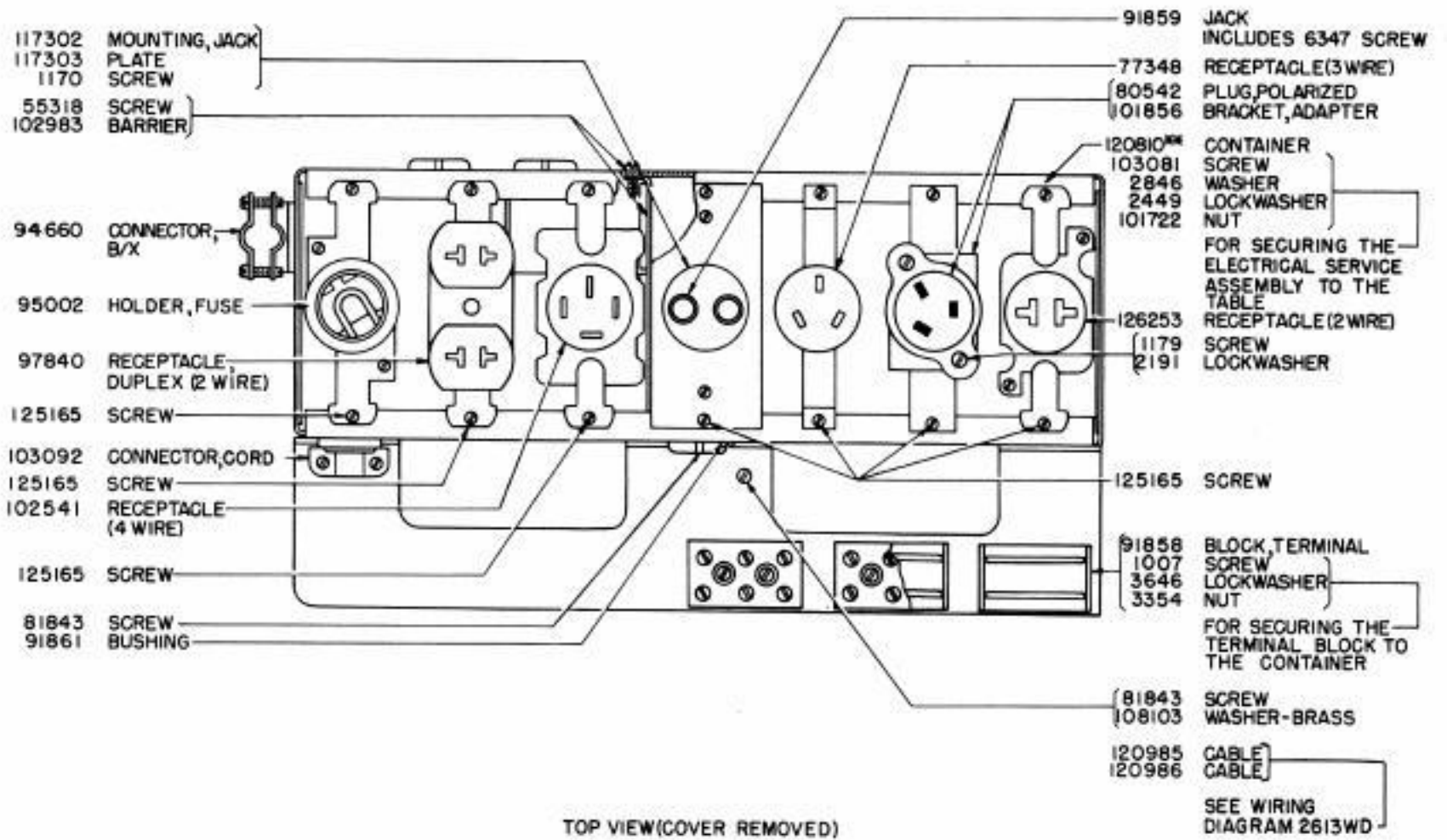
- 107364 SCREW
- 107358 CABLE, D.C. INCLUDES: 111063 TERMINAL, HOOK 111062 TERMINAL, EYELET-SMALL AND 107398 TERMINAL, EYELET-LARGE

\*\*SEE NOTE ON PAGE 1 FOR EXPLANATION.



\*\*SEE NOTE ON PAGE 1 FOR EXPLANATION.

129602\*\* ELECTRICAL SERVICE ASSEMBLY  
PART OF PET202\*\* TABLE



\*\*SEE NOTE ON PAGE 1 FOR EXPLANATION.

129809\*\* ELECTRICAL SERVICE ASSEMBLY  
PART OF XT202\*\* TABLE

ORIGINAL





94734 B/X CONNECTOR-90°



91861 BUSHING



94660 B/X CONNECTOR-90°



80935 B/X CONNECTOR-45°



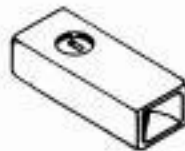
80925 B/X CONNECTOR



103075 BUSHING



103092 CORD CONNECTOR



91852 FIXTURE CONNECTOR



94735 CONNECTOR



125719 NIPPLE



125720 LOCKNUT



115508 REDUCING WASHER



94661 BUSHING



103094 COUPLING



91742 LOCKNUT



94659 BUSHING

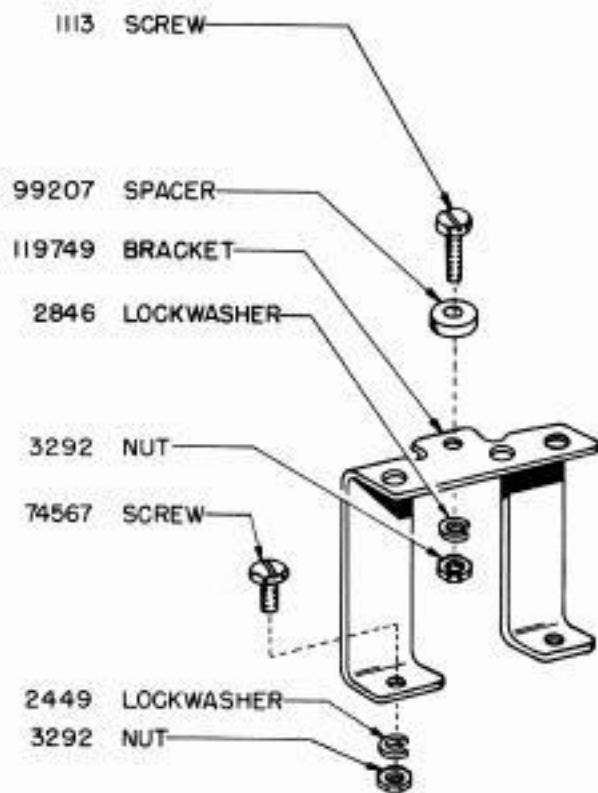


103095 BUSHING

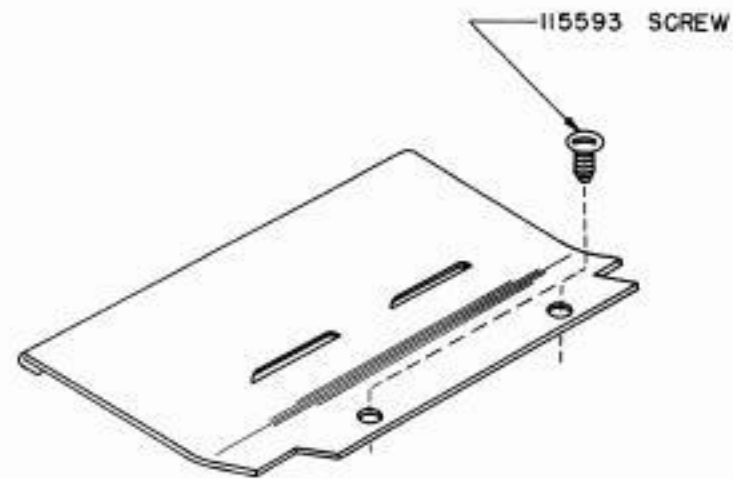


124186 REDUCING WASHER

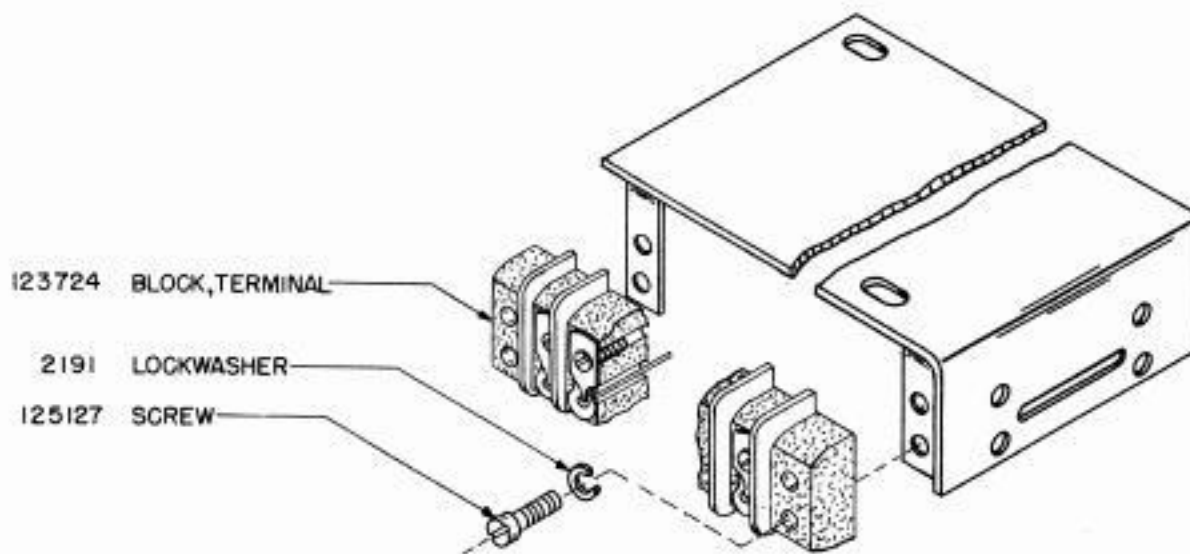
ELECTRICAL FITTINGS



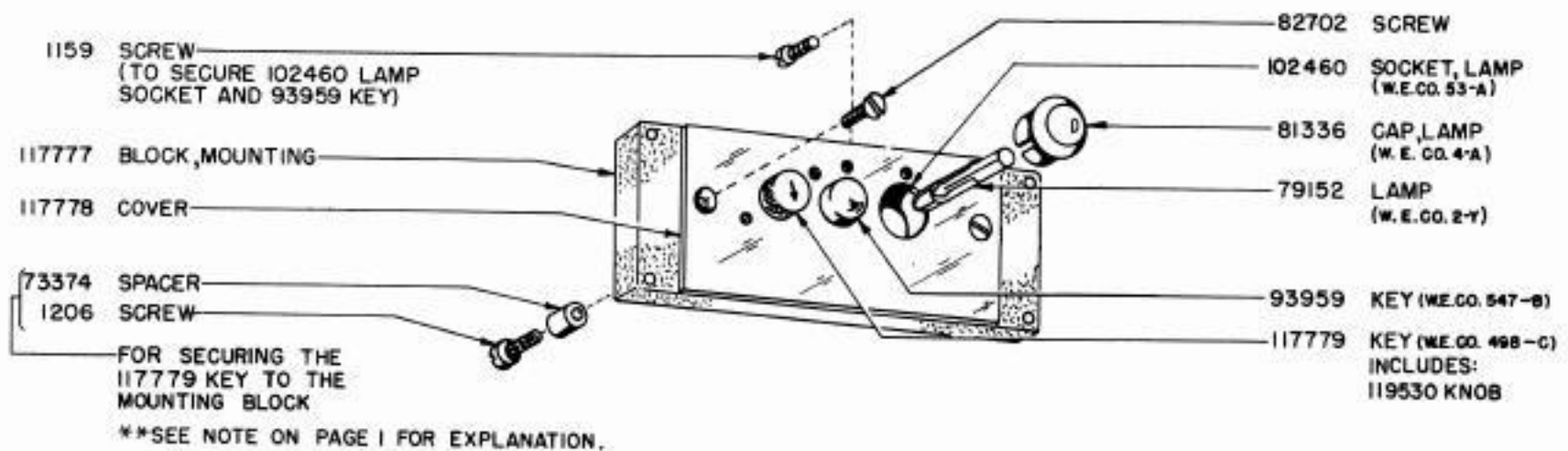
**106983 RECTIFIER MOUNTING PARTS**  
(USED WITH THE XRT205\*\* AND XRT206\*\* TABLES)



**106977\*\* BAFFLE PLATE-WITH SCREWS**  
(USED WITH THE XRT200\*\* AND XRT201\*\* TABLES)

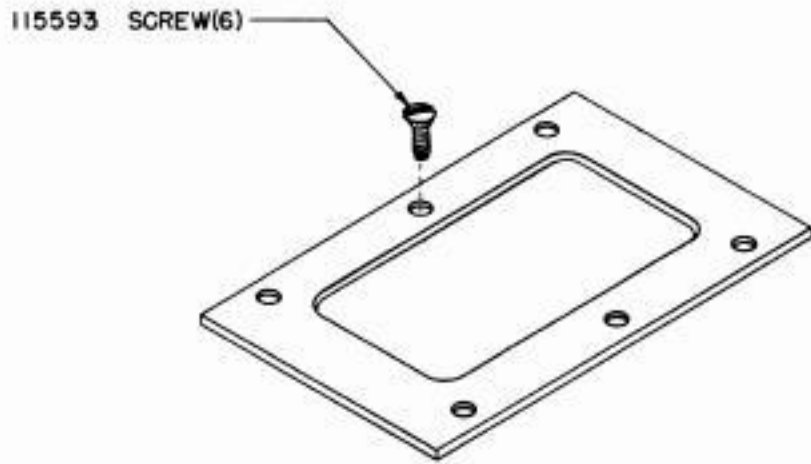


**120062 SWITCH BRACKET ASSEMBLY**  
(USED WITH THE XRT205\*\* AND XRT206\*\* TABLES)

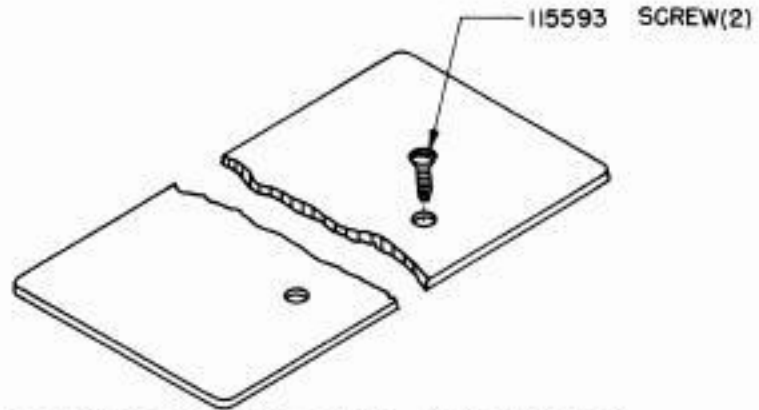


**117794 LAMP AND KEY ASSEMBLY**  
(USED WITH THE RT 200\*\* TABLE)

\*\*SEE NOTE ON PAGE 1 FOR EXPLANATION.



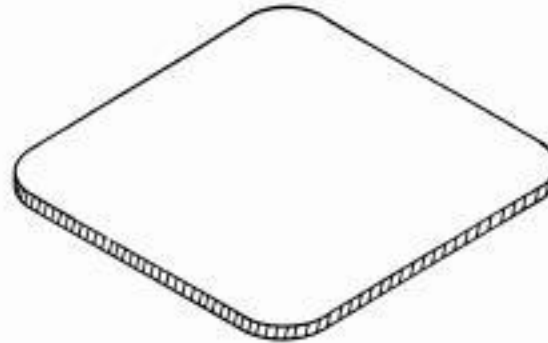
106974\*\* FRONT PANEL-WITH SCREWS  
(USED WITH THE XRT200\*\* AND XRT201\*\* TABLES)



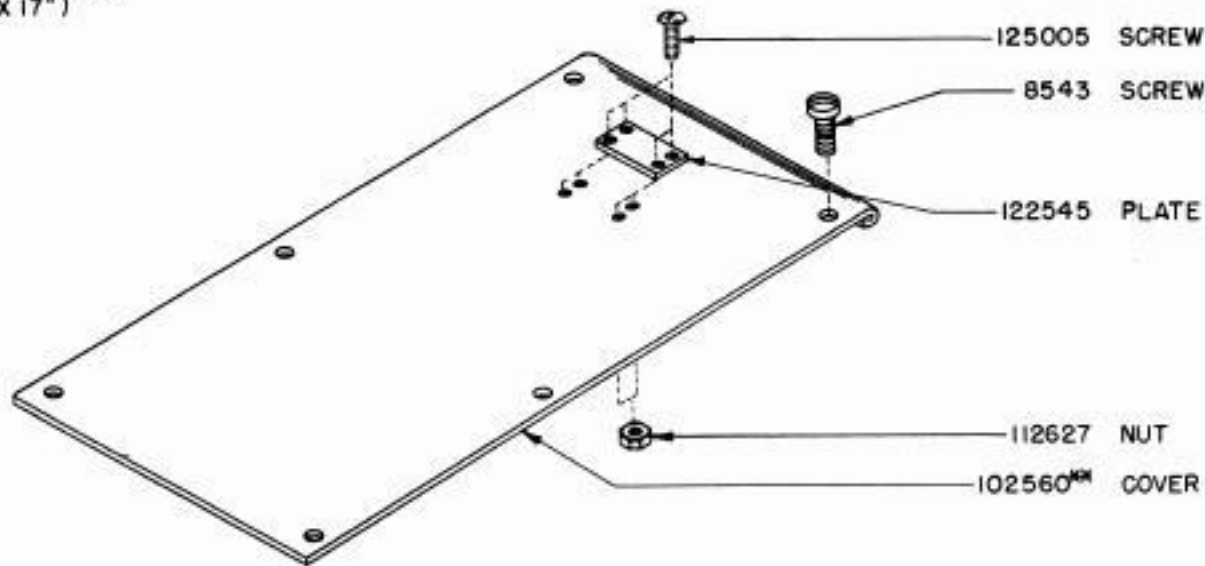
122244\*\* RETAINING STRIP-WITH SCREWS  
(USED WITH THE XRT200\*\* AND XRT201\*\* TABLES)



8170 PAD-FELT  
(15" X 17")



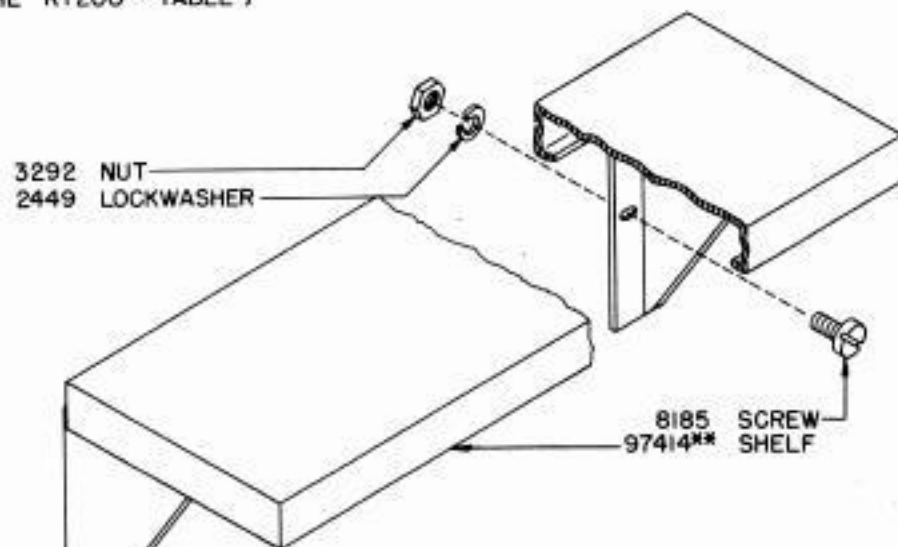
74587 PAD-FELT  
(18 1/4" X 18 1/4")



115719\*\* COVER PLATE ASSEMBLY-REAR  
(USED WITH THE RT200\*\* TABLE)

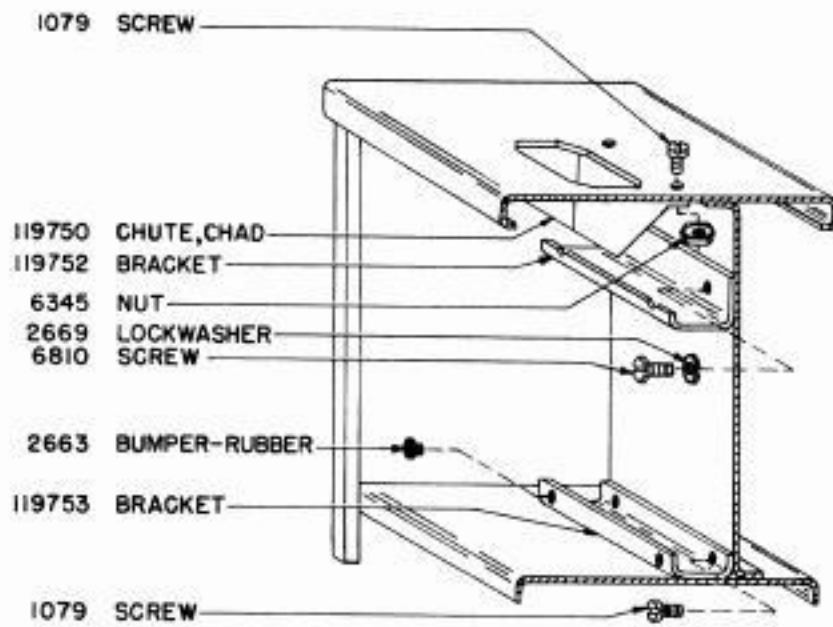


120074 TABLE TOP-FORMICA  
(17 3/4" X 21 1/8")  
(USED WITH THE XRT200\*\* TABLE)



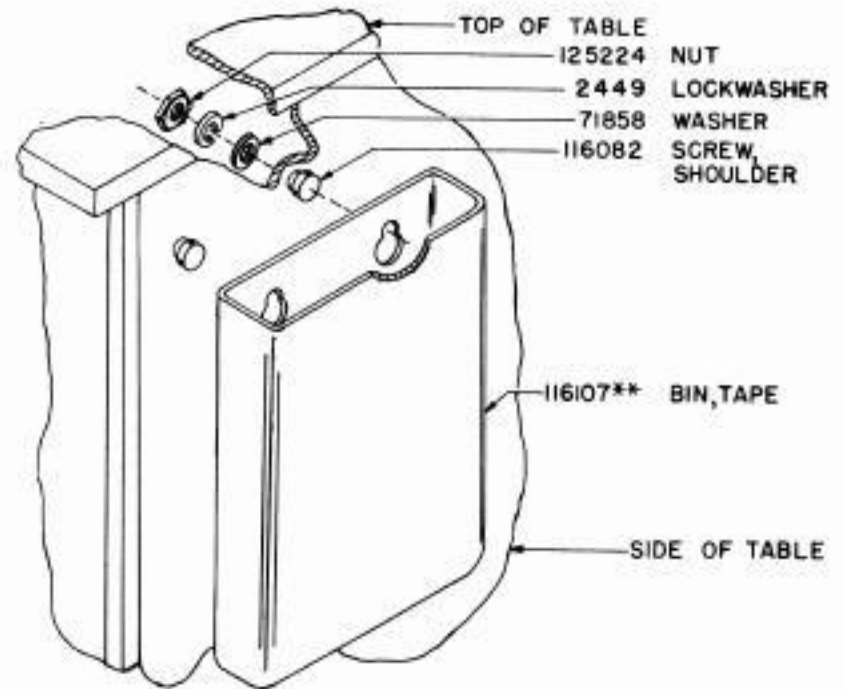
115759\*\* SET OF PARTS TO PROVIDE A SHELF  
FOR A TAPE WINDER ON THE LEFT SIDE  
OF THE XRT201\*\* TABLE



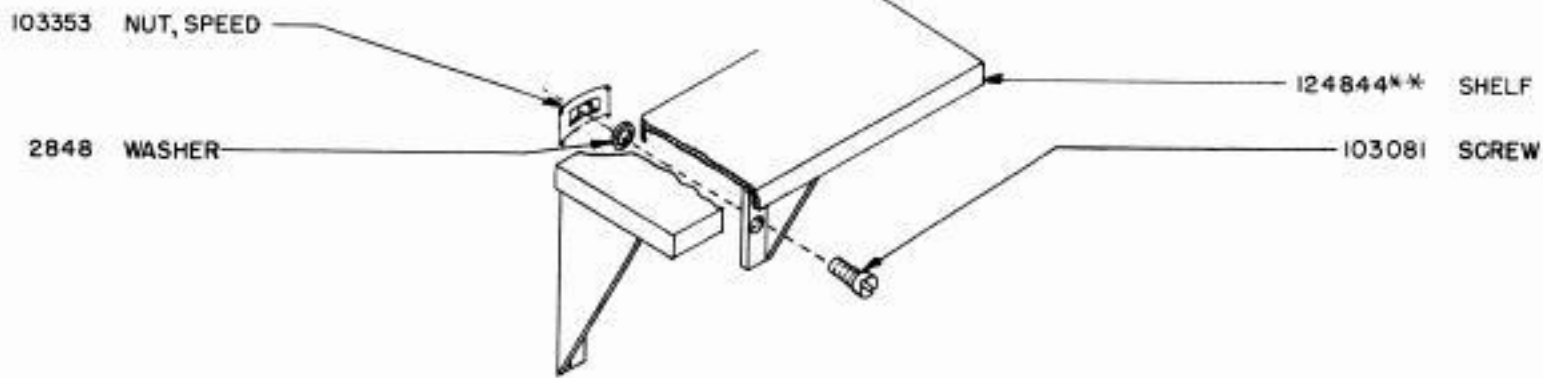


END VIEW - CROSS SECTION OF VERTICAL PANEL

106984 ACCESSORY KIT TO PROVIDE MOUNTING PARTS FOR THE 118458\*\* TAPE STORAGE MAGAZINE (SEE PAGE 15) USED WITH MODEL 19 PRINTER SET TABLE.

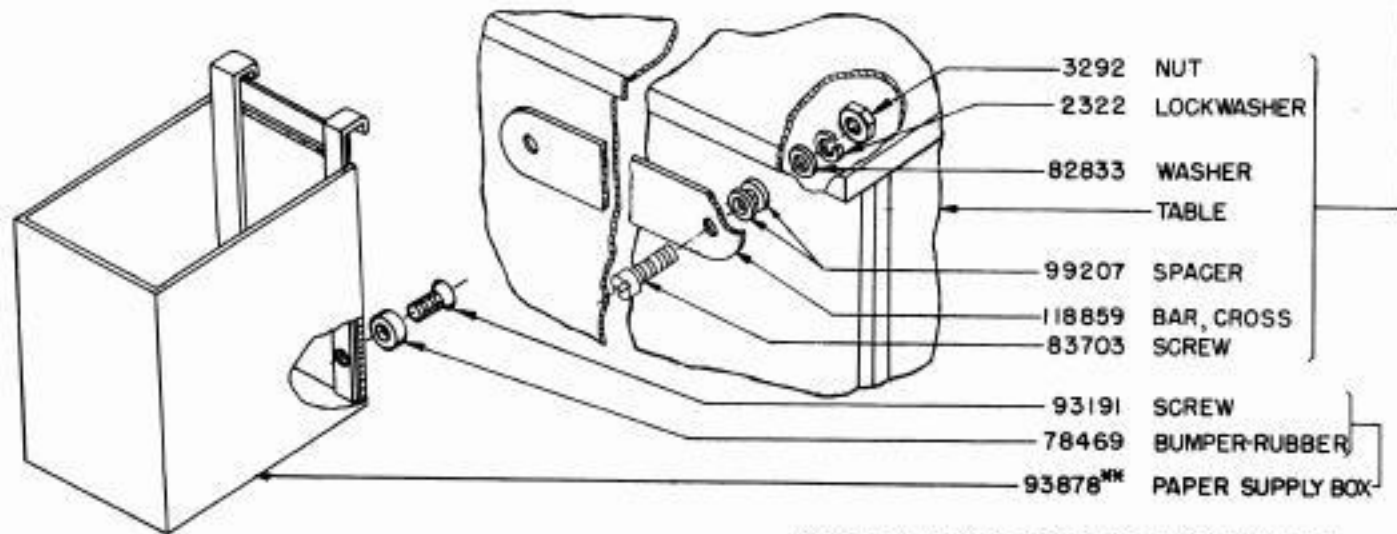


115818\*\* SET OF PARTS TO PROVIDE A TAPE BIN ON THE LEFT SIDE OF THE XRT200\*\* TABLE



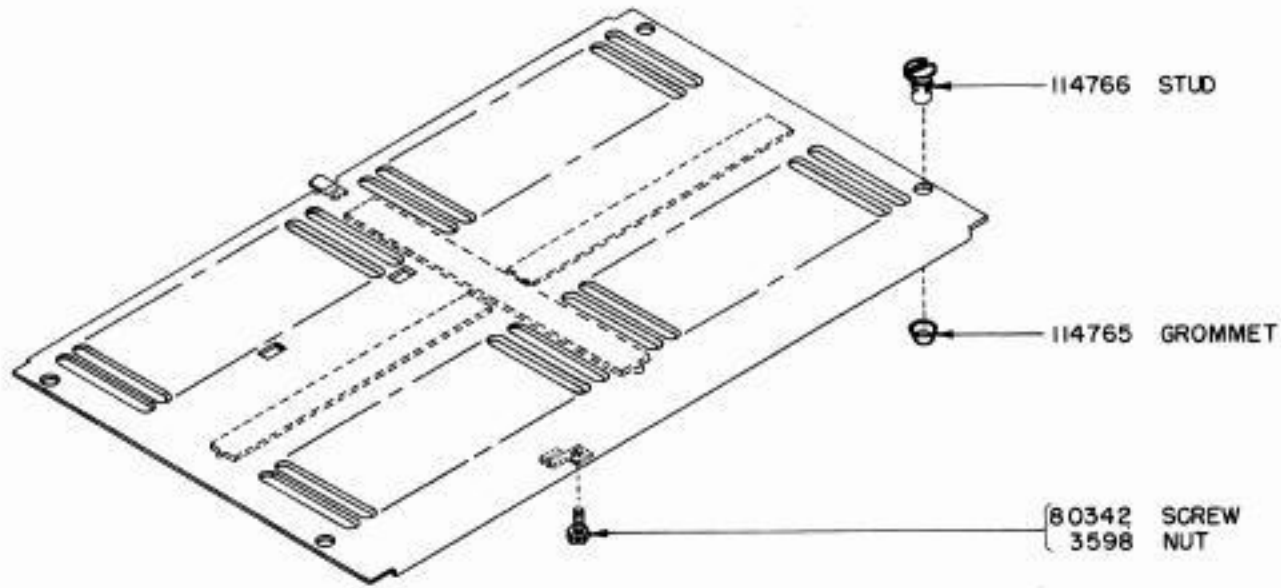
115817\*\* SET OF PARTS TO PROVIDE A SHELF FOR A TAPE WINDER ON THE LEFT SIDE OF THE XRT200\*\* TABLE

115755 SET OF PARTS FOR MOUNTING THE PAPER SUPPLY BOX TO A TABLE

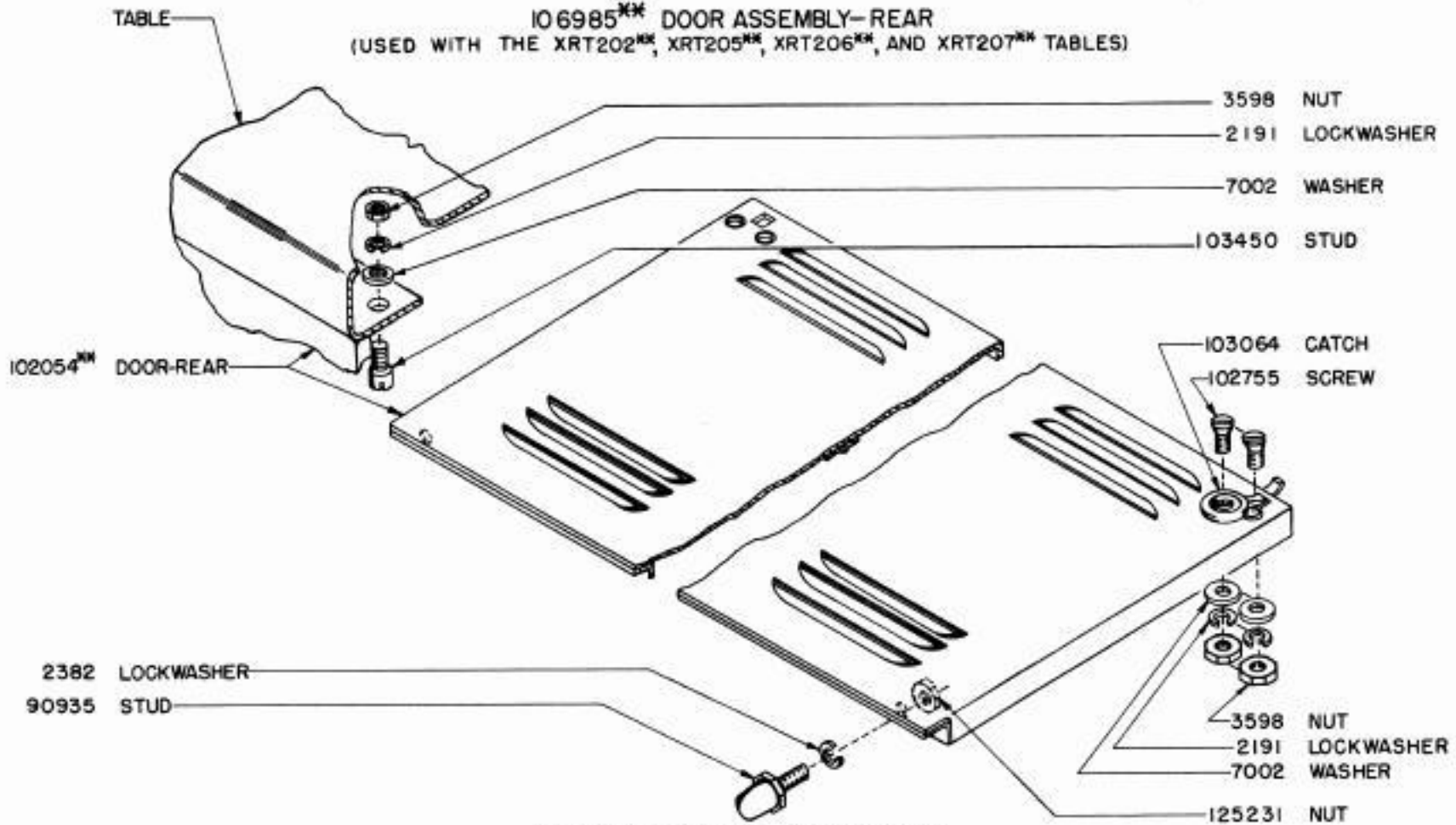


\*\*SEE NOTE ON PAGE 1 FOR EXPLANATION.

115730\*\* PAPER SUPPLY BOX ASSEMBLY  
(USED WITH THE XRT200\*\* AND XRT201\*\* TABLES)

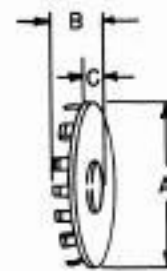


**106985\*\* DOOR ASSEMBLY-REAR**  
 (USED WITH THE XRT202\*\*, XRT205\*\*, XRT206\*\*, AND XRT207\*\* TABLES)



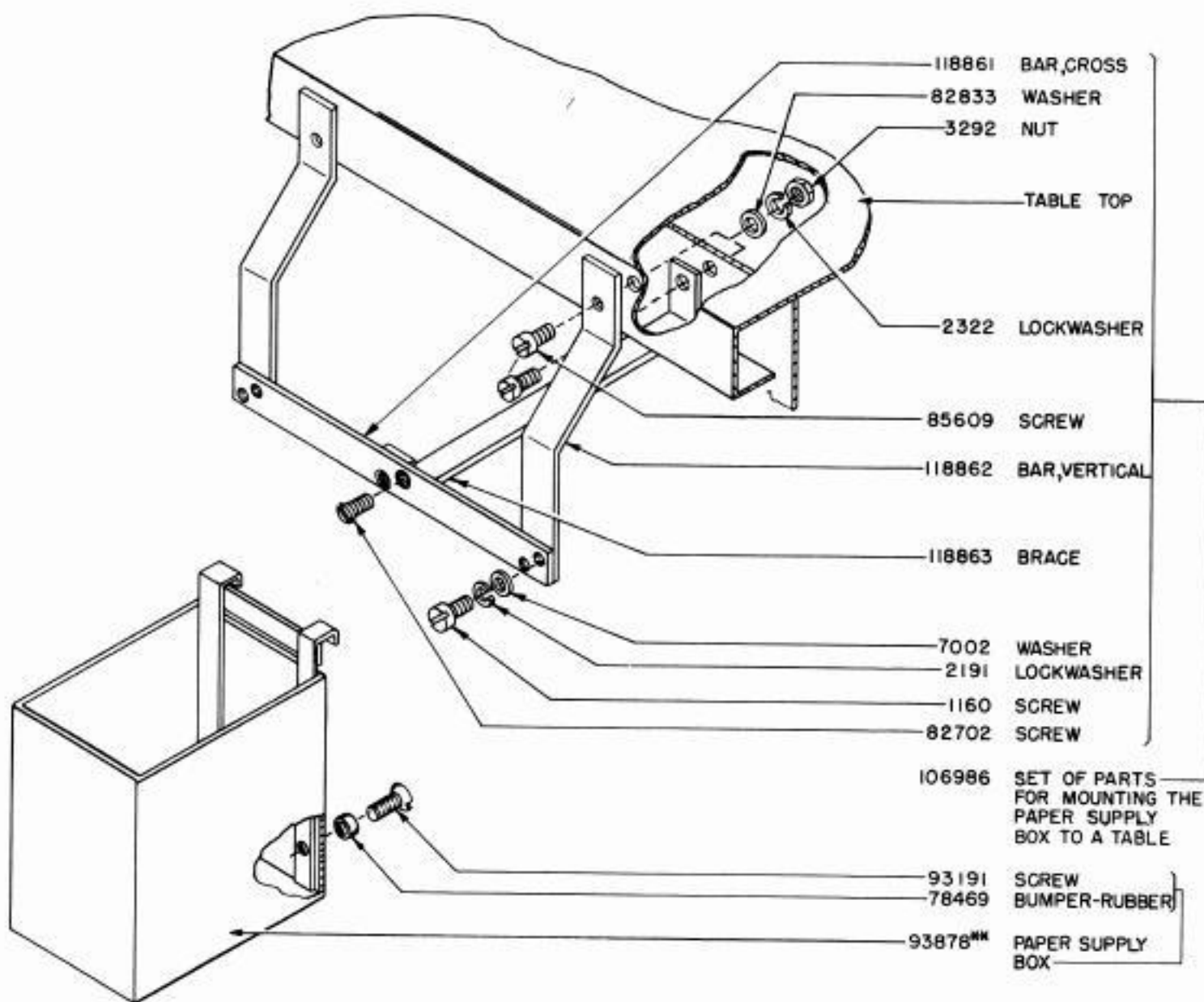
**115716\*\* DOOR ASSEMBLY-REAR**  
 (USED WITH THE XRT204\*\* AND XT4I (DARK BROWN WRINKLE) TABLES)

PART NUMBER	PLUG HOLE DIA.	DIMENSIONS		
		A-INCHES	B-INCHES	C-INCHES
119634**	1/2	2 1/32	17/64	5/64
119635**	3/4	15/16	19/64	3/32
119636**	1	1 5/32	19/64	3/32
119637**	2 1/4	2 9/16	1/2	7/32
119638**	1 1/4	13/32	1/4	5/64
119639**	7/8	1 1/16	9/32	5/64
119640**	1 1/16	7/8	1/4	5/64
119641**	5/16	7/16	1/4	1/16

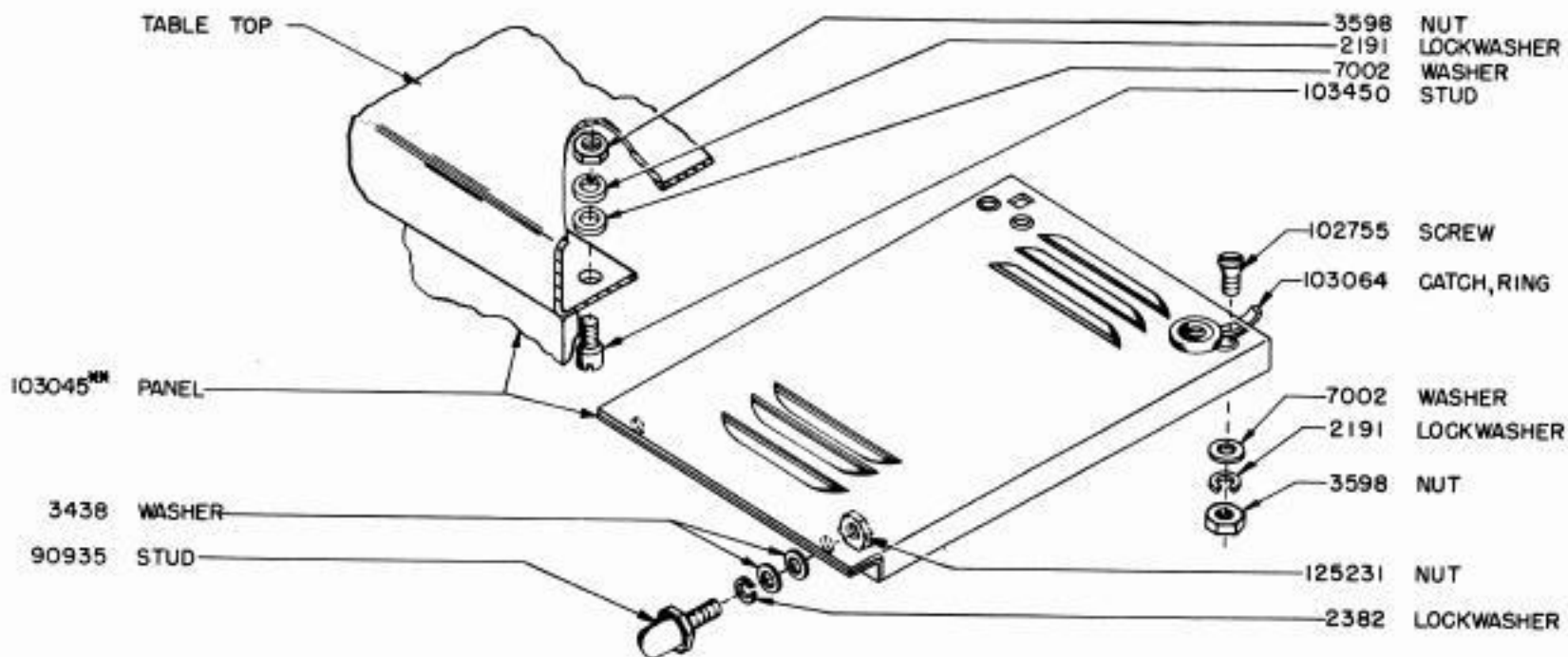


\*\*SEE NOTE ON PAGE 1 FOR EXPLANATION.

**119634\*\* TO 119641\*\* BUTTON-PLUG**



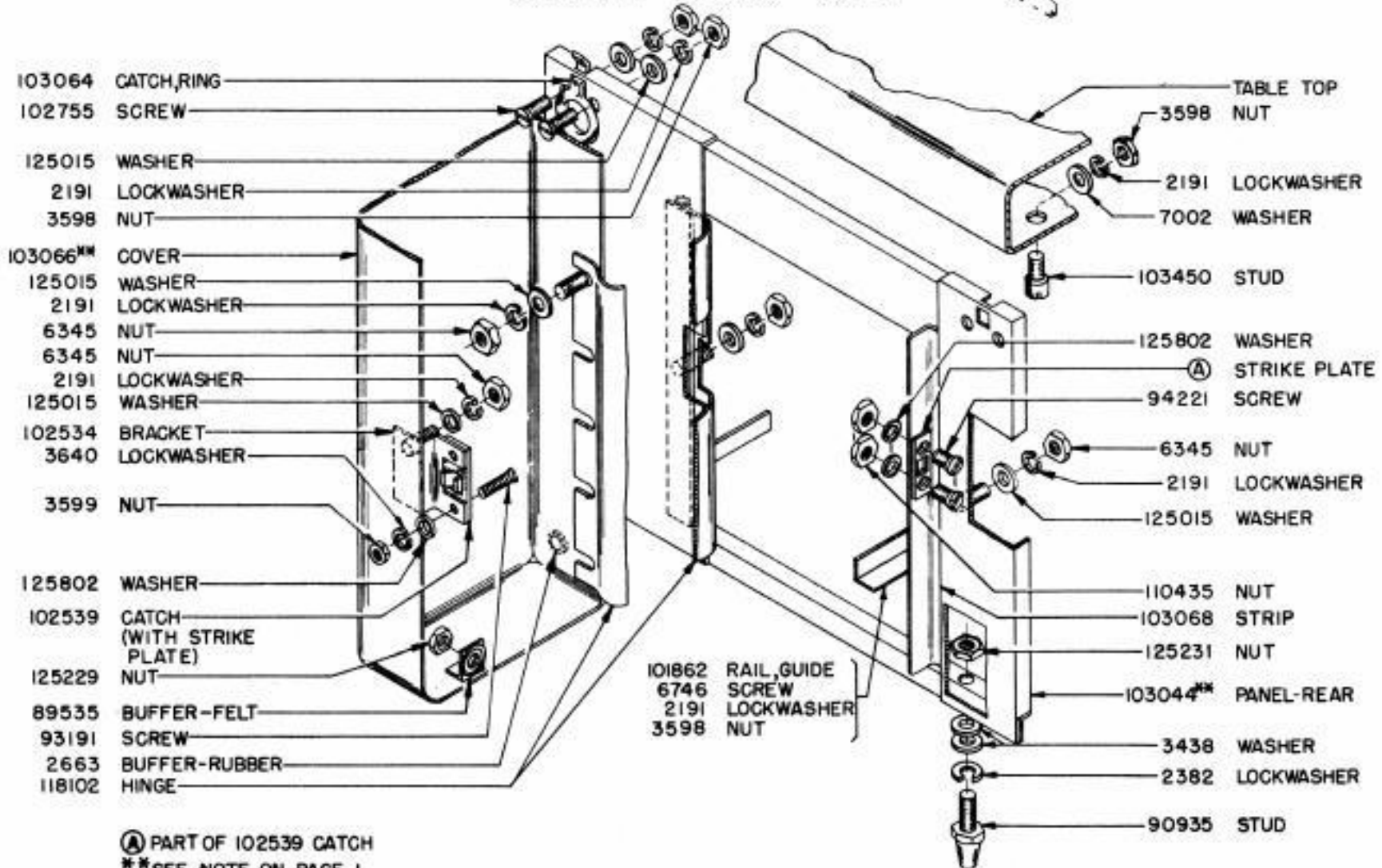
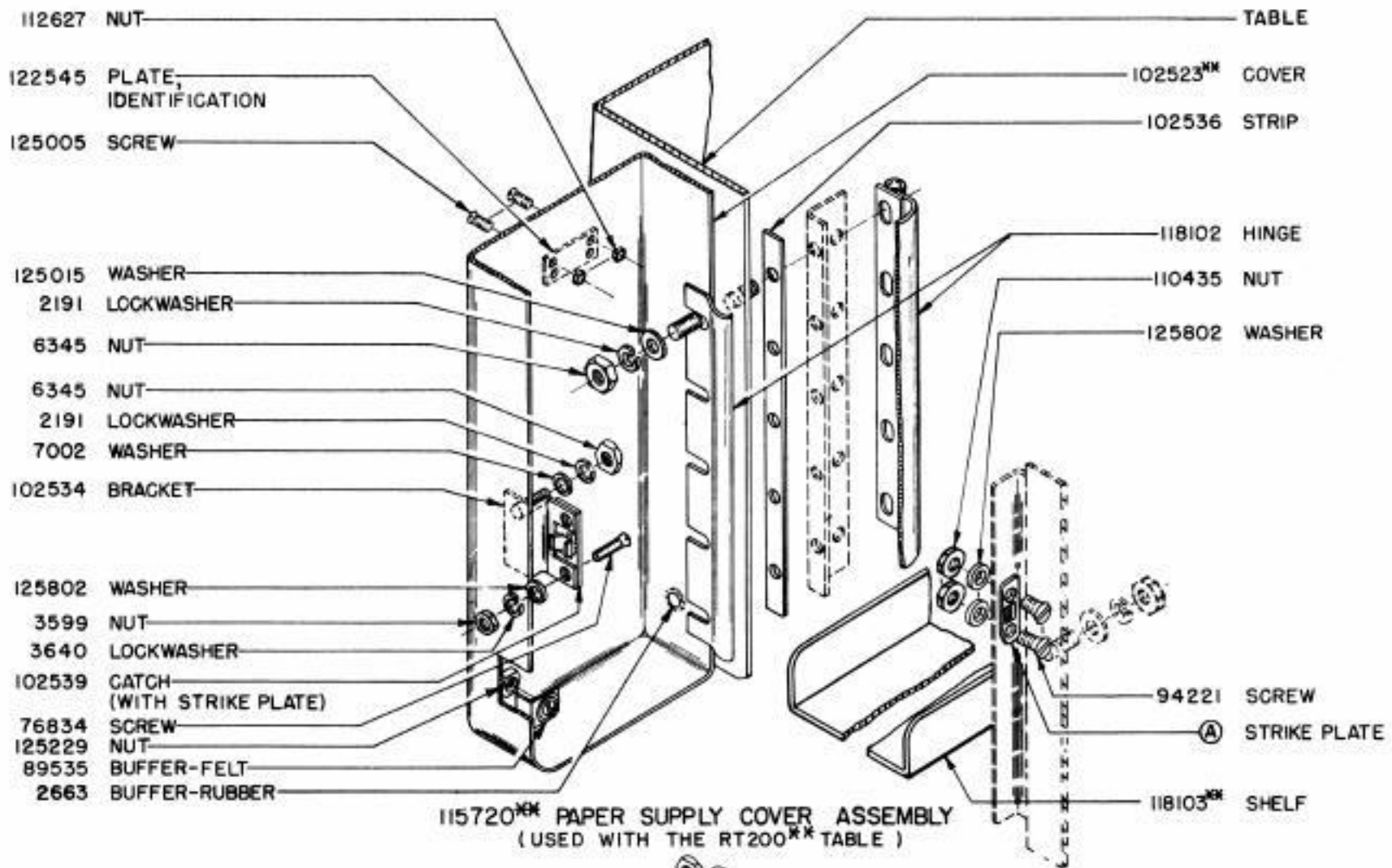
11573\*\* PAPER SUPPLY BOX ASSEMBLY  
 (USED WITH THE XRT 205\*\* AND XRT206\*\* TABLES)



\*\* SEE NOTE ON PAGE 1 FOR EXPLANATION.

115717\*\* PANEL ASSEMBLY-REAR  
 (USED WITH THE XRT204\*\* TABLE)





(A) PART OF 102539 CATCH  
 \*\*SEE NOTE ON PAGE 1 FOR EXPLANATION.

115718\*\* PANEL ASSEMBLY-REAR  
 (USED WITH THE XRT204\*\* TABLE)

DESCRIPTION	PAGE NO.	DESCRIPTION	PAGE NO.
1007 Screw (8-32 x 5/8 Fil)	34,37	4293 Insulator	29
1026 Screw (6-40 x 3/8 Fil)	7,14,20	4814 Lockwasher	1
1028 Screw (4-40 x 1/4 Fil)	5,10,14,18 20,22	4816 Clamp	10,14
1079 Screw (6-32 x 5/16 Fil)	4,6,7,8,10,14 15,18,19,21,23,26,27,41	5599 Nut (8-32 Hex)	29,32
1093 Screw (8-32 x 7/16 Fil)	29	5600 Spacer	7,17,25
1113 Screw (1/4-20 x 7/16 Hex)	39	5660 Spacer	25
1126 Screw (.150-32 x 5/8 Fil)	22	5668 Box, Switch	7,11,14,16,17,23,25,27
1157 Screw (8-32 x 1/2 Fil)	14,24	6033 Lockwasher	24
1159 Screw (4-40 x 3/8 Fil)	39	6345 Nut (6-32 Hex)	4,6,7,8,10,14,15,16,18,19 21,23,26,41,44
1160 Screw (6-40 x 5/16 Fil)	20,43	6347 Screw (6-32 x 3/8 Rd.)	5,8,10,11,14 17,18,20,22,30,32,33,34,35,37
1161 Screw (6-40 x 1/4 Fil)	16	6745 Screw (10-32 x 1/2 Hex)	3,16
1165 Screw (6-32 x 1/4 Fil)	17,23	6746 Screw (6-40 x 5/16 Hex)	1,7,14,44
1166 Screw (4-32 x 1/4 Fil)	16	6810 Screw (10-32 x 3/8 Hex)	1,2,3,11,25,26 41
1169 Screw (6-40 x 7/16 Fil)	5,18,20,22,36	7002 Washer	1,4,7,8,9,10,11,12 14,16,17,18,20,22,24,25,27,32,35,36,42,43,44
1170 Screw (6-32 x 5/16 Flat)	4,5,8,10,11 14,15,17,18,19,20,21,22,27,30,33,34,36,37	7398 Plate	29
1171 Screw (6-32 x 3/16 Fil)	34,37	8170 Keyboard Pad	40
1176 Screw (6-40 x 3/16 Fil)	5,14,20	8185 Screw (1/4-20 x 3/4 Fil)	40
1179 Screw (6-40 x 5/8 Fil)	8,9,12,23,27,37	8333 Screw (10-32 x 3/8 Rd)	6,8,23,27,30 31,33,37
1187 Screw (10-32 x 1/4 Fil)	13,15	8515 Plate, Spacer	26
1206 Screw (4-40 x 9/16 Fil)	39	8543 Screw (6-40 x 1/4 Fil)	10,11,14,16 20,25,28,40
1207 Screw (4-36 x 5/16 Flat)	1,4,15,18 19,21	34432 Washer	1,2,3,23
1208 Screw (10-32 x 5/8 Fil)	10	35503 Foot-Rubber	7,16
1226 Screw (6-40 x 3/4 Fil)	5,14,17,18,20	44048 Washer	24,32
1248 Screw (6-40 x 1/2 Flat)	11,25,28	45969 Screw (10-32 x 3/4 Flat Hd)	2,3,6,10 14,15,18,19,21,26,27,29
1257 Screw (10-32 x 1-1/8 Fil)	25	55309 Screw (6-32 x 1/2 Oval)	7,8,11,23,27
1284 Screw (8-32 x 1/2 Flat)	27	55318 Screw (6-32 x 1/4 Rd)	4,5,15,18,19 20,21,22,34,37
1286 Screw (10-32 x 7/16 Fil)	16,25	62135 Screw (6-32 x 5/8 Rd Hd)	29
1294 Screw (4-36 x 1/2 Flat)	26	70314 Washer	28
1303 Screw (6-40 x 13/32 Fil)	7,11,16,25	71155 Screw (6-32 x 1-1/4 Flat Hd)	11,17,25
2191 Lockwasher	1,4 through 12	71266 Washer	1
14 through 22,24 through 28,36,37,39,42,43,44		71646 Nut (6-32 Hex)	16
2201 Nut (5/16-32 Hex)	1	71672 Clamp, Cable	29
2263 Nut (8-32 Hex)	24	71858 Washer	41
2322 Lockwasher	41,43	72508 Screw (6-40 x 3/4 Hex)	29
2382 Lockwasher	8,11,16,17,23,25,27,30,31 33,37,42,43,44	72509 Lockwasher	4,6,10,14,15,18 19,21,23,26,27
2383 Lockwasher	16	72712 Washer	25
2407 Lockwasher	10	72728 Receptacle, Polarized	5,8,10,11,14,17 18,20,22,23,30,31,32,33,34,35,36
2449 Lockwasher	30,31,32,33,34,35,37,39 40,41	73098 Plate, Receptacle	8
2658 Nut (6-32 Hex)	37	73175 Lockwasher	12,13,15
2663 Buffer-Rubber	16,25,26,41,44	73374 Spacer	39
2669 Lockwasher	1,2,3,5,6,9,10,13,14,15 18,19,20,21,23,24,26,27,28,29,41	73643 Guide, Line	26
2846 Lockwasher	30,31,32,33,34,35,37,39	73670 Block Assembly, Terminal	22
2848 Washer	41	73705 Block, Terminal	5,10,14,18,20
2920 Lockwasher	12,13,15	74567 Screw (1/4-20 x 33/64 Hex)	39
3292 Nut (1/4-20 Hex)	39,40,41,43	74587 Base, Pad	40
3354 Nut (8-32 Hex)	34,37	74682 Screw (10-32 x 1-1/8 Flat)	1,7,11,16
3438 Washer	1,14,23,24,30,31,32,33 35,43,44	74805 Screw (10-32 x 3/4 Hex)	11,17,25
3466 Stop	26	74807 Nut (10-32 Hex)	10
3598 Nut (6-40 Hex)	1,7,8,10,11,12,14,16,17 24,26,27,28,42,43,44	74900 Washer	4,15,19,21
3599 Nut (4-40 Hex)	44	74952 Screw (4-40 x 5/8 Fil)	16
3606 Nut (6-40 Hex)	6,36	75400 Screw (6-40 x 1 Fil)	5,20
3639 Lockwasher	10,30,31,33	75429 Screw (10-32 x 1-1/2 Flat)	25
3640 Lockwasher	16,18,26,44	75750 Washer - Fiber	5,14,20,22,30,33
3646 Lockwasher	29,34,37	76099 Washer	5,7,11,16,20,22,25
3650 Washer	5,10,14,18,20,22,29		



DESCRIPTION	PAGE NO.	DESCRIPTION	PAGE NO.
76249 Screw (6-40 x 1/8 Fil)	16	91150 Screw (10-32 x 1-9/16 Fil)	23
76281 Terminal, Lug	23	91742 Locknut	38
76427 Nut (6-40 Thumb)	25	91744 Screw (6-40 x 13/16 Fil)	5,7,20,22
76465 Bushing-Fiber	29	91746 Block, Terminal	5,7,20,22
76834 Screw (4-40 x 3/8 Flat Hd)	44	91852 Fixture, Connector	38
77031 Bracket	29	91856 Box, Switch	10,14,27,30,31,33,37
77046 Strip, Mounting	29	91857 Cover, Switch	27,30,31,33,37
77125 Contact Assembly	29	91858 Block, Terminal	8,27,34,37
77221 Bracket	26	91859 Jack	5,8,10,11,14,17,18,20,22
77347 Plate	23		27,30,32,33,34,35,37
77348 Receptacle	5,14,18,20,22	91861 Bushing	5,7,8,16,22,23,34,37,38
	25,32,33,35,37	91862 Receptacle, Polarized	5,8,10,14,18,20
77670 Pad - Felt	10,14,23,26		22,30,32,33,34,35
77699 Container, Chad	4,6,10,14,15,18,19	91863 Pad - Felt	2,8,10,14
	21,23,24,26	92260 Lockwasher	30,31,32,33,35
78028 Screw (6-40 x 1 Hex)	12	92264 Screw (6-32 x 2-1/4 Rd)	35
78245 Screw (6-32 x 7/8 Flat Hd)	16	92271 Screw (6-32 x 1/4 Rd)	5,20,22
78301 Screw (10-32 x 5/8 Hex)	13,15	92343 Mounting, Jack	10,14
78445 Rivet	5	92527 Lockwasher	29
78469 Bumper-Rubber	1,41,43	92551 Stud	1,2,3,25
79152 Lamp	39	92552 Sleeve	1,2,3,25
79844 Plate	27	92553 Cap, Locating	1,2,3,25
80342 Screw (6-40 x 23/64 Hex)	28,42	92556 Holder, Fuse	14,27,30,31,33
80402 Screw (4-40 x 15/32 Fil)	16	92763 Frame, Distributor Mounting	2,3
80419 Plate	1	92764 Pad-Felt	2,3
80444 Screw (6-40 x 1/4 Hex)	1,11,16,25	92765 Pad-Felt	3,4,6,10,14,18,19,21,26,27
80542 Plug, Polarized	5,14,17,18,20,22	92767 Pad-Felt	26
	23,30,31,32,33,35,36,37	92768 Pad-Felt	26
80757 Screw (10-32 x 1/2 Fil)	5,20	92782 Mount, Vibration	16,25
80845 Screw (10-32 x 1-13/16 Fil)	1	93030 Mounting-Rubber	16
80925 Connector, B/X	8,10,23,38	93127 Screw (6-32 x 7/16 Flat)	27
80935 Connector, B/X	23,38	93191 Screw (4-40 x 5/16 Flat)	41,43,44
81230 Plate, Cover	25	93878 Paper Supply Box	41,43
81258 Screw (6-40 x 5/8 Flat)	16	93959 Key	39
81273 Switch	4,10,14,15,19,21,27,37	94009 Switch, Toggle	10
81336 Cap, Lamp	39	94221 Screw (4-40 x 1/4 Flat)	44
81774 Washer	5,7,20,22	94222 Screw (6-40 x 3/8 Fil)	1,7
81778 Screw (4-40 x 1/4 Rd Hd)	29	94656 Screw (6-32 x 5/16 Fil)	34
81843 Screw (10-32 x 3/8 Rd Hd)	34,37	94657 Washer	34
82020 Buffer	1	94658 Cover	34
82415 Latch	10,14	94659 Bushing	38
82440 Screw (6-40 x 7/16 Hex)	6	94660 Connector, B/X	37,38
82702 Screw (6-40 x 9/32 Flat)	39,43	94661 Bushing	38
82833 Washer	41,43	94734 Connector, B/X	38
83703 Screw (1/4-20 x 3/4 Fil)	41	94735 Connector	38
83885 Nut (6-32 Hex)	17,30,31,32,33,34,35	94874 Buffer	1
84054 Spring, Contact	29	95001 Pad-Felt	4,18,19
84055 Spring, Contact	29	95002 Holder, Fuse	5,10,17,18,20,22,34,37
84056 Stiffener	29	95003 Receptacle (3 Wire)	30
84057 Terminal	29	95004 Bracket	5,14,18,20,22
84579 Washer	28,30,31,33,37	95005 Resistor	5,14,20,22,30,32,35
84990 Screw (6-40 x 3/16 Flat)	25	95006 Bracket	5,18,20,22
85595 Nut (3/8-16 Hex)	12,13,15	95007 Switch	4,15,16,19,21,25
85609 Screw (1/4-20 x 5/8 Rd Hd)	43	95008 Switch, Lever	4,15,19,21
85803 Spacer	30,31,32,33	95009 Switch, Push	4,15,19,21
86850 Screw (10-32 x 1-1/4 Fil)	16	95038 Holder, Card	4,15,18,19,21
87635 Screw (6-32 x 1/2 Fil)	7,32,35	95039 Strip	4,15,18,19,21
87636 Screw (2-56 x 3/32 Rd)	5,20,22	95040 Card, Bristol Board	4,15,18,19,21
88092 Washer	4,15,19,21	95041 Plate	5,18,20,22,34
89535 Buffer-Felt	44	95042 Latch	1
90109 Fusetron	25,27	95049 Screw (10-24 x 1/2 Spl)	5,18,20,22,23
90565 Spacer	16	95065 Jumper	5,20,22
90935 Stud	42,43,44	95128 Caster	1
90959 Screw (6-32 x 3/8 Oval)	24	95191 Cable	8



DESCRIPTION	PAGE NO.	DESCRIPTION	PAGE NO.
95228 Cover, Perforator	26	102513 Mount, Vibration	1,7
95229 Copyholder	26	102514 Mount, Vibration	1,7
96106 Ground Wire	34	102523 Cover	44
97007 Switch, Toggle	18	102528 Strip	7
97414 Shelf	40	102529 Strip	7
97441 Bracket	10	102532 Foot-Rubber	7
97473 Strip, Terminal	10,14	102533 Disk, Locating	1,7,11,16,25
97492 Nut (10-24 Hex)	14,30,31,32,33,35	102534 Bracket	44
97499 Knob	9	102535 Strip, Terminal	11
97598 Cable	27	102536 Strip	44
97620 Plate	27	102537 Block, Terminal	11
97722 Receptacle, Duplex	27	102539 Catch	44
97723 Block, Fuse	10	102540 Receptacle	25
97724 Bracket	10	102541 Receptacle	7,11,17,37
97742 Stud	9	102542 Receptacle	17
97840 Receptacle, Duplex	1,11,17,18 25,34,37	102560 Cover	40
97848 Receptacle	17	102622 Key	16
97908 Spacer	9,12,13	102683 Washer	1,7,11,16
97934 Pad-Linoleum	10,14	102684 Plate, Clamp	11,16,25
98093 Cover, Perforator	26	102685 Plate, Cover	16,25
98094 Pad-Side	26	102688 Plate	11,25
98390 Pad-Felt	9	102689 Plate	11
98642 Lockwasher	32,35	102690 Receptacle, Duplex	17
98688 Housing	16	102693 Receptacle	17,25,36
98693 Knob	16	102739 Channel	16
98694 Latch	16	102740 Clamp	16
98704 Spring	16	102741 Strip, Lining	16
99207 Washer	39,41	102745 Handle	16
99494 Channel	16	102751 Nut (10-32 Hex)	25
99784 Spacer	12	102752 Switch	11
99904 Pad-Felt	2,28	102753 Plate	11
99905 Stud	28	102754 Yoke	11
99906 Plate	28	102755 Screw (6-40 x 9/32 Flat)	16,17,25 42,43,44
99908 Mount, Vibration	12,15	102762 Guide, Tape	16
99964 Pad-Felt	4,15,18,21,28	102809 Stud	12,13,15
101016 Guard	28	102880 Bar, Locating	25
101594 Tape, Magazine	16	102881 Plate, Adapter	25
101722 Nut (1/4-20 Hex)	32,34,35,37	102968 Cushion	16
101756 Lug, Ground	23	102983 Container, Barrier	37
101840 Strip, Mounting	17,25	103017 Receptacle	7
101841 Strip, Mounting	17,25	103044 Panel-Rear	44
101843 Strip	17	103045 Panel	43
101844 Bracket	11	103064 Catch, Ring	42,43,44
101845 Plate, Clamp	7,11,17,25	103066 Cover	44
101856 Bracket, Adapter	17,23,37	103068 Strip	44
101857 Plate	25	103075 Bushing	38
101861 Pad-Rubber	11,16,25	103081 Screw (1/4-20 x 1/2 Fil)	31,34,37,41
101862 Rail, Guide	44	103092 Connector, Cord	7,16,34,37,38
101918 Panel-Glass	16	103093 Connector, Cord	23
101945 Resistor	32,35	103094 Coupling	38
102046 Cabinet, Tape Winder	16	103095 Bushing	38
102054 Door-Rear	42	103098 Strip, Mounting	11
102067 Rail-Right	29	103099 Strip, Mounting	11
102069 Rail-Left	29	103100 Strip, Mounting	11
102130 Plate	7,11,17	103125 Clamp, Cable	25
102131 Spacer	25	103137 Key	16
102166 Barrier	11	103138 Key	16
102460 Socket, Lamp	39	103139 Block	16
102474 Button	4,19,21	103140 Cover	16
102492 Channel, Mounting	16	103167 Pad-Felt	12,13
102508 Mount, Vibration	11,16,25,28	103284 Fusetron	5,17,20,22,31
102509 Mount, Vibration	1,7,11,16,28	103285 Fusetron	17,30,33
102510 Mount, Vibration	16	103287 Fusetron	5,20,31

DESCRIPTION	PAGE NO.	DESCRIPTION	PAGE NO.
103288 Fusetron	5,20	108103 Washer-Brass	37
103353 Nut	41	110191 Lockwasher	32
103358 Holder, Fuse	25	110422 Screw (1/4-20 x 1/4 Rd.)	15
103377 Washer	12,13,15	110435 Nut (4-40 Hex.)	44
103388 Catch	1	110727 Ring, Screw	15
103450 Stud	42,43,44	110757 Foot-Rubber	2,3,4,6,8,10,14,18,20, 22,23,26,27
103540 Stud	28	110949 Terminal	30,33
103622 Plate, Instruction	5,20,22	111017 Screw (6-40 x 5/16 Fil.)	1,24,26,36
103623 Plate, Instruction	5,20,23	111039 Electrical Service Assembly	32
103699 Screw (6-32 x 5/8 Flat Hd.)	27	111040 Panel, Line	32
103779 Spacer	12,13,15	111041 Container	32
103985 Plate, Switch	10	111042 Electrical Service Assembly	3,33
104017 Stud	13,15	111049 Washer, Insulator	32,35
104032 Pad-Felt	15	111062 Terminal, Eyelet	32,35
104035 Plate, Distributor Mounting	15,29	111063 Terminal	30,31,32,33,35
104059 Block, Spacer	13,15	111064 Screw (8-32 x 3/8 Fil.)	30,31,33
105100 Grommet	31	111066 Container	30
105182 Electrical Service Assembly	2,30	111067 Grommet	30,33
105185 Electrical Service Assembly	26,31	111072 Panel, Line	30
105191 Bracket	10,14	111073 Panel, Power	30
105205 Bracket	5,20	111075 Cable D.C.	30
105206 Plug	5,14,20,30,31,32,33,35	111076 Cable A.C.	30
105391 Switch, Knife	5,20	111081 Mounting, Jack	32
105414 Collar, Spacing	32,35	111283 Connector	20,33
105433 Bracket	26	111284 Block, Terminal	20
105567 Screw (10-24 x 1/2 Fil.)	30,31,32 33,35	111469 Panel, Power	32
105567 Screw (1/4-20 x 9/16 Fil.)	32,35	111598 Panel, Line	33
105851 Container	35	111606 Panel, Power	33
105855 Strip, Terminal	5,20	111607 Receptacle	14,20,32
105857 Panel, Power	35	111613 Foot	24
105858 Panel, Line	35	111638 Pad-Felt	4
106054 Fusetron	30,33	111725 Bracket	14
106255 Screw (10-24 x 1-1/4 Fil.)	30,31,32 33,35	111726 Bracket, Terminal Block	14
106844 Bracket	20	111727 Bracket, Fuse Block	14
106893 Pad-Felt	1,2,3	111728 Bracket, Fuse Block	14
106974 Panel	40	111729 Pad-Felt	3
106977 Baffle Plate	39	111768 Plate, Receptacle Mounting	14
106983 Rectifier Mounting Parts	17,39	111769 Bracket	20
106984 Accessory Kit to Provide Mounting Parts for the 118548 Tape Storage Magazine	41	111770 Bracket	20
106985 Door Assembly	5,42	111771 Block, Mounting	20
106986 Paper Supply Box	43	111788 Cable D.C.	33
107177 Pad-Felt	23	111855 Container	33
107197 Container	31	111856 Cable A.C.	33
107198 Connector, Cable	30,31,33	112494 Insulator Washer	32,35
107199 Panel, Line	31	112495 Screw (10-24 x 2-5/8 Rd.)	32,35
107200 Panel, Power	31	112626 Nut (10-32 Hex.)	1,6,9,11,13,15,17,28
107201 Cable A.C.	31	112627 Nut (2-56 Hex.)	40,44
107242 Cable D.C.	31	113228 Strip, Insulator	14
107271 Switch	30,31,33	114206 Spring	10,14
107357 Cable A.C.	32,35	114678 Copyholder Assembly	10,14,23,26
107358 Cable D.C.	35	114764 Fastener	5,18
107362 Screw (6-32 x 2-1/2 Rd.)	14	114765 Grommet	1,42
107363 Screw (6-32 x 5/16 Oval)	31,32,35	114766 Stud	1,42
107364 Screw (6-32 x 3/8 Fil.)	30,31,32,33,35	115508 Reducing Washer	14,38
107365 Screw (6-32 x 3/8 Oval)	30,31,32,33,35	115540 Cover Assembly	23,26
107366 Screw (6-32 x 1 Oval)	30,31,32,33,35	115593 Screw (10-32 x 1/2 Rd.)	39,40
107367 Screw (10-24 x 2-1/2 Rd.)	30,33	115708 Cover, Perforator	26
107398 Terminal, Hook	32,34,35	115716 Door Assembly	42
107538 Cable D.C.	32	115717 Panel Assembly	43
108010 Screw (6-40 x 1/8 Fil.)	14,20	115718 Rear Panel Assembly	44
		115719 Plate, Cover	40
		115720 Paper Supply Cover	44
		115725 Tape Winder Mounting Parts	16
		115730 Paper Supply Box	41



DESCRIPTION	PAGE NO.	DESCRIPTION	PAGE NO.
115731 Paper Supply Box Assembly	43	118890 Block, Terminal	18
115755 Set of Parts for Mounting the Paper Supply Box	41	118906 Clip	34,37
115758 Cover, Perforator	26	118926 Container	34
115759 Shelf	40	118927 Barrier	34
115780 Set of Silencing Pads	28	118928 Cover	34
115817 Set of Parts to Provide a Shelf on the Left Side of the XRT200 Table	41	119634 Button - Plug	42
115818 Set of Parts to Provide a Tape Bin on the Left Side of the XRT200 Table	41	119635 Button - Plug	18,42
115931 Nut (10-32 Hex.)	26	119636 Button - Plug	42
115932 Plate, Distributor Mounting 2,3,4,6, 10,14,18,19,21,25,26,27,29	29	119637 Button - Plug	2,3,14,18,42
115933 Plate, Distributor Mounting	29	119638 Button - Plug	42
115935 Guard-Left	29	119639 Button - Plug	42
115936 Guard-Right	29	119640 Button - Plug	42
115937 Guard	29	119641 Button - Plug	42
116082 Screw, Shoulder (1/4-32 Special)	41	119743 Grommet	32,35
116107 Bin, Tape	41	119744 Insulator	32
116496 Washer- Rubber 5,14,18,20,22	5,14,18,20,22	119745 Clamp, Cable	32
117081 Mount, Vibration 2,28	2,28	119746 Plate, Insulator	32,35
117082 Mount, Vibration 4,18,21,28	4,18,21,28	119747 Strip	32
117189 Duct, Wire 18	18	119748 Frame	5,20,22
117302 Mounting, Jack 5,8,10,11,17,18,20, 22,30,33,34,35,37	5,8,10,11,17,18,20, 22,30,33,34,35,37	119749 Bracket	39
117303 Plate, Cover 5,8,11,17,18,20,22,34,37	5,8,11,17,18,20,22,34,37	119750 Chad, Chute	41
117776 Cable 34	34	119751 Cover, Switch Box	18
117777 Block, Mounting 39	39	119752 Bracket	41
117778 Plate, Designation 39	39	119753 Bracket	41
117779 Key 39	39	119754 Bracket, Receptacle	20
117794 Lamp and Key Assembly 7,39	7,39	119756 Clamp, Cable	35
117796 Cable - Line 7	7	119757 Plate, Instruction	35
117852 Electrical Service Assembly 34	34	119758 Plate, Insulator	35
117908 Support - Long 1,7	1,7	119760 Clamp, Cable	35
117909 Support - Short 1,7	1,7	119762 Screw (6-32 x 5/8 Oval)	32
117913 Duct, Wire 5,20,22	5,20,22	119763 Screw (10-24 x 1 Fil.)	32
117914 Duct, Wire 5,20,22	5,20,22	119768 Screw (8-32 x 2-1/2 Oval)	32
117915 Duct, Wire 5,20,22	5,20,22	119979 Strike, Fastener	1
117916 Plate, Cover 5,20,22	5,20,22	120062 Switch Bracket	39
117917 Plate, Cover 5,20,22	5,20,22	120074 Table Top	40
117918 Plate, Cover 5,20,22	5,20,22	120486 Cover Assembly	10,14,26
117919 Plate, Cover 4,15,18,19,21	4,15,18,19,21	120508 Mount, Vibration	11,16,25,28
117920 Plate, Cover 5,20,22	5,20,22	120509 Mount, Vibration	11,16,28
117921 Cover, Terminal Box 18	18	120810 Container	37
117922 Cover 18	18	120962 Cover Assembly	6
117923 Duct, Wire 18	18	120963 Pad-Felt	6
117924 Duct, Wire 18	18	120964 Pad-Felt	6
117925 Duct, Wire 5,20,22	5,20,22	120985 Cable	37
117926 Plate, Cover 18	18	120986 Cable	37
118102 Hinge 44	44	120991 Strip	6
118103 Shelf 44	44	120992 Pad-Felt	6
118283 Plate, Adapter 7	7	120993 Pad-Felt	6
118457 Box, Control Key 16	16	120994 Pad-Felt	6
118458 Tape Magazine Assembly 16,25,41	16,25,41	121005 Screw (Self Tapping #6)	1
118459 Plate, Magazine Mounting 16,25	16,25	121248 Clamp, Cable	8
118483 Guard 16	16	121295 Plate	10,14
118514 Pad - Felt 7	7	122244 Retaining Strip	40
118834 Cabinet Assembly 16	16	122545 Plate, Identification	40,44
118859 Bar, Cross 41	41	122945 Catch Plate	1
118861 Bar, Cross 43	43	122946 Bracket, Catch	1
118862 Bar, Vertical 43	43	122949 Bracket	1
118863 Brace 43	43	122950 Rack, Equipment	1
		122951 Roller	1
		122952 Screw (5/16-32 Shoulder)	1
		122953 Handle	1
		122954 Rack Assembly	1
		123493 Pad-Top	28
		123494 Pad-Right Side	28
		123495 Pad-Left Side	28



DESCRIPTION	PAGE NO.	DESCRIPTION	PAGE NO.
123497 Strike	1	151661 Screw (6-40 x 1 Fil.)	36
123498 Catch	1		
123724 Block, Terminal	39		
123970 Plate, Adapter	17		
123971 Plate, Cover	17		
123972 Plate	17		
124178 Plate	7		
124186 Reducing Washer	38		
124656 Panel	1		
124657 Door	1		
124814 Box, Switch	8		
124844 Shelf	41		
125005 Screw (2-56 x 3/16 Rd.)	40,44		
125011 Washer	16		
125015 Washer	7,16,27,44		
125108 Screw (6-32 x 3/8 Fil.)	10		
125127 Screw (6-32 x 7/16 Fil.)	39		
125143 Screw (6-32 x 3/8 Flat)	7,11,17		
125164 Screw (6-32 x 1 Fil.)	4,15,19,21		
125165 Screw (6-32 x 3/16 Flat)	34,37		
125170 Screw (8-32 x 7/16 Rd.)	24		
125179 Screw (6-32 x 3/16 Rd.)	5,10,14 20,22		
125191 Screw (10-32 x 3/8 Rd. Hd.)	18		
125200 Screw (10-32 x 1/2 Rd.)	11,23,27,30 31,33		
125212 Screw (6-40 Shoulder)	16		
125224 Nut (1/4-32 Hex.)	41		
125229 Nut (6-32 Hex.)	44		
125231 Nut (10-32 Hex.)	2,3,5,6,8,10,11,14, 15,16,18,19,20,21,23,25,27,30,37,42,43,44		
125235 Nut (4-36 Hex.)	4,15,18,19,21,26		
125716 Box, Switch	7,8,11,17,25		
125719 Nipple	14,30,31,32,33,35,38		
125720 Locknut	14,30,31,32,33,35,38		
125723 Fuse-3AMP	10,14		
125724 Fuse-10AMP	10,14		
125788 Spacer	5,20		
125802 Washer	44		
126253 Receptacle	5,10,14,20,22,23,27,31,37		
126254 Bracket Assembly	23		
126255 Bumper - Rubber	23		
126287 Electrical Service Assembly	34		
128356 Bracket	9,12,13,15		
128367 Bracket	23		
128374 Set of Silencing Pads	28		
128375 Rubber Pad - Right	28		
128376 Rubber Pad - Left	28		
128377 Rubber Pad - Top	28		
128654 Grip, Tape	24		
128655 Spring	24		
129330 Electrical Service Assembly	13,35		
129594 Plate	24		
129601 Bin, Tape	24		
129602 Electrical Service Assembly	24,36		
129605 Switch	36		
129607 Container	36		
129608 Pad	24		
129609 Frame, Pad	24		
129610 Cup	24		
129611 Plate	24		
129809 Electrical Service Assembly	6,37		
129811 Cover	37		
129813 Cover, Fuse	13,37		