

HIGH SPEED TAPE RECEIVER CABINET (AC) AND ELECTRICAL COMPONENTS

TYPE 5

PARTS

FIGURE	CONTENTS	PAGE
1	Cabinet	3
2	Cabinet (Continued)	4
3	Fan and Power Cord	5
4	Front Panel	6
5	Inner Frame and Tape Winder	7
6	Right and Left Channels	8
7	Chad Disposal	8
8	Tape Puller Mechanism	9
9	Punch Mounting Parts	10
10	Tape Container	11
11	148562 Electrical Service Panel Assembly	12
12	148850** Power Supply (Part of 199540** Receiver Module See Figure 13)	13
13	199540** Receiver Module (See Figure 12 for 148850** Power Supply)	14
14	148570 Frame Assembly	15
15	199784 Receiving Station Identifier Assembly	16
16	199788 Modification Kit to Provide Unattended Operation of a Send/Receive Station	17
17	Tape Container	18
18	Punch Cover	19
	Numerical Index	20

**Refer to page 2 for finish suffix

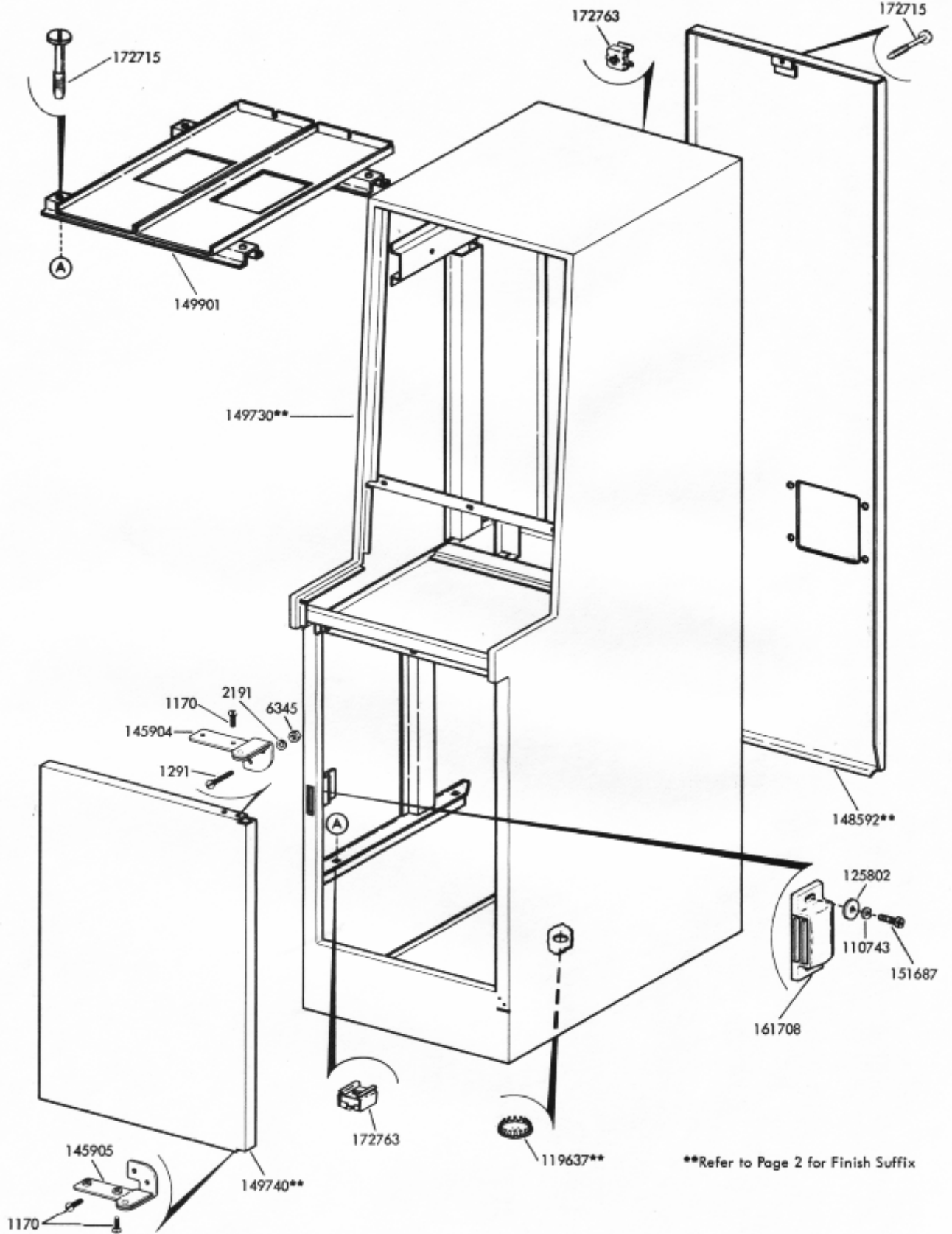
PAINT FINISH COLOR CODE CHART

(for parts and assemblies requiring a paint finish)

Color	Finish Suffixes				Color	Finish Suffixes						
	Wrinkle Finish	Smooth Finish	Textured Vinyl	Smooth Vinyl		Wrinkle Finish	Smooth Finish	Textured Vinyl	Smooth Vinyl			
Beige	AA (37)	ET			Gray, Federal	AB (40)	BV	GG	HB (68) HE HF (46)			
Beige, Light		EL			HC		Gray, Green	BK		GA (45)		
Beige, Rose		ER			Gray, Light		EJ					
Black		BA (34)			Gray, Covert		EW	GE				
Black, High Gloss					BB		Gray, Olive					
Black, Semi Gloss					EK		Gray, Maritime Deck	AJ		BJ		
Blue, Aqua					EC		Gray, Oxford			EP		
Blue, Brussels Light		ES					Green, Gray	AB (40)		BK	GA (45)	HD
Blue, Medium							EN					
Brown, Dark		AD (38)					Ivory			EM		
Brown, Light	AC (39)	HG	Pink, Rose			EU						
Fawn	AL	BZ	GC	HA	Turquoise		EV					
Gray, Beige					GF	White		EH				
Gray, Charcoal					GB	Yellow, Pastel		EG				
Gray, Dark												

The double asterisk (**) denotes a painted part. Suffix to be applied following the part number.
Number in parentheses indicates Bell System code.

MULTI-COLOR APPARATUS COLOR CODES		
Color Code	Basic Color	Finish Suffixes
MA	BEIGE	HC and HG
MB	GRAY	HB and HE
MC	GREEN	HD and HB
MH	GRAY	BJ and EJ



**Refer to Page 2 for Finish Suffix

FIGURE 1. CABINET

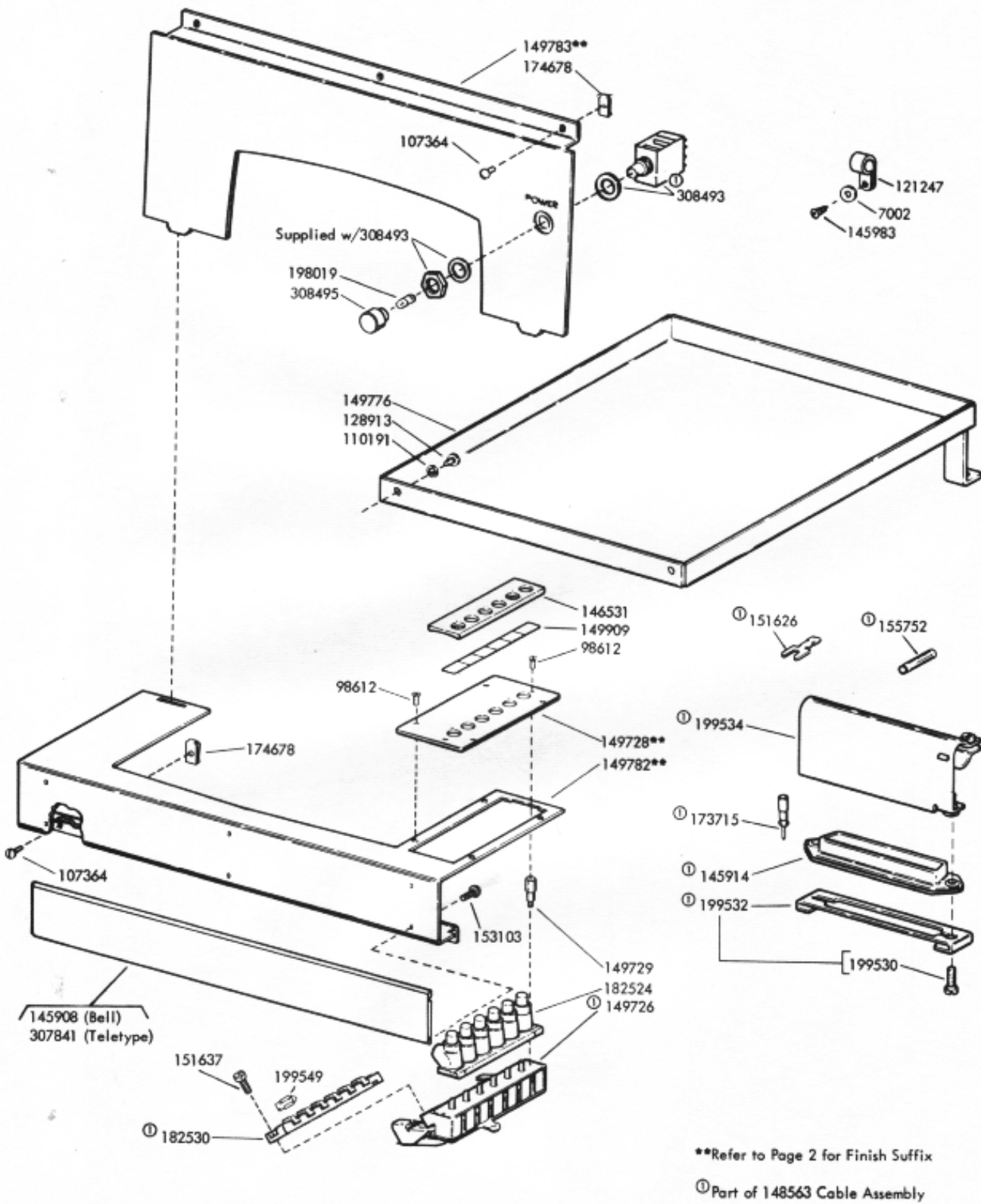
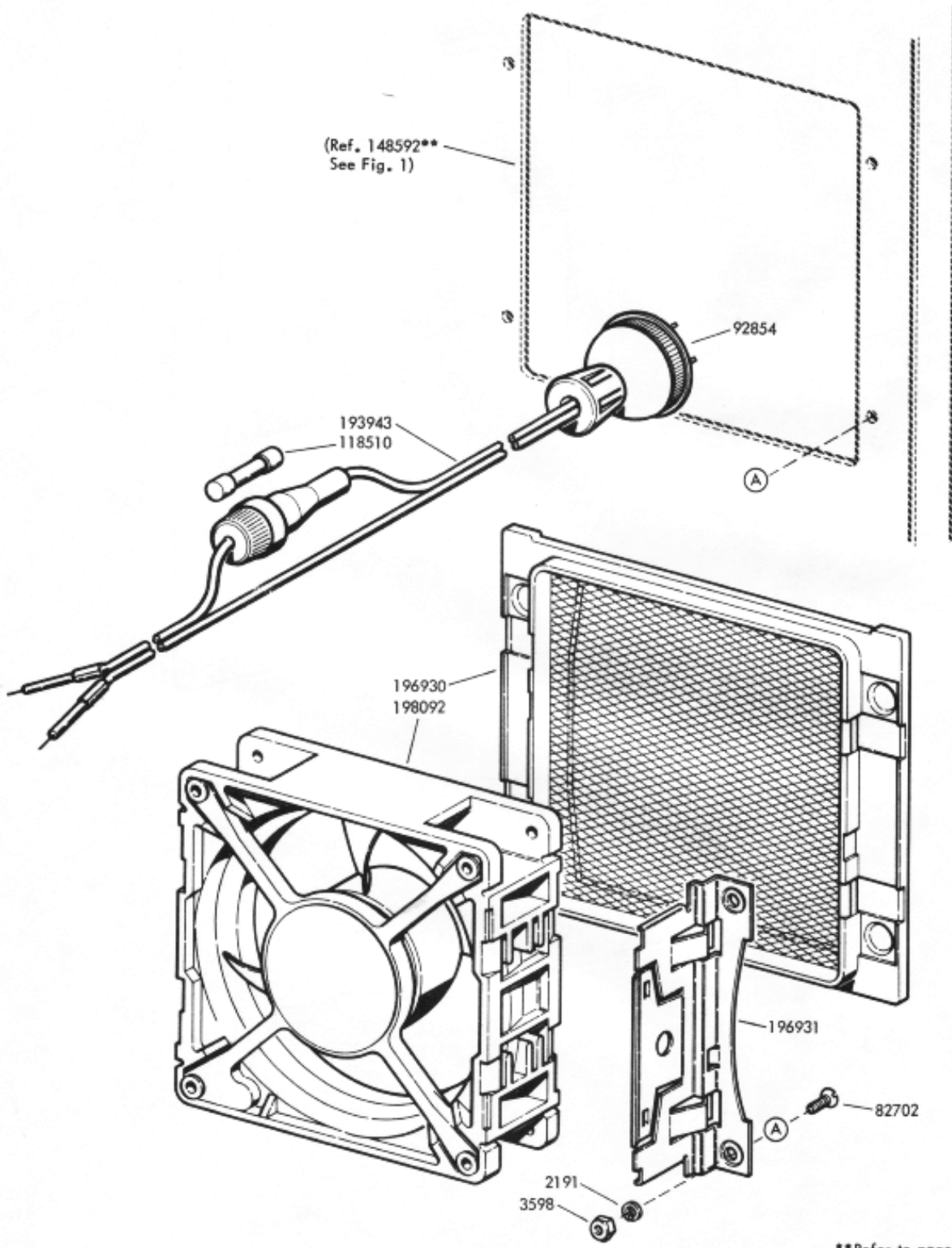
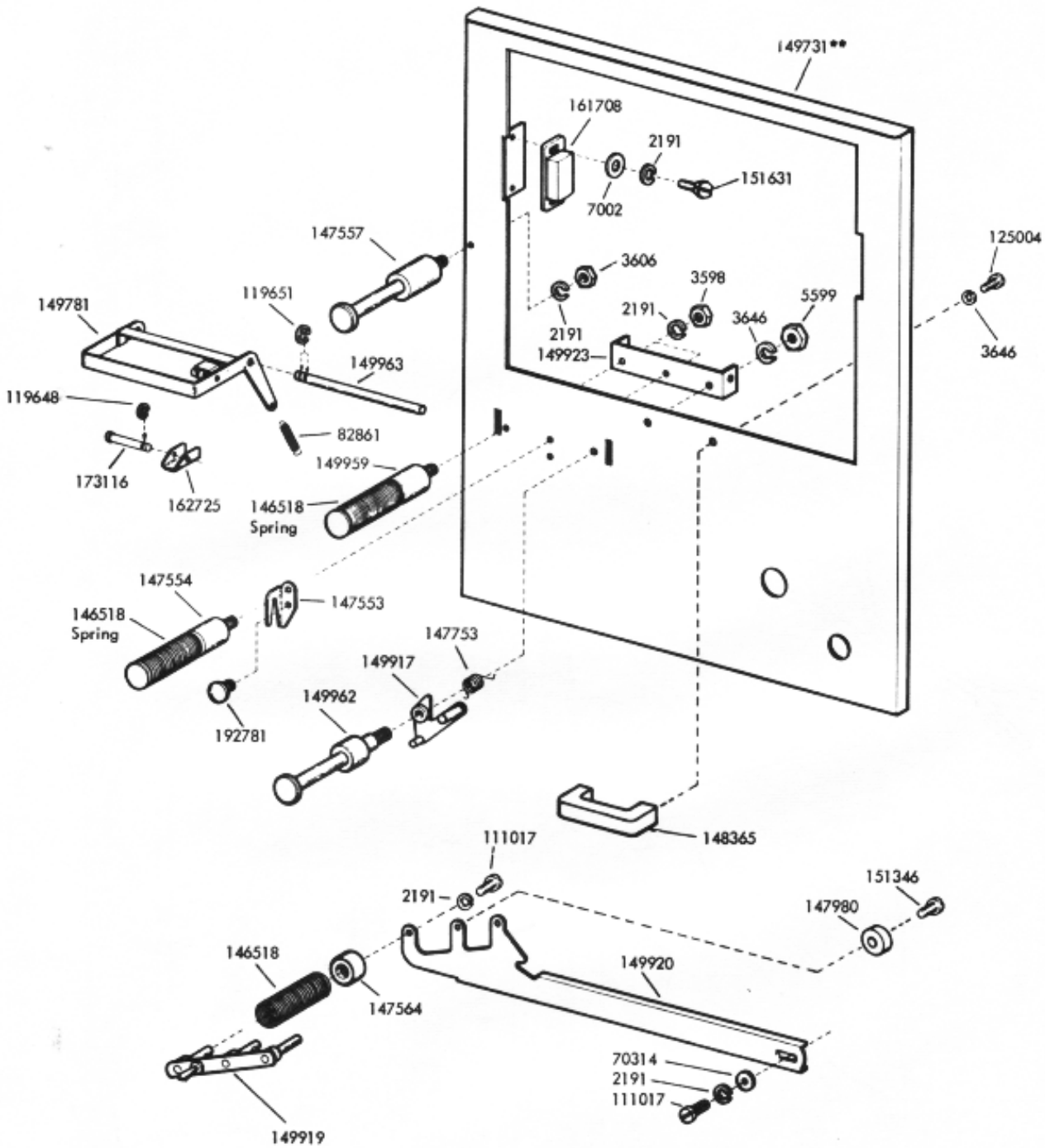


FIGURE 2. CABINET (Continued)



**Refer to page 2 for finish suffix

FIGURE 3. FAN AND POWER CORD



**Refer to page 2 for finish suffix

FIGURE 4. FRONT PANEL

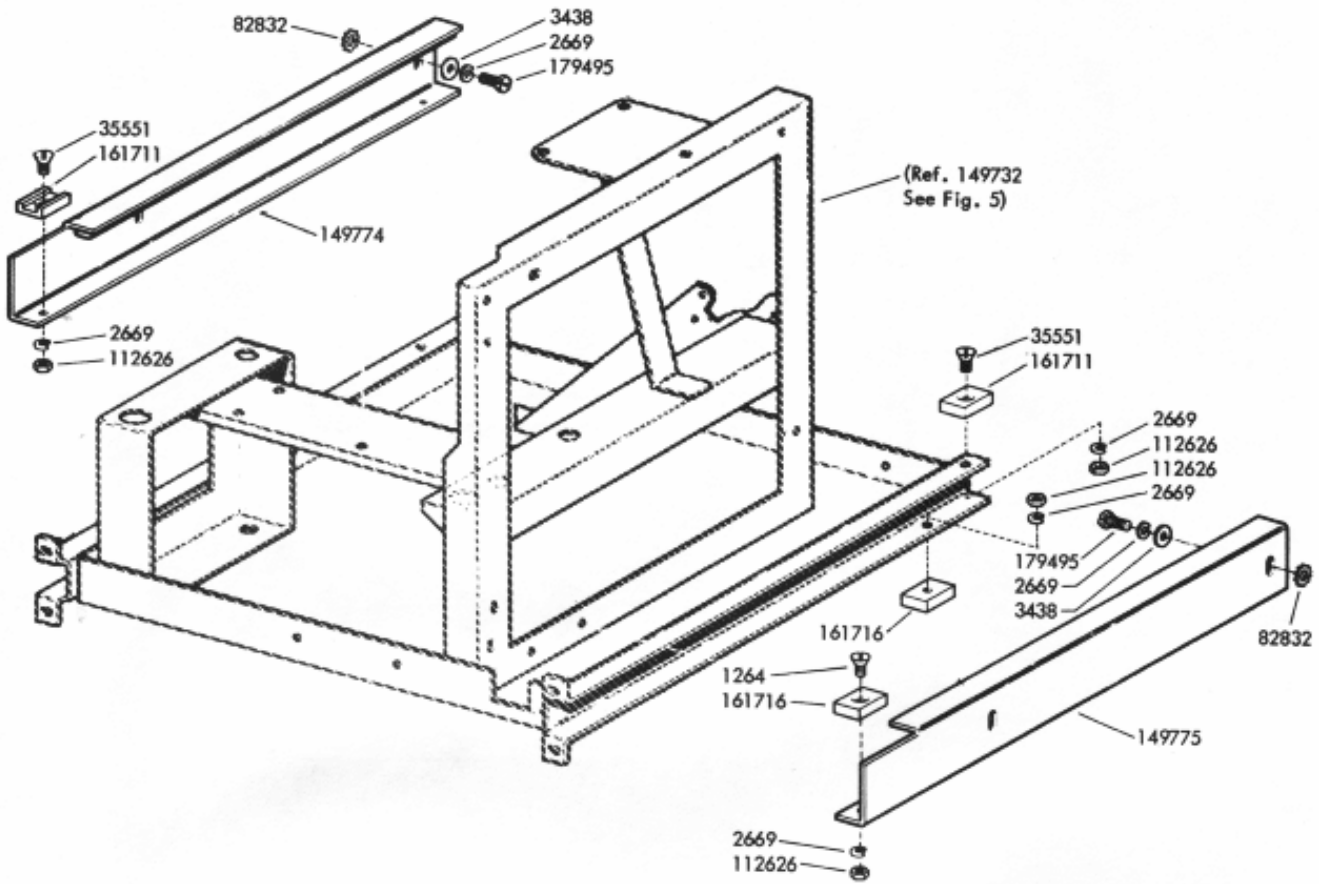


FIGURE 6. RIGHT AND LEFT CHANNELS

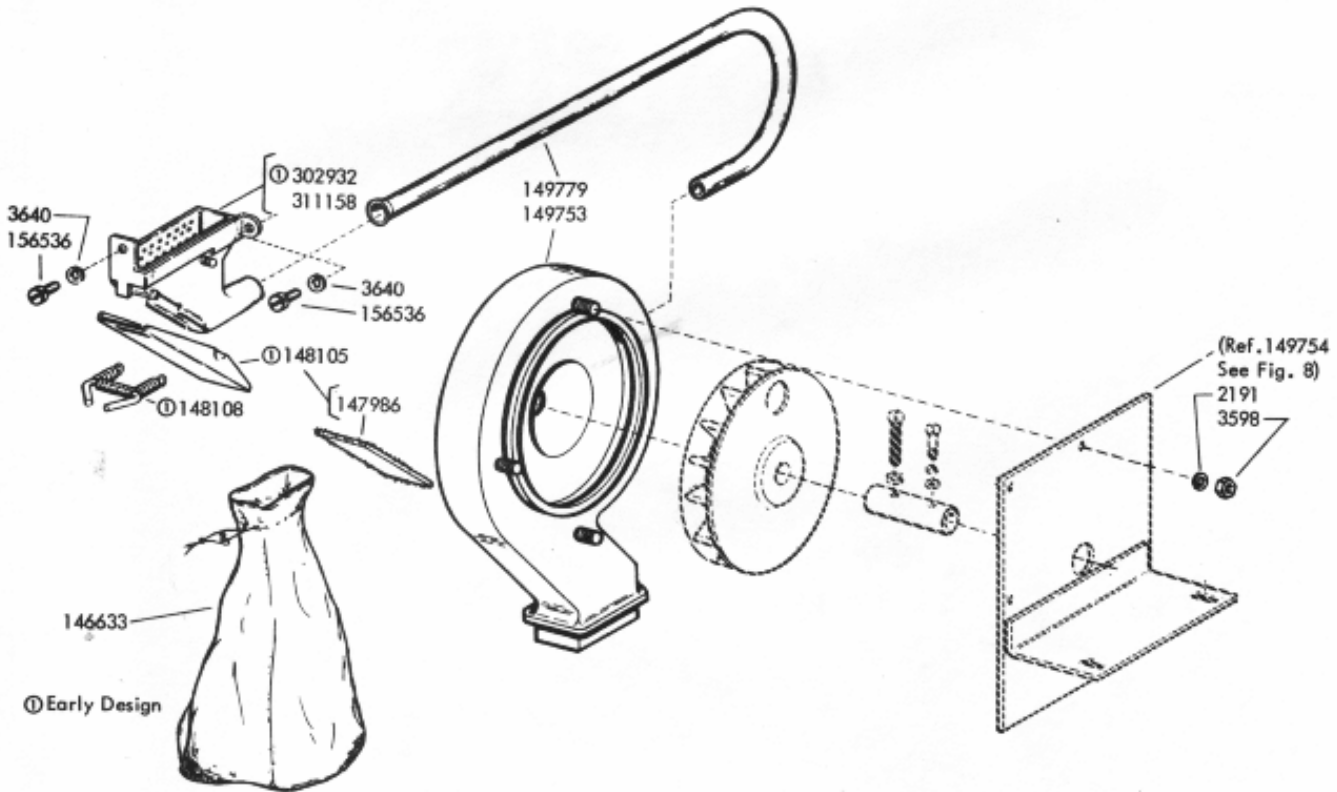


FIGURE 7. CHAD DISPOSAL

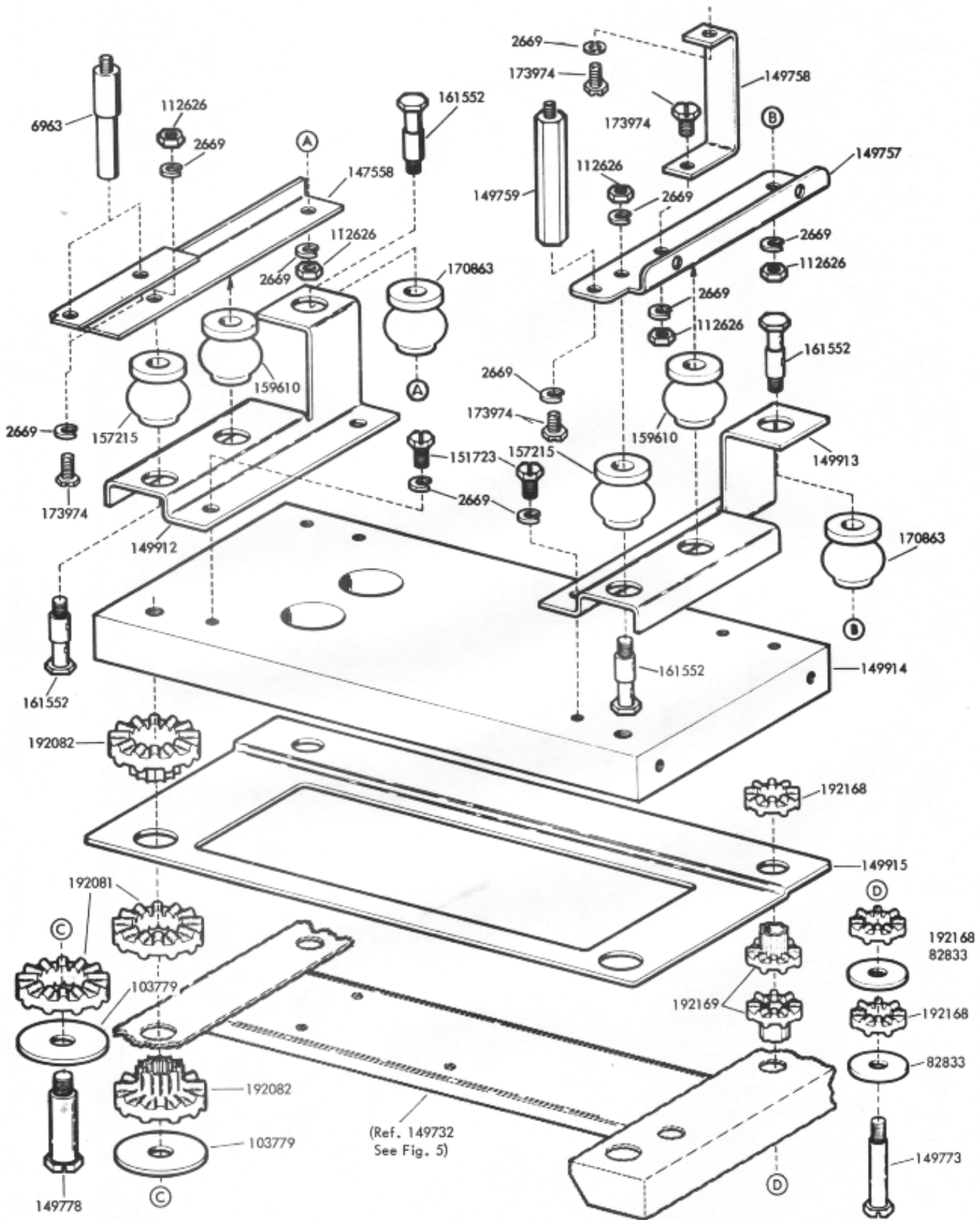


FIGURE 9. PUNCH MOUNTING PARTS

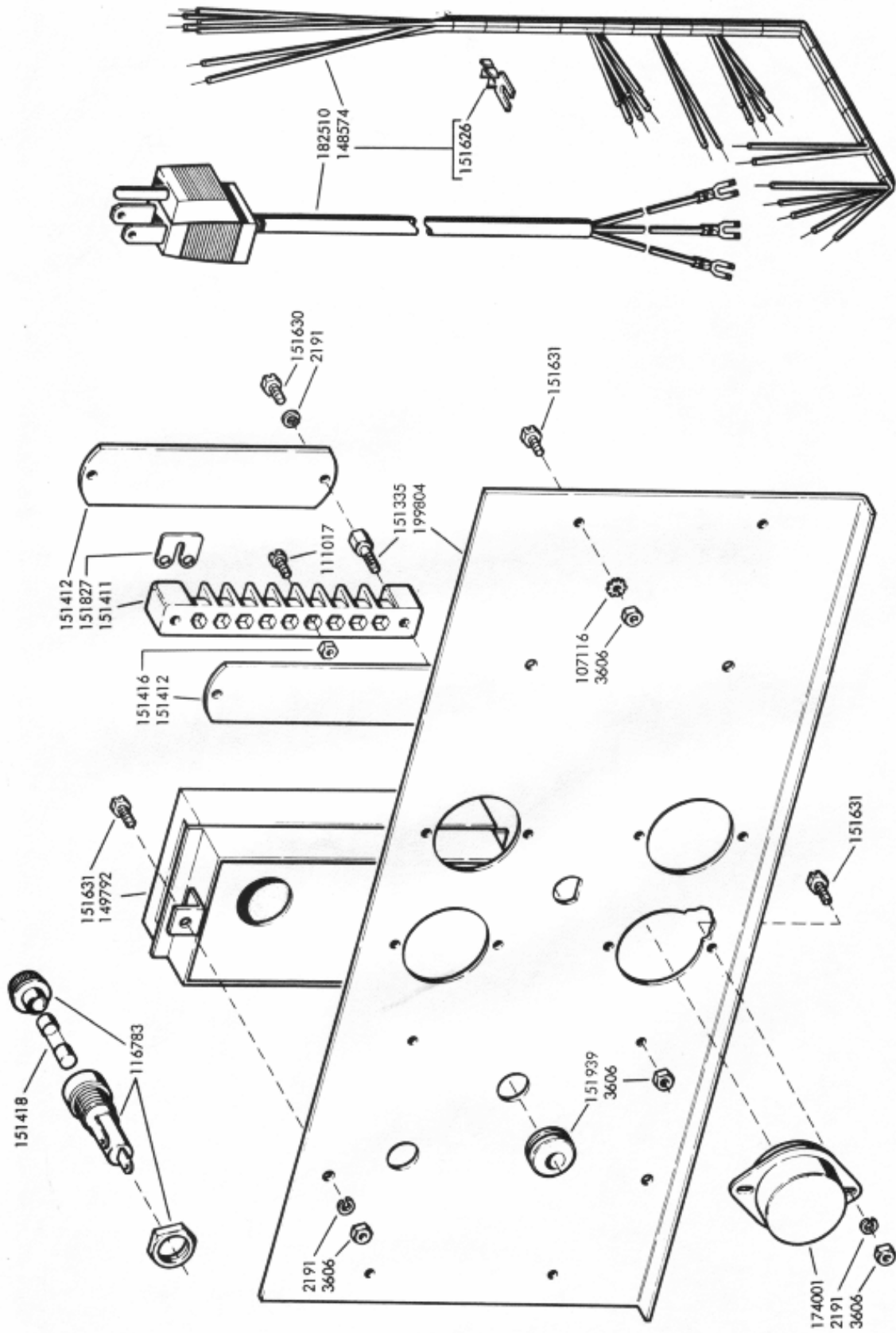
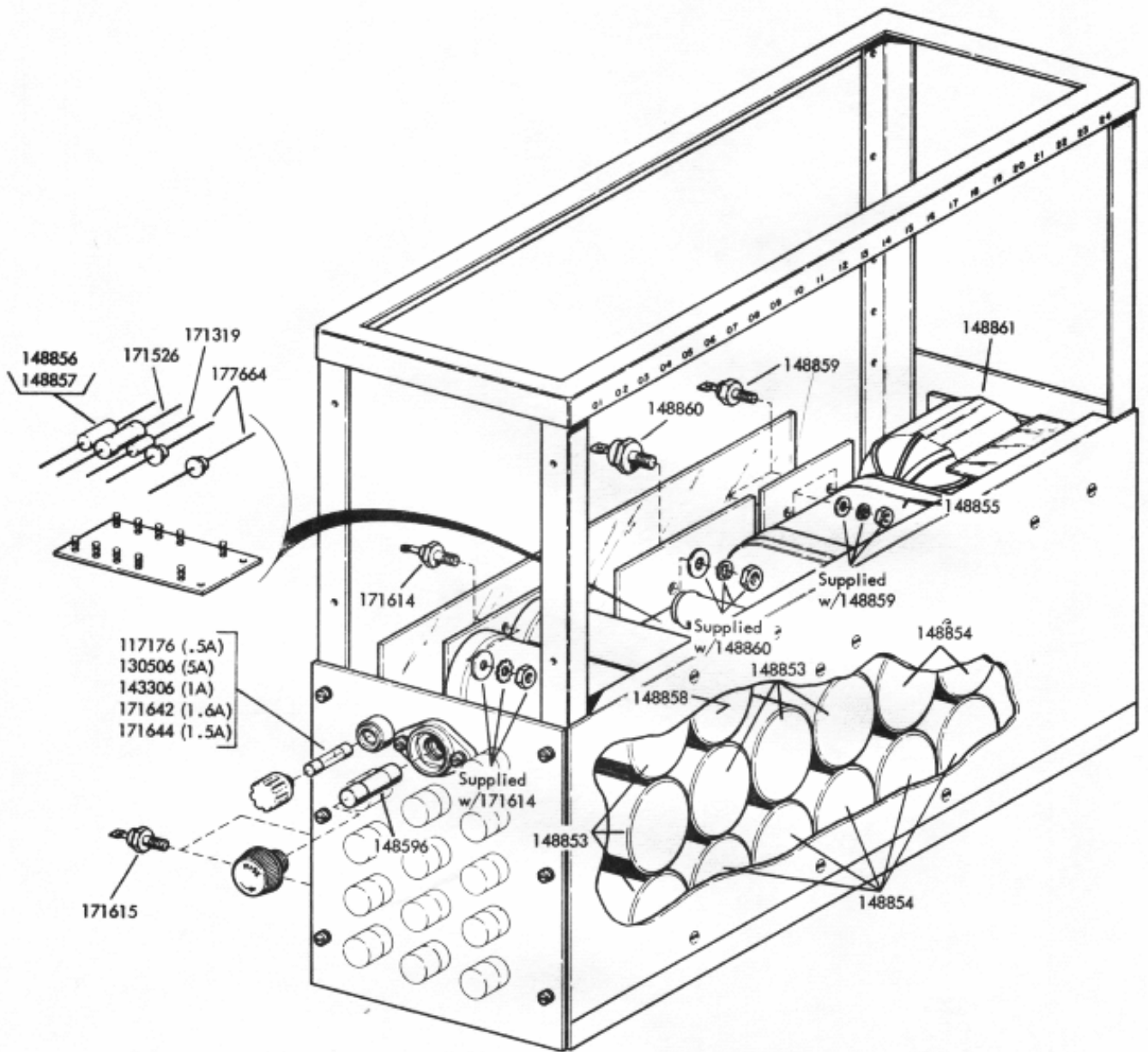


FIGURE 11. 148562 ELECTRICAL SERVICE PANEL ASSEMBLY



**Refer to page 2 for finish suffix

FIGURE 12. 148850** POWER SUPPLY (PART OF 199540** RECEIVER MODULE SEE FIGURE 13)

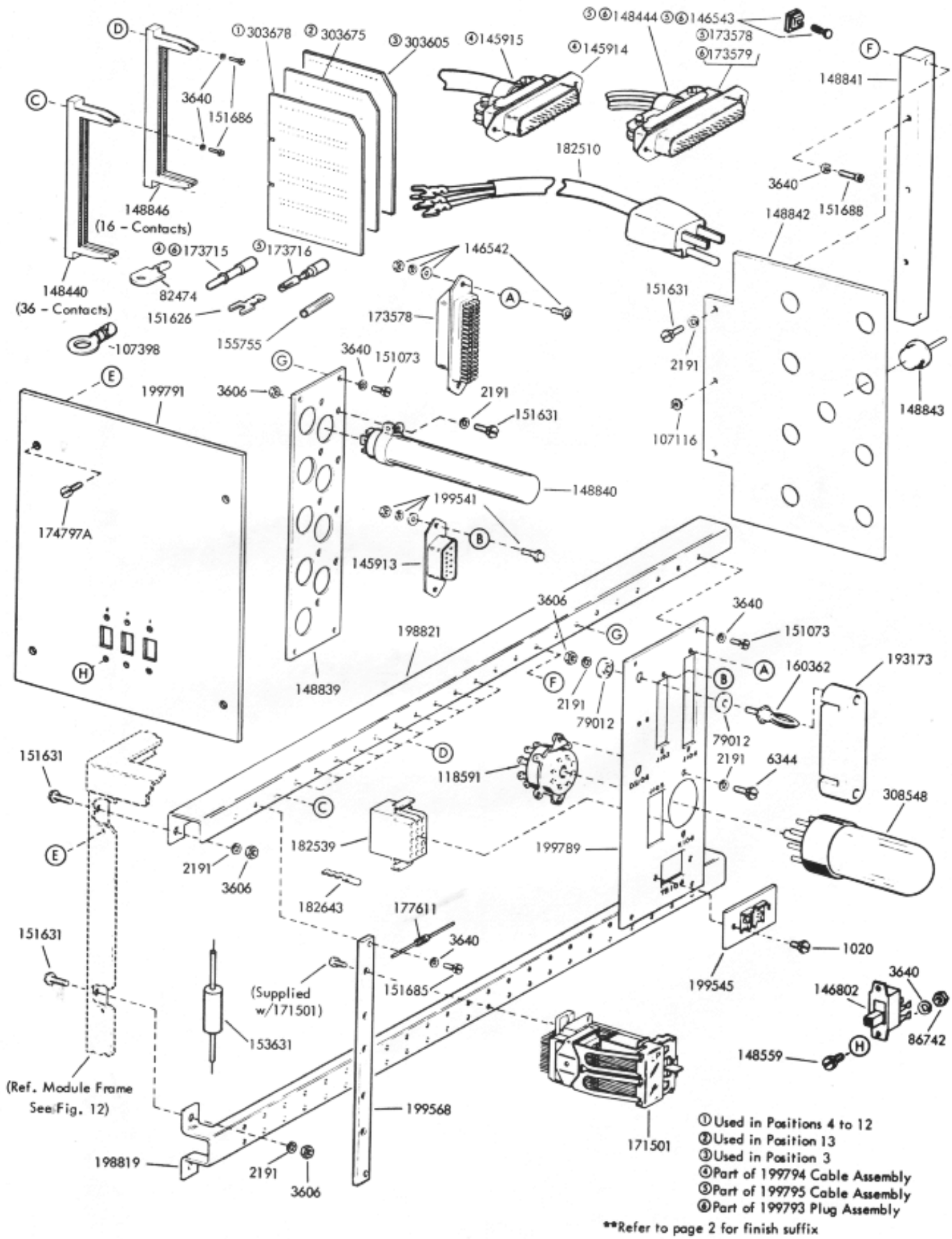
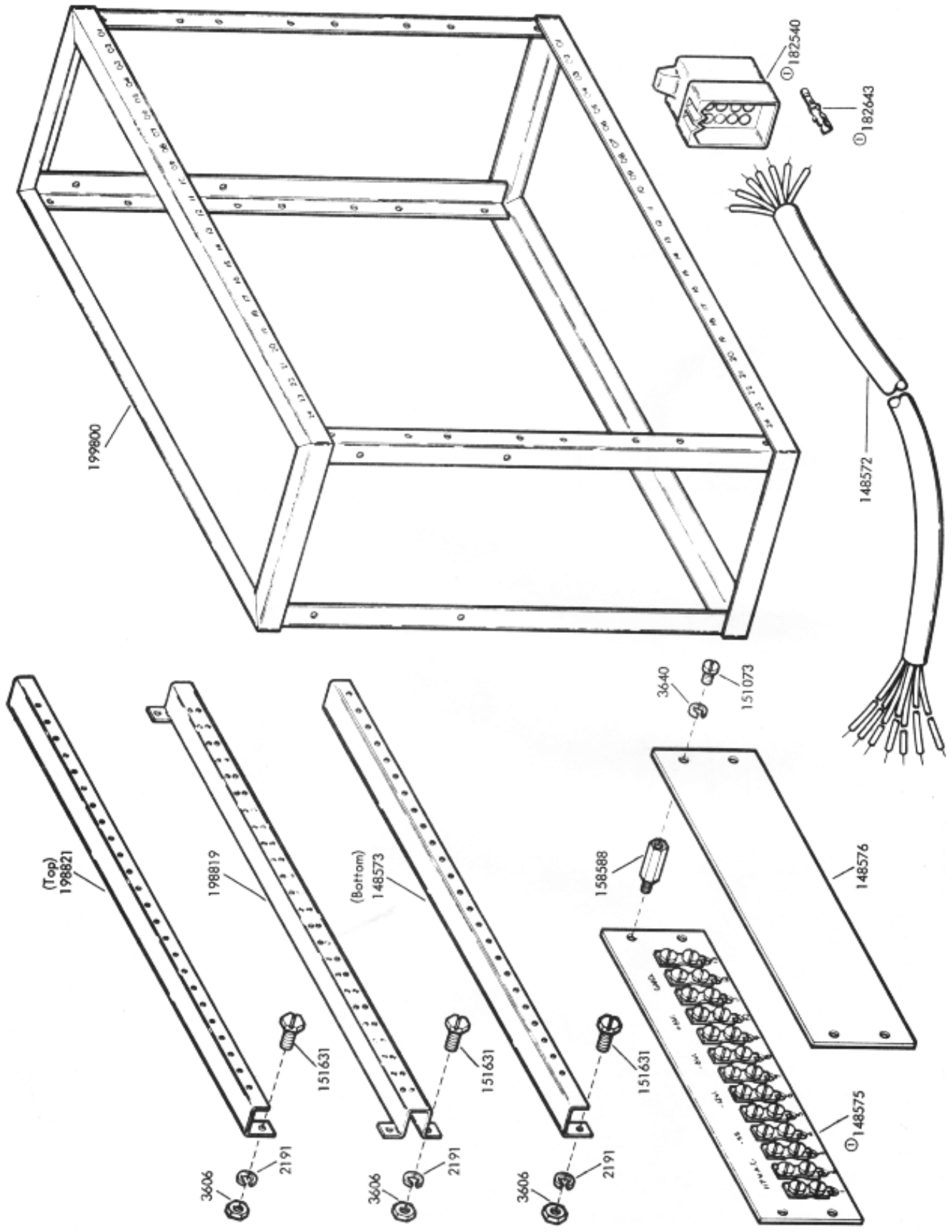


FIGURE 13. 199540** RECEIVER MODULE (SEE FIGURE 12 FOR 148850** POWER SUPPLY)



① Part of 148572 Cable Assembly

FIGURE 14. 148570 FRAME ASSEMBLY

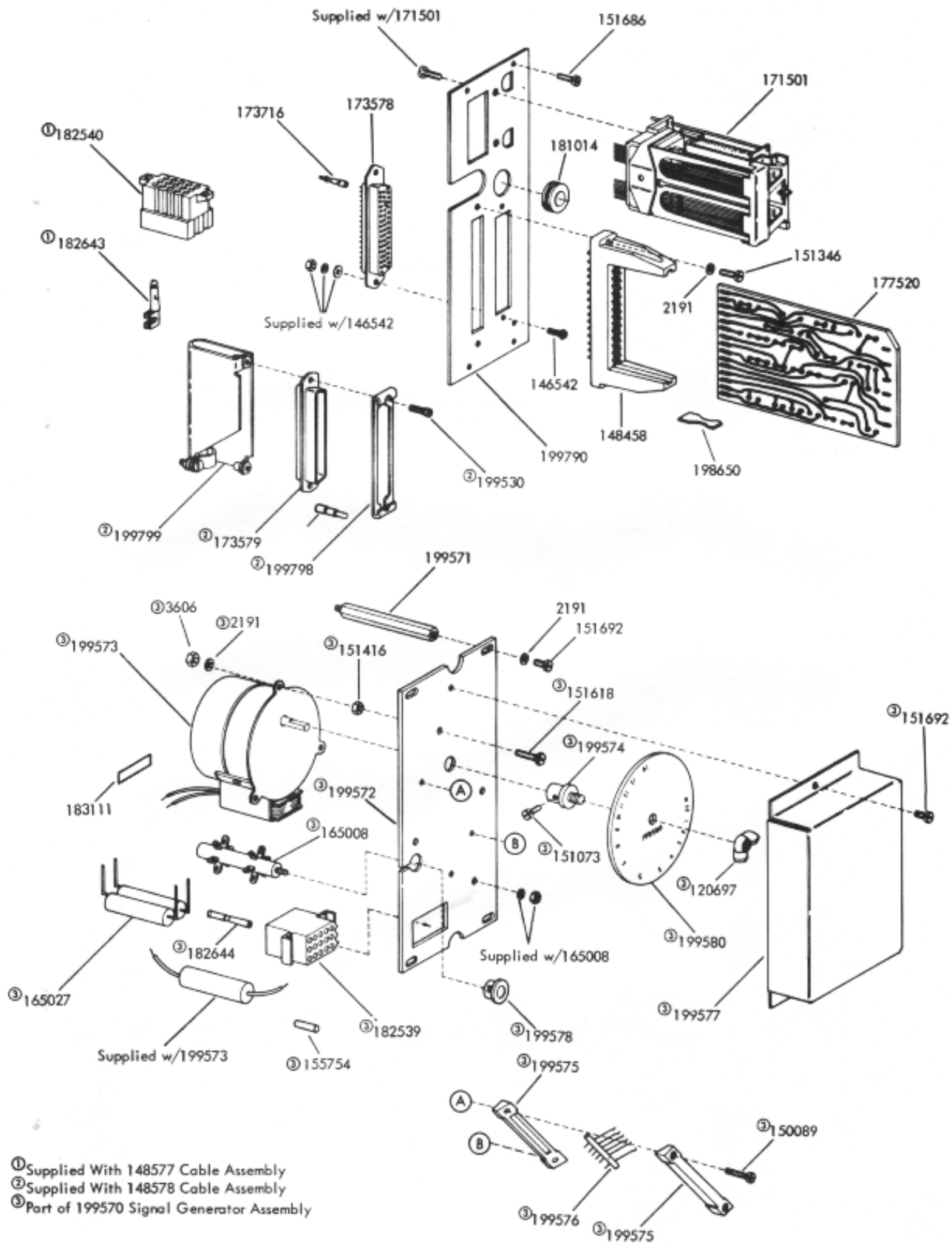
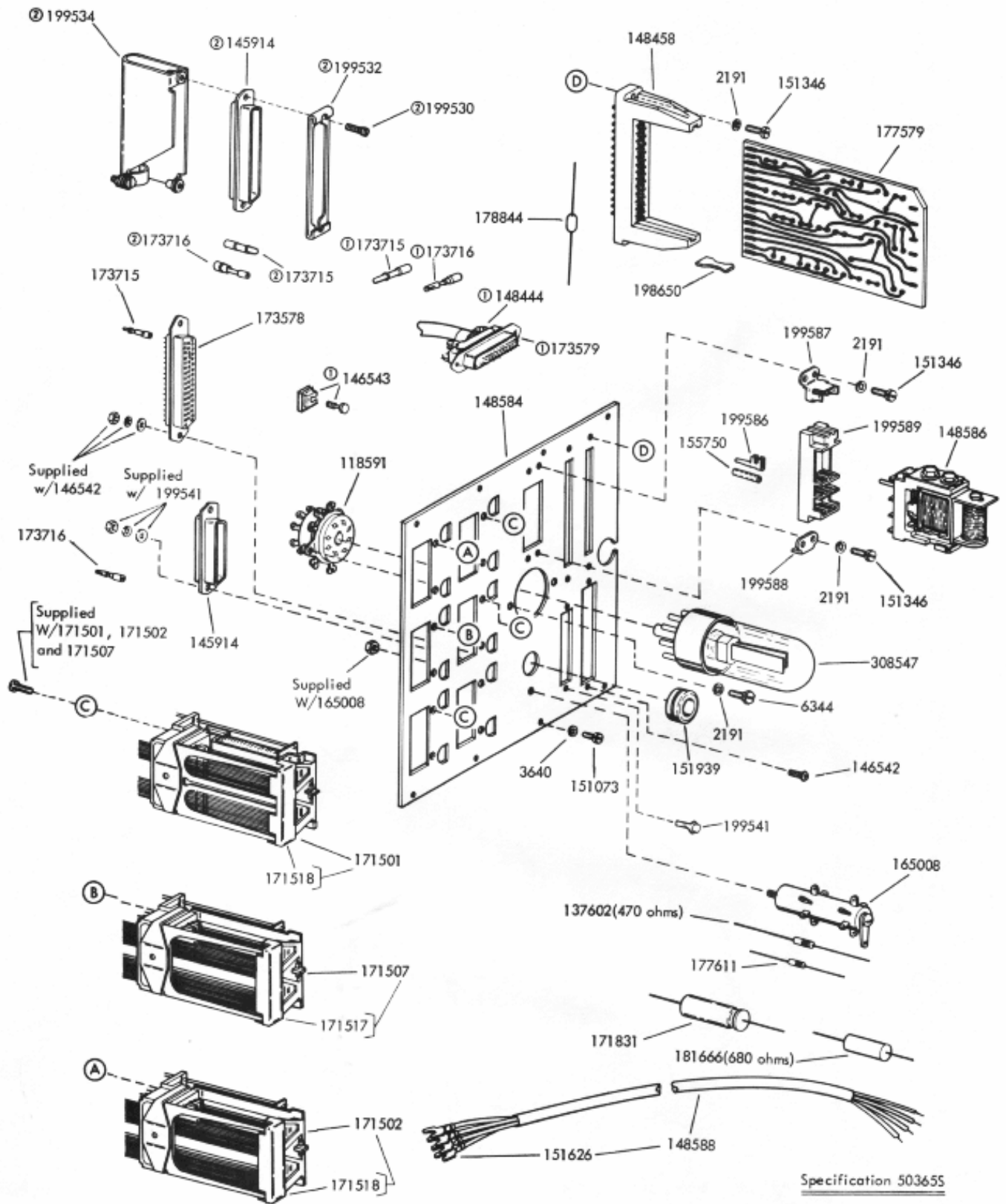


FIGURE 15. 199784 RECEIVING STATION IDENTIFIER ASSEMBLY



Specification 503655

- ① Part of 148587 Cable Assembly
- ② Part of 148590 Cable Assembly

FIGURE 16. 199788 MODIFICATION KIT TO PROVIDE UNATTENDED OPERATION OF A SEND/RECEIVE STATION

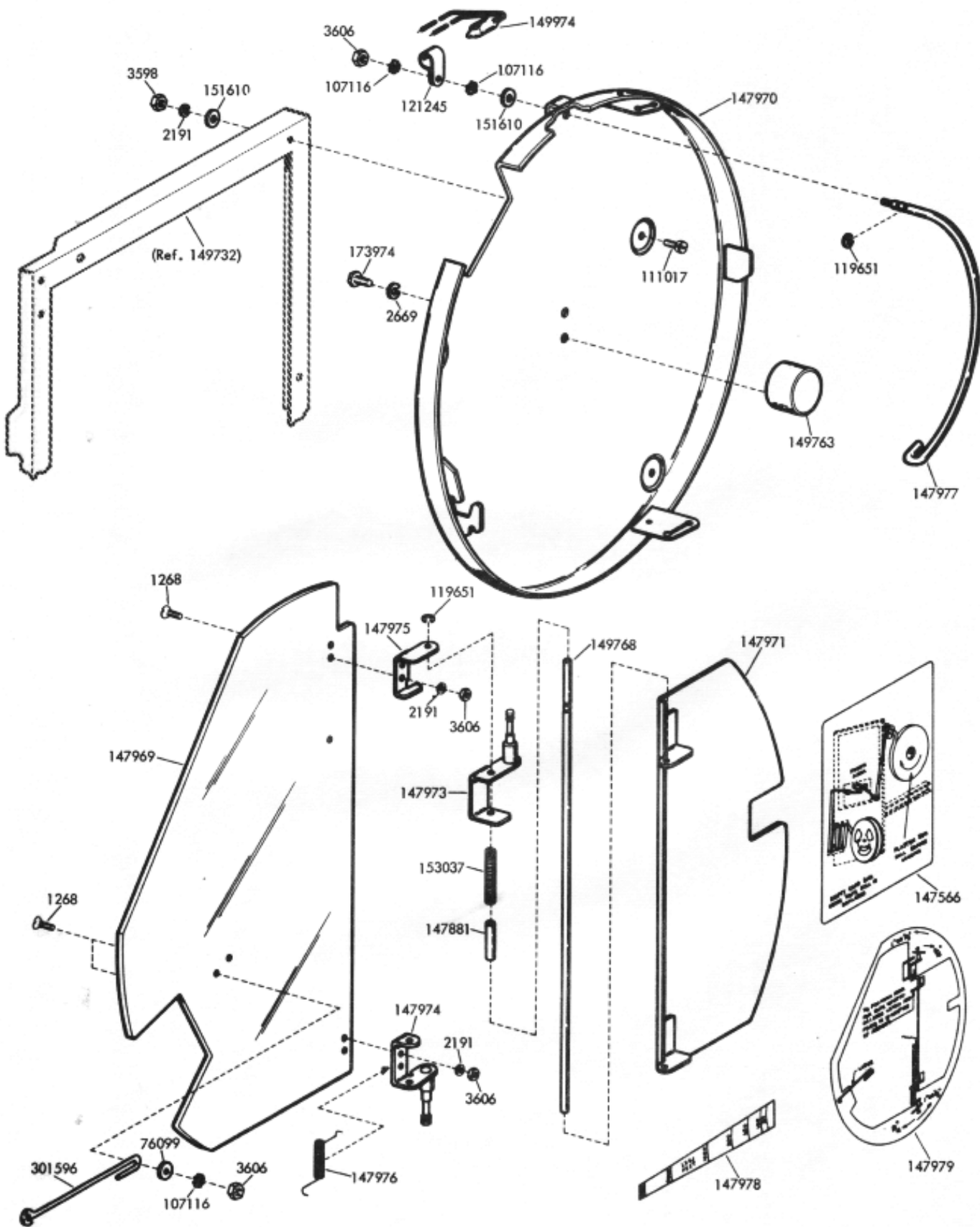
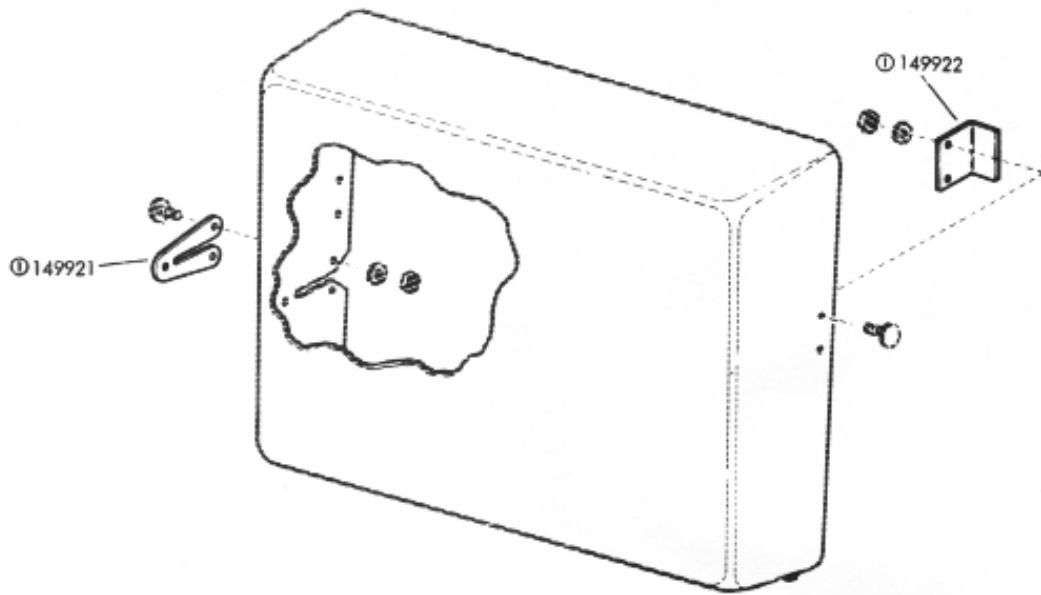
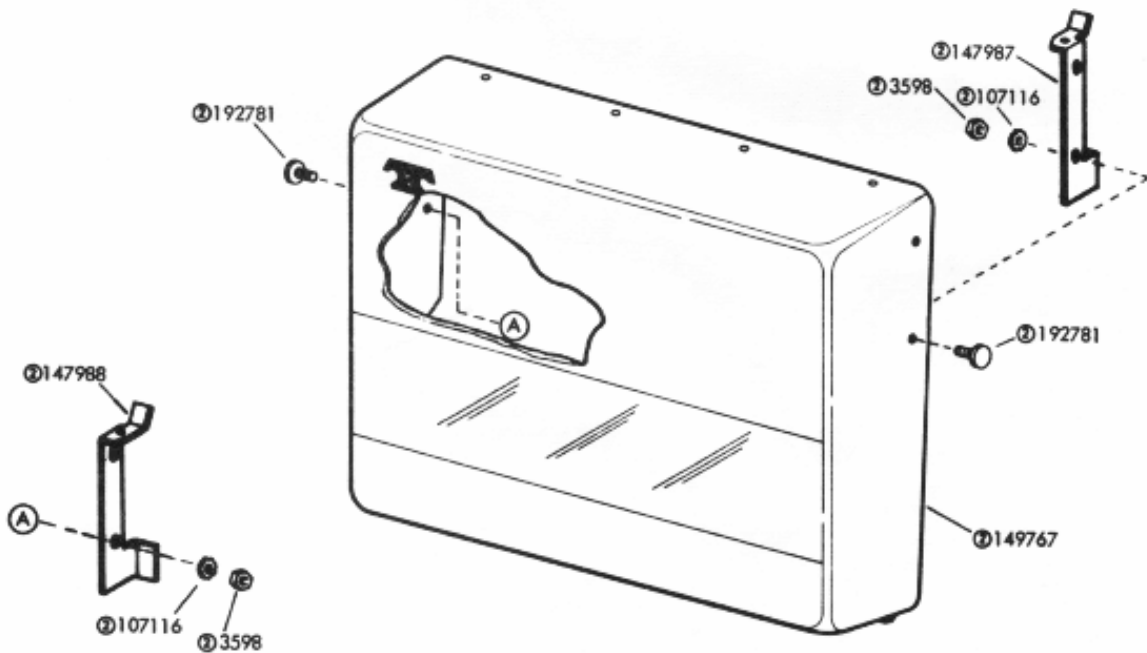


FIGURE 17. TAPE CONTAINER



① Early Design



② 315778 Cover Assembly

FIGURE 18. PUNCH COVER

NUMERICAL INDEX

Part Number	Description and Page Number	Part Number	Description and Page Number	Part Number	Description and Page Number
1020	Screw (6-40 x 1/4 Hex) 14	128913	Screw, Self-Tapping (8-32) 4	148578	Cable Assembly 16
1170	Screw (6-32 x 5/16 Flat) 3	130506	Fuse (5 Amp) Use 129920 13	148584	Plate, Mounting 17
1264	Screw (10-32 x 1/2 Flat) 8	137602	Resistor (470 Ohm) 17	148586	Relay (2100 Ohm) 17
1268	Screw (6-40 x 5/16 Flat) 11, 18	143306	Fuse (1 Amp SL-BL) 13	148587	Cable Assembly 17
1291	Screw (6-32 x 3/4 Flat) 3	145903	Mount, Vibration 7, 9	148588	Cable w/Terminals 17
2191	Washer, Lock 3, 5 to 9, 11, 12, 14 to 18	145904	Hinge, Right 3	148590	Cable Assembly 17
2669	Washer, Lock 8, 10, 11	145905	Hinge, Left 3	148592**	Panel, Rear 3, 5
3438	Washer, Flat 8	145908	Plate, Name 4	148596	Fuse (25 Amp SL-BL) 13
3598	Nut (6-40 Hex) 5, 6, 8, 9, 18, 19	145913	Connector, Receptacle (25 Pt) 14	148839	Bracket, Resistor 14
3606	Nut (6-40 Hex) 6, 11, 12, 14, 15, 16, 18	145914	Connector, Plug (25 Pt) 4, 14, 17	148840	Resistor (5 Ohm) 14
3640	Washer, Lock 7, 8, 9, 14, 15, 17	145915	Clamp, Cable 14	148841	Bar, Mounting 14
3646	Washer, Lock 6, 7, 9	145976	Motor, 115V AC (105 RPM) 7	148842	Plate, Diode 14
5599	Nut (8-32 Hex) 6, 7, 9	145982	Detent, Tape Reel 7	148843	Rectifier 14
6344	Screw (6-32 x 11/32 Hex) 14, 17	145983	Screw (#6 Self-Tapping) 4	148846	Connector, Card (16 Pt) 14
6345	Nut (6-32 Hex) 3	146355	Plunger 7	148850**	Power Supply 1, 13, 14
6963	Post 10	146518	Roller, Spring 6	148853	Capacitor (36,000 mfd) 13
7002	Washer, Flat 6, 7, 9	146531	Plate, Face 4	148854	Capacitor (3,750 mfd) 13
35551	Screw (10-32 x 3/8 Flat) 8	146542	Post Assembly 14, 16, 17	148855	Capacitor (6 mfd) 13
45815	Washer, Lock 9	146543	Screw Assembly 14, 17	148856	Resistor (30 Ohm) 13
70314	Washer, Flat 6	146612	Spring 7	148857	Resistor (2 Ohm) 13
71073	Washer, Flat 9	146633	Bag, Chad 8	148858	Capacitor (10,000 mfd) 13
76099	Washer, Flat 9, 18	146637	Clip, Spring 9	148859	Diode 13
76800	Spring 9	146802	Switch, Slide (SP-ST) 14	148860	Diode 13
79012	Insulator 14	147553	Bracket, Guide 6	148861	Transformer 13
82474	Terminal 7, 9, 14	147554	Post, Tape Guide 6	149726	Key 4
82702	Screw (6-40 x 9/32 Flat) 5	147556	Hub 7	149728**	Plate, Switch 4
82832	Washer, Lock 8	147557	Post, Tape Guide 6	149729	Stud 4
82833	Washer, Flat 10	147558	Rail, Left 10	149730**	Cabinet 3
82861	Spring 6	147559	Spring 7	149731**	Panel, Front 6
86742	Nut (4-40 Hex) 14	147564	Bushing 6	149732	Frame, Inner 7 to 11, 18
92854	Connector, Plug (2 Pt) 5	147566	Decalcomania 11, 18	149734	Lever w/Hub 9
93117	Washer, Lock 9	147753	Spring, Torsion 6	149736	Lever 9
98612	Screw (4-40 Spl) 4	147754	Post, Spring 7	149739	Lever 9
98718	Washer, Flat 7, 9	147881	Sleeve 18	149740**	Door, Front 3
99082	Screw (8-32 x 11/16 Hex) 7	147969	Door, Plastic 18	149745	Roller, Driver 9
103779	Washer, Flat 10	147970	Container, Universal Tape 18	149746	Pulley 9
105150	Hub, Cam 9	147971	Cover, Rear Tape 18	149747	Pulley 9
107116	Washer, Lock 7, 11, 12, 14, 18, 19	147973	Pivot w/Post, Sliding 18	149748	Post 9
107364	Screw (6-32 x 3/8 Fil) 4	147974	Bracket w/Post, Pivot 18	149749	Roller, Tape Feed 9
107398	Terminal 7, 14	147975	Bracket, Hinge 18	149750	Belt "V" 9
110191	Washer, Lock 4, 9	147976	Spring, Torsion 18	149752	Bracket, Motor Mounting 9
110743	Washer, Lock 3	147977	Arm, Low Tape 18	149753	Casing, Fan Wheel 8
111017	Screw (6-40 x 5/16 Fil) 6, 7, 9, 11, 12, 18	147978	Decalcomania 18	149754	Plate w/Bracket 8, 9
112626	Nut (10-32 Hex) 8, 9, 10	147979	Decalcomania 18	149755	Motor (115V AC) 9
116783	Holder, Fuse 12	147980	Button 6	149757	Rail, Right Mounting 10
117176	Fuse (0.5 Amp SL-BL) 13	147986	Pad w/Adhesive 8	149758	Bracket 10
118510	Fuse (.250 Amp) 5	147987	Bracket, Right Strike 19	149759	Post 10
118591	Socket, Tube 14, 17	147988	Bracket, Left Strike 19	149761	Container, Tape 11
119637**	Button, Plug 3	148100	Decalcomania 11	149762	Door, Plastic 11
119648	Ring, Retaining 6	148105	Lid 8	149763	Post 11, 18
119651	Ring, Retaining 6, 11, 18	148108	Clip, Spring 8	149764	Bracket, Pivot 11
119652	Ring, Retaining 6, 7	148365	Handle 6	149765	Arm, Low Tape 11
119653	Ring, Retaining 7, 9	148440	Connector, Card (36 Pt) 14	149767	Cover, Plastic 19
119654	Ring, Retaining 9	148444	Clamp, Cable 14, 17	149768	Pin, Hinge 18
120697	Nut, Wing (10-32) 16	148458	Connector, Circuit Card (15 Pt) 16, 17	149771	Sleeve, Fan 9
121245	Clamp Cable (5/16" ID) 7, 9, 11, 18	148559	Screw (4-40 x 1/4 Fil) 14	149773	Screw, Shoulder (10-32) 10
121247	Clamp, Cable (7/16" ID) 4	148562	Panel Assembly, Electrical Service 1, 12	149774	Channel, Left 8
123769	Fan, Motor 9	148563	Cable Assembly 4	149775	Channel, Right 8
125004	Screw (8-32 x 1/4 Rd) 6	148570	Frame Assembly 1, 15	149776	Rack, Mounting 4
125011	Washer, Flat 9	148572	Cable Assembly 15	149778	Screw, Shoulder (1/4-32) 10
125126	Screw (2-56 x 9/32 Fil) 9	148573	Strip, Mounting 15	149779	Tube, Chad 8
125802	Washer, Flat 3	148574	Cable w/Terminals 12	149781	Bail 6
		148575	Strip, Terminal 15	149782**	Panel, Control 4
		148576	Cover, Terminal Strip 15	149783**	Cover, Panel 4
		148577	Cable Assembly 16	149792	Suppressor, Noise 12
				149901	Rack, Lower 3
				149909	Card, Identification 4

**Refer to page 2 for finish suffix

NUMERICAL INDEX (Continued)

Part Number	Description and Page Number	Part Number	Description and Page Number	Part Number	Description and Page Number
149910	Bracket, Left Hinge 11	156536	Screw (4-40 x 1/8 Fil) 8	192081	Ring 10
149911	Bracket, Right Hinge 11	156768	Screw (8-32 x 9/32 Hex) 7, 9	192082	Bushing 10
149912	Bracket, Left 10	156901	Post, Eccentric 9	192168	Ring 10
149913	Bracket, Right 10	157215	Mount, Vibration 10	192169	Bushing 10
149914	Plate, Vibration Dampener 10	158588	Post 15	192207	Pin, Roll 9
149915	Plate, Support 10	159610	Mount, Vibration 10	192281	Screw (6-40 Spl) 6, 19
149916	Bracket, Motor Mounting 7	160362	Plug, Banana 14	193173	Flasher 14
149917	Latch 6	160664	Pin, Roll 7	193943	Cable Assembly 5
149919	Plate w/Post 6	161552	Screw (10-32 Spl) 10	196930	Grille 5
149920	Arm, Tape Sensing 6	161708	Latch, Magnetic 3, 6	196931	Clip 5
149921	Plate 6	161711	Block, Guide 8	198019	Lamp (6V) 4
149922	Bracket, Strike 19	161716	Block, Support 8	198092	Fan 5
149923	Bracket 19	162725	Depressor, Chad 6	198650	Key, Polarizing 16, 17
149959	Post, Tape Guide 6	162890	Cable 9	198819	Strip, Mounting 14, 15
149960	Cable w/Terminals 9	165008	Turret 16, 17	198821	Strip, Top Mounting 14, 15
149962	Post, Tape Guide 6	165027	Network, Spark Suppression 16	199530	Screw, Shoulder (4-40) 4, 16, 17
149963	Pin 6	170863	Mount, Vibration 10	199532	Lock Assembly, Sliding 4, 17
149964	Bracket 7	171319	Resistor (50 Ohm) 13	199534	Clamp, Cable 4, 17
149965	Cable w/Terminals 7	171501	Relay 14, 16, 17	199540	Module, Receiver 1, 13, 14
149967	Lever w/Shaft 7	171502	Relay 17	199541	Post, Sliding Lock 14, 16, 17
149971	Bail 7	171507	Relay 17	199545	Strip, Terminal (2 Pt) 14
149974	Switch, Mercury 7, 11, 18	171517	Cover, Dust 17	199549	Lamp (48V) 4
150089	Screw (4-40 x 1/2 Fil) 16	171518	Cover, Dust 17	199568	Bracket, Relay Mounting 14
150687	Stud 9	171526	Resistor (1500 Ohm) 13	199570	Modification Kit 16
150966	Insulator (1-4) 7	171614	Diode 13	199571	Post 16
151073	Screw (4-40 x 5/32 Fil) 9, 14 to 17	171615	Diode 13	199572	Plate, Mounting 16
151335	Stud 7, 12	171642	Fuse (1.6 Amp) 13	199573	Motor w/Capacitor, Synchronous (117V AC) 16
151346	Screw (6-40 x 3/8 Fil) 6, 16, 17	171644	Fuse (1.5 Amp) 13	199574	Hub 16
151411	Block, Terminal 12	171664	Bracket 13	199575	Holder, Brush 16
151412	Insulator (1-9) 12	171831	Capacitor (10 mfd) 17	199576	Brush, Contact 16
151415	Block, Terminal 7	172715	Screw, Captive (10-24) 3	199577	Cover 16
151416	Nut (6-40 Hex) 7, 12, 16	172763	Nut, Grip 3	199578	Bushing, Snap 16
151418	Fuse (10 Amp) 12	173116	Pin 6	199580	Disk, Coding 16
151442	Screw (6-40 x 1/2 Hex) 11	173578	Connector, Receptacle (50 Pt) 14, 16, 17	199586	Terminal, Taper Pin 17
151610	Washer, Flat 11, 18	173579	Connector, Plug (50 Pt) 14, 16, 17	199587	Bracket, Top Relay 17
151618	Screw (6-40 x 7/16 Fil) 16	173715	Terminal, Plug Type 4, 14, 17	199588	Bracket, Bottom Relay 17
151626	Terminal 4, 7, 12, 14, 17	173716	Terminal, Receptacle Type 14, 16, 17	199589	Receptacle, Relay 17
151630	Screw (6-40 x 1/4 Hex) 7, 9, 12	173974	Screw (10-32 x 5/16 Hex) 10, 11, 18	199784	Receiving Station Identifier Assembly 1, 16
151631	Screw (6-40 x 5/16 Hex) 6, 7, 12, 14, 15	174001	Connector, Receptacle (3 Pt) 12	199788	Modification Kit 1, 17
151632	Screw (6-40 x 3/8 Hex) 7, 9	174678	Nut, Speed 4	199789	Plate, Mounting 14
151637	Screw (4-40 x 1/4 Fil) 4	174797A	Screw (6-40 x 3/8 Fil) 14	199790	Plate, Mounting 16
151642	Screw (6-40 x 3/4 Fil) 9	176163	Jumper (18" Black) 7	199791	Plate, Mounting 14
151685	Screw (4-40 x 5/16 Fil) 14	177520	Card, Circuit (EC520) 16	199793	Plug Assembly 14
151686	Screw (4-40 x 3/8 Fil) 7, 9, 14, 16	177579	Card, Circuit (EC579) 17	199794	Cable Assembly 14
151687	Screw (4-40 x 7/16 Fil) 3	177611	Rectifier 14, 17	199795	Cable Assembly 14
151688	Screw (4-40 x 5/8 Fil) 14	177664	Diode 13	199798	Lock Assembly, Sliding 16
151692	Screw (6-40 x 3/16 Fil) 16	178844	Varistor 17	199799	Clamp, Cable 16
151722	Screw (6-40 x 3/16 Hex) 11	179495	Screw (10-24 x 1/2 Hex) 8	199800	Frame 15
151723	Screw (10-32 x 3/8 Hex) 10	181014	Grommet, Rubber 16	199804	Bracket, Mounting 12
151827	Strap, Terminal 12	181301	Sleeve, Insulating (15/64 ID x 1" Lg) 9	199901	Reel, Tape 7
151939	Grommet, Rubber 12, 17	181392	Terminal 9	300664	Spring, Tension 9
152441	Washer, Flat 9	181666	Resistor (680 Ohm) 17	301596	Latch, Door 18
153037	Spring 18	182510	Cord, Power 12, 14	302932	Chute, Chad 8
153103	Screw (4-40 Self-Tapping) 4	182524	Button Assembly 4	303605	Card, Circuit (EC605) 14
153631	Network, Spark Suppression 14	182530	Strip Assembly, Lamp 4	303675	Card, Circuit (EC675) 14
155750	Sleeve, Insulating (3/32 ID x 1/2" Lg) 17	182539	Connector, Receptacle Type (15 Pt) 14, 16	303678	Card, Circuit (EC678) 14
155752	Sleeve, Insulating (5/64 ID x 1/2" Lg) 4	182540	Connector, Plug Type (15 Pt) 15, 16	307841	Plate, Identification 4
155754	Sleeve, Insulating (1/16 ID x 1/2" Lg) 16	182643	Terminal, Plug Type 14, 15, 16	308493	Switch, Pushbutton 4
155755	Sleeve, Insulating (11/64 ID x 5/8" Lg) 14	182644	Terminal, Receptacle Type 16	308495	Lens, White 4
156230	Stud, Lifter Pivot 11	183111	Label 16	308547	Relay 17
				308548	Relay 14
				309899	Network, Spark Suppression 7
				311158	Chute, Chad 8
				315778	Cover Assembly 19