

TELETYPE

PRINTING TELEGRAPH SYSTEMS

BULLETIN NO. 1031

ISSUE 3

NOVEMBER, 1940

PARTS

TYPE BAR TAPE PRINTER
(MODEL 14) (BELL SYSTEM)



CORPORATION

SUBSIDIARY OF

Western Electric Company

CHICAGO, U.S.A.

BULLETIN NO. 1031
ISSUE 3
NOVEMBER, 1940

TELETYPE

PRINTING TELEGRAPH SYSTEMS

PARTS

TYPE BAR TAPE PRINTER
(MODEL 14) (BELL SYSTEM)



ALPHABETICAL INDEX

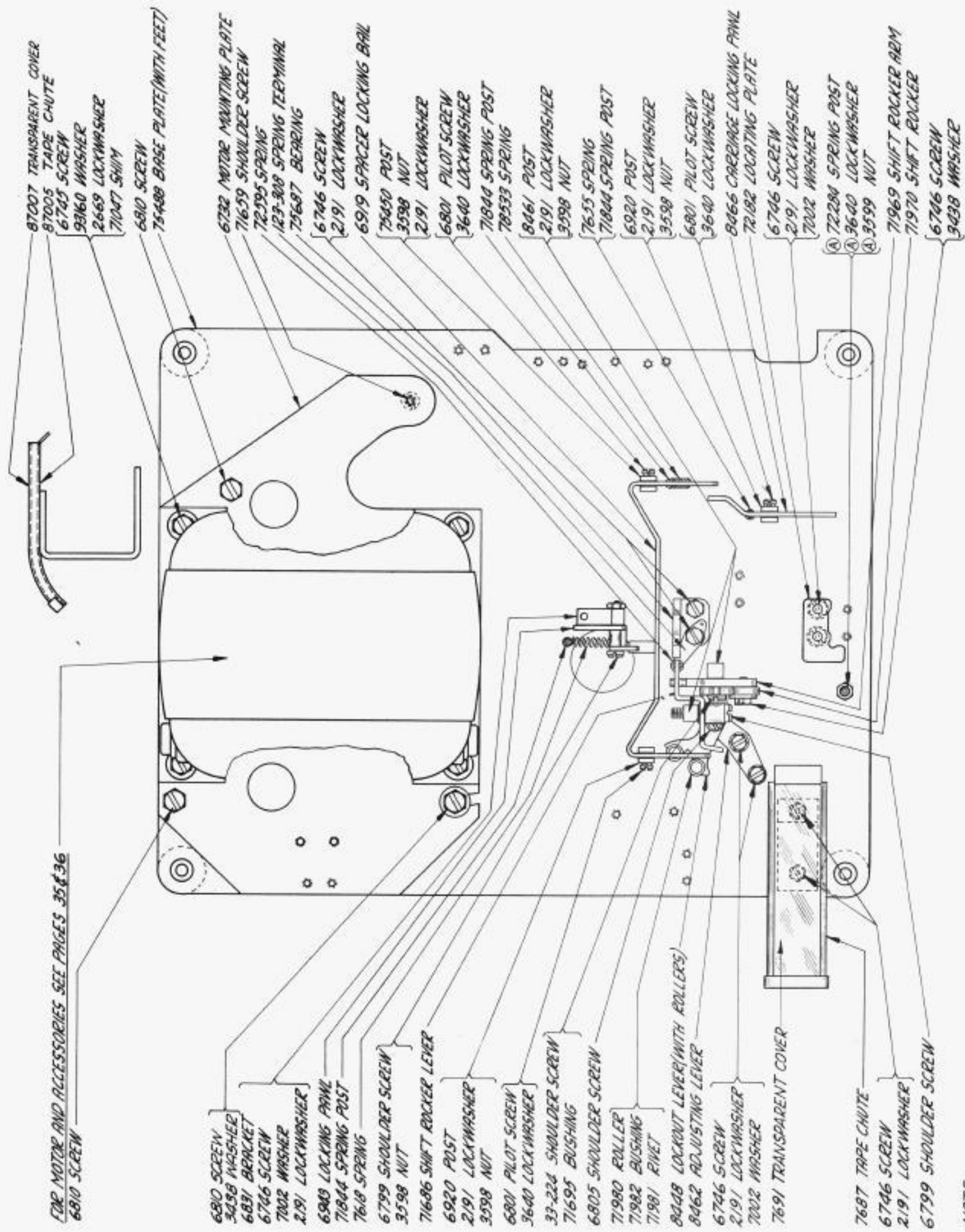
	<u>Page</u>
Armature Bearing Puller (Assem.)	29
Bell and Break Signal Mechanism (Assem.)	13
Bell Bracket and Latch (Assem.)	24
Bell on Blank Mechanism (Assem.)	22
Code Bars (3/8" Tape)	4,40
Code Bars (2" Tape)	42
Condensers	12,20,21,22,26
Condenser Mounting Plate (Assem.)	26
Control Relay (Assem.)	18
Counter Unit (Assem.)	33
Copyholder	31
Covers	14,31,32
End-of-line Indicator - Electrical	23
End-of-line Indicator - Mechanical	33
Filter Units	20,21,22
Fuse	17
Gears.	2,3,5,11,15,23,33,35,36
Governor (Assem.)	28
Governor Parts	27
Governor Brush and Speed Adjusting Bracket	28
Guards	11,17,19,26,30,33
Keys	12,17
Keyboard Base - Top View (Assem.)	8
Keyboard Base - Bottom View (Assem.)	9
Keyboard Shaft (Assem.)	11
Keytops - Spring Cushion	40,41,42,43
Keytops - Pneumatic	40,41,42,43
Main Bracket (Assem.)	3
Main Shaft (Assem.)	7
Main Shaft Bracket (Assem.)	6,7
Monitoring Orientation Range Finder (Assem.)	34
Motor Mounting Plate (Assem.)	1
Motor Units	35,36
Motor Stop Unit	25
Name Plates	29
Notes of Explanation	49
Numerical Index	52
Pads	9,14,31
Pinions	35,36
Positive Carriage Shift Mechanism (Assem.)	22
Power Cords	11

ALPHABETICAL INDEX (Continued)

	<u>Page</u>
Printer Base (Assem.) - 3/8" Tape	1
Printer Base (Assem.) - 2" Tape	15
Pull and Function Bars	40,41,42
Pull and Function Bars Springs	40,41,42
Range Scale (Assem.)	6
Receiving-Only Base (Assem.) - 3/8" Tape	14
Receiving-Only Base (Assem.) - 2" Tape	14
Remote Signal Bell Contact (Assem.)	18
Repeat Space Mechanism (Assem.)	16
Resistance Bracket and Guard	26
Resistance Unit (Assem.)	18,19,26
Resistor - Flat Type	19
Resistor - Round Type	12,21,22,25,26
Ribbon Feed Mechanism (Assem.)	5
Selector Bars	9
Selector Unit (Assem.)	6
Sets of Parts	44
Set of Parts, A.C. Series Motor (Assem.)	44
Set of Parts, 110 V., D.C. Shunt Motor (Assem.)	45
Set of Parts, 130 V., D.C. Shunt Motor (Assem.)	45
Set of Parts, Synchronous Motor	44
Set of Parts, Synchronous Motor	44
Set of Parts, for Converting Model 14 Printer Sets Equipped with Pneumatic Keytops to Disseminate Weather Map Data	48
Set of Parts, for Converting Model 14 Printer Sets Equipped with Spring Cushion Keytops to Disseminate Weather Map Data	48
Set of Parts for .000-.020 Ampere Line Current	47
Set of Parts for .005-.025 Ampere Line Current	46
Set of Parts for Magnet Adjusting Bracket	47
Set of Parts for Mechanical End-of-line Indicator	33
Set of Parts for Monitoring Relay Switching	34
Set of Parts for Pencil Holder (Assem.)	46
Set of Parts for Push Tape Feed Mechanism	34
Set of Parts for Release Pull Bar (Assem.)	44
Set of Parts for Unshift on Space Pull Bar Blocking Mechanism	47
Set of Parts to Apply Signal Distortion Prevention Detent to Keyboards Operating at 240 o.p.m. or Less	46
Set of Parts to Apply Signal Distortion Prevention Detent to Keyboards Operating at 240 o.p.m. or More	47
Set of Parts to Change Old Style 14A and 14B Keyboards to New Style 14A and 14B Keyboards	12
Set of Parts to Prevent Smudging of Type Bars.	44
Set of Parts to Provide for Local Test	46
Set of Parts to Replace the 82360 Condenser (W.E. 142A)	21
Sets of Pneumatic Keytops	43

ALPHABETICAL INDEX (Continued)

	<u>Page</u>
Sets of Spring Cushion Keytops	43
Sets of Type Pallets	39
Slip Connection Strip (Assem.)	11,19,24
Spool Bracket and Contact (Assem.)	24
Toggle Switch	17,34
Toggle Switch Guards	17,30
Tape Chute (3/8 Tape)	1,15
Tape Guide (Assem.) (5/16" & 3/8" Tape).	2
Tape Guide (Assem.) (2" Tape).	15
Tape Illuminator (Assem.)	25
Tape Containers and Retainers (Assem.)	15,30
Tools	37
Tools (Bell System)	38
Transmitting Contacts Filter Unit (Assem.)	22
Transmitter Unit (Assem.)	10
Type Bars	40,41,42
Type Bar Basket (Assem.)	5
Type Bar Pallets - 3/8" Tape	39,40,41
Type Bar Pallets - 2" Tape, 7 Character Per Inch	42
Type Bar Pallets - 2" Tape, 8 Characters Per Inch	42
Type Bars (With Pallets) - 3/8" Tape	40,41
Type Bars (With Pallets) - 2" Tape, 7 Characters Per Inch	42
Type Bars (With Pallets) - 2" Tape, 8 Characters Per Inch	42
Type Bar Segment	5
Writing Shelf (Assem.) (Bell System 14F Copyholder)	29



NOTE:
SEE PAGE 4.9 FOR EXPLANATION.



78675 TERMINAL BLOCK AND MAGNET CORD

- 6746 SCREW
- 2191 LOCKWASHER
- 6811 SCREW
- 2191 LOCKWASHER
- 7002 WASHER

8884 TERMINAL BLOCK

- 8483 GUARD
- 8484 POST
- 6811 SCREW
- 2191 LOCKWASHER
- 7002 WASHER
- SEE DRAWING ABOVE

- 7091 INSULATOR
- 6746 SCREW
- 2191 LOCKWASHER

- 6746 SCREW
- 2191 LOCKWASHER
- 6944 RIBBON GUIDE
- 6746 SCREW
- 2191 LOCKWASHER
- 7002 WASHER

- ⓐ 72019 TOE
- ⓑ 6746 SCREW
- ⓑ 2191 LOCKWASHER
- ⓑ 7001 WASHER
- ⓑ 7002 WASHER
- ⓑ 72018 SPRING BRACKET

- 3598 NUT
- 2191 LOCKWASHER
- 6932 FEED ROLL
- 6811 SCREW
- 2191 LOCKWASHER

- 6933 FEED ROLL JOURNAL
- 2191 LOCKWASHER
- 7002 WASHER
- 3598 NUT
- 6930 TAPE GUIDE-LEFT (3/8 TAPE)
- 83940 TAPE GUIDE-LEFT (5/16 TAPE)

- 6746 SCREW
- 2191 LOCKWASHER
- 7002 WASHER
- 7656 SPRING

- ⓑ 8452 SPRING BRACKET
- ⓐ 80365 SPRING

- 6799 SHOULDER SCREW
- 2191 LOCKWASHER
- 3598 NUT

- 7336 GEAR-19T
- 89896 OILER
- 89897 NUT
- 73611 OIL WICK

70816 GEAR-35T

- 6746 SCREW
- 2191 LOCKWASHER

7188 BEARING

NOTE:-

ⓐ ⓑ SEE PAGE 49 FOR EXPLANATION.

- 75687 BEARING
- 6927 PLATEN SHAFT (WITH GEAR)
- 6907 SPACER SHAFT (WITH GEARS)

- 6846 BEARING
- 6746 SCREW
- 2191 LOCKWASHER
- 6960 PLATEN ROLL

- 6862 FEED ROLL GEAR
- 6811 SCREW
- 2191 LOCKWASHER
- 6800 SHOULDER SCREW
- 2191 LOCKWASHER
- 3598 NUT

- 6746 SCREW
- 2191 LOCKWASHER
- 7002 WASHER
- 8450 LOCKING TOE

- 6929 CARRIAGE FRAME
- 6845 TAPE GUIDE-RIGHT (3/8 TAPE)
- 83952 TAPE GUIDE-RIGHT (5/16 TAPE)
- 75356 TRANSPARENT COVER (USED WITH 6845 GUIDE)
- 6928 FRONT BEARING

- 8539 SCREW
- 3598 NUT

- 6746 SCREW
- 2191 LOCKWASHER

- 6935 THUMB WHEEL
- 6936 THUMB WHEEL LOCKNUT

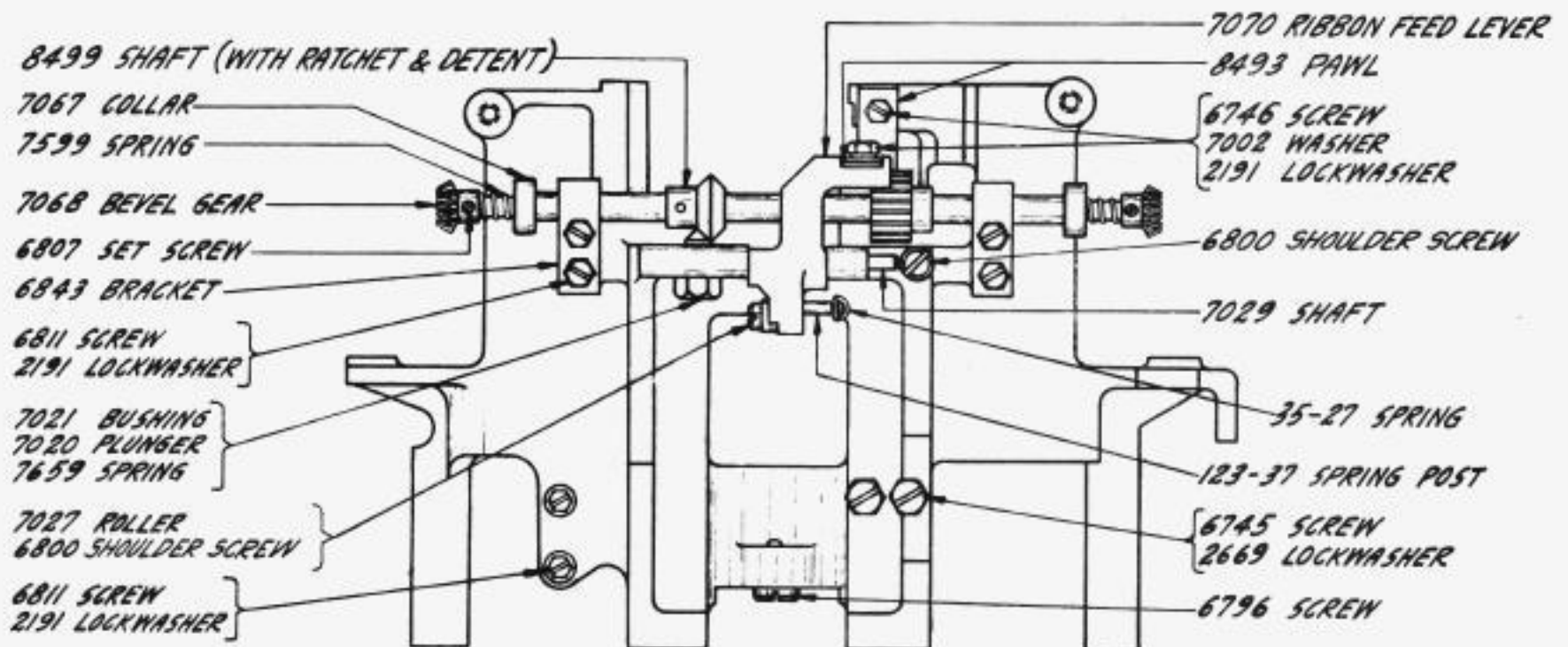
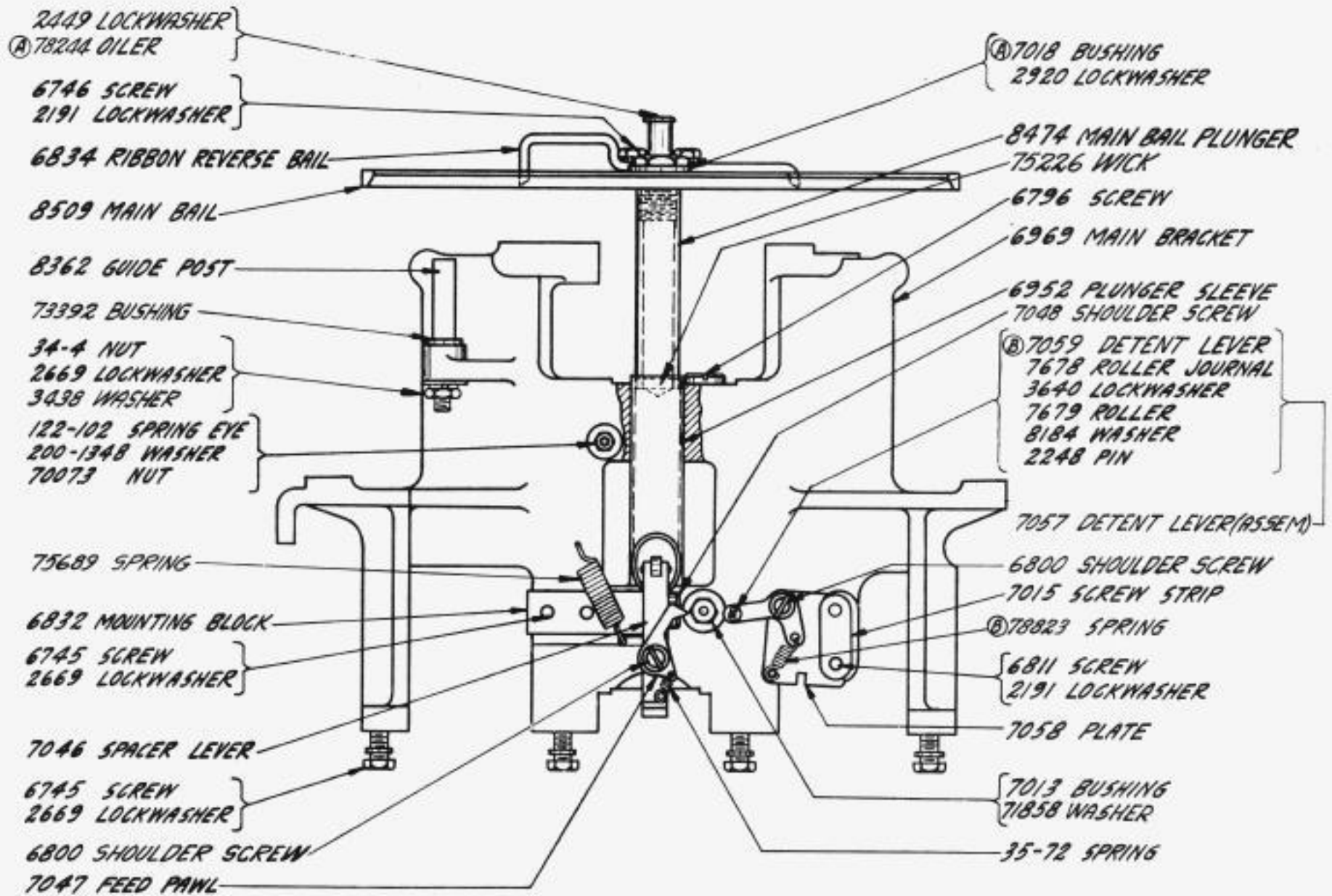
- 6931 FEED ROLL LEVER (WITH POST)
- 6941 FEED ROLL LEVER
- 77812 POST

- 89896 OILER
- 89897 NUT
- 73611 OIL WICK

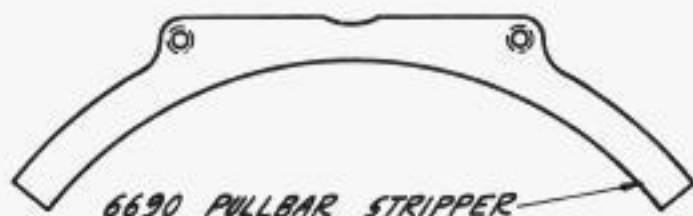
7290 SHAFT

- 6746 SCREW
- 2191 LOCKWASHER

- 6745 SCREW
- 2669 LOCKWASHER



NOTE -
 (A)(B) SEE PAGE 49 FOR EXPLANATION.



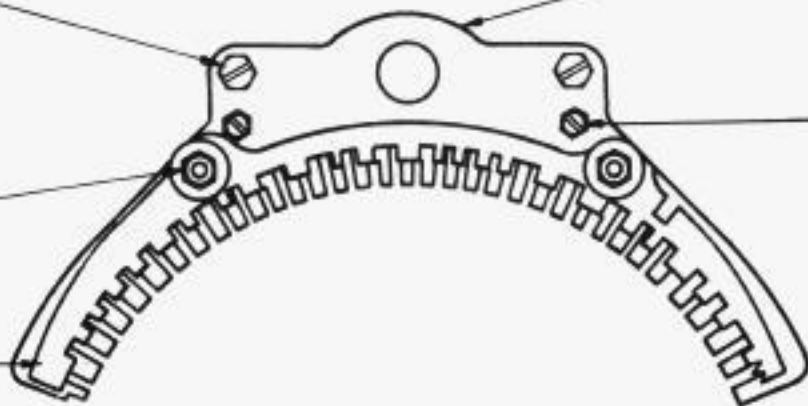
6745 SCREW
2669 LOCKWASHER
71047 SHIM
3438 WASHER

75317 PULLBAR GUIDE

7484 CODE BAR POST
6987 SPACER
6859 SPACER COLLAR
3598 NUT
2191 LOCKWASHER
3606 NUT

6746 SCREW
7002 WASHER
2191 LOCKWASHER
7001 WASHER

CODEBARS
(SEE PAGES 40 & 42)



FOR PULL BARS & SPRINGS
SEE PAGES 40, 41 & 42

3610 SPRING
70871 SPRING BRACKET

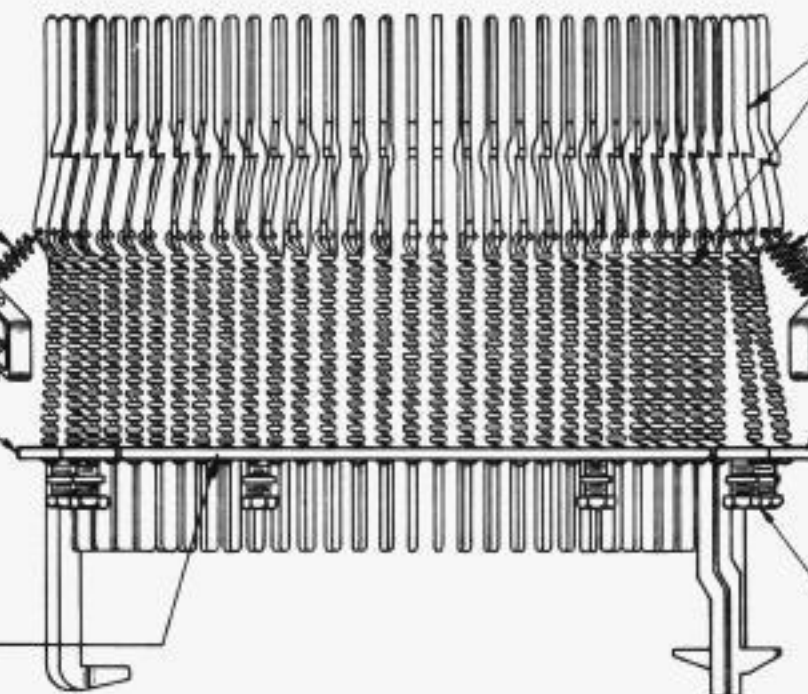
7965 SPRING
70871 SPRING BRACKET

Ⓐ 6826 SPRING BRACKET

Ⓐ 6826 SPRING BRACKET

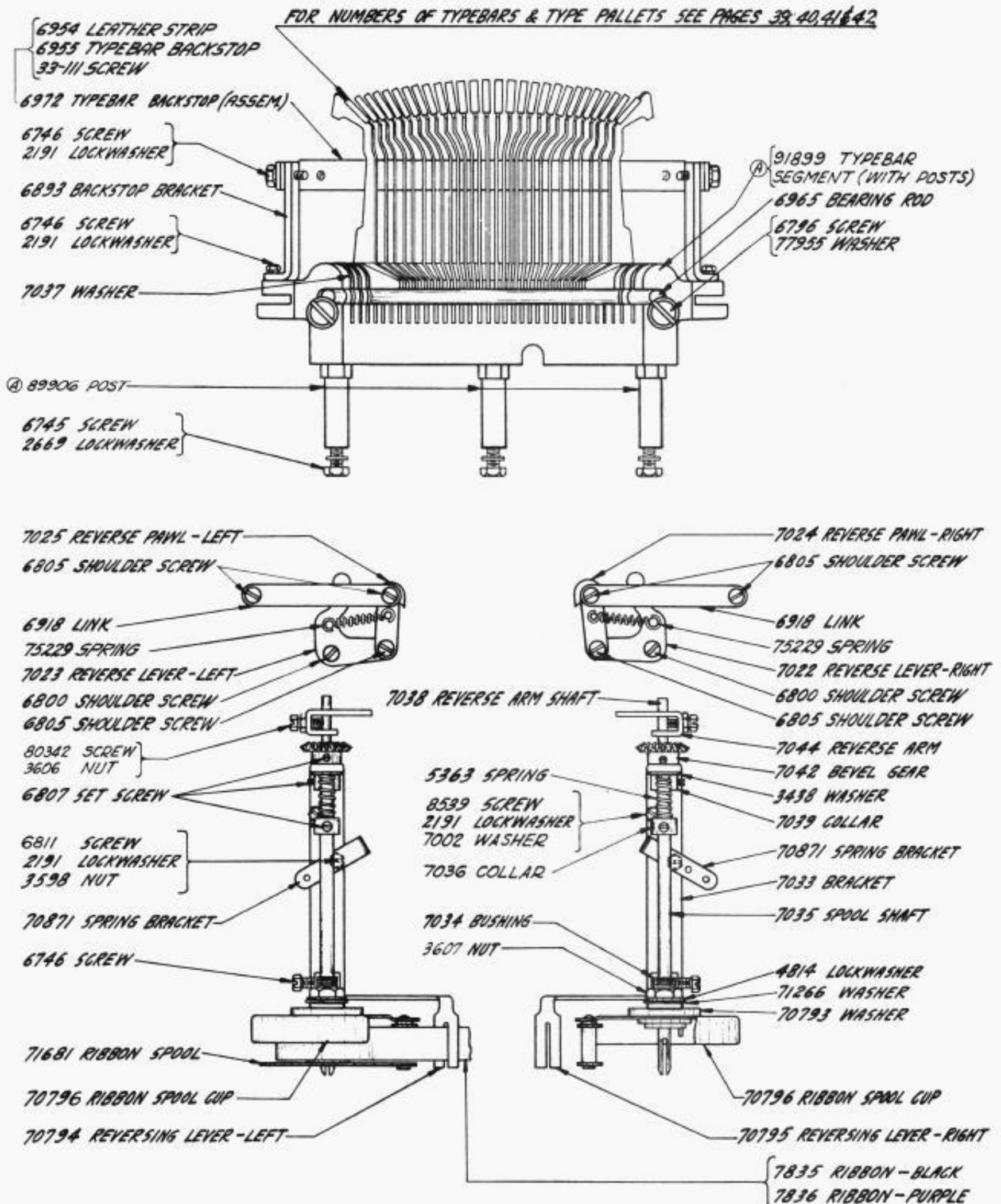
6825 SPRING BRACKET

6746 SCREW
2191 LOCKWASHER
7002 WASHER

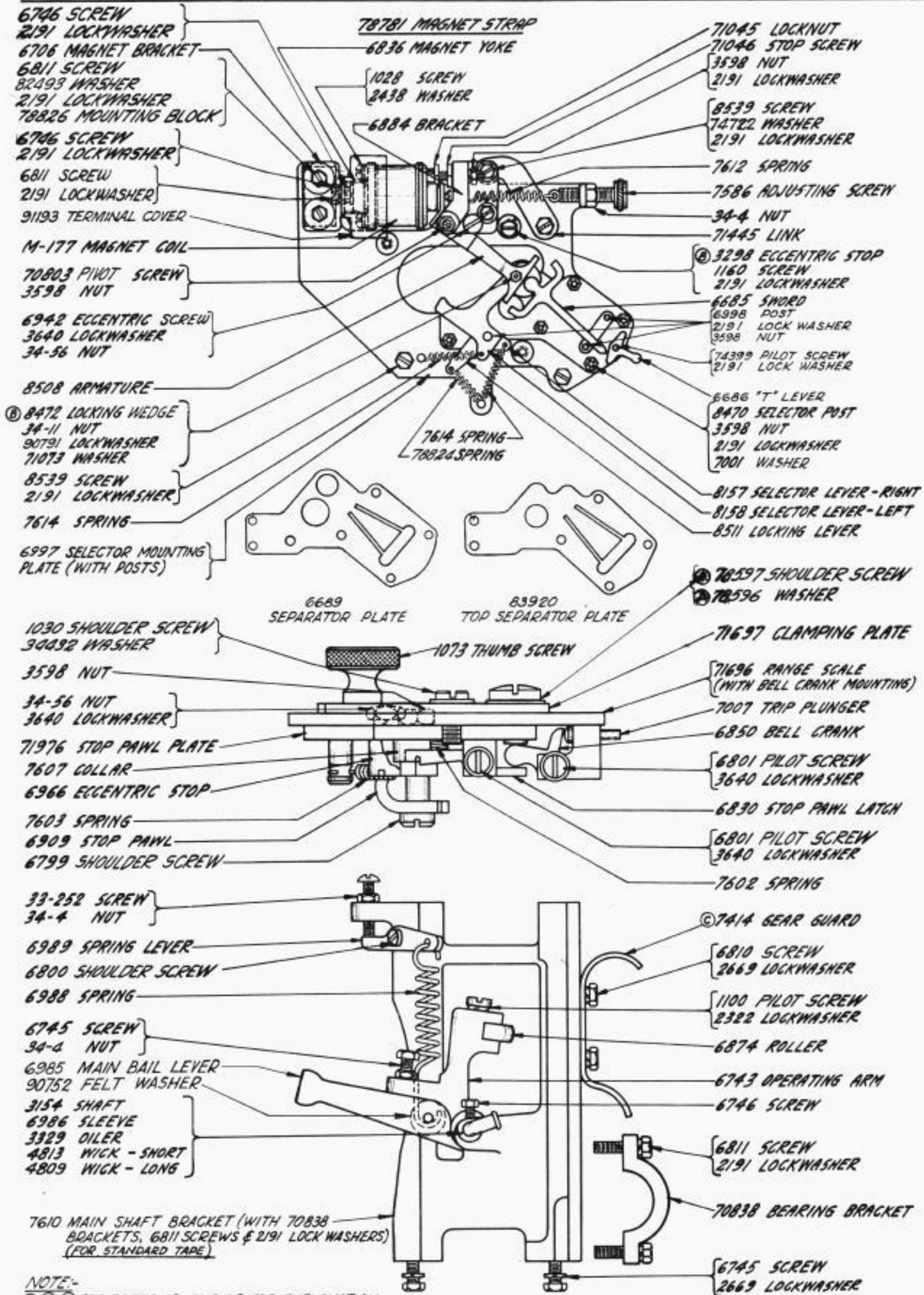


NOTE:-

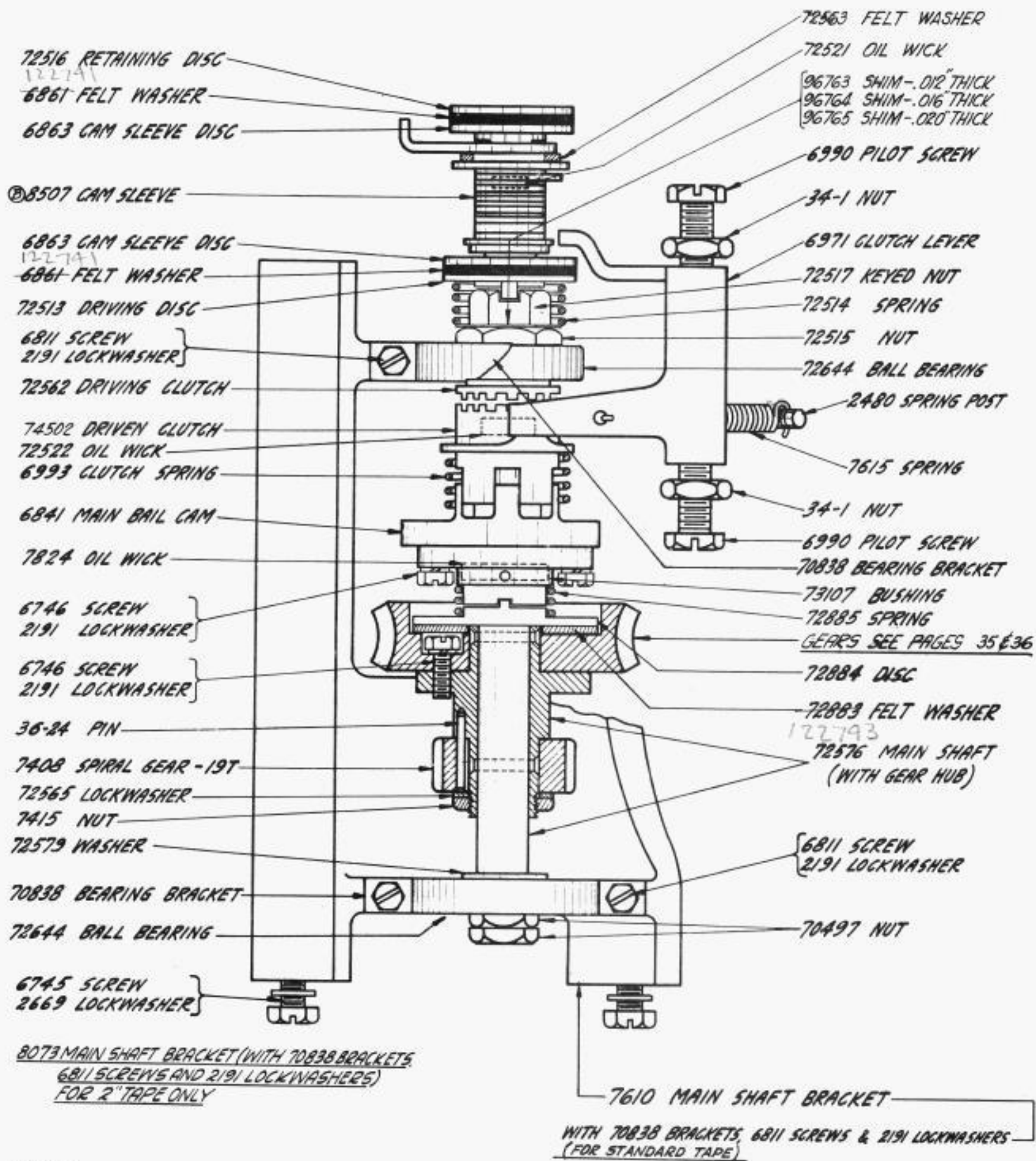
Ⓐ SEE PAGE 49 FOR EXPLANATION.



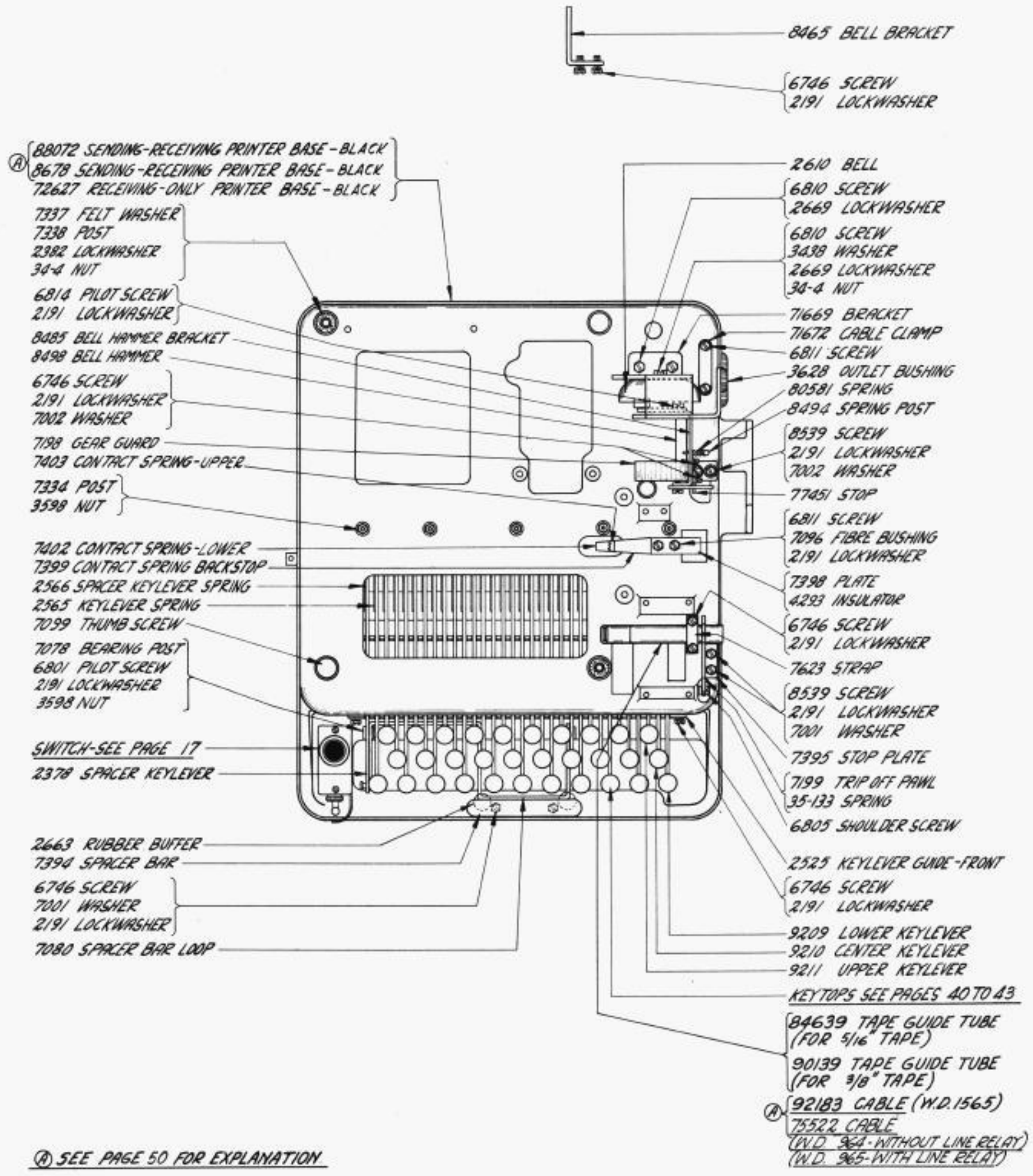
NOTE -
(A) SEE PAGE 49 FOR EXPLANATION

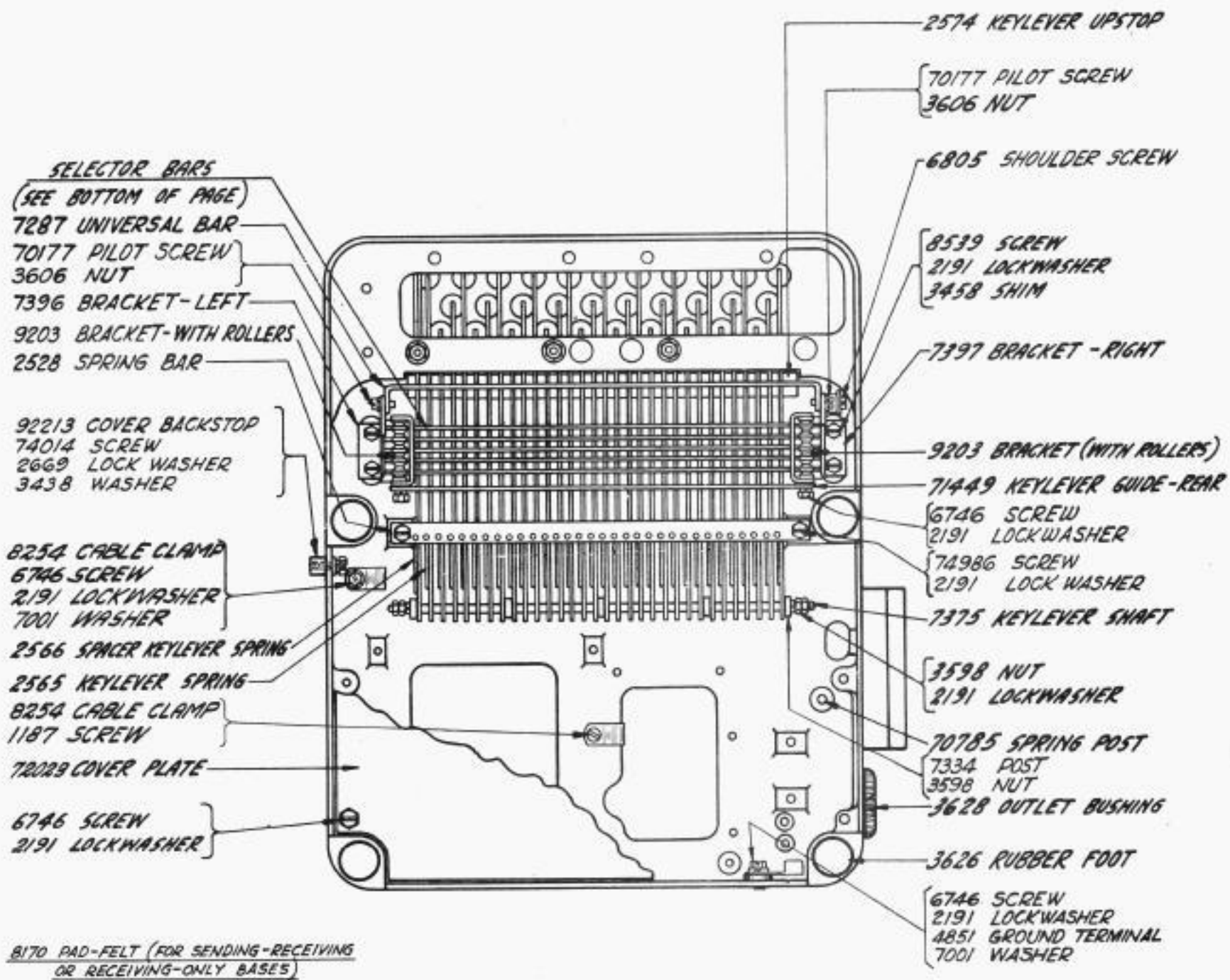


NOTE:-
A B C SEE PAGES 49 AND 50 FOR EXPLANATION

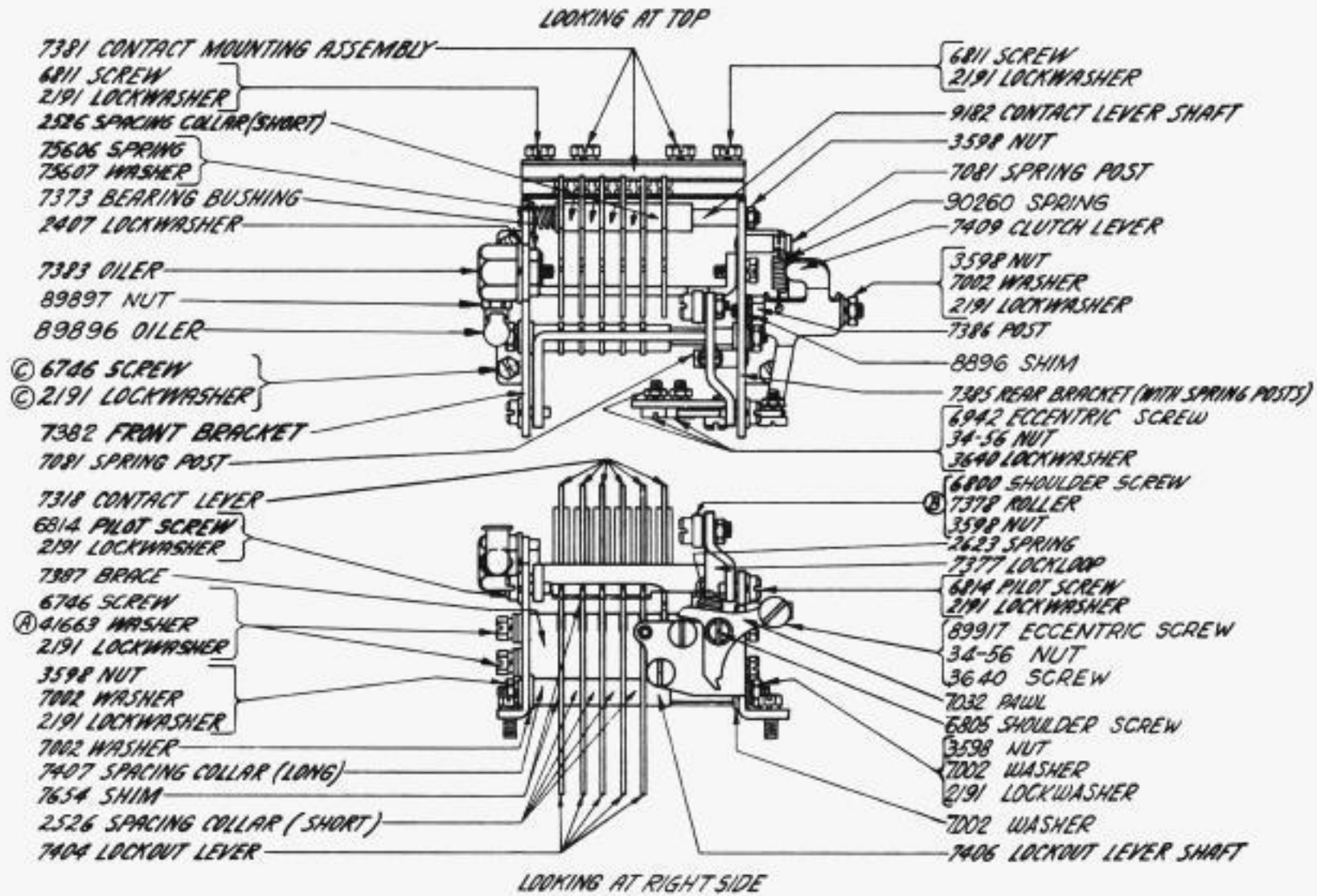


NOTE:-
SEE PAGES 49 AND 50 FOR EXPLANATION

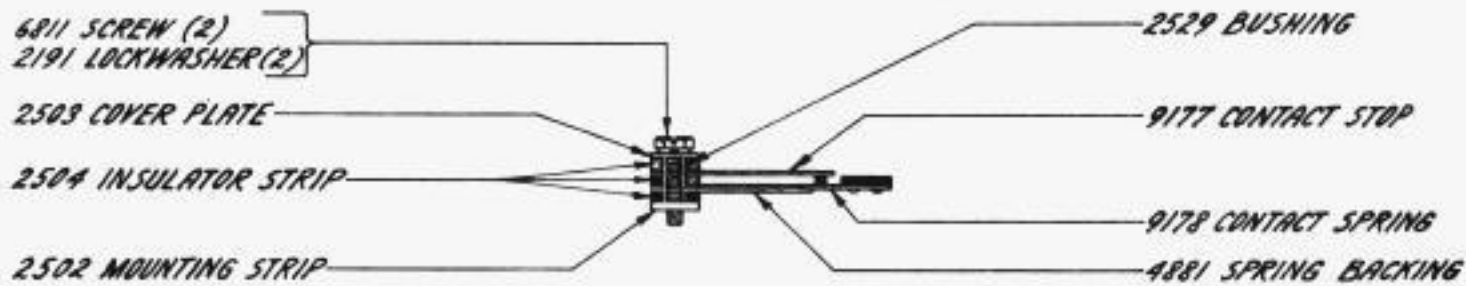




- 2431 SELECTOR BAR * 1 - REAR
- 2432 SELECTOR BAR * 2
- 2433 SELECTOR BAR * 3
- 2434 SELECTOR BAR * 4
- 2435 SELECTOR BAR * 5 - FRONT



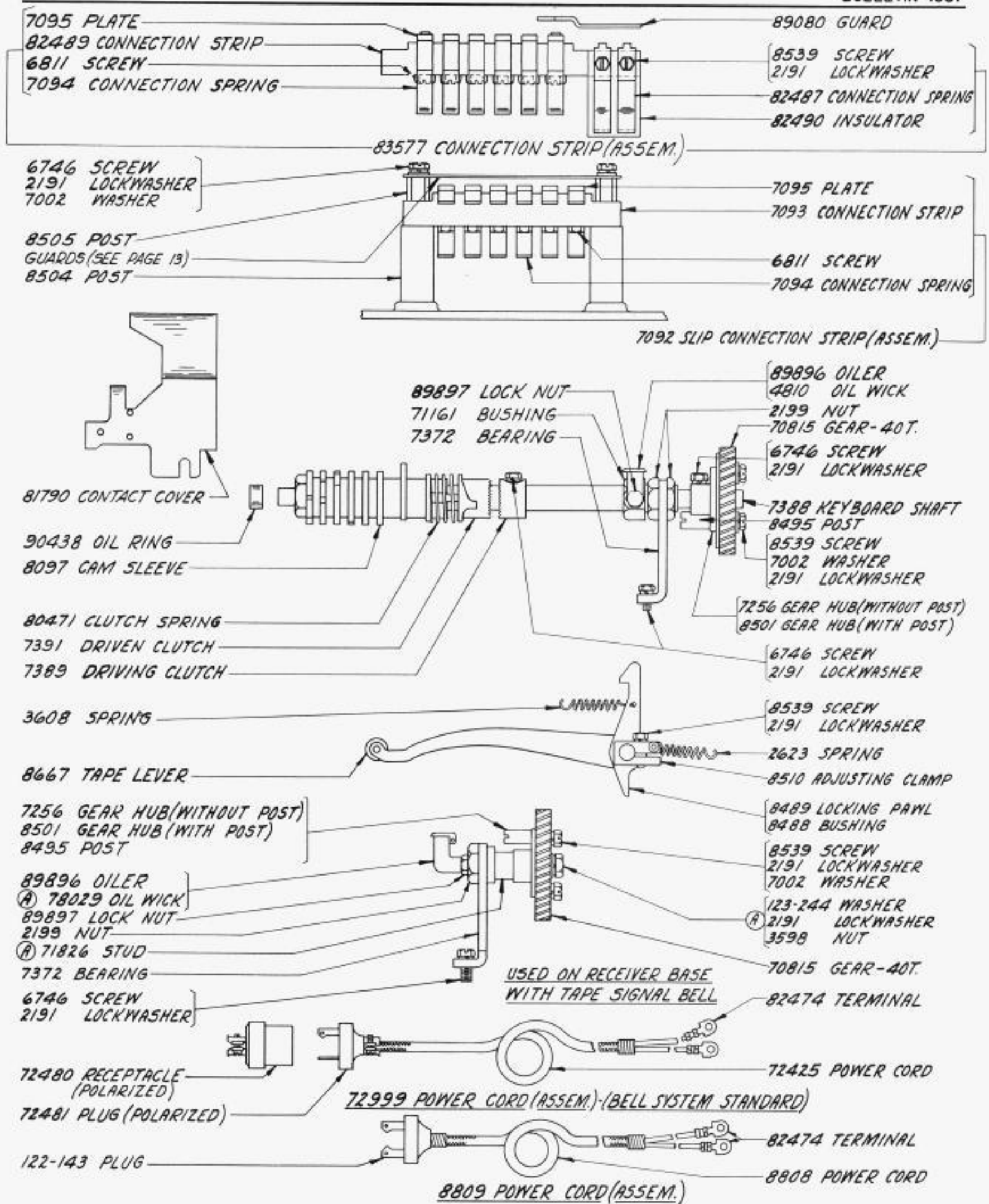
7380 TRANSMITTER ASSEMBLY
(WITH 7381 CONTACT MOUNTING ASSEMBLY)
(EXCLUDES PARTS MARKED ⓐ)



7381 CONTACT MOUNTING ASSEMBLY

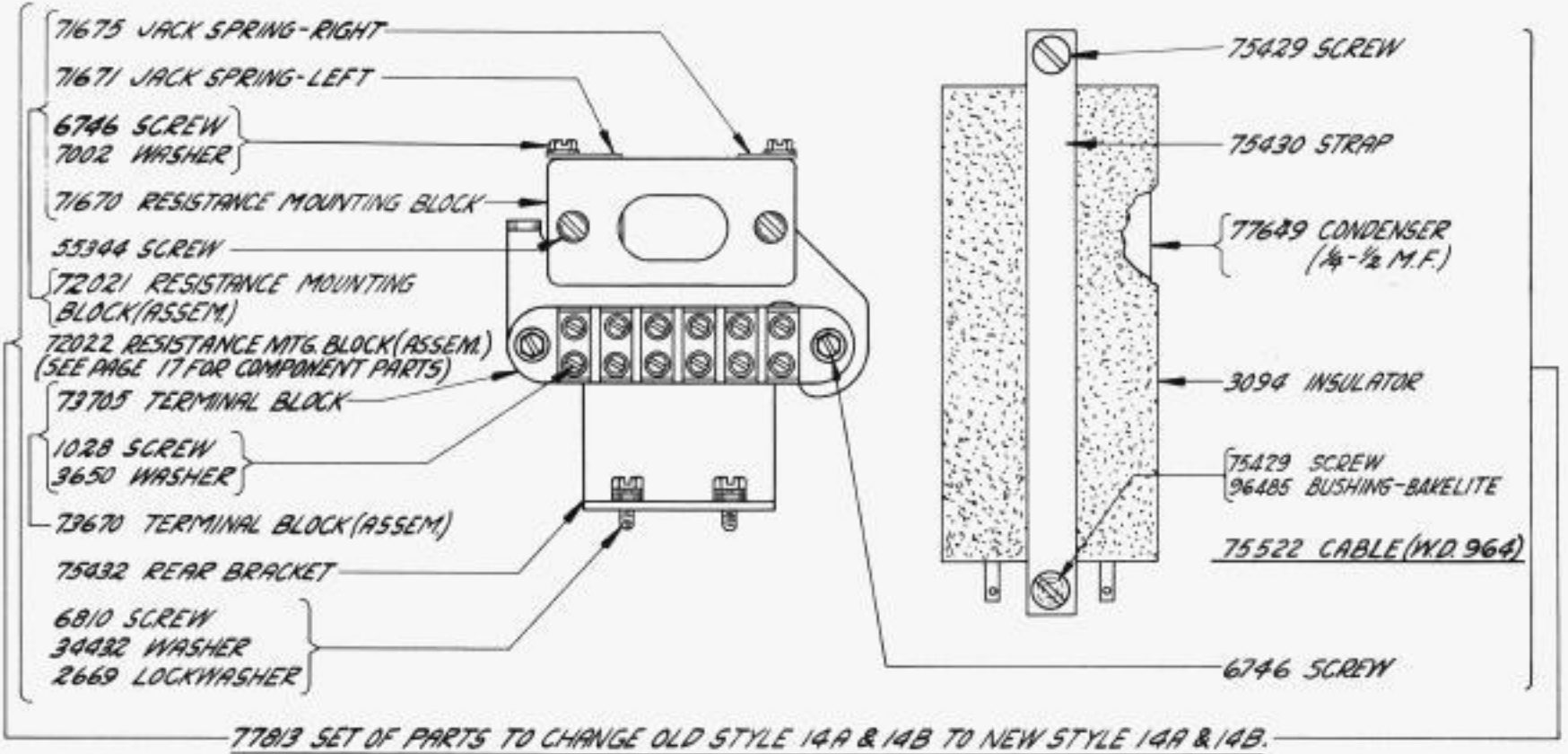
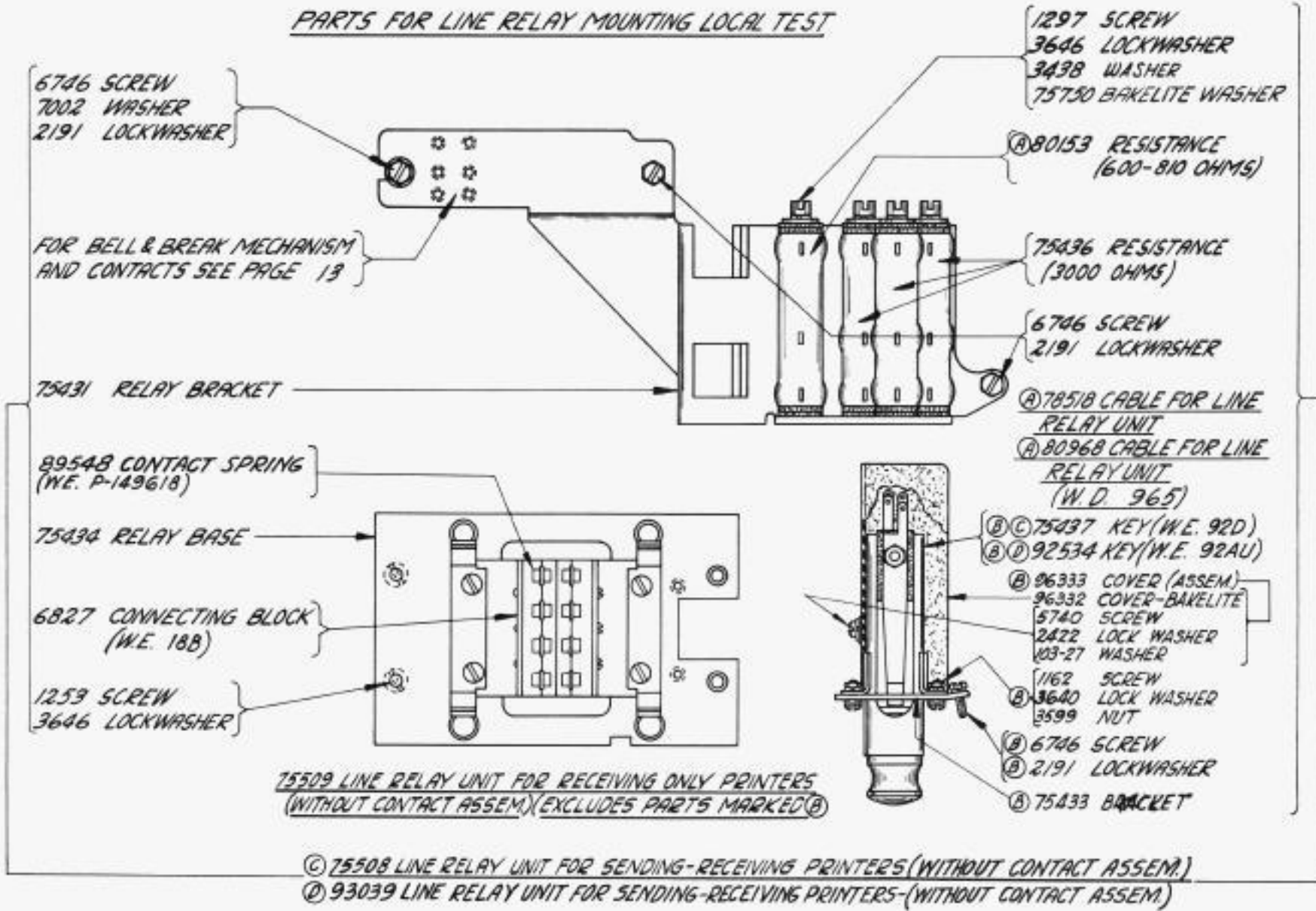
NOTE ÷

ⓐ SEE PAGE 50 FOR EXPLANATION.

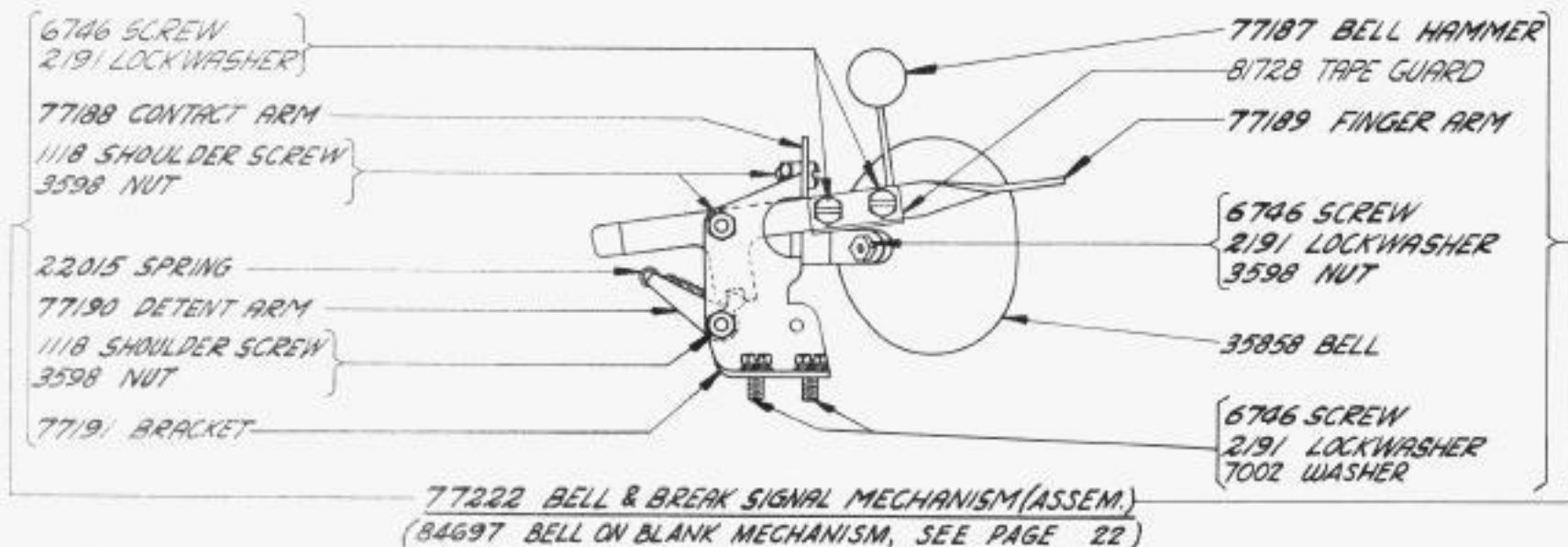
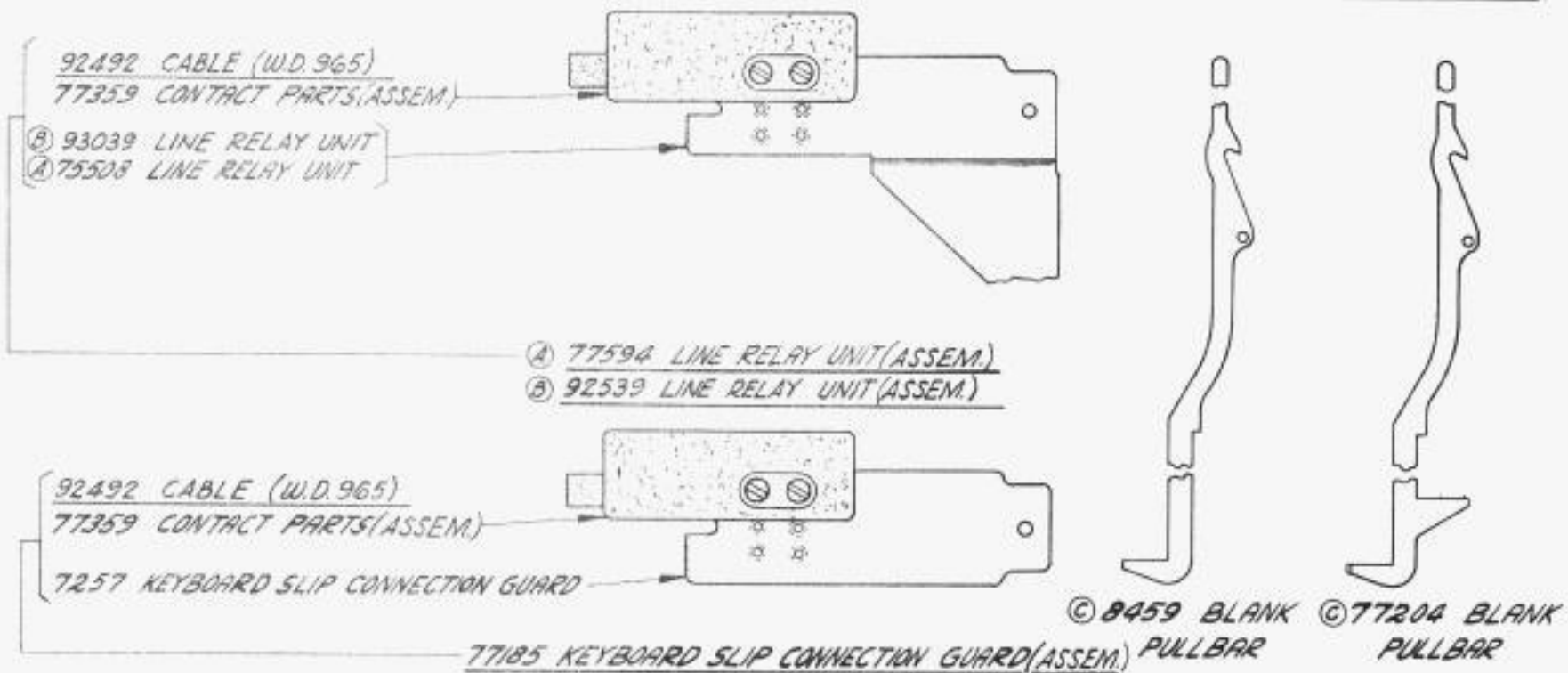
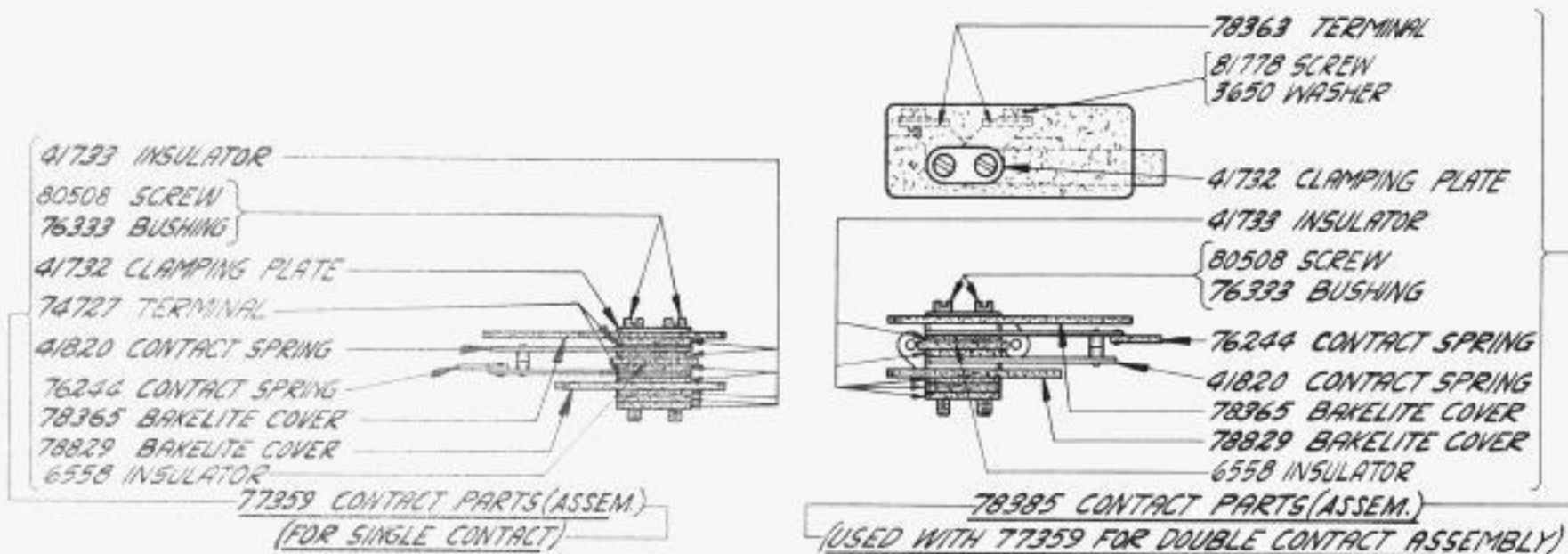


Ⓐ USED ON RECEIVING ONLY PRINTERS

PARTS FOR LINE RELAY MOUNTING LOCAL TEST



NOTE:-
ⓐ ⓑ SEE PAGE 50 FOR EXPLANATION.



NOTE:-
© SEE PAGE 50 FOR EXPLANATION.

7337 FELT WASHER
7338 POST
2382 LOCKWASHER
34-4 NUT

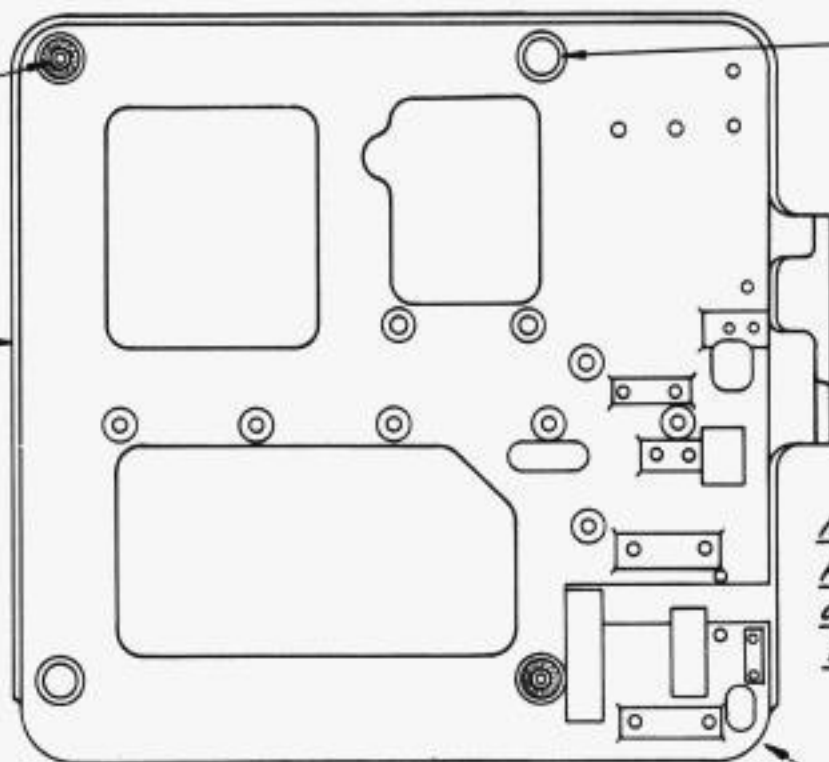
72023 COVER PLATE
6746 SCREW
2191 LOCKWASHER

8254 CABLE CLAMP
6746 SCREW
7002 WASHER

7099 THUMB SCREW

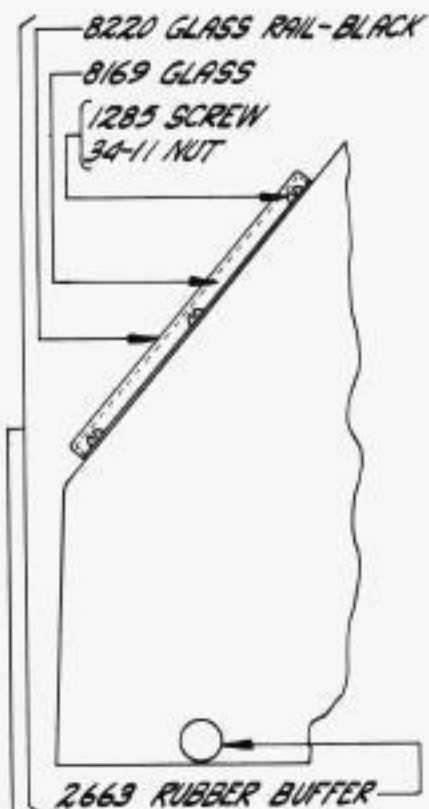
75322 CABLE
(W.D. 964 WITHOUT LINE RELAY)
(W.D. 965 WITH LINE RELAY)

NOTE:
FOR TAPE SIGNAL BELL PARTS
CONTACT SPRING, TAPE GUIDE TUBE
ETC. - SEE PAGE 8



72627 RECEIVING-ONLY PRINTER BASE - BLACK
8170 FELT PAD

3626 RUBBER FOOT



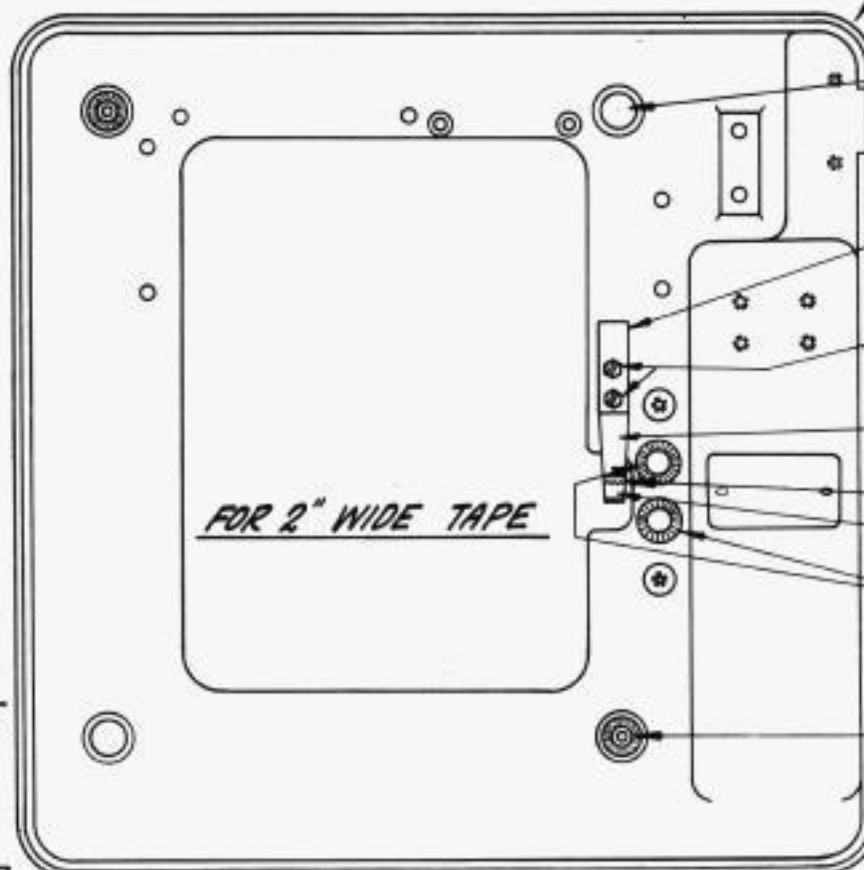
2663 RUBBER BUFFER

8154 RECEIVING-ONLY
PRINTER COVER (ASSEM.)
FOR 2" TAPE - (WITHOUT
COPYHOLDER AND MESSAGE
LINE GUIDE) - (WITH 2663
RUBBER BUFFER)

82073 CABLE FOR 2" TAPE
RECEIVING ONLY - PRINTER
(W.D. 869)

8254 CABLE CLAMP
6746 SCREW
7002 WASHER

8067 TAPE TENSION SPRING



72975 RECEIVING-ONLY PRINTER BASE - BLACK (FOR 2" TAPE)
8172 FELT PAD

7099 THUMB SCREW

7398 PLATE
4293 INSULATOR

6811 SCREW
7096 FIBRE BUSHING
2191 LOCKWASHER

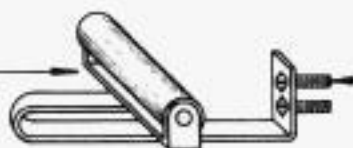
7399 CONTACT SPRING BACKSTOP

7403 CONTACT SPRING - UPPER
73104 CONTACT SPRING - LOWER

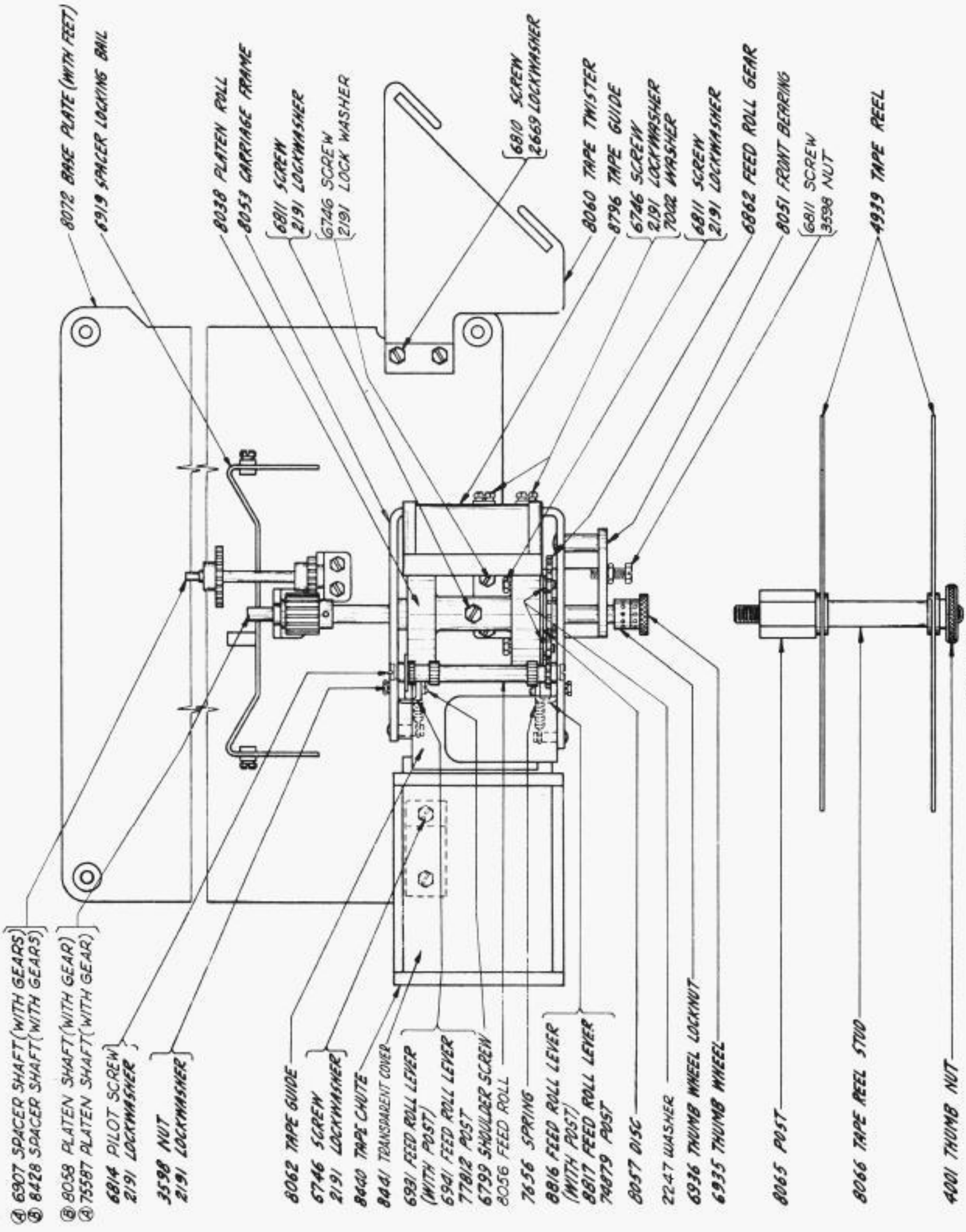
3628 OUTLET BUSHING - 13/32" I.D.
71541 OUTLET BUSHING - 1/2" I.D.

7337 FELT WASHER
7338 POST
2382 LOCKWASHER
34-4 NUT

8069 COVER PLATE
6746 SCREW
2191 LOCKWASHER

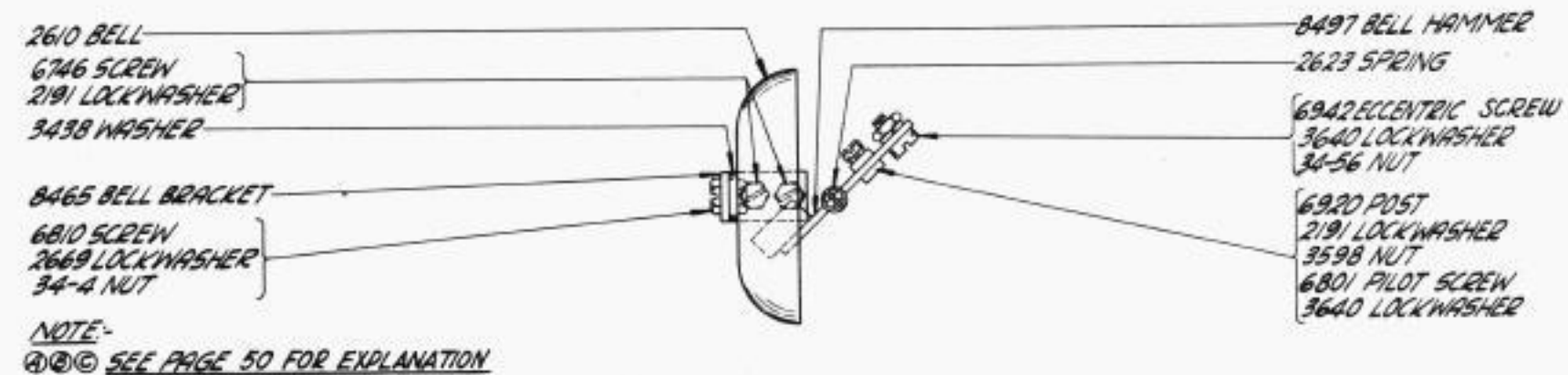
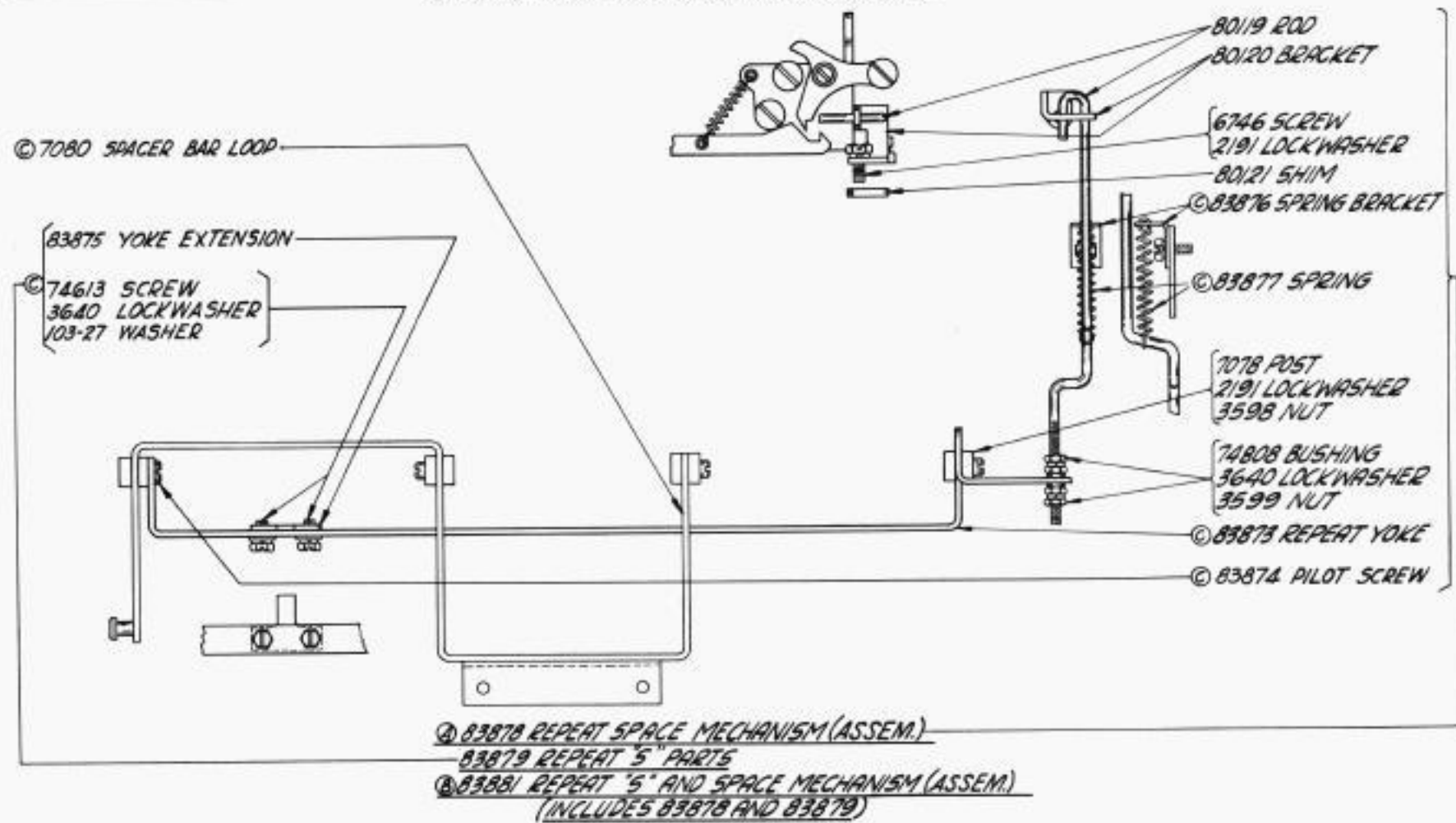
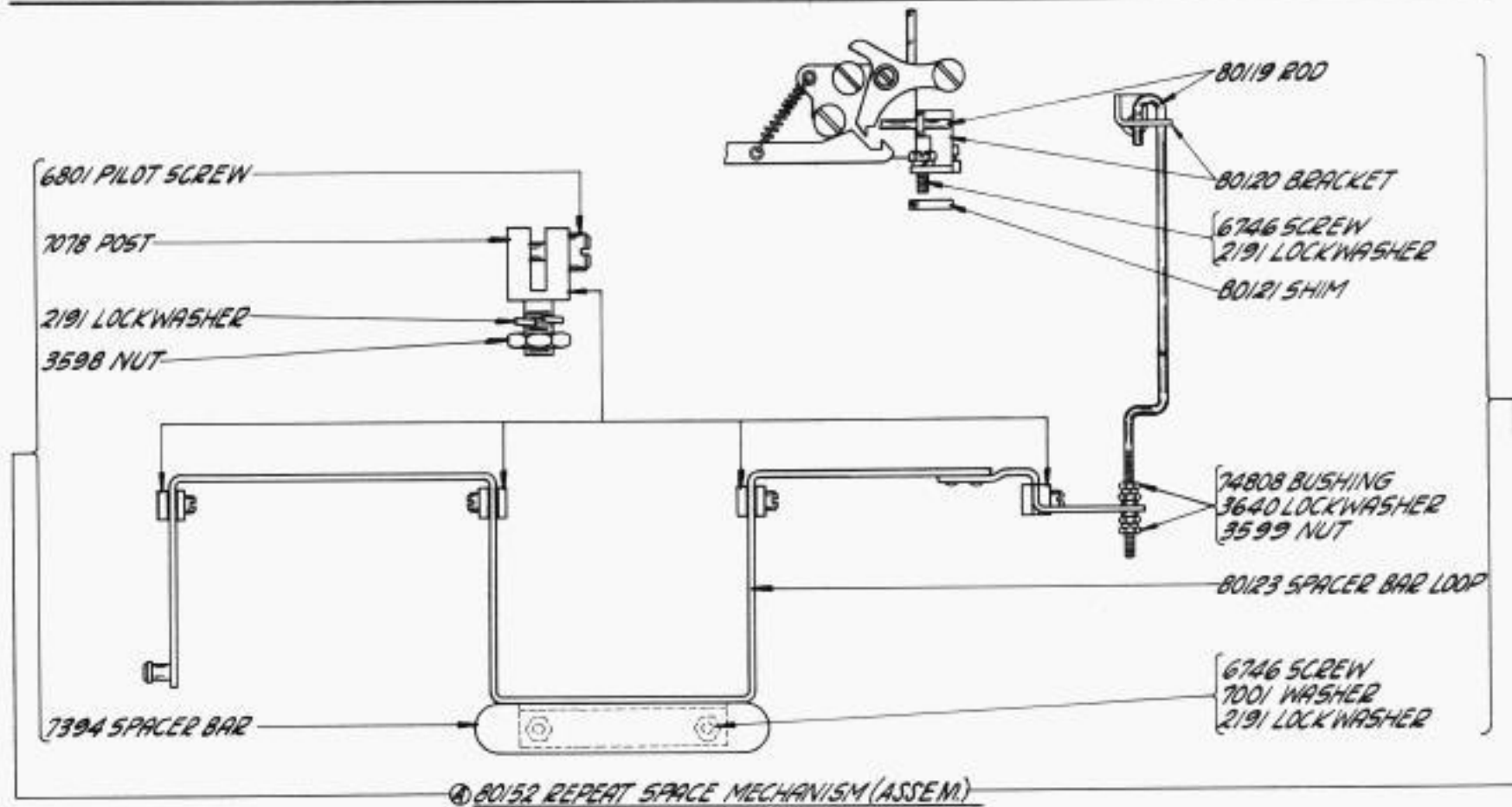


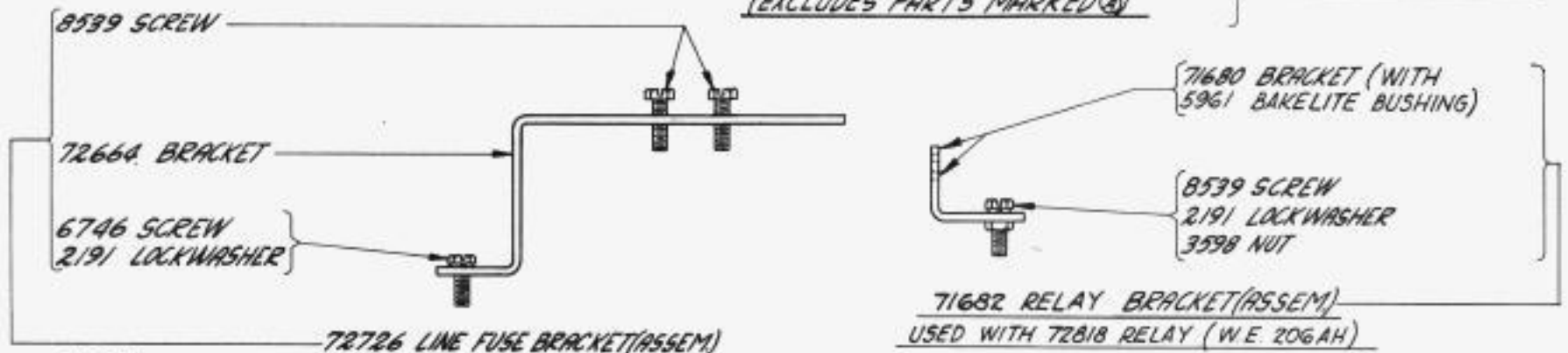
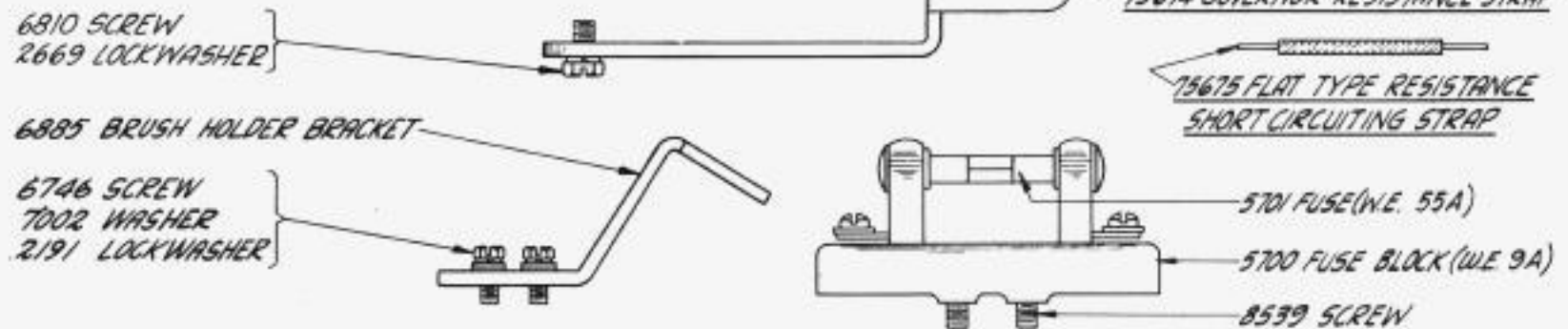
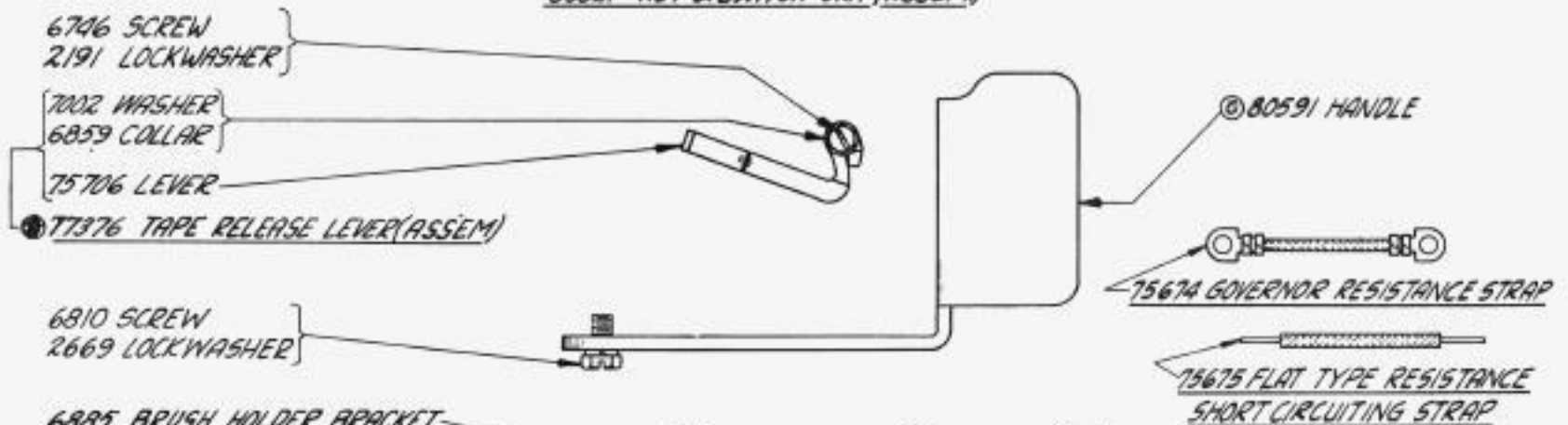
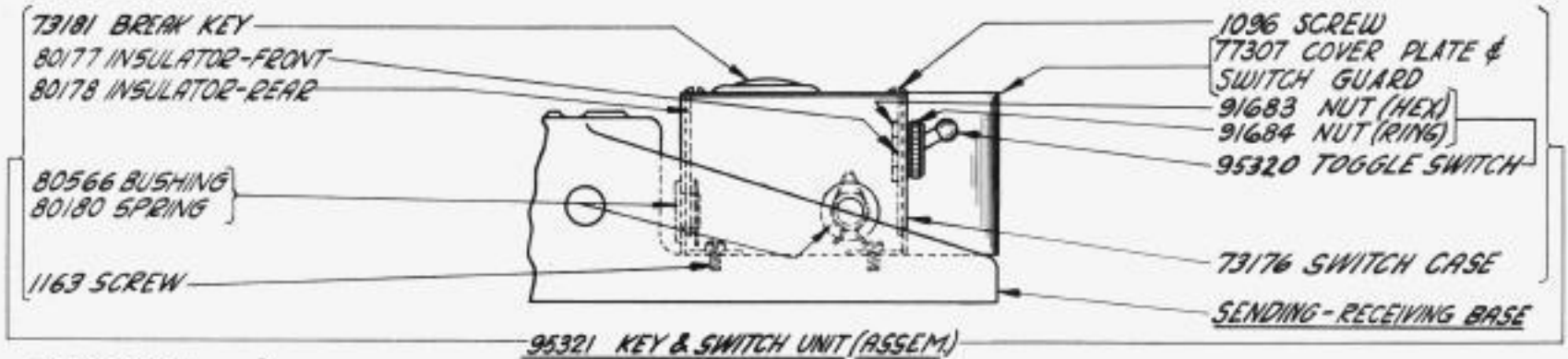
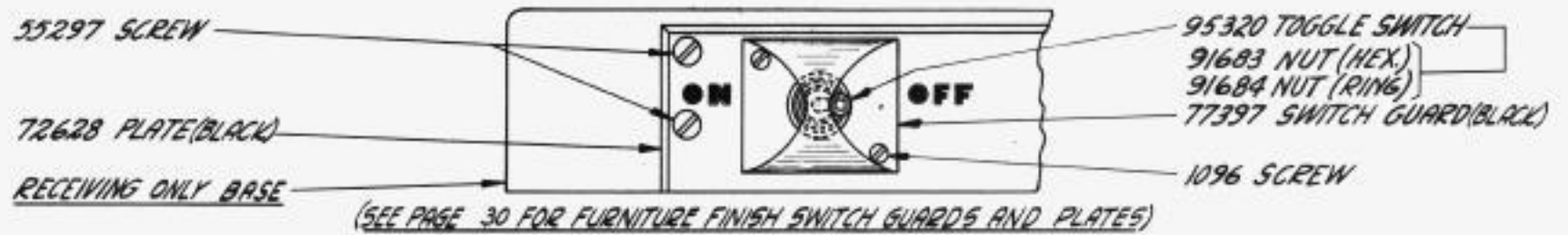
6746 SCREW
2191 LOCKWASHER



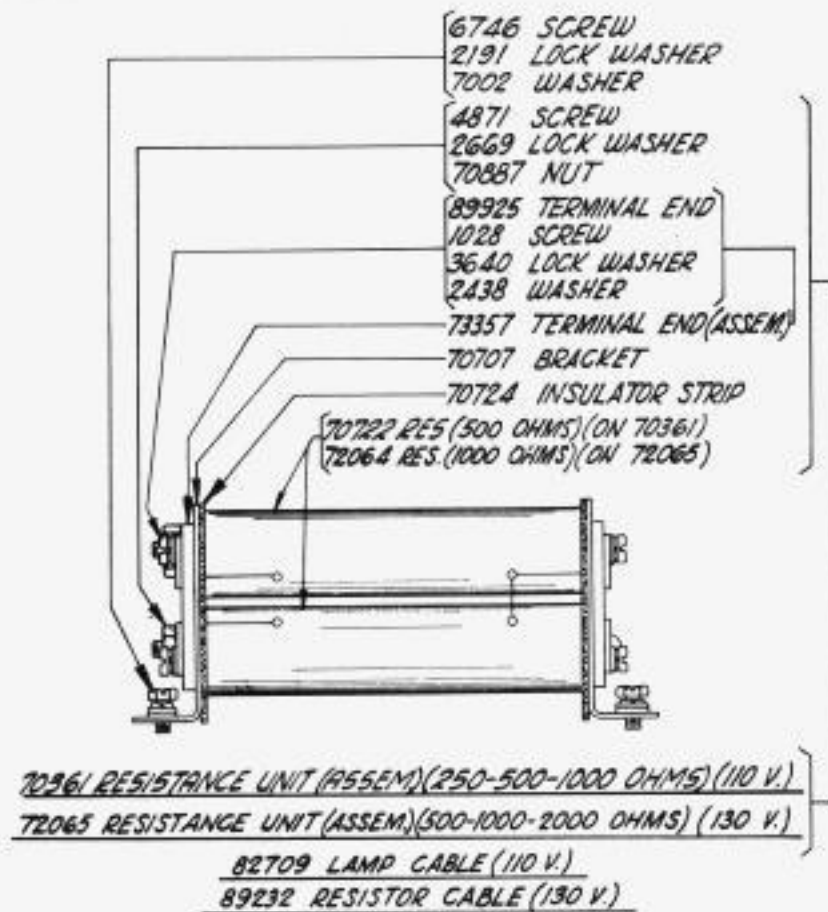
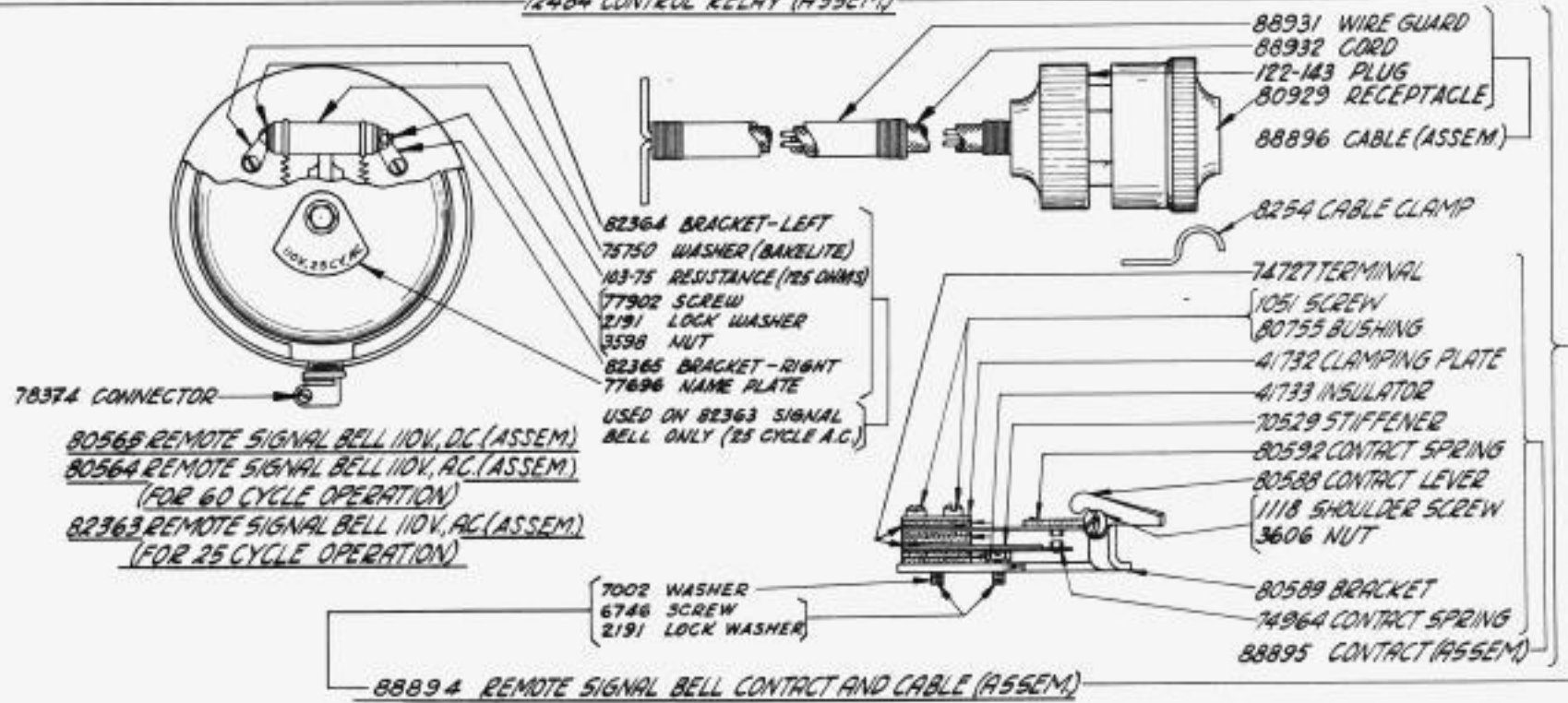
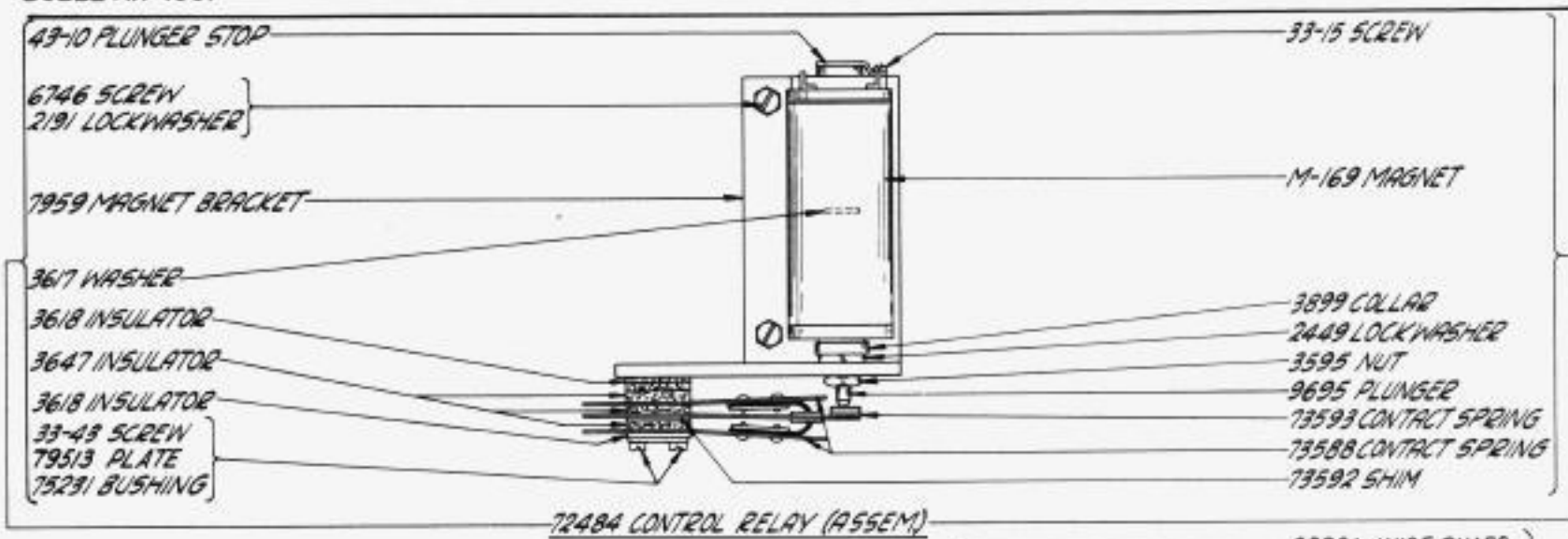
2" TAPE PRINTER

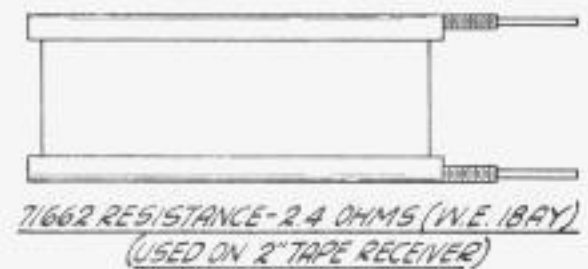
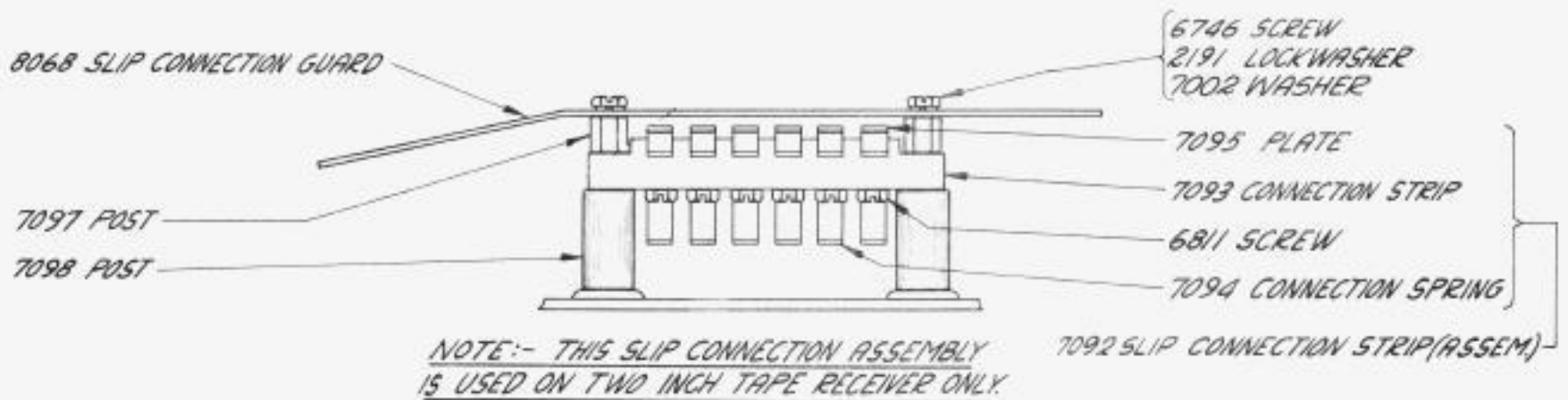
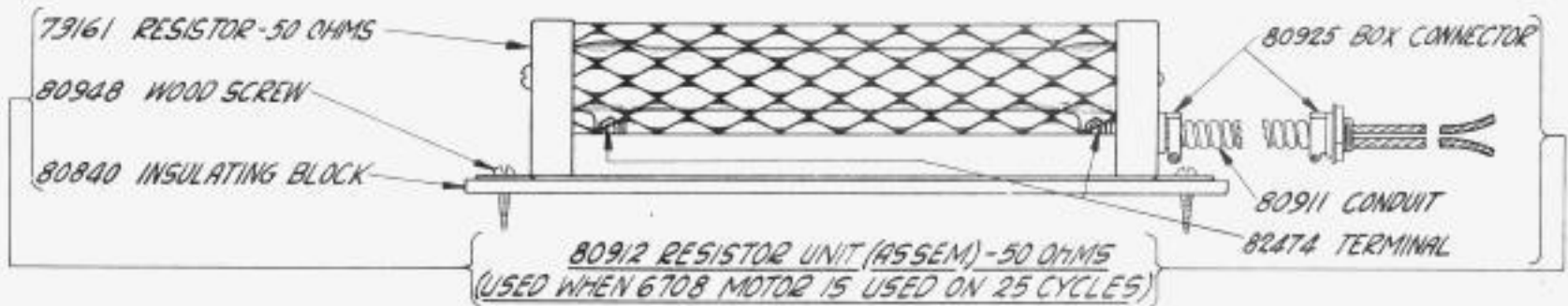
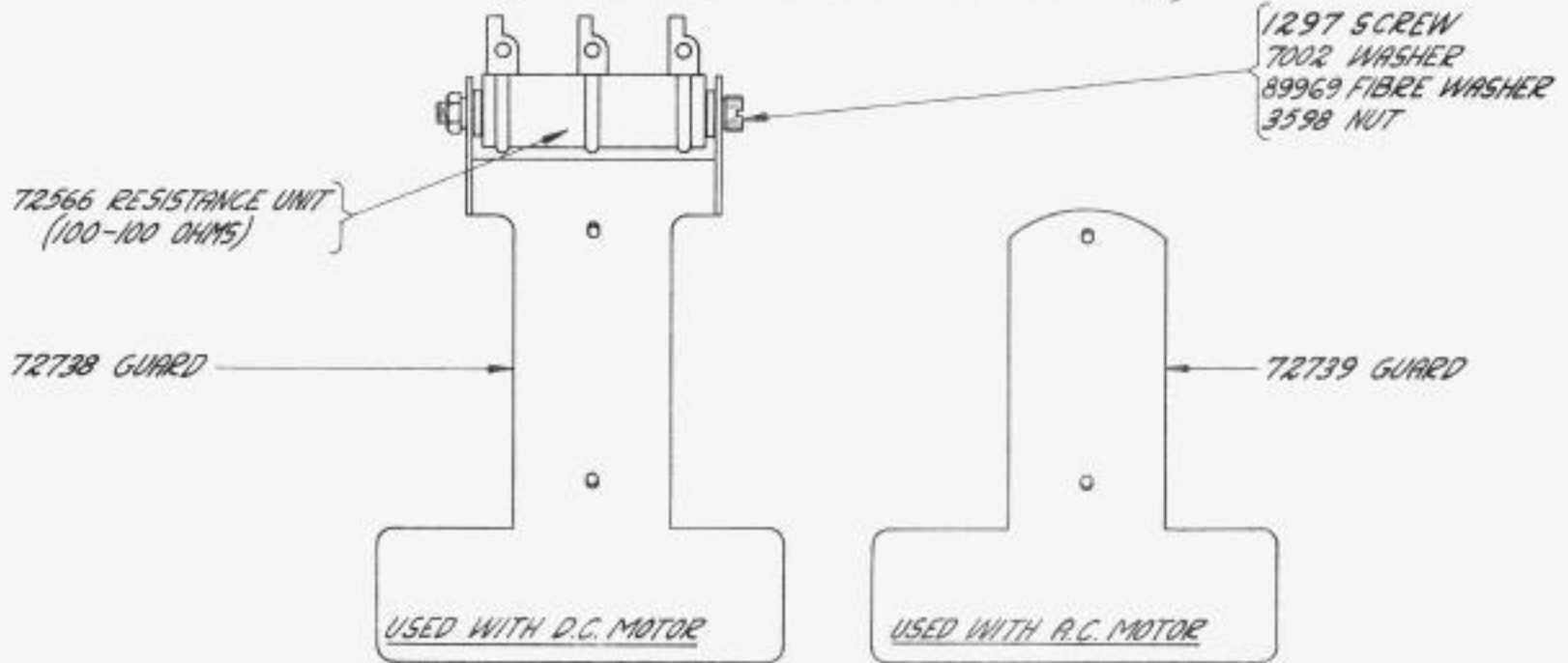
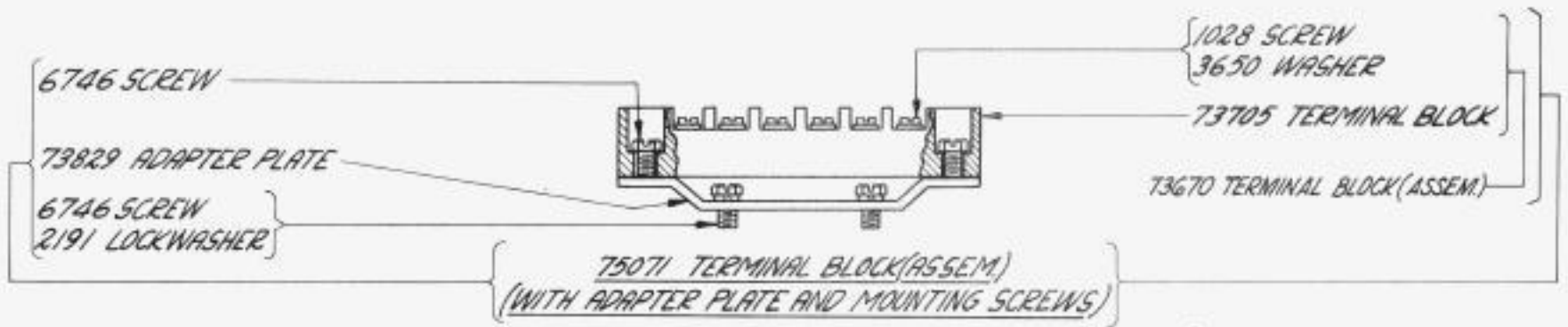
NOTE:- FOR STANDARD TAPE PRINTER PARTS NOT SHOWN ON THIS PAGE, SEE PAGE 1.
SEE PAGE 50 FOR EXPLANATION.



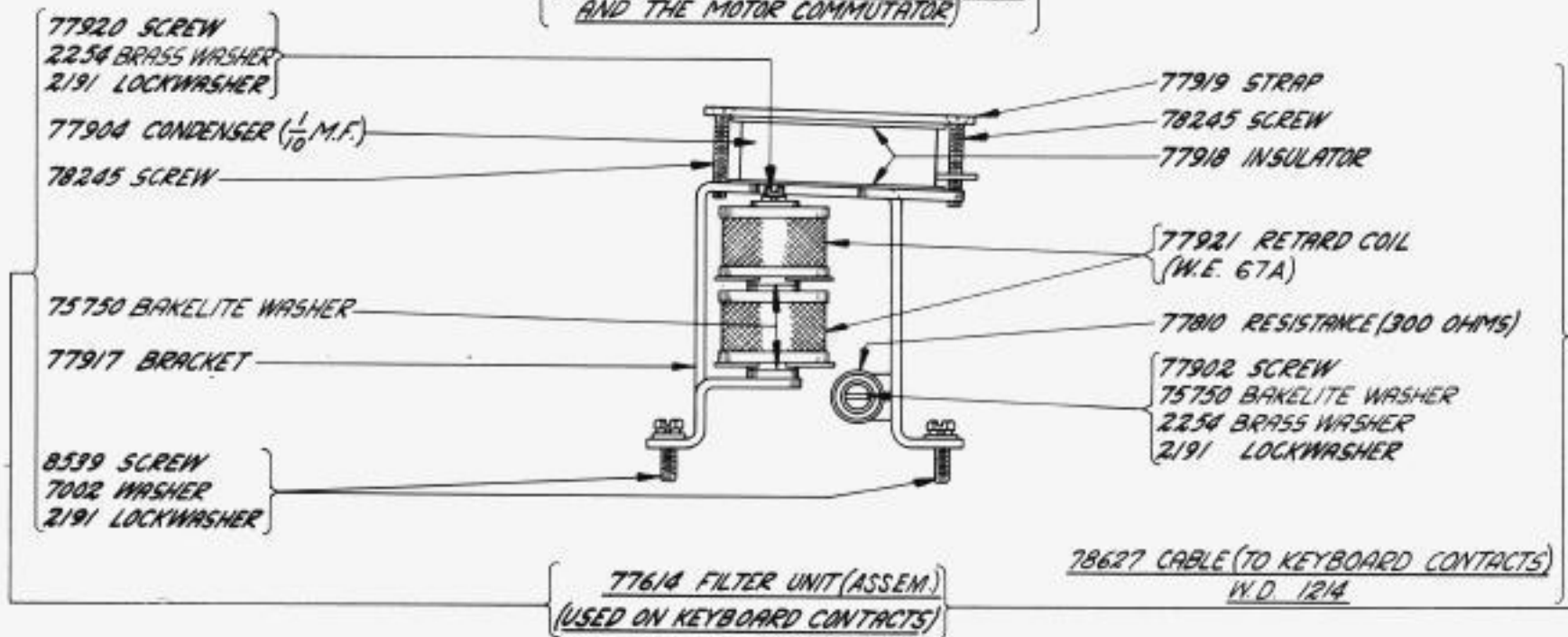
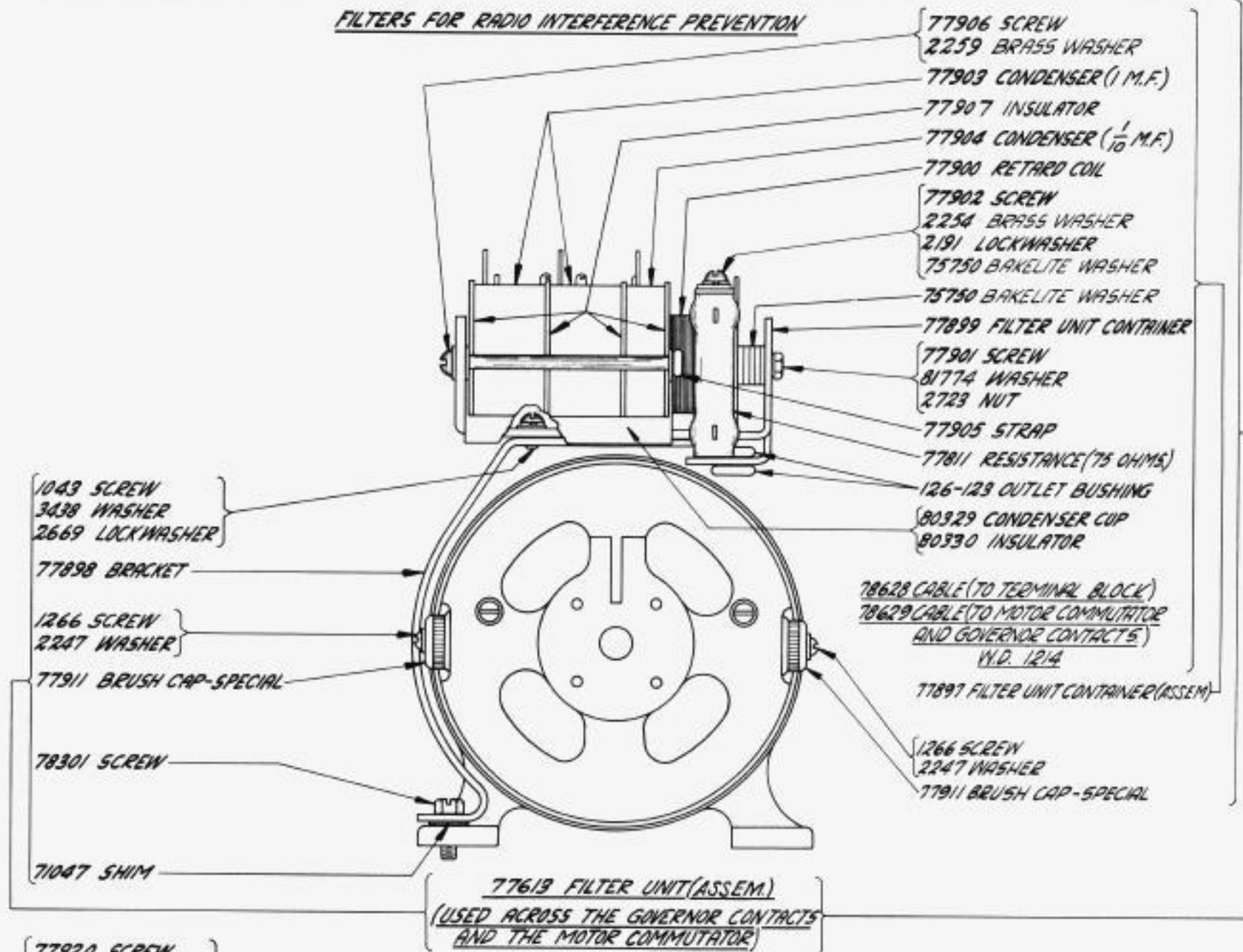


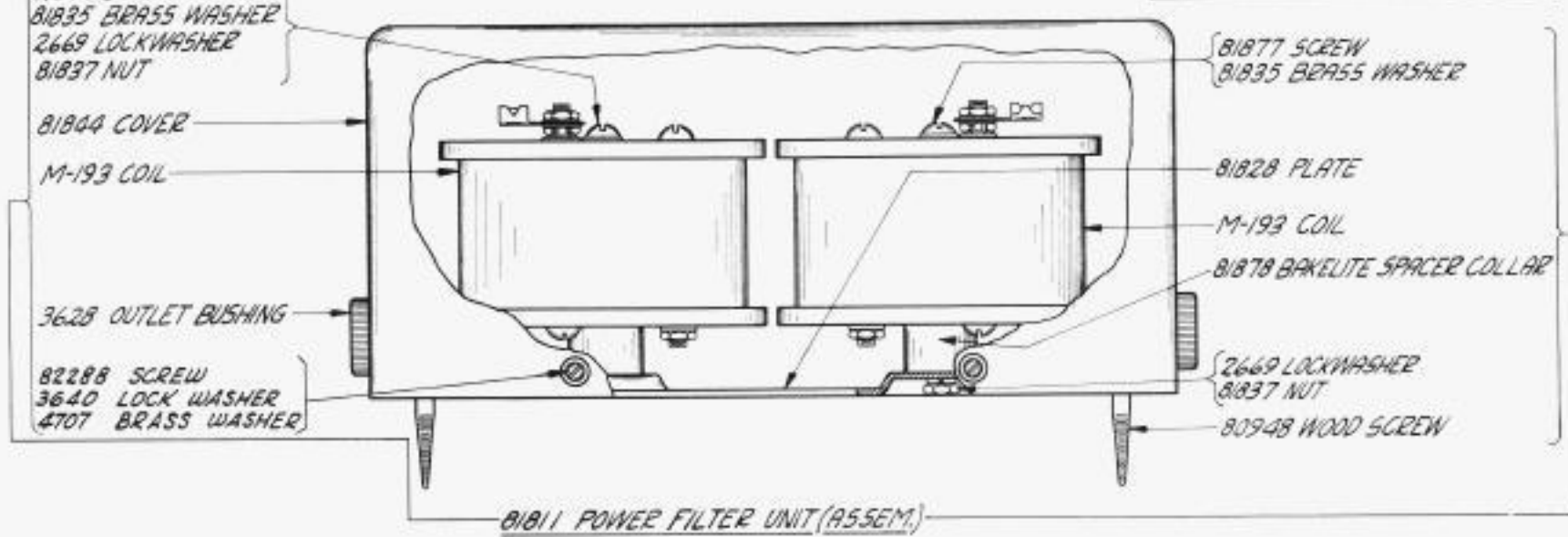
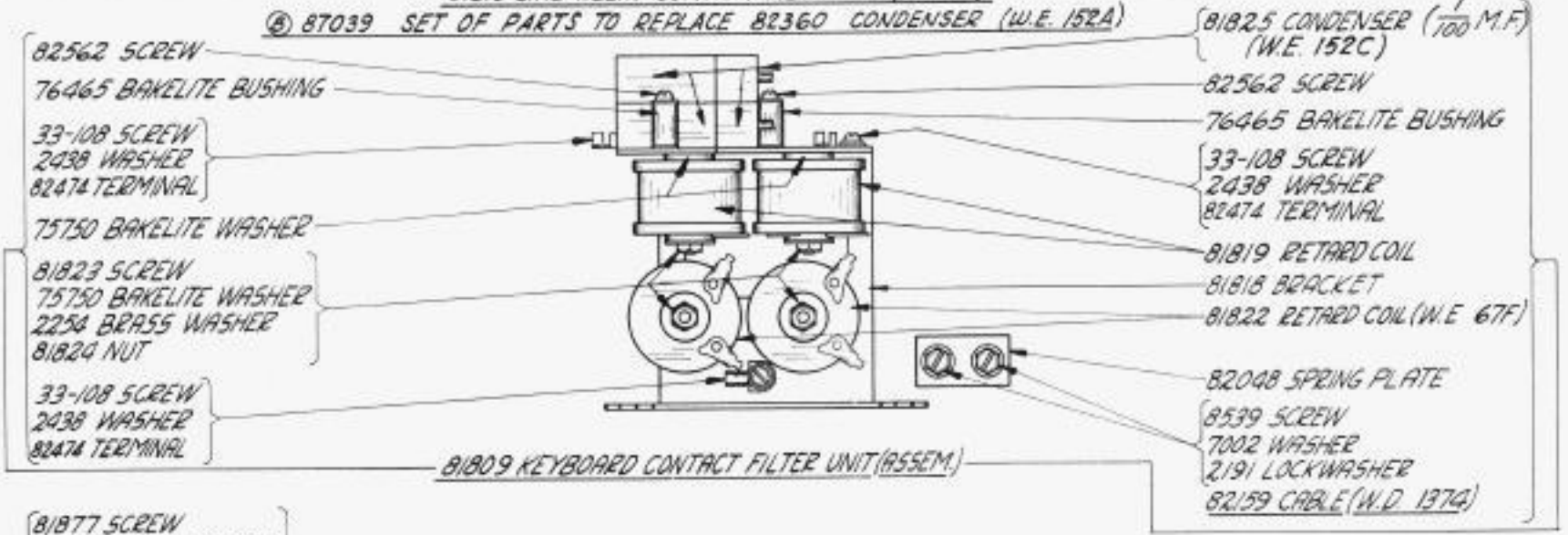
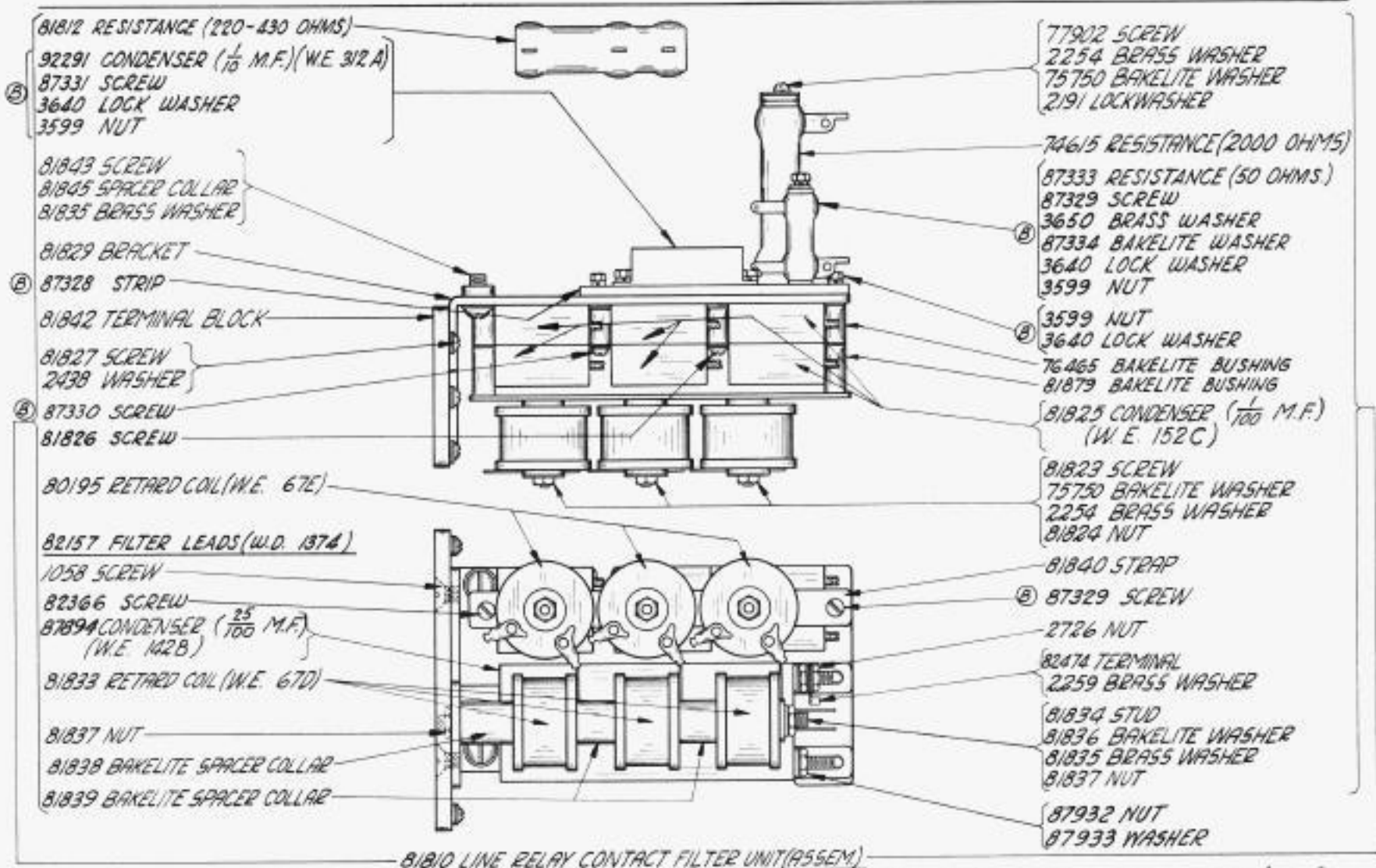
NOTE:-
ⓐ SEE PAGES 50 AND 51 FOR EXPLANATION

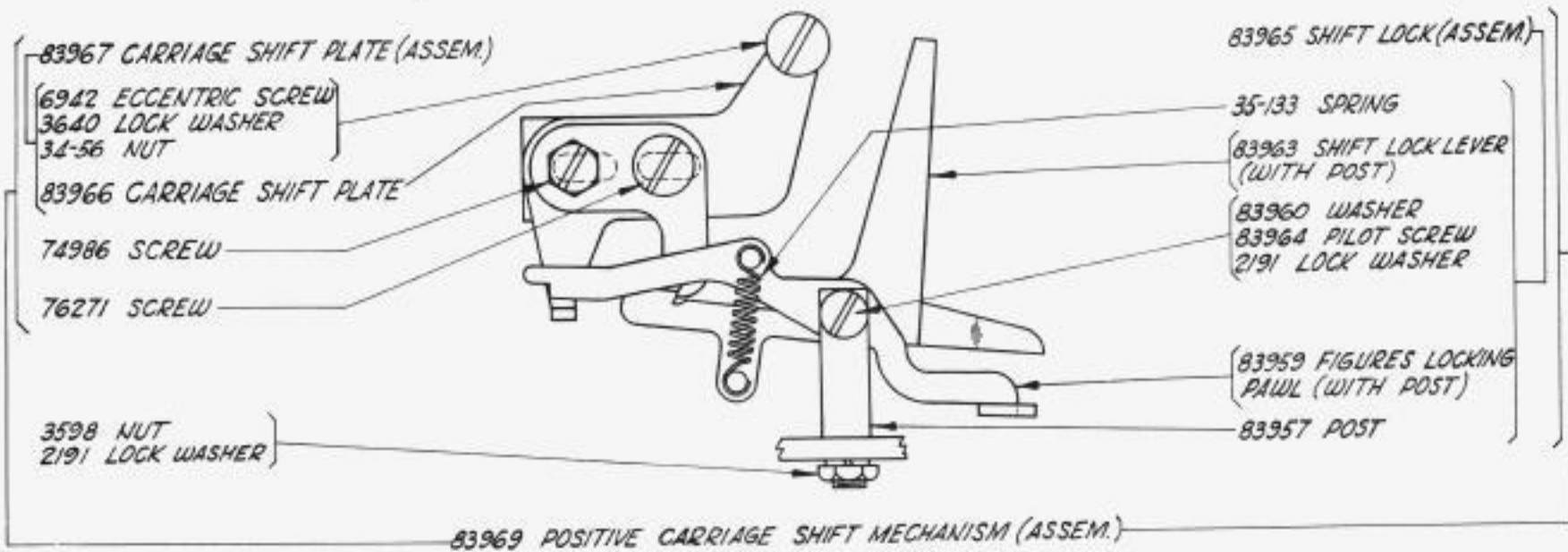
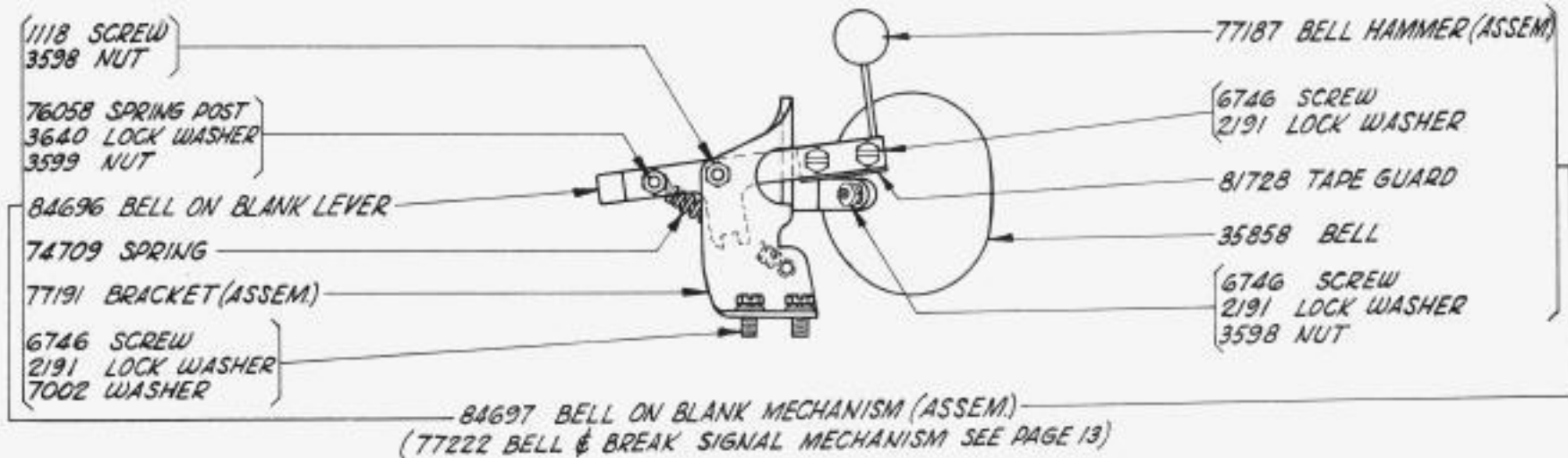
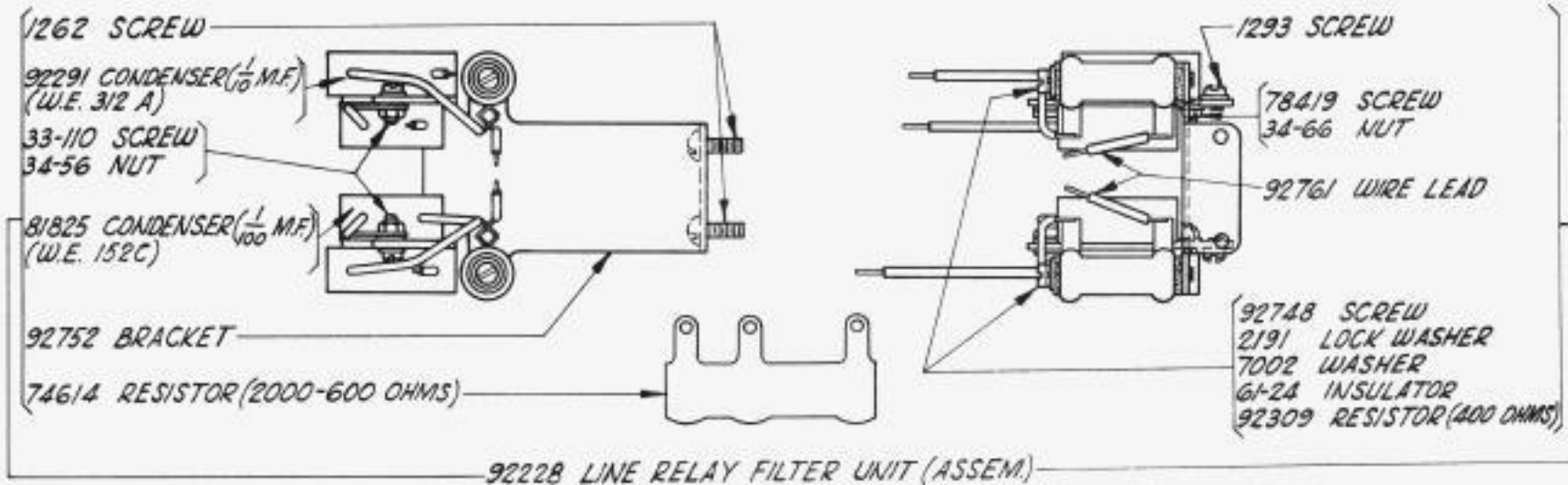
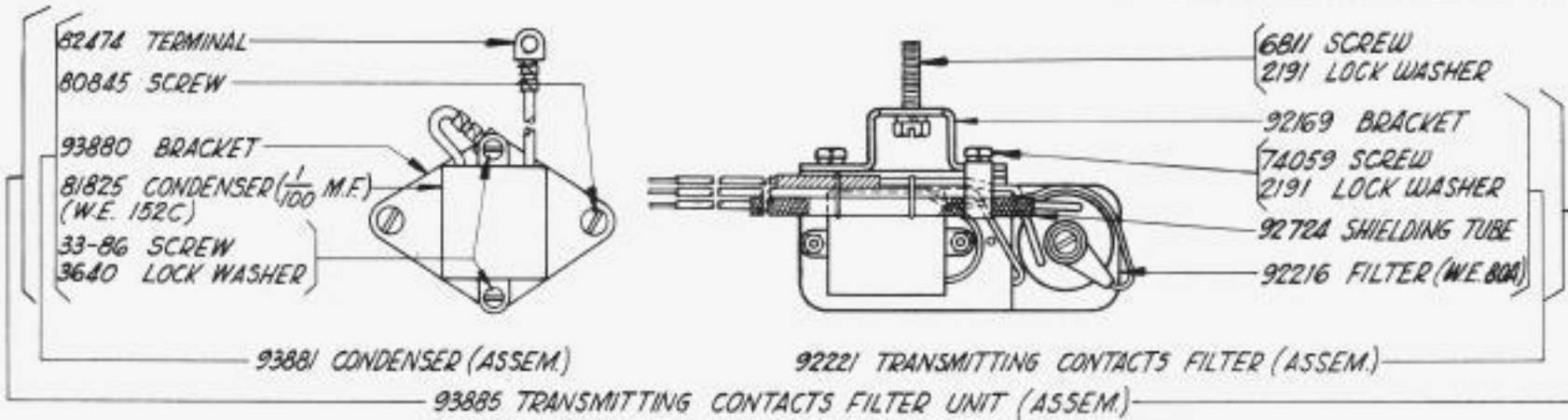


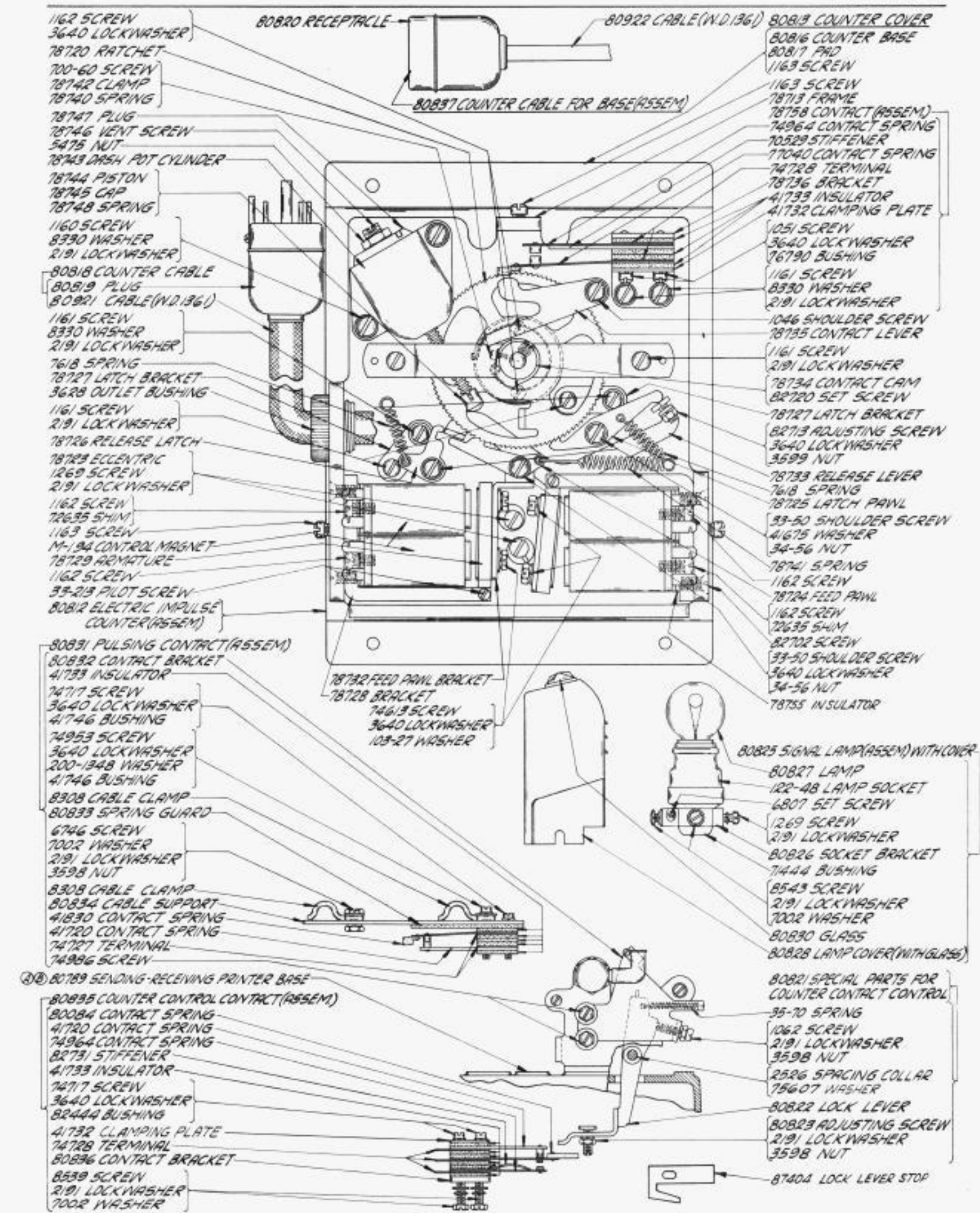


FILTERS FOR RADIO INTERFERENCE PREVENTION



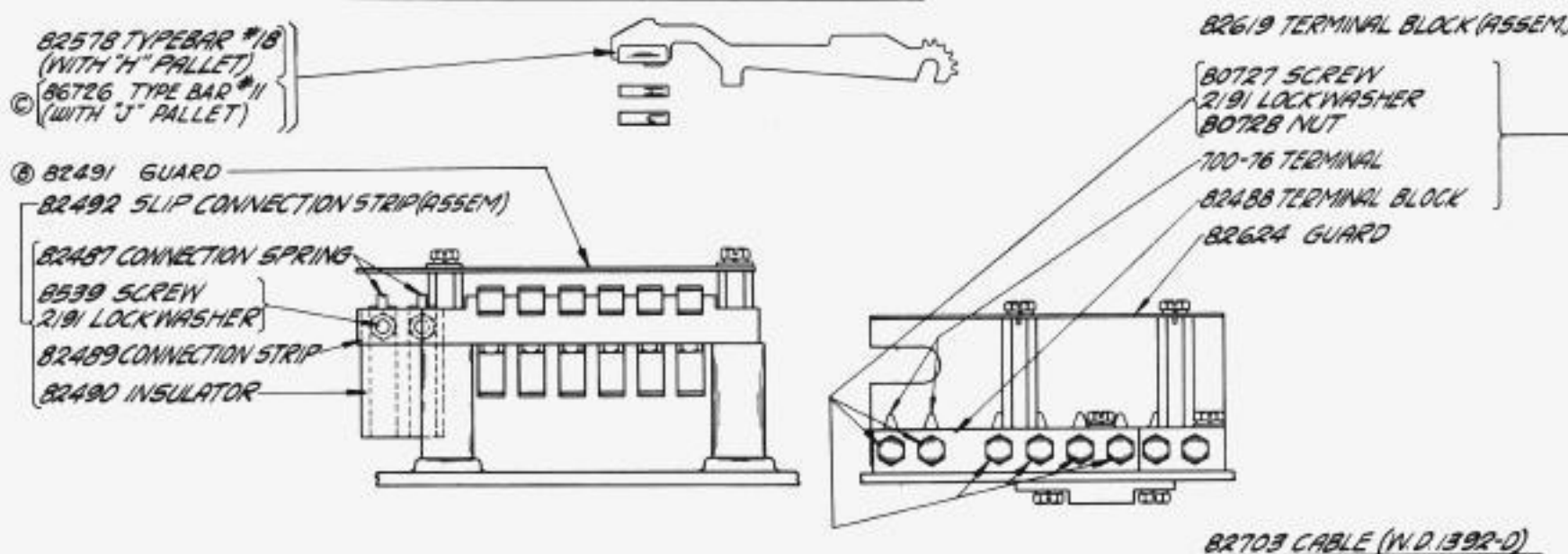
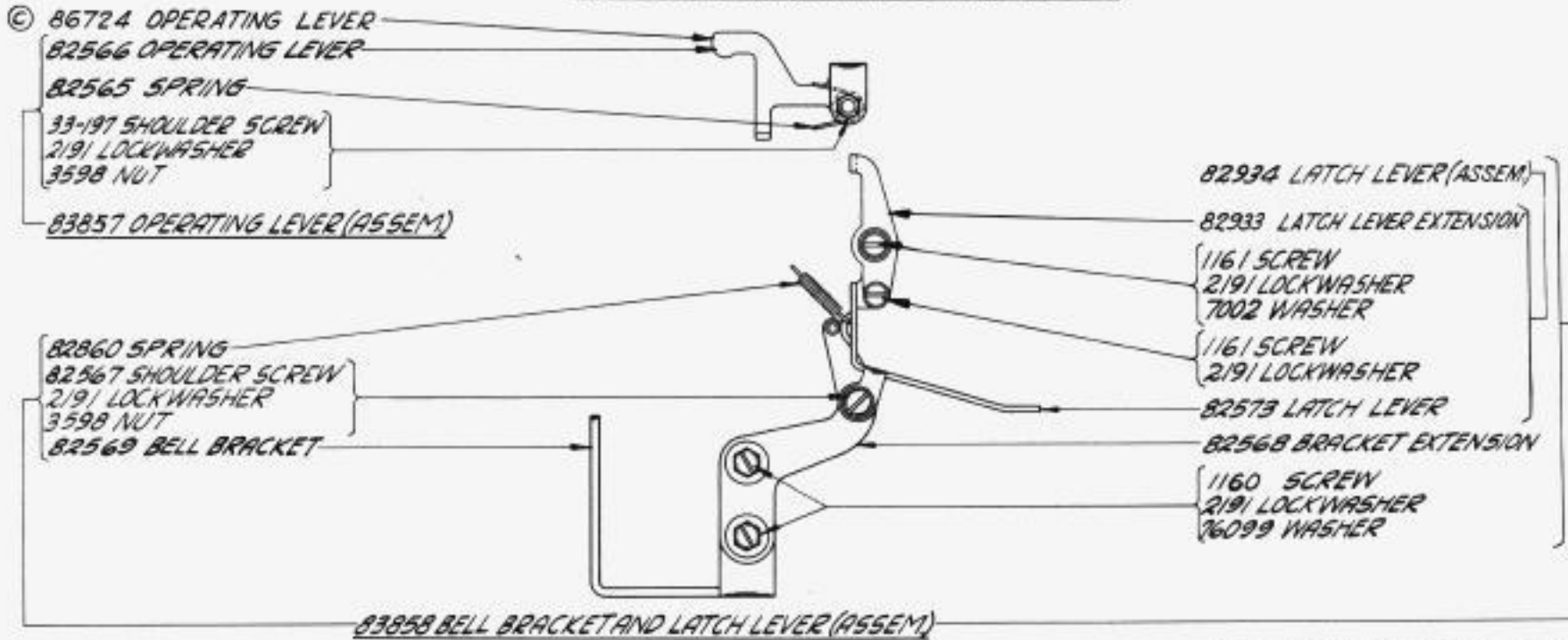
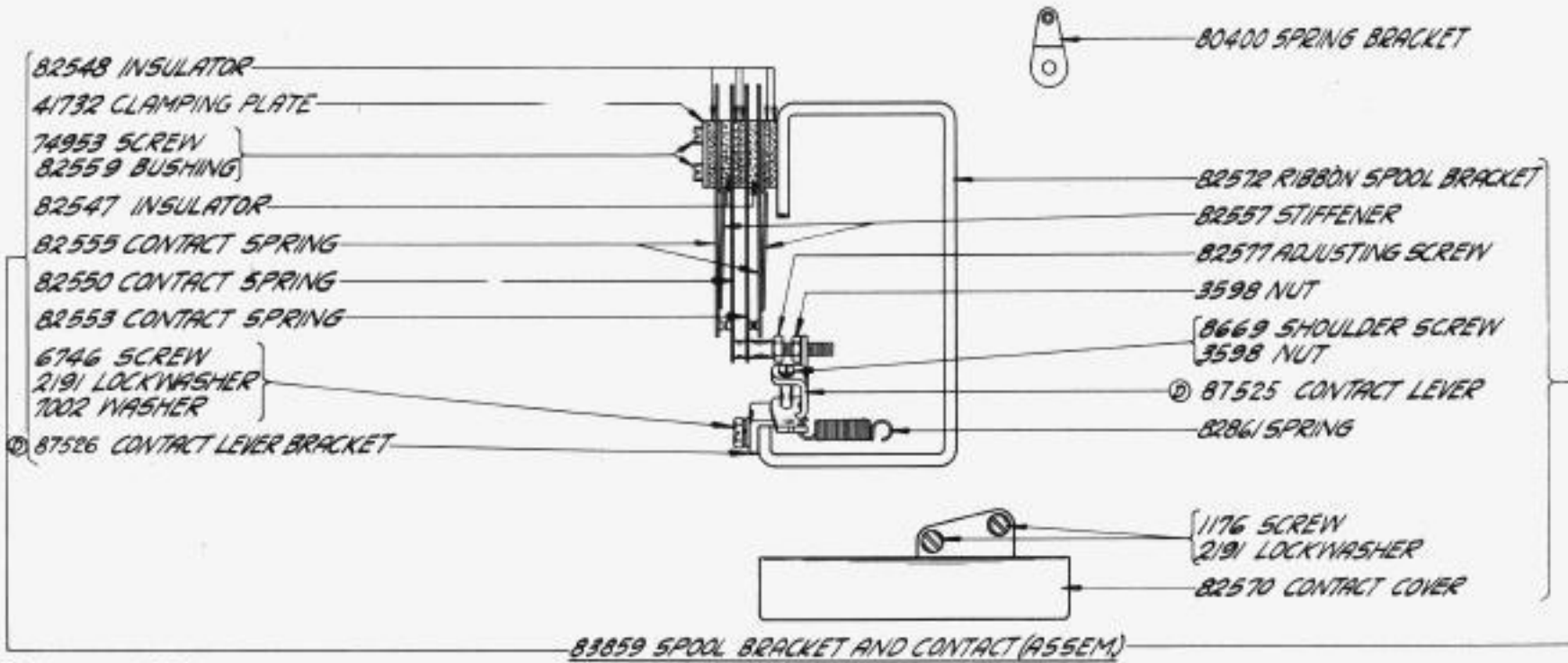






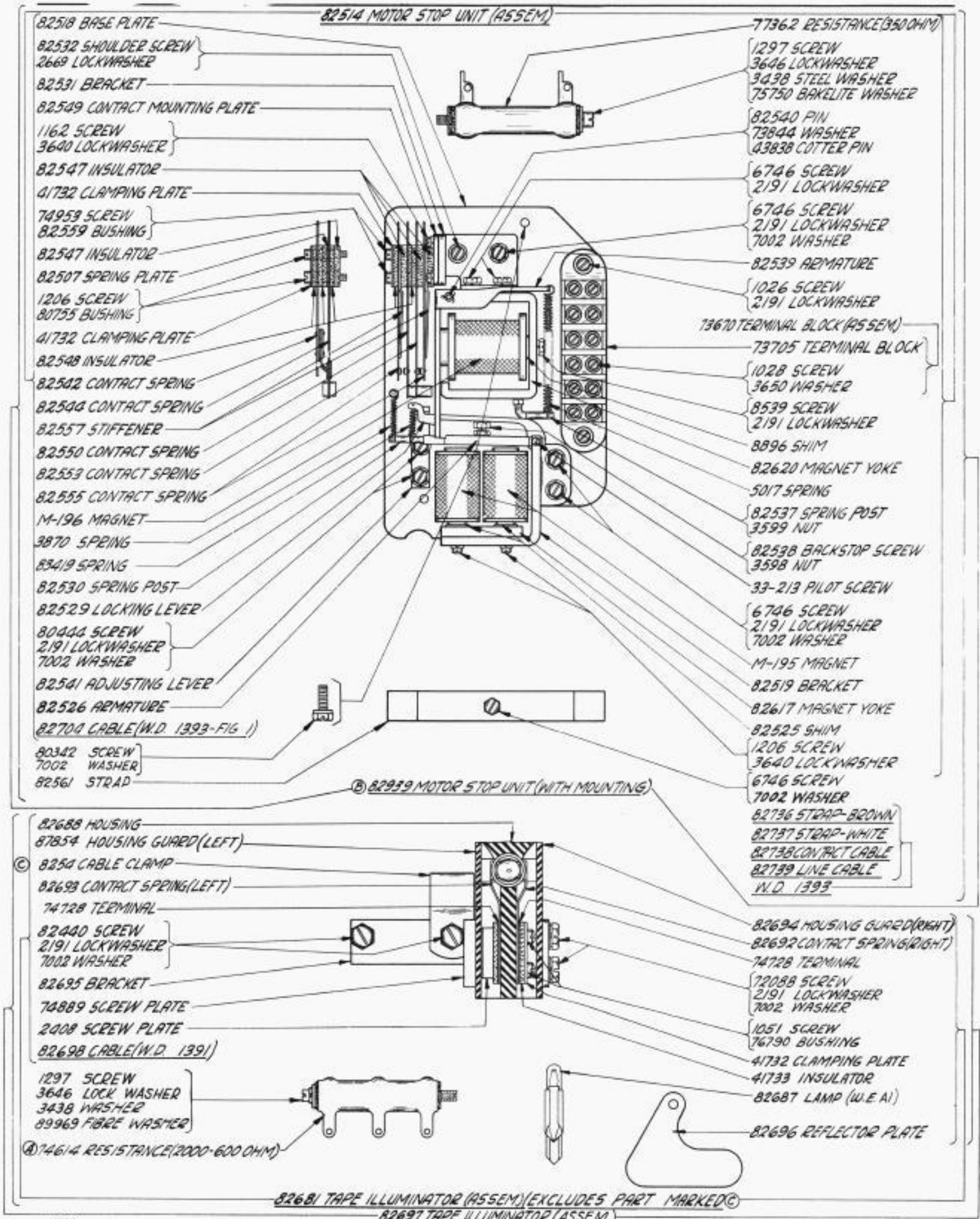
NOTE: ① SEE PAGE 51 FOR EXPLANATION.

80811 END-OF-LINE INDICATOR MECHANISM (ASSEM.)
(INCLUDES ALL PARTS ON PAGE EXCEPT PART MARKED ①)



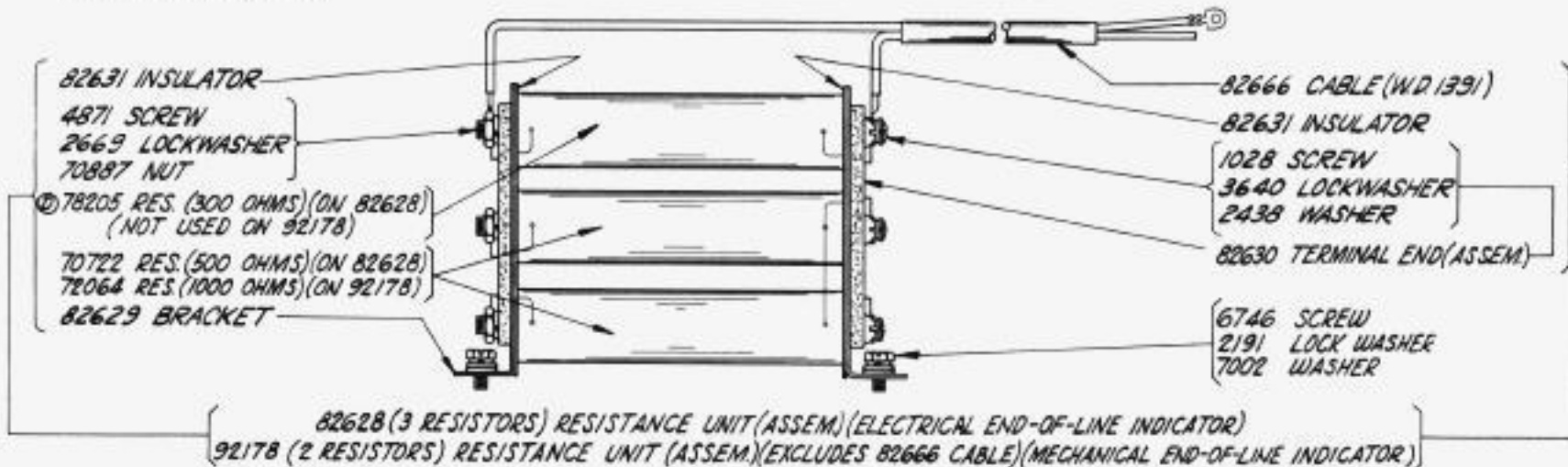
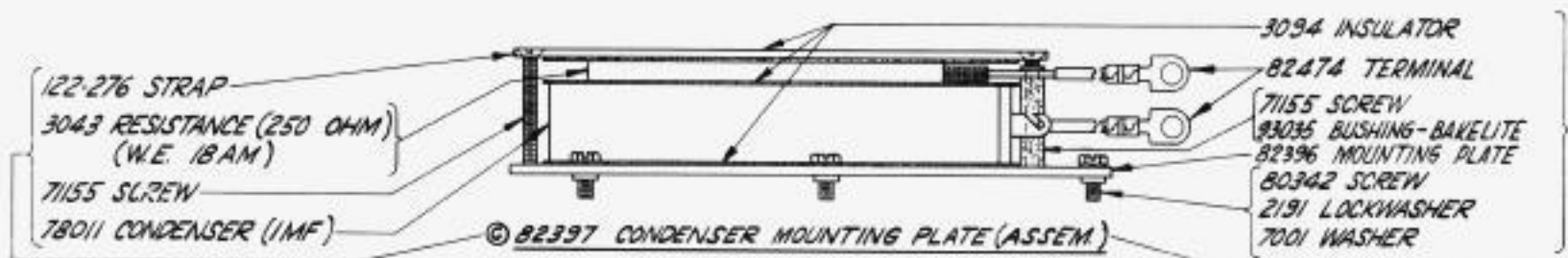
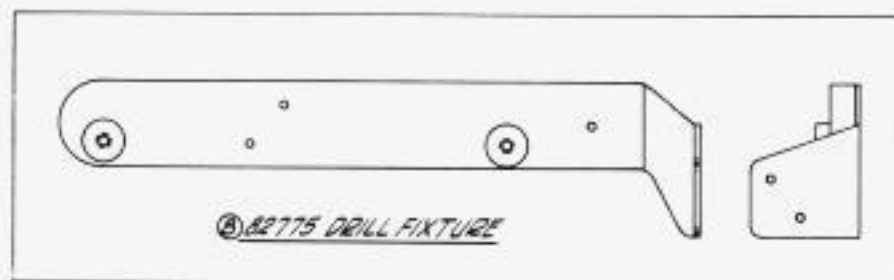
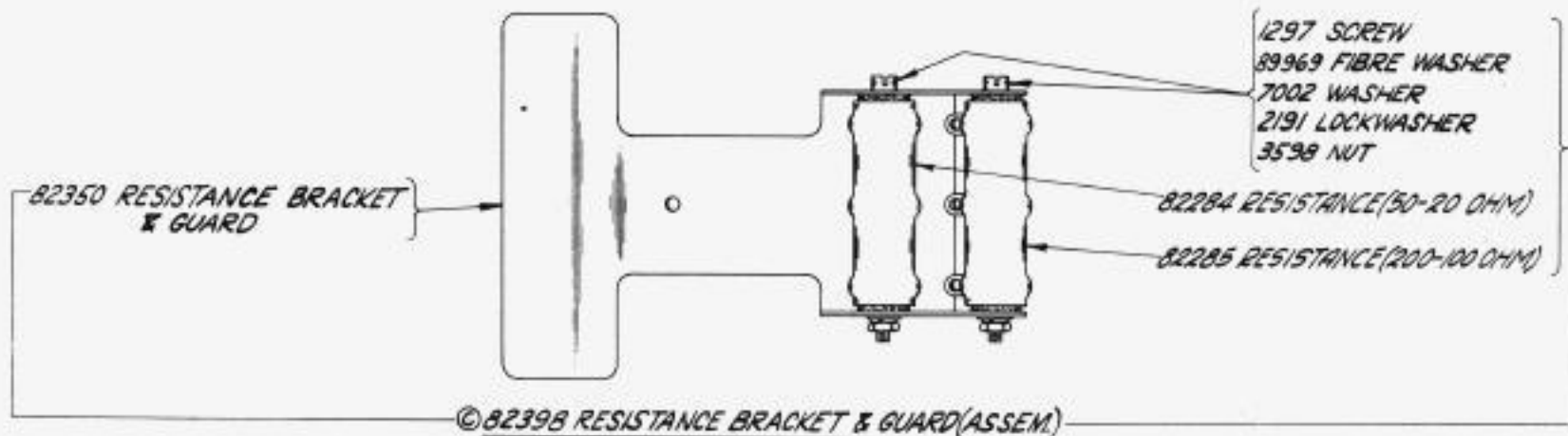
① ② 82513 SET OF PARTS TO ADD CONTACT TO OPEN OR CLOSE ON UPPER CASE "H" COMBINATION
(INCLUDES ALL PARTS ON THIS PAGE EXCEPT THOSE MARKED ©)

NOTE-
① ② ③ ④ SEE PAGE 51 FOR EXPLANATION.

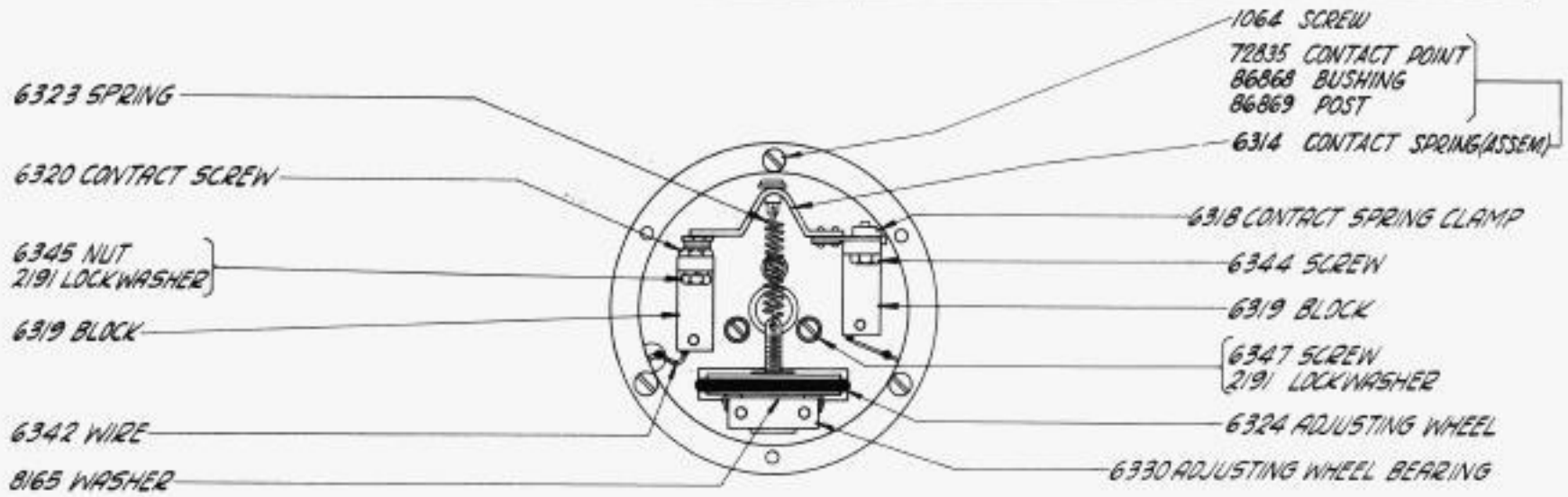


NOTE:-

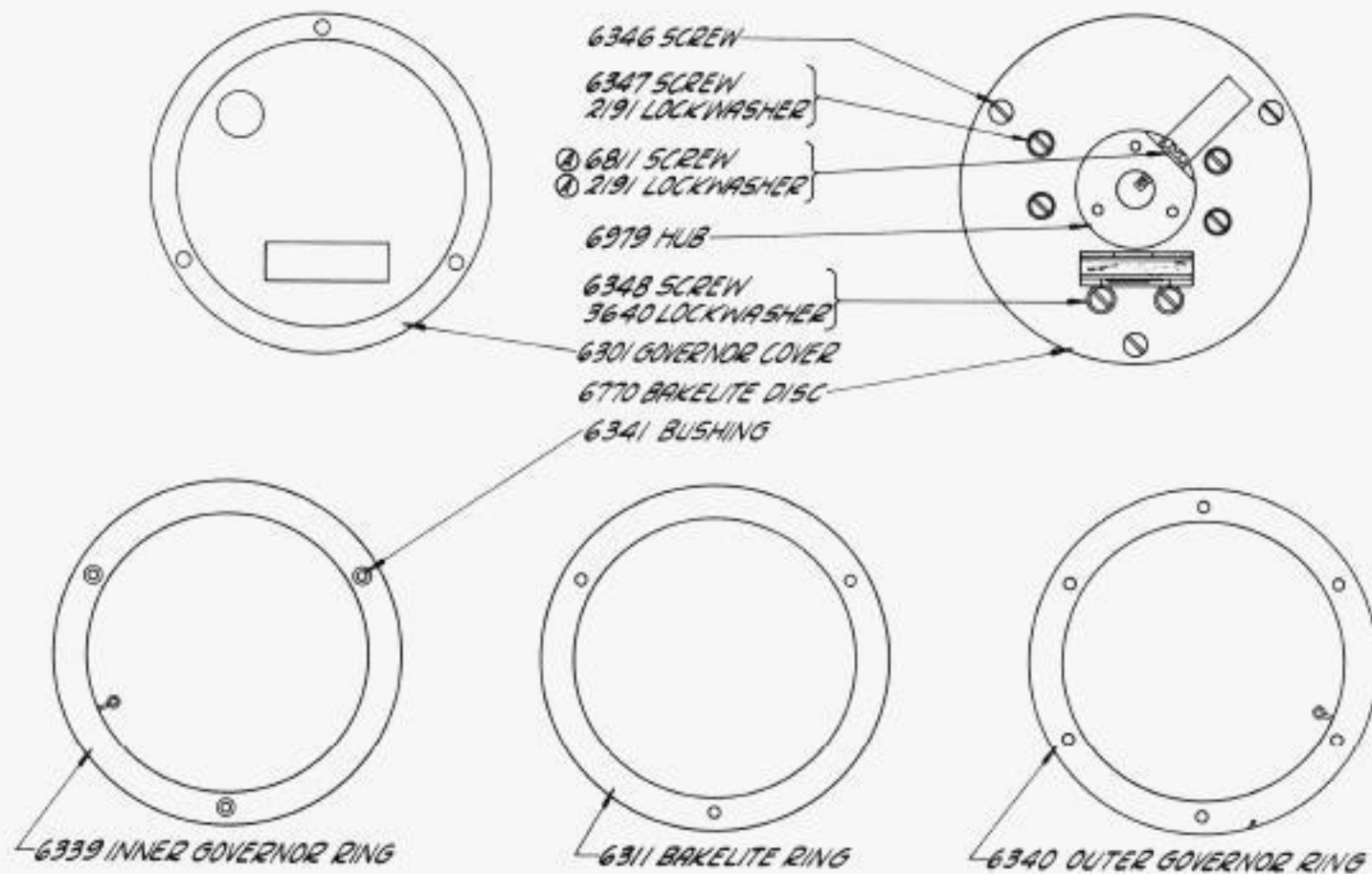
①② SEE PAGE 51 FOR EXPLANATION.



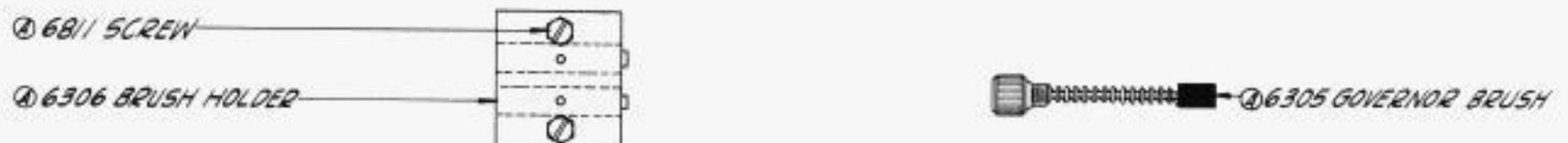
NOTE -
①②③④ SEE PAGE 51 FOR EXPLANATION



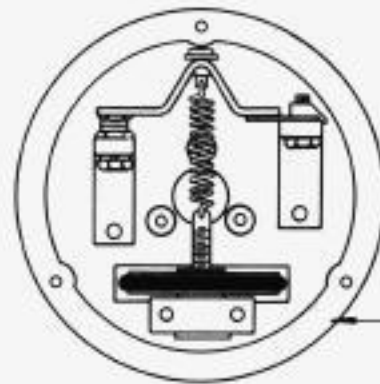
- ⓐ 7105 (BELL SYSTEM I-G SPEED TARGET) - 10 SPOTS
- ⓐ 72665 (BELL SYSTEM I-J SPEED TARGET) - 23 SPOTS



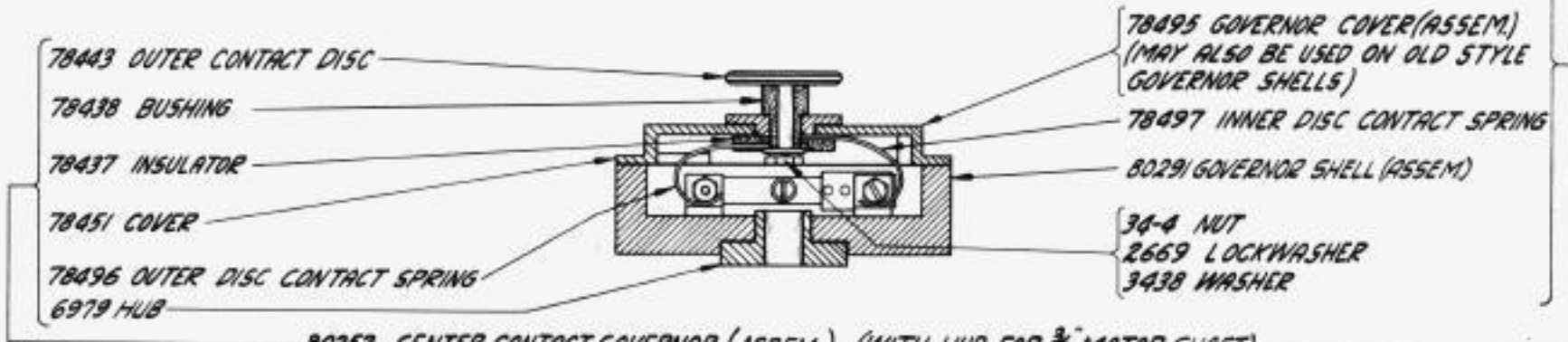
THESE GOVERNOR RINGS ARE MADE OVERSIZE AND CAN BE USED FOR REPLACEMENT ONLY AT POINTS WHERE FACILITIES ARE AVAILABLE FOR TURNING THEM DOWN AFTER RINGS HAVE BEEN ASSEMBLED IN GOVERNOR.



7485 GOVERNOR (ASSEM.) (FOR 3/8" MOTOR SHAFT)
(EXCLUDES PARTS MARKED ⓐ)



78439 GOVERNOR SHELL

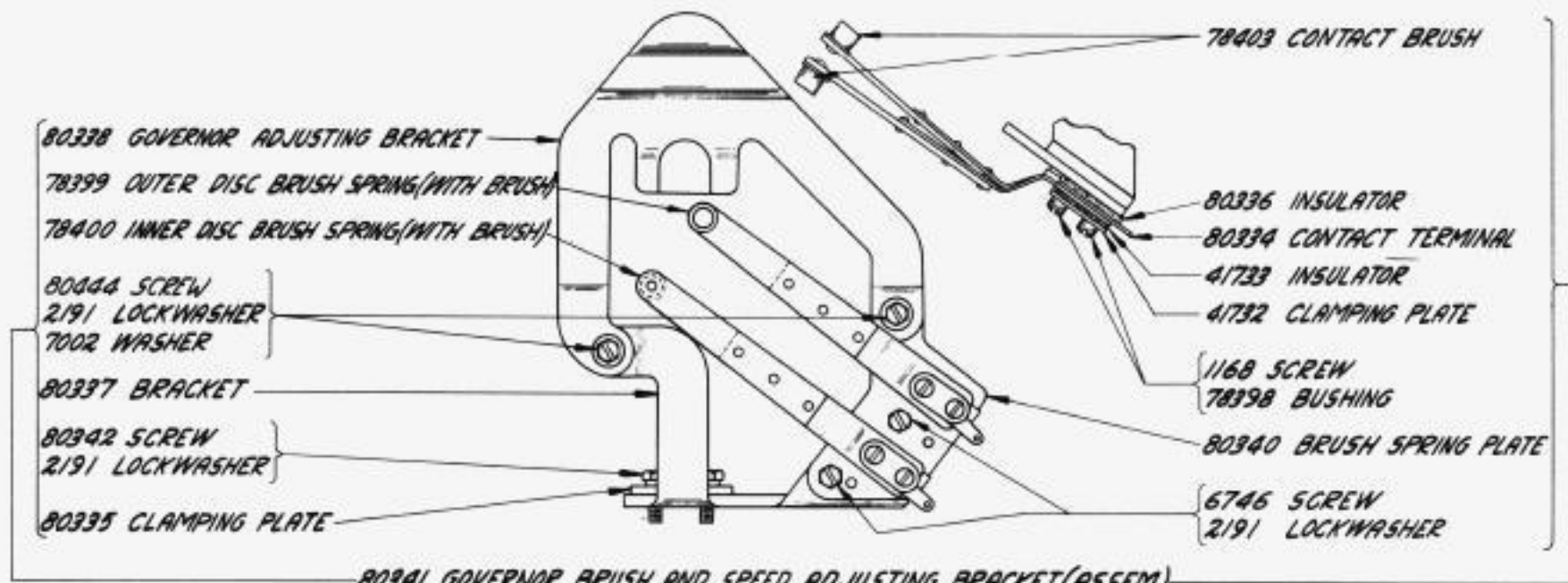


78495 GOVERNOR COVER (ASSEM.)
 (MAY ALSO BE USED ON OLD STYLE GOVERNOR SHELLS)
 78497 INNER DISC CONTACT SPRING
 80291 GOVERNOR SHELL (ASSEM.)
 34-4 NUT
 2669 LOCKWASHER
 3438 WASHER

78443 OUTER CONTACT DISC
 78438 BUSHING
 78437 INSULATOR
 78451 COVER
 78496 OUTER DISC CONTACT SPRING
 6979 HUB

80352 CENTER CONTACT GOVERNOR (ASSEM.) (WITH HUB FOR 3/8" MOTOR SHAFT)

NOTE: FOR PARTS NOT LISTED SEE PAGE 27.

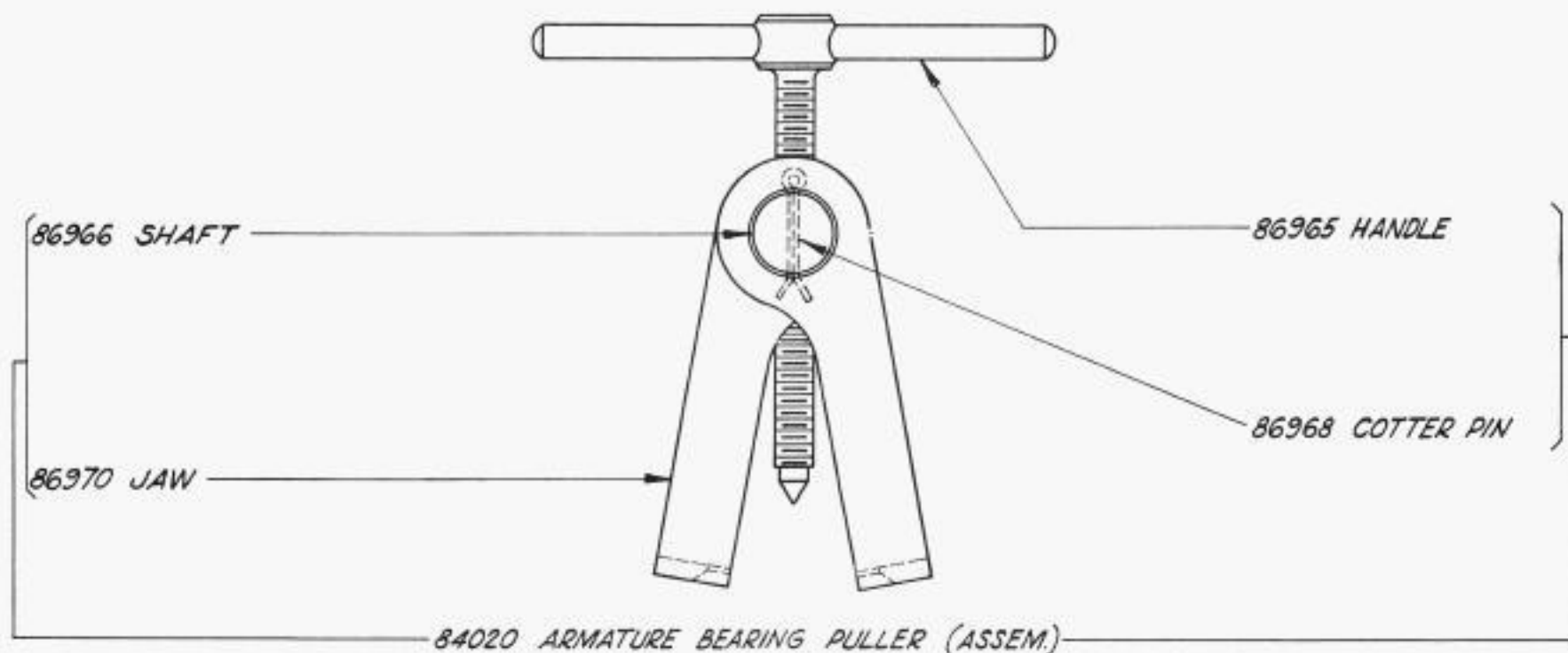
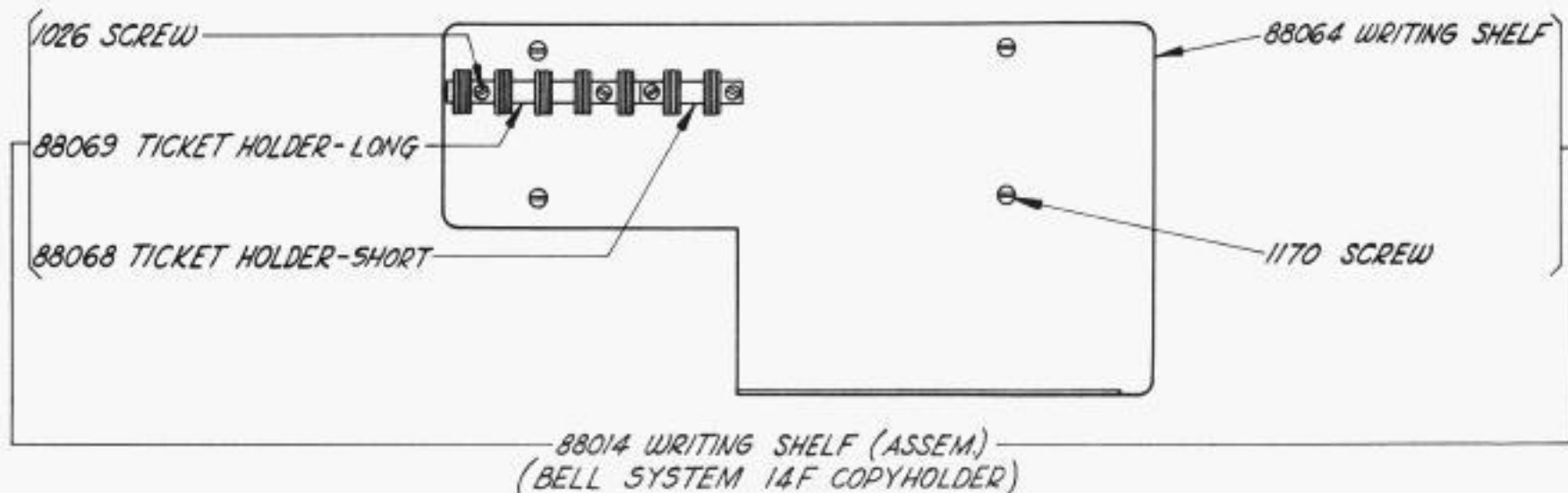


78403 CONTACT BRUSH

80336 INSULATOR
 80334 CONTACT TERMINAL
 41733 INSULATOR
 41732 CLAMPING PLATE
 1168 SCREW
 78398 BUSHING
 80340 BRUSH SPRING PLATE
 6746 SCREW
 2191 LOCKWASHER

80338 GOVERNOR ADJUSTING BRACKET
 78399 OUTER DISC BRUSH SPRING (WITH BRUSH)
 78400 INNER DISC BRUSH SPRING (WITH BRUSH)
 80044 SCREW
 2191 LOCKWASHER
 7002 WASHER
 80337 BRACKET
 80342 SCREW
 2191 LOCKWASHER
 80335 CLAMPING PLATE

80341 GOVERNOR BRUSH AND SPEED ADJUSTING BRACKET (ASSEM.)

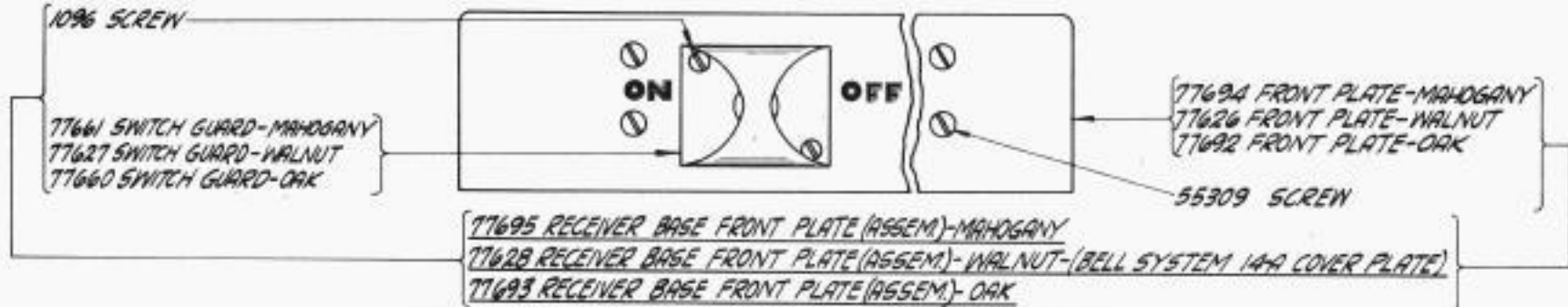
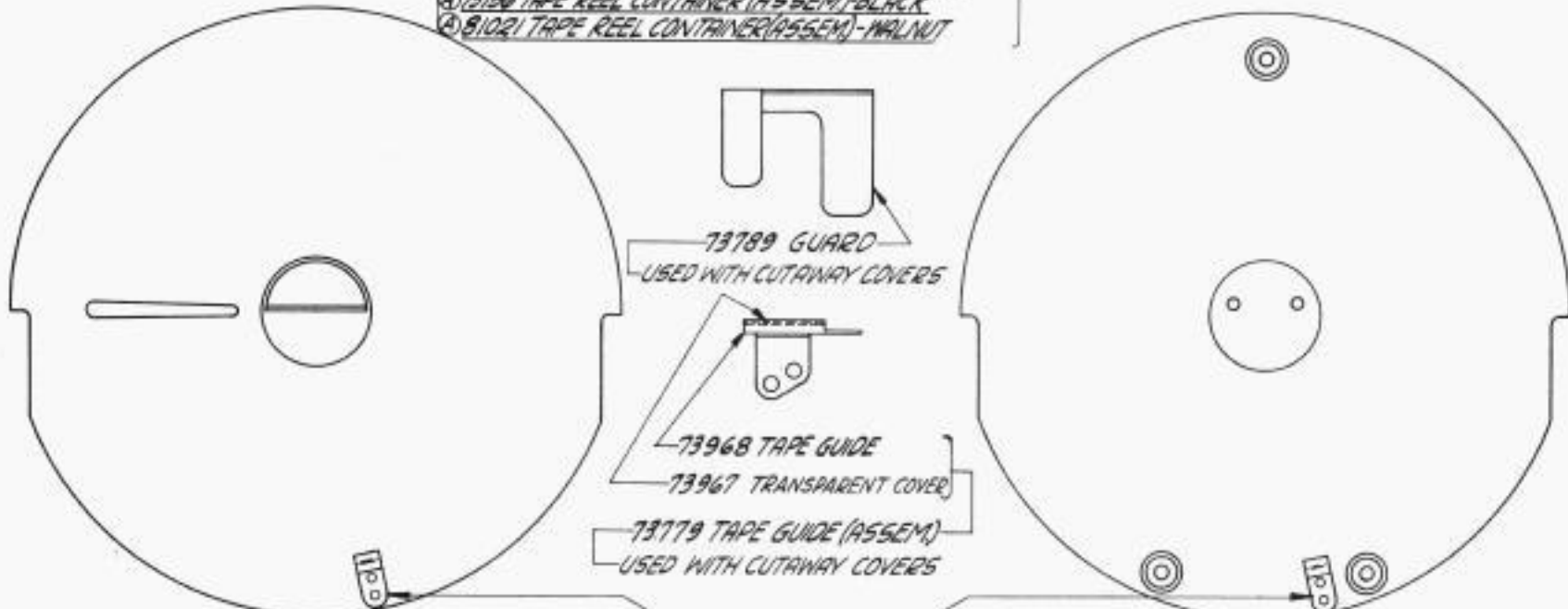
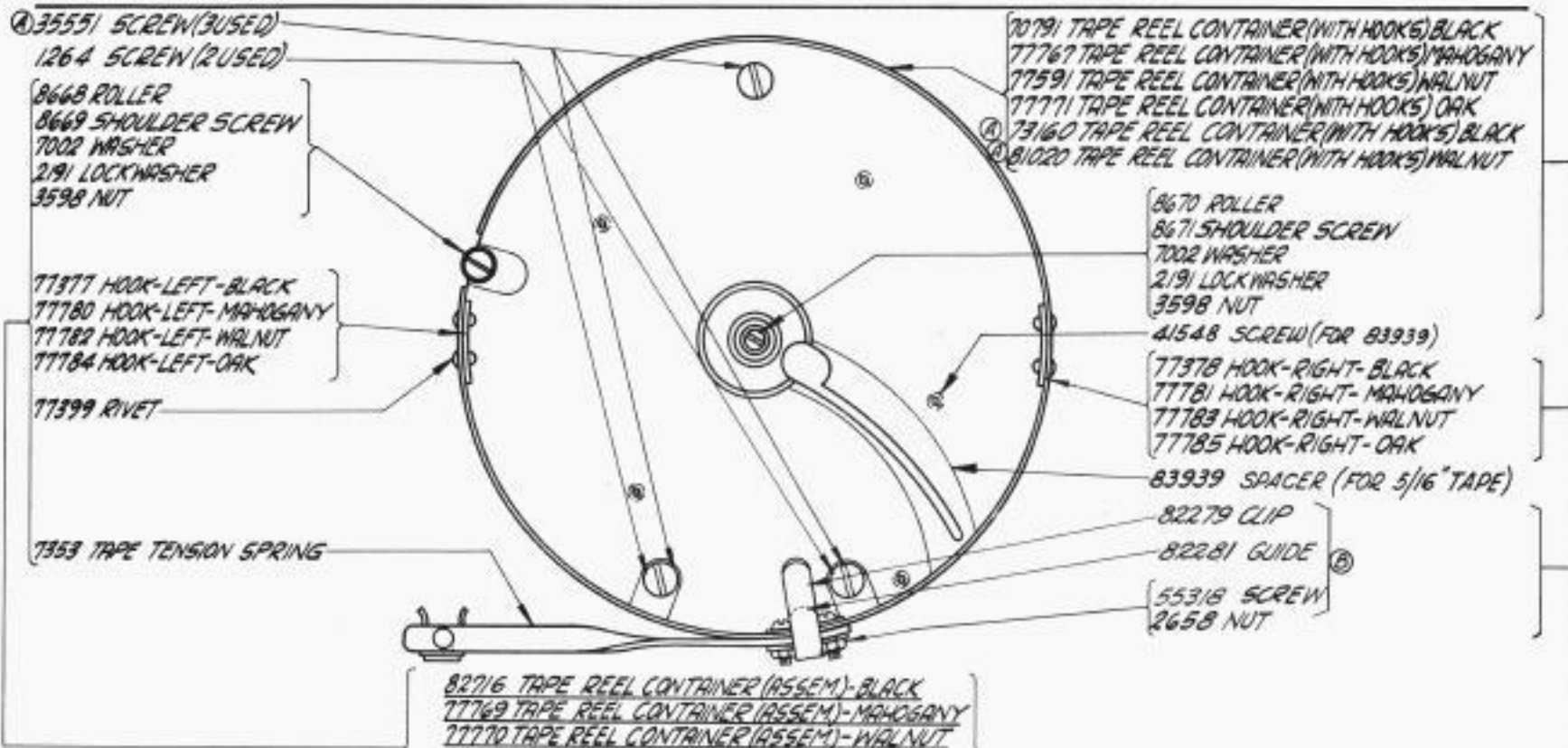


NAME PLATE	NUMBER	NAME PLATE	NUMBER	NAME PLATE	NUMBER
14-A TYPING UNIT	84435	14-W TYPING UNIT	89724	14-A TELETYPEWRITER BASE	84444
14-B TYPING UNIT	84436	14-Y TYPING UNIT	89725	14-B TELETYPEWRITER BASE	84445
14-C TYPING UNIT	84437	14-AA TYPING UNIT	(A) 89726	14-C TELETYPEWRITER BASE	84446
14-D TYPING UNIT	84438	14-AB TYPING UNIT	89727	14-D TELETYPEWRITER BASE	84447
14-E TYPING UNIT	84439	14-AD TYPING UNIT	89809	14-E TELETYPEWRITER BASE	84448
14-F TYPING UNIT	84440	14-AE TYPING UNIT	93052	14-F TELETYPEWRITER BASE	84449
14-G TYPING UNIT	84441			14-G TELETYPEWRITER BASE	84450
14-H TYPING UNIT	84442			14-H TELETYPEWRITER BASE	(A) 93053
14-J TYPING UNIT	(A) 84443			14-J TELETYPEWRITER BASE	89728
14-K TYPING UNIT	93051			14-K TELETYPEWRITER BASE	89729
14-L TYPING UNIT	89716			14-L TELETYPEWRITER BASE	89730
14-M TYPING UNIT	89717			14-M TELETYPEWRITER BASE	89731
14-N TYPING UNIT	89718			14-N TELETYPEWRITER BASE	89732
14-P TYPING UNIT	89719			14-P TELETYPEWRITER BASE	89733
14-R TYPING UNIT	89720				
14-S TYPING UNIT	89721				
14-T TYPING UNIT	89722			NAME PLATE (WITH WINDOW)	(A) 87693
14-U TYPING UNIT	89723				

(A) USES 83408 SCREW

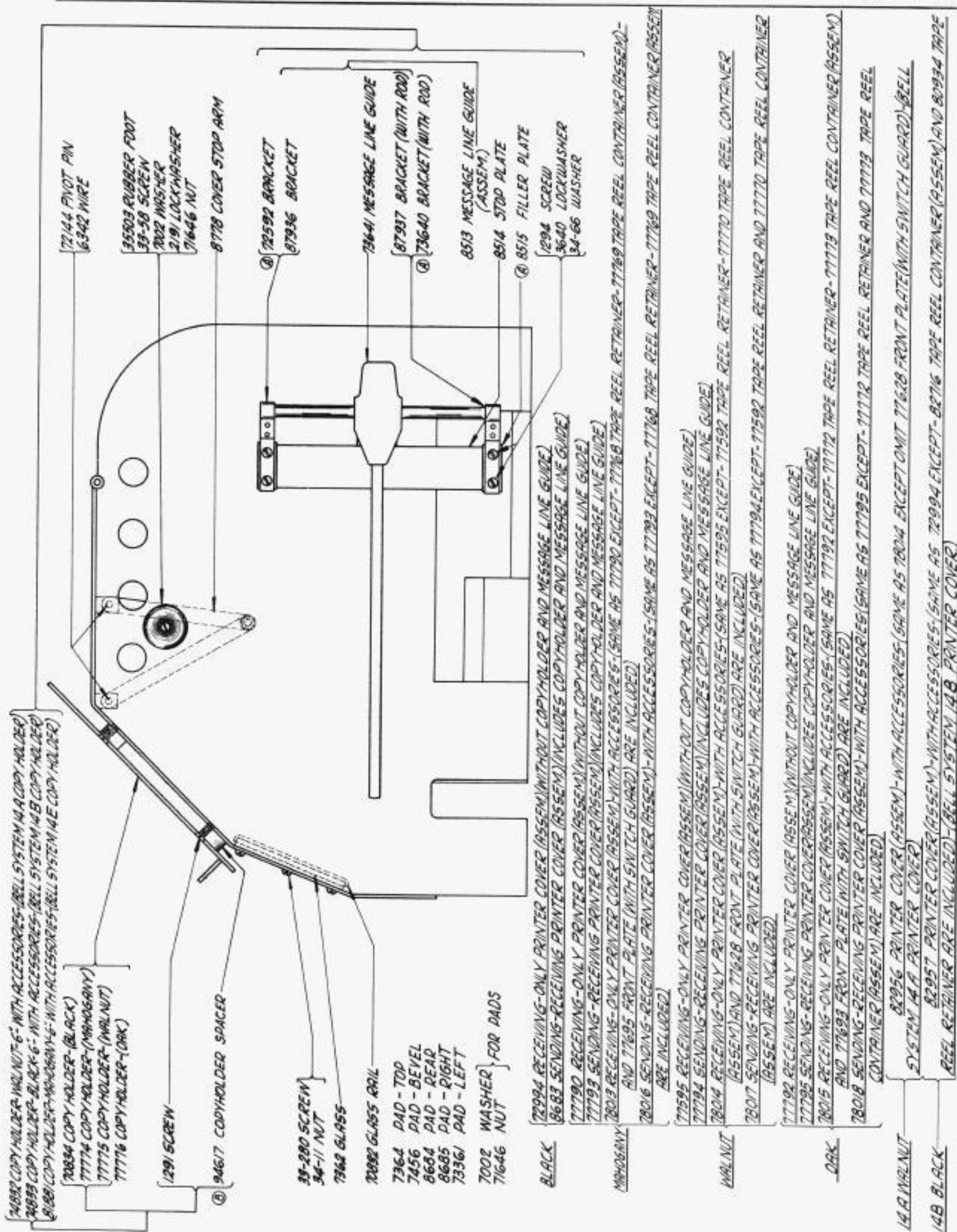
(B) USES { 78474 SCREW
34-11 NUT

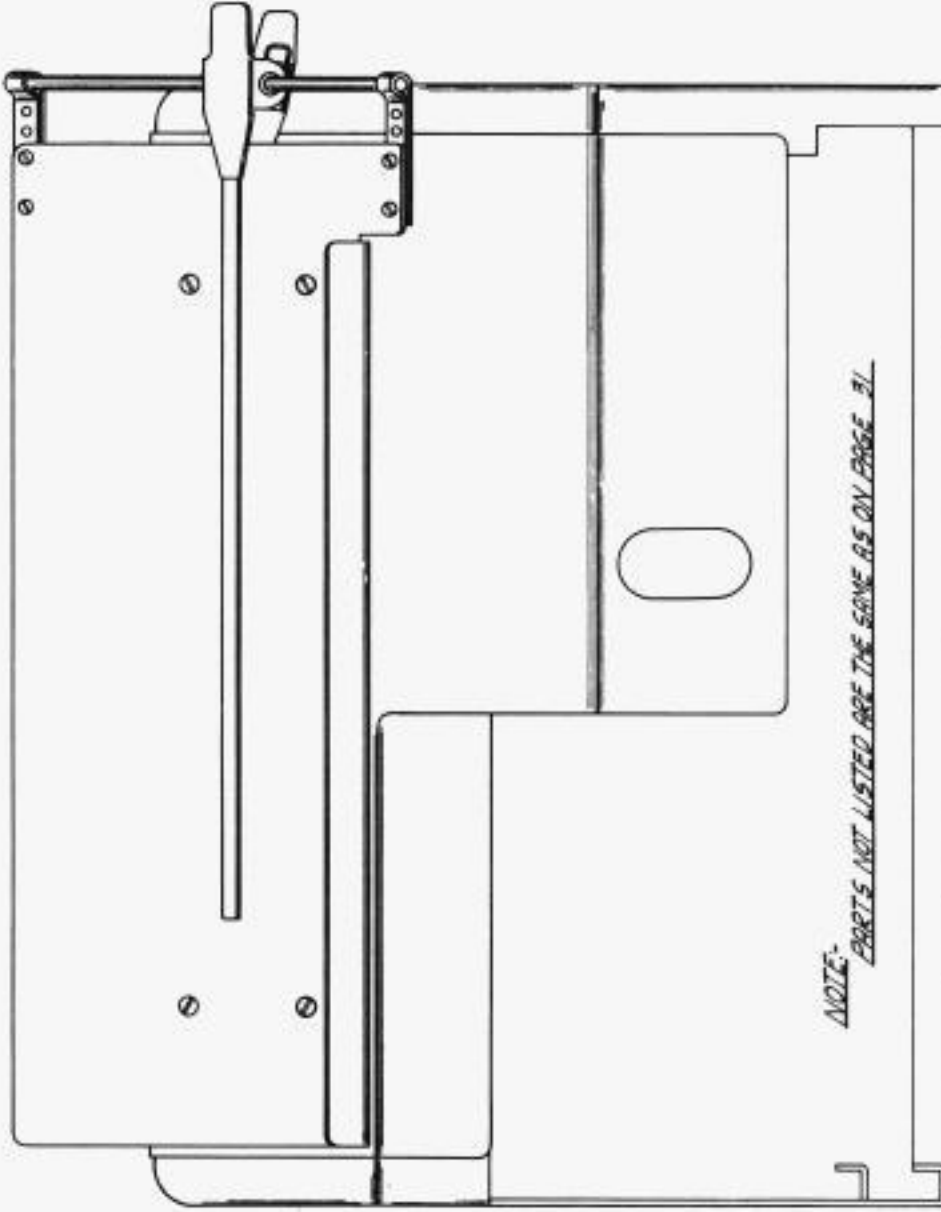
(A) 92003 NAME PLATE
3/621 WINDOW



Ⓐ USED FOR DOUBLE TAPE OPERATION

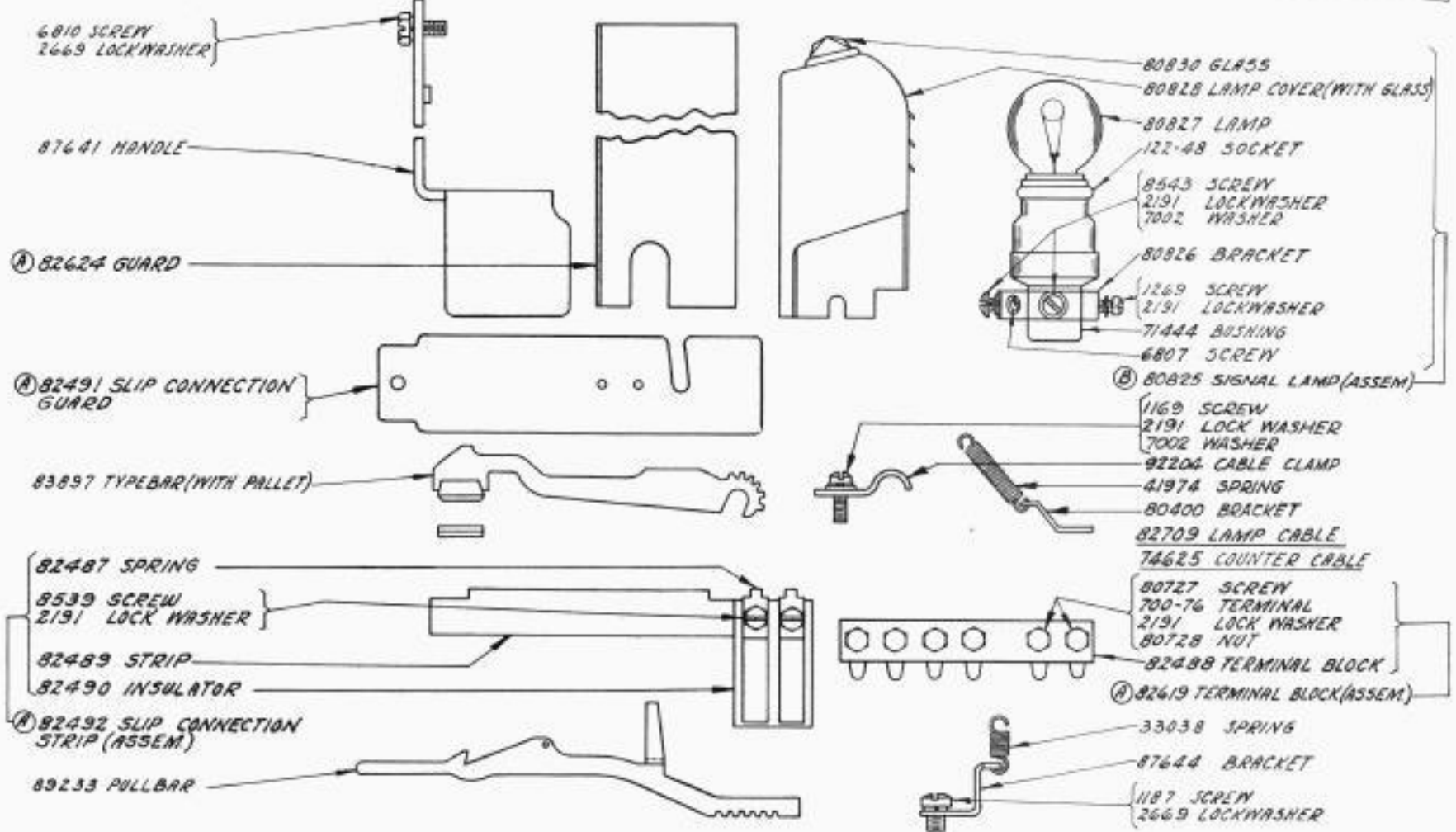
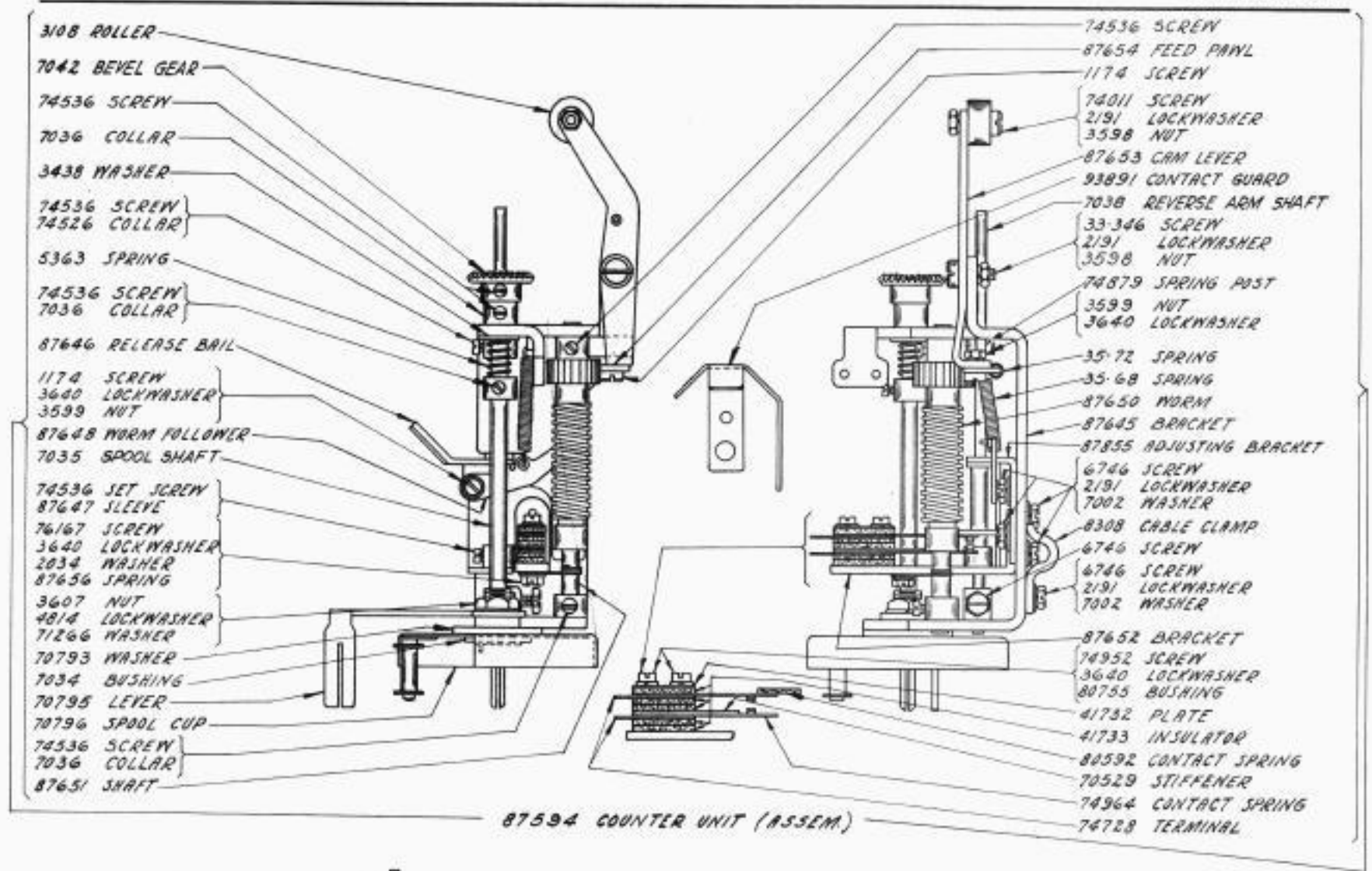
Ⓑ 83970 SET OF PARTS



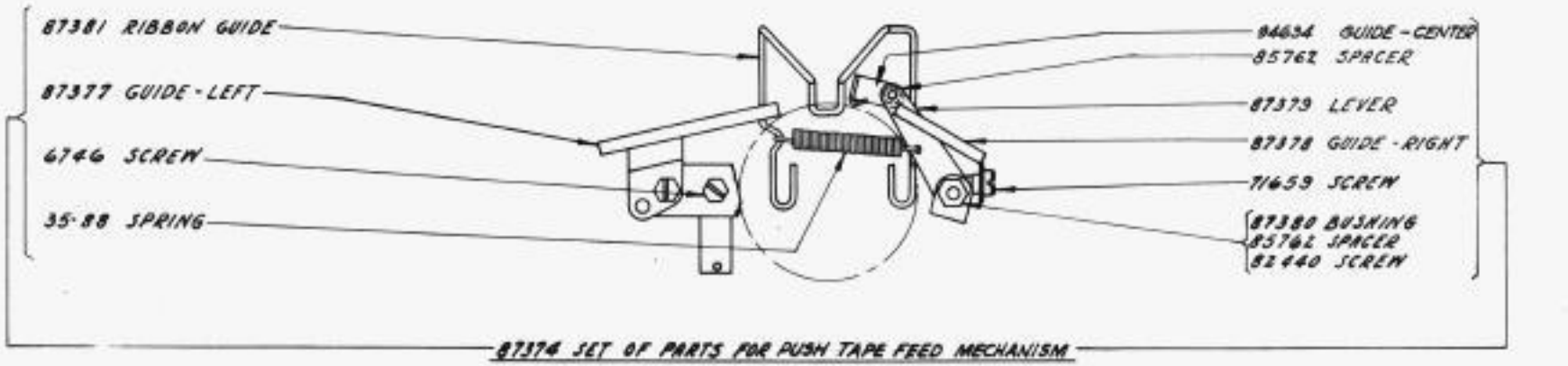
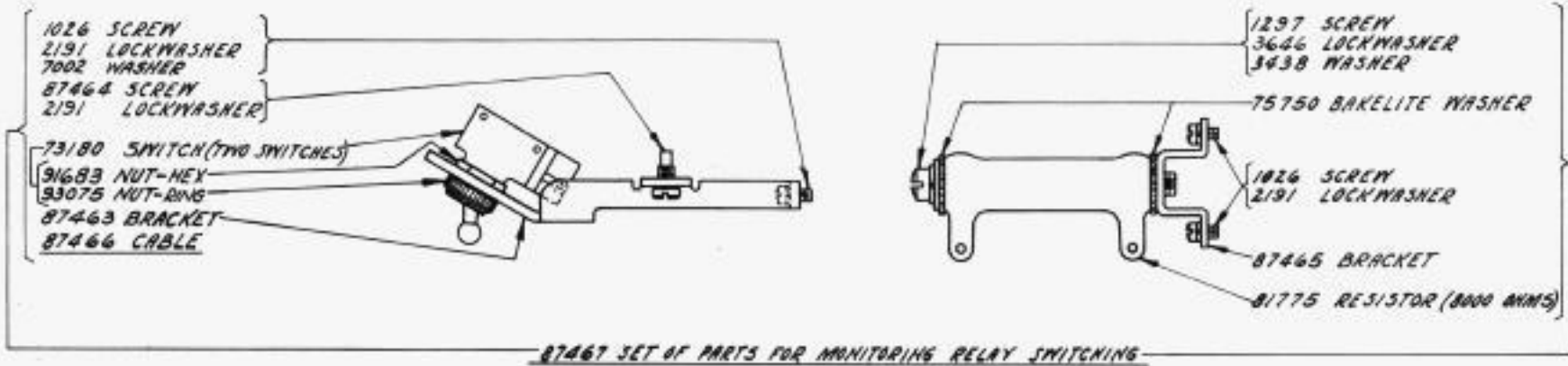
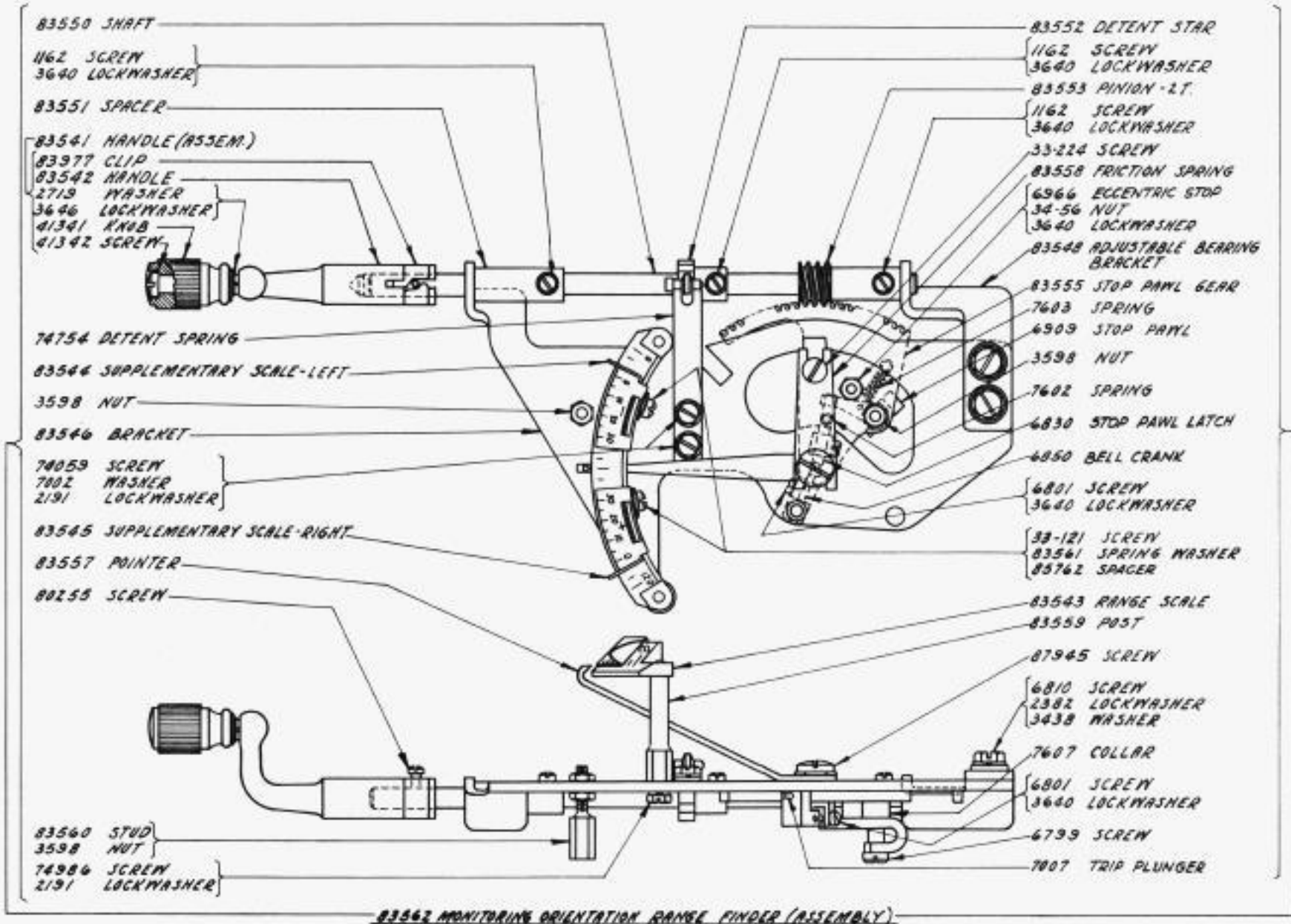


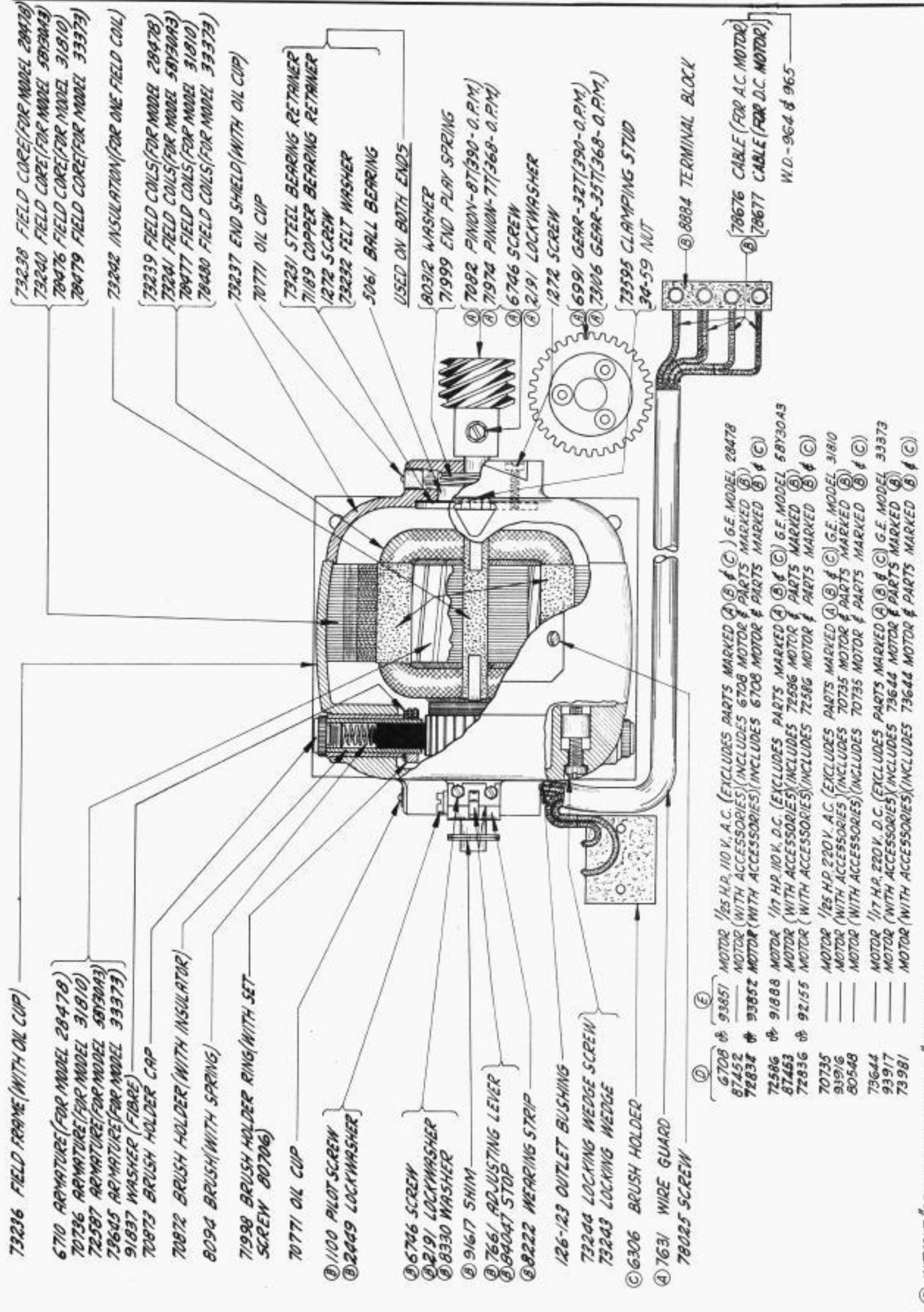
NOTE: PARTS NOT LISTED ARE THE SAME AS ON PAGE 31.

- BLACK - { 75520 RECEIVING-ONLY PRINTER CUTAWAY COVER (ASSEM) WITHOUT COPY HOLDER AND MESSAGE LINE GUIDE
75519 SENDING-RECEIVING PRINTER CUTAWAY COVER (ASSEM) INCLUDES COPY HOLDER AND MESSAGE LINE GUIDE
75521 RECEIVING-ONLY PRINTER CUTAWAY COVER (ASSEM) WITH ACCESSORIES (SAME AS 75520 EXCEPT- 73779 TAPE GUIDE (ASSEM) AND 73789 GUARD ARE INCLUDED)
73765 SENDING-RECEIVING PRINTER CUTAWAY COVER (ASSEM) WITH ACCESSORIES (SAME AS 75519 EXCEPT- 73779 TAPE GUIDE (ASSEM) AND 73789 GUARD ARE INCLUDED)
78286 RECEIVING-ONLY PRINTER CUTAWAY COVER (ASSEM) FOR 2" TAPE (WITHOUT COPY HOLDER AND MESSAGE LINE GUIDE) WITH 2663 RUBBER BUFFERS
77595 RECEIVING-ONLY PRINTER CUTAWAY COVER (ASSEM) WITHOUT COPY HOLDER AND MESSAGE LINE GUIDE
77586 RECEIVING-ONLY PRINTER CUTAWAY COVER (ASSEM) WITH ACCESSORIES (SAME AS 77585 EXCEPT- 73779 TAPE GUIDE (ASSEM)- 73789 GUARD- 77768 TAPE REEL RETAINER
§ 77769 TAPE REEL CONTAINER (ASSEM) ARE INCLUDED
- MAPLE - { 77588 RECEIVING-ONLY PRINTER CUTAWAY COVER (ASSEM) WITHOUT COPY HOLDER AND MESSAGE LINE GUIDE
80154 SENDING-RECEIVING PRINTER CUTAWAY COVER (ASSEM) INCLUDES COPY HOLDER AND MESSAGE LINE GUIDE
77589 RECEIVING-ONLY PRINTER CUTAWAY COVER (ASSEM) WITH ACCESSORIES (SAME AS 77588 EXCEPT- 73779 TAPE GUIDE (ASSEM)- 73789 GUARD- 77592 TAPE REEL RETAINER
§ 77770 TAPE REEL CONTAINER (ASSEM) ARE INCLUDED
- WALNUT - { 80580 SENDING-RECEIVING PRINTER CUTAWAY COVER (ASSEM) WITH ACCESSORIES (SAME AS 80154 EXCEPT- 73779 TAPE GUIDE (ASSEM)- 73789 GUARD- 77592 TAPE REEL RETAINER
§ 77770 TAPE REEL CONTAINER (ASSEM) ARE INCLUDED
- OAK - { 77787 RECEIVING-ONLY PRINTER CUTAWAY COVER (ASSEM) WITHOUT COPY HOLDER AND MESSAGE LINE GUIDE
77788 RECEIVING-ONLY PRINTER CUTAWAY COVER (ASSEM) WITH ACCESSORIES (SAME AS 77787 EXCEPT- 73779 TAPE GUIDE (ASSEM)- 73789 GUARD- 77772 TAPE REEL RETAINER AND 77773 TAPE REEL CONTAINER ARE INCLUDED
- WALNUT - 80990 RECEIVING-ONLY PRINTER CUTAWAY COVER (ASSEM) FOR 2" TAPE (WITHOUT COPY HOLDER AND MESSAGE LINE GUIDE) WITH 2663 RUBBER BUFFERS
14C WALNUT - 82958 PRINTER CUTAWAY COVER (ASSEM) WITH ACCESSORIES (SAME AS 77589 EXCEPT ADD 1264 CONTAINER MOUNTING SCREEN (BELL SYSTEM FAC PRINTER CUTAWAY COVER)
14D BLACK - 82959 PRINTER CUTAWAY COVER (ASSEM) WITH ACCESSORIES (SAME AS 75521 EXCEPT 82716 TAPE REEL CONTAINER (ASSEM) AND 80994 TAPE REEL RETAINER ARE INCLUDED) (BELL SYSTEM 14D PRINTER CUTAWAY COVER)
- BLACK - { 83401 PRINTER CUTAWAY COVER (ASSEM) WITH ACCESSORIES (SAME AS 75520 EXCEPT 82961 TAPE REEL RETAINER 82716 TAPE REEL CONTAINER (ASSEM) AND 1264 TAPE REEL CONTAINER MOUNTING SCREENS ARE INCLUDED



89960 SET OF PARTS FOR MECHANICAL END OF LINE INDICATOR (INCLUDES ALL PARTS SHOWN ON THIS PAGE)
 87593 SET OF PARTS FOR MECHANICAL END OF LINE INDICATOR (EXCLUDES PARTS MARKED (A))
 88099 SET OF PARTS FOR MECHANICAL END OF LINE INDICATOR (EXCLUDES PARTS MARKED (A) & (B))





73236 FIELD FRAME (WITH OIL CUP)
 6710 ARMATURE (FOR MODEL 28478)
 70735 ARMATURE (FOR MODEL 31810)
 72587 ARMATURE (FOR MODEL 58Y3043)
 79645 ARMATURE (FOR MODEL 33373)
 91837 WASHER (FIBRE)
 70873 BRUSH HOLDER CAP
 70872 BRUSH HOLDER (WITH INSULATOR)
 8094 BRUSH (WITH SPRING)
 71998 BRUSH HOLDER RING (WITH SET SCREW 80706)
 70771 OIL CUP

73238 FIELD CORE (FOR MODEL 28478)
 73240 FIELD CORE (FOR MODEL 58Y3043)
 78476 FIELD CORE (FOR MODEL 31810)
 78479 FIELD CORE (FOR MODEL 33373)
 73242 INSULATION (FOR ONE FIELD COIL)
 73239 FIELD COILS (FOR MODEL 28478)
 73241 FIELD COILS (FOR MODEL 58Y3043)
 78477 FIELD COILS (FOR MODEL 31810)
 78480 FIELD COILS (FOR MODEL 33373)
 73237 END SHIELD (WITH OIL CUP)
 70771 OIL CUP

79231 STEEL BEARING RETAINER
 7189 COPPER BEARING RETAINER
 1272 SCREW
 73232 FELT WASHER
 5061 BALL BEARING
 USED ON BOTH ENDS
 80312 WASHER
 71999 END PLAY SPRING
 7082 PINION-8T (390-0.P.M.)
 71974 PINION-7T (368-0.P.M.)
 6746 SCREW
 2191 LOCKWASHER
 1272 SCREW
 699/ GEAR-32T (390-0.P.M.)
 7306 GEAR-35T (368-0.P.M.)
 73595 CLAMPING STUD
 34-59 NUT
 8884 TERMINAL BLOCK
 78676 CABLE (FOR A.C. MOTOR)
 78677 CABLE (FOR D.C. MOTOR)
 W.D.-964 & 965

70771 OIL CUP
 1100 PILOT SCREW
 2049 LOCKWASHER
 6746 SCREW
 2191 LOCKWASHER
 8330 WASHER
 91617 SHIM
 766/ ADJUSTING LEVER
 84047 STOP
 8222 WEARING STRIP
 126-123 OUTLET BUSHING
 73244 LOCKING WEDGE SCREW
 73243 LOCKING WEDGE
 6306 BRUSH HOLDER
 7631 WIRE GUARD
 78025 SCREW

73236 FIELD FRAME (WITH OIL CUP)
 6710 ARMATURE (FOR MODEL 28478)
 70735 ARMATURE (FOR MODEL 31810)
 72587 ARMATURE (FOR MODEL 58Y3043)
 79645 ARMATURE (FOR MODEL 33373)
 91837 WASHER (FIBRE)
 70873 BRUSH HOLDER CAP
 70872 BRUSH HOLDER (WITH INSULATOR)
 8094 BRUSH (WITH SPRING)
 71998 BRUSH HOLDER RING (WITH SET SCREW 80706)
 70771 OIL CUP

73238 FIELD CORE (FOR MODEL 28478)
 73240 FIELD CORE (FOR MODEL 58Y3043)
 78476 FIELD CORE (FOR MODEL 31810)
 78479 FIELD CORE (FOR MODEL 33373)
 73242 INSULATION (FOR ONE FIELD COIL)
 73239 FIELD COILS (FOR MODEL 28478)
 73241 FIELD COILS (FOR MODEL 58Y3043)
 78477 FIELD COILS (FOR MODEL 31810)
 78480 FIELD COILS (FOR MODEL 33373)
 73237 END SHIELD (WITH OIL CUP)
 70771 OIL CUP

79231 STEEL BEARING RETAINER
 7189 COPPER BEARING RETAINER
 1272 SCREW
 73232 FELT WASHER
 5061 BALL BEARING
 USED ON BOTH ENDS
 80312 WASHER
 71999 END PLAY SPRING
 7082 PINION-8T (390-0.P.M.)
 71974 PINION-7T (368-0.P.M.)
 6746 SCREW
 2191 LOCKWASHER
 1272 SCREW
 699/ GEAR-32T (390-0.P.M.)
 7306 GEAR-35T (368-0.P.M.)
 73595 CLAMPING STUD
 34-59 NUT
 8884 TERMINAL BLOCK
 78676 CABLE (FOR A.C. MOTOR)
 78677 CABLE (FOR D.C. MOTOR)
 W.D.-964 & 965

70771 OIL CUP
 1100 PILOT SCREW
 2049 LOCKWASHER
 6746 SCREW
 2191 LOCKWASHER
 8330 WASHER
 91617 SHIM
 766/ ADJUSTING LEVER
 84047 STOP
 8222 WEARING STRIP
 126-123 OUTLET BUSHING
 73244 LOCKING WEDGE SCREW
 73243 LOCKING WEDGE
 6306 BRUSH HOLDER
 7631 WIRE GUARD
 78025 SCREW

73236 FIELD FRAME (WITH OIL CUP)
 6710 ARMATURE (FOR MODEL 28478)
 70735 ARMATURE (FOR MODEL 31810)
 72587 ARMATURE (FOR MODEL 58Y3043)
 79645 ARMATURE (FOR MODEL 33373)
 91837 WASHER (FIBRE)
 70873 BRUSH HOLDER CAP
 70872 BRUSH HOLDER (WITH INSULATOR)
 8094 BRUSH (WITH SPRING)
 71998 BRUSH HOLDER RING (WITH SET SCREW 80706)
 70771 OIL CUP

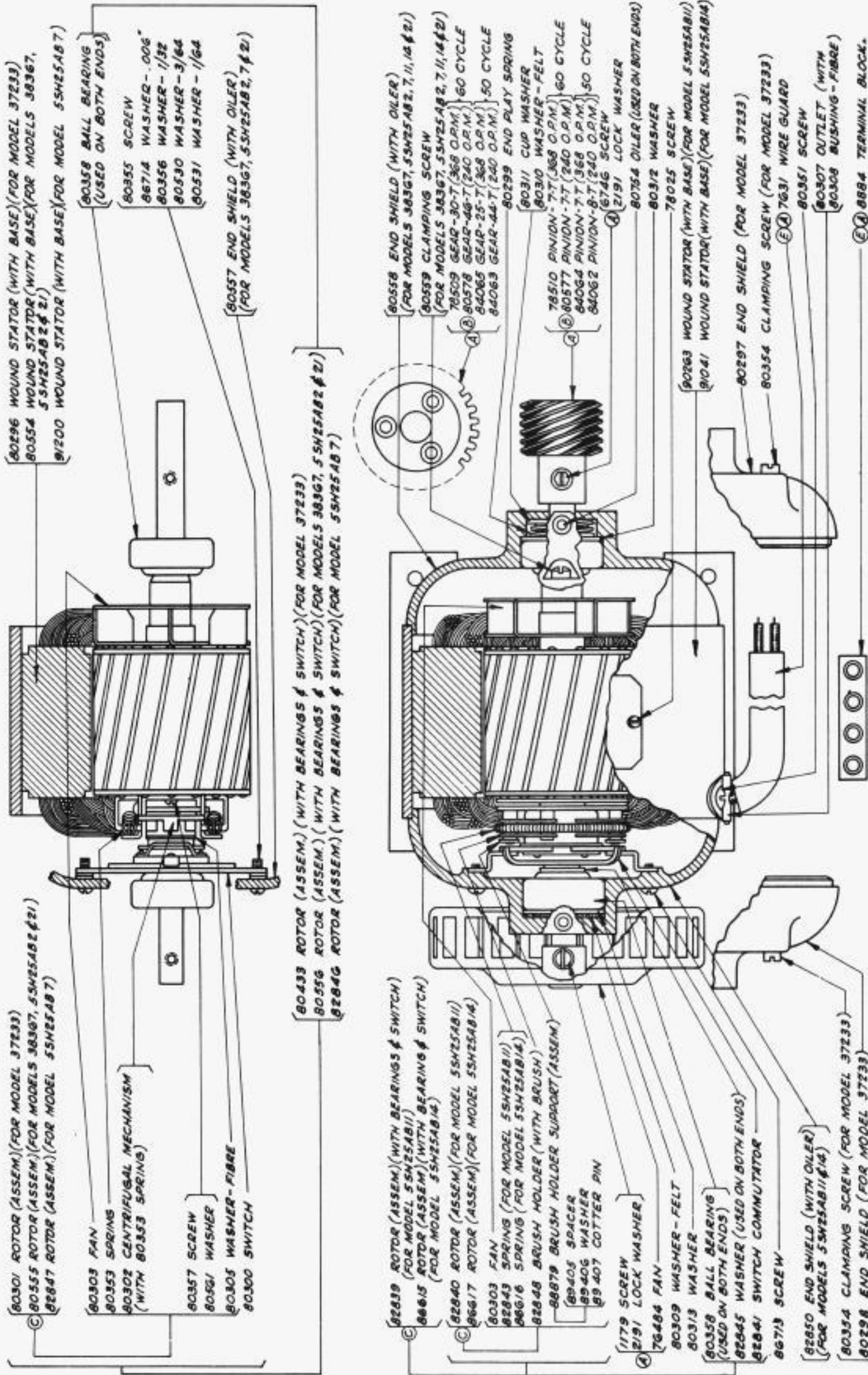
73238 FIELD CORE (FOR MODEL 28478)
 73240 FIELD CORE (FOR MODEL 58Y3043)
 78476 FIELD CORE (FOR MODEL 31810)
 78479 FIELD CORE (FOR MODEL 33373)
 73242 INSULATION (FOR ONE FIELD COIL)
 73239 FIELD COILS (FOR MODEL 28478)
 73241 FIELD COILS (FOR MODEL 58Y3043)
 78477 FIELD COILS (FOR MODEL 31810)
 78480 FIELD COILS (FOR MODEL 33373)
 73237 END SHIELD (WITH OIL CUP)
 70771 OIL CUP

79231 STEEL BEARING RETAINER
 7189 COPPER BEARING RETAINER
 1272 SCREW
 73232 FELT WASHER
 5061 BALL BEARING
 USED ON BOTH ENDS
 80312 WASHER
 71999 END PLAY SPRING
 7082 PINION-8T (390-0.P.M.)
 71974 PINION-7T (368-0.P.M.)
 6746 SCREW
 2191 LOCKWASHER
 1272 SCREW
 699/ GEAR-32T (390-0.P.M.)
 7306 GEAR-35T (368-0.P.M.)
 73595 CLAMPING STUD
 34-59 NUT
 8884 TERMINAL BLOCK
 78676 CABLE (FOR A.C. MOTOR)
 78677 CABLE (FOR D.C. MOTOR)
 W.D.-964 & 965

- ① 6708 MOTOR 1/25 H.P. 110 V. A.C. (EXCLUDES PARTS MARKED A, B & C) (INCLUDES PARTS MARKED B) G.E. MODEL 28478
- ① 87452 MOTOR (WITH ACCESSORIES) (INCLUDES 6708 MOTOR & PARTS MARKED B) G.E. MODEL 28478
- ① 72834 MOTOR (WITH ACCESSORIES) (INCLUDES 6708 MOTOR & PARTS MARKED B & C) G.E. MODEL 28478
- ① 72586 MOTOR 1/17 H.P. 110 V. D.C. (EXCLUDES PARTS MARKED A, B & C) (INCLUDES PARTS MARKED B) G.E. MODEL 58Y3043
- ① 87453 MOTOR (WITH ACCESSORIES) (INCLUDES 72586 MOTOR & PARTS MARKED B) G.E. MODEL 58Y3043
- ① 72836 MOTOR (WITH ACCESSORIES) (INCLUDES 72586 MOTOR & PARTS MARKED B & C) G.E. MODEL 58Y3043
- ① 70735 MOTOR 1/25 H.P. 220 V. A.C. (EXCLUDES PARTS MARKED A, B & C) (INCLUDES PARTS MARKED B) G.E. MODEL 31810
- ① 93916 MOTOR (WITH ACCESSORIES) (INCLUDES 70735 MOTOR & PARTS MARKED B) G.E. MODEL 31810
- ① 80548 MOTOR (WITH ACCESSORIES) (INCLUDES 70735 MOTOR & PARTS MARKED B & C) G.E. MODEL 31810
- ① 73644 MOTOR 1/17 H.P. 220 V. D.C. (EXCLUDES PARTS MARKED A, B & C) (INCLUDES PARTS MARKED B) G.E. MODEL 33373
- ① 93917 MOTOR (WITH ACCESSORIES) (INCLUDES 73644 MOTOR & PARTS MARKED B) G.E. MODEL 33373
- ① 73981 MOTOR (WITH ACCESSORIES) (INCLUDES 73644 MOTOR & PARTS MARKED B & C) G.E. MODEL 33373

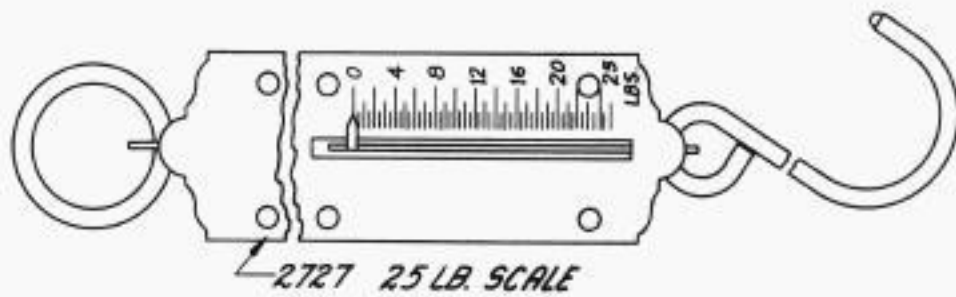
② WITHOUT "BELL SYSTEM SERVICE" NAME PLATE

③ WITH 89946 "BELL SYSTEM SERVICE" NAME PLATE & 91685 SCREWS

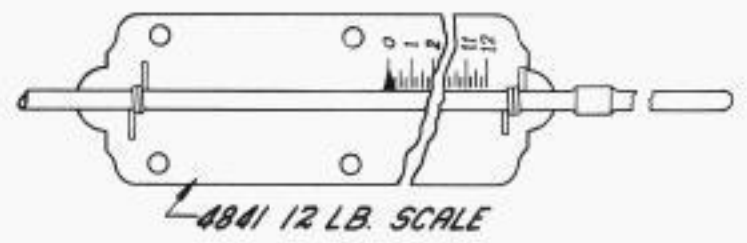


② 82283 & 91892 SYNCHRONOUS MOTOR 1/40 H.P., 110 V., 60 CYCLE, A.C. (EXCLUDES PARTS MARKED A) G.E. MODEL 55H25AB11
 78626 & 92156 SYNCHRONOUS MOTOR (WITH ACCESSORIES) (INCLUDES 82283 MOTOR & PARTS MARKED E)
 82714 & 91894 SYNCHRONOUS MOTOR 1/40 H.P., 110 V., 50 CYCLE, A.C. (EXCLUDES PARTS MARKED A) G.E. MODEL 55H25AB14

F WITHOUT "BELL SYSTEM SERVICE" NAME PLATE
 G WITH 89946 "BELL SYSTEM SERVICE" NAME PLATE & 91685 SCREWS
 NOTE: (B) (C) (D) SEE PAGE 51 FOR EXPLANATION.



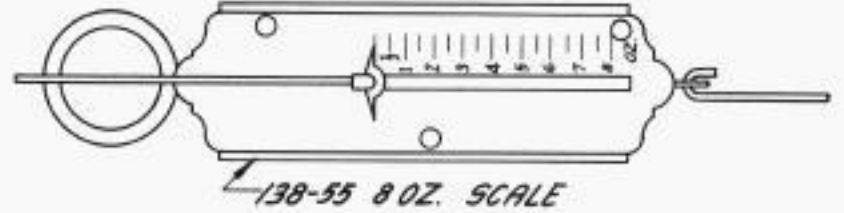
2727 25 LB. SCALE



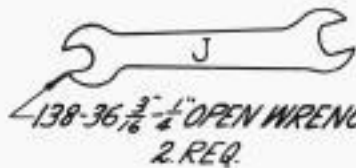
4841 12 LB. SCALE



138-58 32 OZ. SCALE



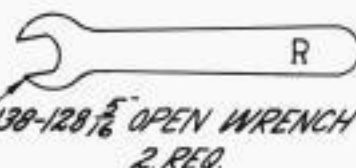
138-55 8 OZ. SCALE



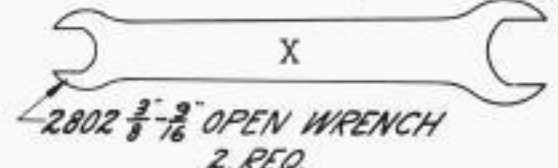
138-36 3/16 - 1/4" OPEN WRENCH
2 REQ.



138-34 1/4" OPEN WRENCH



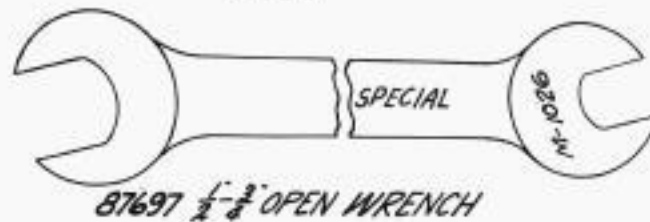
138-128 5/16" OPEN WRENCH
2 REQ.



2802 3/8 - 7/16" OPEN WRENCH
2 REQ.



4838 3/8 - 7/16" OPEN WRENCH
2 REQ.



87697 1/2 - 3/4" OPEN WRENCH



74871 3/8" OPEN WRENCH



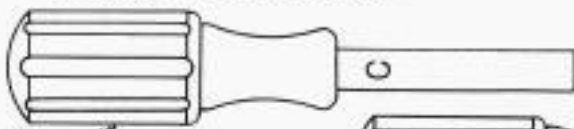
138-23 3/16" SOCKET WRENCH



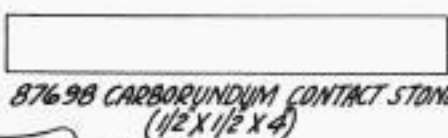
138-22 SCREW DRIVER



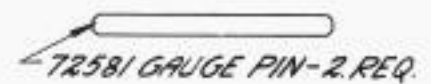
88993 CONTACT BURNISHER



89954 1/4" SOCKET WRENCH



87698 CARBORUNDUM CONTACT STONE
(1/2 X 1/2 X 4)



72581 GAUGE PIN-2 REQ.



89955 5/16" SOCKET WRENCH



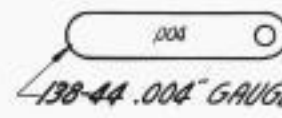
75766 SPECIAL TOOL



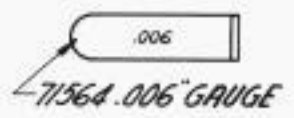
72574 LOCKING BAIL FINGER HOLDING TOOL



138-43 .002" GAUGE



138-44 .004" GAUGE



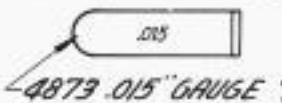
71564 .006" GAUGE



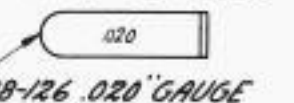
72003 CONTACT SPRING BENDER



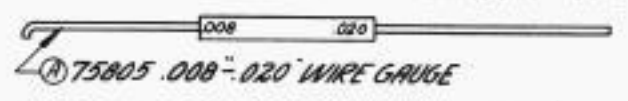
138-125 .010" GAUGE



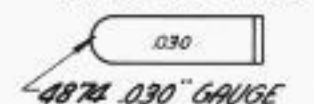
4873 .015" GAUGE



138-126 .020" GAUGE



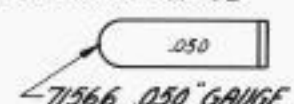
72575 LOCKING BAIL FINGER BENDING TOOL



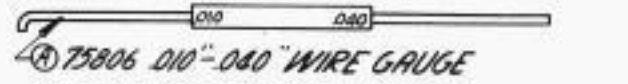
4874 .030" GAUGE



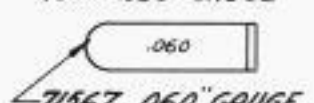
71565 .040" GAUGE



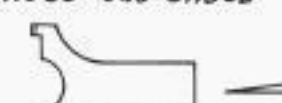
71566 .050" GAUGE



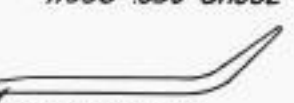
75805 .008"-.020" WIRE GAUGE



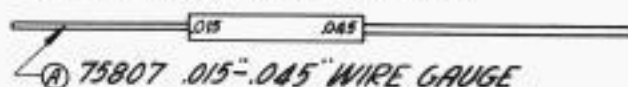
71567 .060" GAUGE



79370 GAUGE



6617 TOMMY
2 REQ.



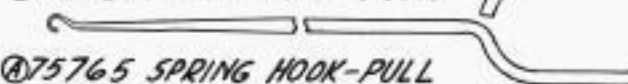
75806 .010"-.040" WIRE GAUGE



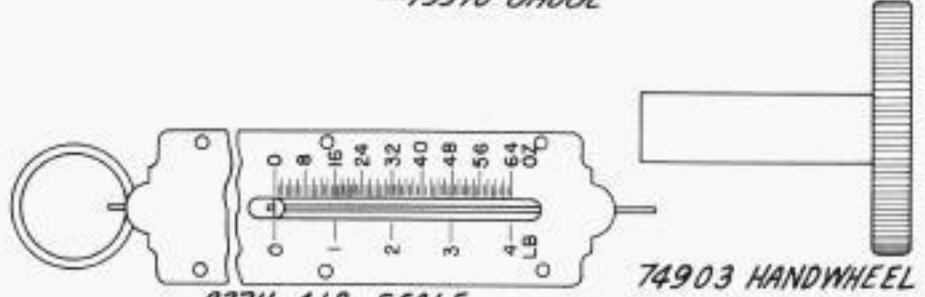
75807 .015"-.045" WIRE GAUGE



75503 SPRING HOOK-PUSH



75765 SPRING HOOK-PULL



82711 4 LB. SCALE

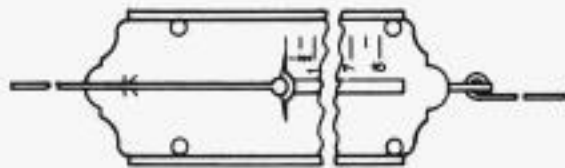
74903 HANDWHEEL

75809 SET OF GAUGES (WITH CASE)
(INCLUDES 75805, 75806, 75807, 75765, 75503, 91117 & 75808 CASE)
75808 CASE FOR 75805, 75806, 75807, 75765, 75503 & 91117



91117 CONTACT FILE

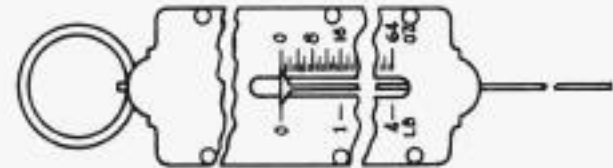
77618 CASE FOR SMALL TOOLS



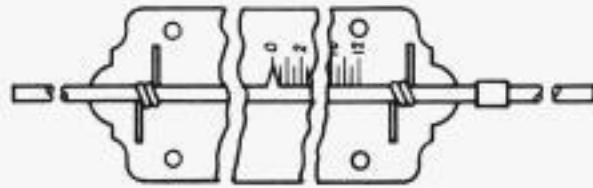
138-55 SCALE - 8 OZS.



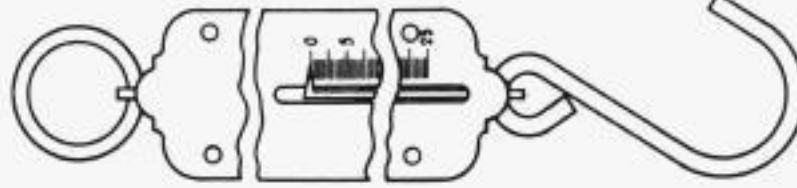
138-58 SCALE - 2 LBS.



8271 SCALE - 4 LBS.



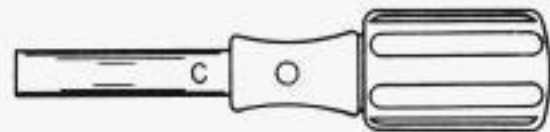
4841 SCALE - 12 LBS.



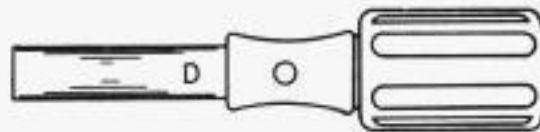
2727 SCALE - 25 LBS.



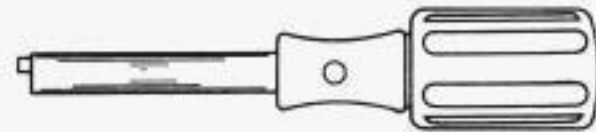
74903 HANDWHEEL



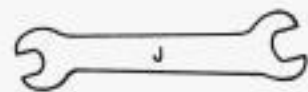
89954 SOCKET WRENCH - 1/4"



89955 SOCKET WRENCH - 5/16"



90783 ADJUSTING WRENCH



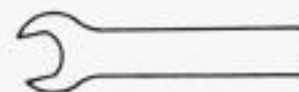
138-36 OPEN WRENCH - 3/16"
2 REQUIRED



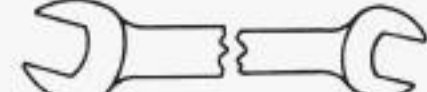
138-34 OPEN WRENCH - 1/4"



95367 OPEN WRENCH - 1/4"
2 REQUIRED



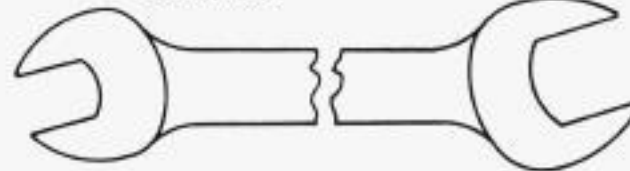
74871 OPEN WRENCH - 3/8"



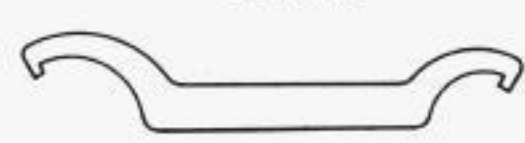
4838 OPEN WRENCH - 3/8"
2 REQUIRED



95366 OPEN WRENCH - 3/8"
2 REQUIRED



87697 OPEN WRENCH - 1/2"



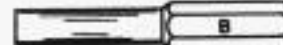
76280 CAPSTAN WRENCH



91117 CONTACT FILE



72581 GAUGE PIN
2 REQUIRED



138-23 SOCKET WRENCH - 3/16"



95368 SCREW DRIVER



88993 CONTACT BURNISHER



87698 CARBORUNDUM CONTACT STONE



6617 TOMMY
2 REQUIRED



91968 OFFSET SCREW DRIVER



72575 LOCKING BAIL FINGER BENDING TOOL



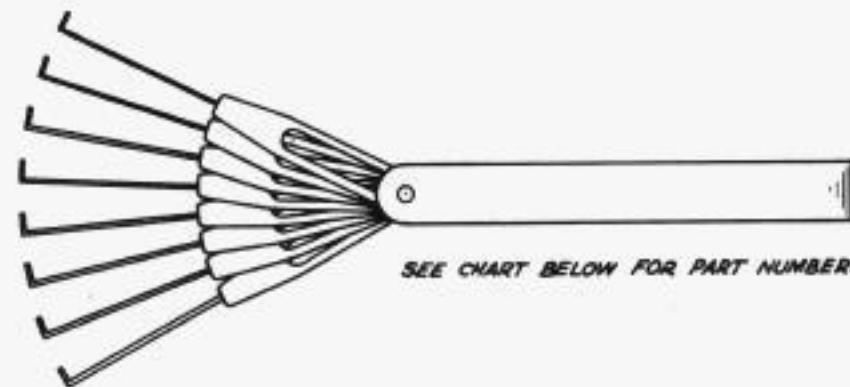
72574 LOCKING BAIL FINGER HOLDING TOOL



72003 CONTACT SPRING BENDER



73370 GAUGE



SEE CHART BELOW FOR PART NUMBERS

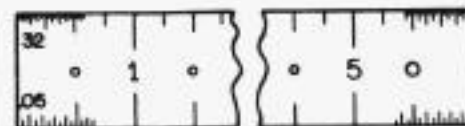


75503 SPRING HOOK - PUSH



75765 SPRING HOOK - PULL

GAUGE PART NO.	SIZE	GAUGE PART NO.	SIZE	GAUGE PART NO.	SIZE	GAUGE PART NO.	SIZE	GAUGE PART NO.	SIZE	GAUGE PART NO.	SIZE	GAUGE PART NO.	SIZE	GAUGE PART NO.	SIZE	HOLDER PART NO.	ASSEM. NO.
96356	.002	96358	.002	93833	.003	93822	.004	93823	.005	96360	.006	96362	.007	96364	.010	93814	96355
96369	.008	96371	.008	96373	.010	93828	.012	96375	.015	93824	.018	96377	.020	93825	.025	93814	96368
93811	.030	96383	.035	98136	.037	96385	.040	96389	.045	96391	.050	93827	.055	96393	.060	96380	96379
96399	.065	96401	.070	96403	.075	96405	.080									96396	96395



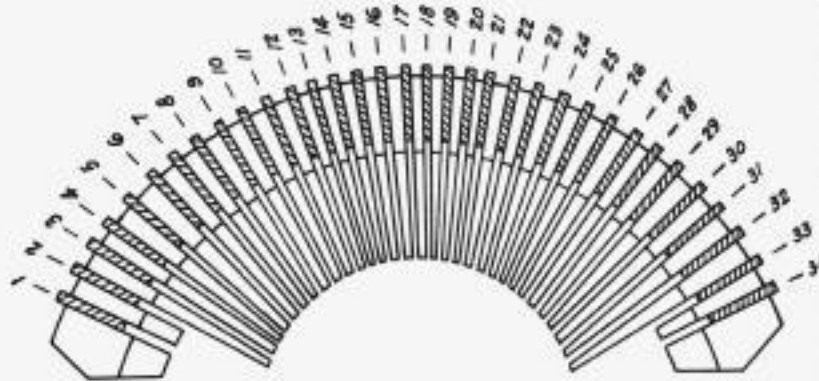
95960 TAPE GAUGE

77618 CASE FOR SMALL TOOLS

(A) = STEEL (B) = BRASS

FOR 3/8" WIDE TAPE

CODE BARS	
NO. STAMPED ON CODE BAR	CATALOG NO.
1 B	8453
2 C	70799
3 C	70800
4 C	70801
5 B	8529



NOTE -
CHECK CAREFULLY THE POSITION OF THE PULL BARS IN SEGMENT AND THE ARRANGEMENT OF THE TYPE PALLETS ON THE TYPE BARS. IF THESE DIFFER IN ANY WAY WITH THE ARRANGEMENT SHOWN ON THIS PAGE, THE PARTS SHOULD BE ORDERED BY NAME.
FOR EXAMPLE ORDER:
TYPE PALLET _____ (A-)
TYPE BAR #12 (WITH PALLET) _____ (A-)
SPRING CUSHION KEYPAD _____ (A-)
PNEUMATIC KEYPAD _____ (A-)

NUMBER OF POSITION IN SEGMENT	PULL & FUNCTION BAR		TYPE BAR WITHOUT PALLET		TYPE BAR PALLET		TYPE BAR WITH PALLET	PULL & FUNCTION BAR SPRING	KEYTOP DESCRIPTION	PNEUMATIC KEYPAD	SPRING CUSHION KEYPAD
	CATALOG NUMBER	DESCRIPTION	CATALOG NUMBER	NUMBER STAMPED ON BAR	CATALOG NUMBER	DESCRIPTION					
1	6916	SPACE						7965			
2	6916	LTRS. SHIFT						7965	LTRS	3082	78973
3	8457	BELL ON SHIFTER						7825	S BELL	8177	78980
4	8458	"S" PULL BAR	7421	1	8289	S ♯	72933	7634	S BELL	8177	78980
5	6692	STANDARD	7422	2	7282	X /	70952	7634	X /	3077	78968
6	6692	"	7423	3	7275	Q J	70953	7634	Q J	3070	78962
7	6692	"	7424	4	81709	V 3/8		7634	V 3/8	3075	78966
7	6692	"	7424	4	78503	V 3/8	82244	7634	V 3/8	3075	78966
7	6692	"	7424	4	72688	V 3/8	72934	7634	V 3/8	72704	78985
7	6692	"	7424	4	75555	V 3/8	75564	7634	V 3/8	72704	78985
7	6692	"	7424	4	84571	V O	84984	7634	V O	82763	89424
8	6692	"	7425	5	7265	G &	70955	7634	G &	3080	78952
8	6692	"	7425	5	84570	G \	84983	7634	G \	82755	89417
9	6692	"	7426	6	7261	W 2	70956	7634	W 2	3076	78967
10	6692	"	7427	7	81705	F 1/4		7634	F 1/4	3059	78951
10	6692	"	7427	7	8288	F /	72935	7634	F /	3059	78951
10	6692	"	7427	7	72689	F 1/4	72936	7634	F 1/4	71053	78982
10	6692	"	7427	7	75556	F 1/4	75565	7634	F 1/4	71053	78982
10	6692	"	7427	7	84569	F →	84982	7634	F →	82754	89416
11	6692	"	7428	8	81708	C 1/8		7634	C 1/8	3056	78948
11	6692	"	7428	8	78502	C :	82243	7634	C :	3056	78948
11	6692	"	7428	8	72690	C 1/8	72937	7634	C 1/8	71995	78984
11	6692	"	7428	8	75557	C 1/8	75566	7634	C 1/8	71995	78984
11	6692	"	7428	8	84568	C O	84981	7634	C O	82762	89423
12	6692	"	7429	9	7262	D \$	70959	7634	D \$	3057	78949
12	6692	"	7429	9	84567	D ♯	84980	7634	D ♯	82753	89415
13	6692	"	7430	10	7276	R 4	70960	7634	R 4	3071	78963

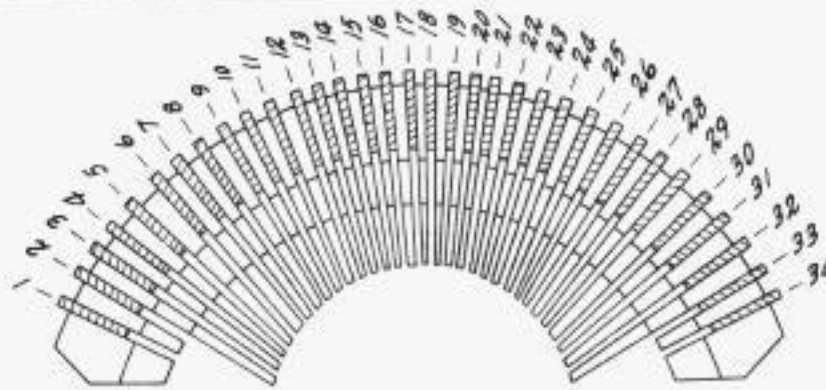
CONTINUED ON NEXT PAGE

FOR 3/8" WIDE TAPE

CONTINUED FROM PAGE 40

NUMBER OF POSITION IN SEGMENT	PULL & FUNCTION BAR		TYPE BAR WITHOUT PALLET		TYPE BAR PALLET		TYPE BAR WITH PALLET	PULL & FUNCTION BAR SPRING	KEYTOP DESCRIPTION	PNEUMATIC KEYTOP	SPRING CUSHION KEYTOP
	CATALOG NUMBER	DESCRIPTION	CATALOG NUMBER	NUMBER STAMPED ON BAR	CATALOG NUMBER	DESCRIPTION					
14	6692	STANDARD	7431	//	8287	J †	72938	7634	J †	3063	78955
14	6692	"	7431	//	82503	J †	82837	7634	J †	75691	78993
14	6692	"	7431	//	84566	J †	84979	7634	J †	82757	89419
14	6692	"	7431	//	8287	J †	72938	7634	J 56L	7640	80552
15	6692	"	7432	12	7259	A -	70962	7634	A -	3054	78946
15	6692	"	7432	12	84565	A †	84978	7634	A †	82572	89414
16	6692	"	7433	13	7278	T 5	70963	7634	T 5	3073	78964
17	6692	"	7434	14	7263	E 3	70964	7634	E 3	3058	78950
18	6692	"	7435	15	78506	N †	82247	7634	N †	3067	78959
18	6692	"	7435	15	72691	N 7/8	72940	7634	N 7/8	72706	78987
18	6692	"	7435	15	75558	N 7/8	75567	7634	N 7/8	72706	78987
18	6692	"	7435	15	84564	N ⊕	84977	7634	N ⊕	84070	89426
18	6692	"	7435	15	81711	N 7/8		7634	N †	3067	78959
19	6692	"	7436	16	7267	I 8	70966	7634	I 8	3082	78954
20	6692	"	7437	17	7273	O 9	70967	7634	O 9	3068	78960
21	6692	"	7438	18	7266	H &	70968	7634	H &	3061	78953
21	6692	"	7438	18	72692	H #	72941	7634	H #	8255	78981
21	6692	"	7438	18	81762	H	81763	7634	H STOP	82274	82607
21	6692	"	7438	18	84563	H †	84976	7634	H †	82756	89418
21	6692	"	7438	18	81703	H &#		7634	H &	3061	78953
22	6692	"	7439	19	7270	L)	70969	7634	L)	3065	78957
22	6692	"	7439	19	72693	L 3/4	72942	7634	L 3/4	71057	78983
22	6692	"	7439	19	75560	L 3/4	75569	7634	L 3/4	71057	78983
22	6692	"	7439	19	84562	L †	84975	7634	L †	82759	89421
22	6692	"	7439	19	81707	L) 3/4		7634	L)	3065	78957
23	6692	"	7440	20	7279	U 7	70970	7634	U 7	3074	78965
24	6692	"	7441	21	78501	M .	82242	7634	M .	3066	78958
24	6692	"	7441	21	72694	M ?	72944	7634	M ?	3577	78977
24	6692	"	7441	21	81704	M . ?		7634	M .	3066	78958
25	6692	"	7442	22	7283	Y 6	70972	7634	Y 6	3078	78969
26	6692	"	7443	23	7274	P 0	70973	7634	P 0	3069	78961
27	6692	"	7444	24	81710	B 7 5/8		7634	B ?	3055	78947
27	6692	"	7444	24	7260	B ?	70974	7634	B ?	3055	78947
27	6692	"	7444	24	72695	B 5/8	72945	7634	B 5/8	72705	78986
27	6692	"	7444	24	75562	B 5/8	75571	7634	B 5/8	72705	78986
27	6692	"	7444	24	84561	B ⊕	84974	7634	B ⊕	82764	89425
28	6692	"	7445	25	7269	K (70975	7634	K (3064	78956
28	6692	"	7445	25	72696	K 1/2	72946	7634	K 1/2	72707	78988
28	6692	"	7445	25	75563	K 1/2	75572	7634	K 1/2	72707	78988
28	6692	"	7445	25	84560	K +	84973	7634	K +	82758	89420
28	6692	"	7446	26	81706	K (1/2		7634	K (3064	78956
29	6692	"	7446	26	7284	Z ††	70976	7634	Z ††	3079	78970
29	6692	"	7446	26	84544	Z +	84972	7634	Z +	82760	89422
30	6692	"	7447	27	78505	(logo p.d.)	82246	7634	.	3084	78975
30	6692	"	7447	27	71254	(logo p.d.)	72947	7634	.	3084	78975
30	6692	"	7447	27	83888		83897	7634	CAR. RET.	3573	78976
31	6692	"	7448	28	78504	(logo p.d.)	82245	7634	.	3083	78974
31	6692	"	7448	28	7285	(logo p.d.)	70978	7634	.	3083	78974
31	6692	"	7448	28	83889		83898	7634	LINE FEED	3578	78978
32	6692	"	84633	29	84558	-	84634	7825	-	84024	89413
32	8459	BLANK						7825	BLANK	3080	78971
33	6917	FIGS. SHIFT						7825	FIGS.	3081	78972
34	6915	CODE BAR LOCKING LEVER						3610			

"FOR 2" WIDE TAPE"



CODE BARS FOR BELL ON "S"	
NO. STAMPED ON CODE BAR	CATALOG NO.
1B	8453
2C	70799
3C	70800
4C	70801
5B	8529

NOTE:-
CHECK CAREFULLY THE POSITION OF PULLBARS IN SEGMENT AND THE ARRANGEMENT OF THE TYPE PALLETS ON THE TYPE BARS. IF THESE DIFFER IN ANY WAY WITH THE ARRANGEMENT SHOWN ON THIS PAGE, THE PARTS SHOULD BE ORDERED BY NAME.
FOR EXAMPLE ORDER:-
TYPE PALLET -----(A -)
TYPE BAR #12 (WITH PALLET)----(A -)
PNEUMATIC KEYPAD -----(A -)
SPRING CUSHION KEYPADS----(A -)

CODE BARS FOR BELL ON "J"	
NO. STAMPED ON CODE BAR	CATALOG NO.
1B	8453
2B	8454
3B	8455
4B	8456
5B	8529

NUMBER OF POSITION IN SEGMENT	PULL OR FUNCTION BARS		TYPE BARS WITHOUT PALLETS		TYPE FOR PRINTING 7 CHARACTERS PER INCH		DESCRIP-TION	TYPE FOR PRINTING 8 CHARACTERS PER INCH		PULL AND FUNCTION BAR SPRING	PNEUMATIC KEYPADS CATALOG NUMBER	KEYTOP DESCRIPTION	SPRING CUSHION KEYPADS CATALOG NUMBER
	CATALOG NUMBER	DESCRIPTION	CATALOG NUMBER	NUMBER STAMPED ON BAR	TYPE PALLETS	TYPE BARS WITH PALLETS		TYPE PALLETS	TYPE BARS WITH PALLETS				
1	6916	SPACE								7965			
2	6916	LTRS-SHIFT								7965	3082	LTRS.	78973
3	8457	BELL ON KEYPAD								7825	8177	S BELL	78980
3	8457	BELL ON KEYPAD								7825	7640	J SGL.	80552
4	8458	S PULLBAR	7421	1	78248	82211	S			7634	8177	S BELL	78980
4	8458	J PULLBAR	7421	1			J	75611	82182	7634	7640	J SGL.	80552
5	6692	STANDARD	7422	2	78249	82212	X 1	75612	82183	7634	3077	X 1	78968
6	6692	"	7423	3	78250	82213	Q 1	75613	82184	7634	3070	Q 1	78962
7	6692	"	7424	4	78251	82214	V 3/8			7634	72704	V 3/8	78985
7	6692	"	7424	4			V ;	75614	82185	7634	3075	V ;	78966
8	6692	"	7425	5	78252	82215	G &	75615	82186	7634	3060	G &	78952
9	6692	"	7426	6	78253	82216	W 2	75616	82187	7634	3076	W 2	78967
10	6692	"	7427	7	78254	82217	F 1/4			7634	71053	F 1/4	78982
10	6692	"	7427	7			F	75617	82188	7634	7639	F	83902
11	6692	"	7428	8	78255	82218	C 1/8			7634	71995	C 1/8	78984
11	6692	"	7428	8			C :	75618	82189	7634	3056	C :	78948
12	6692	"	7429	9	78256	82219	D 5	75619	82190	7634	3057	D 5	78949
13	6692	"	7430	10	78257	82220	R 4	75620	82191	7634	3071	R 4	78963
14	6692	"	7431	11	78258	82221	J 1			7634	3063	J 1	78955
14	6692	"	7431	11			S 9	75621	82192	7634	72383	S 9	83903
15	6692	"	7432	12	78259	82222	A -	75622	82193	7634	3054	A -	78946
16	6692	"	7433	13	78260	82223	T 5	75623	82194	7634	3079	T 5	78964
17	6692	"	7434	14	78261	82224	E 3	75624	82195	7634	3058	E 3	78950
18	6692	"	7435	15	78262	82225	N 7/8			7634	72706	N 7/8	78987
18	6692	"	7435	15			N 1	75625	82196	7634	71993	N 1	83904
19	6692	"	7436	16	78263	82226	I 8	75626	82197	7634	3062	I 8	78954
20	6692	"	7437	17	78264	82227	O 9	75627	82198	7634	3068	O 9	78960
21	6692	"	7438	18	78265	82228	H #			7634	8255	H #	78981
21	6692	"	7438	18			H 2	75628	82199	7634	3061	H 2	78953
22	6692	"	7439	19	78266	82229	L 3/4			7634	71057	L 3/4	78983
22	6692	"	7439	19			L 1	75629	82200	7634	3065	L 1	78957
23	6692	"	7440	20	78267	82230	U 7	75630	82201	7634	3074	U 7	78965
24	6692	"	7441	21	78268	82231	M ?			7634	3577	M ?	78977
24	6692	"	7441	21			M 9/16	75631	82202	7634	3482	M 9/16	82605
25	6692	"	7442	22	78269	82232	Y 6	75632	82203	7634	3078	Y 6	78969
26	6692	"	7443	23	78270	82233	P 0	75633	82204	7634	3069	P 0	78961
27	6692	"	7444	24	78271	82234	B 5/8			7634	72705	B 5/8	78986
27	6692	"	7444	24			B 7	75634	82205	7634	3055	B 7	78947
28	6692	"	7445	25	78272	82235	K 1/2			7634	72707	K 1/2	78988
28	6692	"	7445	25			K 1	75635	82206	7634	3064	K 1	78956
29	6692	"	7446	26	78273	82236	Z 11	75636	82207	7634	3079	Z 11	78970
30	6692	"	7447	27	78274	82237	. ,			7634	3084	. ,	78975
30	6692	"	7447	27			. ,	75637	82208	7634	77384	. ,	83905
31	6692	"	7448	28	78275	82238	. #			7634	3083	. #	78974
31	6692	"	7448	28			= #	75638	82209	7634	77385	= #	83906
32	8459	BLANK								7825	3080	BLANK	78971
33	6917	FIGS. SHIFT								7825	3081	FIGS.	78972
34	6915	CODE BAR LOCKING LEVER								3610			

SETS OF KEYTOPS

SPRING CUSHION

PNEUMATIC

DESCRIPTION	78934 SET OF SPRING CUSHION KEYTOPS. (BELL SYSTEM) ARRANGEMENT "A"	78938 SET OF SPRING CUSHION KEYTOPS. (BELL SYSTEM) ARRANGEMENT "B"	80550 SET OF SPRING CUSHION KEYTOPS.	82859 SET OF SPRING CUSHION KEYTOPS. (BELL SYSTEM) ARRANGEMENT "C"	78987 SET OF SPRING CUSHION FRACTIONAL KEYTOPS.	89410 SET OF SPRING CUSHION KEYTOPS. (WEATHER MAP SERVICE) (BELL SYSTEM) ARRANGEMENT "D"	90101 SET OF SPRING CUSHION KEYTOPS. (WEATHER MAP SERVICE)	71198 SET OF PNEUMATIC KEYTOPS. (BELL SYSTEM) ARRANGEMENT "A"	72709 SET OF PNEUMATIC KEYTOPS. (BELL SYSTEM) ARRANGEMENT "B"	82500 SET OF PNEUMATIC KEYTOPS. (BELL SYSTEM) ARRANGEMENT "C"	72708 SET OF PNEUMATIC FRACTIONAL KEYTOPS.	80390 SET OF PNEUMATIC KEYTOPS.	83409 COMBINATION SET OF PNEUMATIC KEYTOPS.	82766 SET OF PNEUMATIC KEYTOPS. (WEATHER MAP SERVICE) (BELL SYSTEM) ARRANGEMENT "D"	82765 SET OF PNEUMATIC KEYTOPS. (WEATHER MAP SERVICE)
A -	78946	78946	78946	78946				3054	3054	3054		3054	3054		
A †						89414	89414							82752	82752
B 5/8		78986	78986	78986	78986				72705	72705	72705	72705	72705		
B ?	78947							3055					3055		
B ⊕						89425	89425							82764	82764
C 1/8		78984	78984	78984	78984				71995	71995	71995	71995	71995		
C :	78948							3056					3056		
C O						89423	89423							82762	82762
D \$	78949	78949	78949	78949				3057	3057	3057		3057	3057		
D f						89415	89415							82753	82753
E 3	78950	78950	78950	78950		78950		3058	3058	3058		3058	3058	3058	
F 1/4		78982	78982	78982	78982				71053	71053	71053	71053	71053		
F /	78951							3059					3059		
F →						89416	89416							82754	82754
G &	78952	78952	78952	78952				3060	3060	3060		3060	3060		
G \						89417	89417							82755	82755
H #		78981	78981		78981				8255		8255	8255	8255		
H £	78953							3061					3061		
H 570P				82607						82274					
H †						89418	89418							82756	82756
I 8	78954	78954	78954	78954				3062	3062	3062		3062	3062	3062	
J 1	78955	78955						3063	3063				3063		
J †				78993						75691					
J √						89419	89419							82757	82757
J SGL			80552									7640			
K 1/2		78988	78988	78988	78988				72707	72707	72707	72707	72707		
K /	78956							3064					3064		
K +						89420	89420							82758	82758
L 3/4		78983	78983	78983	78983				71057	71057	71057	71057	71057		
L)	78957							3065					3065		
L *						89421	89421							82759	82759
M ?		78977	78977		78977				3577		3577	3577	3577		
M •	78958			78958				3066		3066			3066	3066	
N 7/8		78987	78987	78987	78987				72706	72706	72706	72706	72706		
N †	78959							3067					3067		
N ⊕						89426	89426							84070	84070
O 9	78960	78960	78960	78960		78960		3068	3068	3068		3068	3068	3068	
P O	78961	78961	78961	78961		78961		3069	3069	3069		3069	3069	3069	
Q 1	78962	78962	78962	78962		78962		3070	3070	3070		3070	3070	3070	
R 4	78963	78963	78963	78963		78963		3071	3071	3071		3071	3071	3071	
S †			80551									3072			
S BELL	78980	78980		78980		78980		8177	8177	8177			8177	8177	
T 5	78964	78964	78964	78964		78964		3073	3073	3073		3073	3073	3073	
U 7	78965	78965	78965	78965		78965		3074	3074	3074		3074	3074	3074	
V 3/8		78985	78985	78985	78985				72704	72704	72704	72704	72704		
V :	78966							3075					3075		
V ⊕						89424	89424							82763	82763
W 2	78967	78967	78967	78967		78967		3076	3076	3076		3076	3076	3076	
X /	78968	78968	78968	78968		78968		3077	3077	3077		3077	3077	3077	
Y 6	78969	78969	78969	78969		78969		3078	3078	3078		3078	3078	3078	
Z ††	78970	78970	78970	78970				3079	3079	3079		3079	3079		
Z +						89422	89422							82760	82760
-						89413	89413							84024	84024
•	78974	78974	78974					3083	3083			3083	3083		
,	78975	78975	78975					3084	3084			3084	3084		
CAR RET.				78976		78976				3573				3573	
FIGS.	78972	78972	78972	78972		78972		3081	3081	3081		3081	3081	3081	
LTRS.	78973	78973	78973	78973		78973		3082	3082	3082		3082	3082	3082	
LINE FEED				78978		78978				3578				3578	
BLANK	78971	78971	78971	78971				3080	3080	3080		3080	3080		

SET OF PARTS

84584 set of parts, release pull bar (assem.) consists of the following parts:

84581	Shift Arm Clamping Plate	1
84582	Pull Bar Shift Arm	1
84583	Release Pull Bar	1
1162	Screw	2
3640	Lock Washer	2

84961 set of parts to prevent smudging of type bars, consists of the following parts:

<u>Type Pallets</u>		<u>Type Bars (Without Pallets)</u>		<u>Type Bars (With Pallets)</u>	
<u>Description</u>	<u>Catalog No.</u>	<u>Catalog No.</u>	<u>No. Stamped On Bar</u>	<u>Catalog No.</u>	
S 7	8289	84929	1	84945	
X /	7282	84930	2	84946	
Q 1	7275	84931	3	84947	
V 3 8	75555	84932	4	84948	
G 4	7265	84933	5	84949	
W 2	7281	84934	6	84950	
F 1 4	75556	84935	7	84951	
C 1 8	75557	84936	8	84952	
M ?	72694	84937	21	84953	
Y 6	7283	84938	22	84954	
P 0	7274	84939	23	84955	
B 5 8	75562	84940	24	84956	
K 1 2	75563	84941	25	84957	
Z "	7284	84942	26	84958	
.	78505	84943	27	84959	
.	78504	84944	28	84960	
.	84962	Ribbon Guide	1		

(A) 87448) set of parts, synchronous motor (assem.), consists of the following parts:
(B) 92157)

6732	Motor Mounting Plate	1
76484	Fan	1
1179	Screw	1
2191	Lock Washer	1
6745	Mounting Screw	4
3438	Washer	4
2669	Lock Washer	4
71047	Shim	16
8884	Terminal Block	1
7631	Wire Guard	1
(A) 82283	Synchronous Motor	1
(B) 91892	Synchronous Motor	1

(A) 87449) set of parts, A.C. series motor (assem.), consists of the following parts:
(B) 93853)

80341	Governor Brush & Speed Adjusting Bracket (Assem.)	1
80352	Center Contact Governor (Assem.)	1
6811	Governor Mounting Screw	1
2191	Lock Washer	1
6732	Motor Mounting Plate	1
6745	Mounting Screw	4
3438	Washer	4
2669	Lock Washer	4
71047	Shim	16
72739	Guard	1
(A) 6708	1/25 H.P., 110 V., A.C. Motor	1
(B) 93851	1/25 H.P., 110 V., A.C. Motor	1
7661	Governor Adjusting Lever	1
8222	Wearing Strip	1
1100	Pilot Screw	1
84047	Adjusting Lever Stop	1
8330	Adjusting Lever Stop Washer	2
2449	Lock Washer	1
6746	Screw	2
2191	Lock Washer	2
8884	Terminal Block	1
78676	Cable (Assem.)	1
91617	Shim	5

(A) Without "Bell System Service" Name Plate.
(B) With 89946 "Bell System Service" Name Plate and 91685 Screws.

(A) 87450) set of parts, 110 V., D.C. shunt motor (assem.), consists of the following parts:
(B) 92158)

80341	Governor Brush & Speed Adjusting Bracket (Assem.)	1
80352	Center Contact Governor (Assem.)	1
6811	Governor Mounting Screw	1
2191	Lock Washer	2
6732	Motor Mounting Plate	1
6745	Mounting Screw	4
3438	Washer	4
2669	Lock Washer	4
71047	Shim	16
72738	Guard	1
72566	Resistance Unit	1
1297	Resistor Mounting Screw	1
7002	Washer	1
3620	Fibre Washer	2
3598	Nut	1
(A) 72586	1/17 H.P., 110 V., D.C. Motor	1
(B) 91888	1/17 H.P., 110 V., D.C. Motor	1
7661	Adjusting Lever	1
8222	Adjusting Lever Wearing Strip	1
1100	Pilot Screw	1
84047	Adjusting Lever Stop	1
8330	Adjusting Lever Stop Washer	2
2449	Lock Washer	1
6746	Wearing Strip Mounting Screw	2
2191	Lock Washer	2
8884	Terminal Block	1
78677	Cable (Assem.)	1
91617	Shim	5

(A) 87451) set of parts, 130 V., D.C. shunt motor (assem.), consists of the following parts:
(B) 92159)

80341	Governor Brush & Speed Adjusting Bracket (Assem.)	1
80352	Center Contact Governor (Assem.)	1
6811	Governor Mounting Screw	1
2191	Lock Washer	1
6732	Motor Mounting Plate	1
6745	Mounting Screw	4
3438	Washer	4
2669	Lock Washer	4
71047	Shim	16
82398	Resistance Bracket & Guard (Assem.)	1
(A) 72586	1/17 H.P., 110 V., D.C. Motor	1
(B) 91888	1/17 H.P., 110 V., D.C. Motor	1
7661	Governor Adjusting Lever	1
8222	Adjusting Lever Wearing Strip	1
1100	Pilot Screw	1
84047	Adjusting Lever Stop	1
8330	Adjusting Lever Stop Washer	2
2449	Lock Washer	1
6746	Wearing Strip Mounting Screw	2
2191	Lock Washer	2
8884	Terminal Block	1
78677	Cable (Assem.)	1
91617	Shim	5

89753 set of governor circuit parts consists of the following parts:

92178	Resistor Unit (Assem.)	1
89921	Resistor Unit (Assem.)	1
6746	Screw	2
2191	Lock Washer	2
7002	Washer	3
3094	Insulator	2
77649	Condenser (1/4 - 1/2 M.F.)	1
75430	Condenser Strap	1
75429	Screw	2
92334	Terminal Strap (Assem.)	3

(A) Without "Bell System Service" Name Plate.
(B) With 89946 "Bell System Service" Name Plate and 91685 Screws.

91042 set of parts to apply signal distortion prevention detent to keyboards operating at 240 o.p.m. or less, consists of the following parts:

91145	Detent Lever Bracket	1
91142	Detent Lever	1
1030	Shoulder Screw	1
123-244	Washer	1
8896	Shim	3
2191	Lock Washer	1
3598	Nut	1
4730	Spring	1
74986	Screw	2
2191	Lock Washer	2
7002	Washer	2

92235 set of parts to provide for local test, consists of the following parts:

74529	Test Key Bracket	1
6746	Screw	2
2191	Lock Washer	2
1038	Screw	2
2191	Lock Washer	2
74691	Resistor - 800-1600 Ohms	1
82866	Resistor - 800-3700 Ohms	1
1297	Screw	2
75750	Washer - Bakelite	4
3438	Washer	2
3646	Lock Washer	2
(A) 92236	Local Test Key and Cable (Assem.)	1

(A) consists of the following parts:

92237	Cable (with 82474 Terminals)	1
92534	Test Key	1

93662 set of parts, for .005 - .025 ampere line current (assem.) consists of the following parts:

91518	Bracket	1
93767	Resistor - 6,600 Ohms	1
93768	Resistor - 18,700 Ohms	1
91517	Resistor Mounting Screw	2
94063	Cable (Assem.)	1
1093	Screw	1

94079 set of parts, pencil holder (assem.) consists of the following parts:

94246	Pencil Holder	1
94247	Mounting Plate	1
1294	Screw	2
78858	Washer	2
34-66	Nut	2
1162	Screw	2
3640	Lock Washer	2
3599	Nut	2

94269 set of parts for cover and base bonding device, consists of the following parts:

94268	Spring	1
1064	Screw	1
34-48	Nut	1
2191	Lock Washer	1

94615 set of parts, print and space suppression mechanism with manual automatic restoration, consists of the following parts:

95014	Print and Space Suppression Mechanism	1
95027	Operating Lever	1
95029	Operating Lever Extension	1
33-110	Screw	2
3640	Lock Washer	2
33-197	Shoulder Screw	1
3599	Nut	1
2191	Lock Washer	1
82565	Spring	1
86726	"J" Type Bar (with Pallet)	1

94616 set of parts, for instruction card holder with spring clip, consists of the following parts:

94617	Copyholder Spacer	1
94709	Spring	1
3599	Nut	1
3640	Lock Washer	1
1162	Screw	1

95014 set of parts, print and space suppression mechanism (with manual restoration), consists of the following parts:

95024	Bell and Break Signal Bracket	1
95028	Lever	1
95032	Spacer	1
8669	Shoulder Screw	1
95030	Shoulder Nut	1
95033	Eccentric Bushing	1
2191	Lock Washer	3
74986	Screw	1
95023	Push Bar Latch	1
1196	Shoulder Screw	1
85823	Spacer	1
45104	Spring	1
95031	Spring Post	1
3606	Nut	1
95021	Push Bar	1
86774	Shoulder Screw	1
7825	Spring	1
95026	Spring Clip	1
95022	Cam Plate	1
86776	Stud	1
34-56	Nut	1
74613	Screw	2
3640	Lock Washer	2
85957	Washer	2
95020	Code Bar	1
6987	Spacer Washer	2
6859	Spacer Collar	2
123-308	Spring Clip	1
31636	Spring	1
95034	Push Bar Guide	1
7002	Washer	2
80342	Screw	2
95036	Drill Fixture (Assem.)	1

95317 set of parts to apply signal distortion prevention detent to keyboards operating at 240 o.p.a. or more, consists of the following parts:

91145	Detent Lever Bracket	1
95316	Detent Lever	1
74011	Shoulder Screw	1
34444	Space Collar	1
2191	Lock Washer	1
3598	Nut	1
4730	Spring	1
74986	Screw	2
2191	Lock Washer	2
7002	Washer	2

96576 set of parts for unshift on space pull bar blocking mechanism, consists of the following parts:

96577	Latch	1
6746	Screw	1
2191	Lock Washer	1
7002	Washer	1
89963	Eccentric	1
74717	Screw	1
3640	Lock Washer	1
200-1348	Washer	1
34432	Washer	1
74283	Spring Washer	1
96578	Bushing	1
81824	Nut	1
1181	Screw	1
2191	Lock Washer	1
7002	Washer	1
34432	Washer	1
74283	Spring Washer	1
96579	Bushing	1
80728	Nut	1

96595 set of parts for magnet adjusting bracket, consists of the following parts:

96594	Bracket	1
78301	Screw	2
2669	Lock Washer	4
7150	Washer	2
34-58	Nut	2
6811	Screw	3
3598	Nut	3

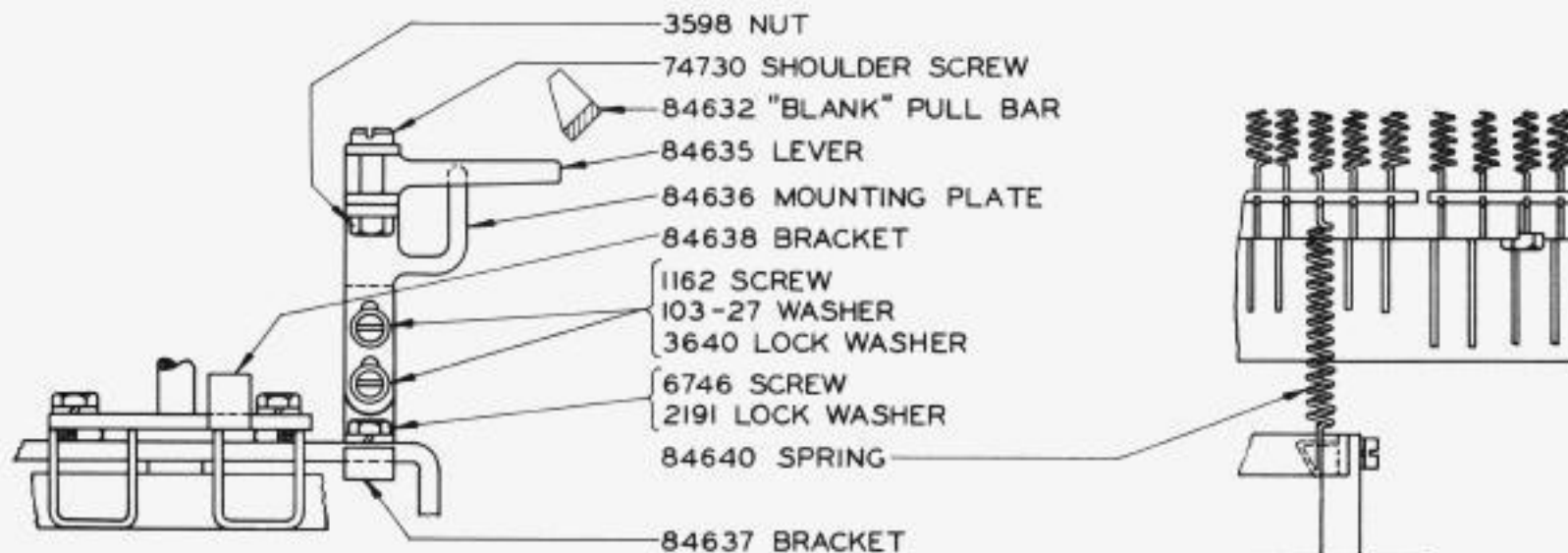
97465 set of parts for .000 to .020 ampere line current, consists of the following parts:

91517	Screw	1
91518	Bracket	1
97462	Resistor - 21,300 Ohms	1
97466	Cable	1
1093	Screw	1

SETS OF PARTS TO CONVERT MODEL 14 PRINTER SETS
TO DISSEMINATE WEATHER MAP DATA

The 84660 set of parts, for converting Model 14 printer sets, equipped with pneumatic keytops, to disseminate weather map data, consists of the following: 84641 set of parts, 84661 set of type bar pallets, and 84591 set of pneumatic keytops.

The 90102 set of parts, for converting Model 14 printer sets, equipped with master speed keytops, to disseminate weather map data, consists of the following: 84641 set of parts, 84661 set of type bar pallets, and 90100 set of master speed keytops.



84641 SET OF PARTS TO PREVENT PRINTING AND
SPACING ON LOWER CASE BLANK COMBINATION.
ALSO INCLUDES 84634 TYPE BAR (WITH PALLET "-")

Description	Type Pallets	Type Bars (Without Pallets)		Type Bars (With Pallets)	Pneumatic Keytops	Master Speed Keytops
	Catalog Number	Catalog Number	Number Stamped on Bar	Catalog Number		
V ⊕	84571	7424	4	84984	82763	89424
G ↗	84570	7425	5	84983	82755	89417
F ↖	84569	7427	7	84982	82754	89416
C ○	84568	7428	8	84981	82762	89423
D ↘	84567	7429	9	84980	82753	89415
J ↙	84566	7431	11	84979	82757	89419
A →	84565	7432	12	84978	82752	89414
N ⊕	84564	7435	15	84977	84070	89426
H ↖	84563	7438	18	84976	82756	89418
L ↗	84562	7439	19	84975	82759	89421
B ⊕	84561	7444	24	84974	82764	89425
K ↖	84560	7445	25	84973	82758	89420
Z ⊕	84544	7446	26	84972	82760	89422
-	84558	84633	29	84634	84024	89413
CAR RET					3573	78976
LINE FEED					3578	78978

84661 Set of Type Bar Pallets (Does not include 84558 Pallet)

84591 Set of Pneumatic Keytops

90100 Set of Master Speed Keytops

NOTES OF EXPLANATION

Pages 1 and 2

- (A) The 2623 spring and 8468 spring post which were used for carriage return operation have been replaced by 80365 spring, shown on page 2, and 72284 spring post, shown on page 1. The 72284 spring post is threaded and is fastened to the base plate by means of a 3599 nut and a 3640 lock washer applied underneath the plate. 80365 spring must be used with the 72284 spring post.

Page 2

- (B) The 8452 spring bracket is the old style and is not adjustable. 72018 spring bracket, new style, was designed to permit the adjustment of the carriage shift mechanism by means of an adjustable toe 72019, which is mounted onto the bracket by means of two 6746 screws, 2191 lock washers, 7001 washers, and 7002 washers. The mounting holes in the 72019 toe are elongated to permit adjustments. The old and new style spring brackets are not interchangeable; therefore, the 72019 toe must be used with the new style 72018 spring bracket.

Page 3

- (A) The 7418 oiler has been replaced by a 78244 oiler which is threaded into the new style 7018 bushing. The old style 7018 bushing must be replaced by the new style, which is tapped, when installing a 78244 oiler.
- (B) The 7059 detent lever has been redesigned so as to provide more clearance between the detent lever spring and the 7058 plate, thereby allowing the proper spring tension to be obtained. The 35-27 spring has been replaced by 78823 spring which must be used with the new style 7059 detent lever.

Page 4

- (A) The new style 6826 spring brackets, are made longer and have two tapped mounting holes instead of one.

Page 5

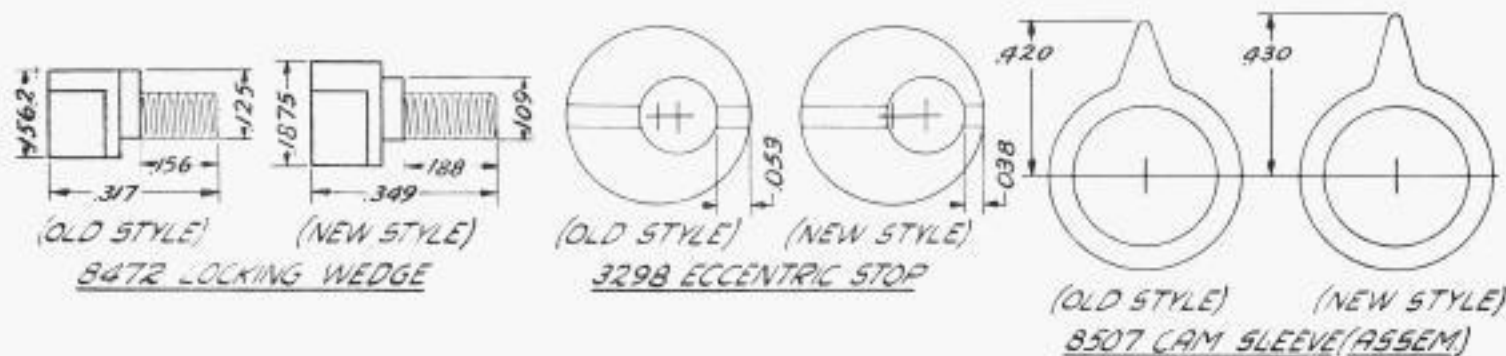
- (A) Type bar segment (with posts) 91899 (type bar segment 89905 and post 89906) has replaced type bar segment 6890, posts 6963 - long and post 6962 - short. The 89905 type bar segment differs from the 6890 type bar segment in that the two cutouts at the extreme ends are filled in. The 89906 post has a .281 diameter and is of the same length as the 6962 post - short. Old and new style type bar segments are interchangeable only if equipped with the proper posts. The 89906 post is interchangeable with the 6962 post - short, but not with the 6963 post - long.

Page 6

- (A) When the 71699 screw was tightened, the 71696 range scale and the 71697 clamping plate had a tendency to bind. In order to prevent this, the 71699 screw and 70885 washer, which were used together have been replaced by a 78597 shoulder screw and a 78596 washer. The new shoulder screw and washer must be used together as they are not interchangeable with 71699 screw and 70885 washers.

Pages 6 and 7

- (B) The changes involving 8472 locking wedge, 3298 eccentric stop, shown on page 6, and 8507 cam sleeve shown on page 7, may be noted in the following sketches.



The diameter of the head of the new style 8472 locking wedge has been increased .0313" and the length of the threaded portion has been increased .032", while the shoulder has been decreased .016".

The mounting hole in the new style 3298 eccentric stop has been offset .015" more than the old style.

The cam projections of the new style 8507 cam sleeve have a diameter of .860", which is .020" more than the old style.

If an old style cam sleeve is used, either an old or new style locking wedge, or an old or new style eccentric may be used.

If, however, a new style cam sleeve is used, only the new style locking wedge and new style eccentric can be used.

Pages 6 and 17

- (C) On printers equipped with line relays the 7414 gear guard is replaced by an 80591 handle, shown on page 17.

Page 8

- (A) The 88072 sending-receiving printer base-black differs from 8678 sending-receiving printer base-black in that it is drilled and notched for mounting mechanical end-of-line indicator. The 75522 and 92183 cables are used with the 8678 and 88072 sending-receiving printer bases respectively.

Page 10

- (A) Two 41663 washers have been added under the head of each of the two 6746 screws on the 7382 front bracket mounting the 7387 brace. When it is desired to convert a nonrepeating keyboard to a repeating keyboard, these washers are taken off and placed under the 7395 stop plate, shown on page 8, two under each mounting screw.

- (B) In order to improve the keyboard touch, it is necessary that the clearance between the lockout levers and the lock loop be made adjustable. To accomplish this, the following changes have been made:

A slot has been provided in place of the hole in the 7377 lock loop which retains the same number.

The 7378 lock loop roller has been replaced by a 92511 roller of larger diameter in order to clear the head of the 6800 shoulder screw.

A 7002 washer and a 2191 lock washer have been added under the 3598 nut which mounts the 6800 shoulder screw to the 7377 lock loop.

Note: The new style 92511 roller should not be used with the old style 7377 lock loop.

Page 12

- (A) The 78518 cable (Deltabeston Wire) is to be used for maintenance on line relay units not equipped with the 80153 resistance (600-810 ohm).

The 80968 cable (Art Silk cover Deltabeston Wire) is to be used on line relay units equipped with the 80153 resistance (600-810 ohm).

These cables have the line test key wires taped and are for use on line relay units either with or without line test keys.

- (D) The 92534 key (W.E. 92AU) differs from the 75437 key (W.E. 92D) in that it is provided with a plunger which normally holds the key locked in the line position, and which can be thrown to the test position only by the maintenance man.

Page 13

- (C) In order to equip printers with the bell and break mechanism, it is necessary to replace 8459 blank pull bar with a 77204 blank pull bar if the printer is not so equipped.

Page 15

- (A) The gears on 6907 spacer shaft and 75587 platen shaft are designed for printing 8 characters to the inch.

- (B) The gears on 8428 spacer shaft and 8058 platen shaft are designed for printing 7 characters to the inch.

Page 16

- (A) The 80152 set of parts for repeat space mechanism has been superseded by a new set of parts 83878.

- (A) The 83878 set of parts for repeat space mechanism is furnished with the 14E printer base.

- (B) The 83881 set of parts for repeat "S" and space mechanism, which consists of 83879 repeat "S" parts and 83878 repeat space mechanism, is furnished with the 14D printer base.

- (C) A set of parts 83880 which consists of all parts marked (C) on page 16 may be ordered for converting keyboards equipped with the 80152 repeat space mechanism, to the 83881 repeat "S" and space mechanism.

Page 17

- (B) The 77376 tape release lever assembly is a device used to prevent the tape from feeding, and is mounted under the head of 6746 screw mounting the 6930 tape guide. Its purpose is to cam the feed roll out of engagement with the feed roll gear and hold it in that position.
- (C) On printers equipped with line relays the 7414 gear guard, shown on page 6, is replaced by an 80591 handle.

Pages 23 and 26

- (B) The 80789 keyboard base, shown on page 23, has holes drilled for mounting the 80811 end-of-line indicator mechanism. If a keyboard base is not equipped for installing the 80811 end-of-line indicator mechanism, an 82775 drill fixture, shown on page 26, may be ordered to lay out the necessary mounting holes. 80789 is not included in 80811 assembly.

Page 24

- (A) A set of parts to add contact to open or close on upper case "H" combination may be ordered under 82513.
- (B) A set of parts, the same as 82513, except omitting 82491 guard, and including a motor stop unit (with mounting), 82939, shown on page 25, may be ordered under 82990.
- (C) To convert a Model 14 printer upper case "H" contact mechanism for operation on upper case "J", the following parts are required:

86724	Operating Lever	1
86726	Type Bar #11 (with Pallet) (J)	1

- (D) The 82571 contact lever bracket and 82574 contact lever have been replaced by a redesigned 87526 contact lever bracket and 87525 contact lever. The old style lever and bracket are not interchangeable with the new style. In case either the old style bracket or lever is ordered, both new parts, known together as 87527 set of parts, contact lever and bracket, will be furnished.

Page 25

- (A) The 74614 resistance is used in series with the 82687 tape illuminator lamp.
- (B) A set of parts the same as 82513, except omitting 82491 guard, shown on page 24 and including 82939 motor stop unit (with mounting) may be ordered as 82990 upper case "H" control mechanism and motor control.

Page 26

- (A) The 82869 resistance and mounting rod (assem.) is used on 14DE printers.
- (B) The 82775 drill fixture (see pages 23 and 26) is a guide used for laying out holes in keyboard base for mounting 80811 end-of-line indicator mechanism.
- (C) The 82398 resistance bracket and guard (assem.) and the 82397 condenser mounting plate (assem.) are used to equip a 14 printer for 130 volt D.C. operation and may be ordered as follows:
82836 set of parts to equip a 14 printer for 130 volt D.C. operation.
- (D) The 78205 resistance (300 ohms) is used in series with the end-of-line indicator lamp, shown on page 23.

Page 31

- (A) Parts marked (A) are old style parts, furnished for maintenance only. When message line guide (assem.) 8513 is ordered, only the new style parts will be furnished.
- (B) The 94617 metal copyholder spacer, which can be used as a cardholder has replaced the 8686 wooden filler.

Page 36

- (B) The 80578 gear and 80577 pinion replace respectively the 78528 gear and 78527 pinion, giving a small but appreciably better approximation to the desired speed than the latter gear and pinion.
- (C) The rotor (assem.) for model 37233 (78217) motor is not stamped.

"	"	"	"	"	38367	(80553)	"	"	"	"	stamped	4277621-2.
"	"	"	"	"	5SH25AB2	(80553)	"	"	"	"	"	4277621-2.
"	"	"	"	"	5SH25AB21	(80553)	"	"	"	"	"	4277621-2.
"	"	"	"	"	5SH25AB7	(82622)	"	"	"	"	"	4288831G3.
"	"	"	"	"	5SH25AB11	(82283)	"	"	"	"	"	4290072G2.
"	"	"	"	"	5SH25AB14	(82714)	"	"	"	"	"	4290072G5.
- (D) G.E. Model 37233 (78217) - superseded by G.E. Model 38367 (80553)

"	"	38367	(80553)	-	"	"	"	"	5SH25AB2	(80553)
"	"	5SH25AB2	(80553)	-	"	"	"	"	5SH25AB21	(80553)
"	"	5SH25AB21	(80553)	-	"	"	"	"	5SH25AB7	(82622)
"	"	5SH25AB7	(82622)	-	"	"	"	"	5SH25AB11	(82283)

NUMERICAL INDEX

M-169	Magnet, 18	1093	Screw (8-32 x 7/16), 46,47		
M-177	Magnet Coil, 6	1096	Screw (4-36 x 1/8), 17,30	3056	<u>Pneumatic Keytops</u>
M-193	Coil, 21	1100	Screw (1/4-32 Pilot), 6,	3057	(C :), 40,42,43
M-194	Control Magnet, 23		35,44,45	3058	(D \$), 40,42,43
M-195	Magnet, 25	1118	Screw (6-40 Shoulder), 13,	3059	(E 3), 41,42,43
M-196	Magnet, 25		18,22	3060	(F !), 40,43
33-15	Screw (2-56 x 1/8), 18	1160	Screw (6-40 x 5/16), 6,23,24	3061	(G &), 40,42,43
33-43	Screw (2-56 x 3/4), 18	1161	Screw (6-40 x 1/4), 23,24	3062	(H £), 41,42,43
33-50	Screw (4-40 Shoulder),	1162	Screw (4-40 x 1/4), 12,23,25	3063	(I 8), 41,42,43
	23		34,44,46,48	3064	(J ^), 41,42,43
33-58	Screw (6-32 x 7/16), 31	1163	Screw (4-40 x 5/16), 17,23	3065	(K ()), 41,42,43
33-86	Screw (4-40 x 1/8), 22	1168	Screw (4-40 x 5/16), 28	3066	(L)), 41,42,43
33-108	Screw (4-36 x 1/8), 21	1169	Screw (6-40 x 7/16), 33	3067	(M .), 41,43
33-110	Screw (40 x 3/16), 22,46	1170	Screw (6-32 x 5/16), 29	3068	(N), 41,43
33-111	Screw (2-56 x 3/16), 5	1174	Screw (4-40 Shoulder), 33	3069	(O 9), 41,42,43
33-121	Screw (4-40 Shoulder), 34	1176	Screw (6-40 x 3/16), 24	3070	(P O), 41,42,43
33-197	Screw (6-40 Shoulder),	1179	Screw (6-40 x 5/8), 36,44	3071	(Q 1), 40,42,43
	24,46	1181	Screw (6-40 x 11/16), 47	3072	(R 4), 40,42,43
33-213	Screw (3-56 Pilot), 23,25	1187	Screw (10-32 x 1/4), 9,33	3073	(S ^), 43
33-224	Screw (6-40 Shoulder), 1,	1196	Screw (6-40 Shoulder), 47	3074	(T 5), 41,42,43
	34	1206	Screw (4-40 x 9/16), 25	3075	(U 7), 41,42,43
33-252	Screw (10-32 x 3/4), 6	1253	Screw (8-32 x 3/8), 12	3076	(V ;), 40,42,43
33-280	Screw (2-56 x 3/16), 31	1262	Screw (6-32 x 5/16), 22	3077	(W 2), 40,42,43
33-346	Screw (6-40 Shoulder), 33	1264	Screw (10-32 x 1/2), 30	3078	(X /), 40,42,43
34-1	Nut (1/4-32 Hex.), 7	1266	Screw (6-32 x 7/16), 20	3079	(Y 6), 41,42,43
34-4	Nut (10-32 Hex.), 3,6,8,	1269	Screw (6-40 x 1/2), 23,33	3080	(Z "), 41,42,43
	14,16,28	1272	Screw (6-40 x 11/16), 35	3081	(Blank), 41,42,43
34-11	Nut (2-56 Hex.), 6,14,29,	1285	Screw (2-56 x 5/16), 14	3082	(Figs.), 41,42,43
	31	1291	Screw (6-32 x 3/4), 31	3083	(Ltrs.), 40,42,43
34-48	Nut (6-40 Hex.), 46	1293	Screw (4-40 x 1/8), 22	3084	(.), 41,42,43
34-56	Nut (4-40 Hex.), 6,10,16,	1294	Screw (4-36 x 1/2), 31,46	3094	Insulator, 12,26,45
	22,23,34,47	1297	Screw (6-40 x 2-7/16), 12,	3108	Roller, 33
34-58	Nut (10-32 Hex.), 47		19,25,26,34,45,46	3154	Shaft, 6
34-59	Nut (10-32 Hex.), 35	2034	Washer, 33	3298	Eccentric Stop, 6,49
34-66	Nut (4-36 Hex.), 22,31,46	2191	Lock Washer 1 to 28, 30 to	3329	Oiler, 6
35-27	Spring, 3,49		36, 45 to 50	3438	Washer, 1,3,4,5,8,9,12,
35-68	Spring, 33	2199	Nut (7/16-32 Hex.), 11		16,20,25,28,33,34,44,
35-70	Spring, 23	2247	Washer, 15,20		45,46
35-72	Spring, 3,33	2248	Pin, 3	3458	Shim, 9
35-88	Spring, 34	2254	Washer (Brass), 20,21	3482	Pneumatic Keytop (M \$),
35-133	Spring, 8,22	2259	Washer (Brass), 20,21		42
36-24	Pin, 7	2322	Lock Washer, 6	3573	Pneumatic Keytop
43-10	Plunger Stop, 18	2378	Spacer Key Lever, 8		(Car. Ret.), 41,43,48
61-24	Insulator, 22	2382	Lock Washer, 8,14,34	3577	Pneumatic Keytop (M ?),
103-27	Washer, 12,16,23,48	2407	Lock Washer, 10		41,42,43
103-75	Resistance (125 Ohms), 18	2408	Screw Plate, 25	3578	Pneumatic Keytop (Line
122-48	Lamp Socket, 23,33	2422	Lock Washer, 12		feed), 41,43,48
122-102	Spring Eye, 3	2431	Selector Bar #1, 9	3595	Nut (1/4-32 Hex.), 18
122-143	Plug, 11, 18	2432	Selector Bar #2, 9	3598	Nut (6-40 Hex.), 1,2,4,
122-276	Strap, 26	2433	Selector Bar #3, 9		5,6,8,9,10,11,13,15,16,
123-37	Spring Post, 3	2434	Selector Bar #4, 9		17,18,19,22,23,24,25,26,
123-244	Washer, 11,46	2435	Selector Bar #5, 9		30,33,34,45,46,47,48,50
123-308	Spring Terminal, 1,47	2438	Washer, 6,18,21,26	3599	Nut (4-40 Hex.), 1,12,16
126-92	Washer (Fibre), 26	2449	Lock Washer, 3,18,35,44,45		21,22,23,25,33,46,49
126-123	Outlet Bushing, 20,35	2480	Spring Post, 7	3606	Nut (6-40 Hex.), 4,5,9,
138-22	Screw Driver, 37	2486	Rivet, 30		18,47
138-23	Socket Wrench (3/16), 37,	2502	Mounting Strip, 10	3607	Nut (5/16-32 Hex.), 5,33
	38	2503	Cover Plate, 10	3608	Spring, 11
138-34	Open Wrench (1/4), 37,38	2504	Insulator Strip, 10	3610	Spring, 4,41,42
138-36	Open Wrench (3/16-1/4),	2525	Key Lever Guide - Front, 8	3617	Washer, 18
	37,38	2526	Spacing Collar (Short), 10,	3618	Insulator, 18
138-43	Gauge (.002"), 37		23	3620	Washer (Fibre), 45
138-44	Gauge (.004"), 37	2528	Spring Bar, 9	3626	Foot (Rubber), 9,14
138-55	Scale (8 oz.), 37,38	2529	Bushing, 10	3628	Outlet Bushing, 8,9,14,
138-58	Scale (32 oz.), 37,38	2565	Key Lever Spring, 8,9		21,23
138-125	Gauge (.010"), 37	2566	Spacer Key Lever Spring, 8,9	3640	Lock Washer, 1,3,6,10,
138-126	Gauge (.020"), 37	2574	Key Lever Upstop, 9		12,16,18,21,22,23,25,
138-128	Open Wrench (5/16"), 37	2610	Bell, 8,16		26,27,31,33,34,44,46,
200-1348	Washer, 3,23,47	2623	Spring, 10,11,16,49		47,48,49
700-60	Screw (0-80 x 1/8), 23	2658	Nut (6-32 Hex.), 30	3646	Lock Washer, 12,25,34,46
700-76	Terminal, 24,33	2663	Buffer (Rubber), 8,14	3647	Insulator, 18
1026	Screw (6-40 x 3/8), 25,	2669	Lock Washer, 1 to 9,12,15,16,	3650	Washer (Brass), 12,13,19,
	29,34		17,18,20,21,25,26,28,33,44,		21,25
1028	Screw (4-40 x 1/4), 6,12		45,47	3870	Spring, 25
	18,19,25,26	2719	Washer, 34	3899	Collar, 18
1030	Screw (6-40 Shoulder), 6,	2723	Nut (6-32 Hex.), 20	4001	Nut (1/4-32 Thumb), 15
	46	2726	Nut (8-32 Hex.), 21	4293	Insulator, 8,14
1038	Screw (6-40 x 9/32), 46	2727	Scale (25 lb.), 37,38	4707	Washer (Brass), 21
1043	Screw (10-32 x 5/16), 20	2802	Open Wrench (3/8-9/16), 37	4730	Spring, 46,47
1046	Screw (6-40 Shoulder), 23	2920	Lock Washer, 3	4809	Wick - Long, 6
1051	Screw (4-40 x 1/2), 18,23,	3043	Resistance (250 Ohms) (W.E.	4810	Wick, 11
	25		18AM), 26	4813	Wick - Short, 6
1058	Screw (10-32 x 5/16), 21			4814	Lock Washer, 5,33
1062	Screw (6-40 x 17/32), 23			4838	Open Wrench (3/8-7/16),
1064	Screw (6-32 x 1/4), 27,46	3054	<u>Pneumatic Keytops</u>		37,38
1073	Screw (6-40 Thumb), 6	3055	(A -), 41,42,43	4841	Scale (12 lb.), 37,38
			(B ?), 41,42,43		

4851	Ground Terminal, 9	6843	Bracket, 3	7042	Bevel Gear, 5,33
4871	Screw (3/16-24 x 4), 18, 26	6845	Tape Guide - Right, (3/8" Tape), 2	7044	Reverse Arm, 5
4873	Gauge (.015"), 37	6846	Bearing, 2	7046	Spacer Lever, 3
4874	Gauge (.030"), 37	6850	Bell Crank, 6,34	7047	Feed Pawl, 3
4881	Spring Backing, 10	6859	Spacer Collar, 4,17,47	7048	Screw (10-32 Shoulder), 3
4939	Tape Reel, 15	6861	Washer (Felt), 7	7057	Detent Lever (Assem.), 3
5017	Spring, 25	6862	Feed Roll Gear, 2,15	7058	Plate, 3,49
5061	Ball Bearing, 35	6863	Cam Sleeve Disc, 7	7059	Detent Lever, 3,49
5363	Spring, 5,33	6874	Roller, 6	7067	Collar, 3
5475	Nut (3/16-40 Hex.), 23	6884	Bracket, 6	7068	Bevel Gear, 3
5700	Fuse Block, (W.E. 9A), 17	6885	Brush Holder Bracket, 17	7070	Ribbon Feed Lever, 3
5701	Fuse (W.E. 55A), 17	6890	Type Bar Segment, 49	7078	Bearing Post, 8,16
5740	Screw (2-56 x 1/4), 12	6893	Backstop Bracket, 5	7080	Spacer Bar Loop, 8,16
5961	Bushing (Fibre), 17	6907	Spacer Shaft (With Gears), 2,15,50	7081	Spring Post, 10
6301	Governor Cover, 27	6909	Stop Pawl, 6,34	7082	Pinion - 8T (390 o.p.m.), 35
6305	Governor Brush, 27	6915	Code Bar Locking Lever, 41,42	7091	Insulator, 2
6306	Brush Holder, 27,35	6916	Function Bar, 40,42	7092	Slip Connection Strip (Assem.), 11,19
6311	Ring (Bakelite), 27	6917	Function Bar (Figs. Shift), 41,42	7093	Connection Strip, 11,19
6314	Contact Spring (Assem.), 27	6918	Link, 5	7094	Connection Spring, 11,19
6318	Contact Spring Clamp, 27	6919	Spacer Locking Bail, 1,15	7095	Plate, 11,19
6319	Block, 27	6920	Post, 1,16	7096	Bushing (Fibre), 8,14
6320	Contact Screw, 27	6927	Platen Shaft (With Gear), 2	7097	Post, 19
6323	Spring, 27	6928	Front Bearing, 2	7098	Post, 19
6324	Adjusting Wheel, 27	6929	Carriage Frame, 2	7099	Screw (10-32 Thumb), 8,14
6330	Adjusting Wheel Bearing, 27	6930	Tape Guide - Left, (3/8" Tape), 2,51	7105	(Bell System 1G Speed Target) - 10 Spots, 27
6339	Inner Governor Ring, 27	6931	Feed Roll Lever (With Post), 2,15	7150	Washer, 47
6340	Outer Governor Ring, 27	6932	Feed Roll, 2	7188	Bearing, 2
6341	Bushing, 27	6933	Feed Roll Journal, 2	7198	Gear Guard, 8
6342	Wire, 27,31	6935	Thumb Wheel, 2,15	7199	Trip Off Pawl, 8
6344	Screw (6-32 x 11/32), 27	6936	Thumb Wheel Lock Nut, 2,15	7256	Gear Hub (Without Post), 11
6345	Nut (6-32 Hex.), 27	6941	Feed Roll Lever, 2,15	7257	Keyboard Slip Connection Guard, 13
6346	Screw (6-32 x 3/4), 27	6942	Screw (4-40 Eccentric), 6, 10,16,22		
6347	Screw (6-32 x 3/8), 27	6943	Locking Pawl, 1	7259	Type Pallets
6348	Screw (4-36 x 3/4), 27	6944	Ribbon Guide, 2		(A -), 39,41
6558	Insulator, 13	6952	Plunger Sleeve, 3	7260	(B ?), 39,41
6617	Tommy, 37,38	6954	Strip (Leather), 5	7262	(D \$), 39,40
6685	Sword, 6	6955	Type Bar Backstop, 5	7263	(E 3), 39,41
6686	"T" Lever, 6	6960	Platen Roll, 2	7265	(G &), 39,40,44
6689	Separator Plate, 6	6962	Post - Short, 49	7266	(H £), 39,41
6690	Pull Bar Stripper, 4	6963	Post - Long, 49	7267	(I 8), 39,41
6692	Pull Bar - Standard, 40, 41,42	6965	Bearing Rod, 5	7269	(K), 39,41
6698	Post, 6	6966	Eccentric Stop, 6,34	7270	(L), 39,41
6706	Magnet Bracket, 6	6969	Main Bracket, 3	7273	(O 9), 39,41
6708	Motor 1/25 H.P., 110 V., A.C., 35,44	6971	Clutch Lever, 7	7274	(P 0), 39,41,44
6710	Armature (For 6708 Motor), 35	6972	Type Bar Backstop (Assem.), 5	7275	(Q 1), 39,40,44
6732	Motor Mounting Plate, 1, 44,45	6979	Hub, 27,28	7276	(R 4), 39,40
6743	Operating Arm, 6	6985	Main Bail Lever, 6	7278	(T 5), 39,41
6745	Screw (10-32 x 1/2), 1 to 7, 44, 45	6986	Sleeve, 6	7279	(U 7), 39,41
6746	Screw (6-40 x 5/16), 1 to 19, 22 to 26, 28, 33 to 36, 44,45,46,47,48,49,50, 51	6987	Spacer, 4,47	7281	(W 2), 39,40,44
6770	Disc (Bakelite), 27	6988	Spring, 6	7282	(X /), 39,40,44
6796	Screw (10-32 x 1/8), 3,5	6989	Spring Lever, 6	7283	(Y 6), 39,41,44
6799	Screw (6-40 Shoulder), 1, 2,6,15,34	6990	Screw (1/4-32 Pilot), 7	7284	(Z "), 39,41,44
6800	Screw (6-40 Shoulder), 2, 3,5,6,10,50	6991	Gear - 32T - (390 o.p.m.), 35	7285	(.) (.020 Dia.), 39,41
6801	Screw (4-40 Pilot), 1,6,8, 16,34	6993	Clutch Spring, 7	7287	Universal Bar, 9
6805	Screw (6-40 Shoulder), 1, 5,8,9,10	6997	Selector Mounting Plate (With Posts), 6	7290	Shaft, 2
6807	Screw (6-40 Set), 3,5,23, 33	7001	Washer, 2,4,6,8,9,16,17,26, 49	7318	Contact Lever, 10
6810	Screw (10-32 x 3/8), 1,6, 8,12,15,16,17,33,34	7002	Washer, 1 to 5,8,10 to 26, 28,30,31,33,34,45,46,47,49, 50	7334	Post, 8,9
6811	Screw (6-40 x 5/8), 2,3,5, 6,7,8,10,11,14,15,19,22, 27,44,45,47	7007	Trip Plunger, 6,34	7336	Gear - 19T, 2
6814	Screw (6-40 Pilot), 8,10, 15	7013	Bushing, 3	7337	Washer (Felt), 8,14
6825	Spring Bracket, 4	7015	Screw Strip, 3	7338	Post, 8,14
6826	Spring Bracket, 4,49	7018	Bushing, 3,49	7353	Tape Tension Spring, 30
6827	Connecting Block (W.E. 18B), 12	7020	Plunger, 3	7362	Glass, 31
6830	Stop Pawl Latch, 6,34	7021	Bushing, 3	7364	Pad-Top, 31
6831	Bracket, 1	7022	Reverse Lever - Right, 5	7372	Bearing, 11
6832	Mounting Block, 3	7023	Reverse Lever - Left, 5	7373	Bearing Bushing, 10
6834	Ribbon Reverse Bail, 3	7024	Reverse Pawl - Right, 5	7375	Key Lever Shaft, 9
6836	Magnet Yoke, 6	7025	Reverse Pawl - Left, 5	7377	Lock Loop, 10,50
6841	Main Bail Cam, 7	7027	Roller, 3	7378	Roller, 10,50
		7029	Shaft, 3	7380	Transmitting Assembly (With 7381 Contact Mounting (Assem.)), 10
		7032	Pawl, 10	7381	Contact Mounting (Assem.), 10
		7033	Bracket, 5	7382	Front Bracket, 10,50
		7034	Bushing, 5,33	7383	Oiler, 10
		7035	Spool Shaft, 5,33	7385	Rear Bracket (With Spring Posts), 10
		7036	Collar, 5,33	7386	Post, 10
		7037	Washer, 5	7387	Brace, 10,50
		7038	Reverse Arm Shaft, 5,33	7388	Keyboard Shaft, 11
		7039	Collar, 5	7389	Driving Clutch, 11
				7391	Driven Clutch, 11
				7394	Spacer Bar, 8,16
				7395	Stop Plate, 8,50

7396 Bracket - Left, 9
7397 Bracket - Right, 9
7398 Plate, 8,14
7399 Contact Spring Backstop,
8,14
7402 Contact Spring - Lower, 8
7403 Contact Spring - Upper, 8,
14
7404 Lockout Lever, 10
7406 Lockout Lever Shaft, 10
7407 Spacing Collar - Long, 10
7408 Spiral Gear - 19T, 7
7409 Clutch Lever, 10
7414 Gear Guard, 6,50,51
7415 Nut (1/2-32 Hex.), 7
7416 Adjusting Wheel Guard, 17
7418 Oiler, 49

Type Bars (Without Pallets)

7421 #1, 40,42
7422 #2, 40,42
7423 #3, 40,42
7424 #4, 40,42,48
7425 #5, 40,42,48
7426 #6, 40,42
7427 #7, 40,42,48
7428 #8, 40,42,48
7429 #9, 40,42,48
7430 #10, 40,42
7431 #11, 41,42,48
7432 #12, 41,42,48
7433 #13, 41,42
7434 #14, 41,42
7435 #15, 41,42,48
7436 #16, 41,42
7437 #17, 41,42
7438 #18, 41,42,48
7439 #19, 41,42,48
7440 #20, 41,42
7441 #21, 41,42
7442 #22, 41,42
7443 #23, 41,42
7444 #24, 41,42,48
7445 #25, 41,42,48
7446 #26, 41,42,48
7447 #27, 41,42
7448 #28, 41,42
7456 Pad - Bevel, 31
7484 Code Bar Post, 4
7485 Governor (Assem.) (for 3/8"
Motor Shaft), 27
7586 Screw (10-32 Special), 6
7599 Spring, 3
7602 Spring, 6,34
7603 Spring, 6,34
7607 Collar, 6,34
7610 Main Shaft Bracket (for
Standard Tape), 6,7
7612 Spring, 6
7614 Spring, 6
7615 Spring, 7
7618 Spring, 1,23
7623 Strap, 8
7631 Wire Guard, 35,36,44
7634 Spring, 40,41,42
7639 Pneumatic Keytop (F), 42
7640 Pneumatic Keytop (J Sgl),
41,42,43
7654 Shim, 10
7655 Spring, 1
7656 Spring, 2,15
7659 Spring, 3
7661 Adjusting Lever, 35,44,45
7678 Roller Journal, 3
7679 Roller, 3
7687 Tape Chute, 1
7691 Transparent Cover, 1
7824 Oil Wick, 7
7825 Spring, 40,41,42,47
7835 Ribbon - Black, 5
7836 Ribbon - Purple, 5
7959 Magnet Bracket, 18
7965 Spring, 4,40,42
8038 Platen Roll, 15
8051 Front Bearing, 15
8053 Carriage Frame, 15
8056 Feed Roll, 15

8057 Disc, 15
8058 Platen Shaft (With Gear),
15,50
8060 Tape Twister, 15
8062 Tape Guide, 15
8065 Post, 15
8066 Tape Reel Stud, 15
8067 Tape Tension Spring, 14
8068 Slip Connection Guard, 19
8069 Cover Plate, 14
8072 Base Plate (With Feet), 15
8073 Main Shaft Bracket (For 2"
Tape), 7
8094 Brush (With Spring), 35
8097 Cam Sleeve, 11
8154 Receiving-Only Printer
Cover (Assem.) For 2"
Tape (Without Copyholder
& Message Line Guide) -
(With 2663 Rubber Buffer),
14
8157 Selector Lever - Right, 6
8158 Selector Lever - Left, 6
8165 Washer, 27
8169 Glass, 14
8170 Pad (Felt), 9,14
8172 Pad (Felt) (for 2" Tape),
14
8177 Pneumatic Keytop (S Bell),
40,42,43
8184 Washer, 3
8220 Rail (Glass) - Black, 14
8222 Wearing Strip, 35,44,45
8254 Cable Clamp, 9,14,18,25
8255 Pneumatic Keytop (H #), 41,
42,43
8287 Type Pallet (J !), 39,41
8288 Type Pallet (F !), 39,40
8289 Type Pallet (S !), 39,40,44
8308 Cable Clamp, 23,33
8330 Washer, 23,25,44,45
8362 Guide Post, 3
8428 Spacer Shaft (With Gears),
15,50
8440 Tape Chute, 15
8441 Transparent Cover, 15
8448 Lockout Lever (With Rollers),
1
8450 Locking Toe, 2
8452 Spring Bracket, 2,49
8453 Code Bar #1B, 40,42
8454 Code Bar #2B, 42
8455 Code Bar #3B, 42
8456 Code Bar #4B, 42
8457 Function Bar, 40,42
8458 Function Bar, 40,42
8459 Blank Pull Bar, 13,41,42,50
8461 Post, 1
8462 Adjusting Lever, 1
8465 Bell Bracket, 8,16
8466 Carriage Locking Pawl, 1
8468 Spring, 49
8470 Selector Post, 6
8472 Locking Wedge, 6,49
8474 Main Bail Plunger, 3
8483 Guard, 2
8484 Post, 2
8485 Bell Hammer Bracket, 8
8488 Bushing, 11
8489 Locking Pawl, 11
8493 Pawl, 3
8494 Spring Post, 8
8495 Post, 11
8497 Bell Hammer, 16
8498 Bell Hammer, 8
8499 Shaft (With Ratchet &
Detent), 3
8501 Gear Hub (With Post), 11
8504 Post, 11
8505 Post, 11
8507 Cam Sleeve, 7,49,50
8508 Armature, 6
8509 Main Bail, 3
8510 Adjusting Clamp, 11
8511 Locking Lever, 6
8513 Message Line Guide (Assem.),
31,51
8514 Stop Plate, 31

8515 Filler Block, 31
8529 Code Bar #5B, 40,42
8539 Screw (6-40 x 1/2), 2,5,6,
8,9,11,17,20,21,23,24,25,
33
8543 Screw (6-40 x 1/4), 23,33
8667 Tape Lever, 11
8668 Roller, 30
8669 Screw (6-40 Shoulder), 24,
30,47
8670 Roller, 30
8671 Screw (6-40 Shoulder), 30
8678 Sending-Receiving Printer
Base (Black), 8,50
8683 Sending-Receiving Printer
Cover (Assem.) (Includes
Copyholder & Message Line
Guide) - Black, 31
8684 Pad - Rear, 31
8685 Pad - Right, 31
8686 Wooden Filler, 51
8778 Cover Stop Arm, 31
8796 Tape Guide, 15
8808 Power Cord, 11
8809 Power Cord (Assem.), 11
8816 Feed Roll Lever (With
Post), 15
8817 Feed Roll Lever, 15
8884 Terminal Block, 2,35,36,
44,45
8896 Shim, 10,25,46
9177 Contact Stop, 10
9178 Contact Spring, 10
9182 Contact Lever Shaft, 10
9203 Bracket (With Rollers), 9
9209 Key Lever - Lower, 8
9210 Key Lever - Center, 8
9211 Key Lever - Upper, 8
9695 Plunger, 18
22015 Spring, 13
31636 Spring, 47
33038 Spring, 33
34432 Washer, 6,12,47
34444 Spacer Collar, 47
35503 Foot (rubber), 31
35551 Screw (10-32 x 3/8), 30
35858 Bell, 13,22
41341 Knob, 34
41342 Screw (8-40 Shoulder), 34
41548 Screw (2-56 x 3/32), 30
41663 Washer, 10,50
41675 Washer, 23
41720 Contact Spring, 23
41732 Clamping Plate, 13,18,23,
24,25,28,33
41733 Insulator, 13,18,23,25,
28,33
41746 Bushing, 23
41820 Contact Spring, 13
41830 Contact Spring, 23
41974 Spring, 33
43838 Cotter Pin, 25
45104 Spring, 47
55297 Screw (6-32 x 5/16), 17
55309 Screw (6-32 x 1/2), 30
55318 Screw (6-32 x 1/4), 30
55344 Screw (10-32 x 1-5/8),
12,17
70073 Nut (3-48 Hex.), 3
70177 Screw (6-40 Pilot), 9
70361 Resistance Unit (Assem.),
18
70497 Nut (5/16-32 Hex.), 7
70529 Stiffener, 18,23,33
70707 Bracket, 18
70722 Resistance (500 Ohms), 18,
26
70724 Insulator Strip, 18
70735 Motor 1/25 H.P., 220 V.,
A.C., 35
70736 Armature (For 70735 Motor),
35
70771 Oil Cup, 35
70785 Spring Post, 9
70791 Tape Reel Container (With
Hooks) Black, 30
70793 Washer, 5,33
70794 Reversing Lever - Left, 5

70795	Reversing Lever - Right, 5,33	71858	Washer, 3	72705	Pneumatic Keytop (B 5/8), 41,42,43
70796	Ribbon Spool Cup, 5,33	71969	Shift Rocker Arm, 1	72706	Pneumatic Keytop (N 7/8), 41,42,43
70799	Code Bar #2C, 40,42	71970	Shift Rocker, 1	72707	Pneumatic Keytop (K 1/2), 41,42,43
70800	Code Bar #3C, 40,42	71974	Pinion - 7T (368 o.p.m.), 35	72708	Set of Fractions Keytops (Pneumatic), 43
70801	Code Bar #4C, 40,42	71976	Stop Pawl Plate, 6	72709	Set of Pneumatic Keytops (Bell System Arrangement "B"), 43
70803	Screw (6-40 Pivot), 6	71980	Roller, 1	72726	Line Fuse Bracket (Assem.), 17
70815	Gear - 40 T., 11	71981	Rivet, 1	72738	Guard, 19,45
70816	Gear - 35 T., 2	71982	Bushing, 1	72739	Guard, 19,44
70832	Glass Rail, 31	71993	Pneumatic Keytop (N 1), 42	72834	Motor (With Accessories), 35
70834	Copyholder (Black), 31	71995	Pneumatic Keytop (C 1/8), 40,42,43	72835	Contact Point, 27
70838	Bearing Bracket, 6,7	71998	Brush Holder Ring (with 80706 Set Screw), 35	72836	Motor (with accessories), 35
70871	Spring Bracket, 4,5	71999	End Play Spring, 35	72883	Washer (felt), 7
70872	Brush Holder (With Insulator), 35	72003	Contact Spring Bender, 37, 38	72884	Disc, 7
70873	Brush Holder Cap, 35	72018	Spring Bracket, 2,49	72885	Spring, 7
70885	Washer, 49	72019	Toe, 2,49		
70887	Nut (3/16-24 Hex.), 18,26	72021	Resistance Mounting Block (Assem.), 12		
	<u>Type Bars (With Pallets)</u>	72022	Resistance Mounting Block (Assem.), 12,17		
70952	#2 (X 7), 40	72023	Cover Plate, 9,14		
70953	#3 (Q 1), 40	72064	Resistance (1000 Ohms), 18,26		
70955	#5 (G &), 40	72065	Resistance Unit (Assem.), 18	72933	<u>Type Bars (With Pallets)</u>
70956	#6 (W 2), 40	72088	Screw (6-20 x 1-1/16), 25	72934	#1 (S 1), 40
70959	#9 (D 8), 40	72144	Pivot Pin, 31	72935	#4 (V 3/8), 40
70960	#10 (R 4), 40	72182	Locating Plate, 1	72936	#7 (F 1), 40
70962	#12 (A -), 41	72284	Spring Post, 1,49	72937	#7 (F 1/4), 40
70963	#13 (T 5), 41	72425	Power Cord, 11	72938	#8 (C 1/8), 40
70964	#14 (E 3), 41	72480	Receptacle (Polarized), 11	72939	#11 (J 1), 41
70966	#16 (I 8), 41	72481	Plug (Polarized) 11	72940	#15 (N 7/8), 41
70967	#17 (O 9), 41	72484	Control Relay (Assem.), 18	72941	#18 (H #), 41
70968	#18 (H 1), 41	72513	Driving Disc, 7	72942	#19 (L 3/4), 41
70969	#19 (L), 41	72514	Spring, 7	72944	#21 (M ?), 41
70970	#20 (U 7), 41	72515	Nut (5/16-32 Hex. L.H. Special), 7	72945	#24 (B 5/8), 41
70972	#22 (Y 6), 41	72516	Retaining Disc, 7	72946	#25 (K 1/2), 41
70973	#23 (P O), 41	72517	Nut (5/16-32 Hex. L.H. Special), 7	72947	#27 (, .) (.020" Dia.), 41
70974	#24 (B ?), 41	72521	Oil Wick, 7	72975	Receiving-Only Printer Base - Black (2" Tape), 14
70975	#25 (K), 41	72522	Oil Wick, 7	72994	Receiving-Only Printer Cover (Assem.) (Without Copyholder and Message Line Guide) - Black, 31
70976	#26 (Z), 41	72562	Driving Clutch, 7	72999	Power Cord (Assem.) - (Bell System Standard), 11
70978	#28 (, .) (.020 Dia.), 41	72563	Washer (Felt), 7	73104	Contact Spring - Lower, 14
71045	Locknut, 6	72565	Lock Washer, 7	73106	Gear - 35 T - (368 o.p.m.), 35
71046	Screw (6-40 Stop), 6	72566	Resistance Unit (100-100 Ohms), 19,45	73107	Bushing, 7
71047	Shim, 1,4,20,44,45	72574	Locking Ball Finger Holding Tool, 37,38	73155	Tape Reel Retainer - Black, 30
71053	Pneumatic Keytop (F 1/4), 40,42,43	72575	Locking Ball Finger Bending Tool, 37,38	73156	Tape Reel Container (Assem.) Black, 30
71057	Pneumatic Keytop (L 3/4), 41,42,43	72576	Main Shaft (With Gear Hub), 7	73160	Tape Reel Container (With Hooks) Black, 30
71073	Washer, 6	72579	Washer, 7	73161	Resistor (50 Ohms), 19
71155	Screw (6-32 x 1-1/4), 26	72581	Gauge Pin, 37,38	73176	Switch Case, 17
71161	Bushing, 11	72586	Motor 1/17 H.P., 110 V., D.C., 35,45	73180	Toggle Switch, 34
71189	Bearing Retainer (copper), 35	72587	Armature (For 72586 Motor), 35	73181	Break Key, 17
71198	Set of Pneumatic Keytops (Bell System Arrangement "A"), 43	72592	Bracket, 31	73231	Bearing Retainer (Steel), 35
71254	Type Pallet (, .) (.020 Dia.), 39,41	72595	Spring, 1	73232	Washer (felt), 35
71266	Washer, 5,33	72627	Receiving-Only Printer Base (Black), 8,14	73236	Field Frame (With Oil Cup), 35
71444	Bushing, 23,33	72628	Plate (Black), 17	73237	End Shield (With Oil Cup), 35
71445	Link, 6	72635	Shim, 23	73238	Field Core (for 6708 Motor), 35
71449	Key Lever Guide - Rear, 9	72644	Ball Bearing, 7	73239	Field Coils (for 6708 Motor), 35
71541	Outlet Bushing, 14	72664	Bracket, 17	73240	Field Core (For 72586 Motor), 35
71564	Gauge (.006"), 37	72665	(Bell System 1J Speed Target) - 23 Spots, 27	73241	Field Coils (For 72586 Motor), 35
71565	Gauge (.040"), 37			73242	Insulation (for One Field Coil), 35
71566	Gauge (.050"), 37			73243	Locking Wedge, 35
71567	Gauge (.060"), 37			73244	Screw (10-32 x 7/8), 35
71646	Nut (6-32 Hex.), 31			73357	Terminal End (Assem.), 18
71659	Screw (6-40 Shoulder), 1, 34			73361	Pad - Left, 31
71662	Resistance (2.4 Ohms) (W.E. 18AY), 19			73370	Gauge, 37,38
71669	Bracket, 8			73392	Bushing, 3
71670	Resistance Mounting Block, 12,17			73394	Set of Parts for Double Tape Operation - Black, 30
71671	Jack Spring - Left, 12	72688	<u>Type Pallets</u>	73588	Contact Spring, 18
71672	Cable Clamp, 8	72689	(V 3/8), 39,40		
71675	Jack Spring - Right, 12	72690	(F 1/4), 39,40		
71680	Bracket (with bushing), 17	72691	(C 1/8), 39,40		
71681	Ribbon Spool, 5	72692	(N 7/8), 39,41		
71682	Relay Bracket (Assem.) (W.E. 206AH), 17	72693	(H #), 39,41		
71686	Shift Rocker Lever, 1	72694	(L 3/4), 39,41		
71695	Bushing, 1	72695	(M ?), 39,41,44		
71696	Range Scale (With Bell Crank Mounting), 6,49	72696	(B 5/8), 39,41		
71697	Clamping Plate, 6,49	72697	(K 1/2), 39,41		
71699	Screw (10-32 Shoulder), 49	72698	Set of Fraction Pallets, 39		
71826	Stud, 11		Set of Pallets (Includes 72697 Set of Fraction Pallets) (Bell System Arrangement "B"), 39		
71844	Spring Post, 1	72704	Pneumatic Keytop (V 3/8), 40,42,43		

73592	Shim, 18	75436	Resistance (3000 Ohm), 12	75675	Flat Type Resistance - Short Circuiting Strap, 17
73593	Contact Spring, 18	75437	Key (W.E. 92D), 12,50	75687	Bearing, 1,2
73595	Clamping Stud, 35	75450	Post, 1	75689	Spring, 3
73611	Oil Wick, 2	75488	Base Plate (with feet), 1	75691	Pneumatic Keypoint (J), 41,43
73640	Bracket (With Rod), 31	75503	Spring Hook - Push, 37,38	75706	Lever, 17
73641	Message Line Guide, 31	75508	Line Relay Unit for Sending-Receiving Printers (Without Contact Assem.), 12,13	75750	Washer (Bakelite), 12,18, 20,21,25,34,46
73644	Motor 1/17 H.P., 220 V., D.C., 35			75765	Spring Hook - Pull, 37,38
73645	Armature (for 73644 Motor), 35	75509	Line Relay Unit for Receiving-Only Printers (Without Contact Assem.), 12	75766	Special Tool, 37
73670	Terminal Block (Assem.), 12,19,25	75517	Pull Bar Guide, 4	75805	Wire Gauge (.008-.020), 37
73705	Terminal Block, 12,19,25	75519	Sending-Receiving Printer Cutaway Cover (Assem.) - (Includes Copyholder and Message Line Guide) Black, 32	75806	Wire Gauge (.010-.040), 37
73765	Sending-Receiving Printer Cutaway Cover (Assem.) - With Accessories - (Same as 75519 except - 73779 Tape Guide (Assem.) and 73789 Guard are included) Black, 32	75520	Receiving-Only Printer Cutaway Cover (Assem.) (Without Copyholder and Message Line Guide) Black, 32	75807	Wire Gauge (.015-.045), 37
73779	Tape Guide (Assem.) (Used with Cutaway Covers), 30	75521	Receiving-Only Printer Cutaway Cover (Assem.) With Accessories - (Same as 75520 except - 73779 Tape Guide (Assem.) and 73789 Guard are included) Black, 32	75808	Case for 75805, 75806, 75807, 75765, 75503, 91117, 37
73789	Guard (Used with Cutaway Covers), 30			75809	Set of Gauges (With Case), 37
73829	Adapter Plate, 19			76058	Spring Post, 22
73844	Washer, 25			76099	Washer, 24,26
73967	Transparent Cover, 30			76167	Screw (4-40 x 3/16), 33
73968	Tape Guide, 30			76244	Contact Spring, 13
73981	Motor (With Accessories), 35			76271	Screw (6-40 Shoulder), 22
74011	Screw (6-40 Shoulder), 33, 47			76280	Capstan Wrench, 38
74014	Screw (10-32 x 3/4), 9			76333	Bushing, 13
74059	Screw (6-40 x 7/32), 22, 34			76465	Bushing (Bakelite), 21
74283	Washer - Spring, 47			76484	Fan, 36,44
74399	Screw (6-40 Pilot), 6			76790	Bushing, 23,25
74502	Driven Clutch, 7			77040	Contact Spring, 23
74526	Collar, 33			77185	Keyboard Slip Connection Guard (Assem.), 13
74529	Test Key Bracket, 46			77187	Bell Hammer, 13,22
74536	Screw (6-40 x 5/32), 33			77188	Contact Arm, 13
74613	Screw (4-40 x 1/4), 16, 23,47			77189	Finger Arm, 13
74614	Resistance (2000-600 Ohms), 22,25,51			77190	Detent Arm, 13
74615	Resistance (2000 Ohms), 21			77191	Bracket, 13,22
74625	Counter Cable, 33			77204	Blank Pull Bar, 13,50
74691	Resistor (800-1600 Ohms), 46			77222	Bell & Break Signal Mechanism (Assem.), 13,22
74717	Screw (4-40 x 11/16), 23, 47			77307	Cover Plate & Switch Guard, 17
74709	Spring, 22			77359	Contact Parts (Assem.) (For Single Contact), 13
74722	Washer, 6			77362	Resistance (350 Ohms), 25
74727	Terminal, 13,18,23			77376	Tape Release Lever (Assem.), 17,51
74728	Terminal, 23,25,33			77377	Hook - Left - Black, 30
74730	Screw (6-32 Shoulder), 48			77378	Hook - Right - Black, 30
74754	Detent Spring, 34			77383	Pneumatic Keypoint (S 9), 42
74808	Bushing, 16			77384	Pneumatic Keypoint (, .), 42
74832	Copyholder - Walnut - 6" With Accessories - (Bell System 14A Copyholder), 31			77385	Pneumatic Keypoint (= #), 42
74833	Copyholder - Black - 6" With Accessories (Bell System 14B Copyholder), 31			77397	Switch Guard (Black), 17
74871	Open Wrench (3/8"), 37,38			77399	Rivet, 30
74879	Post, 15,33			77451	Stop, 8
74889	Screw Plate, 25			77585	Receiving-Only Printer Cutaway Cover (Assem.) (Without Copyholder and Message Line Guide) Mahogany, 32
74903	Hand Wheel, 37,38			77586	Receiving-Only Printer Cutaway Cover (Assem.) With Accessories - (Same as 77585 except - 73779 Tape Guide (Assem.) 73789 Guard - 77768 Tape Reel Retainer & 77769 Tape Reel Container (Assem.) are included - Mahogany, 32
74952	Screw (4-40 x 5/8), 33			77588	Receiving-Only Printer Cutaway Cover (Assem.) (Without Copyholder and Message Line Guide) - Walnut, 32
74953	Screw (4-40 x 13/16), 23, 24,25				
74964	Contact Spring, 18,23,33				
74986	Screw (6-40 x 13/32), 9, 22,23,34,46,47				
75071	Terminal Block (Assem.), 19				
75226	Wick, 3				
75229	Spring, 5				
75231	Bushing, 18				
75336	Transparent Cover, 2				
75429	Screw (10-32 x 1-1/2), 12,45				
75430	Strap, 12,45				
75431	Relay Bracket, 12				
75432	Rear Bracket, 12				
75433	Bracket, 12				
75434	Relay Base, 12				
		75555	(V 3 8), 39,40,44		
		75556	(F 1 4), 39,40,44		
		75557	(C 1 8), 39,40,44		
		75558	(N 7 8), 39,41		
		75560	(L 3 4), 39,41		
		75562	(B 5 8), 39,41,44		
		75563	(K 1 2), 39,41,44		
			Type Bars (With Pallets)		
		75564	#4 (V 3 8), 40		
		75565	#7 (F 1 4), 40		
		75566	#8 (C 1 8), 40		
		75567	#15 (N 7 8), 41		
		75569	#19 (L 3 4), 41		
		75571	#24 (B 5 8), 41		
		75572	#25 (K 1 2), 41		
		75573	Set of Pallets (Includes 75554 Set of Fraction Pallets), 39		
		75587	Platen Shaft (With Gear), 15,50		
		75606	Spring, 10		
		75607	Washer, 10,23		
			Type Pallets		
		75611	(J), 42		
		75612	(X /), 42		
		75613	(Q 1), 42		
		75614	(V ;), 42		
		75615	(G &), 42		
		75616	(W 2), 42		
		75617	(F), 42		
		75618	(C :), 42		
		75619	(D \$), 42		
		75620	(R 4), 42		
		75621	(S #), 42		
		75622	(A -), 42		
		75623	(T 5), 42		
		75624	(E 3), 42		
		75625	(N 1), 42		
		75626	(I 8), 42		
		75627	(O 9), 42		
		75628	(H £), 42		
		75629	(L)), 42		
		75630	(U 7), 42		
		75631	(M %), 42		
		75632	(Y 6), 42		
		75633	(P O), 42		
		75634	(B ?), 42		
		75635	(K (), 42		
		75636	(Z #), 42		
		75637	(.), 42		
		75638	(= #), 42		
		75674	Governor Resistance Strap, 17		

77589	Receiving-Only Printer Cutaway Cover (Assem.) With Accessories - (Same as 77588 except - 73779 Tape Guide (Assem.) 73789 Guard - 77592 Tape Reel Retainer & 77770 Tape Reel Container (Assem.) are included - Walnut, 32	77792	Receiving-Only Printer Cover (Assem.) (Without Copyholder and Message Line Guide) - Oak, 31	78018	Sending-Receiving Printer Cover (Assem.) With Accessories - (Same as 77795 except - 77772 Tape Reel Retainer and 77773 Tape Reel Container (Assem.) are included - Oak, 31
77591	Tape Reel Container (With Hooks) Walnut, 30	77793	Sending-Receiving Printer Cover (Assem.) (Includes Copyholder and Message Line Guide), Mahogany, 31	78025	Screw (4-48 x 3/16), 35,36
77592	Tape Reel Retainer - Walnut, 30	77794	Sending-Receiving Printer Cover (Assem.) (Includes Copyholder and Message Line Guide) - Walnut, 31	78029	Oil Wick, 11
77594	Line Relay Unit (Assem.), 13	77795	Sending-Receiving Printer Cover (Assem.) (Includes Copyholder and Message Line Guide) - Oak, 31	78205	Resistance (300 Ohms), 26, 50
77595	Receiving-Only Printer Cover (Assem.) (Without Copyholder and Message Line Guide) - Walnut, 31	77810	Resistance (300 Ohms), 20	78217	Synchronous Motor 1/50 H.P., 110 V., 60 Cycle, A.C., 51
77613	Filter Unit (Assem.), 20	77811	Resistance (75 Ohms), 20	78244	Oiler, 3,49
77614	Filter Unit (Assem.), 20	77812	Post, 2,15	78245	Screw (6-32 x 7/8), 20
77618	Case (for Small Tools), 37,38	77813	Set of Parts to Change Old Style 14A and 14B to New Style 14A and 14B, 12		Type Pallets
77626	Front Plate - Walnut, 30	77897	Filter Unit Container (Assem.), 20	78248	(B V), 42
77627	Switch Guard - Walnut, 30	77898	Bracket, 20	78249	(X /), 42
77628	Receiver Base Front Plate (Assem.) - Walnut - (Bell System 14A Cover Plate), 30	77899	Filter Unit Container, 20	78250	(Q 1), 42
77649	Condenser (1/4-1/2 M.F.), 12,45	77900	Retard Coil, 20	78251	(V 3 8), 42
77660	Switch Guard - Oak, 30	77901	Screw (6-32 x 4-1/8), 20	78252	(G &), 42
77661	Switch Guard - Mahogany, 30	77902	Screw (6-40 x 2-3/8), 18,20, 21	78253	(W 2), 42
77692	Front Plate - Oak, 30	77903	Condenser (1 MF), 20	78254	(F 1 4), 42
77693	Receiver Base Front Plate (Assem.) Oak, 30	77904	Condenser (1/10 MF), 20	78255	(C 1 8), 42
77694	Front Plate - Mahogany, 30	77905	Strap, 20	78256	(D 8), 42
77695	Receiver Base Front Plate (Assem.) Mahogany, 30	77906	Screw (8-32 x 2-15/16), 20	78257	(R 4), 42
77696	Name Plate, 18	77907	Insulator, 20	78258	(J V), 42
77677	Tape Reel Container (With Hooks) Mahogany, 30	77911	Brush Cap - Special, 20	78259	(A -), 42
77678	Tape Reel Retainer - Mahogany, 30	77917	Bracket, 20	78260	(T 5), 42
77679	Tape Reel Container (Assem.) - Mahogany, 30	77918	Insulator, 20	78261	(E 3), 42
77770	Tape Reel Container (Assem.) - Walnut, 30	77919	Strap, 20	78262	(N 7 8), 42
77771	Tape Reel Container (With Hooks) - Oak, 30	77920	Screw (6-40 x 1-15/16), 20	78263	(I 8), 42
77772	Tape Reel Retainer - Oak, 30	77921	Retard Coil (W.E. 67A), 20	78264	(O 9), 42
77773	Tape Reel Container (Assem.) - Oak, 30	77955	Washer, 5	78265	(H #), 42
77774	Copyholder - Mahogany, 31	78011	Condenser (1 MF), 26	78266	(L 3 4), 42
77775	Copyholder - Walnut, 31	78013	Receiving-Only Printer Cover (Assem.) With Accessories - (Same as 77790 except - 77768 Tape Reel Retainer - 77769 Tape Reel Container (Assem.) & 77695 Front Plate (With Switch Guard) are included - Mahogany, 31	78267	(U 7), 42
77776	Copyholder - Oak, 31	78014	Receiving-Only Printer Cover (Assem.) With Accessories - (Same as 77595 except - 77592 Tape Reel Retainer - 77770 Tape Reel Container (Assem.) and 77628 Front Plate (With Switch Guard) are included - Walnut, 31	78268	(M 7), 42
77780	Hook - Left - Mahogany, 30	78015	Receiving-Only Printer Cover (Assem.) With Accessories - (Same as 77792 except - 77772 Tape Reel Retainer - 77773 Tape Reel Container (Assem.) and 77693 Front Plate (With Switch Guard) are included - Oak, 31	78269	(Y 6), 42
77781	Hook - Right - Mahogany, 30	78016	Sending-Receiving Printer Cover (Assem.) - With Accessories - (Same as 77793 except - 77768 Tape Reel Retainer - 77769 Tape Reel Container (Assem.) are included - Mahogany, 31	78270	(P 0), 42
77782	Hook - Left - Walnut, 30	78017	Sending-Receiving Printer Cover (Assem.) With Accessories - (Same as 77794 except - 77592 Reel Retainer and 77770 Tape Reel Container (Assem.) are not included) Walnut, 31	78271	(B 5 8), 42
77783	Hook - Right - Walnut, 30			78272	(K 1 2), 42
77784	Hook - Left - Oak, 30			78273	(Z "), 42
77785	Hook - Right - Oak, 30			78274	(.), 42
77787	Receiving-Only Printer Cutaway Cover (Assem.) (Without Copyholder & Message Line Guide) - Oak, 32			78275	(.), 42
77788	Receiving-Only Printer Cutaway Cover (Assem.) - With Accessories (Same as 77787 except - 73779 Tape Guide (Assem.) - 73789 Guard - 77772 Tape Reel Retainer and 77773 Tape Reel Container are included) - Oak, 32			78286	Receiving-Only Printer Cutaway Cover (Assem.) - For 2" Tape - (Without Copyholder and Message Line Guide) With 2663 Rubber Buffers, Black, 32
77790	Receiving-Only Printer Cover (Assem.) (Without Copyholder & Message Line Guide) Mahogany, 31			78301	Screw (10-32 x 5/8), 20,47
				78363	Terminal, 13
				78365	Cover (Bakelite), 13
				78374	Connector, 18
				78385	Contact Parts (Assem.) (Used with 77359 for Double Contact Assembly), 13
				78398	Bushing, 28
				78399	Outer Disc Brush Spring (with Brush), 28
				78400	Inner Disc Brush Spring (with Brush), 28
				78403	Contact Brush, 28
				78419	Screw (4-36 x 3/16), 22
				78437	Insulator, 28
				78438	Bushing, 28
				78439	Governor Shell, 28
				78443	Outer Contact Disc, 28
				78451	Cover, 28
				78474	Screw (2-56 x 1/4), 29
				78476	Field Core (for 70735 Motor), 35
				78477	Field Coils (for 70735 Motor), 35
				78479	Field Core (for 73644 Motor), 35
				78480	Field Coils (for 73644 Motor), 35
				78495	Governor Cover (Assem.), 28
				78496	Outer Disc Contact Spring, 28
				78497	Inner Disc Contact Spring, 28

Type Pallets		Spring Cushion Keytops		Spring Cushion Keytops	
78501	(M .), 39,41	78956	(K (), 41,42,43	80342	Screw (6-40 x 23/64), 5, 25,26,28,47
78502	(C :), 39,40	78957	(L), 41,42,43	80351	Screw (8-36 x 5/16), 36
78503	(V ;), 39,40	78958	(M .), 41,43	80352	Center Contact Governor (Assem.) (With Hub for 3/8" Motor Shaft), 28, 44,45
78504	(. .), (.050" dia.), 39, 41,44	78959	(N), 41,43	80353	Spring, 36
78505	(. .), (.050" dia.), 39, 41,44	78960	(O 9), 41,42,43	80354	Screw (8-36 x 1 5/8), 36
78506	(N), 39,41	78961	(P 0), 41,42,43	80355	Screw (4-48 x 7/16), 36
78509	Gear - 30 T (368 o.p.m.), 36	78962	(Q 1), 40,42,43	80356	Washer - 1/32" Thick, 36
78510	Pinion - 7 T (368 o.p.m.), 36	78963	(R 4), 40,42,43	80357	Screw (4-48 x 1/4), 36
78518	Cable (for Line Relay Unit), 12,50	78964	(T 5), 41,42,43	80358	Ball Bearing, 36
78527	Pinion - 5 T, 51	78965	(U 7), 41,42,43	80365	Spring, 2,49
78528	Gear - 33 T, 51	78966	(V ;), 40,42,43	80390	Set of Pneumatic Keytops, 43
78533	Spring, 1	78967	(W 2), 40,42,43	80400	Spring Bracket, 24,33
78596	Washer, 6,49	78968	(X /), 40,42,43	80433	Rotor (Assem.) (With Bearings and Switch), 36
78597	Screw (10-32 Shoulder), 6,49	78969	(Y 6), 41,42,43	80444	Screw (6-40 x 1/4), 25, 28
78626	Synchronous Motor (with Accessories), 36	78970	(Z *), 41,42,43	80471	Clutch Spring, 11
78627	Cable (to Keyboard Contacts), 20	78971	(Blank), 41,42,43	80508	Screw (4-40 x 25/32), 13
78628	Cable (to Terminal Block), 20	78972	(Figs), 41,42,43	80530	Washer - 3/64" Thick, 36
78629	Cable (to Motor Commutator and Governor Contacts), 20	78973	(Ltrs), 40,42,43	80531	Washer - 1/64" Thick, 36
78675	Terminal Block and Magnet Cord, 2	78974	(.), 41,42,43	80548	Motor (With Accessories), 35
78676	Cable - (for A.C. Motor), 35,44	78975	(,), 41,42,43	80550	Set of Spring Cushion Keytops, 43
78677	Cable - (for D.C. Motor), 35,45	78976	(Car Ret), 41,43,48	80551	Spring Cushion Keytops (S F), 43
78713	Frame, 23	78977	(M ?), 41,42,43	80552	Spring Cushion Keypop (J Sgl), 41,42,43
78720	Ratchet, 23	78978	(Line Feed), 41,43,48	80553	Synchronous Motor 1/50 H.P., 110 V., 60 Cycle, A.C., 51
78723	Eccentric, 23	78980	(S Bell), 40,42,43	80554	Wound Stator (With Base), 36
78724	Feed Pawl, 23	78981	(H #), 41,42,43	80555	Rotor (Assem.), 36
78725	Latch Pawl, 23	78982	(F 1/4), 40,42,43	80556	Rotor (Assem.) (With Bearings and Switch), 36
78726	Release Latch, 23	78983	(L 3/4), 41,42,43	80557	End Shield (With Oiler), 36
78727	Latch Bracket, 23	78984	(C 1/8), 40,42,43	80558	End Shield (With Oiler), 36
78728	Bracket, 23	78985	(V 3/8), 40,42,43	80559	Screw (8-36 x 1 3/8), 36
78729	Armature, 23	78986	(B 5/8), 41,42,43	80561	Washer, 36
78732	Feed Pawl Bracket, 23	78987	(N 7/8), 41,42,43	80564	Remote Signal Bell 110 V. A.C. (Assem.) (for 60 Cycle Operation), 18
78733	Release Lever, 23	78988	(K 1/2), 41,42,43	80565	Remote Signal Bell 110 V. D.C., 18
78734	Contact Cam, 23	78993	(J), 41,43	80566	Bushing, 17
78735	Contact Lever, 23	79513	Plate, 18	80577	Pinion - 7 T (240 o.p.m.), 36,51
78736	Bracket, 23	80084	Contact Spring, 23	80578	Gear - 46 T (240 o.p.m.), 36,51
78740	Spring, 23	80119	Rod, 16	80580	Sending-Receiving Printer Cutaway Cover (Assem.) - With Accessories - (Same as 80154 except - 73779 Tape Guide (Assem.), 73789 Guard - 77592 Tape Reel Retainer & 77770 Tape Reel Contaner (Assem.) - are included, Walnut, 32
78741	Spring, 23	80120	Bracket, 16	80581	Spring, 8
78742	Clamp, 23	80121	Shim, 16	80588	Contact Lever, 18
78743	Dashpot Cylinder, 23	80123	Spacer Bar Loop, 16	80589	Bracket, 18
78744	Piston, 23	80152	Repeat Space Mechanism (Assem.), 16,50	80591	Handle, 17,50,51
78745	Cap, 23	80153	Resistance (600-810 Ohm), 12,50	80592	Contact Spring, 18,33
78746	Screw (3/16-40 Special), 23	80154	Sending-Receiving Printer Cutaway Cover (Assem.) (Includes Copyholder and Message Line Guide) Walnut, 32	80706	Screw (6-40 Set), 35
78747	Plug, 23	80177	Insulator - Front, 17	80727	Screw (6-40 x 39/64), 24, 33
78748	Spring, 23	80178	Insulator - Rear, 17	80728	Nut (6-40 Hex.), 24,33,47
78755	Insulator, 23	80180	Spring, 17	80754	Oiler, 36
78758	Contact (Assem.), 23	80195	Retard Coil (W.E. 67E), 21	80755	Bushing, 18,25,33
78781	Magnet Strap, 6	80255	Screw (4-40 x 21/64), 34	80789	Sending-Receiving Printer Base, 23,51
78823	Spring, 3,49	80291	Governor Shell (Assem.), 28	80811	End-of-Line Indicator Mechanism (Assem.), 23, 51
78824	Spring, 6	80296	Wound Stator (with Base), 36	80812	Electric Impulse Counter (Assem.), 23
78826	Mounting Block, 6	80297	End Shield, 36	80813	Counter Cover, 23
78829	Cover (Bakelite), 13	80298	End Shield, 36		
78858	Washer, 46	80299	End Play Spring, 36		
78934	Set of Spring Cushion Keytops (Bell System Arrangement "A"), 43	80300	Switch, 36		
78937	Set of Fractions Keytops (Spring Cushion), 43	80301	Rotor (Assem.), 36		
78938	Set of Spring Cushion Keytops (Bell System Arrangement "B"), 43	80302	Centrifugal Mechanism (with 80535 Spring), 36		
		80303	Fan, 36		
		80305	Washer (Fibre), 36		
		80307	Outlet (with Bushing - Fibre), 36		
		80308	Bushing (Fibre), 36		
		80309	Washer (Felt), 36		
		80310	Washer (Felt), 36		
		80311	Washer (Cup), 36		
		80312	Washer, 35,36		
		80313	Washer, 36		
		80329	Condenser Cup, 20		
		80330	Insulator, 20		
		80334	Contact Terminal, 28		
		80335	Clamping Plate, 28		
		80336	Insulator, 28		
		80337	Bracket, 28		
		80338	Governor Adjusting Bracket, 28		
		80340	Brush Spring Plate, 28		
		80341	Governor Brush and Speed Adjusting Bracket (Assem.), 28,44,45		
78946	(A -), 41,42,43				
78947	(B ?), 41,42,43				
78948	(C :), 40,42,43				
78949	(D \$), 40,42,43				
78950	(E 3), 41,42,43				
78951	(F !), 40,43				
78952	(G &), 40,42,43				
78953	(H £), 41,42,43				
78954	(I 8), 41,42,43				
78955	(J *), 41,42,43				

80816	Counter Base, 23	81812	Resistance (220-430 Ohms), 21	<u>Type Bars (With Pallets)</u>	
80817	Pad, 23	81818	Bracket, 21	82221	#11 (J), 42
80818	Counter Cable, 23	81819	Retard Coil, 21	82222	#12 (A -), 42
80819	Plug, 23	81822	Retard Coil (W.E. 67F), 21	82223	#13 (T 5), 42
80820	Receptacle, 23	81823	Screw (4-40 x 1-1/16), 21	82224	#14 (E 3), 42
80821	Special Parts for Counter Contact Control, 23	81824	Nut (4-40 Hex.), 21, 47	82225	#15 (N 7 8), 42
80822	Lock Lever, 23	81825	Condenser (1/100 M.F.) (W.E. D92607), 21, 22	82226	#16 (I 8), 42
80823	Screw (6-40 Special), 23	81826	Screw (4-40 x 5/8), 21	82227	#17 (O 9), 42
80825	Signal Lamp (Assem.) With Cover, 23, 33	81827	Screw (4-40 x 1/4), 21	82228	#18 (H #), 42
80826	Socket Bracket, 23, 33	81828	Plate, 21	82229	#19 (L 3 4), 42
80827	Lamp, 23, 33	81829	Bracket, 21	82230	#20 (U 7), 42
80828	Lamp Cover (With Glass), 23, 33	81833	Retard Coil (W.E. 67D), 21	82231	#21 (M ?), 42
80830	Glass, 23, 33	81834	Stud (10-32 x 4-5/16), 21	82232	#22 (Y 6), 42
80831	Pulsing Contact (Assem.), 23	81835	Washer (Brass), 21	82233	#23 (P 0), 42
80832	Contact Bracket, 23	81836	Washer (Bakelite), 21	82234	#24 (B 5 8), 42
80833	Spring Guard, 23	81837	Nut (10-32 Hex.), 21	82235	#25 (K 1 2), 42
80834	Cable Support, 23	81838	Spacer Collar (Bakelite), 21	82236	#26 (Z #), 42
80835	Counter Control Contact (Assem.), 23	81839	Spacer Collar (Bakelite), 21	82237	#27 (.,), 42
80836	Contact Bracket, 23	81840	Strap, 21	82238	#28 (.,), 42
80837	Counter Cable for Base (Assem.), 23	81842	Terminal Block, 21	82242	#21 (M.), 41
80840	Insulating Block, 19	81843	Screw (10-32 x 3/8), 21	82243	#8 (C :), 40
80845	Screw (10-32 x 1 13/16), 22	81844	Cover, 21	82244	#4 (V ;), 40
80911	Conduit, 19	81845	Spacer Collar, 21	82245	#28 (.,), (.050 Dia.), 41
80912	Resistor Unit (Assem.) (50 Ohms), 19	81877	Screw (10-32 x 2-5/8), 21	82246	#27 (.,), (.050 Dia.), 41
80921	Cable, 23	81878	Spacer Collar (Bakelite), 21	82247	#15 (N.), 41
80922	Cable, 23	81879	Bushing (Bakelite), 21	82274	Pneumatic Keypop (H Stop), 41, 43
80925	Box Connector, 19	81881	Copyholder - Mahogany - 6" With Accessories (Bell System 14E Copyholder), 31	82279	Clip, 30
80929	Receptacle, 18	82048	Spring Plate, 21	82280	Catch, 30
80934	Tape Reel Retainer - Black, 30	82073	Cable, 14	82281	Guide, 30
80948	Screw (#10 x 1, Wood), 19, 21	82157	Filter Leads, 21	82283	Synchronous Motor 1/40 H.P., 110 V., 60 Cycle A.C., 36, 44, 51
80968	Cable (for Line Relay Unit), 12, 50	82159	Cable, 21	82284	Resistance (50-20 Ohms), 26
80990	Receiving-Only Printer Cutaway Cover (Assem.) - For 2" Tape (Without Copyholder and Message Line Guide) with 2663 Rubber Buffers - Walnut, 32	82170	Set of Pallets (Bell System Arrangement "A"), 39	82285	Resistance (200-100 Ohms), 26
81020	Tape Reel Container (With Hooks) - Walnut, 30	82171	Set of Pallets (Includes 75574 Set of Fraction Pallets), 39	82288	Screw (4-40 x 1/4), 21
81021	Tape Reel Container (Assem.) - Walnut, 30	82182	<u>Type Bars (With Pallets)</u>	82350	Resistance Bracket and Guard, 26
81022	Tape Reel Retainer - Walnut, 30	82183	#1 (J), 42	82363	Remote Signal Bell 110 V., A.C. (Assem.) (For 25 Cycle Operation), 18
81023	Set of Parts for Double Tape Operation - Walnut, 30	82184	#2 (X /), 42	82364	Bracket - Left, 18
81047	Set of Tools, 37	82185	#3 (Q 1), 42	82365	Bracket - Right, 18
81703	<u>Type Pallets</u>	82186	#4 (V ;), 42	82366	Screw (4-40 x 1-1/8), 21
81704	(H #), 39, 41	82187	#5 (G &), 42	82396	Mounting Plate, 26
81705	(M ?), 39, 41	82188	#6 (W 2), 42	82397	Condenser Mounting Plate (Assem.), 26, 51
81706	(F : 1/4), 39, 40	82189	#7 (F), 42	82398	Resistance Bracket and Guard (Assem.), 26, 45, 51
81707	(K (1/2), 39, 41	82190	#8 (C :), 42	82440	Screw (6-40 x 7/16), 25, 34
81708	(L) 3/4), 39, 41	82191	#9 (D \$), 42	82444	Bushing, 23
81709	(C : 1/8), 39, 40	82192	#10 (R 4), 42	82474	Terminal, 11, 19, 21, 22, 26
81710	(V ; 3/8), 39, 40	82193	#11 (S #), 42	82487	Connection Spring, 11, 24, 33
81711	(B ? 5/8), 39, 41	82194	#12 (A -), 42	82488	Terminal Block, 24, 33
81728	(N , 7/8), 39, 41	82195	#13 (T 5), 42	82489	Connection Strip, 11, 24, 33
81761	Tape Guard, 13, 22	82196	#14 (E 3), 42	82490	Insulator, 11, 24, 33
81762	Set of Special Pallets for Monitor Printer, 39	82197	#15 (N #), 42	82491	Guard, 24, 33, 51
81763	Type Pallet (H), 39, 41	82198	#16 (I 8), 42	82492	Slip Connection Strip (Assem.), 24, 33
81774	Type Bar #18 (With Pallet) (H), 41	82199	#17 (O 9), 42	82493	Washer, 6
81775	Washer, 20	82200	#18 (H #), 42	82500	Set of Pneumatic Keypops (Bell System Arrangement "C"), 43
81778	Resistor (8000 Ohms), 34	82201	#19 (L), 42	82503	Type Pallet (J.), 39, 41
81790	Screw (4-40 x 3/16), 13	82202	#20 (U 7), 42	82507	Spring Plate, 25
81809	Cover, 11	82203	#21 (M %), 42	82513	Set of Parts to Add Contact to Open or Close on Upper Case "H" Combination, 24, 51
81810	Keyboard Contact Filter Unit (Assem.), 21	82204	#22 (Y 6), 42	82514	Motor Stop Unit (Assem.), 25
81811	Line Relay Contact Filter Unit (Assem.), 21	82205	#23 (P 0), 42	82518	Base Plate, 25
81812	Power Filter Unit (Assem.), 21	82206	#24 (B ?), 42	82519	Bracket, 25
		82207	#25 (K (), 42	82525	Shim, 25
		82208	#26 (Z #), 42	82526	Armature, 25
		82209	#27 (.,), 42	82529	Locking Lever, 25
		82211	#28 (= #), 42	82530	Spring Post, 25
		82212	#1 (S #), 42	82531	Bracket, 25
		82213	#2 (X /), 42	82532	Screw (6-40 Shoulder), 25
		82214	#3 (Q 1), 42		
		82215	#4 (V 3 8), 42		
		82216	#5 (G &), 42		
		82217	#6 (W 2), 42		
		82218	#7 (F 1 4), 42		
		82219	#8 (C 1 8), 42		
		82220	#9 (D \$), 42		
			#10 (R 4), 42		

82537	Spring Post, 25	82739	Line Cable, 25	82961	Tape Reel Retainer - Black - (Without Handle), 30
82538	Screw (6-40 x 5/16), 25			82990	Upper Case "H" Control Mechanism and Motor Control, 51
82539	Armature, 25			83371	Set of Pallets for Monitor Printer (Includes 81761 Set of Special Monitor Pallets), 39
82540	Pin, 25	82752	<u>Pneumatic Keytops</u>	83401	Printer Cutaway Cover (Assem.) - With Accessories - (Same as 75520 except 82961 Tape Reel Retainer, 82716 Tape Reel Container (Assem.) & 1264 Tape Reel Container Mounting Screws are Included) - Black, 32
82541	Adjusting Lever, 25	82753	(A ↑), 41, 43, 48	83408	Screw (4-40 x 3/16), 29
82542	Contact Spring, 25	82754	(D ↘), 40, 43, 48	83409	Combination Set of Keytops (Pneumatic), 43
82544	Contact Spring, 25	82755	(F →), 40, 43, 48	83419	Spring, 25
82547	Insulator, 24, 25	82756	(G ↘), 40, 43, 48	83541	Handle (Assem.), 34
82548	Insulator, 24, 25	82757	(H ↑), 41, 43, 48	83542	Handle, 34
82549	Contact Mounting Plate, 25	82758	(J ↘), 41, 43, 48	83543	Range Scale, 34
82550	Contact Spring, 24, 25	82759	(K ←), 41, 43, 48	83544	Supplementary Scale - Left, 34
82553	Contact Spring, 24, 25	82760	(L ↘), 41, 43, 48	83545	Supplementary Scale - Right, 34
82555	Contact Spring, 24, 25	82762	(Z +), 41, 43, 48	83546	Bracket, 34
82557	Stiffener, 24, 25	82763	(CO), 40, 43, 48	83548	Adjusting Bearing Bracket, 34
82559	Bushing, 24, 25	82764	(V ⊙), 40, 43, 48	83550	Shaft, 34
82561	Strap, 25	82765	(B ⊕), 41, 43, 48	83551	Spacer, 34
82562	Screw (4-40 x 9/16), 21			83552	Detent Star, 34
82565	Spring, 24, 46			83553	Pinion - 2T, 34
82566	Operating Lever, 24	82766	Set of Pneumatic Keytops, Weather Map Service (Bell System Arrangement "D"), 43	83555	Stop Pawl Gear, 34
82567	Screw (6-40 Shoulder), 24			83557	Pointer, 34
82568	Bracket Extension, 24	82775	Drill Fixture, 26, 51	83558	Friction Spring, 34
82569	Bell Bracket, 24	82836	Set of Parts to Equip Model 14 Printers for 130 Volt D.C. Operation, 51	83559	Post, 34
82570	Contact Cover, 24			83560	Stud, 34
82571	Contact Lever Bracket, 51	82837	Type Bar #11 (With Pallet) (J), 41	83561	Spring Washer, 34
82572	Ribbon Spool Bracket, 24	82839	Rotor (Assem.) (With Bearings & Switch), 36	83562	Monitoring Orientation Range Finder (Assem.), 34
82573	Latch Lever, 24	82840	Rotor (Assem.), 36	83577	Connection Strip (Assem.), 11
82574	Contact Lever, 51	82841	Switch Commutator, 36	83857	Operating Lever (Assem.), 24
82577	Screw (Adjusting), 24	82843	Spring, 36	83858	Bell Bracket and Latch Lever (Assem.), 24
82578	Type Bar #18 (With "H" Pallet), 24	82845	Washer, 36	83859	Spool Bracket and Contact (Assem.), 24
82582	Set of Pallets (Bell System Arrangement "C"), 39	82846	Rotor (Assem.) (With Bearings & Switch), 36	83873	Repeat Yoke, 16
82605	Spring Cushion Keytop (M #), 42	82847	Rotor (Assem.), 36	83874	Screw (4-40 Pilot), 16
82607	Spring Cushion Keytop (H Stop), 41, 43	82848	Brush Holder, (With Brush), 36	83875	Yoke Extension, 16
82617	Magnet Yoke, 25	82850	End Shield, 36	83876	Spring Bracket, 16
82619	Terminal Block (Assem.), 24, 33	82859	Set of Spring Cushion Keytops (Bell System Arrangement "C"), 43	83877	Spring, 16
82620	Magnet Yoke, 25	82860	Spring, 24	83878	Repeat Space Mechanism (Assem.), 16, 50
82622	Synchronous Motor 1/40 H.P., 110 V., 60 Cycle, A.C., 51	82861	Spring, 24	83879	Repeat "S" Parts, 16, 50
82624	Guard, 24, 33	82866	Resistor (800-3700 Ohms), 46	83880	Set of Parts, to Convert Keyboards Equipped with Repeat Space Mechanism to Repeat "S" and Space Mechanism, 50
82628	(3 Resistor) Resistance Unit (Assem.) (Electrical End-of-Line Indicator), 26	82869	Resistances & Mounting Rod (Assem.), 26, 51	83881	Repeat "S" and Space Mechanism (Assem.), 16, 50
82629	Bracket, 26	82870	Resistance (4300-2000 Ohms), 26	83888	Type Pallet (—), 39, 41
82630	Terminal End (Assem.), 26	82911	Rod, 26	83889	Type Pallet (→), 39, 41
82631	Insulator, 26	82933	Latch Lever Extension, 24	83897	Type Bar #27 (With Pallet) (—), 33, 41
82666	Cable, 26	82934	Latch Lever (Assem.), 24	83898	Type Bar #28 (With Pallet) (→), 41
82681	Tape Illuminator (Assem.), 25	82939	Motor Stop Unit (With Mounting), 25, 51	83902	Spring Cushion Keytop (F), 42
82687	Lamp, 25, 51	82956	Printer Cover (Assem.) - With Accessories - Same as 78014 except - Omit 77628 Front Plate (With Switch Guard) - (Bell System 14A Printer Cover) - Walnut, 31	83903	Spring Cushion Keytop (S #), 42
82688	Housing, 25			83904	Spring Cushion Keytop (N #), 42
82692	Contact Spring (Right), 25	82957	Printer Cover (Assem.) - With Accessories - (Same as 72994 except - 82716 Tape Reel Container (Assem.) & 80934 Tape Reel Retainer are Included) - Bell System 14B Printer Cover) - Black, 31	83905	Spring Cushion Keytop (,), 42
82693	Contact Spring (Left), 25			83906	Spring Cushion Keytop (= #), 42
82694	Housing Guard, (Right), 25	82958	Printer Cutaway Cover (Assem.) With Accessories - (Same as 77589 except add 1264 Container Mounting Screw) (Bell System 14C Printer Cutaway Cover) - Walnut, 32	83920	Top Selector Plate, 6
82695	Bracket, 25	82959	Printer Cutaway Cover (Assem.) - With Accessories - (Same as 75521 except 82716 Tape Reel Container (Assem.) and 80934 Tape Reel Retainer are Included (Bell System 14D Printer Cutaway Cover) - Black, 32		
82696	Reflector Plate, 25				
82697	Tape Illuminator (Assem.), 25				
82698	Cable, 25				
82702	Screw (6-40 x 9/32), 23				
82703	Cable, 24				
82704	Cable, 25				
82709	Lamp Cable (110 V.), 18, 33				
82711	Scale (4 lb.), 37, 38				
82713	Adjusting Screw, 23				
82714	Synchronous Motor, 1/40 H.P., 110 V., 50 Cycle, A.C., 36, 51				
82716	Tape Reel Container (Assem.) Black, 30				
82720	Screw (6-40 Set), 23				
82731	Stiffener, 23				
82736	Strap - Brown, 25				
82737	Strap - White, 25				
82738	Contact Cable, 25				

83938	Set of Type Pallets, 39	84584	Set of Parts, Release Pull Bar (Assem.), 44	86615	Rotor (Assem.) (With Bearings & Switch), 36
83939	Tape Reel Spacer (5/16 Tape), 30	84591	Set of Pneumatic Keytops, 48	86616	Spring, 36
83940	Tape Guide - Left (5/16 Tape), 2	84632	Blank Pull Bar, 48	86617	Rotor (Assem.), 36
83942	Tape Guide - Right (5/16 Tape), 2	84633	Type Bar #29 (Without Pallet), 41,48	86713	Screw (4-48 x 5/16), 36
83957	Post, 22	84634	Type Bar #29 (With Pallet) (-), 41,48	86714	Washer - .006", 36
83959	Figures Locking Pawl (With Post), 22	84635	Lever, 48	86724	Operating Lever, 24,51
83960	Washer, 22	84636	Mounting Plate, 48	86726	Type Bar #11 (With "J" Pallet), 24,46,51
83963	Shift Lock Lever (With Post), 22	84637	Bracket, 48	86774	Screw (6-40 Shoulder), 47
83964	Screw (6-40 Pilot), 22	84638	Bracket, 48	86775	Stud, 47
83965	Shift Lock (Assem.), 22	84639	Tape Guide Tube (5/16 Tape), 8	86868	Bushing, 27
83966	Carriage Shift Plate, 22	84640	Spring, 48	86869	Post, 27
83967	Carriage Shift Plate, (Assem.), 22	84641	Set of Parts to Prevent Printing and Spacing on Lower Case Blank Combination, 48	86965	Handle, 29
83969	Positive Carriage Shift Mech. (Assem.), 22	84660	Set of Parts, for Converting Model 14 Printers Equipped With Pneumatic Keytops to Disseminate Weather Map Data, 48	86966	Shaft, 29
83970	Set of Parts, 30	84661	Set of Pallets for Weather Map Service, 39,48	86968	Cotter Pin, 29
83977	Clip, 34	84696	Bell on Blank Lever, 22	86970	Jaw, 29
84020	Armature Bearing Puller, 29	84697	Bell on Blank Mechanism (Assem.), 22	87005	Tape Chute, 1
84024	Pneumatic Keytop (-), 41,43,48			87007	Transparent Cover, 1
84047	Stop, 35,44,45			87039	Set of Parts to Replace 82360 Condenser (W.E. 152A), 21
84062	Pinion - 8 T - (240 o.p.m.), 36	84929	Type Bars (Without Pallets) #1, 44	87328	Strip, 21
84063	Gear - 44 T - (240 o.p.m.), 36	84930	#2, 44	87329	Screw (4-40 x 1-5/16), 21
84064	Pinion - 7 T - (368 o.p.m.), 36	84931	#3, 44	87330	Screw (4-40 x 13/16), 21
84065	Gear - 25 T - (368 o.p.m.), 36	84932	#4, 44	87331	Screw (4-40 x 1/4), 21
84070	Pneumatic Keytop (N ⊕), 41,43,48	84933	#5, 44	87333	Resistance (50 Ohms), 21
	<u>Name Plates</u>	84934	#6, 44	87334	Washer (Bakelite), 21
84435	14-A Typing Unit, 29	84935	#7, 44	87374	Set of Parts for Converting from Full Tape Feed to Push Tape Feed, 34
84436	14-B Typing Unit, 29	84936	#8, 44	87377	Guide - Left, 34
84437	14-C Typing Unit, 29	84937	#21, 44	87378	Guide - Right, 34
84438	14-D Typing Unit, 29	84938	#22, 44	87379	Lever, 34
84439	14-E Typing Unit, 29	84939	#23, 44	87380	Bushing, 34
84440	14-F Typing Unit, 29	84940	#24, 44	87381	Ribbon Guide, 34
84441	14-G Typing Unit, 29	84941	#25, 44	87404	Lock Lever Stop, 23
84442	14-H Typing Unit, 29	84942	#26, 44	87448	Set of Parts, Synchronous Motor (Assem.), 44
84443	14-J Typing Unit, 29	84943	#27, 44	87449	Set of Parts, A.C. Series Motor (Assem.), 44
84444	14-A Teletypewriter Base, 29	84944	#28, 44	87450	Set of Parts, 110 V., D.C. Shunt Motor (Assem.), 45
84445	14-B Teletypewriter Base, 29			87451	Set of Parts, 130 V., D.C. Shunt Motor (Assem.), 45
84446	14-C Teletypewriter Base, 29	84945	Type Bars (With Pallets) #1 (B V), 44	87452	Motor (With Accessories), 35
84447	14-D Teletypewriter Base, 29	84946	#2 (X /), 44	87453	Motor (With Accessories), 35
84448	14-E Teletypewriter Base, 29	84947	#3 (Q 1), 44	87463	Bracket, 34
84449	14-F Teletypewriter Base, 29	84948	#4 (V 3 8), 44	87464	Screw (6-40 Pilot), 34
84450	14-G Teletypewriter Base, 29	84949	#5 (G &), 44	87465	Bracket, 34
84544	Type Pallet (Z +), 39, 41,48	84950	#6 (W 2), 44	87466	Cable, 34
84557	Set of Pallets (Includes 84661 Set of Pallets for Weather Map Service) (Bell System Arrangement "D"), 39	84951	#7 (F 1 4), 44	87467	Set of Parts for Monitoring Relay Switching, 34
	<u>Type Pallets</u>	84952	#8 (C 1 8), 44	87525	Contact Lever, 24,51
84558	(-), 39,41,48	84953	#21 (M ?), 44	87526	Contact Lever Bracket, 24,51
84560	(K -), 39,41,48	84954	#22 (Y 6), 44	87527	Set of Parts, Contact Lever and Bracket, 51
84561	(B ⊕), 39,41,48	84955	#23 (P O), 44	87593	Set of Parts for Mechanical End-of-Line Indicator, 33
84562	(L \), 39,41,48	84956	#24 (B 5 8), 44	87594	Counter Unit (Assem.), 33
84563	(H ↓), 39,41,48	84957	#25 (K 1 2), 44	87641	Handle, 33
84564	(N ⊕), 39,41,48	84958	#26 (Z *), 44	87644	Bracket, 33
84565	(A ↑), 39,41,48	84959	#27 (.,), 44	87645	Bracket, 33
84566	(J ↙), 39,41,48	84960	#28 (.,), 44	87646	Release Bail, 33
84567	(D ↘), 39,40,48	84961	Set of Parts to Prevent Smudging of Type Bars, 44	87647	Sleeve, 33
84568	(C O), 39,40,48	84962	Ribbon Guide, 44	87648	Worm Follower, 33
84569	(F →), 39,40,48			87650	Worm, 33
84570	(G \), 39,40,48	84972	Type Bars (With Pallets) #26 (Z +), 41,48	87651	Shaft, 33
84571	(V ⊕), 39,40,48	84973	#25 (K -), 41,48	87652	Bracket, 33
84581	Shift Arm Clamping Plate, 44	84974	#24 (B ⊕), 41,48	87653	Cam Lever, 33
84582	Pull Bar Shift Arm, 44	84975	#19 (L \), 41,48	87654	Feed Pawl, 33
84583	Release Pull Bar, 44	84976	#18 (H ⊕), 41,48	87656	Spring, 33
		84977	#15 (N ⊕), 41,48	87693	Name Plate (With Window), 29
		84978	#12 (A ↑), 41,48	87697	Open Wrench (1/2"-3/4"), 37,38
		84979	#11 (J ↙), 41,48	87698	Carborundum Contact Stone, 37,38
		84980	#9 (D ↘), 40,48	87854	Housing Guard - Left, 25
		84981	#8 (C O), 40,48	87855	Adjusting Bracket, 33
		84982	#7 (F →), 40,48	87894	Condenser (25/100 M.F.), (W.E. 142B), 21
		84983	#5 (G \), 40,48	87932	Nut (8-32 Hex.), 21
		84984	#4 (V ⊕), 40,48	87933	Washer, 21
		85762	Spacer, 34		
		85823	Spacer, 47		
		85957	Washer, 47		

87936	Bracket, 31	89899	Name Plate (14-AD Typing Unit), 29	92169	Bracket, 22
87937	Bracket (With Rod), 31	89905	Type Bar Segment, 49	92178	(2 Resistors) Resistance Unit (Assem.)(Mechanical End-of-Line Indicator), 26, 45
87945	Screw (10-32 Shoulder), 34	89906	Post, 5, 49		
88014	Writing Shelf (Assem.) (Bell System 14F Copyholder), 29	89917	Screw (4-40 x 9/32 Eccentric), 10	92183	Cable, 8, 50
88064	Writing Shelf, 29	89921	Resistor Unit (Assem.), 45	92204	Cable Clamp, 33
88068	Ticket Holder - Short, 29	89925	Terminal End, 18	92213	Cover Backstop, 9
88069	Ticket Holder - Long, 29	89946	Name Plate (Bell System Service), 35, 36, 44, 45	92216	Filter (W.E. 80A), 22
88072	Sending-Receiving Printer Base (Black), 8, 50	89954	Socket Wrench, (1/4"), 37, 38	92221	Transmitting Contacts Filter (Assem.), 22
88099	Set of Parts for Mechanical End-of-Line Indicator, 33	89955	Socket Wrench, (5/16"), 37, 38	92228	Line Relay Filter Unit (Assem.), 22
88879	Brush Holder Support (Assem.), 36	89960	Set of Parts for Mechanical End-of-Line Indicator, 33	92235	Set of Parts to Provide Local Test, 46
88894	Remote Signal Bell Contact & Cable (Assem.), 18	89963	Eccentric, 47	92236	Local Test Key and Cable (Assem.), 46
88895	Contact (Assem.), 18	89969	Washer - Fibre, 19, 25, 26	92291	Condenser (1/10 M.F.) (W.E. 312A), 21, 22
88896	Cable (Assem.), 18	90100	Set of Spring Cushion Keytops, 48	92309	Resistor (400 Ohms), 22
88931	Wire Guard, 18	90101	Set of Spring Cushion Keytops for Weather Map Service, 43	92334	Terminal Strap, 26, 45
88932	Cord, 18	90102	Set of Parts for Converting Model 14 Printers Equipped with Spring Cushion Keytops, to Disseminate Weather Map Data, 48	92492	Cable, 13
88993	Contact Burnisher, 37, 38			92511	Roller, 50
89080	Guard, 11			92534	Key (W.E. 92AU), 12, 50
89232	Resistor Cable (130 V.), 18	90139	Tape Guide Tube (3/8" Tape), 8	92539	Line Relay Unit (Assem.), 12
89233	Pull Bar, 33	90260	Spring, 10	92724	Shielding Tube (Assem.), 22
89405	Spacer, 36	90263	Wound Stator (With Base), 36	92748	Screw (6-40 x 1-7/16), 22
89406	Washer, 36	90438	Oil Ring, 11	92752	Bracket, 22
89407	Cotter Pin, 36	90752	Washer - Felt, 6	92761	Wire Lead, 22
89410	Set of Spring Cushion Keytops for Weather Map Service (Bell System Arrangement "D"), 43	90783	Adjusting Wrench, 38	93035	Bushing (Bakelite), 26
		90791	Lock Washer, 6	93039	Line Relay Unit for Sending-Receiving Printers (Without Contact Assem.), 12, 13
		91041	Wound Stator (With Base), 36		
	<u>Spring Cushion Keytops</u>	91042	Set of Parts to Apply Signal Distortion Prevention Detent to Keyboards Operating at 240 o.p.m. or less, 46		<u>Name Plates</u>
89413	(-), 41, 43, 48	91117	Contact File, 37, 38	93051	14-K Typing Unit, 29
89414	(A +), 41, 43, 48	91142	Detent Lever, 46	93052	14-AE Typing Unit, 29
89415	(D -), 40, 43, 48	91145	Detent Lever Bracket, 46, 47	93053	14-H Teletypewriter Base, 29
89416	(F -), 40, 43, 48	91193	Terminal Cover, 6	93075	Nut (15/32-32 Shoulder), 34
89417	(G \), 40, 43, 48	91200	Wound Stator (With Base), 36	93160	Washer, 1
89418	(H +), 41, 43, 48	91517	Screw (8-32 x 3/4), 46, 47	93662	Set of Parts, for .005-.025 Ampere Line Current (Assem.), 46
89419	(J -), 41, 43, 48	91518	Bracket, 46, 47	93767	Resistor - 6,600 Ohms, 46
89420	(K +), 41, 43, 48	91617	Shim, 35, 44, 45	93768	Resistor - 18,700 Ohms, 46
89421	(L \), 41, 43, 48	91621	Window, 29	93811	Gauge (.030), 38
89422	(Z +), 41, 43, 48	91683	Nut (15/32-32 Hex.), 17, 34	93814	Gauge Holder, 38
89423	(CO), 40, 43, 48	91684	Nut (15/32-32 Ring), 17	93822	Gauge (.004), 38
89424	(VD), 40, 43, 48	91685	Screw (4-48 x 1/8), 35, 36, 44, 45	93823	Gauge (.005), 38
89425	(B ⊕), 41, 43, 48	91787	Resistance (4000-4000 Ohms), 26	93824	Gauge (.018), 38
89426	(N ⊕), 41, 43, 48	91837	Washer - Fibre, 35	93825	Gauge (.025), 38
89548	Contact Spring (W.E. P-149618), 12	91888	Motor, 1/17 H.P., 110 V., D.C., 35, 45	93827	Gauge (.055), 38
		91892	Synchronous Motor, 1/40 H.P., 110 V., 60 Cycle, A.C., 36, 44	93828	Gauge (.012), 38
	<u>Name Plates</u>	91894	Synchronous Motor, 1/40 H.P., 110 V., 50 Cycle, A.C., 36	93833	Gauge (.003), 38
89716	14-L Typing Unit, 29	91899	Type Bar Segment (With Posts), 5, 49	93851	Motor 1/25 H.P., 110 V., A.C., 35, 44
89717	14-M Typing Unit, 29	91968	Offset Screw Driver, 38	93852	Motor (With Accessories), 35
89718	14-N Typing Unit, 29	92003	Name Plate, 29	93853	Set of Parts, A.C. Series Motor (Assem.), 44
89719	14-P Typing Unit, 29	92155	Motor (With Accessories), 35	93880	Bracket, 22
89720	14-R Typing Unit, 29	92156	Synchronous Motor (With Accessories), 36	93881	Condenser (Assem.), 22
89721	14-S Typing Unit, 29	92157	Set of Parts, Synchronous Motor (Assem.), 44	93885	Transmitting Contacts Filter Unit (Assem.), 22
89722	14-T Typing Unit, 29	92158	Set of Parts, 110 V., D.C., Shunt Motor (Assem.), 45	93891	Contact Guard, 33
89723	14-U Typing Unit, 29	92159	Set of Parts, 130 V., D.C. Shunt Motor (Assem.), 45	93916	Motor (With Accessories), 35
89724	14-W Typing Unit, 29			93917	Motor (With Accessories), 35
89725	14-Y Typing Unit, 29			94063	Cable (Assem.), 46
89726	14-AA Typing Unit, 29			94079	Set of Parts, Pencil Holder (Assem.), 46
89727	14-AB Typing Unit, 29			94246	Pencil Holder, 46
89728	14-J Teletypewriter Base, 29			94247	Mounting Plate, 46
89729	14-K Teletypewriter Base, 29			94268	Spring, 46
89730	14-L Teletypewriter Base, 29			94269	Set of Parts for Cover and Base Bonding Device, 46
89731	14-M Teletypewriter Base, 29			94615	Set of Parts, Print and Space Suppression Mechanism with Manual Automatic Restoration, 46
89732	14-N Teletypewriter Base, 29			94616	Set of Parts, for Instruction Card Holder (With Clip), 46
89733	14-P Teletypewriter Base, 29				
89753	Set of Governor Circuit Parts, 45				
89896	Oiler, 2, 10, 11				
89897	Nut (10-32 Hex.), 2, 10, 11				

94617	Copyholder Spacer, 31, 46,51	97466	Cable, 47
94634	Guide - Center, 34	98136	Gauge (.037"), 38
94709	Spring, 46		
95014	Set of Parts, Print and Space Suppression Mechanism (with Manual Restoration), 46,47		
95020	Code Bar, 47		
95021	Push Bar, 47		
95022	Cam Plate, 47		
95023	Push Bar Latch, 47		
95024	Bell and Break Signal Bracket, 47		
95026	Spring Clip, 47		
95027	Operating Lever, 46		
95028	Lever, 47		
95029	Operating Lever Extension, 46		
95030	Nut (6-40 Shoulder), 47		
95031	Spring Post, 47		
95032	Spacer, 47		
95033	Eccentric Bushing, 47		
95034	Push Bar Guide, 47		
95036	Drill Fixture, 47		
95316	Detent Lever, 47		
95317	Set of Parts, to Apply Signal Distortion Prevention Detent to Keyboards Operating at 240 o.p.m. or more, 47		
95320	Toggle Switch, 17		
95321	Key and Switch Unit (Assem.), 17		
95366	Open Wrench (3/8-9/16), 38		
95367	Open Wrench (1/4-5/16), 38		
95368	Screw Driver, 38		
95960	Tape Gauge, 38		
96332	Cover (Bakelite), 12		
96333	Cover (Assem.), 12		
96355	Set of Gauges (Assem.) (.002 to .010), 38		
96356	Gauge (.002), 38		
96358	Gauge (.002) Brass, 38		
96360	Gauge (.006), 38		
96362	Gauge (.007), 38		
96364	Gauge (.010), 38		
96368	Set of Gauges (Assem.) (.006 to .025), 38		
96369	Gauge (.006), 38		
96371	Gauge (.008), 38		
96373	Gauge (.010), 38		
96375	Gauge (.015), 38		
96377	Gauge (.020), 38		
96379	Set of Gauges (Assem.) (.030 to .060), 38		
96380	Gauge Holder, 38		
96383	Gauge (.035), 38		
96385	Gauge (.040), 38		
96389	Gauge (.045), 38		
96391	Gauge (.050), 38		
96393	Gauge (.060), 38		
96395	Set of Gauges (Assem.) (.065 to .080), 38		
96396	Gauge Holder, 38		
96399	Gauge (.065), 38		
96401	Gauge (.070), 38		
96403	Gauge (.075), 38		
96405	Gauge (.080), 38		
96485	Bushing (Bakelite), 12		
96576	Set of Parts, Unshift on Space - Pull Bar Blockout Mechanism, 47		
96577	Latch, 47		
96578	Bushing, 47		
96579	Bushing, 47		
96594	Bracket, 47		
96595	Set of Parts for Magnet Adjusting Bracket, 47		
96763	Shim - .012" Thick, 7		
96764	Shim - .016" Thick, 7		
96765	Shim - .020" Thick, 7		
97462	Resistor (21,300 Ohms), 47		
97465	Set of Parts, for .000- .020 Ampere Line Current, 47		