

ASP-10/1/36

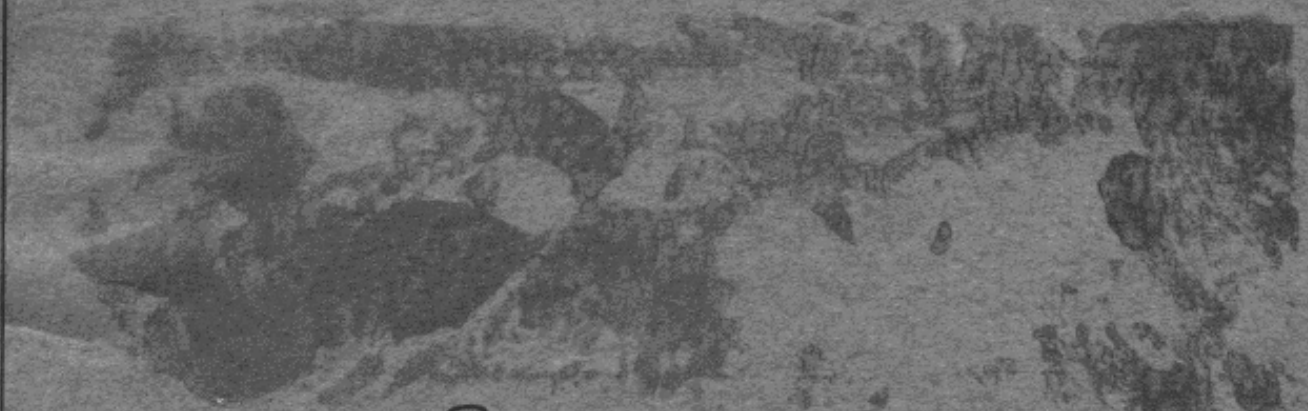
Bulletin No. 1008
Issue 3
July, 1936

TELETYPE

PRINTING TELEGRAPH SYSTEMS

PARTS

TYPE BAR PAGE PRINTER (MODEL 12)



TELETYPE

CORPORATION

SUBSIDIARY OF

Western Electric Company

CHICAGO, U.S.A.

Bulletin No. 1008
Issue 3
July, 1936

TELETYPE

PRINTING TELEGRAPH SYSTEMS

PARTS

TYPE BAR PAGE PRINTER
(MODEL 12)



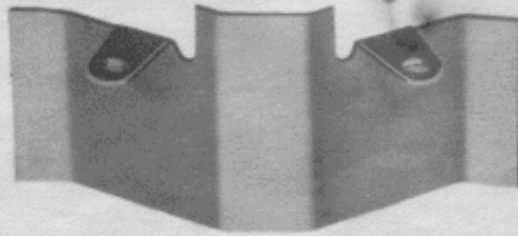
CORPORATION

SUBSIDIARY OF

Western Electric Company

CHICAGO, U.S.A.

3170



1176-SCREW
2191-WASHER

3599-NUT
1097-SCREW
3640-WASHER

9961

9472

3216

1026-SCREW
2191-WASHER

2191-WASHER
1026-SCREW

1028-SCREW
2438-WASHER

33-213-SCREW

9401

3104

3101

72635 SHIM

1168-SCREW

3112

3868

1222-SCREW

34-11-NUT

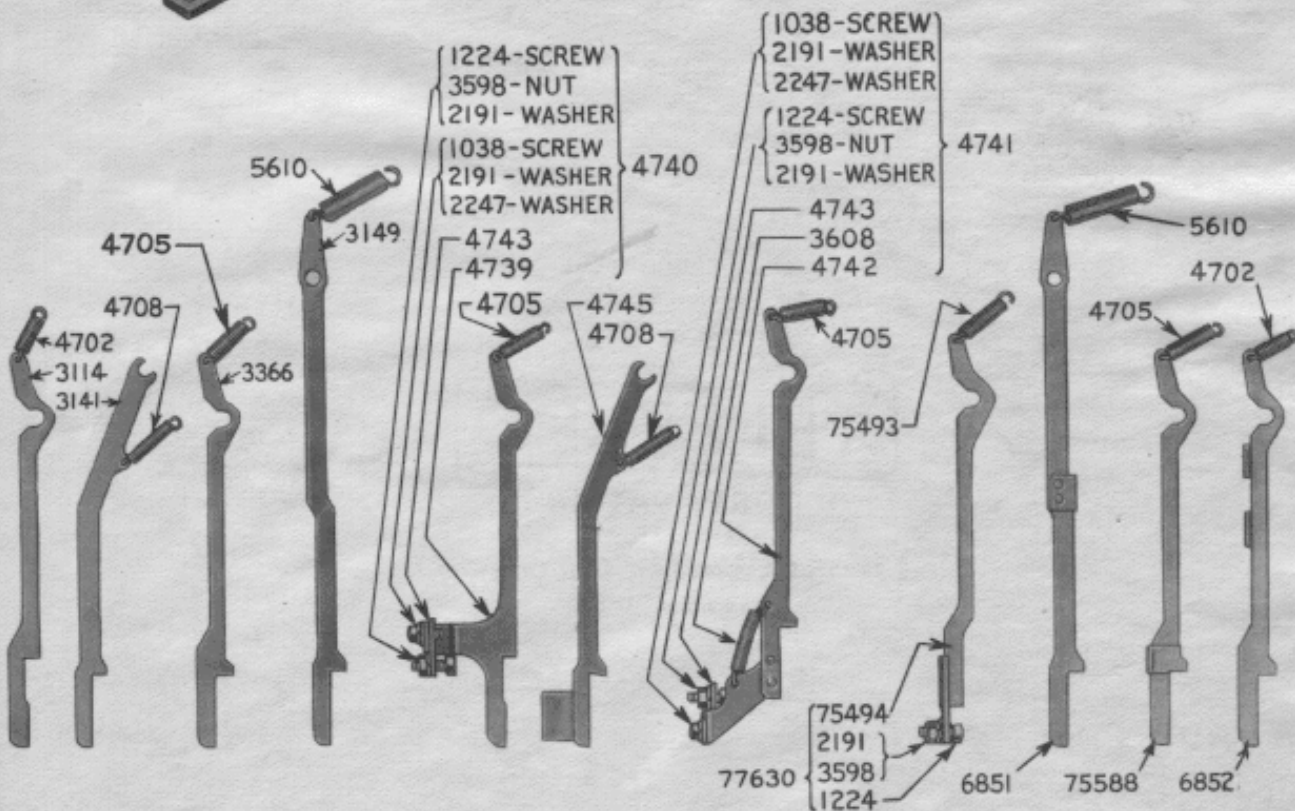
2422-WASHER

M-152

1122

SELECTOR MAGNET UNIT

8651 SEE NOTE ON PAGE #36

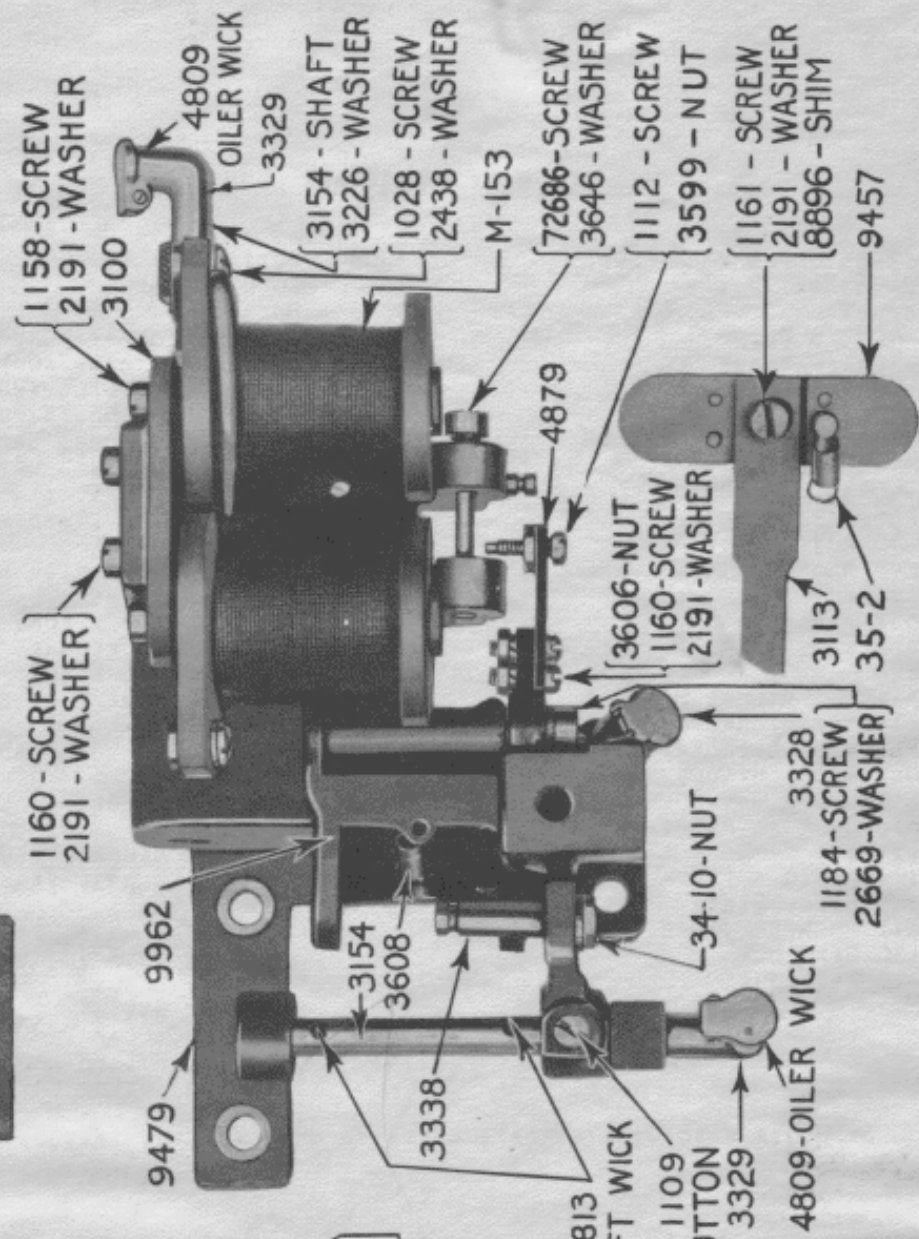
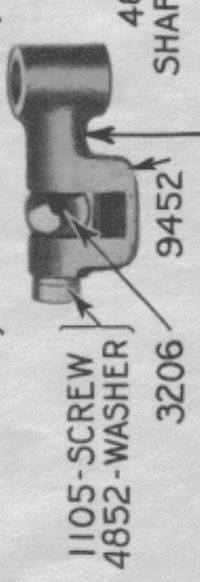
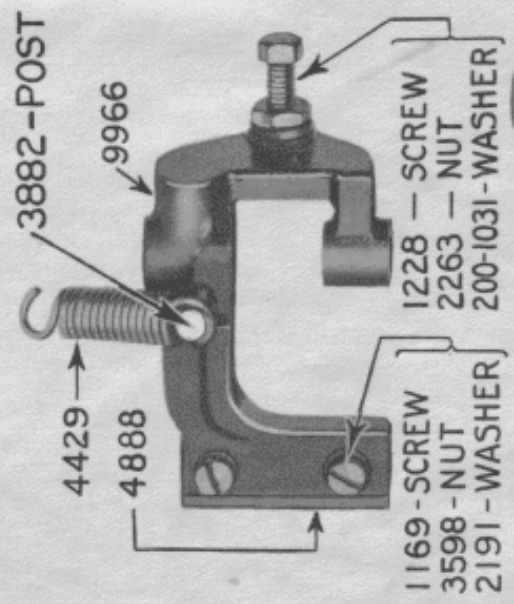


SELECTOR MAGNET UNIT AND PUSH BARS

| | |
|--|--|
| 33-213 - 3-56 Screw | 3608 - Spring |
| 34-11 - 2-56 Hex. Nut | 3640 - Lock Washer |
| M152 - Magnet | 3868 - Spring |
| 1026 - 6-40x3/8 Screw | 4702 - Spring (For standard character, and letters release push bars) |
| 1028 - 4-40x1/4 Screw | 4705 - Spring (For Line Feed) |
| 1038 - 6-40x9/32 Screw | 4708 - Spring (For Shift Push Bar) |
| 1097 - 4-40x15/32 Screw | *4739 - Bell letter Push Bar with Extension. |
| 1122 - 8-32x9/32 Screw | *4740 - Bell Letter Push Bar, Assembly (Use 4705 Spring) |
| 1168 - 4-40x5/16 Screw | *4741 - Bell Push Bar, Assembly (Use 4705 Spring) |
| 1176 - 6-40x3/16 Screw | *4742 - Bell Push Bar with Extension. |
| 1222 - 2-56x1/2 Screw | *4743 - Adjusting Plate |
| 1224 - 6-40 Adj. Screw | *4745 - Shift Push Bar (Use 4708 Spring) |
| 2191 - Lock Washer | 5610 - Spring (For release and space release push bars) |
| 2247 - Washer | 6851 - Space Release Push Bar (with Extension) |
| 2422 - Lock Washer | 6852 - Letters Release Push Bar (with Extensions) |
| 2438 - Washer | 8651 - Clip - See note on page 36 |
| 3101 - Yoke | 9401 - Armature |
| 3104 - Selector Magnet Bracket | 9472 - Terminal Block |
| 3112 - Selector Plunger | 9961 - Selector Magnet Frame |
| 3114 - Standard Character Push Bar (Use 4702 Spring) | 72635 - Shim |
| 3141 - Shift Push Bar (Use 4708 Spring) | 75493 - Spring for Carriage Return Push Bar (New Style) |
| 3149 - Release Push Bar (Use 5610 Spring) | 75494 - Carriage Return and Rubout Push Bar (New Style) |
| 3170 - Oil Shield | 75588 - Line Feed Push Bar (Use 4705 Spring) |
| 3216 - Stop Screw Plate | 77630 - Carriage Return and Rubout Push Bar (with Adjusting Screw and Nut) |
| 3366 - Bell Push Bar (Use 4705 Spring) | |
| 3598 - 6-40 Hex. Nut | |
| 3599 - 4-40 Hex. Nut | |

* Used on printers with bell signals operated on a shifted letter.

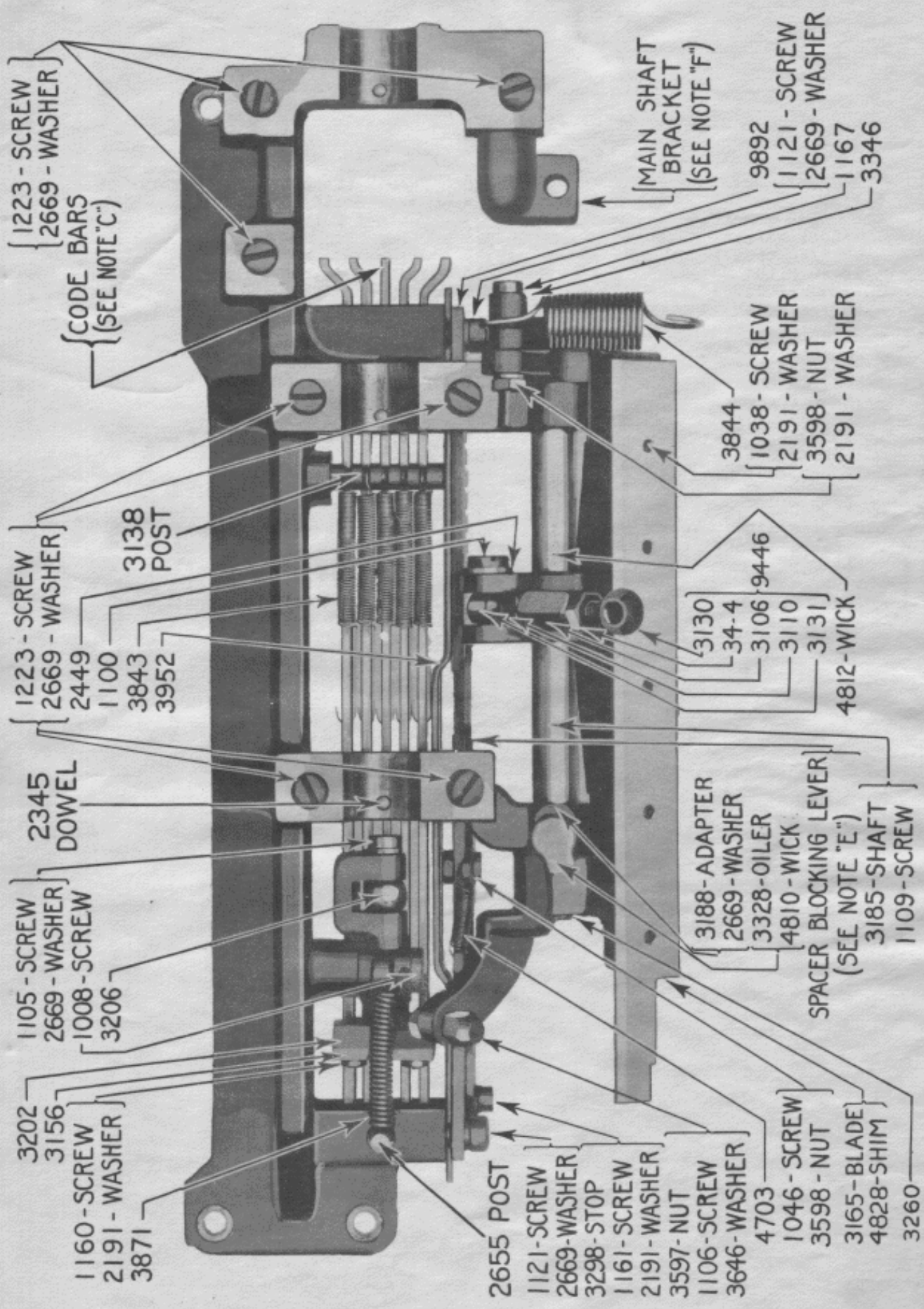
SEE PAGE #29 FOR NEW STYLE CLUTCH THROWOUT LEVER SPRING AND SPRING BRACKET



SIXTH PULSE UNIT

SIXTH PULSE UNIT

| | |
|--|---|
| 34-10 - 8-40 Hex. Nut | 3226 - Washer (Used on Clutch Throw-out Lever Shaft) |
| 35-2 - Spring | 3273 - Leather Buffer |
| M153 - 6th Pulse Magnet | 3328 - Oiler |
| 200-1031 - Lock Washer | 3329 - Oiler |
| 1028 - 4-40x1/4 Screw | 3338 - Spring Post |
| 1105 - 3/16-40 Pilot Screw | 3598 - 6-40 Hex. Nut |
| 1109 - 10-32x7/32 Screw | 3599 - 4-40 Hex. Nut |
| 1112 - 4-40x1/2 Screw | 3606 - 6-40 Hex. Nut |
| 1158 - 6-32x5/16 Screw | 3608 - Spring |
| 1160 - 6-40x5/16 Screw | 3646 - Lock Washer |
| 1161 - 6-40x1/4 Screw | 3882 - Post |
| 1169 - 6-40x7/16 Screw | 4429 - Spring |
| 1184 - 3/16-40 Screw | 4809 - Oiler Wick |
| 1228 - 8-32x3/4 Screw | 4813 - Shaft Wick |
| 2191 - Lock Washer | 4852 - Lock Washer |
| 2247 - Washer | 4879 - Cut-out Lever Arm |
| 2263 - 8-32 Hex. Nut | 4888 - Selector Reset Bail Blade |
| 2438 - Washer | 8896 - Shim |
| 2669 - Lock Washer | 9452 - Selector Reset Bail Roller Arm |
| 3100 - 6th Pulse Magnet Yoke | 9457 - 6th Pulse Magnet Armature |
| 3113 - 6th Pulse Magnet Armature Lever | 9479 - 6th Pulse Magnet Bracket |
| 3154 - Shaft | 9962 - 6th Pulse Cut-out Lever |
| 3178 - Button | 9966 - Selector Reset Bail Casting |
| 3206 - Roller | 72686 - 8-40 Pilot Screw |



MAIN SHAFT BRACKET

MAIN SHAFT BRACKET

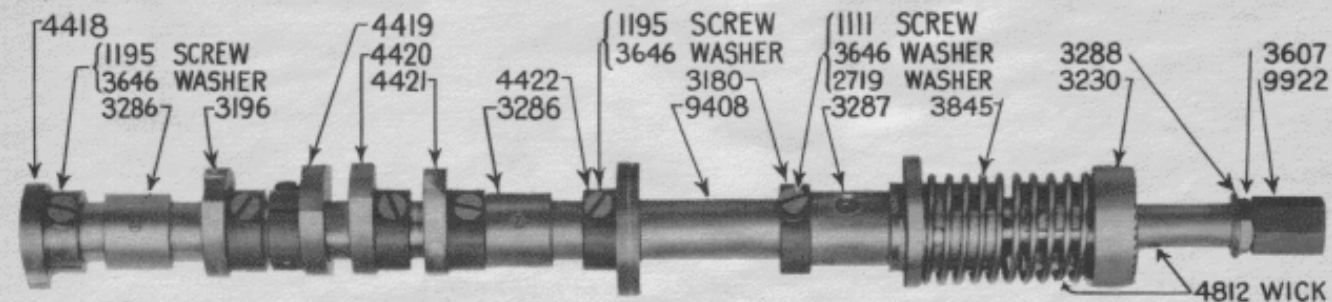
| | |
|--|-----------------------------------|
| 34-4 - 10-32 Hex. Nut | 3597 - 5/32x40 Hex. Nut |
| 1008 - 3/16-40 Shoulder Screw | 3598 - 6-40 Hex. Nut |
| 1038 - 6-40x9/32 Screw | 3646 - Lock Washer |
| 1046 - 6-40 Shoulder Screw | 3843 - Spring |
| 1100 - 1/4-32 Pilot Screw | 3844 - Spring |
| 1105 - 3/16-40 Pilot Screw | 3871 - Spring |
| 1106 - 5/32-40 Adj. Screw | 3952 - Push Bar Upstop |
| 1109 - 10-32x7/32 Screw Plug (in Ends of Shaft) | 4703 - Spring |
| 1121 - 10-32x3/8 Screw | 4810 - Oiler Wick |
| 1160 - 6-40x5/16 Screw | 4812 - Shaft Wick |
| 1161 - 6-40x1/4 Screw | 4828 - Striker Bail Shim |
| 1167 - 6-40 Shoulder Screw | *6760 - Shim |
| 1223 - 10-32x1/2 Screw | 9446 - Striker Bail Link (Assem.) |
| 2191 - Lock Washer | 9892 - Push Bar Guide |
| 2345 - Dowel | |
| 2449 - Lock Washer | |
| 2655 - Post | |
| 2669 - Lock Washer | |
| 3106 - Adjusting Link Nut | |
| 3110 - 10-32 Lock Nut (L.H.) | |
| 3130 - Link End (R.H., Short) | |
| 3131 - Link End (L.H., Short) | |
| 3138 - Post | |
| 3156 - Code Bar Lock Lever Blade | |
| 3165 - Striker Bail Blade | |
| 3185 - Striker Bail Shaft | |
| 3188 - Oiler Adapter | |
| 3202 - Code Bar Lock Lever | |
| 3206 - Roller | |
| 3260 - Striker Bail Casting | |
| 3298 - Eccentric Stop | |
| 3328 - Oiler | |
| 3346 - Roller | |

NOTE C: Code Bars. See pages 25, 26, and 27 if type of printer varies from those referred to on these pages, specify number stamped on bar and serial number of printer.

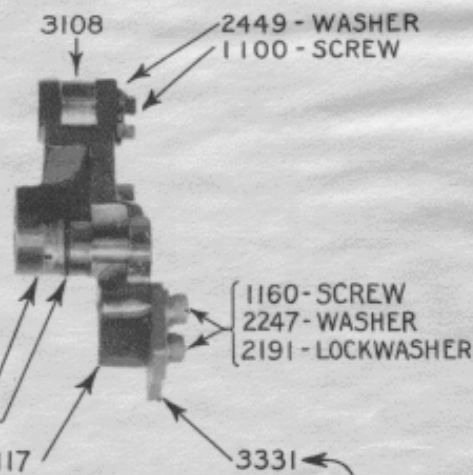
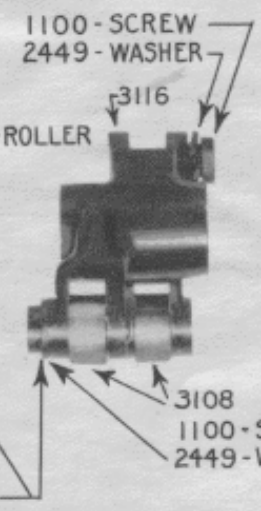
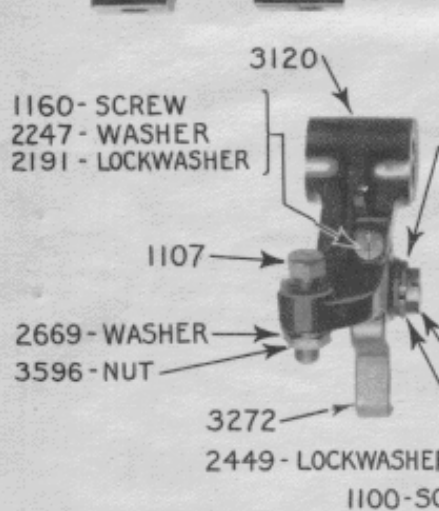
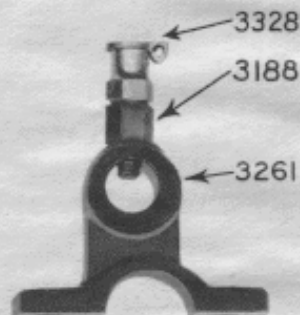
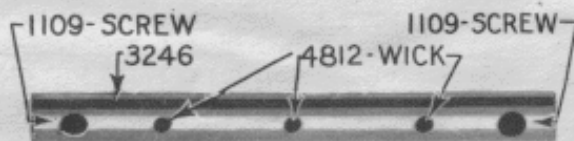
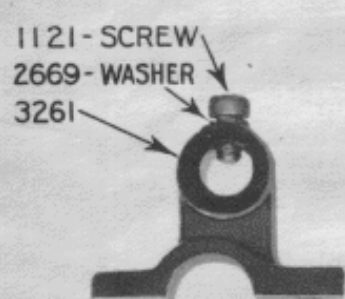
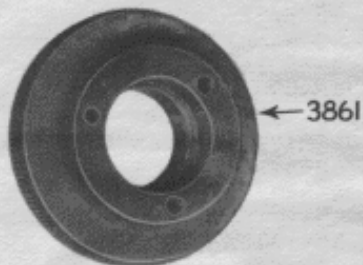
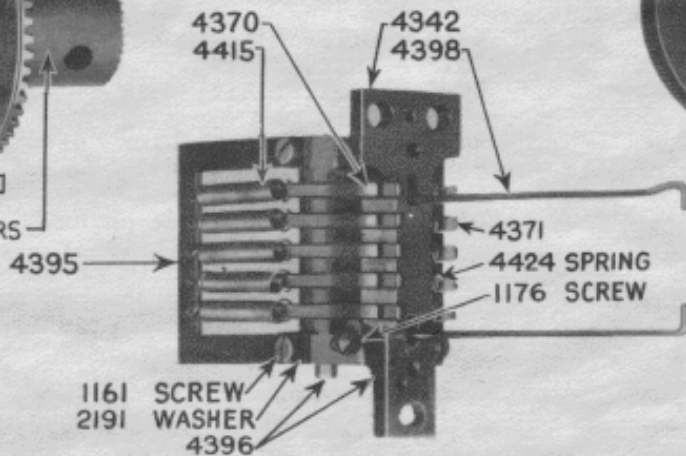
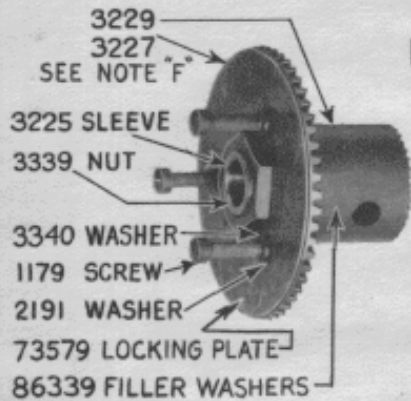
NOTE E: Spacer Blocking Lever. This lever differs in various types of printers. Order by name giving serial number of printers. (For example order: Spacer Blocking Lever for Printer No. 1032)

NOTE F: Mainshaft Bracket. On printers up to and including serial No. 1110, order No. 9436; on printers with serial numbers above 1110, order No. 9829.

* Not shown on photograph. Is used between 3156 code bar lock lever blade and 3202 lock lever.



MAIN SHAFT ASSEMBLY



FOR NEW DESIGN CAM AND ROLLER SEE PAGE #30

SPACER
 ROCKER ASSEMBLY

STRIKER BAIL
 ROCKER ASSEMBLY

DEPRESSING BAIL
 ROCKER ASSEMBLY

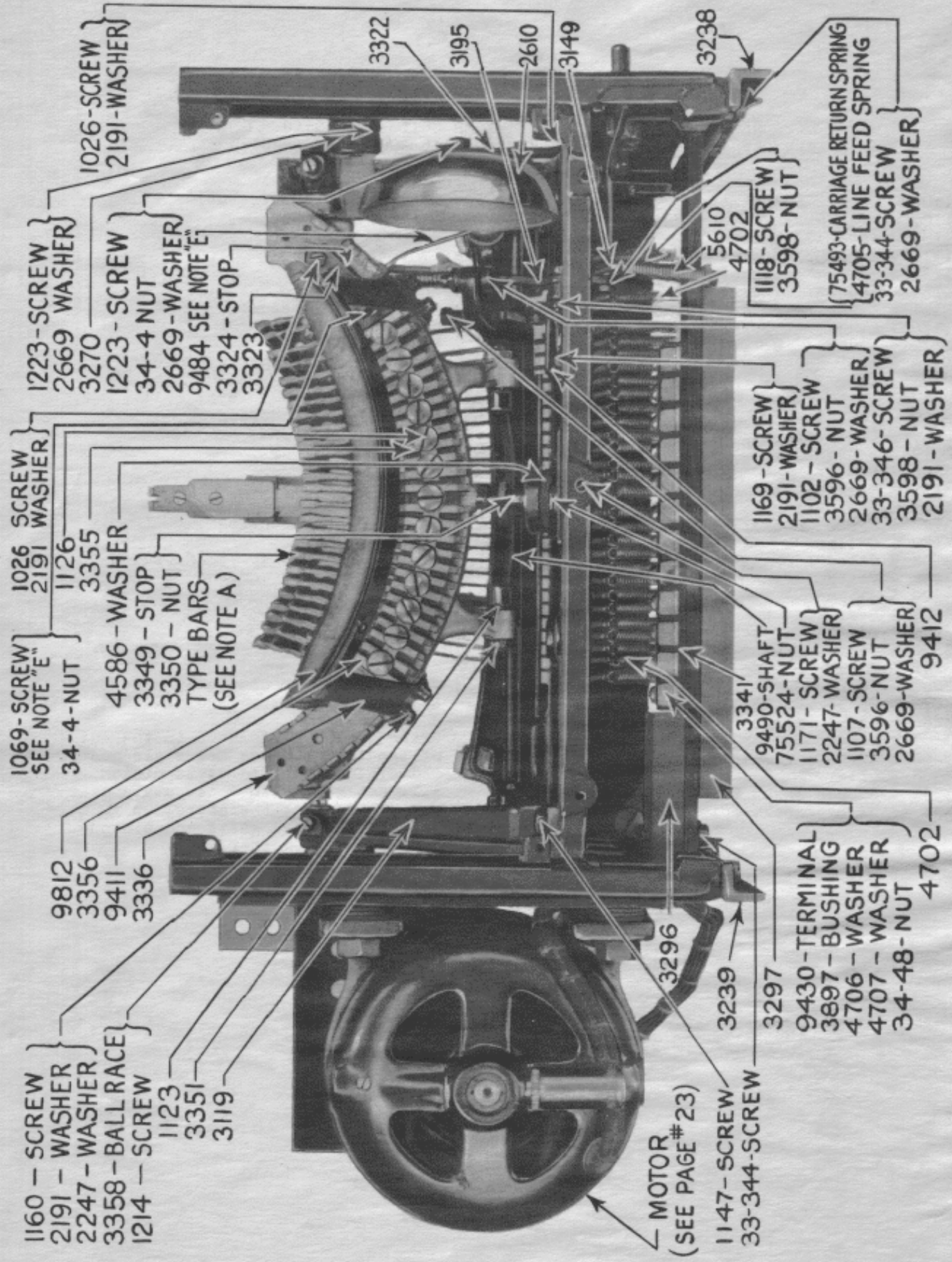
MAIN SHAFT AND SELECTOR LEVER UNIT ASSEMBLIES
SPACER, STRIKER BAIL AND DEPRESSING BAIL ROCKER ASSEMBLIES

- 1100 - 1/4-32 Pilot Screw
- 1107 - 3/16-40x11/16 Screw
- 1109 - 10-32x7/32 Screw
- 1111 - 8-32x5/16 Screw
- 1121 - 10-32x3/8 Screw
- 1160 - 6-40x5/16 Screw
- 1161 - 6-40x1/4 Screw
- 1176 - 6-40x3/16 Screw
- 1179 - 6-40x5/8 Screw
- 1195 - 8-32 Screw
- 2191 - Lock Washer
- 2247 - Washer
- 2449 - Lock Washer
- 2669 - Lock Washer
- 2719 - Washer
- 3108 - Roller
- 3116 - Striker Bail Rocker
- 3117 - Depressing Bail Rocker
- 3120 - Spacer Rocker
- 3180 - Collar
- 3188 - Oiler Adapter
- 3196 - Spacer Cam
- 3225 - Sleeve
- 3227 - Gear (See Note F)
- 3229 - Driving Clutch
- 3230 - Driven Clutch
- 3246 - Rocker Shaft
- 3261 - Rocker Shaft Bearing
- 3272 - Spacer Rocker Extension
- 3286 - Short Bushing
- 3287 - Long Bushing
- 3288 - Washer
- 3328 - Oiler
- 3331 - Ribbon Throw Cam (See Page 30)
- 3339 - 9/16-32 Hex. Nut

- 3340 - Lock Washer (Under Nut)
- 3596 - 3/16-40 Hex. Nut
- 3607 - 5/16-32 Hex. Nut
- 3646 - Lock Washer
- 3845 - Clutch Spring
- 3861 - Knob
- 4342 - Selector Bracket
- 4370 - Selector Lever
- 4371 - Selector Latch
- 4395 - Selector Lever Spring Plate
- 4396 - Selector Shaft
- 4398 - 6th Pulse Cut-out Lever Bail
- 4415 - Selector Lever Spring
- 4418 - Code Bar Lock Cam
- 4419 - Striker Bail Cam
- 4420 - Safety Cam
- 4421 - Depressing Bail Cam
- 4422 - Selector Reset Cam
- 4424 - Selector Latch Spring
- 4812 - Wick
- 9408 - Main Shaft with No. 3228 Clutch
Throw-out Reset Cam and 3248 Pin
- 9922 - Oiler
- 73579 - Locking Plate
- 86339 - Filler Washer

NOTE F: #3227 gear is replaced by a new style gear #3227 marked "DCG."

Owing to the difference in the cut of the teeth of the new style gears and pinions, an old style pinion will not mesh with a new style gear and vice versa; therefore, only similarly marked gears and pinions can be used together.

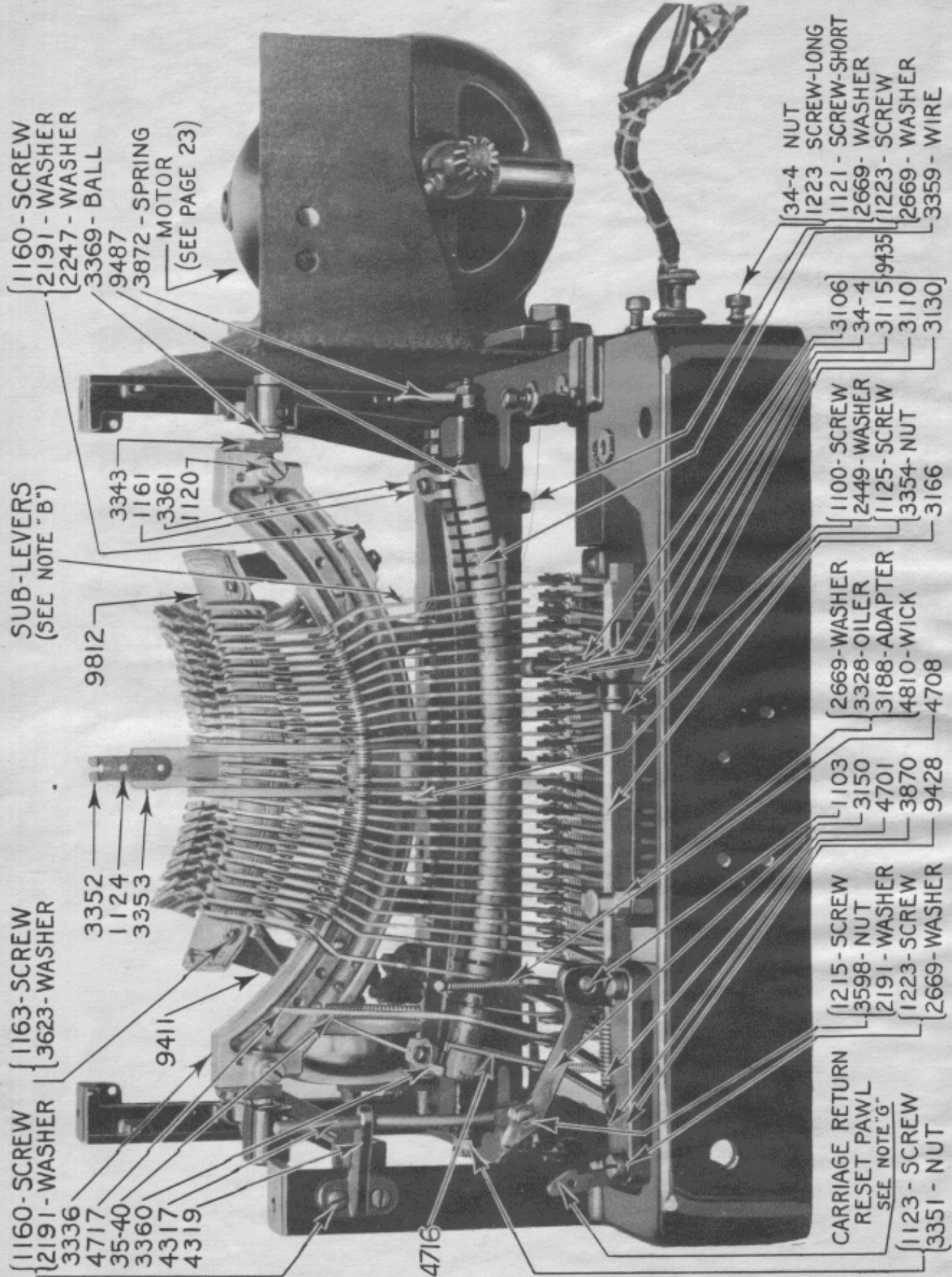


MISCELLANEOUS BODY PARTS

- | | |
|---|---|
| 33-344 - 10-32x3/4 Screw | 3356 - Left Type Bar Hanger Clamping Plate |
| 33-346 - 6-40 Shoulder Screw | 3358 - Ball Race |
| 34-4 - 10-32 Hex. Nut | 3596 - 3/16-40 Hex. Nut |
| 34-48 - 6-32 Hex. Nut | 3598 - 6-40 Hex. Nut |
| 1026 - 6-40x3/8 Screw | 3897 - Bushing |
| 1069 - 10-32 Shoulder Screw (See Note E) | 4586 - Felt Washer |
| 1102 - 3/16-40 Screw | 4702 - Spring (for all Character Push Bars) |
| 1107 - 3/16-40x11/16 Screw | 4705 - Spring |
| 1118 - 6-40 Shoulder Screw | 4706 - Washer (Fibre) |
| 1123 - 3/16-30 Screw | 4707 - Washer (Brass) |
| 1126 - .148-32x17/32 Screw | 5610 - Spring (Release Push Bar) |
| 1147 - 5/16-32x1/2 Screw | 9411 - Type Bar Pad Mounting |
| 1160 - 6-40x5/16 Screw | 9412 - Shift Latch Bracket |
| 1169 - 6-40x7/16 Screw | 9430 - Terminal |
| 1171 - 6-32x3/16 Screw | 9484 - Gong Hammer Lever (See Note E) |
| 1214 - 10-32 Screw | 9490 - Shift Shaft (with 3147 Shift Lever, 9400 Shift Adjusting Lever, and 36-39 Rivet) |
| 1223 - 10-32x1/2 Screw | 9812 - Type Bar Pad |
| 2191 - Lock Washer | 75493 - Spring (Carriage Return Push Bar) |
| 2247 - Washer | 75524 - Adj. Stop Nut |
| 2610 - Gong | 82708 - Gong Hammer Lever (See Note E) |
| 2669 - Lock Washer | 82730 - 10-32 Screw (See Note E) |
| 3119 - Left Basket Support | |
| 3149 - Release Push Bar | |
| 3195 - Shift Latch | |
| 3238 - Right Rail | |
| 3239 - Left Rail | |
| 3270 - Right Basket Support | |
| 3296 - Cable Guard | |
| 3297 - Terminal Guard | |
| 3322 - Gong Bracket | |
| 3323 - Gong Hammer Bracket | |
| 3324 - Stop | |
| 3336 - Type Bar Segment | |
| 3341 - Slip Connection Strip | |
| 3349 - Stop | |
| 3350 - 3/16-30 Hex. Nut | |
| 3351 - 3/16-30 Hex. Nut | |
| 3355 - Right Type Bar Hanger Clamping Plate | |

NOTE A: Type Bars. See pages 25, 26, and 27 if type of printer varies from those referred to on these pages, specify number stamped on bar and serial number of printer.

NOTE E: The new gong hammer lever may be ordered as #82708. The #1069 gong hammer lever mounting screw must be replaced by the #82730 screw when the new gong hammer lever is used.



{ 1160 - SCREW
2191 - WASHER
2247 - WASHER
3369 - BALL
9487
3872 - SPRING
MOTOR
(SEE PAGE 23)

SUB-LEVERS
(SEE NOTE "B")

3343
1161
3361
1120

9812

{ 1163 - SCREW
3623 - WASHER

3352
1124
3353

{ 1160 - SCREW
2191 - WASHER
3336
4717
35-40
3360
4317
4319

9411

4716

34-4 NUT
1223 SCREW-LONG
1121 - SCREW-SHORT
2669 - WASHER
1223 - SCREW
2669 - WASHER
3359 - WIRE

3106
34-4
3115
9435
3110
3130

{ 1100 - SCREW
2449 - WASHER
1125 - SCREW
3354 - NUT
3166

{ 2669 - WASHER
3328 - OILER
3188 - ADAPTER
4810 - WICK
4708

1103
3150
4701
3870
9428

{ 1215 - SCREW
3598 - NUT
2191 - WASHER
1223 - SCREW
2669 - WASHER

CARRIAGE RETURN
RESET PAWL
SEE NOTE "G"
1123 - SCREW
3351 - NUT

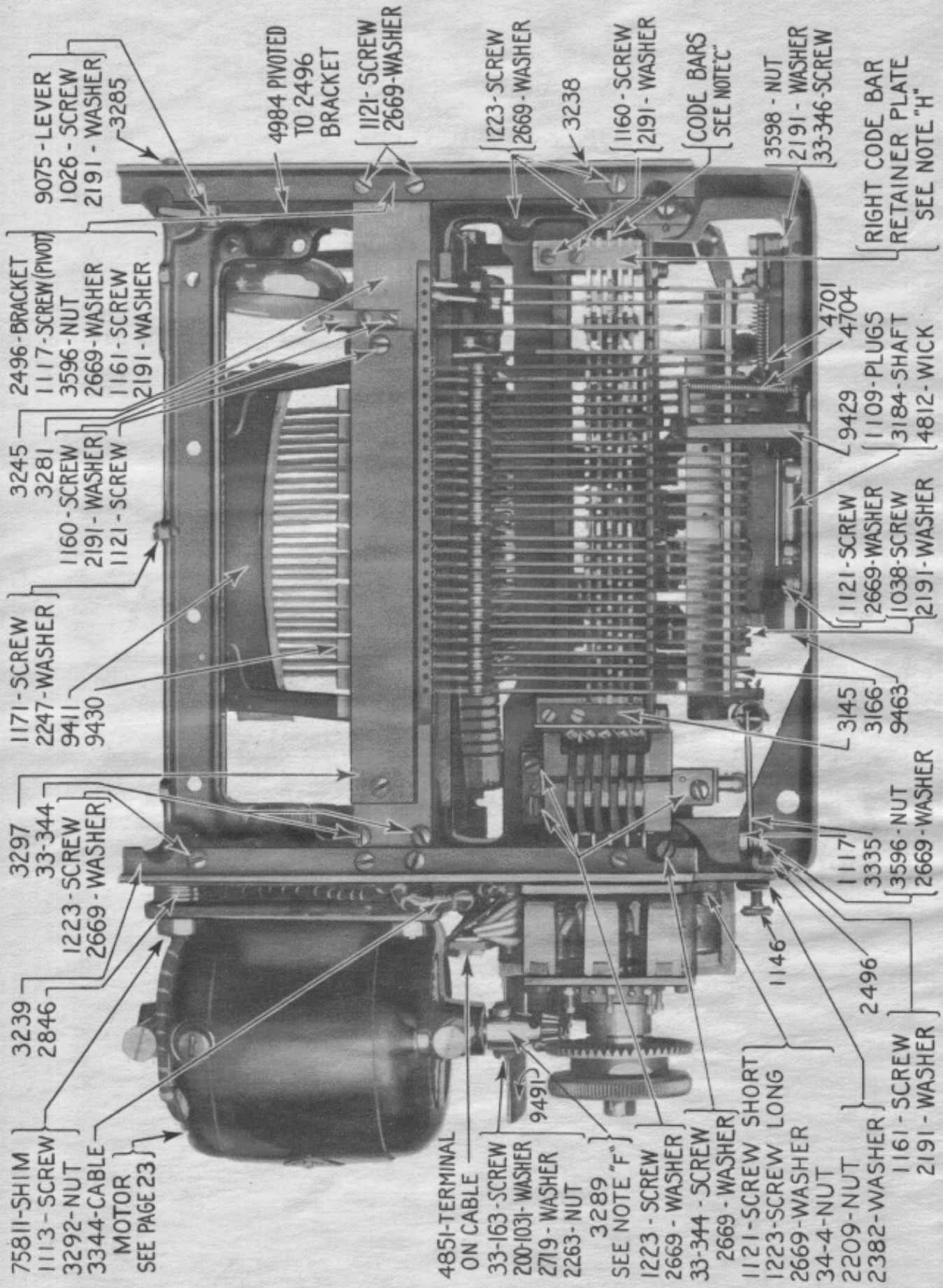
MISCELLANEOUS BODY PARTS

- | | |
|------------------------------------|--|
| 34-4 - 10-32 Hex. Nut | 3360 - Right Sublever Fulcrum Wire Clamp |
| 35-40 - Spring | 3361 - Left Sublever Fulcrum Wire Clamp |
| 1100 - 1/4-32 Screw | 3369 - Segment Ball |
| 1103 - 3/16-40 Screw | 3598 - 6-40 Hex. Nut |
| 1120 - 5/32-32x5/16 Screw | 3623 - Washer |
| 1121 - 10-32x3/8 Screw | 3870 - Spring |
| 1123 - 3/16-30 Screw | 3872 - Shift Shaft Balance Spring |
| 1124 - 1/8-40 Screw | *4317 - Carriage Return Release Rod |
| 1125 - 8-32 Screw | *4319 - Carriage Return Release Rod Guide |
| 1160 - 6-40x5/16 Screw | 4701 - Spring |
| 1161 - 6-40x1/4 Screw | 4708 - Spring |
| 1163 - 4-40x3/16 Screw | 4716 - Carriage Return Push Bar Bearing (Assem.) |
| 1215 - 6-40 Screw | 4717 - Line Feed Upright |
| 1223 - 10-32x1/2 Screw | 4810 - Wick |
| 2191 - Lock Washer | 9411 - Type Bar Pad Mounting |
| 2247 - Washer | 9428 - Carriage Return Latch Bracket |
| 2449 - Lock Washer | 9435 - Depressing Bail Link (Assem.) |
| 2669 - Lock Washer | 9487 - Sublever Segment |
| 3106 - 10-32 Turnbuckle | 9812 - Type Bar Pad |
| 3110 - 10-32 Hex. Nut (L.H.) | |
| 3115 - Link End (Long) | |
| 3130 - Link End (R.H., Short) | |
| 3150 - Carriage Return Reset Lever | |
| 3166 - Depressing Ball Blade | |
| 3188 - Oiler Adapter | |
| 3328 - Oiler | |
| 3336 - Type Bar Segment | |
| 3343 - Inner Ball Race | |
| 3351 - 3/16-30 Nut | |
| 3352 - Type Bar Guide | |
| 3353 - Type Bar Guide Bracket | |
| 3354 - 8-32 Hex. Nut | |
| 3359 - Fulcrum Wire | |

NOTE B: Type Bar Sublevers: See pages 25, 26, and 27, or order by number stamped on sublever which is same as number stamped on type bar.

NOTE G: Carriage Return Reset Pawl. On printers up to and including serial No. 1110, order No. 3193; on printers with serial numbers above No. 1110, order No. 3953.

- * Release rod originally made 5/32 diameter and later changed to 7/32. If printers are equipped with old style parts and it is necessary to replace either one of them order both parts since old style parts are not carried in stock.



MISCELLANEOUS BODY PARTS

33-163 - 8-32x7/8 Screw
 33-344 - 10-32x3/4 Screw
 33-346 - 6-40 Screw
 34-4 - 10-32 Hex. Nut
 200-1031 - Lock Washer
 1026 - 6-40x3/8 Screw
 1038 - 6-40x9/32 Screw
 1109 - 10-32x7/32 Screw Plug
 1113 - 1/4-20 Screw
 1117 - 3/16-40 Screw
 1121 - 10-32x3/8 Screw
 1146 - 3/16-40 Screw
 1160 - 6-40x5/16 Screw
 1161 - 6-40x1/4 Screw
 1171 - 6-32x3/16 Screw
 1223 - 10-32x1/2 Screw
 2191 - Lock Washer
 2209 - 3/16-40 Adj. Nut
 2247 - Washer
 2263 - 8-32 Hex. Nut
 2382 - Lock Washer
 2496 - Bracket
 2669 - Lock Washer
 2719 - Washer
 2846 - Washer
 3145 - Code Bar Retainer Plate
 3166 - Depressing Bail Blade
 3184 - Depressing Bail Shaft
 3238 - Right Rail
 3239 - Left Rail
 3245 - Push Bar Spring Bracket
 3281 - Release Push Bar Spring
 Bracket
 3285 - Release Button
 3289 - Motor Pinion (See Note F)
 3292 - 1/4-20 Hex. Nut
 3297 - Terminal Guard
 3335 - Striker Spring Adjusting Lever

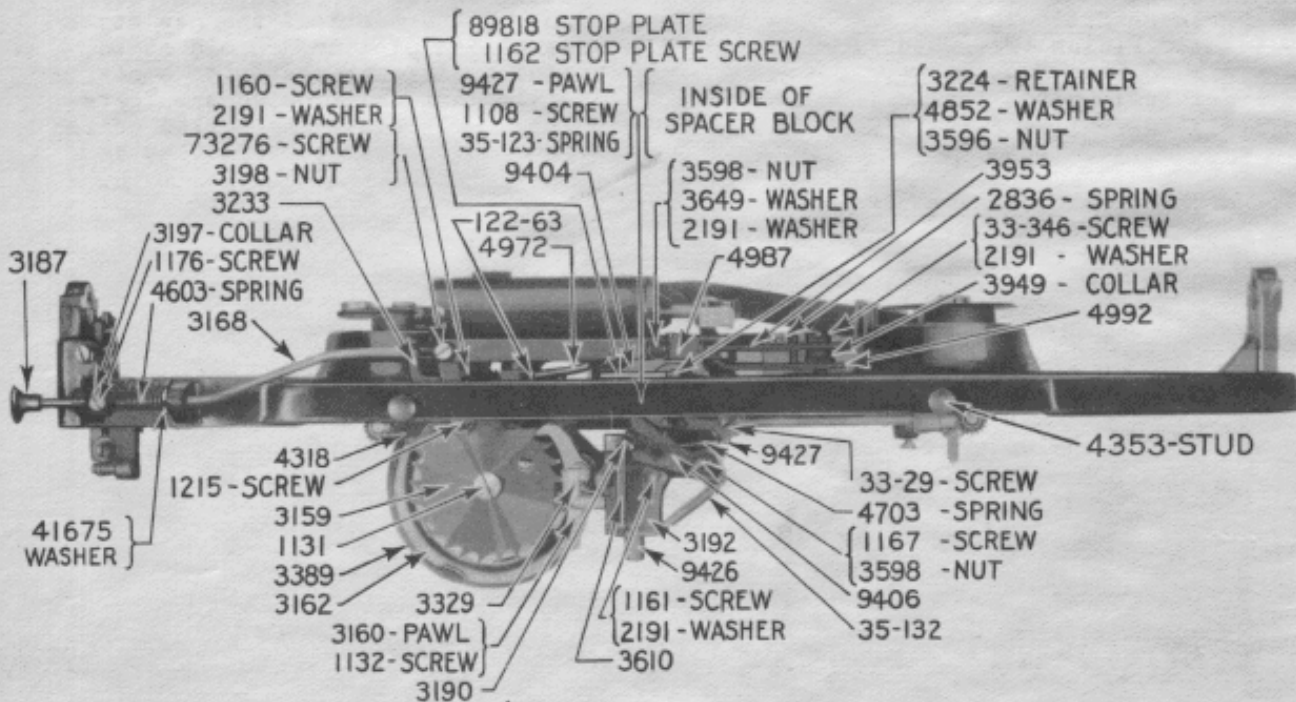
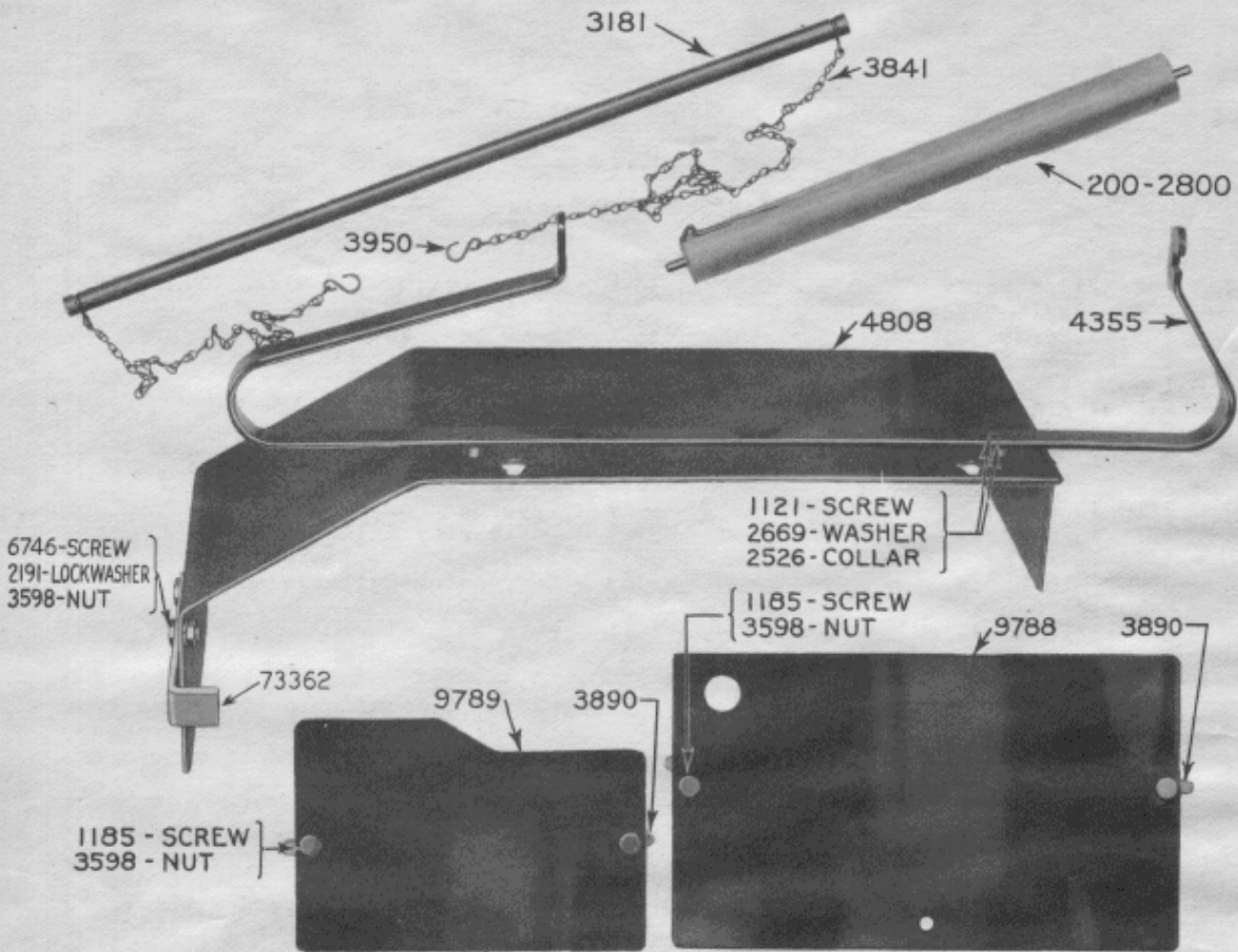
3344 - Cable (with 4851 Wire Terminals)
 3596 - 3/16-40 Hex. Nut
 3598 - 6-40 Hex. Nut
 4701 - Spring
 4704 - Spring
 4812 - Wick
 4851 - Terminal on Cable
 4984 - Bell Crank
 9075 - Lever
 9411 - Type Bar Pad Mounting
 9429 - Depressing Bail Bracket
 9430 - Terminal
 9463 - Depressing Bail Frame
 9491 - Motor Guard
 75811 - Shim

NOTE C: Code Bars. See pages 25, 26, and 27 if type of printer varies from those referred to on these pages, specify number stamped on bar and serial number of printer.

NOTE H: Code Bar Retainer Plate. Right hand. On printers up to and including serial No. 1110, order No. 4410; on printers with serial numbers above No. 1110, order No. 3145.

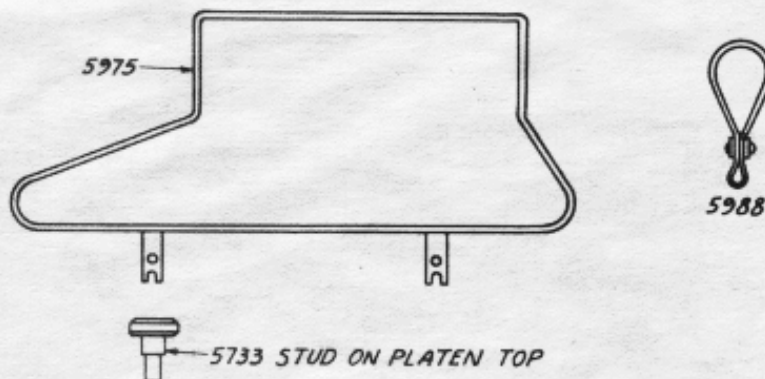
NOTE F: #3289 Pinion is replaced by a new style pinion #3289 marked "DCG".

Owing to the difference in the cut of the teeth of the new style gears and pinions, an old style pinion will not mesh with a new style gear and vice versa. Therefore, only similarly marked gears and pinions can be used together.

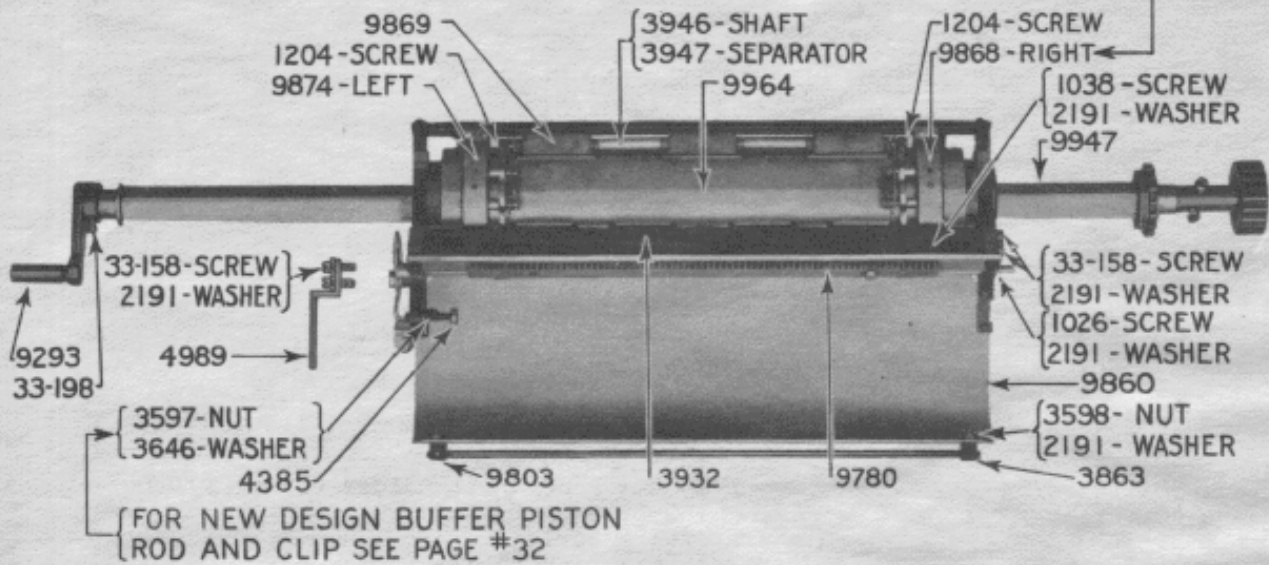


PANELS, PAPER HOLDER AND SLACK BAR
MISCELLANEOUS TOP PARTS

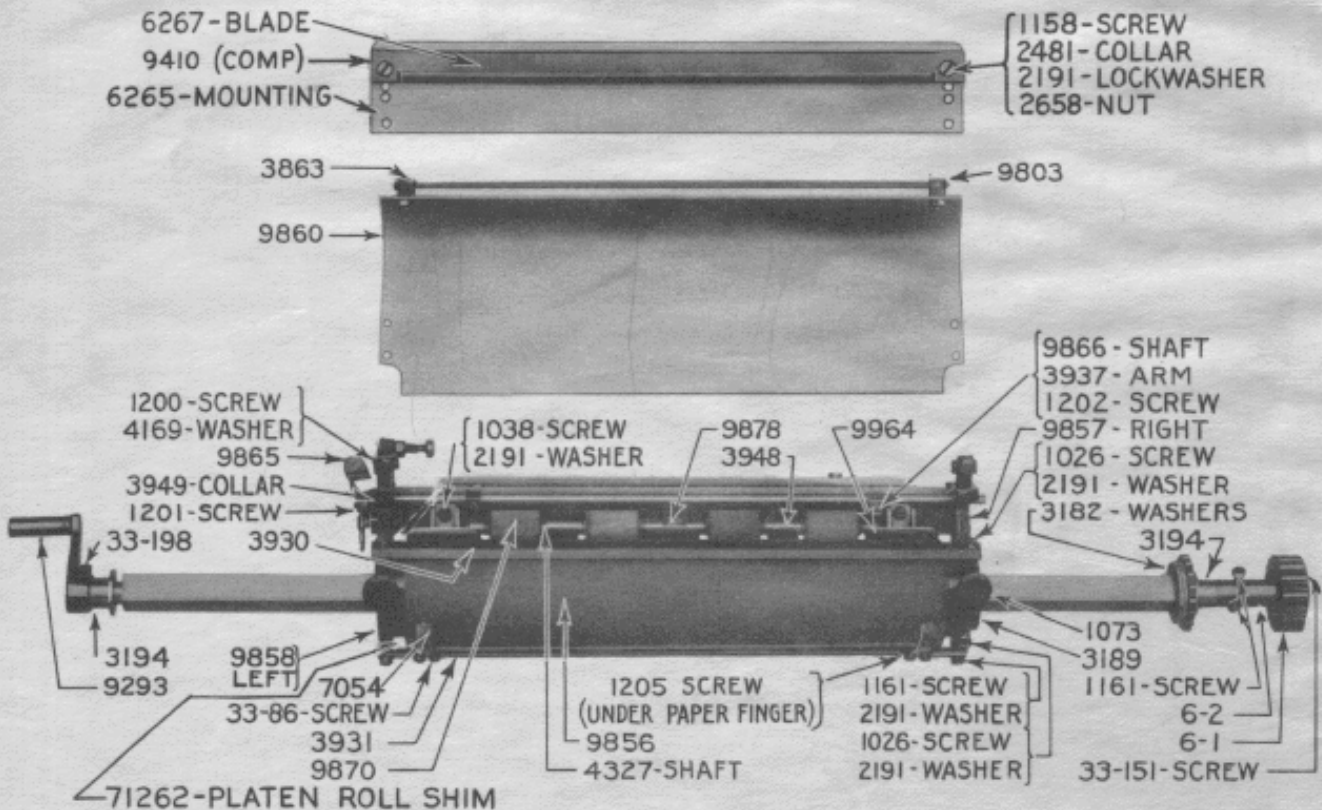
| | |
|--------------------------------------|---------------------------------------|
| 33-29 - 6-40 Shoulder Screw | 3389 - Draw Strap |
| 33-346 - 6-40 Shoulder Screw | 3596 - 3/16-40 Hex. Nut |
| 35-123 - Spring | 3598 - 6-40 Hex. Nut |
| 35-132 - Spring | 3610 - Spring |
| 122-63 - Post | 3649 - Washer |
| 200-2800 - Paper Spindle | 3841 - Cord |
| 1108 - 6-40 Feed Pawl Screw | 3890 - Clip |
| 1121 - 10-32x3/8" Screw | 3949 - Collar |
| 1131 - 6-32x3/16 Screw | 3950 - Hook |
| 1132 - Shoulder Screw | 3953 - Lock Pawl |
| 1160 - 6-40x5/16 Screw | 4318 - Bell Crank |
| 1161 - 6-40x1/4" Screw | 4353 - Stud |
| 1162 - 4-40x1/4 Screw | 4355 - Paper Roll Holder (Order 5975) |
| 1167 - 6-40 Screw | 4603 - Spring |
| 1176 - 6-40x3/16 Screw | 4703 - Spring |
| 1185 - 6-40 Thumb Screw | 4808 - Back Panel |
| 1215 - 6-40 Shoulder Screw | 4852 - Lock Washer |
| 2191 - Lock Washer | 4972 - Spring |
| 2526 - Collar | 4987 - Link |
| 2669 - Lock Washer | 4992 - Rack Retaining Plate |
| 2836 - Spring | 5733 - Stud |
| 3159 - Escapement Wheel | 5975 - Paper Roll Holder (New Style) |
| 3160 - Escapement Pawl | 5988 - Paper Spindle Brake |
| 3162 - Spring Drum | 6746 - 6-40 Hex. Screw |
| 3168 - Push Rod | 9404 - Carriage Return Disc |
| 3181 - Slack Bar | 9406 - Carriage Return Latch |
| 3187 - Push Button | 9426 - Spacer Block |
| 3190 - Spring Post | 9427 - Pawl |
| 3192 - Cover Plate | 9788 - Front Panel |
| 3197 - Collar | 9789 - Side Panel |
| 3198 - 6-40 Lock Nut | 41675 - Washer |
| 3224 - Carriage Return Disc Retainer | 73276 - Shoulder Screw |
| 3233 - Bracket | 73362 - Bracket |
| 3329 - Oiler | 89818 - Stop Plate |



FOR DEVICE FOR ADJUSTING THE TENSION
OF THE PRESSURE ROLLS SEE PAGE #31



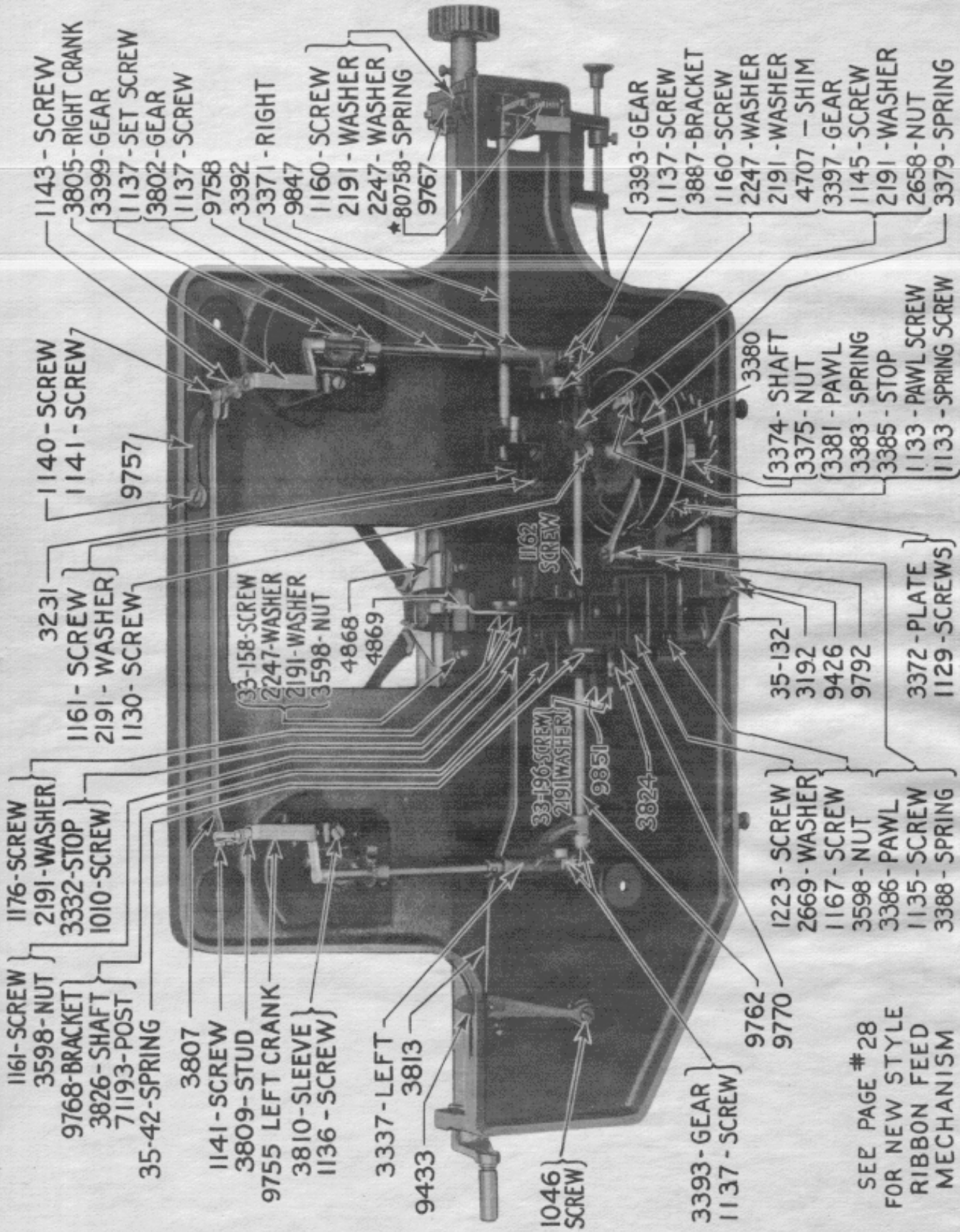
SEE PAGE 33 FOR SINGLE DOUBLE LINE SPACE PARTS



PLATEN ROLL AND SHAFT ASSEMBLIES - TOP PARTS

| | |
|---|---|
| 6-1 - Thumb Wheel | 3946 - Pressure Roll Shaft |
| 6-2 - Sleeve | 3947 - Front Separator |
| 33-86 - 4-40x1/8 Screw | 3948 - Back Separator (Short) |
| 33-151 - 4-40x1/4 Screw | 3949 - Collar |
| 33-158 - 6-40x1/2 Screw | 4169 - Lock Washer |
| 33-198 - 6-40x1/4 Screw | 4327 - Back Pressure Roll Shaft |
| 1026 - 6-40x3/8 Screw | 4385 - 5/32-40 Plunger Return Screw |
| 1038 - 6-40x9/32 Screw | 4989 - Release Arm |
| 1073 - 6-40 Thumb Screw | 6265 - Paper Cutter Mtg. |
| 1158 - 6-32x5/16 Screw | 6267 - Paper Cutter Blade |
| 1161 - 6-40x1/4 Screw | 7054 - Paper Finger |
| 1200 - 6-40x9/32 Screw | 9293 - Crank |
| 1201 - 6-40 Shoulder Screw | 9410 - Paper Cutter (Assem.) |
| 1202 - 5/32-50x5/32 Screw | 9780 - Rack Mounting |
| 1204 - Pivot Screw | 9803 - Paper Guide Bar with Left Hand Bearing |
| 1205 - 3-48x.238 Screw (Under Paper Finger) | 9856 - Platen Roll (Assem.) (Consists of #5357 platen roll, #3923 bushings and #1165 screws) #71262 shims are used to take up end play when mounting #9856. |
| 2191 - Lock Washer | 9857 - Platen Roll Bearing, Right |
| 2481 - Collar | 9858 - Platen Roll Bearing, Left |
| 2658 - 6-32 Hex. Nut | 9860 - Paper Guide |
| 3182 - Washer | 9865 - Roller Release Lever |
| 3189 - Adjustable Carriage Stop | 9866 - Roller Release Shaft |
| 3194 - Shaft Bushing | 9868 - Pressure Roll Bracket, Right |
| 3597 - 5/32-40 Hex. Nut | 9869 - Front Rubber Roll |
| 3598 - 6-40 Hex. Nut | 9870 - Back Rubber Roll |
| 3646 - Lock Washer | 9874 - Pressure Roll Bracket, Left |
| 3863 - Paper Guide Bar Bearing | 9878 - Back Separator (Long) |
| 3930 - Brace | 9947 - Carrier Bearing Rod |
| 3931 - Paper Finger Bar | 9964 - Deflector |
| 3932 - Tie Rod | 71262 - Shim |
| 3937 - Roller Release Shaft Arm | |
| *3942 - Pressure Roll Tension Spring | |

* Not shown on photograph.

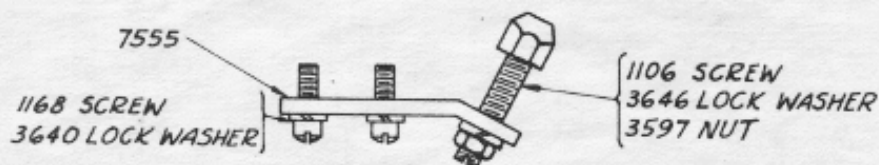


SEE PAGE #28
 FOR NEW STYLE
 RIBBON FEED
 MECHANISM

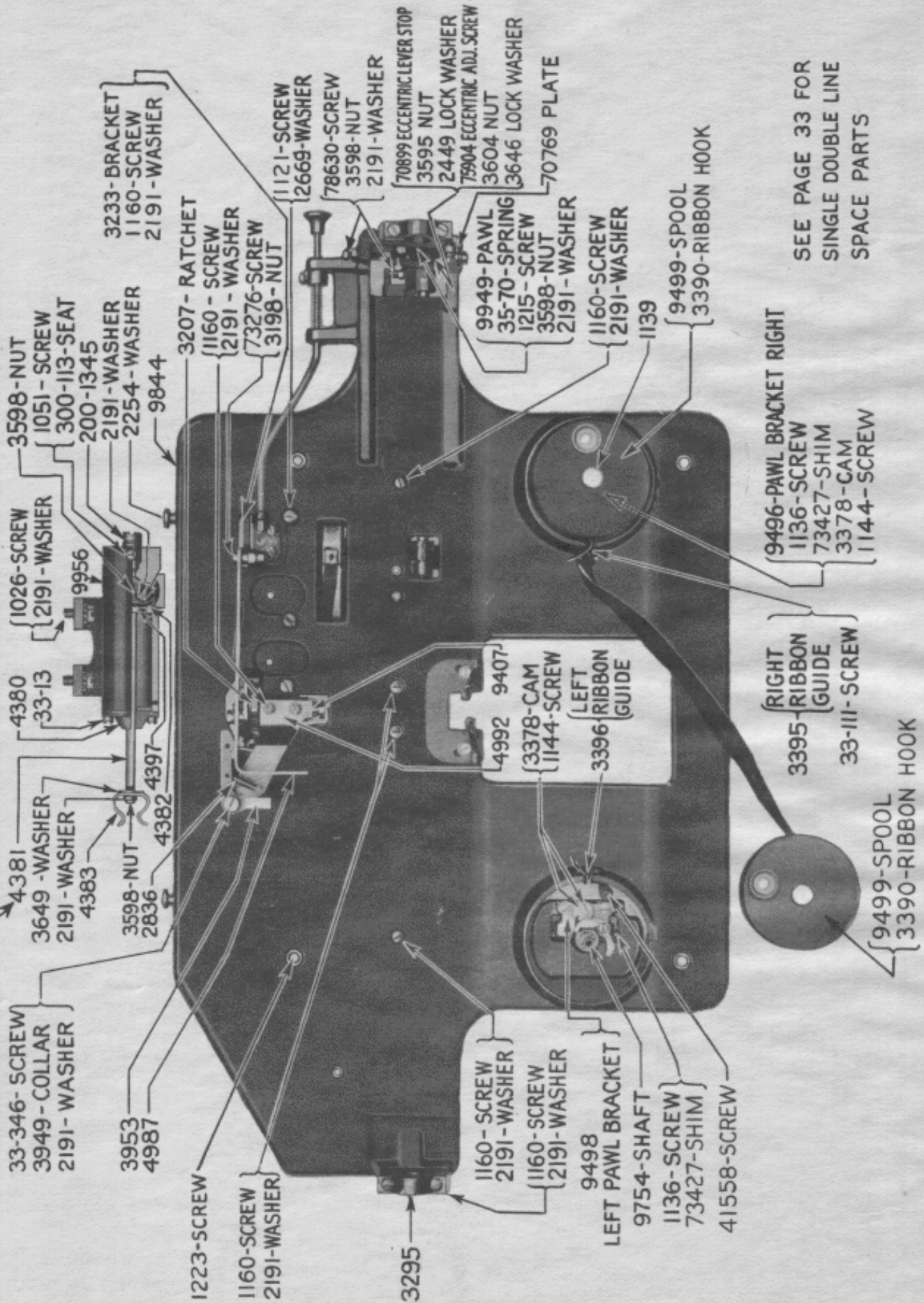
MISCELLANEOUS TOP PARTS

| | |
|--|--|
| 33-158 - 6-40x1/2 Screw | 3386 - Ribbon Detent Pawl |
| 33-196 - 6-40x3/4 Screw | 3388 - Spring |
| 35-42 - Spring | 3392 - Ribbon Shaft |
| 35-132 - Spring | 3393 - Bevel Gear |
| 1010 - 6-40 Shoulder Screw | 3397 - Gear |
| 1046 - 6-40 Shoulder Screw | 3399 - Bevel Gear |
| 1106 - 5/32-40 Adj. Screw | 3597 - 5/32-40 Hex. Nut |
| 1129 - 3-48x5/32 Screw | 3598 - 6-40 Hex. Nut |
| 1130 - 1/8-50x3/16 Screw | 3640 - Lock Washer |
| 1133 - 5-48 Screw $\frac{1}{8}$ -30 ECV4 | 3646 - Lock Washer |
| 1135 - Screw | 3802 - Bevel Gear |
| 1136 - 5-40x7/32 Screw | 3805 - Ribbon Reverse Bell Crank, Right |
| 1137 - 5/32-50 Set Screw | 3807 - Bell Crank Connection |
| 1140 - 5-40x5/32 Screw | 3809 - Bell Crank Stud |
| 1141 - 3/32x50 Shoulder Screw | 3810 - Bell Crank Stud Sleeve |
| 1143 - 5-40x1/8 Screw | 3813 - Connection Wire |
| 1145 - 6-32 Screw (Special) | 3824 - Roller (See page #30) |
| 1160 - 6-40x5/16 Screw | 3826 - Ribbon Throw Lever Shaft |
| 1161 - 6-40x1/4 Screw | 3887 - Gear Bracket |
| 1162 - 4-40x1/4 Screw | 3919 - Spring (5/8 Long for Old Style Line Feed Shaft - See 80758) |
| 1167 - 6-40 Screw | 4707 - Washer (Brass) |
| 1168 - 4-40x5/16 Screw | 4868 - Ribbon Carrier Bracket |
| 1176 - 6-40x3/16 Screw | 4869 - Ribbon Throw Lever Arm (with Carrier) |
| 1223 - 10-32x1/2 Screw | 7555 - Ribbon Throw Lever Stop Bracket |
| 2191 - Lock Washer | 9426 - Spacer Block |
| 2247 - Washer | 9433 - Ribbon Carrier Switch |
| 2658 - 6-32 Nut | 9755 - Ribbon Reverse Bell Crank, Left |
| 2669 - Lock Washer | 9757 - Detent Spring |
| 3192 - Cover Plate | 9758 - Ribbon Reverse Shaft |
| 3231 - Line Feed Shaft Bearing | 9762 - Ribbon Main Shaft |
| 3332 - Ribbon Throw Lever Stop | 9767 - Ratchet Detent Spring |
| 3337 - Ribbon Shaft Bracket, Left | 9768 - Ribbon Throw Lever Bracket |
| 3371 - Ribbon Shaft Bracket, Right | 9770 - Spacer Bracket |
| 3372 - Spring Cover Plate | 9792 - Spring Drum Bracket |
| 3374 - Spring Drum Shaft | 9847 - Line Feed Shaft |
| 3375 - 5/16-32 Hex. Nut | 9851 - Ribbon Throw Lever |
| 3379 - Carriage Spring | 71193 - Post |
| 3380 - Driving Ratchet | *80758 - Spring (7/8 Long for New Style Line Feed Shaft - See 3919) |
| 3381 - Ribbon Driving Pawl | |
| 3383 - Spring | |
| 3385 - Spring Stop | |

- * Line feed shaft No. 9847 was at one time equipped with a line pawl lever requiring a No. 3919 spring (5/8 long). The pawl lever has been redesigned and printers using the new lever require No. 80758 spring (7/8 long). Springs are not interchangeable - the proper one must be ordered.



FOR NEW DESIGN BUFFER PISTON ROD AND CLIP SEE PAGE #32



SEE PAGE 33 FOR SINGLE DOUBLE LINE SPACE PARTS

MISCELLANEOUS TOP PARTS

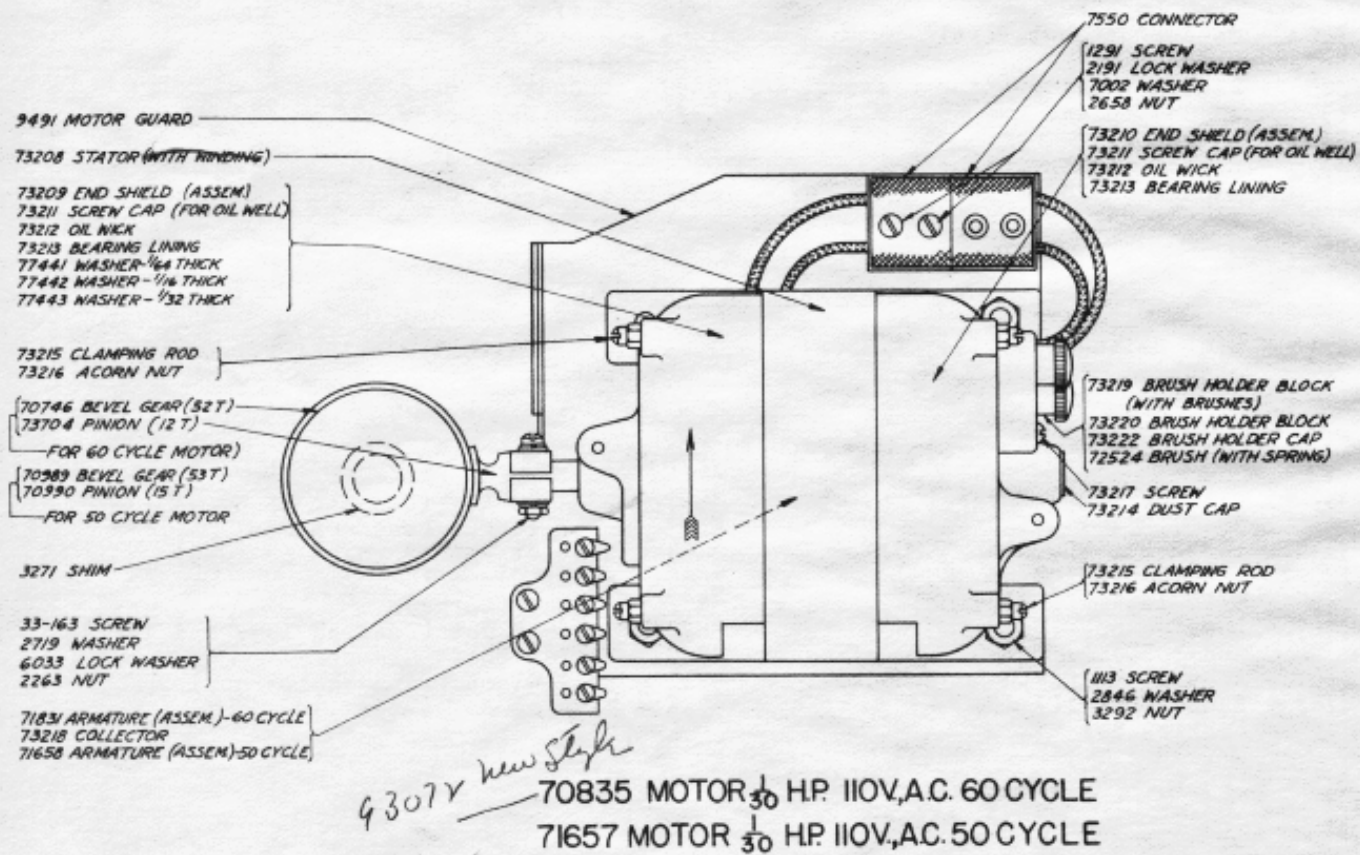
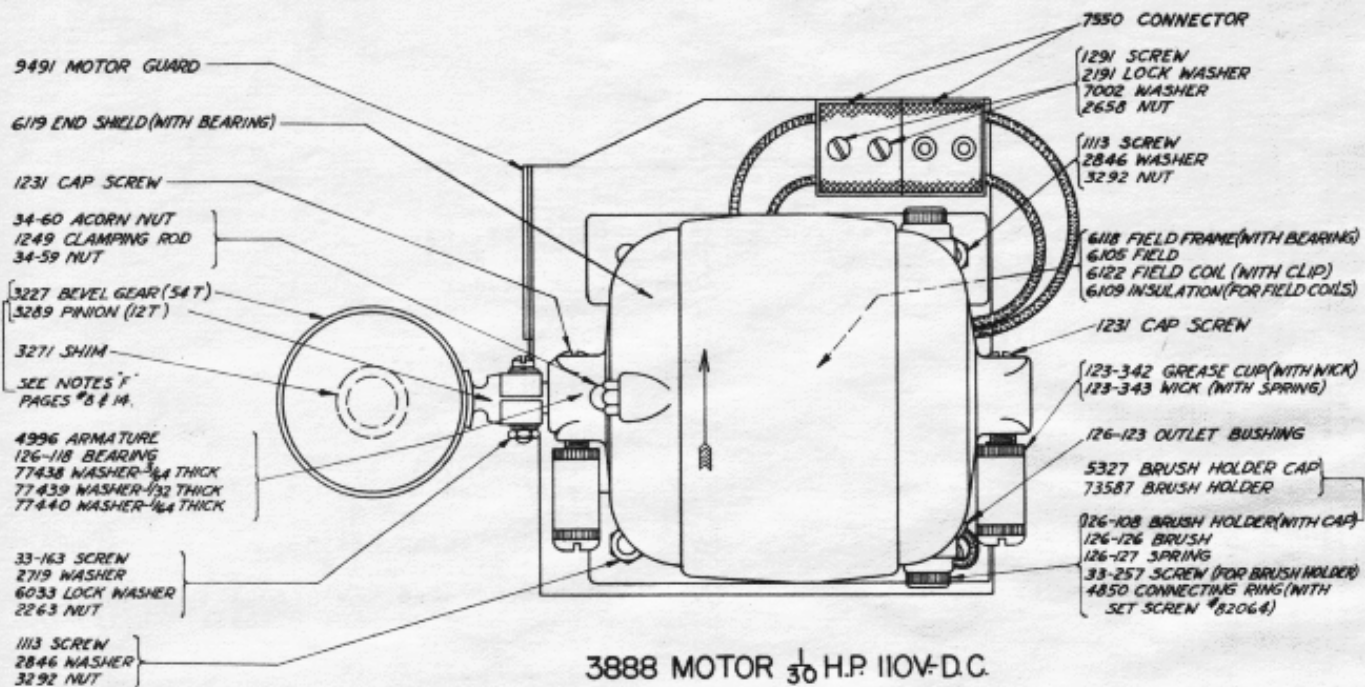
| | |
|-------------------------------------|--|
| 33-13 - 2-56x1/4 Screw | 3598 - 6-40 Hex. Nut |
| 33-111 - 2-56x3/16 Screw | 3604 - 5/32-40 Nut |
| 33-346 - 6-40 Shoulder Screw | 3646 - Lock Washer |
| 35-70 - Spring | 3649 - Washer |
| 200-1345 - Needle Valve | 3949 - Collar |
| 300-113 - Set Screw Seat | 3953 - Lock Pawl |
| 1026 - 6-40x3/8 Screw | 4380 - Cylinder Head |
| 1051 - 4-40x1/2 Screw | 4381 - Piston Rod |
| 1121 - 10-32x3/8 Screw | 4382 - Leather Washer |
| 1136 - 5-40x7/32 Screw | 4383 - Buffer Piston Clip |
| 1139 - 5-48 Shoulder Screw | 4397 - Piston Head |
| 1144 - 5-40x.151 Screw | 4987 - Link |
| 1160 - 6-40x5/16 Screw | 4992 - Rack Retaining Plate |
| 1215 - 6-40 Shoulder Screw | 9407 - Spacer Pinion and Shaft |
| 1223 - 10-32x1/2 Screw | 9496 - Ribbon Reverse Pawl Bracket - Right |
| 2191 - Lock Washer | 9498 - Ribbon Reverse Pawl Bracket - Left |
| 2254 - Washer | 9499 - Ribbon Spool |
| 2449 - Lock Washer | 9754 - Ribbon Spool Shaft |
| 2669 - Lock Washer | 9844 - Platen Top |
| 2836 - Spring | 9949 - Line Feed Pawl |
| 3198 - 6-40 Lock Nut | 9956 - Buffer Cylinder |
| 3207 - Spacer Ratchet Wheel | 41558 - 2-56x1/4 Screw |
| 3233 - Bracket | 70769 - Plate |
| 3295 - Platen Shaft Bushing Bearing | 70899 - Eccentric Stop |
| 3378 - Adjusting Cam | 73276 - Shoulder Screw |
| 3390 - Ribbon Hook | 73427 - Shim |
| 3395 - Ribbon Guide - Right | 75904 - Adjusting Screw |
| 3396 - Ribbon Guide - Left | 78630 - 6-40x1/2 Screw |
| 3595 - 1/4-32 Hex. Nut | |

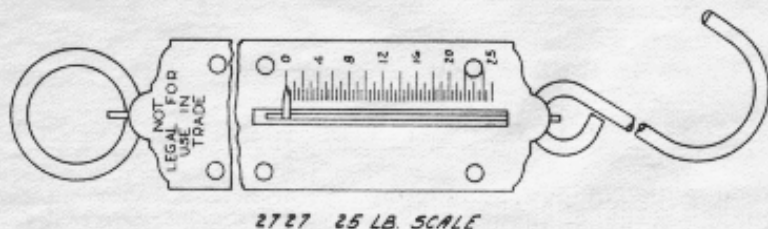
TYPEWRITER RIBBONS

| | |
|---|--|
| 3916 - L.C. Smith typewriter ribbon, black | 4623 - L.C. Smith typewriter ribbon, purple |
|---|--|

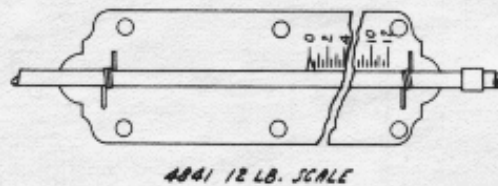
PACKING BOX

| | |
|---|--|
| 33-202 - 10-32x1-1/4 Screw (Used on 3920) | 3597 - 5/32-40 Nut (Used on 3855) |
| 34-4 - 10-32 Nut (Used on 3920) | 3605 - 5/32-18 Nut (Used on 2761) |
| 120-20 - Washer (Used on 3855) | 3854 - Leather Washer (Used on 1099) |
| 1099 - 5/16-18x4-1/2 Body Bolt | 3855 - Motor Clamp |
| 2669 - Lock Washer (Used on 3855 and 3920) | 3873 - Washer (Large) |
| 2761 - Body Clamp (with Long Hook) | 3875 - 5/16-18 Nut (Used on 1099 and 3921) |
| 2763 - Washer (Small) | 3920 - Platen Shaft Clamp |
| 2844 - Lock Washer | 3921 - Body Clamp (with Short Hook) |
| | 9795 - Packing Box (Assem.) |

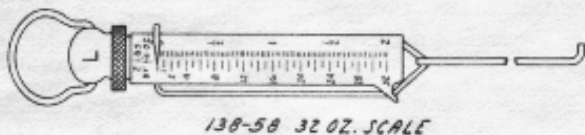




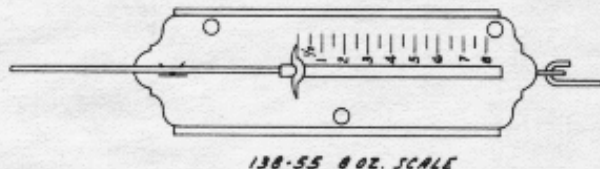
2727 25 LB. SCALE



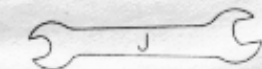
4841 12 LB. SCALE



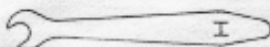
138-58 32 OZ. SCALE



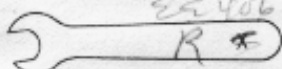
138-55 8 OZ. SCALE



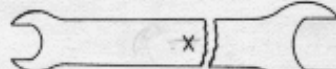
138-36 1/8-1/2 OPEN WRENCH
2 REQ.



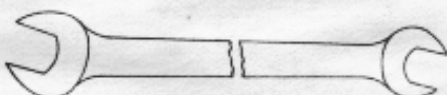
138-34 1/4 OPEN WRENCH



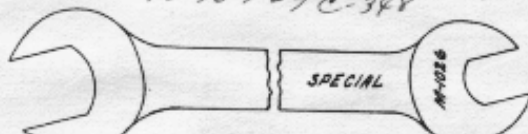
EA 406
R
138-128 5/8 OPEN WRENCH
2 REQ.
75967-TC-348



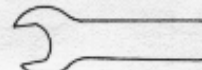
2002 1/2-3/4 OPEN WRENCH
2 REQ.
45366-TC-348



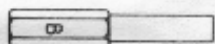
4838 3/8-7/16 OPEN WRENCH
2 REQ.



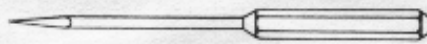
87697 1/2-3/4 OPEN WRENCH



74871 3/85 OPEN WRENCH

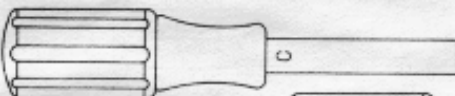


138-23 3/16 SOCKET WRENCH

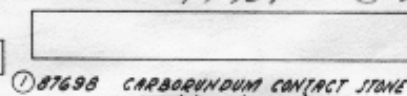


138-22 SCREW DRIVER
75768-TC-348

88993 CONTACT BURNISHER

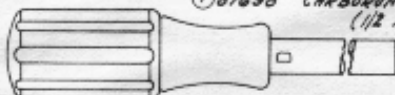


88954 1/2 SOCKET WRENCH



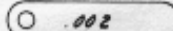
87698 CARBUNDUM CONTACT STONE
(1/2 X 1/2 X 4)

72581 GAUGE PIN - 2 REQ.

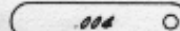


88955 5/16 SOCKET WRENCH

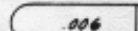
75766 SPECIAL TOOL



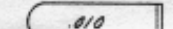
138-43 .002 GAUGE



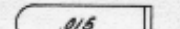
138-44 .004 GAUGE



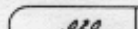
71564 .006 GAUGE



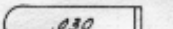
138-125 .010 GAUGE



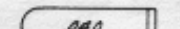
4873 .015 GAUGE



138-126 .020 GAUGE



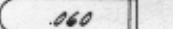
4874 .030 GAUGE



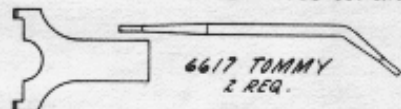
71565 .040 GAUGE



71566 .050 GAUGE

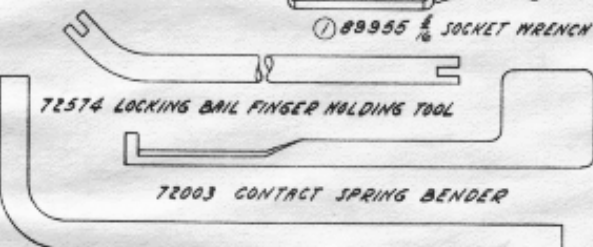


71567 .060 GAUGE



6617 TOMMY
2 REQ.

73370 GAUGE

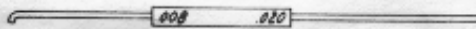


72574 LOCKING BAIL FINGER HOLDING TOOL

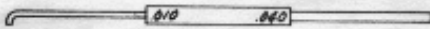
72003 CONTACT SPRING BENDER



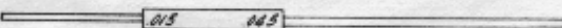
72575 LOCKING BAIL FINGER BENDING TOOL



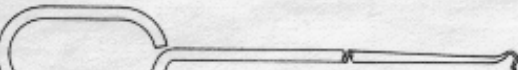
* 75805 .008-.020 WIRE GAUGE



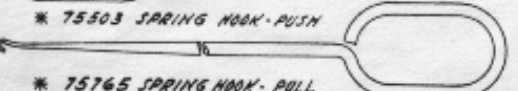
* 75806 .010-.040 WIRE GAUGE



* 75807 .015-.045 WIRE GAUGE



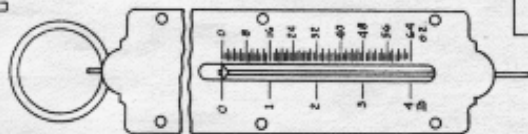
* 75503 SPRING HOOK-PUSH



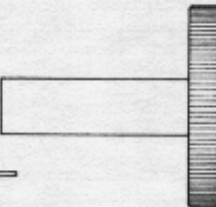
* 75765 SPRING HOOK-PULL



* 9117 CONTACT FILE



82711 4 LB SCALE



74903 HANDWHEEL

* 75809 SET OF GAUGES (WITH CASE)
(INCLUDES 75805, 75806, 75807, 75765, 75503, 9117 & 75808 CASE)

* 75808 CASE FOR 75805, 75806, 75807, 75765, 75503 & 9117

77618 CASE FOR SMALL TOOLS

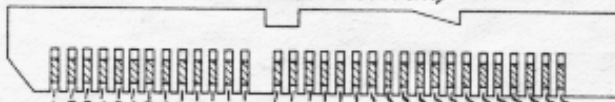
NOTE: ① SEE PAGE #36 FOR EXPLANATION.

BELL SYSTEM AND STANDARD

POSITIONS OF PUSHBARS IN PUSHBAR GUIDE
(LOOKING AT PRINTER FROM FRONT)

| CODE BARS | |
|-----------------------|----------------|
| NUMBER STAMPED ON BAR | CATALOG NUMBER |
| 1 | 4179 |
| 2 | 4430 |
| 3 | 4181 |
| 4 | 4431 |
| 5 | 4183 |

NOTE :-
FRACTIONS TYPE PALLETS WITHOUT THE STROKE ARE LARGER THAN THOSE WITH THE STROKE AND CAN BE USED ONLY ON PRINTERS SET FOR DOUBLE LINE SPACE.



1 2 3 4 5 6 7 8 9 10 11 12 13 14 15 16 17 18 19 20 21 22 23 24 25 26 27 28 29 30 31 32
82859 SET OF SPRING CUSHION KEYTOPS COMPLETE (FOR TWX SERVICE)-BELL SYSTEM
78932 SET OF NON-FRACTIONS SPRING CUSHION KEYTOPS COMPLETE (FOR P.W. SERVICE)-BELL SYSTEM
78936 SET OF SPRING CUSHION KEYTOPS INCLUDING 78935 SET OF FRACTIONS
8176 SET OF NON-FRACTIONS PNEUMATIC KEYTOPS
72703 SET OF PNEUMATIC KEYTOPS INCLUDING 72702 SET OF FRACTIONS

—NOTE—
CHECK CAREFULLY THE POSITION OF PUSHBARS IN GUIDE AND THE ARRANGEMENT OF TYPE PALLETS ON THE TYPE BARS. IF THESE DIFFER IN ANY WAY WITH THE ARRANGEMENT SHOWN ON THIS PAGE, THE PARTS SHOULD BE ORDERED BY NAME. FOR EXAMPLE ORDER:
TYPE PALLET.....(A-)
TYPE BAR (WITH PALLET).....(A-)
PNEUMATIC KEYTOP.....(A-)
SPRING CUSHION KEYTOP.....(A-)

75534 SET OF FRACTIONS TYPE PALLETS
72702 SET OF FRACTIONS KEYTOPS (PNEUMATIC)
78935 SET OF FRACTIONS KEYTOPS (SPRING CUSHION)

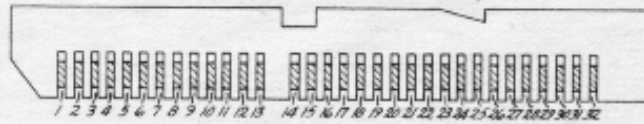
72718 SET OF FRACTIONS TYPE PALLETS
72702 SET OF FRACTIONS KEYTOPS (PNEUMATIC)
78935 SET OF FRACTIONS KEYTOPS (SPRING CUSHION)

| NUMBER OF POSITION IN PUSHBAR GUIDE | PUSH OR FUNCTION BARS | | PUSH OR FUNCTION BAR SPRINGS | SUBLEVER WITH LINK | | LINK | TYPE BARS WITHOUT PALLETS | | TYPE BAR PALLETS | | PNEUMATIC KEYTOPS CATALOG NUMBER | KEYTOP DESCRIPTION | SPRING CUSHION KEYTOP CATALOG NUMBER | | | | | |
|-------------------------------------|-----------------------|--------------------------|------------------------------|--------------------|-------------------------|------|---------------------------|-------------|------------------|--------------|----------------------------------|--------------------|--------------------------------------|--------|-------|--|--|--|
| | CATALOG NUMBER | DESCRIPTION | | CATALOG NUMBER | NUMBER STAMPED ON LEVER | | CATALOG NUMBER | DESCRIPTION | MURRAY STYLE | MURRAY STYLE | | | | | | | | |
| 1 | 3114 | STANDARD | 4702 | 9726 | 9 | 5026 | 91009 | 9700 | 9 | Z " | 3986 | 77500 | 3079 | Z " | 78970 | | | |
| 2 | 3114 | " | 4702 | 9727 | 10 | 5027 | 4946 | 9701 | 10 | K (| 3985 | 77501 | 3064 | K (| 78956 | | | |
| * 2 | 3114 | " | 4702 | 9727 | 10 | 5027 | 4946 | 9701 | 10 | K 1/2 | 72700 | 77502 | 72707 | K 1/2 | 78988 | | | |
| * 2 | 3114 | " | 4702 | 9727 | 10 | 5027 | 4946 | 9701 | 10 | K 1/2 | 75542 | 75551 | 72707 | K 1/2 | 78988 | | | |
| 3 | 3114 | " | 4702 | 9728 | 11 | 5028 | 4946 | 9702 | 11 | B ? | 3984 | 77503 | 3055 | B ? | 78947 | | | |
| * 3 | 3114 | " | 4702 | 9728 | 11 | 5028 | 4946 | 9702 | 11 | B 3/8 | 72716 | 77504 | 72705 | B 3/8 | 78986 | | | |
| * 3 | 3114 | " | 4702 | 9728 | 11 | 5028 | 4946 | 9702 | 11 | B 3/8 | 75541 | 75550 | 72705 | B 3/8 | 78986 | | | |
| 4 | 3114 | " | 4702 | 9729 | 12 | 5029 | 4946 | 9703 | 12 | P 0 | 3983 | 77505 | 3069 | P 0 | 78961 | | | |
| 5 | 3114 | " | 4702 | 9730 | 13 | 5030 | 4946 | 9704 | 13 | Y 6 | 3982 | 77506 | 3078 | Y 6 | 78969 | | | |
| 6 | 3114 | " | 4702 | 9731 | 14 | 5031 | 4946 | 9705 | 14 | M * | 3981 | 77507 | 3066 | M * | 78958 | | | |
| 7 | 3114 | " | 4702 | 9732 | 15 | 5032 | 4946 | 9706 | 15 | U 7 | 3980 | 77508 | 3074 | U 7 | 78965 | | | |
| 8 | 3114 | " | 4702 | 9733 | 16 | 5033 | 4946 | 9707 | 16 | L) | 3979 | 77509 | 3065 | L) | 78957 | | | |
| * 8 | 3114 | " | 4702 | 9733 | 16 | 5033 | 4946 | 9707 | 16 | L 3/8 | 71064 | 77510 | 71057 | L 3/8 | 78983 | | | |
| * 8 | 3114 | " | 4702 | 9733 | 16 | 5033 | 4946 | 9707 | 16 | L 3/8 | 75540 | 75549 | 71057 | L 3/8 | 78983 | | | |
| 9 | 3114 | " | 4702 | 9734 | 17 | 5034 | 4946 | 9708 | 17 | H Z | 3978 | 77511 | 3061 | H Z | 78953 | | | |
| * 9 | 3114 | " | 4702 | 9734 | 17 | 5034 | 4946 | 9708 | 17 | H # | 8286 | 75548 | 8223 | H # | 78981 | | | |
| * 9 | 3114 | " | 4702 | 9734 | 17 | 5034 | 4946 | 9708 | 17 | H | 83886 | 83887 | 82274 | H | 82607 | | | |
| 10 | 3114 | " | 4702 | 9735 | 18 | 5035 | 4946 | 9709 | 18 | O 9 | 3977 | 77512 | 3068 | O 9 | 78960 | | | |
| 11 | 3114 | " | 4702 | 9736 | 19 | 5036 | 4947 | 9710 | 19 | I 8 | 3976 | 77513 | 3062 | I 8 | 78954 | | | |
| 12 | 3114 | " | 4702 | 9737 | 20 | 5037 | 4948 | 9711 | 20 | N * | 3975 | 77514 | 3067 | N * | 78959 | | | |
| * 12 | 3114 | " | 4702 | 9737 | 20 | 5037 | 4948 | 9711 | 20 | N 3/8 | 72717 | 77515 | 72706 | N 3/8 | 78987 | | | |
| * 12 | 3114 | " | 4702 | 9737 | 20 | 5037 | 4948 | 9711 | 20 | N 3/8 | 75538 | 75547 | 72706 | N 3/8 | 78987 | | | |
| 13 | 3114 | " | 4702 | 9738 | 21 | 5038 | 4946 | 9712 | 21 | E 3 | 3974 | 77516 | 3058 | E 3 | 78950 | | | |
| 14 | 3114 | " | 4702 | 9739 | 22 | 5039 | 91011 | 9713 | 22 | T 5 | 3973 | 77517 | 3073 | T 5 | 78964 | | | |
| 15 | 3114 | " | 4702 | 9740 | 23 | 5040 | 4947 | 9714 | 23 | A - | 3972 | 77518 | 3054 | A - | 78946 | | | |
| 16 | 3114 | " | 4702 | 9741 | 24 | 5041 | 4948 | 9715 | 24 | J * | 3961 | 77519 | 3063 | J * | 78955 | | | |
| 16 | 3114 | " | 4702 | 9741 | 24 | 5041 | 4948 | 9715 | 24 | J * | 75690 | 75736 | 75691 | J * | 78993 | | | |
| 17 | 3114 | " | 4702 | 9742 | 25 | 5042 | 91011 | 9716 | 25 | R 4 | 3970 | 77521 | 3071 | R 4 | 78963 | | | |
| 18 | 3114 | " | 4702 | 9743 | 26 | 5043 | 91011 | 9717 | 26 | D # | 3969 | 77522 | 3057 | D # | 78969 | | | |
| 19 | 3114 | " | 4702 | 9744 | 27 | 5044 | 91011 | 9718 | 27 | C : | 3968 | 77499 | 3056 | C : | 78948 | | | |
| * 19 | 3114 | " | 4702 | 9744 | 27 | 5044 | 91011 | 9718 | 27 | C 1/2 | 71930 | 77523 | 71995 | C 1/2 | 78984 | | | |
| * 19 | 3114 | " | 4702 | 9744 | 27 | 5044 | 91011 | 9718 | 27 | C 1/2 | 75537 | 75546 | 71995 | C 1/2 | 78984 | | | |
| 20 | 3114 | " | 4702 | 9745 | 28 | 5045 | 91011 | 9719 | 28 | F 1 | 3967 | 77524 | 3059 | F 1 | 78951 | | | |
| * 20 | 3114 | " | 4702 | 9745 | 28 | 5045 | 91011 | 9719 | 28 | F 1/2 | 71060 | 77525 | 71053 | F 1/2 | 78982 | | | |
| * 20 | 3114 | " | 4702 | 9745 | 28 | 5045 | 91011 | 9719 | 28 | F 1/2 | 75536 | 75545 | 71053 | F 1/2 | 78982 | | | |
| 21 | 3114 | " | 4702 | 9746 | 29 | 5046 | 91011 | 9720 | 29 | W 2 | 3966 | 77526 | 3076 | W 2 | 78967 | | | |
| 22 | 3114 | " | 4702 | 9747 | 30 | 5047 | 91011 | 9721 | 30 | G & | 3965 | 77527 | 3060 | G & | 78952 | | | |
| 23 | 3114 | " | 4702 | 9748 | 31 | 5048 | 91011 | 9722 | 31 | V : | 3964 | 77528 | 3075 | V : | 78966 | | | |
| * 23 | 3114 | " | 4702 | 9748 | 31 | 5048 | 91011 | 9722 | 31 | V 3/8 | 72715 | 77529 | 72704 | V 3/8 | 78985 | | | |
| * 23 | 3114 | " | 4702 | 9748 | 31 | 5048 | 91011 | 9722 | 31 | V 3/8 | 75535 | 75544 | 72704 | V 3/8 | 78985 | | | |
| 24 | 3114 | " | 4702 | 9749 | 32 | 5049 | 91011 | 9723 | 32 | Q 1 | 3963 | 77530 | 3070 | Q 1 | 78962 | | | |
| 25 | 3114 | " | 4702 | 9750 | 33 | 5050 | 91011 | 9724 | 33 | X / | 3962 | 77531 | 3077 | X / | 78968 | | | |
| 26 | 4740 | BELL LETTER'S PUSH BAR | 4705 | 9751 | 34 | 5051 | 91010 | 9725 | 34 | S * | 3971 | 77520 | 8177 | S BELL | 78980 | | | |
| 27 | 4705 | SHIFT PUSH BAR | 4708 | | | | | | | | | 3081 | FIGS. | | 78972 | | | |
| 28 | 4741 | BELL PUSH BAR | 4705 | 9752 | 36 | 5052 | 91010 | | | | | | | | | | | |
| 29 | 6851 | SINGLE RELEASE PUSH BAR | 5610 | | | | | | | | | 3080 | BLANK | | 78971 | | | |
| 30 | 6852 | LEFTY RELEASE PUSH BAR | 4702 | | | | | | | | | 3082 | LTRS. | | 78973 | | | |
| 31 | 75588 | LINE FEED PUSH BAR | 4705 | | | | | | | | | 3578 | LINE FEED | | 78978 | | | |
| 32 | 75894 | CARRIAGE RETURN PUSH BAR | 75499 | | | | | | | | | 3573 | CAR. RET. | | 78976 | | | |
| | | | | | | | | | | | | | 4949 LINK PINS | | | | | |

* FRACTIONS TYPE PALLETS AND KEYTOPS

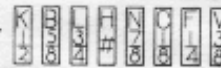
| CODE BARS (FOR BELL ON V) | |
|------------------------------|-------------|
| NO. STRIPPED ON CODE BARS | CATALOG NO. |
| 1 | 4432 |
| 2 | 4433 |
| 3 | 4176 |
| 4 | 4434 |
| 5 | 4178 |

(FOR WESTERN UNION)
POSITION OF PUSHBARS IN PUSHBAR GUIDE
(LOOKING AT PRINTER FROM FRONT)



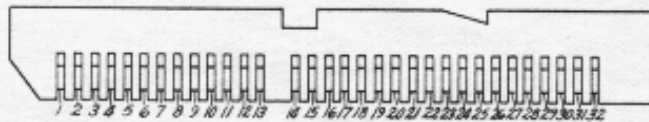
| CODE BARS (FOR BELL ON S) | |
|------------------------------|-------------|
| NO. STRIPPED ON CODE BARS | CATALOG NO. |
| 1 | 4179 |
| 2 | 4430 |
| 3 | 4181 |
| 4 | 4431 |
| 5 | 4183 |

7278 SET OF FRACTIONS TYPE PALLETS
72702 SET OF FRACTIONS KEYTOPS (PNEUMATIC)

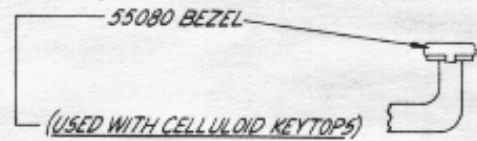


| NUMBER OF POSITION IN PUSHBAR GUIDE | PUSH OR FUNCTION BARS | | PUSH OR FUNCTION BAR SPRINGS | SUBLEVER WITH LINK | | SUBLEVER WITHOUT LINK | LINK | TYPEBARS WITHOUT PALLETS | | TYPEBAR PALLETS | | KEYTOP DESCRIP- TION | PNEUMATIC KEYTOPS CATALOG NUMBER | |
|---|-----------------------|-------------|--|-----------------------|--------------------------------|-----------------------------|-------|-----------------------------|------------------------------|-------------------|------------------|----------------------------|---|-------|
| | CATALOG NUMBER | DESCRIPTION | | CATALOG NUMBER | NUMBER STRIPPED ON LEVER | | | CATALOG NUMBER | NUMBER STRIPPED ON BAR | CATALOG NUMBER | DESCRIP- TION | | | |
| 1 | 3114 | STANDARD | 4702 | 9726 | 9 | 5026 | 91009 | 9700 | 9 | 3986 | Z # | 77500 | Z # | 3079 |
| 2 | 3114 | " | 4702 | 9727 | 10 | 5027 | 4946 | 9701 | 10 | 3985 | K (| 77501 | K (| 3068 |
| 3 | 3114 | " | 4702 | 9727 | 10 | 5027 | 4946 | 9701 | 10 | 72700 | K 1/2 | 77502 | K 1/2 | 72707 |
| 3 | 3114 | " | 4702 | 9728 | 11 | 5028 | 4946 | 9702 | 11 | 3984 | B P | 77503 | B P | 3055 |
| 4 | 3114 | " | 4702 | 9728 | 11 | 5028 | 4946 | 9702 | 11 | 72716 | B 3/4 | 77504 | B 3/4 | 72706 |
| 4 | 3114 | " | 4702 | 9729 | 12 | 5029 | 4946 | 9703 | 12 | 3989 | P 0 | 77505 | P 0 | 3069 |
| 5 | 3114 | " | 4702 | 9730 | 13 | 5030 | 4946 | 9704 | 13 | 3982 | Y 6 | 77506 | Y 6 | 3078 |
| 6 | 3114 | " | 4702 | 9731 | 14 | 5031 | 4946 | 9705 | 14 | 3981 | M * | 77507 | M * | 3066 |
| 7 | 3114 | " | 4702 | 9732 | 15 | 5032 | 4946 | 9706 | 15 | 3980 | U 7 | 77508 | U 7 | 3074 |
| 8 | 3114 | " | 4702 | 9733 | 16 | 5033 | 4946 | 9707 | 16 | 3979 | L) | 77509 | L) | 3065 |
| 8 | 3114 | " | 4702 | 9733 | 16 | 5033 | 4946 | 9707 | 16 | 71063 | L 3/4 | 77510 | L 3/4 | 71057 |
| 9 | 3114 | " | 4702 | 9734 | 17 | 5034 | 4946 | 9708 | 17 | 3978 | H # | 77511 | H # | 3061 |
| 10 | 3114 | " | 4702 | 9735 | 18 | 5035 | 4946 | 9708 | 17 | 8284 | H # | 75548 | H # | 8255 |
| 11 | 3114 | " | 4702 | 9736 | 19 | 5036 | 4946 | 9709 | 18 | 3977 | O 9 | 77512 | O 9 | 3068 |
| 12 | 3114 | " | 4702 | 9737 | 20 | 5037 | 4946 | 9710 | 19 | 3976 | I 8 | 77513 | I 8 | 3062 |
| 12 | 3114 | " | 4702 | 9737 | 20 | 5037 | 4946 | 9710 | 20 | 3975 | N * | 77514 | N * | 3067 |
| 13 | 3114 | " | 4702 | 9738 | 21 | 5038 | 4946 | 9712 | 21 | 72717 | N 3/4 | 77515 | N 3/4 | 72706 |
| 14 | 3114 | " | 4702 | 9739 | 22 | 5039 | 91011 | 9713 | 22 | 3974 | E 3 | 77516 | E 3 | 3058 |
| 15 | 3114 | " | 4702 | 9740 | 23 | 5040 | 4946 | 9714 | 23 | 3973 | T 5 | 77517 | T 5 | 3073 |
| 16 | 3114 | " | 4702 | 9741 | 24 | 5041 | 4946 | 9715 | 24 | 3972 | A - | 77518 | A - | 3056 |
| 16 | 3114 | " | 4702 | 9741 | 24 | 5041 | 4946 | 9715 | 24 | 3971 | S # | 78009 | S # | 3072 |
| 17 | 3114 | " | 4702 | 9742 | 25 | 5042 | 91011 | 9716 | 25 | 3961 | J # | 77519 | J # | 3063 |
| 18 | 3114 | " | 4702 | 9743 | 26 | 5043 | 91011 | 9717 | 26 | 3970 | R 4 | 77521 | R 4 | 3071 |
| 19 | 3114 | " | 4702 | 9744 | 27 | 5044 | 91011 | 9718 | 27 | 3969 | D # | 77522 | D # | 3067 |
| 19 | 3114 | " | 4702 | 9744 | 27 | 5044 | 91011 | 9718 | 27 | 3968 | C : | 77499 | C : | 3056 |
| 20 | 3114 | " | 4702 | 9745 | 28 | 5045 | 91011 | 9719 | 28 | 71990 | C 1/4 | 77523 | C 1/4 | 71995 |
| 20 | 3114 | " | 4702 | 9745 | 28 | 5045 | 91011 | 9719 | 28 | 3967 | F / | 77524 | F / | 3059 |
| 21 | 3114 | " | 4702 | 9746 | 29 | 5046 | 91011 | 9720 | 29 | 71060 | F 1/4 | 77525 | F 1/4 | 71053 |
| 22 | 3114 | " | 4702 | 9747 | 30 | 5047 | 91011 | 9721 | 30 | 3966 | W 2 | 77526 | W 2 | 3076 |
| 23 | 3114 | " | 4702 | 9748 | 31 | 5048 | 91011 | 9722 | 31 | 3965 | G 8 | 77527 | G 8 | 3060 |
| 24 | 3114 | " | 4702 | 9749 | 32 | 5049 | 91011 | 9723 | 32 | 3964 | V ; | 77528 | V ; | 3075 |
| 25 | 3114 | " | 4702 | 9750 | 33 | 5050 | 91011 | 9724 | 33 | 72715 | V 1/4 | 77529 | V 1/4 | 72704 |
| 26 | 4740 | LAST LETTER | 4705 | 9751 | 34 | 5051 | 91010 | 9725 | 34 | 3963 | Q 1 | 77530 | Q 1 | 3070 |
| 26 | 4741 | BELL | 4705 | 9751 | 34 | 5051 | 91010 | 9725 | 34 | 3971 | X / | 77531 | X / | 3277 |
| 26 | 4741 | BELL | 4705 | 9751 | 34 | 5051 | 91010 | 9725 | 34 | 3971 | S # | 77520 | S # | 3072 |
| 26 | 4740 | LAST LETTER | 4705 | 9751 | 34 | 5051 | 91010 | 9725 | 34 | 3971 | S # | 77520 | S BELL | 8177 |
| 26 | 4741 | BELL | 4705 | 9751 | 34 | 5051 | 91010 | 9725 | 34 | 3961 | U # | 78008 | U # | 3063 |
| 27 | 4745 | SHIFT | 4708 | | | | 91010 | 9725 | 34 | 3961 | J # | 78008 | U 50L | 7640 |
| 28 | | | | 9752 | 36 | 5052 | 91010 | | | | | | FIGS. | 3081 |
| 29 | 3149 | RELEASE | 5610 | | | | | | | | | | | |
| 30 | | | | | 38 | 7624 | | | | | | | L745 | 3082 |
| 31 | 75588 | LINE FEED | 4705 | | | | | | | | | | BLANK | 3080 |
| 32 | 77630 | CAR. RET. | 75493 | | | | 4949 | LINK PINS | | | | | LINE FEED | 3578 |
| | | | | | | | | | | | | | CAR. RET. | 3273 |

(FOR POSTAL)
POSITIONS OF PUSHBARS IN PUSHBAR GUIDE
(LOOKING AT PRINTER FROM FRONT)



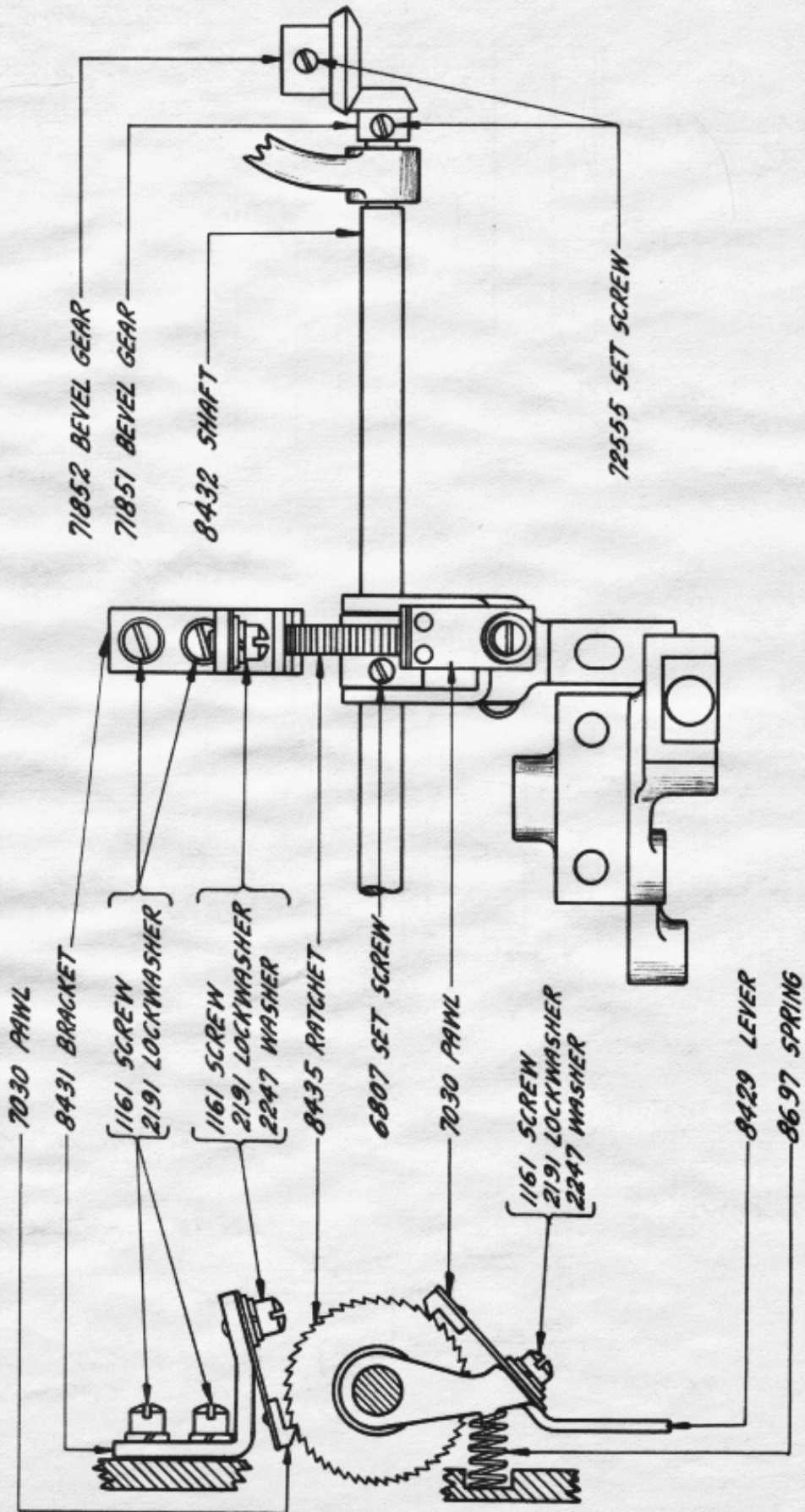
| CODE BARS | |
|--------------------|-------------|
| NO. STAMPED ON BAR | CATALOG NO. |
| 1 | 4174 |
| 2 | 4175 |
| 3 | 4176 |
| 4 | 4177 |
| 5 | 4178 |



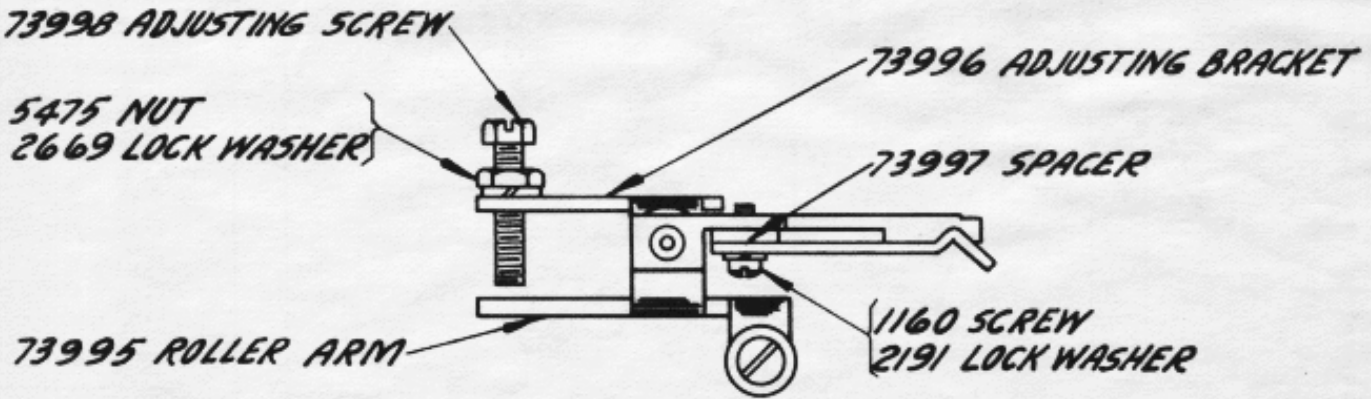
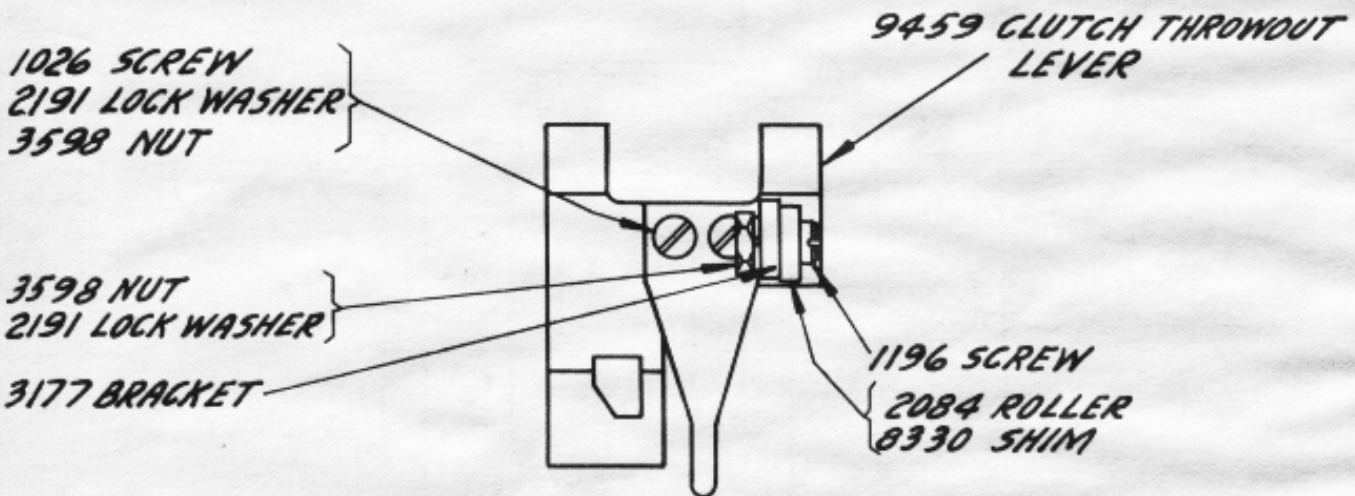
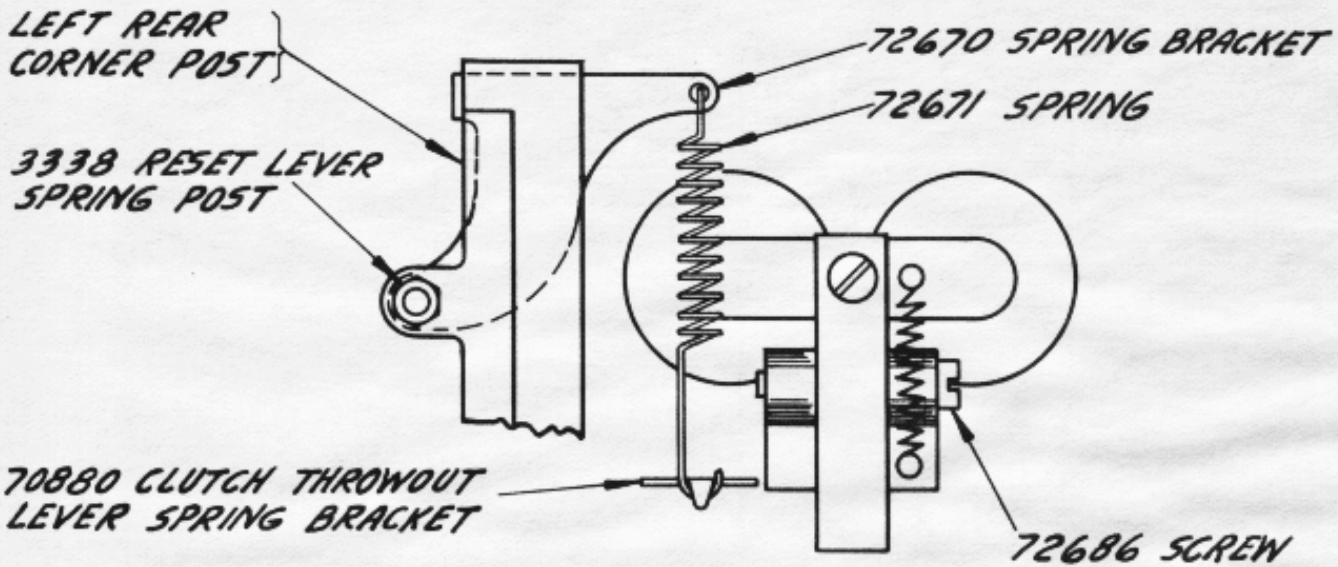
9806 SET OF TYPEBAR PALLETS
5097 SET OF PNEUMATIC KEYTOPS
73150 SET OF CELLULOID KEYTOPS

| NUMBER OF POSITION IN PUSHBAR GUIDE | PULL OR FUNCTION BARS | | PUSH OR FUNCTION BARS SPRINGS | SUBLEVER WITH LINK | | SUBLEVER WITHOUT LINK | LINK | TYPE BARS WITHOUT PALLETS | | TYPEBAR PALLETS | | TYPEBARS WITH PALLETS | | PNEUMATIC KEYTOPS CATALOG NUMBER | KEYTOP DESCRIPTION | CELLULOID KEYTOPS CATALOG NUMBER |
|-------------------------------------|-----------------------|--|-------------------------------|--------------------|-------------------------|-----------------------|-------|---------------------------|-----------------------|-----------------|-------------|-----------------------|-----------------------|----------------------------------|--------------------|----------------------------------|
| | CATALOG NUMBER | DESCRIPTION | | CATALOG NUMBER | NUMBER STAMPED ON LEVER | | | CATALOG NUMBER | NUMBER STAMPED ON BAR | CATALOG NUMBER | DESCRIPTION | CATALOG NUMBER | NUMBER STAMPED ON BAR | | | |
| 1 | 3114 | STANDARD | 4702 | 9726 | 9 | 5026 | 91009 | 9700 | 9 | 4248 | Z " | 77473 | 9 | 3079 | Z " | 72056 |
| 2 | 3114 | " | 4702 | 9727 | 10 | 5027 | 4946 | 9701 | 10 | 4247 | K (| 77474 | 10 | 3064 | K (| 72041 |
| 3 | 3114 | " | 4702 | 9728 | 11 | 5028 | 4946 | 9702 | 11 | 4246 | B ? | 77476 | 11 | 3055 | B ? | 72032 |
| 4 | 3114 | " | 4702 | 9729 | 12 | 5029 | 4946 | 9703 | 12 | 4245 | P 0 | 77477 | 12 | 3069 | P 0 | 72066 |
| 5 | 3114 | " | 4702 | 9730 | 13 | 5030 | 4946 | 9704 | 13 | 73542 | Y 6 | 77478 | 13 | 3078 | Y 6 | 72055 |
| 6 | 3114 | " | 4702 | 9731 | 14 | 5031 | 4946 | 9705 | 14 | 4243 | M • | 77479 | 14 | 3066 | M • | 72824 |
| 7 | 3114 | " | 4702 | 9732 | 15 | 5032 | 4946 | 9706 | 15 | 4242 | U 7 | 77480 | 15 | 3074 | U 7 | 72051 |
| 8 | 3114 | " | 4702 | 9733 | 16 | 5033 | 4946 | 9707 | 16 | 4241 | L) | 77481 | 16 | 3065 | L) | 72042 |
| 9 | 3114 | " | 4702 | 9734 | 17 | 5034 | 4946 | 9708 | 17 | 4240 | H & | 77482 | 17 | 3061 | H & | 72038 |
| 10 | 3114 | " | 4702 | 9735 | 18 | 5035 | 4946 | 9709 | 18 | 4239 | O 9 | 77483 | 18 | 3068 | O 9 | 72045 |
| 11 | 3114 | " | 4702 | 9736 | 19 | 5036 | 4947 | 9710 | 19 | 4238 | I 8 | 77484 | 19 | 3062 | I 8 | 72039 |
| 12 | 3114 | " | 4702 | 9737 | 20 | 5037 | 4948 | 9711 | 20 | 4237 | N * | 77485 | 20 | 3067 | N * | 72830 |
| 13 | 3114 | " | 4702 | 9738 | 21 | 5038 | 4946 | 9712 | 21 | 4236 | E 3 | 77486 | 21 | 3058 | E 3 | 72035 |
| 14 | 3114 | " | 4702 | 9739 | 22 | 5039 | 91011 | 9713 | 22 | 4235 | T 5 | 77487 | 22 | 3073 | T 5 | 72050 |
| 15 | 3114 | " | 4702 | 9740 | 23 | 5040 | 4947 | 9714 | 23 | 4234 | A - | 77488 | 23 | 3054 | A - | 72031 |
| 16 | 3114 | " | 4702 | 9741 | 24 | 5041 | 4948 | 9715 | 24 | 4233 | S * | 77489 | 24 | 3072 | S * | 72828 |
| 17 | 3114 | " | 4702 | 9742 | 25 | 5042 | 91011 | 9716 | 25 | 4232 | R 4 | 77490 | 25 | 3071 | R 4 | 72048 |
| 18 | 3114 | " | 4702 | 9743 | 26 | 5043 | 91011 | 9717 | 26 | 3969 | D \$ | 77522 | 26 | 3057 | D \$ | 72036 |
| 19 | 3114 | " | 4702 | 9744 | 27 | 5044 | 91011 | 9718 | 27 | 4230 | C : | 77491 | 27 | 3056 | C : | 72033 |
| 20 | 3114 | " | 4702 | 9745 | 28 | 5045 | 91011 | 9719 | 28 | 4229 | F ! | 77492 | 28 | 3059 | F ! | 72826 |
| 21 | 3114 | " | 4702 | 9746 | 29 | 5046 | 91011 | 9720 | 29 | 4228 | W 2 | 77493 | 29 | 3076 | W 2 | 72059 |
| 22 | 3114 | " | 4702 | 9747 | 30 | 5047 | 91011 | 9721 | 30 | 4227 | G & | 77494 | 30 | 3060 | G & | 72037 |
| 23 | 3114 | " | 4702 | 9748 | 31 | 5048 | 91011 | 9722 | 31 | 4226 | V ; | 77495 | 31 | 3075 | V ; | 72052 |
| 24 | 3114 | " | 4702 | 9749 | 32 | 5049 | 91011 | 9723 | 32 | 4225 | Q 1 | 77496 | 32 | 3070 | Q 1 | 72047 |
| 25 | 3114 | " | 4702 | 9750 | 33 | 5050 | 91011 | 9724 | 33 | 4224 | X / | 77497 | 33 | 3077 | X / | 72054 |
| 26 | 3114 | " | 4705 | 9751 | 34 | 5051 | 91010 | 9725 | 34 | 4223 | J * | 77489 | 34 | 3063 | J * | 72827 |
| 27 | 3141 | SHIFT PUSHBAR | 4708 | | | | | | | | | | | 3081 | FIG5 | 72057 |
| 28 | | | | | | | | | | | | | | | | |
| 29 | 3149 | LETTERS RELEASE PUSH BAR | 5610 | | | | | | | | | | | 3082 | LTP5 | 72058 |
| 30 | | | | | | | | | | | | | | 3080 | BLANK | 72061 |
| 31 | 75588 | LINE FEED DOUBLE BAR CAPABLE RETURN PUSH BAR | 4705 | | | | | | | | | | | 3578 | LINE FEED | 73152 |
| 32 | 77630 | | 75493 | | | | | | | | | | | 3573 | CAR. RET. | 73151 |
| 4949 LINK PINS | | | | | | | | | | | | | | | | |

NEW STYLE RIBBON FEED MECHANISM



NEW STYLE CLUTCH THROWOUT LEVER SPRING AND SPRING BRACKET

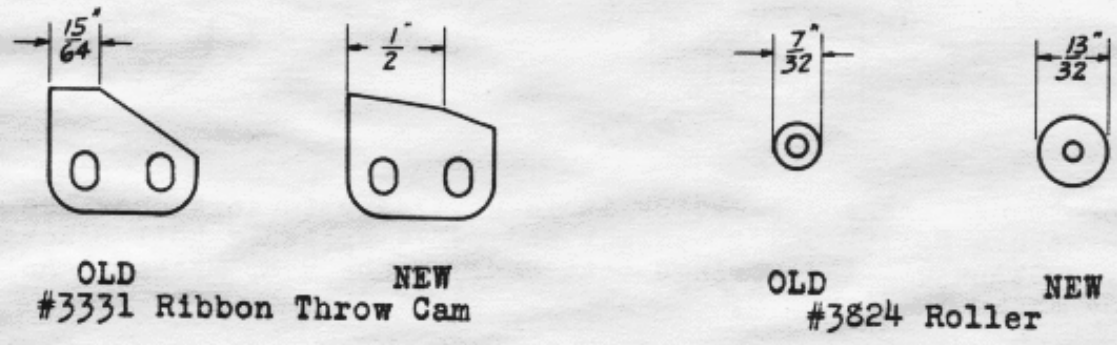


NEW DESIGN CAM AND ROLLER FOR RIBBON THROW LEVER

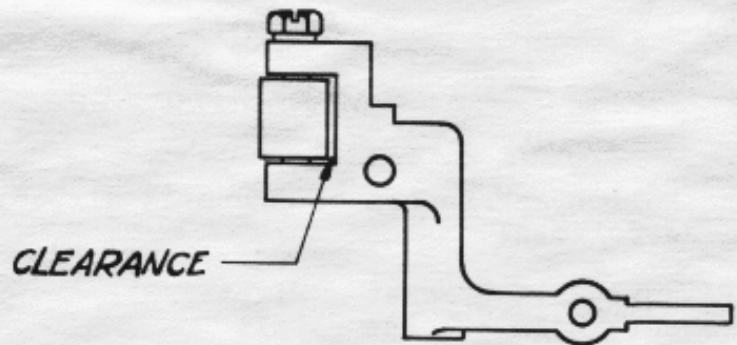
In order to reduce the travel of the ribbon throw lever arm, the #3824 Ribbon Throw Lever Roller and #3331 Ribbon Throw Cam have been changed in design. New style parts are now being furnished, old style parts being obsolete.

Although the new style parts retain the old numbers, the new and old parts are not interchangeable. If either one of the old parts is to be replaced both the roller and cam must be ordered.

The old and new style parts can be identified from following sketches:-



On some of the Ribbon Throw Levers (#9851) in the field it has been found that there is insufficient clearance between the new roller and lever casting. It will be necessary to file away lever casting to provide sufficient clearance.



Parts referred to above will be found on pages 8 and 20.

DEVICE FOR ADJUSTING
THE TENSION OF THE PRESSURE ROLLS

A device for adjusting the tension of the Rear Pressure Rolls of the Platen Top has been designed as shown in Figure 1.

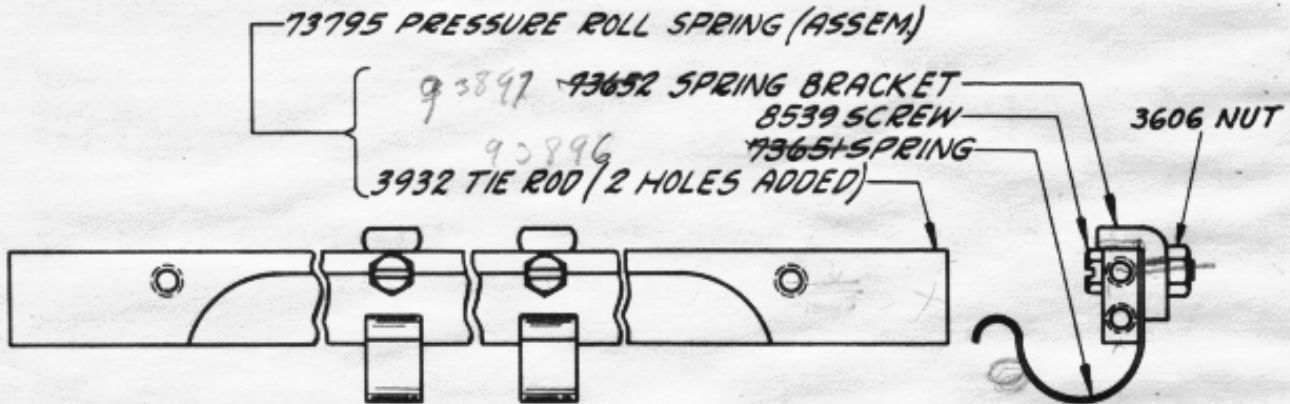


FIGURE 1.

In order to use the above device it is necessary to work over the #9868 Pressure Roll Bracket - Right and #9874 Pressure Roll Bracket - Left by cutting off the Springs that bear on the Rear Pressure Roll Shaft as shown in Figure 2.

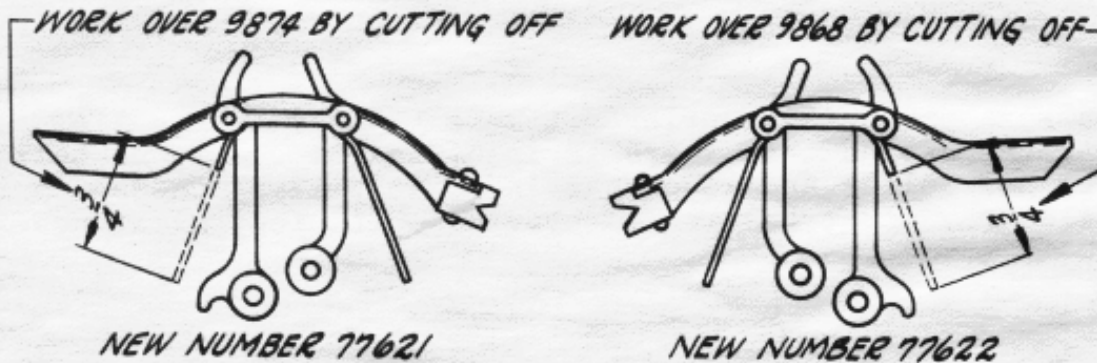


FIGURE 2.

#9868 and #9874 Pressure Roll Brackets can be procured already worked over by ordering as follows:

- #77622 Pressure Roll Bracket - Right
- #77621 Pressure Roll Bracket - Left

NEW DESIGN BUFFER PISTON ROD AND CLIP

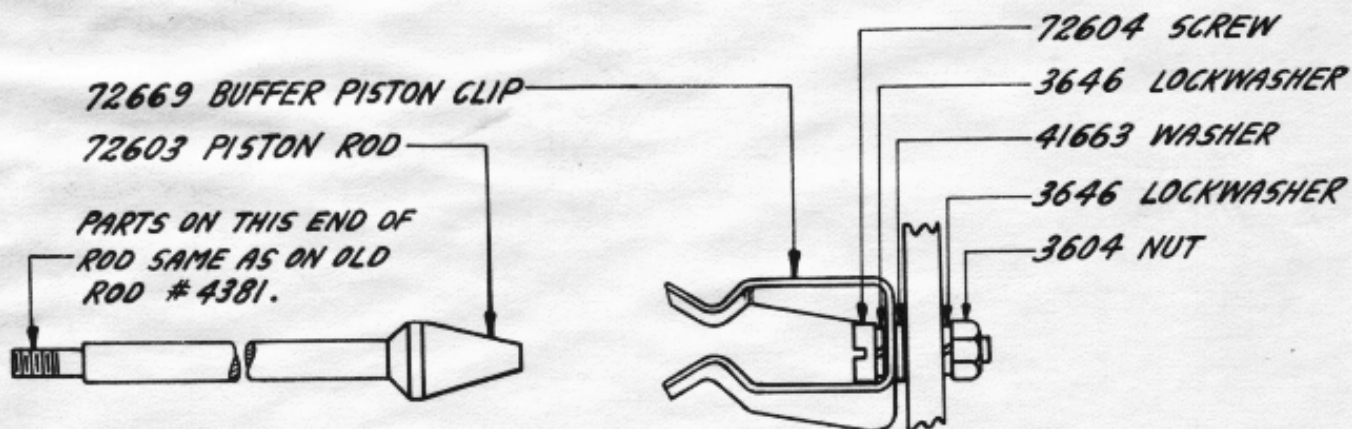
The buffer piston rod, clip and screw have been changed in design.

On buffer assembly shown on page 21, the

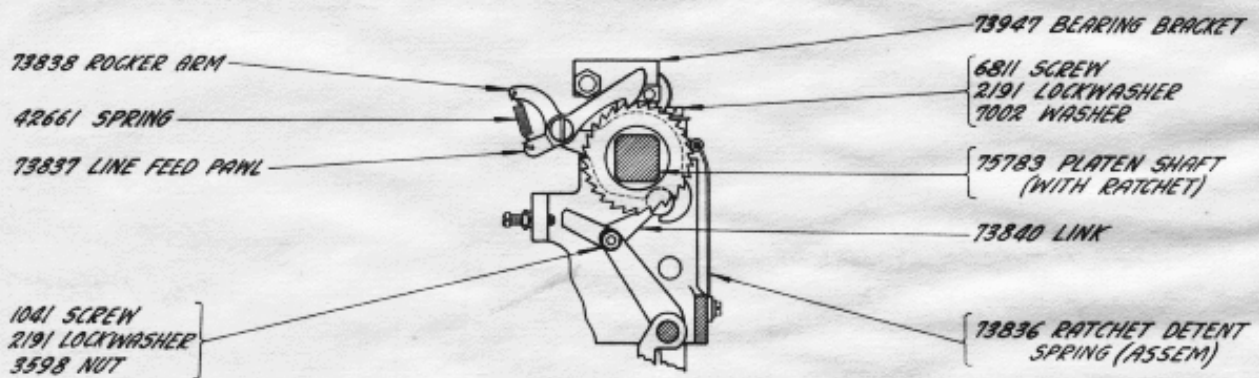
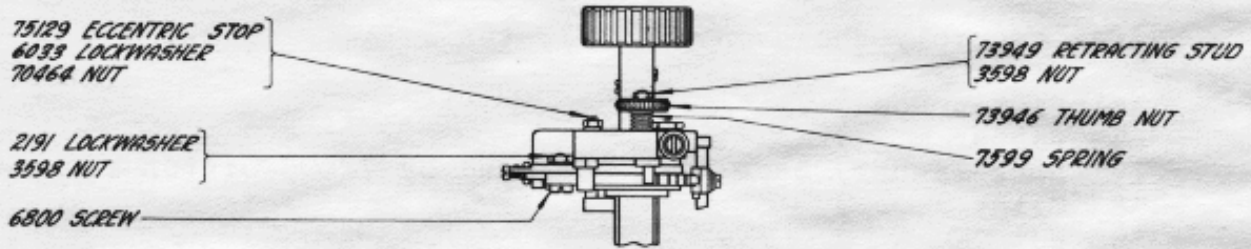
| | | |
|-------------------|---|--|
| #4381 Piston Rod | } | have been replaced by 72603 piston rod |
| #3649 Washer | | |
| #2191 Lock Washer | | |
| #4383 Clip | | |
| #3598 Nut | | |

Referring to page 17

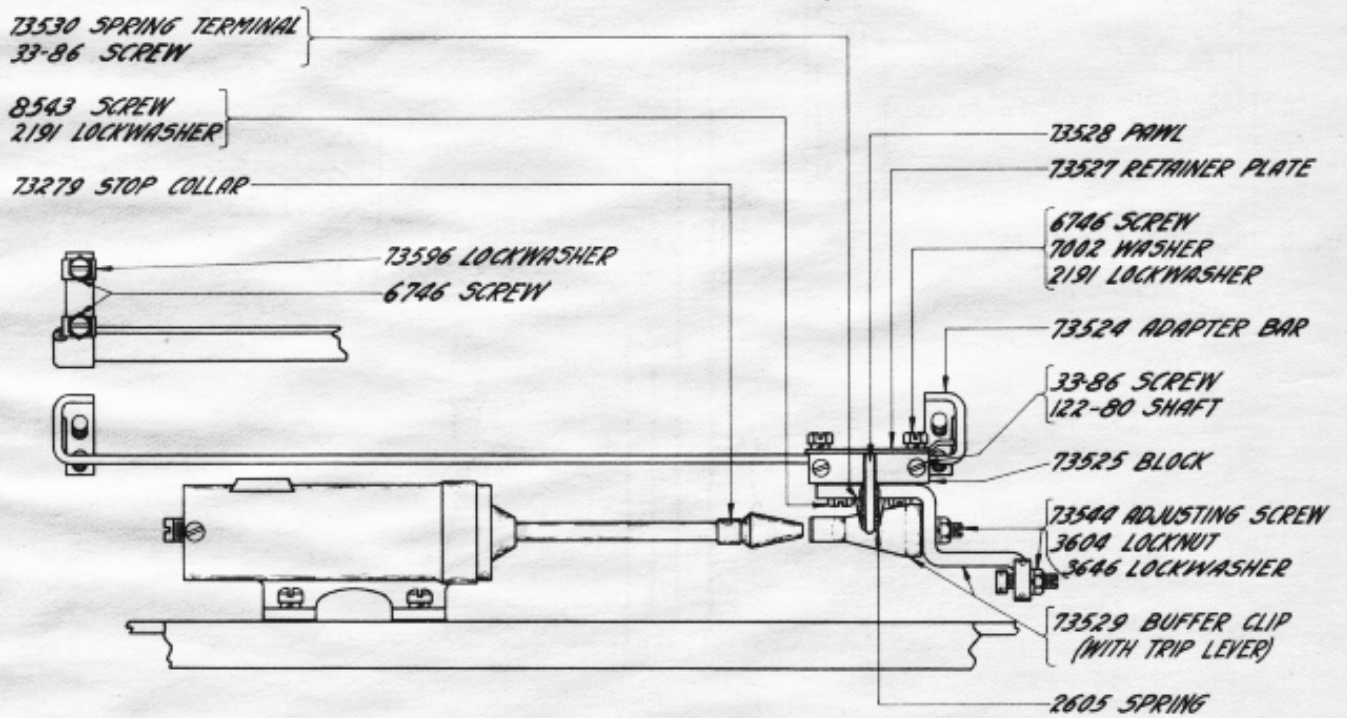
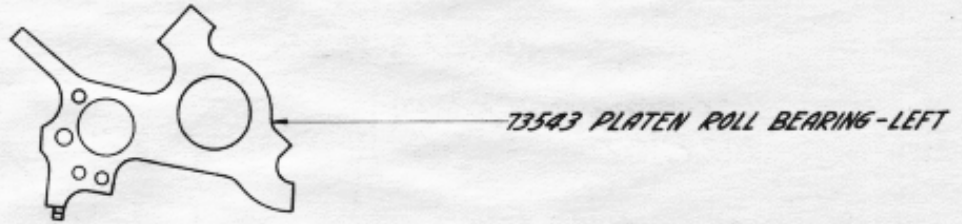
| | | | |
|----------------------------|---|---------------|----------------------------|
| #4385 Plunger return screw | } | have been re- | { 72669 Buffer piston clip |
| #3646 Washer | | | { 3604 Nut |
| #3597 Nut | | | { 3646 Lock Washer (2) |
| | | | { 41663 Washer |
| | | | { 72604 Screw |



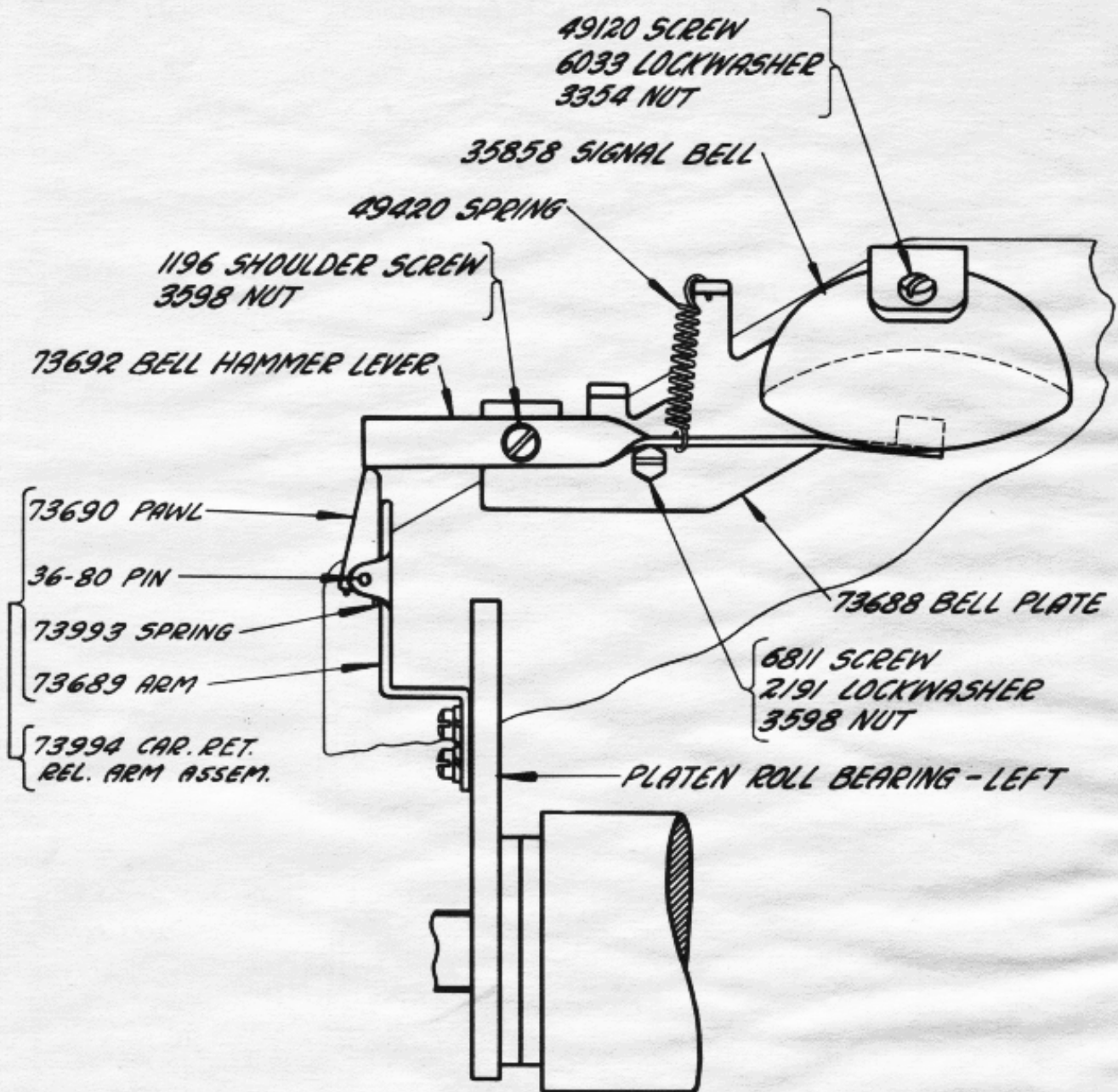
SINGLE DOUBLE LINE SPACE PARTS



73570 SET OF PARTS FOR VARIABLE CARRIAGE STOP
 (DOES NOT INCLUDE 73543 PLATEN ROLL BEARING-LEFT)



73790 SET OF PARTS FOR MARGIN BELL SIGNAL



73749 TEMPLATE - FOR LOCATING AND DRILLING (#18 DR.)
MOUNTING HOLES IN PLATEN TOP FOR 73688 BELL PLATE.

NOTES OF EXPLANATION

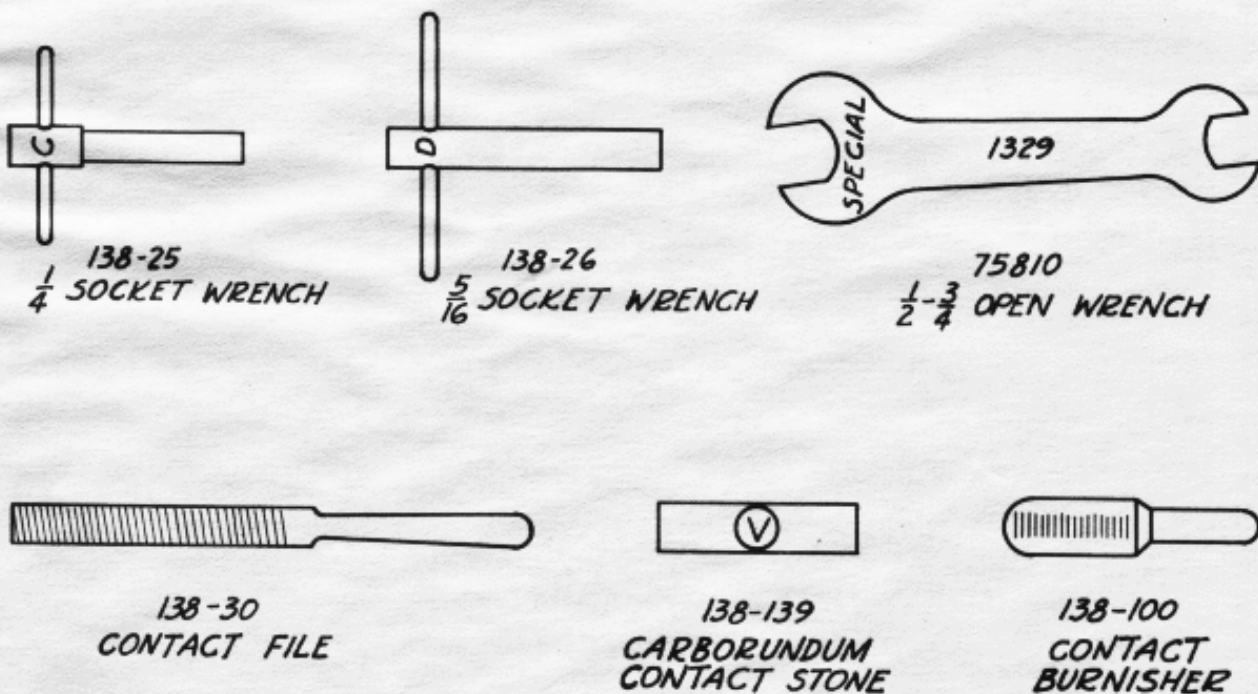
PAGE 1

Printers arranged to release on the Space combination as well as on Letters may be prevented from releasing on Space by use of #8651 Clip. This Clip is placed on #9892 Push Bar Guide underneath #6851 Space Release Push Bar.

PAGE 24

- ① The 81047 Set of Tools now includes the new tools marked ① .

For customers, other than the Bell System, not desiring these new tools, the following old tools may be ordered:



NUMERICAL INDEX

- 6-1 Thumb Wheel, 18
6-2 Sleeve, 18
33-13 2-56x1/4 Screw, 22
33-29 6-40 Shoulder Screw, 16
33-86 4-40x1/8 Screw, 18,34
33-111 2-56x3/16 Screw, 22
33-151 4-40x1/4 Screw, 18
33-158 6-40x1/2 Screw, 18,20
33-163 4-40x7/8 Screw, 14,23
33-196 6-40x3/4 Screw, 20
33-198 6-40x1/4 Screw, 18
33-202 10-32x1-1/4 Screw, 22
33-213 3-56 Screw, 2
33-257 8-36x1/4 Screw, 23
33-344 10-32x3/4 Screw, 10,14
33-346 6-40 Shoulder Screw, 10,14,16,22
34-4 10-32 Hex. Nut, 6,10,12,14,22
34-10 8-48 Hex. Nut, 4
34-11 2-56 Hex. Nut, 2
34-48 6-32 Hex. Nut, 10
34-59 10-32 Hex. Nut, 23
34-60 Acorn Nut, 23
35-2 Spring, 4
35-40 Spring, 12
35-42 Spring, 20
35-70 Spring, 22
35-123 Spring, 16
35-132 Spring, 16,20
36-80 Pin, 35
120-20 Washer, 22
122-63 Post, 16
122-80 Shaft, 34
123-342 Grease Cup (with Wick), 23
123-343 Wick (with Spring), 23
126-108 Brush Holder (with Cap), 23
126-118 Bearing, 23
126-123 Outlet Bushing, 23
126-126 Brush, 23
126-127 Spring, 23
138-22 Screw Driver, 24
138-23 3/16 Socket Wrench, 24
138-25 1/4 Socket Wrench, 36
138-26 5/16 Socket Wrench, 36
138-30 Contact File, 36
138-34 1/4 Open Wrench, 24
138-36 3/16-1/4 Open Wrench, 24
138-43 .002 Gauge, 24
138-44 .004 Gauge, 24
138-55 8 oz. Scale, 24
138-58 32 oz. Scale, 24
138-100 Contact Burnisher, 36
138-125 .010 Gauge, 24
138-126 .020 Gauge, 24
138-128 5/16 Open Wrench, 24
138-139 Carborundum Contact Stone, 36
M-152 Magnet, 2
M-153 6th Pulse Magnet, 4
200-1031 Lock Washer, 4,14
200-1345 Needle Valve, 22
200-2800 Paper Spindle, 16
300-113 Set Screw Seat, 22
1008 3/16-40 Shoulder Screw, 6
1010 6-40 Shoulder Screw, 20
1026 6-40x3/8 Screw, 2,10,14,18,22,29
1028 4-40x1/4 Screw, 2,4
1038 6-40x9/32 Screw, 2,6,14,18
1041 6-40 Shoulder Screw, 33
1046 6-40 Shoulder Screw, 6,20
1051 4-40x1/2 Screw, 22
1069 10-32 Shoulder Screw, 10
1073 6-40 Thumb Screw, 18
1097 4-40x15/32 Screw, 2
1099 5/16-18x4-1/2 Body Bolt, 22
1100 1/4-32 Pilot Screw, 6,8,12
1102 3/16-40 Screw, 10
1103 3/16-40 Screw, 12
1105 3/16-40 Pilot Screw, 4,6
1106 5/32-40 Adj. Screw, 6,20
1107 3/16-40x11/16 Screw, 8,10
1108 6-40 Feed Pawl Screw, 16
1109 10-32x7/32 Screw, 4,6,8,14
1111 8-32x5/16 Screw, 8
1112 4-40x1/2 Screw, 4
1113 1/4-20 Screw, 14,23

NUMERICAL INDEX

| | | | |
|------|---|------|--|
| 1117 | 3/16-40 Screw, 14 | 1202 | 5/32-50x5/32 Screw, 18 |
| 1118 | 6-40 Shoulder Screw, 10 | 1204 | Pivot Screw, 18 |
| 1120 | 5/32-32x5/16 Screw, 12 | 1205 | 3-48x.238 Screw (under Paper Finger), 18 |
| 1121 | 10-32x3/8 Screw, 6,8,12,14,16,22 | 1214 | 10-32 Screw, 10 |
| 1122 | 8-32x9/32 Screw, 2 | 1215 | 6-40 Shoulder Screw, 12,16,22 |
| 1123 | 3/16-30 Screw, 10,12 | 1222 | 2-56x1/2 Screw, 2 |
| 1124 | 1/8-40 Screw, 12 | 1223 | 10-32x1/2 Screw, 6,10,12,14,20,22 |
| 1125 | 8-32 Screw, 12 | 1224 | 6-40 Adj. Screw, 2 |
| 1126 | .148-32x17/32 Screw, 10 | 1228 | 8-32x3/4 Screw, 4 |
| 1129 | 3-48-5/32 Screw, 20 | 1231 | Cap Screw, 23 |
| 1130 | 1/8-50x3/16 Screw, 20 | 1249 | Clamping Rod, 23 |
| 1131 | 6-32x3/16 Screw, 16 | 1291 | 6-32x3/4 Screw, 23 |
| 1132 | Shoulder Screw, 16 | 2084 | Roller, 29 |
| 1133 | 5-48 Screw, 20 <i>1/8-50</i> | 2191 | Lock Washer, 2,4,6,8,10,12,14,16,18,20, 22,23,28,29,32,33,34,35 |
| 1135 | Screw, 20 | 2209 | 3/16-40 Adj. Nut, 14 |
| 1136 | 5-40x7/32 Screw, 20,22 | 2247 | Washer, 2,4,8,10,12,14,20,28 |
| 1137 | 5/32-50 Set Screw, 20 | 2254 | Washer, 22 |
| 1139 | 5-48 Shoulder Screw, 22 | 2263 | 8-32 Hex. Nut, 4,14,23 |
| 1140 | 5-40x5/32 Screw, 20 | 2345 | Dowel, 6 |
| 1141 | 3/32-50 Shoulder Screw, 20 | 2382 | Lock Washer, 14 |
| 1143 | 5-40x1/8 Screw, 20 | 2422 | Lock Washer, 2 |
| 1144 | 5-40x.151 Screw, 22 | 2438 | Washer, 2,4 |
| 1145 | 6-32 Screw (Special), 20 | 2449 | Lock Washer, 6,8,12,22 |
| 1146 | 3/16-40 Screw, 14 | 2481 | Collar, 18 |
| 1147 | 5/16-32x1/2 Screw, 10 | 2496 | Bracket, 14 |
| 1158 | 6-32x5/16 Screw, 4,18 | 2526 | Collar, 16 |
| 1160 | 6-40x5/16 Screw, 4,6,8,10,12,14,16, 20,22,29 | 2605 | Spring, 34 |
| 1161 | 6-40x1/4 Screw, 4,6,8,12,14,16,18, 20,28 | 2610 | Gong, 10 |
| 1162 | 4-40x1/4 Screw, 16,20 | 2655 | Post, 6 |
| 1163 | 4-40x3/16 Screw, 12 | 2658 | 6-32 Hex. Nut, 18,20,23 |
| 1167 | 6-40 Shoulder Screw, 6,16,20 | 2669 | Lock Washer, 4,6,8,10,12,14,16,20,22,29 |
| 1168 | 4-40x5/16 Screw, 2,20 | 2719 | Washer, 8,14,23 |
| 1169 | 6-40x7/16 Screw, 4,10 | 2727 | 25 Lb. Scale, 24 |
| 1171 | 6-32x3/16 Screw, 10,14 | 2761 | Body Clamp (with Long Hook), 22 |
| 1176 | 6-40x3/16 Screw, 2,8,16,20 | 2763 | Washer (Small), 22 |
| 1179 | 6-40x5/8 Screw, 8 | 2802 | 3/8-9/16 Open Wrench, 24 |
| 1184 | 3/16-40 Screw, 4 | 2836 | Spring, 16,22 |
| 1185 | 6-40 Thumb Screw, 16 | 2844 | Lock Washer, 22 |
| 1195 | 8-32 Screw, 8 | 2846 | Washer, 14,23 |
| 1196 | 6-40 Shoulder Screw, 29,35 | 3054 | Pneumatic Keytop (A -), 25,26,27 |
| 1200 | 6-40x9/32 Screw, 18 | 3055 | " " (B ?), 25,26,27 |
| 1201 | 6-40 Shoulder Screw, 18 | 3056 | " " (C :), 25,26,27 |
| | | 3057 | " " (D \$), 25,26,27 |

NUMERICAL INDEX

| | | | |
|------|---|------|--|
| 3058 | Pneumatic Keypop (E 3), 25,26,27 | 3141 | Shift Push Bar (Use 4708 Spring), 2,27 |
| 3059 | " " (F 1), 25,26,27 | 3145 | Code Bar Retainer Plate, 14 |
| 3060 | " " (G &), 25,26,27 | 3149 | Release Push Bar (Use 5610 Spring), 2, 10,26,27 |
| 3061 | " " (H), 25,26,27 | 3150 | Carriage Return Reset Lever, 12 |
| 3062 | " " (I 8), 25,26,27 | 3154 | Shaft, 4 |
| 3063 | " " (J '), 25,26,27 | 3156 | Code Bar Lock Lever Blade, 6 |
| 3064 | " " (K ()), 25,26,27 | 3159 | Escapement Wheel, 16 |
| 3065 | " " (L)), 25,26,27 | 3160 | Escapement Pawl, 16 |
| 3066 | " " (M -), 25,26,27 | 3162 | Spring Drum, 16 |
| 3067 | " " (N .), 25,26,27 | 3165 | Striker Bail Blade, 6 |
| 3068 | " " (O 9), 25,26,27 | 3166 | Depressing Bail Blade, 12,14 |
| 3069 | " " (P 0), 25,26,27 | 3168 | Push Rod, 16 |
| 3070 | " " (Q 1), 25,26,27 | 3170 | Oil Shield, 2 |
| 3071 | " " (R 4), 25,26,27 | 3177 | Bracket, 29 |
| 3072 | " " (S '), 26,27 | 3178 | Button, 4 |
| 3073 | " " (T 5), 25,26,27 | 3180 | Collar, 8 |
| 3074 | " " (U 7), 25,26,27 | 3181 | Slack Bar, 16 |
| 3075 | " " (V ;), 25,26,27 | 3182 | Washer, 18 |
| 3076 | " " (W 2), 25,26,27 | 3184 | Depressing Bail Shaft, 14 |
| 3077 | " " (X /), 25,26,27 | 3185 | Striker Bail Shaft, 6 |
| 3078 | " " (Y 6), 25,26,27 | 3187 | Push Button, 16 |
| 3079 | " " (Z *), 25,26,27 | 3188 | Oiler Adapter, 6,8,12 |
| 3080 | " " (Blank), 25,26,27 | 3189 | Adjustable Carriage Stop, 18 |
| 3081 | " " (Figs.), 25,26,27 | 3190 | Spring Post, 16 |
| 3082 | " " (Ltrs.), 25,26,27 | 3192 | Cover Plate, 16,20 |
| 3100 | 6th Pulse Magnet Yoke, 4 | 3194 | Shaft Bushing, 18 |
| 3101 | Yoke, 2 | 3195 | Shift Latch, 10 |
| 3104 | Selector Magnet Bracket, 2 | 3196 | Spacer Cam, 8 |
| 3106 | Turnbuckle, 6,12 | 3197 | Collar, 16 |
| 3108 | Roller, 8 | 3198 | 6-40 Lock Nut, 16,22 |
| 3110 | 10-32 Hex. Nut (L.H.), 6,12 | 3202 | Code Bar Lock Lever, 6 |
| 3112 | Selector Plunger, 2 | 3206 | Roller, 4,6 |
| 3113 | 6th Pulse Magnet Armature Lever, 4 | 3207 | Spacer Ratchet Wheel, 22 |
| 3114 | Standard Character Push Bar (Use 4702 Spring), 2,25,26,27 | 3216 | Stop Screw Plate, 2 |
| 3115 | Link End (Long), 12 | 3224 | Carriage Return Disc Retainer, 16 |
| 3116 | Striker Bail Rocker, 8 | 3225 | Sleeve, 8 |
| 3117 | Depressing Bail Rocker, 8 | 3226 | Washer (Used on Clutch Throw-Out Lever Shaft), 4 |
| 3119 | Left Basket Support, 10 | 3227 | Bevel Gear (54 T.), 8,23 |
| 3120 | Spacer Rocker, 8 | 3229 | Driving Clutch, 8 |
| 3130 | Link End (R.H. Short), 6,12 | 3230 | Driven Clutch, 8 |
| 3131 | Link End (L.H. Short), 6 | 3231 | Line Feed Shaft Bearing, 20 |
| 3138 | Post, 4 | | |

NUMERICAL INDEX

| | | | |
|------|--------------------------------------|------|---|
| 3233 | Bracket, 16,22 | 3352 | Type Bar Guide, 12 |
| 3238 | Right Rail, 10,14 | 3353 | Type Bar Guide Bracket, 12 |
| 3239 | Left Rail, 10,14 | 3354 | 8-32 Hex. Nut, 12,35 |
| 3245 | Push Bar Spring Bracket, 14 | 3355 | Right Type Bar Hanger Clamping Plate, 10 |
| 3246 | Rocker Shaft, 8 | 3356 | Left Type Bar Hanger Clamping Plate, 10 |
| 3260 | Striker Bail Casting, 6 | 3358 | Ball Race, 10 |
| 3261 | Rocker Shaft Bearing, 8 | 3359 | Fulcrum Wire, 12 |
| 3270 | Right Basket Support, 10 | 3360 | Right Sub-Lever Fulcrum Wire Clamp, 12 |
| 3271 | Shim, 23 | 3361 | Left Sub-Lever Fulcrum Wire Clamp, 12 |
| 3272 | Spacer Rocker Extension, 8 | 3366 | Bell Push Bar (Use 4705 Spring), 2 |
| 3273 | Leather Buffer, 4 | 3369 | Segment Ball, 12 |
| 3281 | Release Push Bar Spring Bracket, 14 | 3371 | Ribbon Shaft Bracket, Right, 20 |
| 3285 | Release Button, 14 | 3372 | Spring Cover Plate, 20 |
| 3286 | Short Bushing, 8 | 3374 | Spring Drum Shaft, 20 |
| 3287 | Long Bushing, 8 | 3375 | 5/16-32 Hex. Nut, 20 |
| 3288 | Washer, 8 | 3378 | Adjusting Cam, 22 |
| 3289 | Motor Pinion (12 T.), 14,23 | 3379 | Carriage Spring, 20 |
| 3292 | 1/4-20 Hex. Nut, 14,23 | 3380 | Driving Ratchet, 20 |
| 3295 | Platen Shaft Bushing Bearing, 22 | 3381 | Ribbon Driving Pawl, 20 |
| 3296 | Cable Guard, 10 | 3383 | Spring, 20 |
| 3297 | Terminal Guard, 10,14 | 3385 | Spring Stop, 20 |
| 3298 | Eccentric Stop, 6 | 3386 | Ribbon Detent Pawl, 20 |
| 3322 | Gong Bracket, 10 | 3388 | Spring, 20 |
| 3323 | Gong Hammer Bracket, 10 | 3389 | Draw Strap, 16 |
| 3324 | Stop, 10 | 3390 | Ribbon Hook, 22 |
| 3328 | Oiler, 4,6,8,12 | 3392 | Ribbon Shaft, 20 |
| 3329 | Oiler, 4,16 | 3393 | Bevel Gear, 20 |
| 3331 | Ribbon Throw Cam, 8,30 | 3395 | Ribbon Guide - Right, 22 |
| 3332 | Ribbon Throw Lever Stop, 20 | 3396 | Ribbon Guide - Left, 22 |
| 3335 | Striker Spring Adjusting Lever, 14 | 3397 | Gear, 20 |
| 3336 | Type Bar Segment, 10,12 | 3399 | Bevel Gear, 20 |
| 3337 | Ribbon Shaft Bracket, Left, 20 | 3573 | Pneumatic Keytop (Car. Ret.), 25,26,27 |
| 3338 | Spring Post, 4,29 | 3578 | " " (Line Feed), 25,26,27 |
| 3339 | 9/16-32 Hex. Nut, 8 | 3595 | 1/4-32 Hex. Nut, 22 |
| 3340 | Lock Washer (Under Nut), 8 | 3596 | 3/16-40 Hex. Nut, 8,10,14,16 |
| 3341 | Slip Connection Strip, 10 | 3597 | 5/32-40 Hex. Nut, 6,18,20,22,32 |
| 3343 | Inner Ball Race, 12 | 3598 | 6-40 Hex. Nut, 2,4,6,10,12,14,16,18,20, 22,29,32,33,35 |
| 3344 | Cable (with 4851 Wire Terminals), 14 | 3599 | 4-40 Hex. Nut, 2,4 |
| 3346 | Roller, 6 | 3604 | 5/32-40 Nut, 22,32,34 |
| 3349 | Stop, 10 | 3605 | 5/32-18 Nut (Used on 2761), 22 |
| 3350 | 3/16-30 Hex. Nut, 10 | 3606 | 6-40 Hex. Nut, 4,31 |
| 3351 | 3/16-30 Hex. Nut, 10,12 | | |

NUMERICAL INDEX

| | | | |
|------|---|------|----------------------------------|
| 3607 | 5/16-32 Hex. Nut, 8 | 3942 | Pressure Roll Tension Spring, 18 |
| 3608 | Spring, 2,4 | 3946 | Pressure Roll Shaft, 18 |
| 3610 | Spring, 16 | 3947 | Front Separator, 18 |
| 3623 | Washer, 12 | 3948 | Back Separator (Short), 18 |
| 3640 | Lock Washer, 2,20 | 3949 | Collar, 16,18,22 |
| 3646 | Lock Washer, 4,6,8,18,20,22,32,34 | 3950 | Hook, 16 |
| 3649 | Washer, 16,22,32 | 3952 | Push Bar Upstop, 6 |
| 3802 | Bevel Gear, 20 | 3953 | Lock Pawl, 16,22 |
| 3805 | Ribbon Reverse Bell Crank, Right, 20 | 3961 | Type Bar Pallet (J '), 25,26 |
| 3807 | Bell Crank Connection, 20 | 3962 | " " " (X /), 25,26 |
| 3809 | Bell Crank Stud, 20 | 3963 | " " " (Q 1), 25,26 |
| 3810 | Bell Crank Stud Sleeve, 20 | 3964 | " " " (V ;), 25,26 |
| 3813 | Connection Wire, 20 | 3965 | " " " (G &), 25,26 |
| 3824 | Roller, 20,30 | 3966 | " " " (W 2), 25,26 |
| 3826 | Ribbon Throw Lever Shaft, 20 | 3967 | " " " (F !), 25,26 |
| 3841 | Cord, 16 | 3968 | " " " (O :), 25,26 |
| 3843 | Spring, 6 | 3969 | " " " (D #), 25,26 |
| 3844 | Spring, 6 | 3970 | " " " (R 4), 25,26 |
| 3845 | Clutch Spring, 8 | 3971 | " " " (8 '), 25,26 |
| 3854 | Leather Washer (Used on 1099), 22 | 3972 | " " " (A -), 25,26 |
| 3855 | Motor Clamp, 22 | 3973 | " " " (T 5), 25,26 |
| 3861 | Knob, 8 | 3974 | " " " (E 3), 25,26 |
| 3863 | Paper Guide Bar Bearing, 18 | 3975 | " " " (N), 25,26 |
| 3868 | Spring, 2 | 3976 | " " " (I 8), 25,26 |
| 3870 | Spring, 12 | 3977 | " " " (O 9), 25,26 |
| 3871 | Spring, 6 | 3978 | " " " (H 2), 25,26 |
| 3872 | Shift Shaft Balance Spring, 12 | 3979 | " " " (L), 25,26 |
| 3873 | Washer (Large), 22 | 3980 | " " " (U 7), 25,26 |
| 3875 | 5/16-18 Nut (Used on 1099 and 3921), 22 | 3981 | " " " (M .), 25,26 |
| 3882 | Post, 4 | 3982 | " " " (Y 6), 25,26 |
| 3887 | Gear Bracket, 20 | 3983 | " " " (P 0), 25,26 |
| 3888 | Motor 1/30 H.P.-110 V.-D.C., 23 | 3984 | " " " (B 1), 25,26 |
| 3890 | Clip, 16 | 3985 | " " " (K ()), 25,26 |
| 3897 | Bushing, 10 | 3986 | " " " (Z *), 25,26 |
| 3916 | L.O. Smith Typewriter Ribbon, Black, 22 | 4169 | Lock Washer, 18 |
| 3919 | Spring (5/8 Long for Old Style Line Feed Shaft - See 80758), 20 | 4174 | Code Bar #1, 27 |
| 3920 | Platen Shaft Clamp, 22 | 4175 | " " #2, 27 |
| 3921 | Body Clamp (with Short Hook), 22 | 4176 | " " #3, 26,27 |
| 3930 | Brace, 18 | 4177 | " " #4, 27 |
| 3931 | Paper Finger Bar, 18 | 4178 | " " #5, 26,27 |
| 3932 | Tie Rod, 18,31 | 4179 | " " #1, 25 |
| 3937 | Roller Release Shaft Arm, 18 | 4181 | " " #3, 25 |
| | | 4183 | " " #3, 25 |

NUMERICAL INDEX

| | | | |
|------|---------------------------------------|------|---|
| 4223 | Type Bar Pallet (J '), 27 | 4415 | Selector Lever Spring, 8 |
| 4224 | " " " (X /), 27 | 4418 | Code Bar Look Cam, 8 |
| 4225 | " " " (Q 1), 27 | 4419 | Striker Bail Cam, 8 |
| 4226 | " " " (V ;), 27 | 4420 | Safety Cam, 8 |
| 4227 | " " " (G &), 27 | 4421 | Depressing Bail Cam, 8 |
| 4228 | " " " (W 2), 27 | 4422 | Selector Reset Cam, 8 |
| 4229 | " " " (F !), 27 | 4424 | Selector Latch Spring, 8 |
| 4230 | " " " (C :), 27 | 4429 | Spring, 4 |
| 4232 | " " " (R 4), 27 | 4430 | Code Bar #2, 25 |
| 4233 | " " " (B '), 27 | 4431 | " " #4, 25 |
| 4234 | " " " (A -), 27 | 4432 | " " #1, 26 |
| 4235 | " " " (T 5), 27 | 4433 | " " #2, 26 |
| 4236 | " " " (E 3), 27 | 4434 | " " #4, 26 |
| 4237 | " " " (N), 27 | 4586 | Felt Washer, 10 |
| 4238 | " " " (I 8), 27 | 4603 | Spring, 16 |
| 4239 | " " " (O 9), 27 | 4623 | L.O. Smith Typewriter Ribbon, Purple, 22 |
| 4240 | " " " (H &), 27 | 4701 | Spring, 12,14 |
| 4241 | " " " (L), 27 | 4702 | Spring (for Standard Character and Letters Release Push Bars), 2,10,25,26,27 |
| 4242 | " " " (U 7), 27 | 4703 | Spring, 6,16 |
| 4243 | " " " (M -), 27 | 4704 | Spring, 14 |
| 4245 | " " " (P O), 27 | 4705 | Spring, 2,10,25,26,27 |
| 4246 | " " " (B ?), 27 | 4706 | Washer (Fibre), 10 |
| 4247 | " " " (K ()), 27 | 4707 | Washer (Brass), 10,20 |
| 4248 | " " " (Z "), 27 | 4708 | Spring (for Shift Push Bar), 2,12,25,26,27 |
| 4317 | Carriage Return Release Rod, 12 | 4716 | Carriage Return Push Bar Bearing (Assem.), 12 |
| 4318 | Bell Crank, 16 | 4717 | Line Feed Upright, 12 |
| 4319 | Carriage Return Release Rod Guide, 12 | 4739 | Bell Letter Push Bar with Extension, 2 |
| 4327 | Back Pressure Roll Shaft, 18 | 4740 | Bell Letter Push Bar, Assembly (Use 4705 Spring), 2,25,26 |
| 4342 | Selector Bracket, 8 | 4741 | Bell Push Bar, Assembly (Use 4705 Spring), 2,25,26 |
| 4353 | Stud, 16 | 4742 | Bell Push Bar with Extension, 2 |
| 4355 | Paper Roll Holder (Order 5975), 16 | 4743 | Adjusting Plate, 2 |
| 4370 | Selector Lever, 8 | 4745 | Shift Push Bar (Use 4708 Spring), 2,25,26 |
| 4371 | Selector Latch, 8 | 4808 | Back Panel, 16 |
| 4380 | Cylinder Head, 22 | 4809 | Oiler Wick, 4 |
| 4381 | Piston Rod, 22,32 | 4810 | Oiler Wick, 6,12 |
| 4382 | Leather Washer, 22 | 4812 | Shaft Wick, 6,8,14 |
| 4383 | Buffer Piston Clip, 22,32 | 4813 | Shaft Wick, 4 |
| 4385 | 5/32-40 Plunger Return Screw, 18,32 | 4828 | Striker Bail Shim, 6 |
| 4395 | Selector Lever Spring Plate, 8 | 4838 | 3/8-7/16 Open Wrench, 24 |
| 4396 | Selector Shaft, 8 | 4841 | 12 Lb. Scale, 24 |
| 4397 | Piston Head, 22 | | |
| 4398 | 6th Pulse Out-Out Lever Bail, 8 | | |

NUMERICAL INDEX

| | | | |
|------|---|------|--|
| 4850 | Connecting Ring (with Set Screw #82064), 23 | 5048 | Sub-Lever (without Link), 25,26,27 |
| 4851 | Terminal on Cable, 14 | 5049 | " " " 25,26,27 |
| 4852 | Lock Washer, 4,16 | 5050 | " " " 25,26,27 |
| 4868 | Ribbon Carrier Bracket, 20 | 5051 | " " " 25,26,27 |
| 4869 | Ribbon Throw Lever Arm (with Carrier), 20 | 5052 | " " " 25,26 |
| 4873 | .015 Gauge, 24 | 5097 | Set of Pneumatic Keytops, 27 |
| 4874 | .040 Gauge, 24 | 5327 | Brush Holder Cap, 23 |
| 4879 | Cut-Out Lever Arm, 4 | 5475 | 3/16-40 Hex. Nut, 29 |
| 4888 | Selector Reset Bail Blade, 4 | 5610 | Spring (for Release and Space Release Push Bars), 2,10,25,26,27 |
| 4946 | Type Bar Links for all Bars (except 19,20, 23, and 24), 25,26,27 | 5733 | Stud, 16 |
| 4947 | Type Bar Links (for Bars 19 and 23), 25, 26,27 | 5975 | Paper Roll Holder (New Style), 16 |
| 4948 | Type Bar Links (for Bars 20 and 24), 25, 26,27 | 5988 | Paper Spindle Brake, 16 |
| 4949 | Link Pins, 25,26,27 | 6033 | Lock Washer, 23,33,35 |
| 4972 | Spring, 16 | 6105 | Field, 23 |
| 4984 | Bell Crank, 14 | 6109 | Insulation (for Field Coils), 23 |
| 4987 | Link, 16,22 | 6118 | Field Frame (with Bearing), 23 |
| 4989 | Release Arm, 18 | 6119 | End Shield (with Bearing), 23 |
| 4992 | Rack Retaining Plate, 16,22 | 6122 | Field Coil (with Clip), 23 |
| 4996 | Armature, 23 | 6265 | Paper Cutter Mounting, 18 |
| 5026 | Sub-Lever (without Link), 25,26,27 | 6267 | Paper Cutter Blade, 18 |
| 5027 | " " " 25,26,27 | 6617 | Tommy, 24 |
| 5028 | " " " 25,26,27 | 6746 | 6-40x5/16 Screw, 16,34 |
| 5029 | " " " 25,26,27 | 6800 | 6-40 Shoulder Screw, 33 |
| 5030 | " " " 25,26,27 | 6807 | 6-40x3/16 Set Screw, 28 |
| 5031 | " " " 25,26,27 | 6811 | 6-40x5/8 Screw, 33,35 |
| 5032 | " " " 25,26,27 | 6851 | Space Release Push Bar (with Extension), 2,25 |
| 5033 | " " " 25,26,27 | 6852 | Letters Release Push Bar (with Extensions), 2,25 |
| 5034 | " " " 25,26,27 | 7002 | Washer, 23,33,34 |
| 5035 | " " " 25,26,27 | 7030 | Pawl, 28 |
| 5036 | " " " 25,26,27 | 7054 | Paper Finger, 18 |
| 5037 | " " " 25,26,27 | 7550 | Connector, 23 |
| 5038 | " " " 25,26,27 | 7555 | Ribbon Throw Lever Stop Bracket, 20 |
| 5039 | " " " 25,26,27 | 7599 | Spring, 33 |
| 5040 | " " " 25,26,27 | 7624 | Sub-Lever (without Link), 25,26 |
| 5041 | " " " 25,26,27 | 7640 | Pneumatic Keytop (J SGL.), 26 |
| 5042 | " " " 25,26,27 | 8176 | Set of Non-Fraction Pneumatic Keytops, 25 |
| 5043 | " " " 25,26,27 | 8177 | Pneumatic Keytop (S Bell), 25,26 |
| 5044 | " " " 25,26,27 | 8255 | " " (H #), 25,26 |
| 5045 | " " " 25,26,27 | 8284 | Type Bar Pallet (H #), 25,26 |
| 5046 | " " " 25,26,27 | 8330 | Shim, 29 |
| 5047 | " " " 25,26,27 | 8429 | Lever, 28 |

see 22406

NUMERICAL INDEX

| | | | |
|------|--|------|---|
| 8431 | Bracket, 24 | 9703 | Type Bar #12 (without Pallet), 25,26,27 |
| 8432 | Shaft, 28 | 9704 | " " #13 " " 25,26,27 |
| 8435 | Ratchet, 28 | 9705 | " " #14 " " 25,26,27 |
| 8543 | 6-40x1/4 Screw, 34 | 9706 | " " #15 " " 25,26,27 |
| 8651 | Clip, 2,36 | 9707 | " " #16 " " 25,26,27 |
| 8697 | Spring, 28 | 9708 | " " #17 " " 25,26,27 |
| 8896 | Shim, 4 | 9709 | " " #18 " " 25,26,27 |
| 9075 | Lever, 14 | 9710 | " " #19 " " 25,26,27 |
| 9293 | Crank, 18 | 9711 | " " #20 " " 25,26,27 |
| 9401 | Armature, 2 | 9712 | " " #21 " " 25,26,27 |
| 9404 | Carriage Return Disc, 16 | 9713 | " " #22 " " 25,26,27 |
| 9406 | Carriage Return Latch, 16 | 9714 | " " #23 " " 25,26,27 |
| 9407 | Spacer Pinion and Shaft, 22 | 9715 | " " #24 " " 25,26,27 |
| 9408 | Main Shaft with No. 3228 Clutch Throw-Out Reset Cam and 3248 Pin, 8 | 9716 | " " #25 " " 25,26,27 |
| 9410 | Paper Cutter (Assem.), 18 | 9717 | " " #26 " " 25,26,27 |
| 9411 | Type Bar Pad Mounting, 10,12,14 | 9718 | " " #27 " " 25,26,27 |
| 9412 | Shift Latch Bracket, 10 | 9719 | " " #28 " " 25,26,27 |
| 9426 | Spacer Block, 16,20 | 9720 | " " #29 " " 25,26,27 |
| 9427 | Pawl, 16 | 9721 | " " #30 " " 25,26,27 |
| 9428 | Carriage Return Latch Bracket, 12 | 9722 | " " #31 " " 25,26,27 |
| 9429 | Depressing Bail Bracket, 14 | 9723 | " " #32 " " 25,26,27 |
| 9430 | Terminal, 10,14 | 9724 | " " #33 " " 25,26,27 |
| 9433 | Ribbon Carrier Switch, 20 | 9725 | " " #34 " " 25,26,27 |
| 9435 | Depressing Bail Link (Assem.), 12 | 9726 | #9 Sub-Lever (with Link), 25,26,27 |
| 9446 | Striker Bail Link (Assem.), 6 | 9727 | #10 " " " " 25,26,27 |
| 9452 | Selector Reset Bail Roller Arm, 4 | 9728 | #11 " " " " 25,26,27 |
| 9457 | 6th Pulse Magnet Armature, 4 | 9729 | #12 " " " " 25,26,27 |
| 9459 | Clutch Throw-Out Lever, 29 | 9730 | #13 " " " " 25,26,27 |
| 9463 | Depressing Bail Frame, 14 | 9731 | #14 " " " " 25,26,27 |
| 9472 | Terminal Block, 2 | 9732 | #15 " " " " 25,26,27 |
| 9479 | 6th Pulse Magnet Bracket, 4 | 9733 | #16 " " " " 25,26,27 |
| 9484 | Gong Hammer Lever, 10 | 9734 | #17 " " " " 25,26,27 |
| 9487 | Sub-Lever Segment, 12 | 9735 | #18 " " " " 25,26,27 |
| 9490 | Shift Shaft (with 3147 Shift Lever, 9400 Shift Adjusting Lever and 36-39 Rivet), 10 | 9736 | #19 " " " " 25,26,27 |
| 9491 | Motor Guard, 14,23 | 9737 | #20 " " " " 25,26,27 |
| 9496 | Ribbon Reverse Pawl Bracket, Right, 22 | 9738 | #21 " " " " 25,26,27 |
| 9498 | Ribbon Reverse Pawl Bracket, Left, 22 | 9739 | #22 " " " " 25,26,27 |
| 9499 | Ribbon Spool, Right, 22 | 9740 | #23 " " " " 25,26,27 |
| 9700 | Type Bar #9 (without Pallet), 25,26,27 | 9741 | #24 " " " " 25,26,27 |
| 9701 | " " #10 " " 25,26,27 | 9742 | #25 " " " " 25,26,27 |
| 9702 | " " #11 " " 25,26,27 | 9743 | #26 " " " " 25,26,27 |
| | | 9744 | #27 " " " " 25,26,27 |

NUMERICAL INDEX

| | | | |
|------|---|-------|---|
| 9745 | #28 Sub-Lever (with Link), 25,26,27 | 9949 | Line Feed Pawl, 22 |
| 9746 | #29 " " " 25,26,27 | 9956 | Buffer Cylinder, 22 |
| 9747 | #30 " " " 25,26,27 | 9961 | Selector Magnet Frame, 2 |
| 9748 | #31 " " " 25,26,27 | 9962 | 6th Pulse Out-Out Lever, 4 |
| 9749 | #32 " " " 25,26,27 | 9964 | Deflector, 18 |
| 9750 | #33 " " " 25,26,27 | 9966 | Selector Reset Bail Casting, 4 |
| 9751 | #34 " " " 25,26,27 | 35858 | Signal Bell, 35 |
| 9752 | #36 " " " 25,26,27 | 41558 | 2-56x1/4 Screw, 22 |
| 9754 | Ribbon Spool Shaft, 22 | 41663 | Washer, 32 |
| 9755 | Ribbon Reverse Bell Crank, Left, 20 | 41675 | Washer, 16 |
| 9757 | Detent Spring, 20 | 42661 | Spring, 33 |
| 9758 | Ribbon Reverse Shaft, 20 | 49120 | 8-32x3/8 Screw, 35 |
| 9762 | Ribbon Main Shaft, 20 | 49420 | Spring, 35 |
| 9767 | Ratchet Detent Spring, 20 | 55080 | Bezel, 27 |
| 9768 | Ribbon Throw Lever Bracket, 20 | 70464 | 8-40 Hex. Nut, 33 |
| 9770 | Spacer Bracket, 20 | 70746 | Bevel Gear (52 T.), 23 |
| 9780 | Rack Mounting, 18 | 70769 | Plate, 22 |
| 9788 | Front Panel, 16 | 70835 | Motor 1/30 H.P.-110 V.-A.C. 60 Cycles, 23 |
| 9789 | Side Panel, 16 | 70880 | Clutch Throw-Out Lever Spring Brkt., 29 |
| 9792 | Spring Drum Bracket, 20 | 70899 | Eccentric Stop, 22 |
| 9795 | Packing Box (Assem.), 22 | 70989 | Bevel Gear (53 T.), 23 |
| 9803 | Paper Guide Bar with Left Hand Bearing, 18 | 70990 | Pinion (15 T.), 23 |
| 9806 | Set of Type Bar Pallets, 27 | 71053 | Pneumatic Keytop (F /), 25,26 |
| 9812 | Type Bar Pad, 10,12 | 71057 | " " (L 3/4), 25,26 |
| 9844 | Platen Top, 22 | 71060 | Type Bar Pallet (F 1/4), 25,26 |
| 9847 | Line Feed Shaft, 20 | 71064 | " " " (L 3/4), 25,26 |
| 9851 | Ribbon Throw Lever, 20 | 71193 | Post, 20 |
| 9856 | Platen Roll (Assem.) (consists of #5357 Platen Roll, #3923 Bushings, and #1165 Screws) #71262 Shims are used to take up end play when mounting #9856, 18 | 71262 | Shim, 18 |
| 9857 | Platen Roll Bearing, Right, 18 | 71564 | .006 Gauge, 24 |
| 9858 | Platen Roll Bearing, Left, 18 | 71565 | .040 " 24 |
| 9860 | Paper Guide, 18 | 71566 | .050 " 24 |
| 9865 | Roller Release Lever, 18 | 71567 | .060 " 24 |
| 9866 | Roller Release Shaft, 18 | 71657 | Motor 1/30 H.P.-110 V.-A.C. 50 Cycles, 23 |
| 9868 | Pressure Roll Bracket, Right, 18,31 | 71658 | Armature 50 Cycles (Assem.), 23 |
| 9869 | Front Rubber Roll, 18 | 71831 | Armature 60 Cycles (Assem.), 23 |
| 9870 | Back Rubber Roll, 18 | 71851 | Beveled Gear (15 T.), 28 |
| 9874 | Pressure Roll Bracket, Left, 18,31 | 71852 | " " (30 T.), 28 |
| 9878 | Back Separator (Long), 18 | 71990 | Type Bar Pallet (C 1/8), 25,26 |
| 9892 | Push Bar Guide, 6 | 71995 | Pneumatic Keytop (C 1/8), 25,26 |
| 9922 | Oiler, 8 | 72003 | Contact Spring Bender, 24 |
| 9947 | Carrier Bearing Rod, 18 | 72031 | Celluloid Keytop (A -), 27 |
| | | 72032 | " " (B ?), 27 |

NUMERICAL INDEX

| | | | |
|-------|---|-------|---|
| 72033 | Celluloid Keypop (C :), 27 | 72715 | Type Bar Pallet (V 3/8), 25,26 |
| 72034 | " " (D \$), 27 | 72716 | " " " (B 5/8), 25,26 |
| 72035 | " " (E 3), 27 | 72717 | " " " (N 7/8), 25,26 |
| 72037 | " " (G &), 27 | 72718 | Set of Fractions Type Pallets, 25,26 |
| 72038 | " " (H £), 27 | 72824 | Celluloid Keypop (M .), 27 |
| 72039 | " " (I 8), 27 | 72826 | " " (F !), 27 |
| 72041 | " " (K ()), 27 | 72827 | " " (J '), 27 |
| 72042 | " " (L)), 27 | 72828 | " " (S '), 27 |
| 72045 | " " (O 9), 27 | 72830 | " " (X .), 27 |
| 72046 | " " (P 0), 27 | 73150 | Set of Celluloid Keypops, 27 |
| 72047 | " " (Q 1), 27 | 73151 | Celluloid Keypop (Car. Ret.), 27 |
| 72048 | " " (R 4), 27 | 73152 | " " (Line Feed), 27 |
| 72050 | " " (T 5), 27 | 73208 | Stator (with Windings), 23 |
| 72051 | " " (U 7), 27 | 73209 | End Shield (Assem.), 23 |
| 72052 | " " (V ;), 27 | 73210 | End Shield (Assem.), 23 |
| 72053 | " " (W 2), 27 | 73211 | Screw Cap, 23 |
| 72054 | " " (X /), 27 | 73212 | Oil Wick, 23 |
| 72055 | " " (Y 6), 27 | 73213 | Bearing Lining, 23 |
| 72056 | " " (Z *), 27 | 73214 | Dust Cap, 23 |
| 72057 | " " (Figs.), 27 | 73215 | Clamping Rod, 23 |
| 72058 | " " (Ltrs.), 27 | 73216 | Acorn Nut, 23 |
| 72061 | " " (Blank), 27 | 73217 | 8-36x9/16 Screw, 23 |
| 72524 | Brush (with Spring), 23 | 73218 | Collector, 23 |
| 72555 | 6-40x9/64 Set Screw, 28 | 73219 | Brush Holder Block (with Brushes), 23 |
| 72574 | Locking Bail Finger Holding Tool, 24 | 73220 | Brush Holder Block, 23 |
| 72575 | " " " Bending " 24 | 73222 | Brush Holder Cap, 23 |
| 72581 | Gauge Pin, 24 | 73276 | Shoulder Screw, 16,22 |
| 72603 | Piston Rod, 32 | 73279 | Stop Collar, 34 |
| 72604 | 5/32-40 Screw, 32 | 73362 | Bracket, 16 |
| 72635 | Shim, 2 | 73370 | Gauge, 24 |
| 72669 | Buffer Piston Clip, 32 | 73427 | Shim, 22 |
| 72670 | Spring Bracket, 29 | 73524 | Adapter Bar, 34 |
| 72671 | Spring, 29 | 73525 | Block, 34 |
| 72686 | 8-40 Pilot Screw, 4,29 | 73527 | Retainer Plate, 34 |
| 72700 | Type Bar Pallet (K 1/2), 25,26 | 73528 | Pawl, 34 |
| 72702 | Set of Fractions Keypops (Pneumatic), 25,26 | 73529 | Buffer Clip (with Trip Lever), 34 |
| 72703 | Set of Pneumatic Keypops including 72702 Set of Fractions, 25 | 73530 | Spring Terminal, 34 |
| 72704 | Pneumatic Keypop (V 3/8), 25,26 | 73542 | Type Bar Pallet, (Y 6), 27 |
| 72705 | " " (B 5/8), 25,26 | 73543 | Platen Roll Bearing - Left, 34 |
| 72706 | " " (N 7/8), 25,26 | 73544 | 5/32-40 Adjusting Screw, 34 |
| 72707 | " " (K 1/2), 25,26 | 73570 | Set of Parts for Variable Carriage Stop (Does not include 73543 Platen Roll Bearing - Left), 34 |

NUMERICAL INDEX

| | | | |
|-------|--|-------|---------------------------------|
| 73579 | Locking Plate, 8 | 75545 | Type Bar #28 (with Pallet), 25 |
| 73587 | Brush Holder, 23 | 75546 | " " #27 " " 25 |
| 73596 | Lock Washer, 34 | 75547 | " " #20 " " 25 |
| 73651 | Spring, 31 | 75548 | " " #17 " " 25,26 |
| 73652 | Spring Bracket, 31 | 75549 | " " #16 " " 25 |
| 73688 | Bell Plate, 35 | 75550 | " " #11 " " 25 |
| 73689 | Armature, 35 | 75551 | " " #10 " " 25 |
| 73690 | Pawl, 35 | 75588 | Line Feed Push Bar, 2,25,26,27 |
| 73692 | Bell Hammer Lever, 35 | 75690 | Type Bar Pallet (J), 25 |
| 73704 | Pinion (12 T.), 23 | 75691 | Pneumatic Keytop (J), 25 |
| 73749 | Template, 35 | 75756 | Type Bar #24 (with Pallet), 25 |
| 73790 | Set of Parts for Margin Bell Signal, 35 | 75765 | Spring Hook - Pull, 24 |
| 73795 | Pressure Roll Spring (Assem.), 31 | 75766 | Special Tool, 24 |
| 73836 | Ratchet Detent Spring (Assem.), 33 | 75783 | Platen Shaft (with Ratchet), 33 |
| 73837 | Line Feed Pawl, 33 | 75805 | .008-.020 Wire Gauge, 24 |
| 73838 | Rocker Arm, 33 | 75806 | .010-.040 Wire Gauge, 24 |
| 73840 | Link, 33 | 75807 | .015-.045 Wire Gauge, 24 |
| 73946 | Thumb Nut, 33 | 75808 | Case, 24 |
| 73947 | Bearing Bracket, 33 | 75809 | Set of Gauges (with Case), 24 |
| 73949 | Retracting Stud, 33 | 75810 | 1/2-3/4 Open Wrench, 36 |
| 73993 | Spring, 35 | 75811 | Shim, 14 |
| 73994 | Carriage Return Release Arm (Assem.), 35 | 75904 | Adj. Screw, 22 |
| 73995 | Roller Arm, 29 | 77438 | Washer - 3/64 Thick, 23 |
| 73996 | Adjusting Bracket, 29 | 77439 | " 1/32 " 23 |
| 73997 | Spacer, 29 | 77440 | " 1/64 " 23 |
| 73998 | Adjusting Screw, 29 | 77441 | " 1/64 " 23 |
| 74871 | .385 Open Wrench, 24 | 77442 | " 1/64 " 23 |
| 74903 | Hand Wheel, 24 | 77443 | " 1/32 " 23 |
| 75129 | Eccentric Stop, 33 | 77473 | Type Bar #9 (with Pallet), 27 |
| 75493 | Spring, 2,10,25,26,27 | 77474 | " " #10 " " 27 |
| 75494 | Carriage Return and Rub-Out Push Bar, 2,25 | 77476 | " " #11 " " 27 |
| 75503 | Spring Hook, Push, 24 | 77477 | " " #12 " " 27 |
| 75524 | Adjusting Stop Nut, 10 | 77478 | " " #13 " " 27 |
| 75534 | Fractions Type Pallets, 25 | 77479 | " " #14 " " 27 |
| 75535 | Type Bar Pallet (V 38), 25 | 77480 | " " #15 " " 27 |
| 75536 | " " " (F 14), 25 | 77481 | " " #16 " " 27 |
| 75537 | " " " (C 18), 25 | 77482 | " " #17 " " 27 |
| 75538 | " " " (N 78), 25 | 77483 | " " #18 " " 27 |
| 75540 | " " " (L 34), 25 | 77484 | " " #19 " " 27 |
| 75541 | " " " (B 58), 25 | 77485 | " " #20 " " 27 |
| 75542 | " " " (K 12), 25 | 77486 | " " #21 " " 27 |
| 75544 | Type Bar #31 (with Pallet), 25 | 77487 | " " #22 " " 27 |

NUMERICAL INDEX

| | | | | | |
|-------|-----------------------------|----------|-------|--|----------|
| 77488 | Type Bar #23 (with Pallet), | 27 | 77531 | Type Bar #33 (with Pallet), | 25,26 |
| 77489 | " " #34 | 27 | 77618 | Case, | 24 |
| 77490 | " " #25 | 27 | 77621 | Pressure Roll Bracket - Left, | 31 |
| 77491 | " " #27 | 27 | 77622 | Pressure Roll Bracket - Right, | 31 |
| 77492 | " " #28 | 27 | 77630 | Carriage Return and Rub-Out Push Bar, | 2, 26,27 |
| 77493 | " " #29 | 27 | 78008 | Type Bar #34 (with Pallet), | 26 |
| 77494 | " " #30 | 27 | 78009 | " " #24 | 26 |
| 77495 | " " #31 | 27 | 78630 | 6-40x1/2 Screw, | 22 |
| 77496 | " " #32 | 27 | 78932 | Set of Non-Fractions Spring Cushion Key- tops (for PW Service), | 25 |
| 77497 | " " #33 | 27 | 78935 | Set of Fraction Keytops - Spring Cushion, | 25 |
| 77498 | " " #24 | 27 | 78936 | Set of Spring Cushion Keytops Including 78935 Set of Fractions, | 25 |
| 77499 | " " #27 | 25 | 78946 | Spring Cushion Keytop (A -), | 25 |
| 77500 | " " # 9 | 25,26 | 78947 | " " " (B 1), | 25 |
| 77501 | " " #10 | 25,26 | 78948 | " " " (C :), | 25 |
| 77502 | " " #10 | 25,26 | 78949 | " " " (D \$), | 25 |
| 77503 | " " #11 | 25,26 | 78950 | " " " (E 3), | 25 |
| 77504 | " " #11 | 25,26 | 78951 | " " " (F 1), | 25 |
| 77505 | " " #12 | 25,26 | 78952 | " " " (G Δ), | 25 |
| 77506 | " " #13 | 25,26 | 78953 | " " " (H ε), | 25 |
| 77507 | " " #14 | 25,26 | 78954 | " " " (I 8), | 25 |
| 77508 | " " #15 | 25,26 | 78955 | " " " (J '), | 25 |
| 77509 | " " #16 | 25,26 | 78956 | " " " (K ()), | 25 |
| 77510 | " " #16 | 25,26 | 78957 | " " " (L)), | 25 |
| 77511 | " " #17 | 25,26 | 78958 | " " " (M *), | 25 |
| 77512 | " " #18 | 25,26 | 78959 | " " " (N *), | 25 |
| 77513 | " " #19 | 25,26 | 78960 | " " " (O 9), | 25 |
| 77514 | " " #20 | 25,26 | 78961 | " " " (P 0), | 25 |
| 77515 | " " #20 | 25,26 | 78962 | " " " (Q 1), | 25 |
| 77516 | " " #21 | 25,26 | 78963 | " " " (R 4), | 25 |
| 77517 | " " #22 | 25,26 | 78964 | " " " (T 5), | 25 |
| 77518 | " " #23 | 25,26 | 78965 | " " " (U 7), | 25 |
| 77519 | " " #24 | 25,26 | 78966 | " " " (V ;), | 25 |
| 77520 | " " #34 | 25,26 | 78967 | " " " (W 2), | 25 |
| 77521 | " " #25 | 25,26 | 78968 | " " " (X /), | 25 |
| 77522 | " " #26 | 25,26,27 | 78969 | " " " (Y 6), | 25 |
| 77523 | " " #27 | 25,26 | 78970 | " " " (Z *), | 25 |
| 77524 | " " #28 | 25,26 | 78971 | " " " (Blank), | 25 |
| 77525 | " " #28 | 25,26 | 78972 | " " " (Figs.), | 25 |
| 77526 | " " #29 | 25,26 | 78973 | " " " (Ltrs.), | 25 |
| 77527 | " " #30 | 25,26 | 78976 | " " " (Car. Ret.), | 25 |
| 77528 | " " #31 | 25,26 | | | |
| 77529 | " " #31 | 25,26 | | | |
| 77530 | " " #32 | 25,26 | | | |

NUMERICAL INDEX

| | | | |
|-------|--|-------|---|
| 78978 | Spring Cushion Keypop (Line Feed), 25 | 82711 | 4 Lb. Scale, 24 |
| 78980 | " " " (S Bell), 25 | 82730 | 10-32 Screw, 10 |
| 78981 | " " " (H #), 25 | 82859 | Set of Spring Cushion Keypops (for TWI Service), 25 |
| 78982 | " " " (F 1/4), 25 | 83886 | Type Bar Pallet (H), 25 |
| 78983 | " " " (L 3/4), 25 | 83887 | Type Bar #17 (with Pallet), 25 |
| 78984 | " " " (C 1/8), 25 | 86339 | Filler Washer, 8 |
| 78985 | " " " (V 3/8), 25 | 87697 | 1/2-3/4 Open Wrench, 24 |
| 78986 | " " " (B 5/8), 25 | 87698 | Carborundum Contact Stone, 24 |
| 78987 | " " " (N 7/8), 25 | 88993 | Contact Burnisher, 24 |
| 78988 | " " " (X 1/2), 25 | 89818 | Stop Plate, 16 |
| 78993 | " " " (J), 25 | 89954 | 1/4 Socket Wrench, 24 |
| 80758 | Spring (7/8 Long for New Style Line Feed Shaft - See 3919), 20 | 89955 | 5/16 " " " 24 |
| 81047 | Set of Tools, 24 | 90438 | <i>felt button - aHR-6/1/37</i> |
| 81093 | <i>Set of Tools - 11/1/40 - WTL</i> | 91009 | Link, 25, 26, 27 |
| 82064 | 4-48 Set Screw, 23 | 91010 | " 25, 26, 27 |
| 82274 | Pneumatic Keypop (H Stop), 25 | 91011 | " 25, 26, 27 |
| 82607 | Spring Cushion Keypop (H Stop), 25 | 91117 | Contact File, 24 |
| 82708 | Gong Hammer Lever, 10 | | |

93896 - Rear Pressure Roller Spring } aHR - 3/22/38
 93897 - Spring Bracket

92803 - Rack (Assem.) - Interchangeable with 9280 }
 92804 - Rack }
 92805 - Rack mtp. Bar } aHR 6/1/38
 92806 - Shoulder screw (Head .094" thick) }
 92807 - Shoulder screw (Head .060" thick) }
 92808 - Spacer

95366 - Wrench }
 95367 - Wrench } TC-348
 95368 - Screwdriver }

103955 Oiler Assembly - aHR - 1/23/42