

BULLETIN NO. 1140

ISSUE 1

OCTOBER, 1947

# TELETYPE

PRINTING TELEGRAPH SYSTEMS

PARTS

MODEL 31 TAPE PRINTER



CORPORATION

SUBSIDIARY OF

*Western Electric Company*

CHICAGO, U.S.A.

BULLETIN NO. 1140

ISSUE 1

OCTOBER, 1947

# TELETYPE

PRINTING TELEGRAPH SYSTEMS

PARTS

MODEL 31 TAPE PRINTER



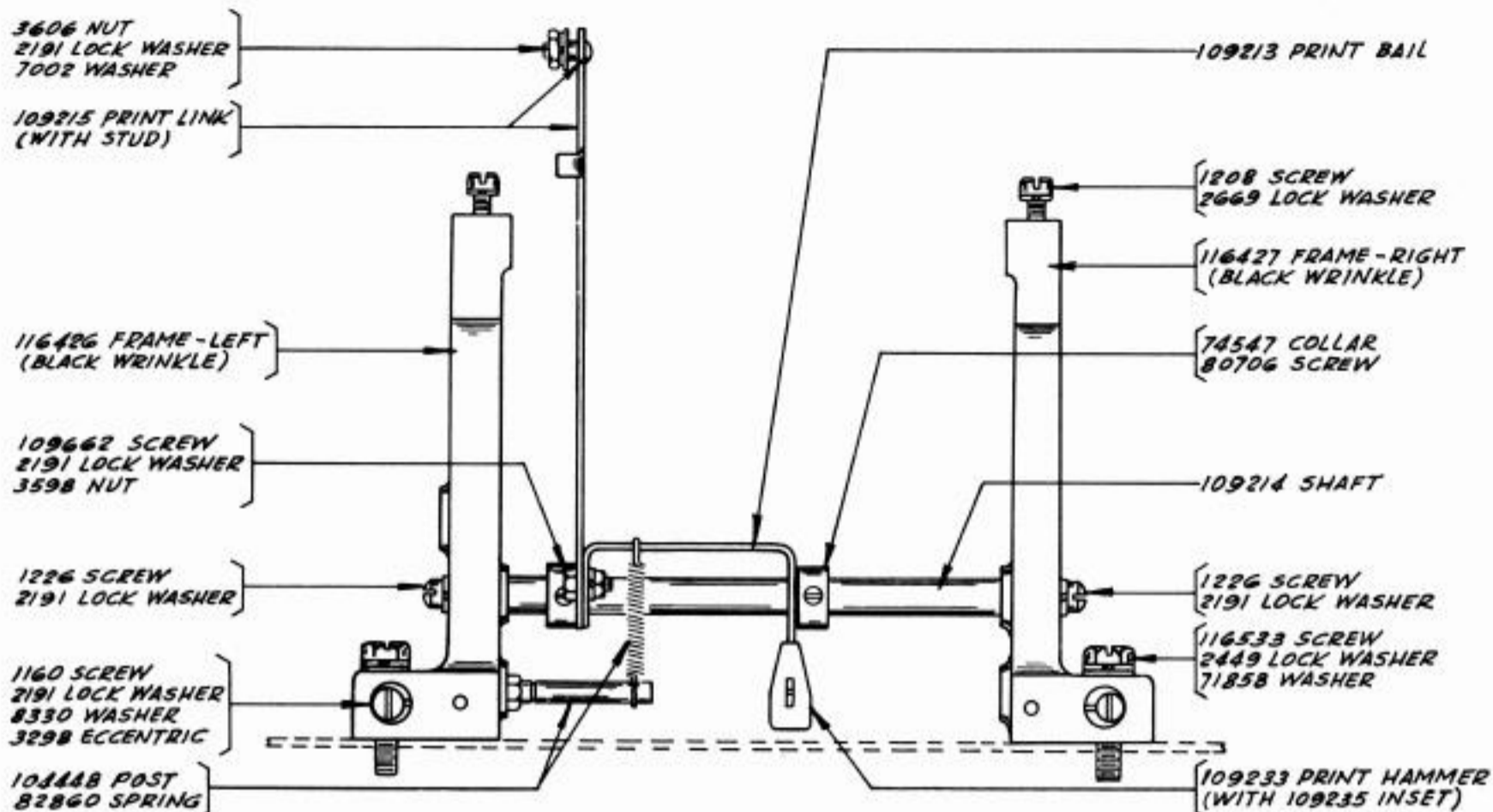
REG. U.S. PAT. OFF.  
CORPORATION

SUBSIDIARY OF

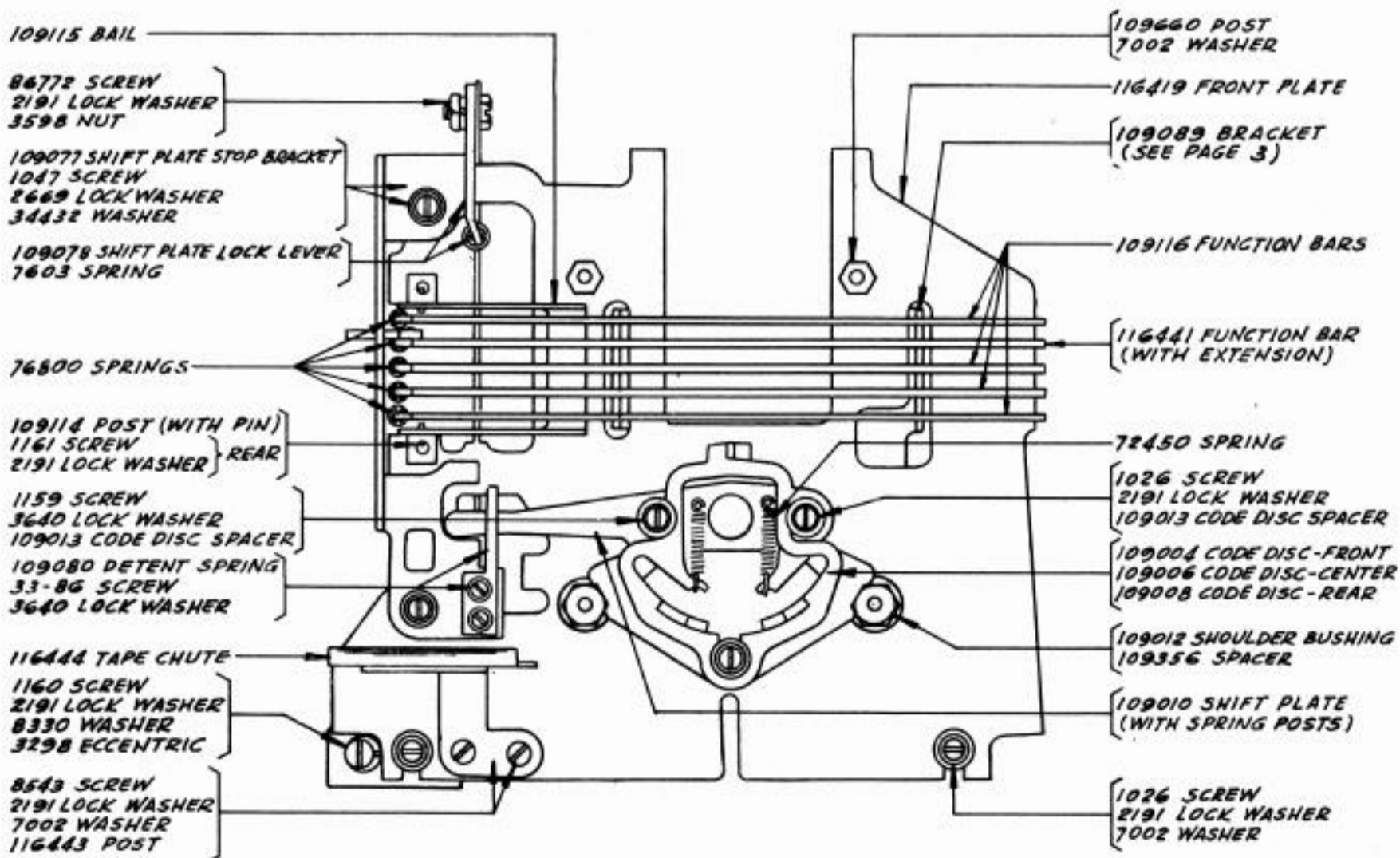
*Western Electric Company*

CHICAGO, U. S. A.

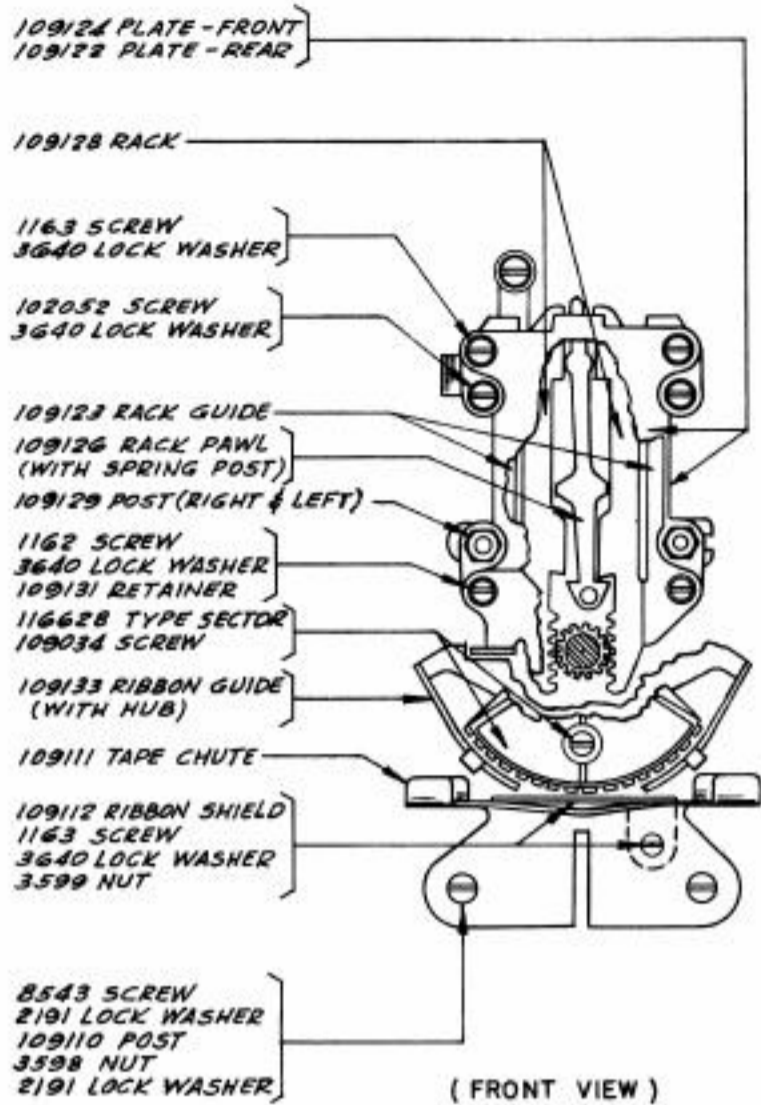




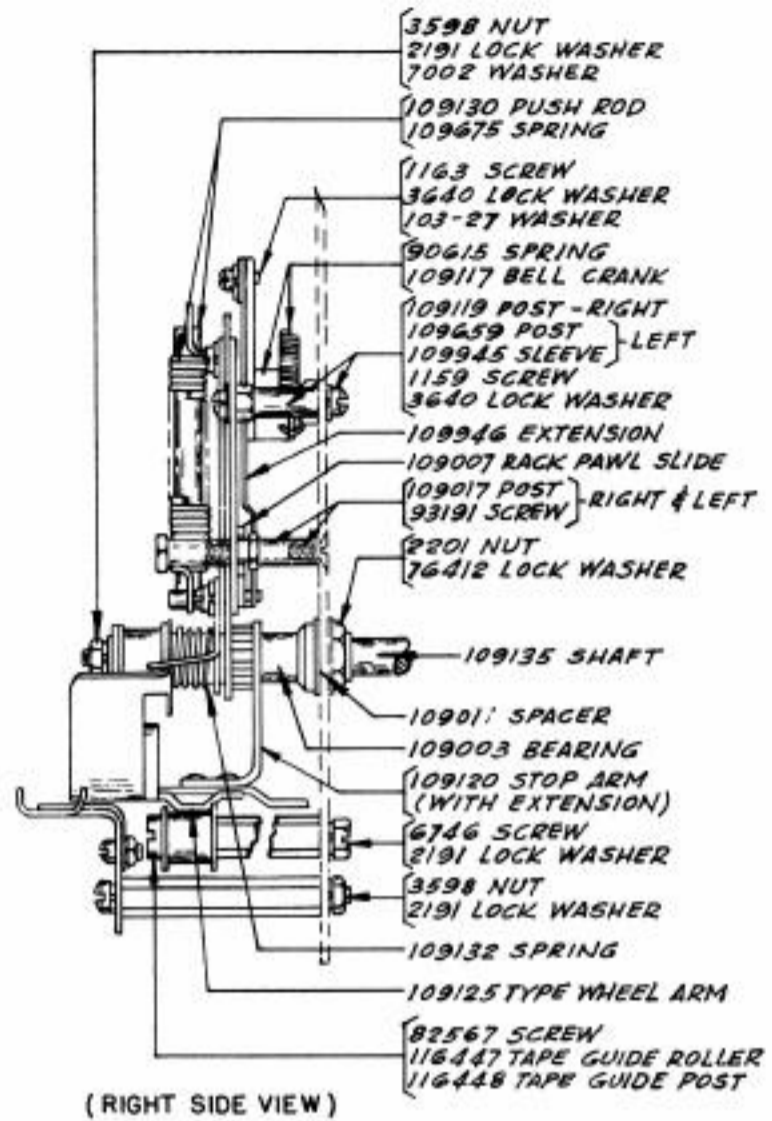
TYPING UNIT FRAME & PRINTING MECHANISM  
(FRONT VIEW)



FRONT PLATE & ASSOCIATED PARTS  
(FRONT VIEW)

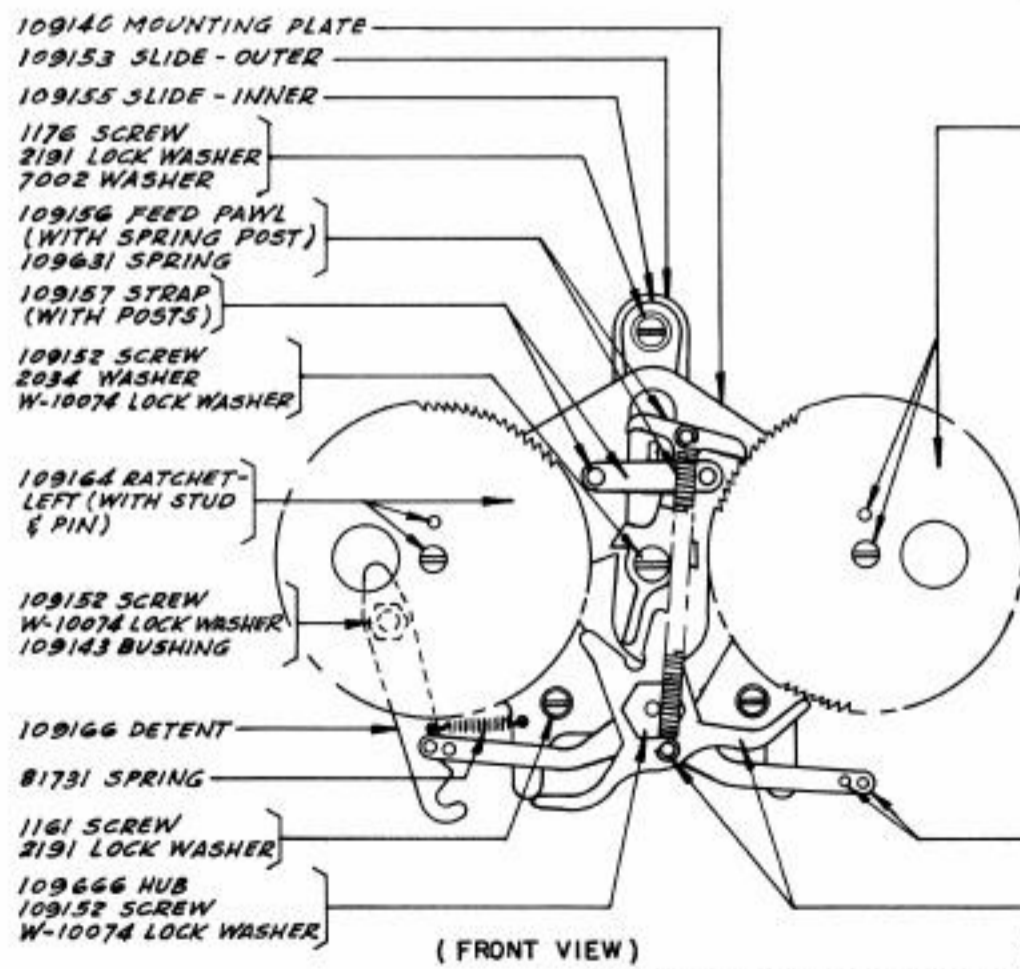


( FRONT VIEW )

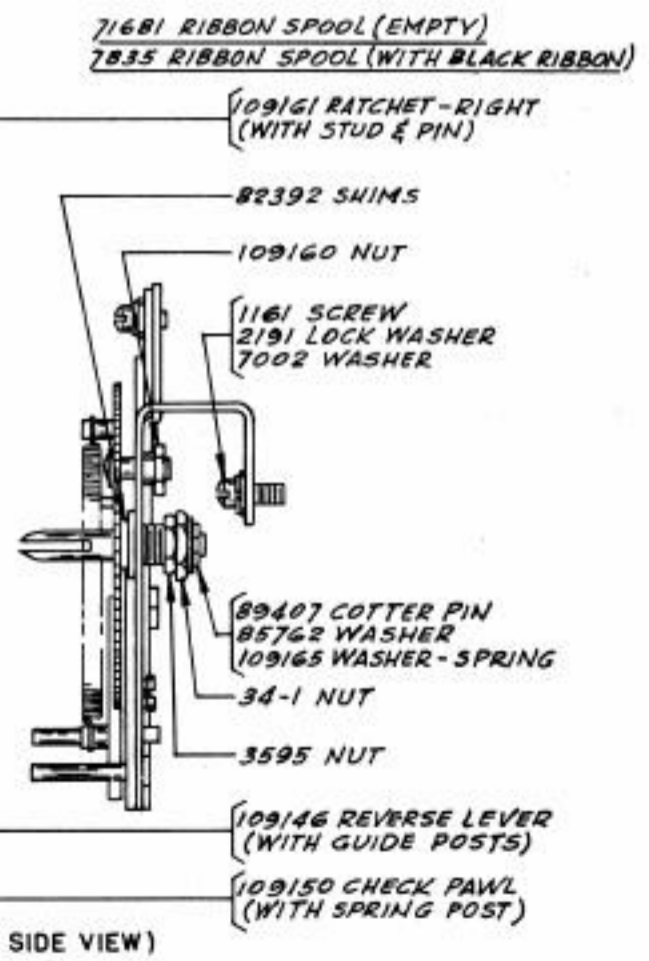


( RIGHT SIDE VIEW )

TYPE SECTOR CENTRALIZER (ASSEM)



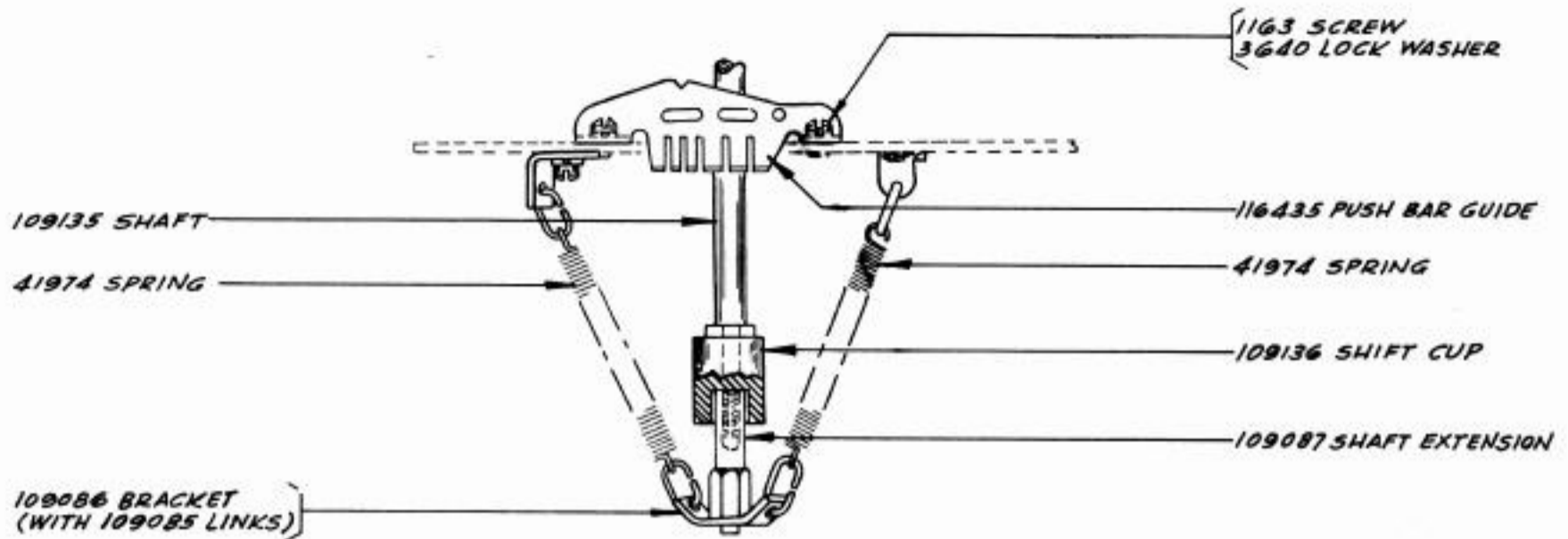
( FRONT VIEW )



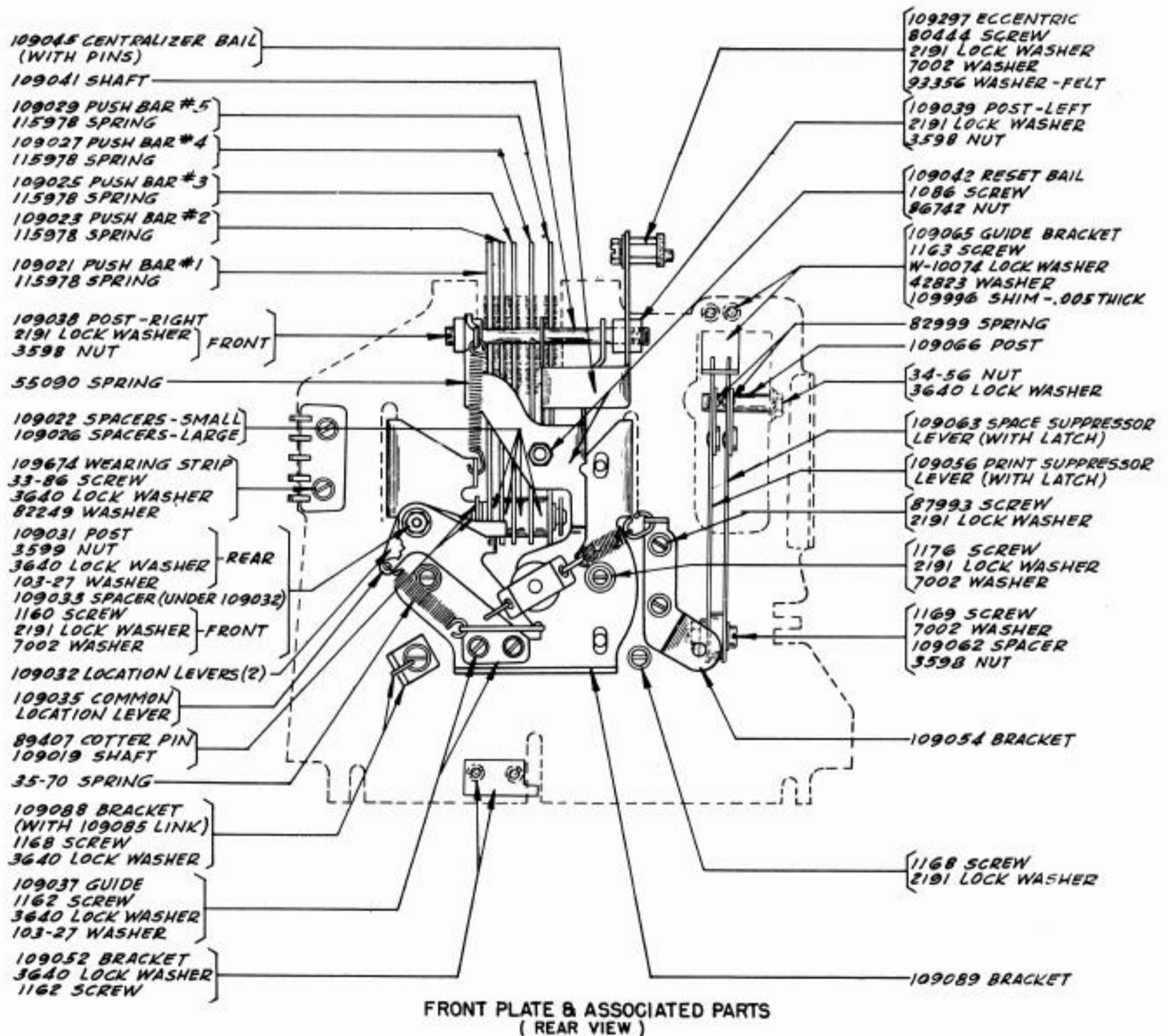
( RIGHT SIDE VIEW )

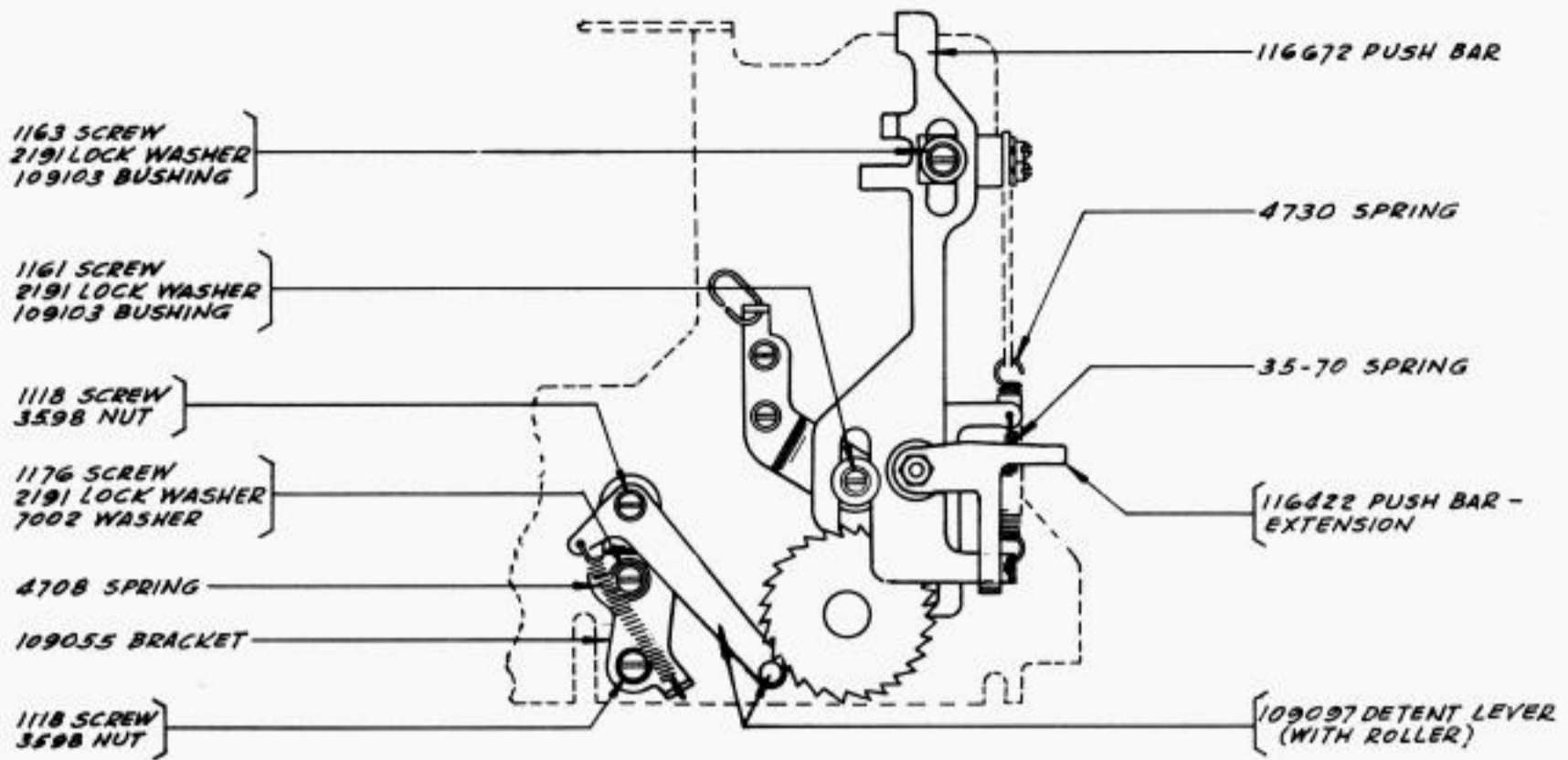
RIBBON FEED MECHANISM (ASSEM)



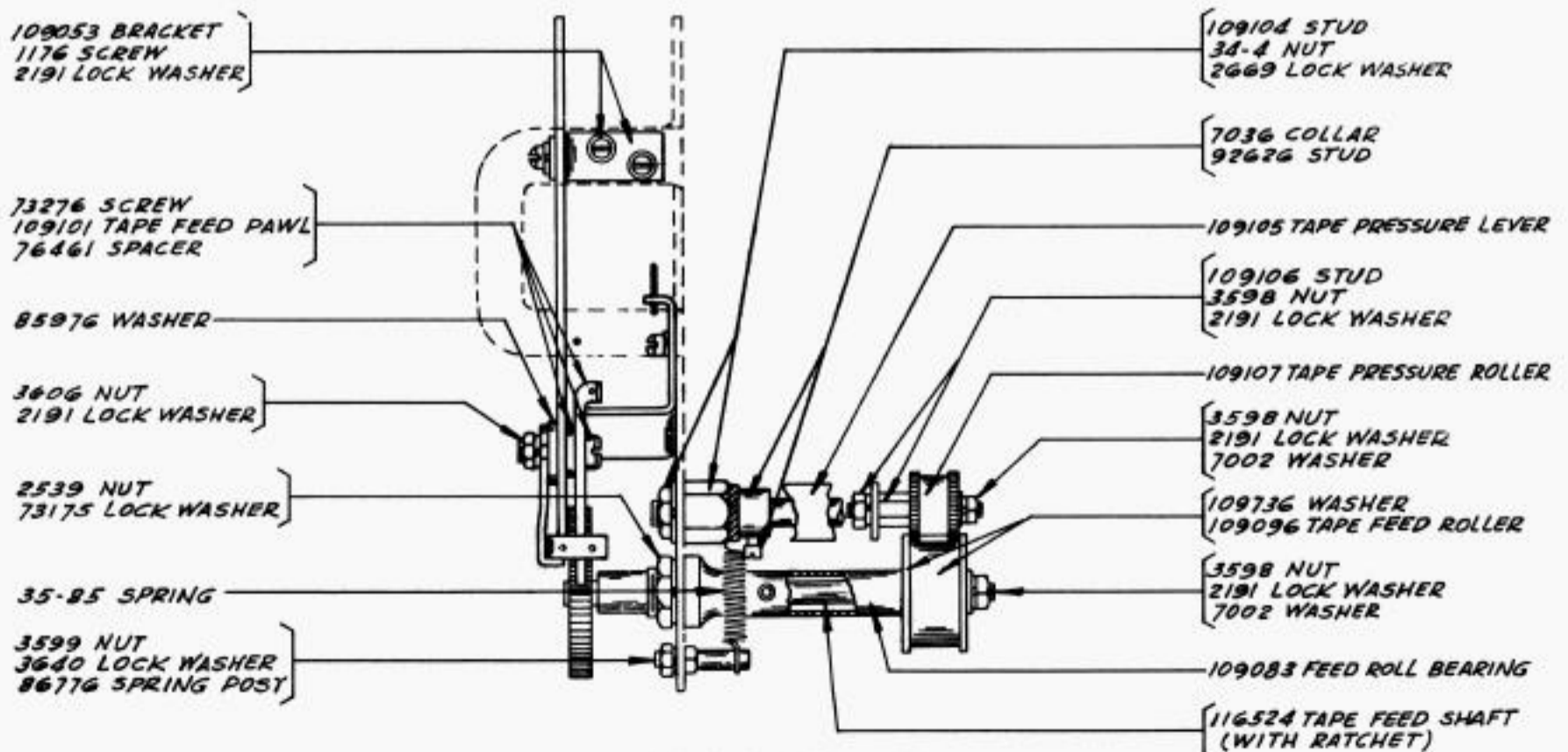


TYPE SECTOR SHAFT



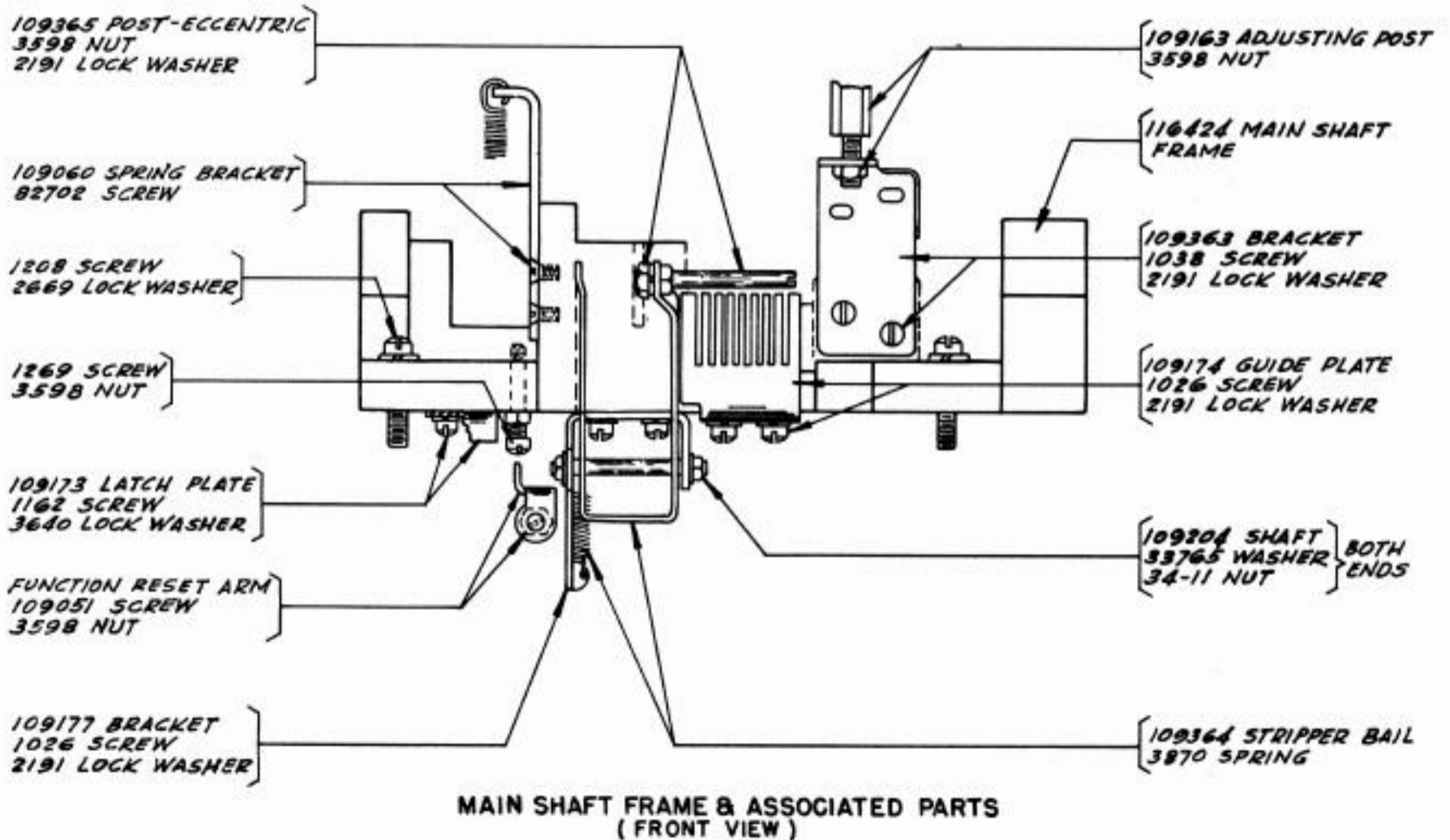
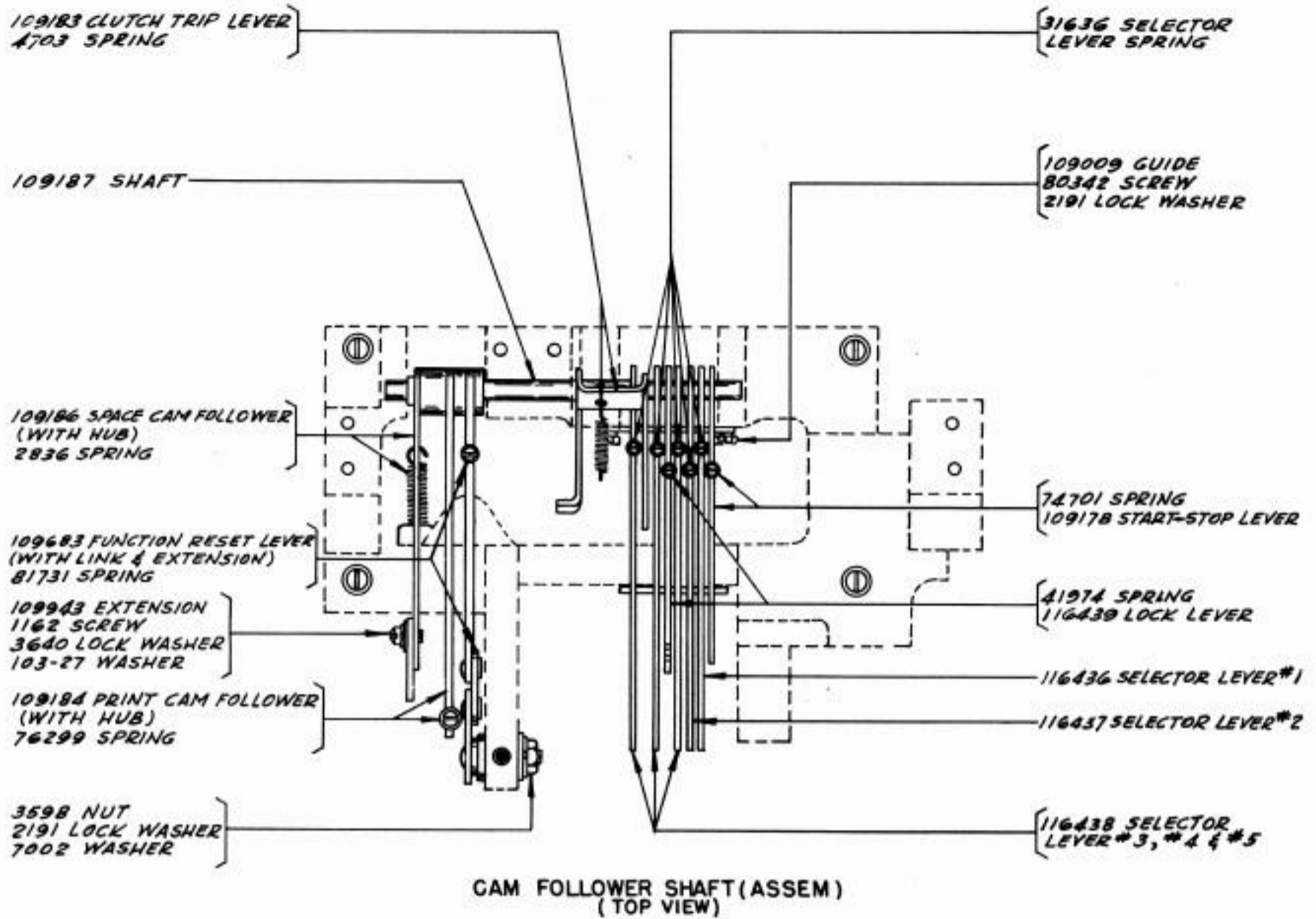


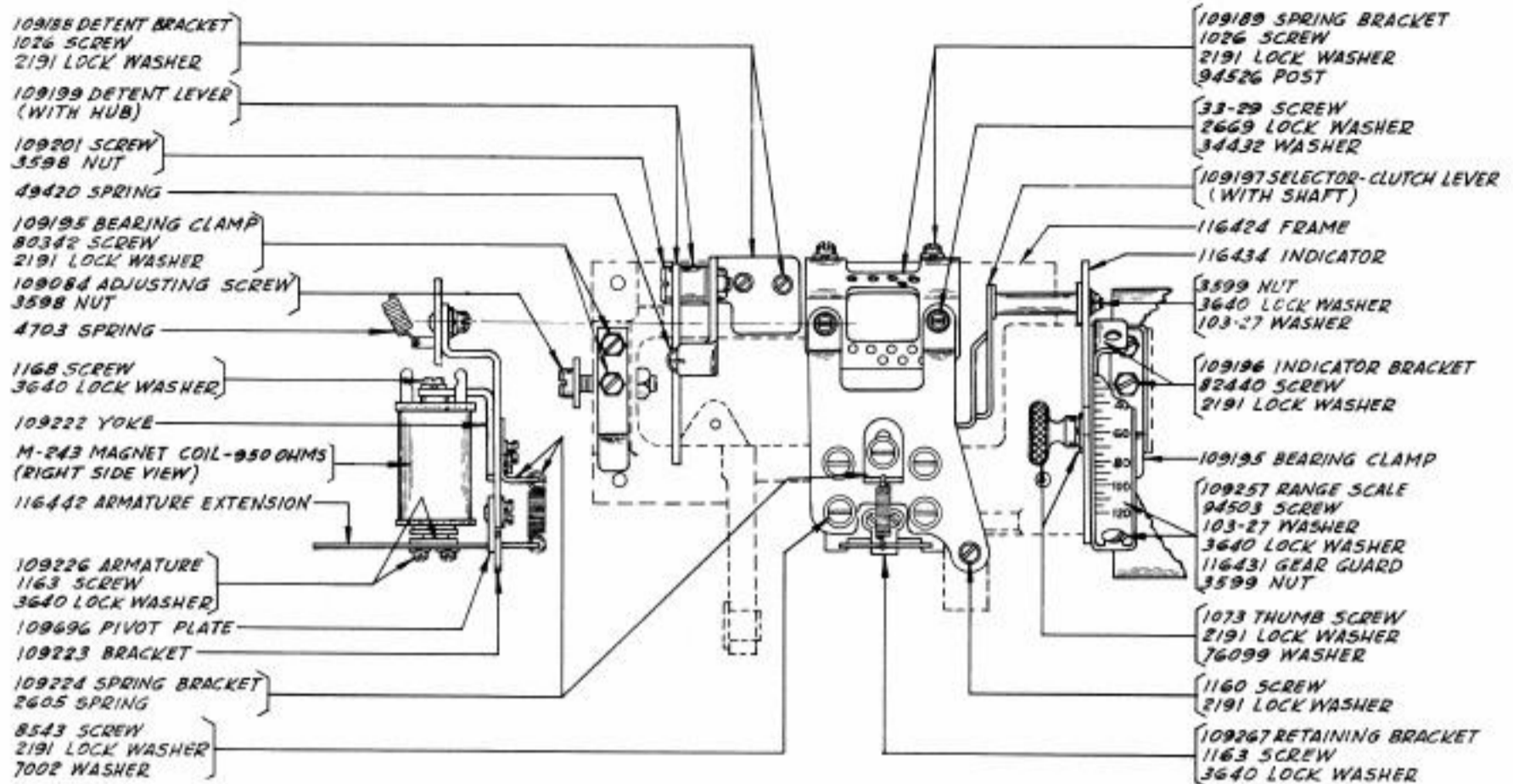
SPACING MECHANISM  
( REAR VIEW )



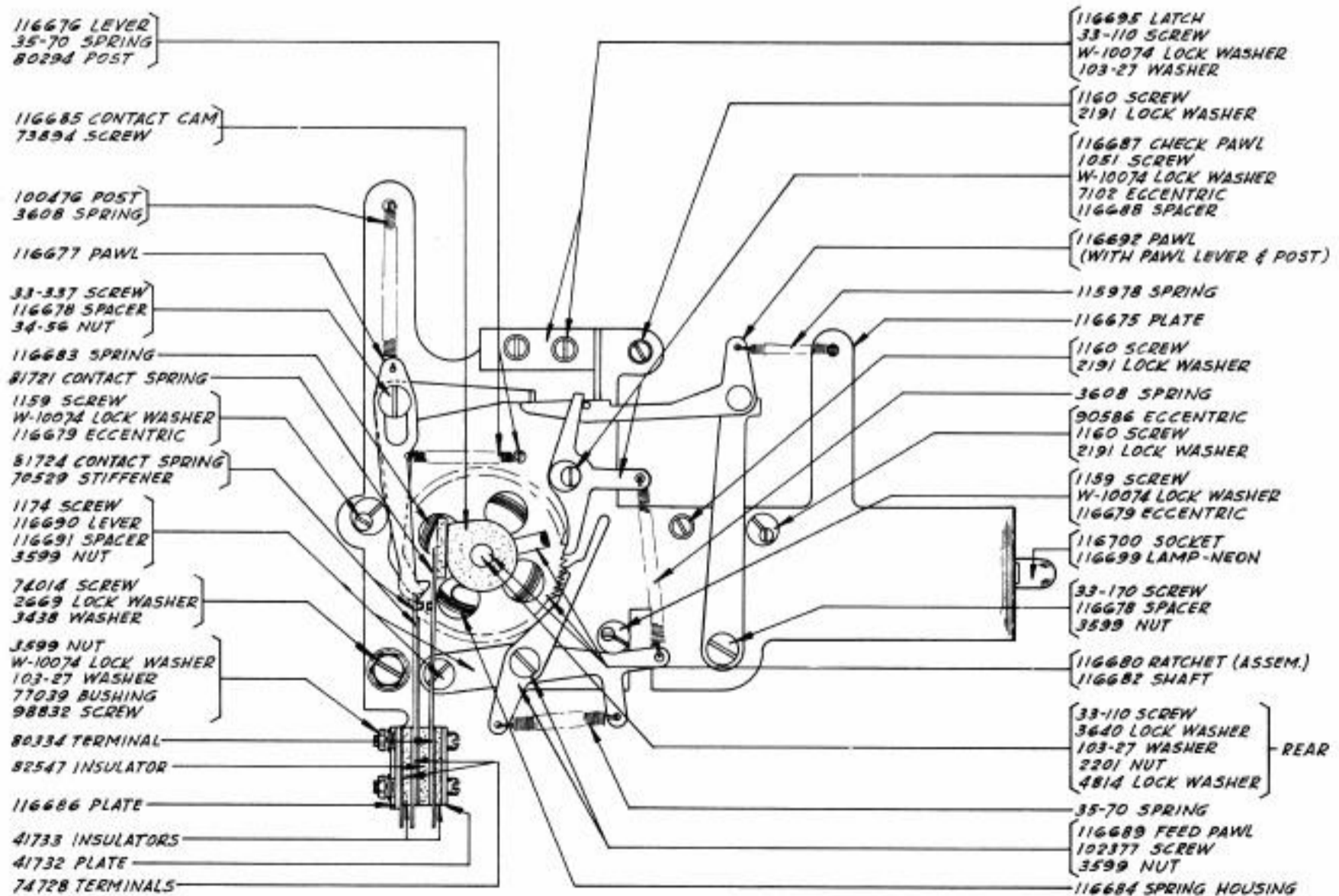
SPACING MECHANISM  
( LEFT SIDE VIEW )





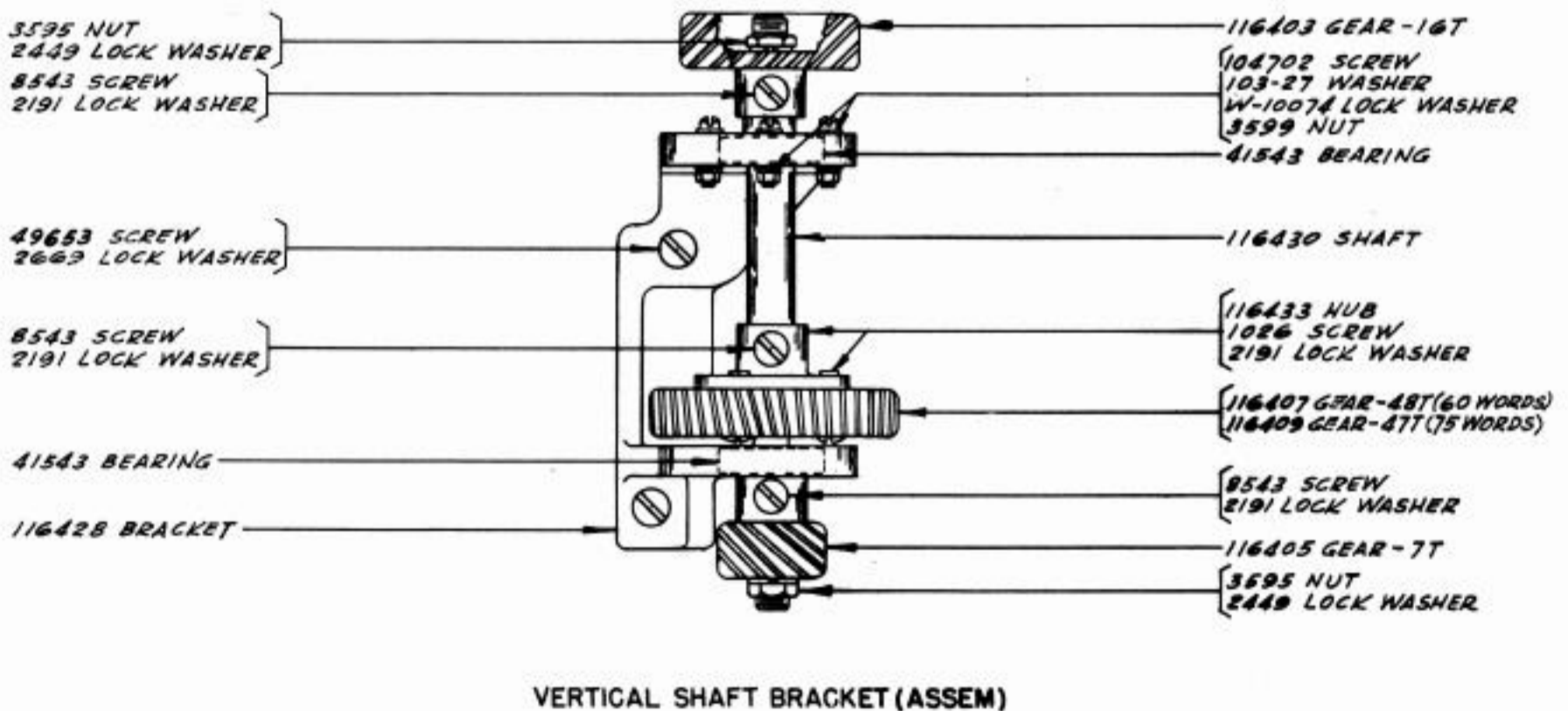
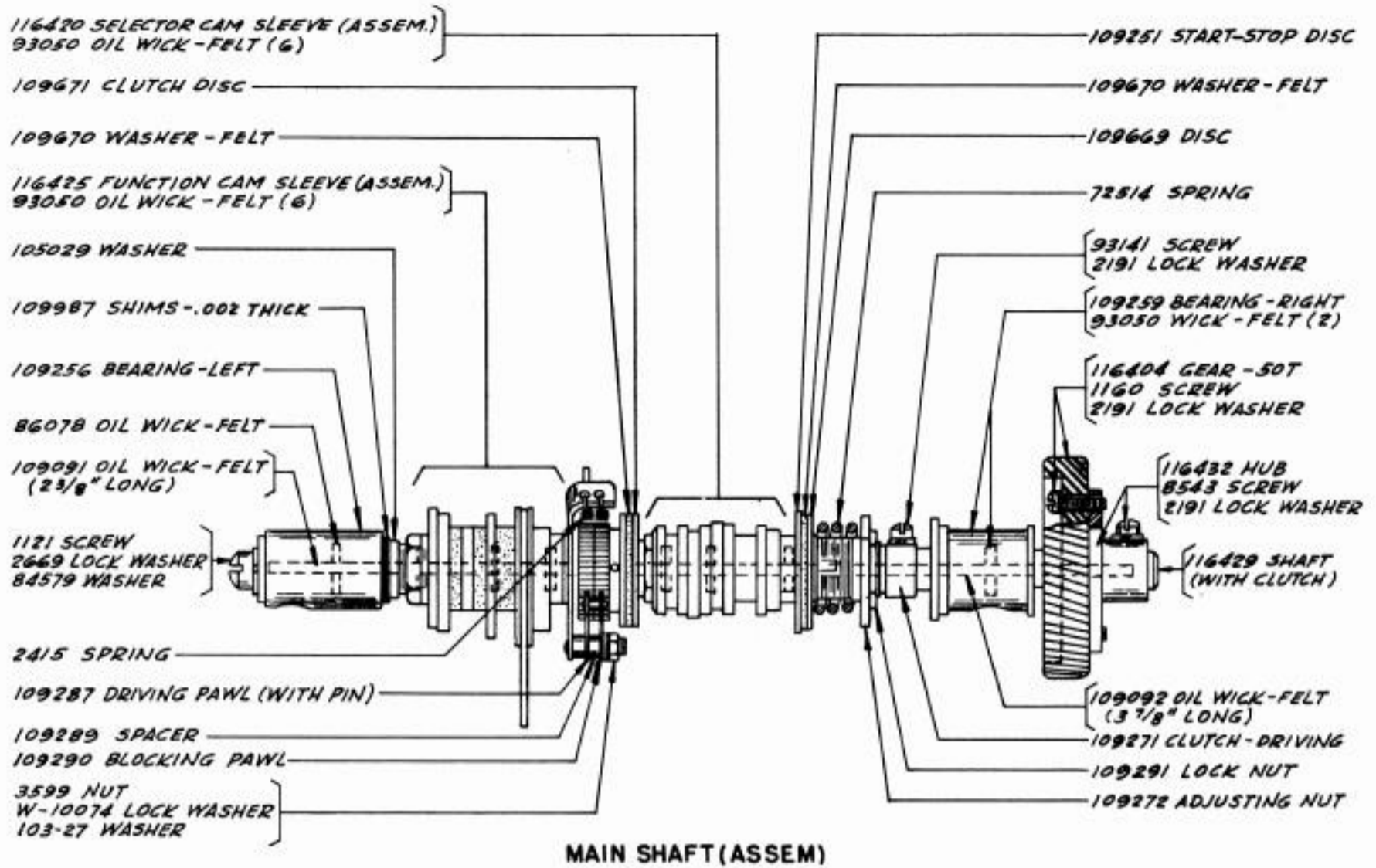


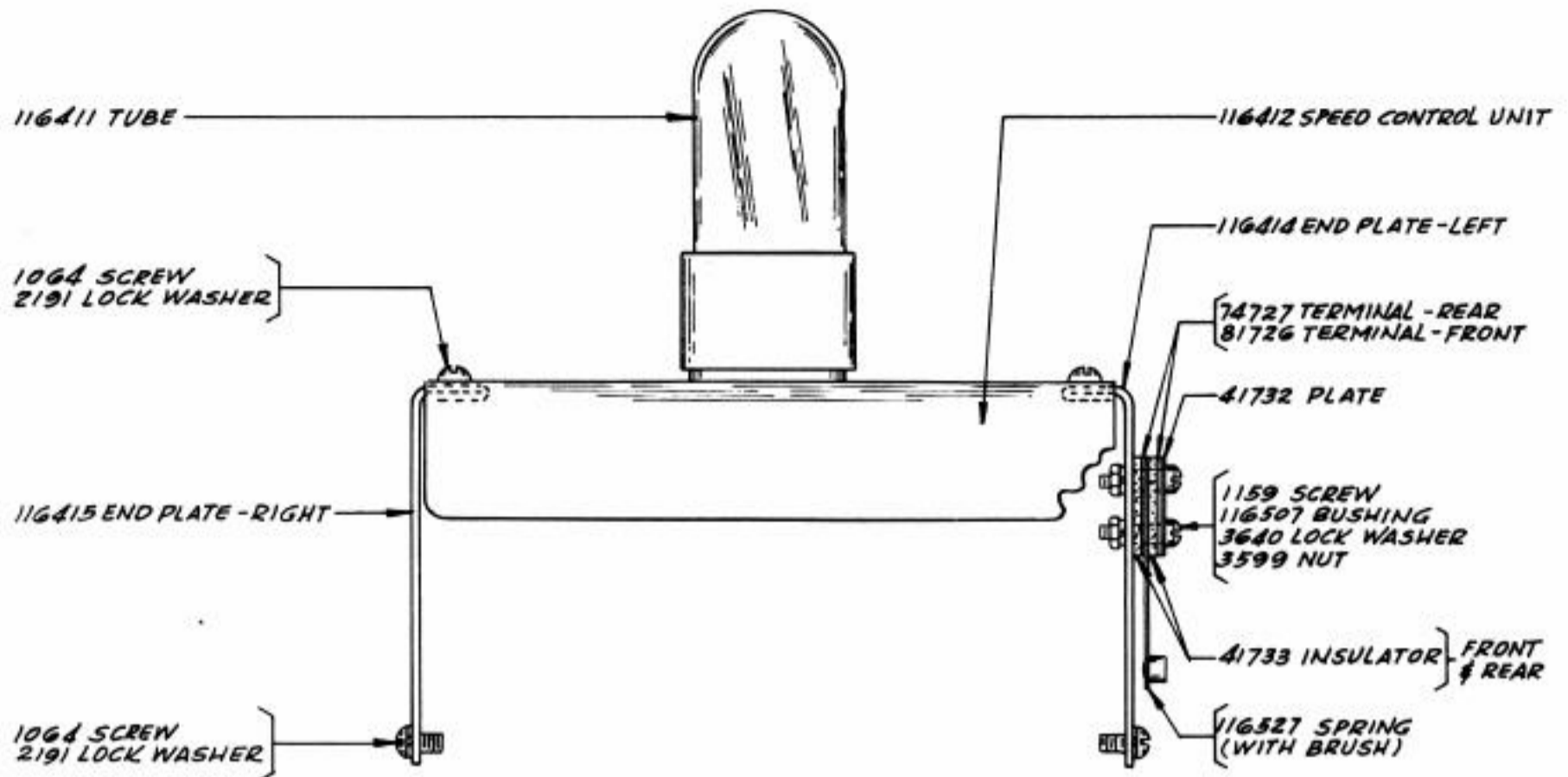
PARTS ON MAIN SHAFT FRAME  
( TOP VIEW )



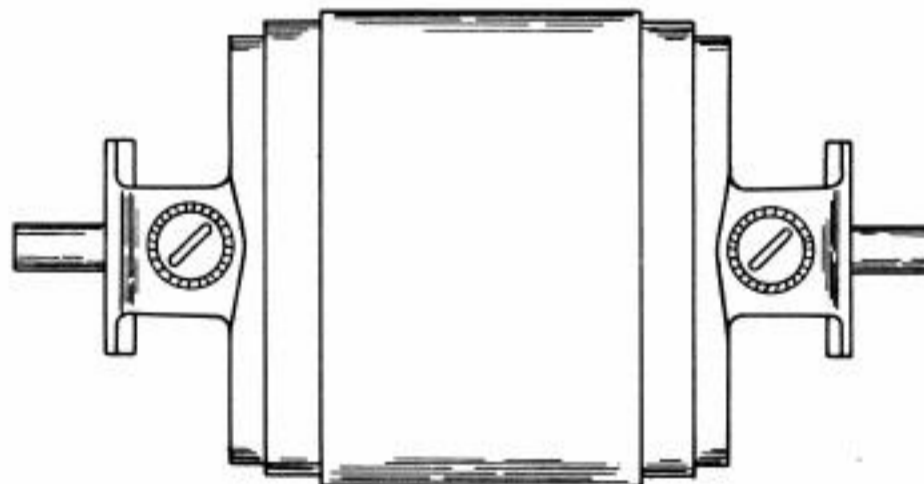
END-OF-LINE INDICATOR (ASSEM)  
( FRONT VIEW )



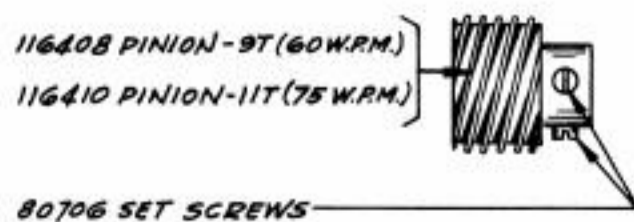




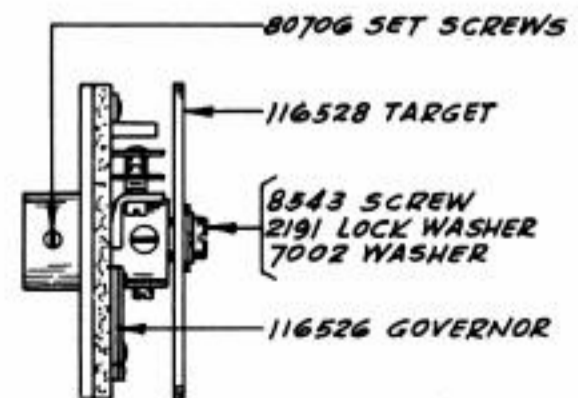
SPEED CONTROL & GOVERNOR BRUSH PARTS  
(REAR VIEW)



116400 DYNAMOTOR - (26.5 VOLT D.C.)  
(TOP VIEW)

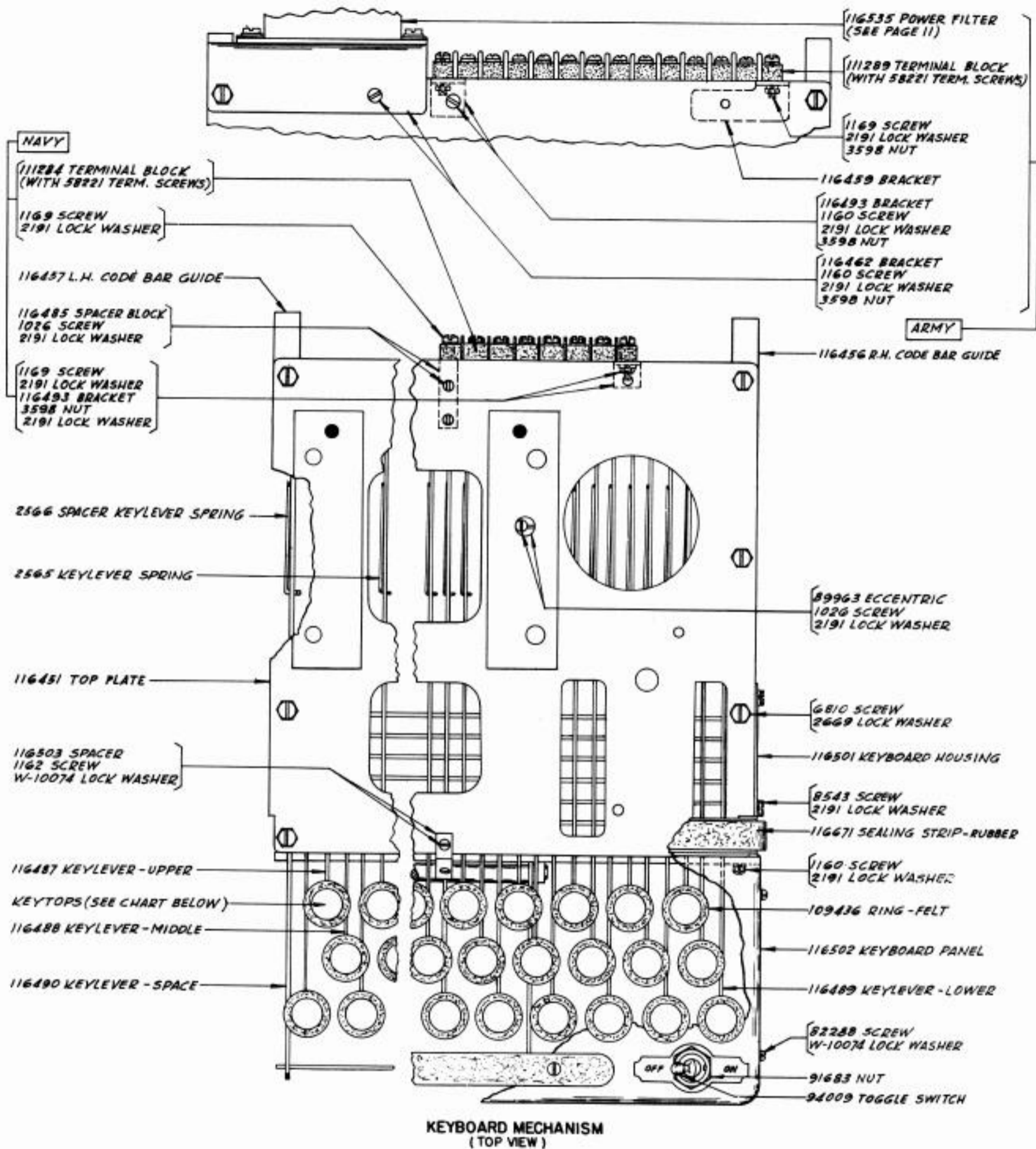


PINION (MOTOR)



GOVERNOR (ASSEM)

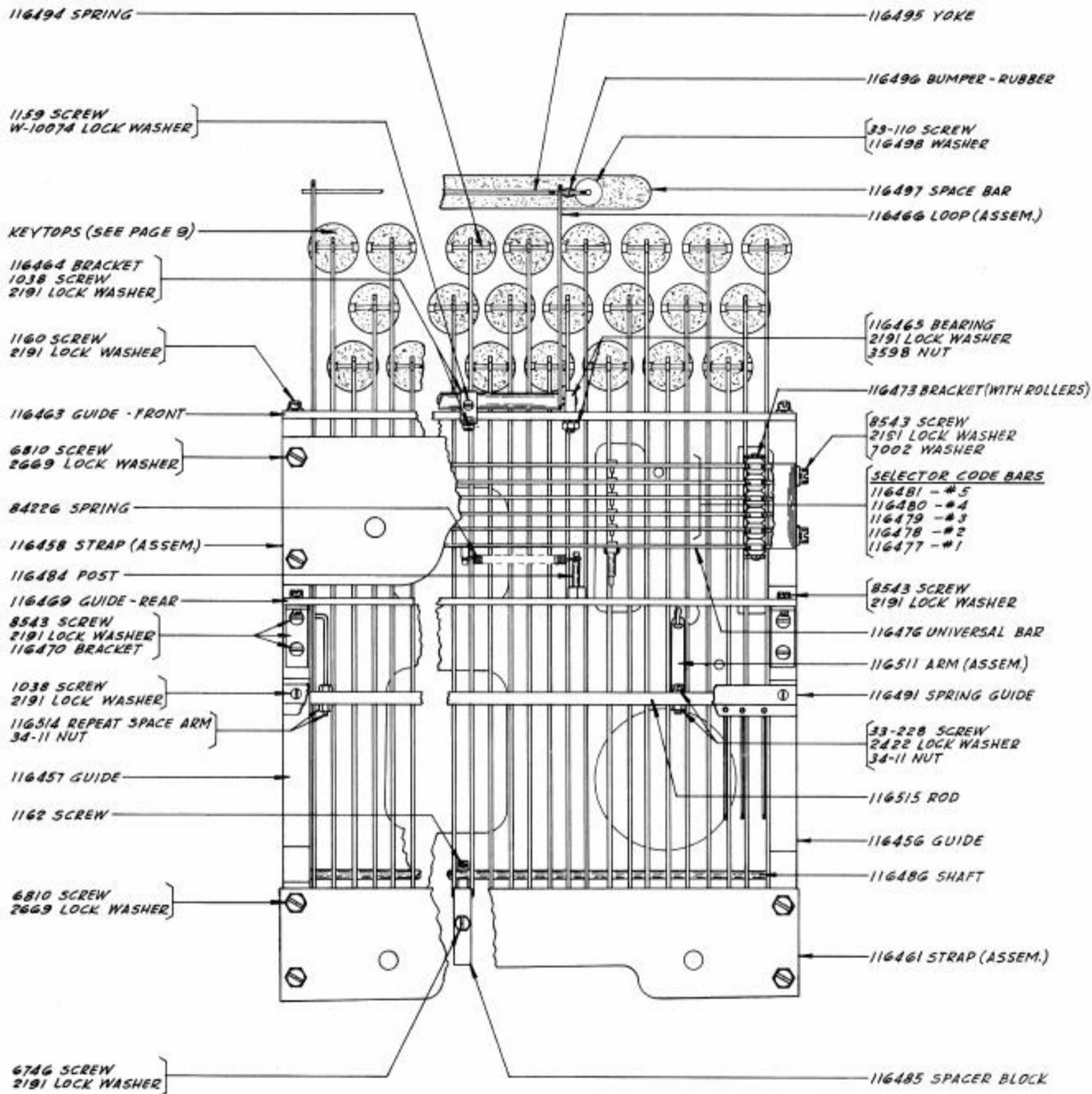




116540 SET OF KEYP TOPS											
CHARACTER	A -	B ?	C :	D \$	E 3	F !	G &	H	I B	J 7	K (
PART NO.	117335	117350	117348	117337	117327	117338	117339	116541	117332	116542	117342
CHARACTER	L )	M .	N ,	O 9	P 0	Q 1	R 4	S *	T 5	U 7	V 3
PART NO.	117343	117352	116543	117333	117334	117325	117328	117336	117329	117331	117349
CHARACTER	W 2	X /	Y 6	Z "	FIGS.	LTRS.	LINE FEED	CAR RET	BLANK		
PART NO.	117326	117347	117330	117346	117345	117353	117354	117344	117385		

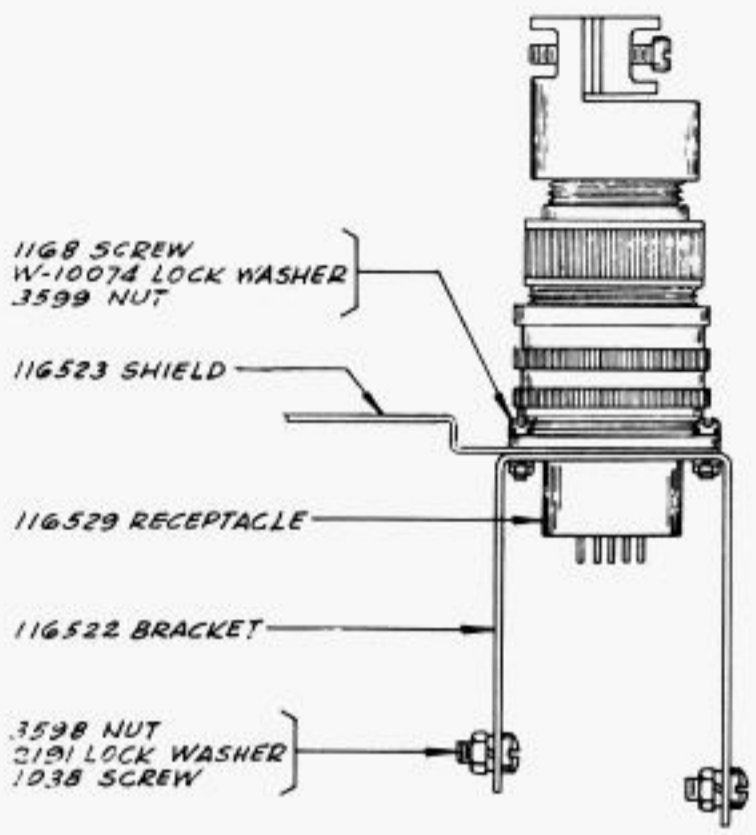
ALPHABETICAL INDEX

DESCRIPTION	PAGE NO.	DESCRIPTION	PAGE NO.
Base - - - - -	13	Power Filter - - - - -	11
Cam Follower Shaft - - - - -	5	Print Cam Follower - - - - -	5
Cam Sleeve - Function - - - - -	7	Print Hammer - - - - -	1
Cam Sleeve - Selector - - - - -	7	Print Suppressor Lever - - - - -	3
Cam Sleeve - Transmitting - - - - -	12	Push Bars - - - - -	3
Centralizer Bail - - - - -	3	Range Scale - - - - -	6
Choke Coil - - - - -	11	Receptacle - Circuit Connector - - - - -	11
Circuit Connector - - - - -	11	Resistor - - - - -	11
Clutch Release Lever - - - - -	12	Ribbon Feed Mechanism - - - - -	2
Clutch Trip Lever - - - - -	5	Ribbon Spool - - - - -	2
Code Discs - - - - -	1	Selector Cam Sleeve - - - - -	7
Condenser - - - - -	11	Selector Code Bars - - - - -	10
Copyholder - - - - -	13	Selector Levers - - - - -	5
Cover - - - - -	13	Signal Lamp - - - - -	11
End-of-Line Indicator - - - - -	6	Space Bar - - - - -	10
Filters - - - - -	11	Space Cam Follower - - - - -	5
Front Plate - - - - -	1,3	Space Suppressor Lever - - - - -	3
Function Bars - - - - -	1	Spacing Mechanism - - - - -	4
Function Cam Sleeve - - - - -	7	Speed Control - - - - -	8
Gears - - - - -	7,12	Switch - Toggle - - - - -	9
Governor - Motor - - - - -	8	Tape Chute - - - - -	1,2
Keyboard Mechanism (Bottom View) - - - - -	10	Tape Feed Shaft - - - - -	2,3
Keyboard Mechanism (Top View) - - - - -	9	Tape Reel - - - - -	13
Keylevers - - - - -	9	Terminal Block - - - - -	9
Keytops - - - - -	9	Toggle Switch - - - - -	9
Lamps - - - - -	6,11	Transmitting Cam Sleeve - - - - -	12
Location Levers - - - - -	3	Transmitting Clutch - - - - -	12
Magnet Coil - - - - -	6	Transmitting Contact Filter - - - - -	11
Main Shaft - - - - -	7	Transmitting Mechanism - - - - -	12
Main Shaft Frame - - - - -	5,6	Type Sector - - - - -	2
Motor - - - - -	8	Type Sector Centralizer - - - - -	2
Motor - Governor - - - - -	8	Type Sector Shaft - - - - -	3
Numerical Index - - - - -	14	Typing Unit Frame - - - - -	1
Pinion - - - - -	8	Vertical Shaft - - - - -	7

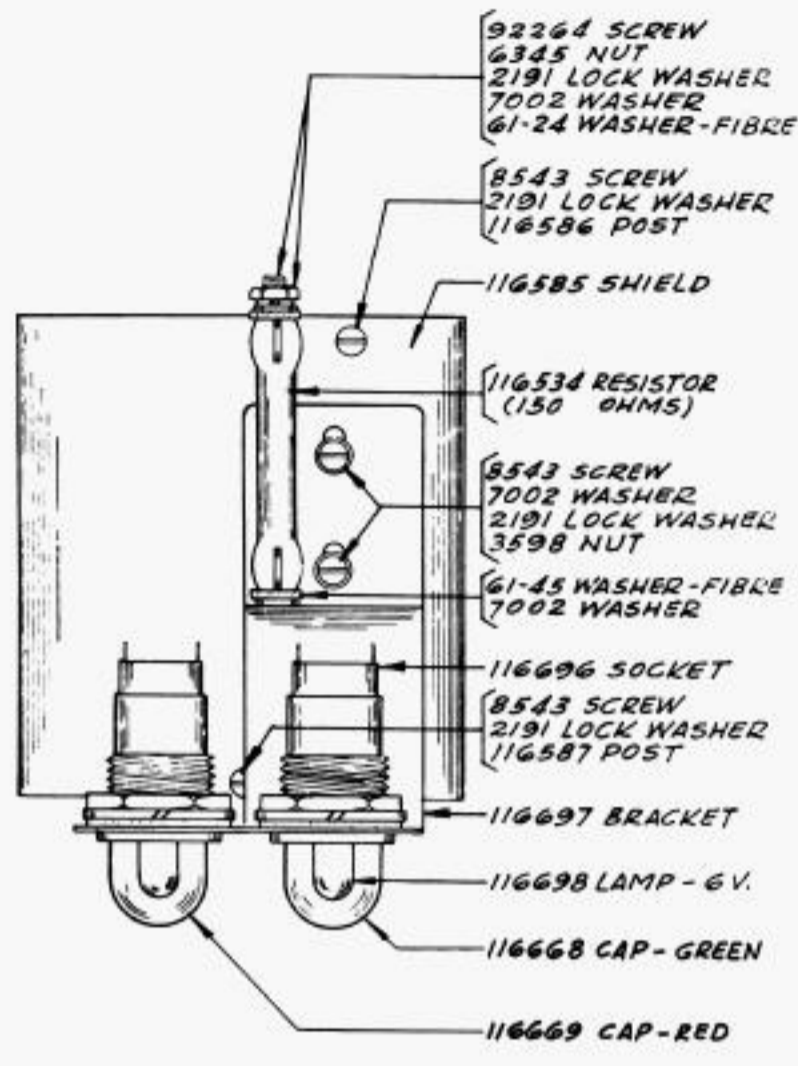


KEYBOARD MECHANISM  
( BOTTOM VIEW )



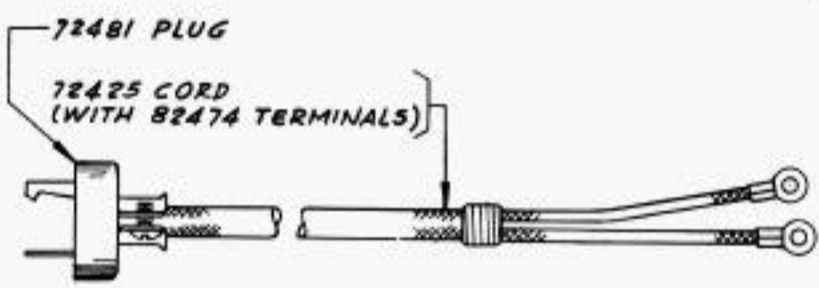


CIRCUIT CONNECTOR

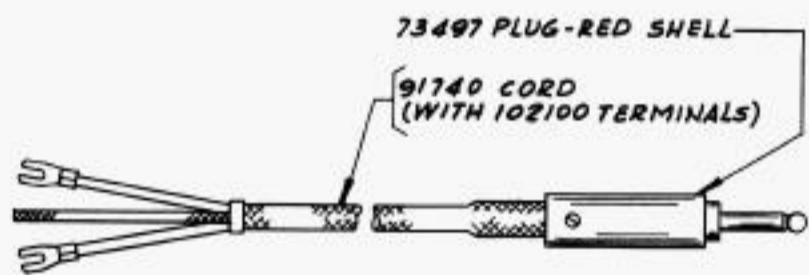


SIGNAL LAMP (ASSEM.)

NAVY

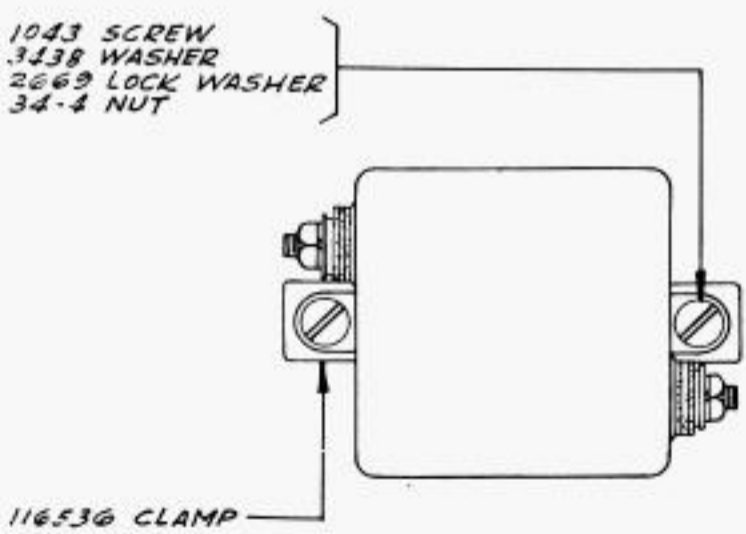


72999 POWER CORD - WITH PLUG

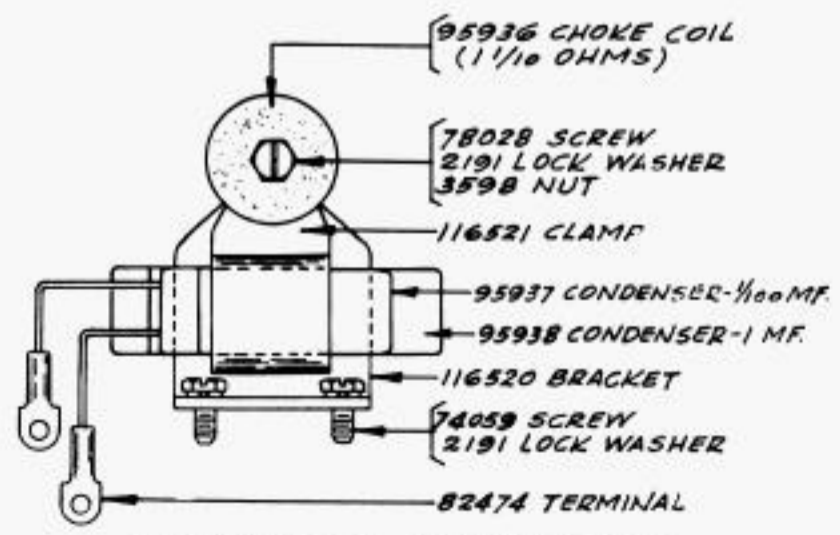


89472 LINE CORD - WITH PLUG

ARMY

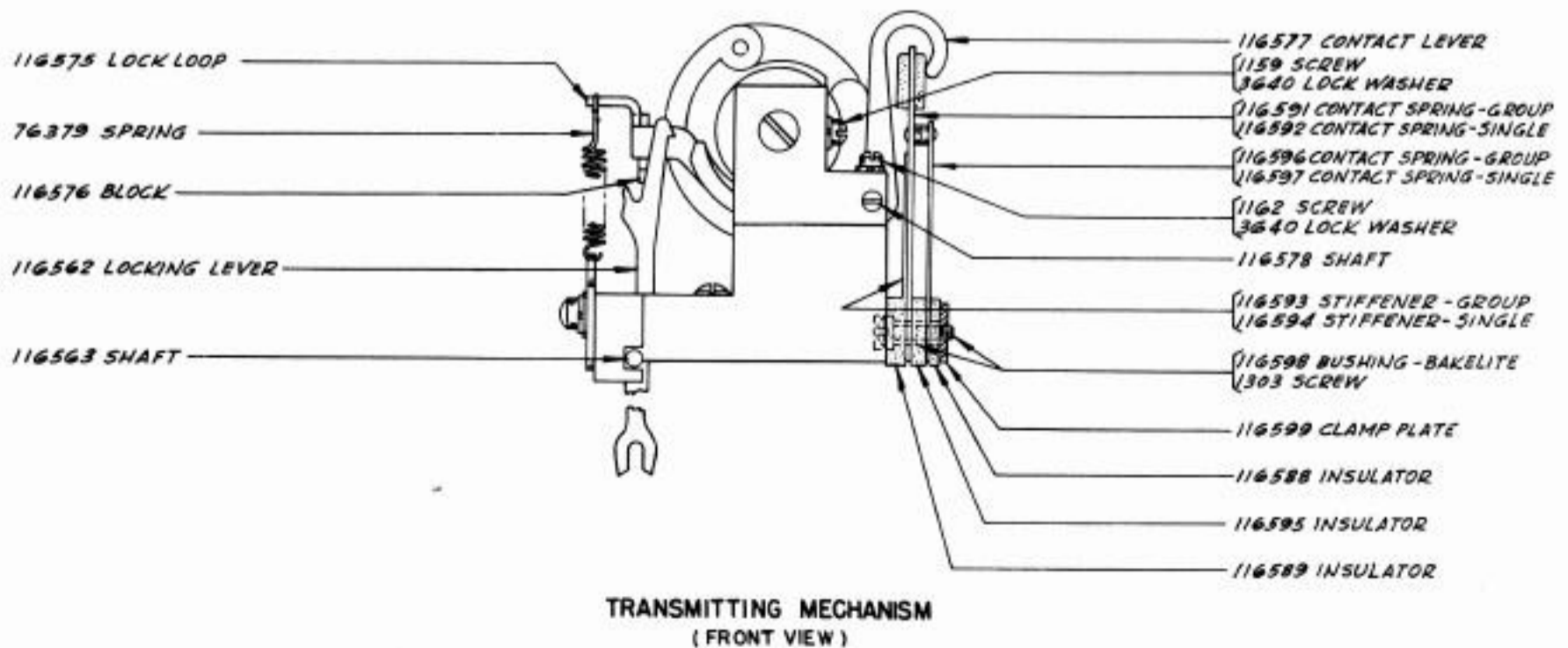
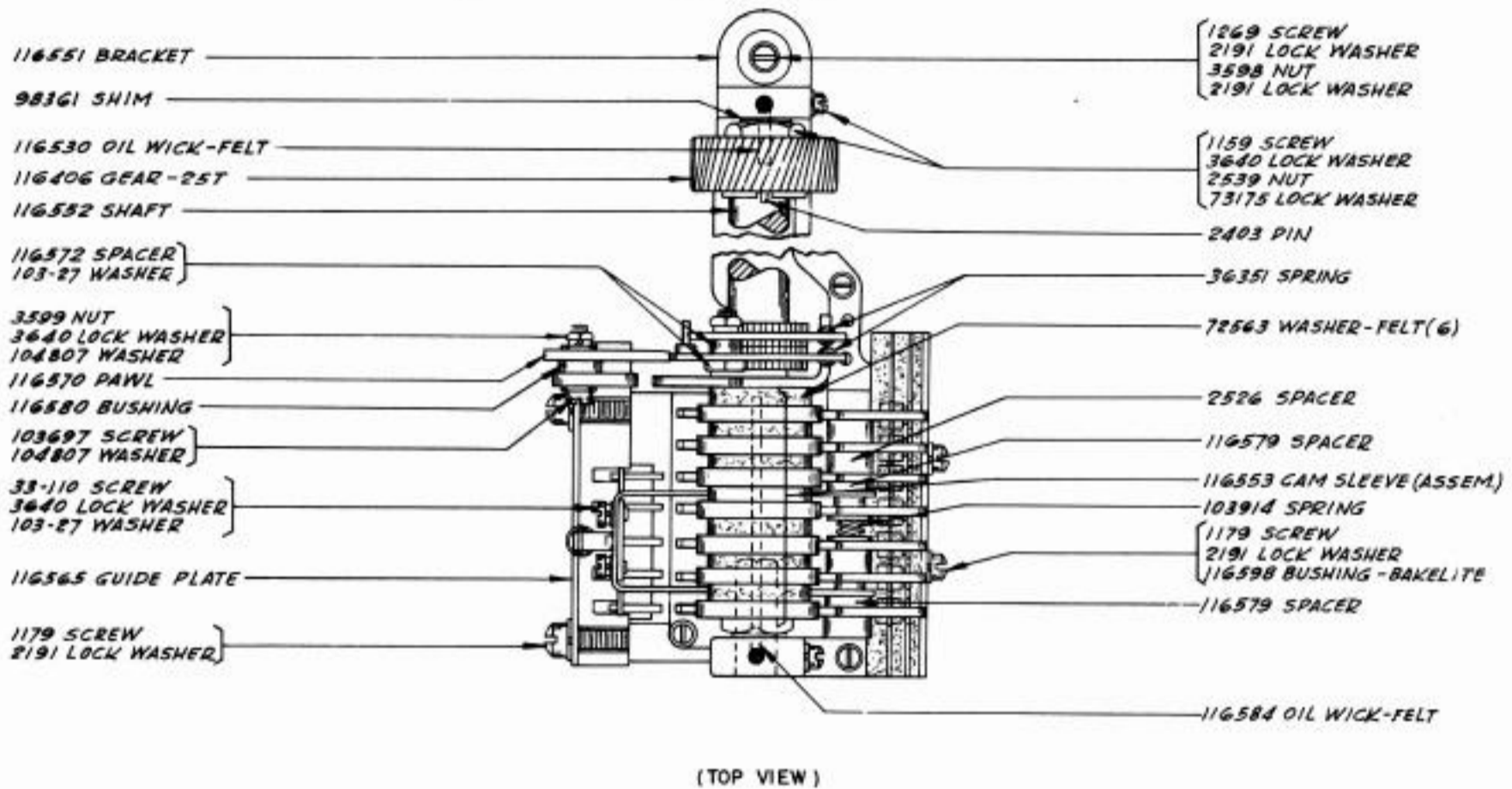
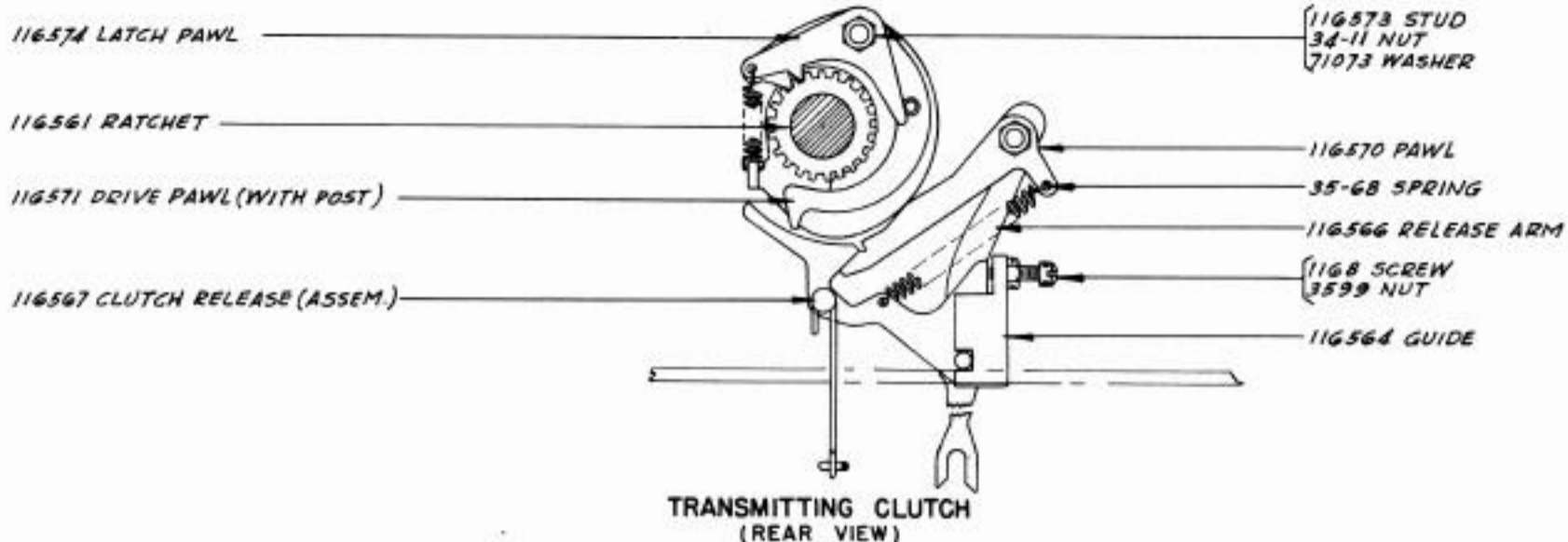


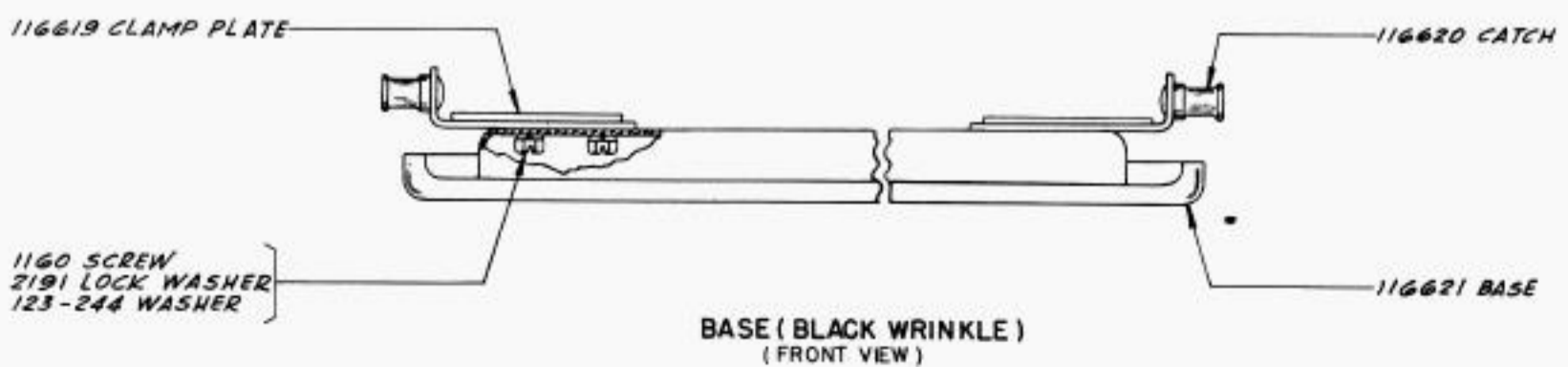
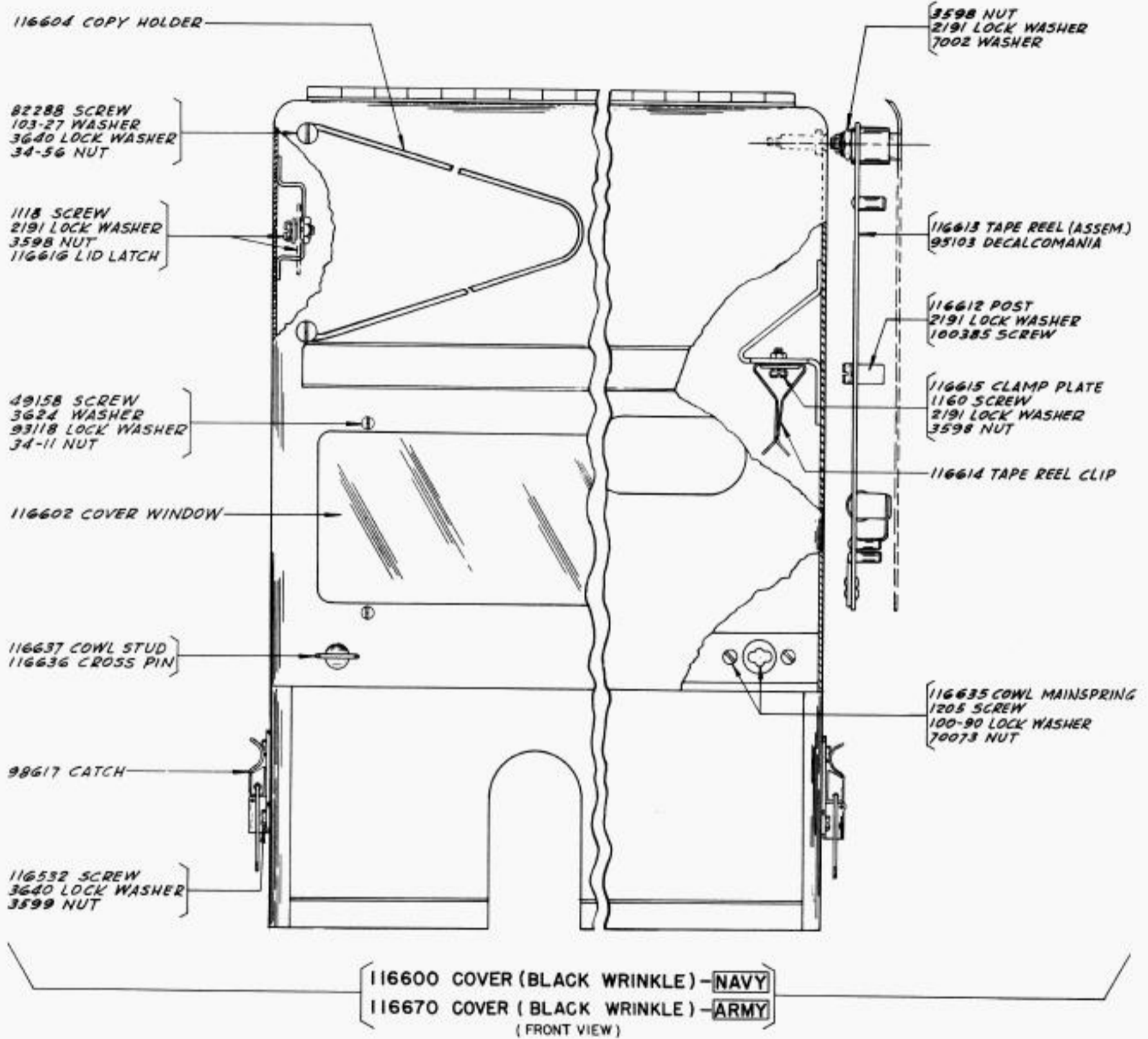
POWER FILTER  
(USED WITH 26.5 VOLT DYNAMOTOR)



TRANSMITTING CONTACT FILTER

(B-1140)







NUMERICAL INDEX

M-243	Magnet Coil-950 Ohms,6	7002	Washer,1,2,3,4,5,6,10, 11,13	90586	Eccentric,6
W-10074	Lock Washer,2,3,6,7,9,10,11	7036	Collar,4	90615	Spring,2
33-29	Screw (6-40 Shoulder),6	7102	Eccentric,6	91683	Nut (15/32-32 Hex.),9
33-86	Screw (4-40x1/8),1,3	7603	Spring,1	91740	Line Cord (with 102100 Terminals),11
33-110	Screw (4-40x3/16),6,10,12	7835	Ribbon Spool (With Black Ribbon),2	92264	Screw (6-32x2-1/4),11
33-170	Screw (4-40 Shoulder),6	8330	Washer,1	92626	Stud,4
33-228	Screw (2-56x3/8),10	8543	Screw (6-40x1/4),1,2,6, 7,8,10,11	93050	Oil Wick-Felt,7
33-337	Screw (4-40 Shoulder),6	31636	Selector Lever Spring,5	93118	Lock Washer,13
34-1	Nut (1/4-32 Hex.),2	33765	Washer,5	93141	Screw (6-40x7/32),7
34-4	Nut (10-32 Hex.),4	34432	Washer,1,6	93191	Screw (4-40x5/16),2
34-11	Nut (2-56 Hex.),5,10,12,13	36351	Spring,12	93356	Washer-Felt,3
34-56	Nut (4-40 Hex.),3,6,13	41543	Bearing,7	94009	Switch,9
35-68	Spring,12	41732	Plate,6,8	94503	Screw (4-40x5/16),6
35-70	Spring,3,4,6	41733	Insulator,6,8	94526	Post,6
35-85	Spring,4	41974	Spring,3,5	95103	Decalcomania,13
61-24	Washer-Fibre,11	42823	Washer,3	95936	Choke Coil (1-1/10 Ohms),11
61-45	Washer-Fibre,11	49158	Screw (2-56x1/4),13	95937	Condenser-1/100 M.F.,11
100-90	Lock Washer,13	49420	Spring,6	95938	Condenser-1 M.F.,11
103-27	Washer,2,3,5,6,7,12,13	49653	Screw (10-32x13/16),7	98361	Shim,12
123-244	Washer,13	55090	Spring,3	98617	Catch,13
1026	Screw (6-40x3/8),1,5,6,7,9	58221	Screw (5-40x3/16),9	98832	Screw (4-40x11/16),6
1038	Screw (6-40x9/32),10,11	70073	Nut (3-48 Hex.),13	100385	Screw (6-40x3/8),13
1043	Screw (10-32x5/16),11	70529	Stiffener,6	100476	Post,6
1047	Screw (6-40 Shoulder),1	71681	Ribbon Spool (Empty),2	102052	Screw (4-40x9/32),2
1051	Screw (4-40x1/2),6	71703	Washer,12	102100	Terminal,11
1064	Screw (6-32x1/4),8	71858	Washer,1	102377	Screw (4-40 Shoulder),6
1073	Screw (6-40 Thumb),6	72425	Power Cord (with 82474 Terminals),11	103697	Screw (4-40x7/16),12
1086	Screw (4-40x3/8 Set),3	72450	Spring,1	104448	Post,1
1118	Screw (6-40 Shoulder),4,13	72481	Plug,11	104702	Screw (4-40x7/16),7
1121	Screw (10-32x3/8),7	72514	Spring,7	104807	Washer,12
1159	Screw (4-40x3/8),1,2,6,8, 10,12	72563	Washer-Felt,12	105029	Washer,7
1160	Screw (6-40x5/16),1,3,6,7, 9,10,13	72999	Power Cord (with Plug),11	109003	Bearing,2
1161	Screw (6-40x1/4),1,2,4	73175	Lock Washer,4,12	109004	Code Disc-Front,1
1162	Screw (4-40x1/4),2,3,5,9, 10,12	73276	Screw (6-40 Shoulder),4	109006	Code Disc-Center,1
1163	Screw (4-40x3/16),2,3,6	73497	Plug-Red Shell,11	109007	Rack Pawl Slide,2
1168	Screw (4-40x5/16),3,6,11,12	73894	Screw (6-40x1/8 Set),6	109008	Code Disc-Rear,1
1169	Screw (6-40x7/16),3	74014	Screw (10-32x3/4),6	109009	Guide,5
1174	Screw (4-40 Shoulder),6	74059	Screw (6-40x7/32),11	109010	Shift Plate (with spring posts),1
1176	Screw (6-40x3/16),2,3,4	74547	Collar,1	109011	Spacer,2
1179	Screw (6-40x5/8),12	74701	Spring,5	109012	Shoulder Bushing,1
1205	Screw (3-48x19/64),13	74727	Terminal-Rear,8	109013	Code Disc Spacer,1
1208	Screw (10-32x5/8),1,5	74728	Terminal,6	109017	Post-Right and Left,2
1226	Screw (6-40x3/4),1	76099	Washer,6	109019	Shaft,3
1269	Screw (6-40x1/2),5,12	76299	Spring,5	109021	Push Bar No. 1,3
1303	Screw (6-40x13/32),12	76379	Spring,12	109022	Spacer-Small,3
2034	Washer,2	76412	Lock Washer,2	109023	Push Bar No. 2,3
2191	Lock Washer, 1 to 13	76461	Spacer,4	109025	Push Bar No. 3,3
2201	Nut (5/16-32 Hex.),2,6	76800	Spring,1	109026	Spacer-Large,3
2403	Pin,12	77039	Bushing,6	109027	Push Bar No. 4,3
2415	Spring,7	78028	Screw (6-40x15/16),11	109029	Push Bar No. 5,3
2422	Lock Washer,10	80294	Post,6	109031	Post,3
2449	Lock Washer,1,7	80334	Terminal,6	109032	Location Levers,3
2526	Spacer,12	80342	Screw (6-40x23/64),5,6	109033	Spacer,3
2539	Nut (3/8-32 Hex.),4,12	80444	Screw (6-40x1/4),3	109034	Screw (4-40 Shoulder),2
2565	Keylever Spring,9	80706	Screw (6-40x3/16),1,8	109035	Common Location Lever,3
2566	Spacer Keylever Spring,9	81724	Contact Spring,6	109037	Guide,3
2605	Spring,6	81726	Terminal-Front,8	109038	Post-Right,3
2669	Lock Washer,1,5,6,7,9,10,11	81731	Spring,2,5	109039	Post-Left,3
2836	Spring,5	82249	Washer,3	109041	Shaft,3
3298	Eccentric,1	82288	Screw (4-40x1/4),9,13	109042	Reset Bail,3
3438	Washer,6,11	82392	Shim,2	109045	Centralizer Bail (with Pins) 3
3595	Nut (1/4-32 Hex.),2,7	82474	Terminal,11	109051	Screw (6-40x11/16 Adjusting) 5
3598	Nut (6-40 Hex.),1,2,3,4,5,6, 9,10,11,13	82547	Insulator,6	109052	Bracket,3
3599	Nut (4-40 Hex.),2,3,4,6,7 11,12,13	82567	Screw (6-40 Shoulder),2	109053	Bracket,4
3606	Nut (6-40 Hex.),1,4	82702	Screw (6-40x9/32),5	109054	Bracket,3
3608	Spring,6	82860	Spring,1	109055	Bracket,4
3624	Washer,13	82999	Spring,3	109056	Print Suppressor Lever (with Latch),3
3640	Lock Washer,1,2,3,4,5,6,8, 12,13	84226	Spring,10	109060	Spring Bracket,5
3870	Spring,5	84579	Washer,7	109062	Spacer,3
4703	Spring,5,6	85762	Washer,2	109063	Space Suppressor Lever (with Latch),3
4708	Spring,4	85976	Washer,4	109065	Guide Bracket,3
4730	Spring,4	86078	Oil Wick-Felt,7	109066	Post,3
4814	Lock Washer,6	86742	Nut (4-40 Hex.),3	109077	Shift Plate Stop Bracket,1
6345	Nut (6-32 Hex.),11	86772	Screw (6-40 Eccentric),1	109078	Shift Plate Lock Lever,1
6746	Screw (6-40x5/16),2,10	86776	Spring Post,4	109080	Detent Spring,1
6810	Screw (10-32x3/8),9,10	87993	Screw (6-40x5/32),3	109083	Feed Roll Bearing,4

NUMERICAL INDEX

109084	Screw (6-40x9/16 Adjusting),6	109235	Insert,1	116441	Function Bar (with Extension),1
109085	Link,3	109251	Start-Stop Disc,7	116442	Armature Extension,6
109086	Bracket (with 109085 Links),3	109256	Bearing-Left,7	116443	Post,1
109087	Shaft Extension,3	109257	Range Scale,6	116444	Tape Chute,1
109088	Bracket (with 109085 Link),3	109259	Bearing-Right,7	116447	Tape Guide Roller,2
109089	Bracket,1,3	109267	Retaining Bracket,6	116448	Tape Guide Post,2
109091	Oil Wick-Felt,7	109271	Clutch-Driving,7	116451	Top Plate,9
109092	Oil Wick-Felt,7	109272	Nut (7/16-32 Special),7	116456	R.H. Code Bar Guide,9,10
109097	Detent Lever (with Roller),4	109287	Driving Pawl (with Pin) 7	116457	L.H. Code Bar Guide,9,10
109101	Tape Feed Pawl,4			116458	Strap (Assem.),10
109103	Bushing,4	109289	Spacer,7	116459	Bracket,9
109104	Stud,4	109290	Blocking Pawl,7	116461	Strap (Assem.),10
109105	Tape Pressure Roller,4	109291	Nut (7/16-32 Hex.),7	116462	Bracket,9
109110	Post,2	109297	Eccentric,3	116463	Guide-Front,10
109111	Tape Chute,2	109356	Spacer,1	116464	Bracket,10
109112	Ribbon Shield,2	109363	Bracket,5	116465	Bearing,10
109114	Post (with Pin),1	109364	Stripper Bail,5	116466	Loop (Assem.),10
109115	Bail,1	109365	Post-Eccentric,5	116469	Guide-Rear,10
109116	Function Bar,1	109436	Ring-Felt,9	116470	Bracket,10
109117	Bell Crank,2	109631	Spring,2	116473	Bracket (with Rollers),10
109119	Post-Right,2	109659	Post-Left,2	116476	Universal Bar,10
109120	Stop Arm (with Extension),2	109660	Post,1	116477	Selector Code Bars #1,10
109122	Plate-Rear,2	109662	Screw (6-40 Shoulder),1	116478	Selector Code Bars #2,10
109123	Rack Guide,2	109666	Hub,2	116479	Selector Code Bars #3,10
109124	Plate-Front,2	109669	Disc,7	116480	Selector Code Bars #4,10
109125	Type Wheel Arm,2	109670	Washer-Felt,7	116481	Selector Code Bars #5,10
109126	Rack Pawl (with Spring Post) 2	109671	Clutch Disc,7	116484	Post,10
109128	Rack,2	109674	Wearing Strip,3	116485	Spacer Block,10
109129	Post (Right and Left),2	109675	Spring,2	116486	Shaft,10
109130	Push Rod,2	109683	Function Reset Lever (with Link and Extension),5	116487	Keylever-Upper,9
109131	Retainer,2			116488	Keylever-Middle,9
109132	Spring,2	109696	Pivot Plate,6	116489	Keylever-Lower,9
109133	Ribbon Guide (with Hub),2	109943	Extension,5	116490	Keylever-Space,9
109135	Shaft,2,3	109945	Sleeve-Left,2	116491	Spring Guide,10
109136	Shift Cup,3	109946	Extension,2	116493	Bracket,9
109140	Mounting Plate,2	109987	Shim-.002 Thick,7	116494	Spring,10
109143	Bushing,2	109996	Shim-.005 Thick,3	116495	Yoke,10
109146	Reverse Lever (with Guide Posts),2	111284	Terminal Block (with 58221 Terminal Screw) 9	116496	Bumper-Rubber,10
109150	Check Pawl (with Spring Post),2	111289	Terminal Block (with 58221 Terminal Screws) 9	116497	Space Bar,10
109152	Screw (4-40 x 11/64),2			116498	Washer,10
109153	Slide-Outer,2	115978	Spring,3,6	116501	Keyboard Housing,9
109155	Slide-Inner,2	116400	Dynamotor-26.5 Volts D.C.,8	116502	Keyboard Panel,9
109156	Feed Pawl (with Spring Post),2			116503	Spacer,9
109157	Strap (with Posts),2	116403	Gear-16T,7	116507	Bushing,8
109160	Nut (4-40 Hex.),2	116404	Gear-50T,7	116511	Arm (Assem.),10
109161	Ratchet-Right (with Stud and Pin),2	116405	Gear-7T,7	116514	Repeat Space Arm,10
109163	Adjusting Post,5	116406	Gear-25T,12	116515	Rod,10
109164	Ratchet-Left (with Stud and Pin),2	116407	Gear-48T (60 W.P.M.),7	116520	Bracket,11
109165	Washer-Spring,2	116408	Pinion-9T (60 W.P.M.),8	116521	Clamp,11
109166	Detent,2	116409	Gear-47T (75 W.P.M.),7	116522	Bracket,11
109174	Guide Plate,5	116410	Pinion-11T (75 W.P.M.),8	116523	Shield,11
109177	Bracket,5	116411	Tube,8	116524	Tape Feed Shaft (with Ratchet),4
109178	Start-Stop Lever,5	116412	Speed Control Unit,8	116526	Governor,8
109183	Clutch Trip Lever,5	116414	End Plate-Left,8	116527	Spring (with Brush),8
109184	Print Cam Follower (with Hub),5	116415	End Plate-Right,8	116528	Target,8
109186	Space Cam Follower (with Hub),5	116419	Front Plate,1	116529	Receptacle,11
109187	Shaft,5	116420	Selector Cam Sleeve (Assem.),7	116530	Oil Wick-Felt,12
109188	Detent Bracket,6	116422	Push Bar-Extension,4	116532	Screw (4-40x1/4),13
109189	Spring Bracket,6	116424	Main Shaft Frame,5,6	116533	Screw (1/4-20x3/4),1
109195	Bearing Clamp,6	116425	Function Cam Sleeve (Assem.),7	116534	Resistor (150 Ohms),11
109196	Indicator Bracket,6			116535	Filter,11
109197	Selector-Clutch Lever (with Shaft),6	116426	Frame-Left (Black Wrinkle),1	116536	Clamp,11
109199	Detent Lever (with Hub),6	116427	Frame-Right (Black Wrinkle),1	116540	Set of Keytops,9
109201	Screw (6-40 Shoulder),6			116541	Keytop (H),9
109204	Shaft,5	116428	Bracket,7	116542	Keytop (J),9
109213	Print Bail,1	116429	Shaft (with Clutch),7	116543	Keytop (N),9
109214	Shaft,1	116430	Shaft,7	116551	Bracket,12
109215	Print Link (with Stud),1	116431	Gear Guard,6	116552	Shaft,12
109222	Yoke,6	116432	Hub,7	116561	Ratchet,12
109223	Bracket,6	116433	Hub,7	116562	Locking Lever,12
109224	Spring Bracket,6	116434	Indicator,6	116563	Shaft,12
109226	Armature,6	116435	Push Bar Guide,3	116564	Guide,12
109233	Print Hammer (with 109235 Insert),1	116436	Selector Lever No. 1,5	116565	Guide Plate,12
		116437	Selector Lever No. 2,5	116566	Release Arm,12
		116438	Selector Lever No. 3, No. 4, and No. 5,5	116567	Clutch Release (Assem.),12
				116570	Pawl,12
				116571	Drive Pawl (with Post),12
				116572	Spacer,12
				116573	Stud,12
				116574	Latch Pawl,12



NUMERICAL INDEX

116575	Lock Loop,12	116635	Cowl Mainspring,13	117325	<u>Keytops</u>
116576	Block,12	116636	Cross Pin,13	117326	(Q 1)
116577	Contact Lever,12	116637	Cowl Stud,13	117327	(W 2)
116578	Shaft,12	116668	Cap-Green,11	117328	(E 3)
116579	Spacer,12	116669	Cap-Red,11	117328	(R 4)
116580	Bushing,12	116670	Cover (Black Wrinkle),13	117329	(T 5)
116584	Oil Wick-Felt,12	116671	Sealing Strip-Rubber,9	117330	(Y 6)
116585	Shield,11	116672	Push Bar,4	117331	(U 7)
116586	Post,11	116675	Plate,6	117332	(I 8)
116587	Post,11	116676	Lever,6	117333	(O 9)
116588	Insulator,12	116677	Pawl,6	117334	(P 0)
116589	Insulator,12	116678	Spacer,6	117335	(A -)
116591	Contact Spring-Group,12	116679	Eccentric,6	117336	(S +)
116592	Contact Spring-Single,12	116680	Ratchet (Assem.),6	117337	(D \$)
116593	Stiffener-Group,12	116682	Shaft,6	117338	(F !)
116594	Stiffener-Single,12	116683	Spring,6	117339	(G &)
116595	Insulator,12	116684	Spring Housing,6		
116596	Contact Spring-Group,12	116685	Contact Cam,6		
116597	Contact Spring-Single,12	116686	Plate,6	117342	(K ( )
116598	Bushing-Bakelite,12	116687	Check Pawl,6	117343	(L )
116599	Clamp Plate,12	116688	Spacer,6	117344	(Car.Ret.)
116600	Cover (Black Wrinkle),13	116689	Feed Pawl,6	117345	(Figs.)
116602	Cover Window,13	116690	Lever,6	117346	(Z ")
116604	Copy Holder,13	116691	Spacer,6	117347	(X /)
116612	Post,13	116692	Pawl (with Pawl Lever and Post),6	117348	(C :)
116613	Tape Reel (Assem.),13			117349	(V ;)
116614	Tape Reel Clip,13	116695	Latch,6	117350	(B ?)
116615	Clamp Plate,13	116696	Socket,11		
116616	Lid Latch,13	116697	Bracket,11	117352	(M .)
116619	Clamp Plate,13	116698	Lamp-6 Volts,11	117353	(Ltrs.)
116620	Catch,13	116699	Lamp-Neon,6	117354	(Line Feed)
116621	Base,13	116700	Socket,6	117355	(Blank)
116628	Type Sector,2				

9