

CHANGES AND ADDITIONS  
IN BULLETIN NO. 1110, ISSUE 2, JANUARY, 1943

This correction sheet covers changes and additions to the TG-7-A and TG-7-B printer sets and the special parts applying to the TG-37-B printer sets.

The Following Changes Apply Only to the TG-7-A Printer Sets:

Page 15

A 2191 lock washer has been added to each of the two 74059 screws on the 99744 resistor.

The 75436 resistor (3000 ohms), illustrated at the top of the 99816 relay base, has been replaced by a 74614 resistor (2600 ohms).

The 3438 washers, listed with the 6810 screws at the top of the 99816 relay base, are no longer used.

Page 18

The power supply name plate, located on the front of the 103524 resistor cage, may be ordered as "103604 name plate" and is mounted by means of four 103782 drive screws.

The Following Changes Apply to the TG-7-A, TG-7-B and TG-37-B Printer Sets:

Page 13

The small cable clamp, located on the underside of the 103378 base, below the control switch, may be ordered as "8254 cable clamp" and is mounted by means of a 1176 screw, 2191 lock washer, and 7002 washer.

The 103288 fusatron (1.4 amp.) has been replaced by a 103286 fusatron (1.6 amp.)

The 5599 nuts, used with the 33-179 screws for mounting the 74425 receptacle, have been omitted.

Page 15

The 73175 lock washer, used with the 70892 nut for mounting the 70893 nipple of the lamp socket to the 74421 bracket, has been replaced by a 105912 lock washer.

Pages 17 and 22

The F-3 Filter Unit (assembly) listed at the foot of pages 17 and 22 should read "99250 motor - governor filter unit (assembly)."

Page 19

In order to refine the adjustment of the 7396 and 7397 brackets and the 9203 brackets (with rollers), 93737 shims (.004 thick) are now used with the 3458 shims (.015 thick).

Page 20

In order to refine the adjustment of the 7372 bearing bracket, 107112 shims (.002 thick) are now used with the 74891 shims (.004 thick).

Page 22

The 2846 washers, used with the 74567 screws, for mounting the motor, have been replaced by 76555 washers.

Page 25

The page number in the notation under the 80466 platen crank (assem.) should read "7" instead of "17".

A note reading "used on CH-62-A" should be added under the 103620 screw (with washer).

The Following Changes Apply to the TG-7-B and TG-37-B Printer Sets:

Page 18

The power supply name plate, located on the right side of the 103524 resistor cage, may be ordered as "105235 name plate" and is mounted by means of four 49158 screws and four 34-11 nuts.

The cable, for the resistors in the 103524 cage, may be ordered as "105526 cable - resistor."

Page 25

In order to improve the mounting arrangement of the typing unit for transportation purposes, the sub-base of the CH-62-B chest has been redesigned, employing locating blocks and the use of a clamping device instead of the No. 103620 screws and associated No. 103621 wrench. The parts embodied in the new mounting device are as follows:

107078	Channel Clamp - Short	2)	) Left Side
107080	Clamp Plate	2)	
107079	Channel Clamp - Long	1)	) Right Side
107081	Clamp Plate	1)	
107083	Bolt	3	
107082	Wing Nut	3	
107084	Lock Washer	3	



In order to hold the type bar carriage securely in a central position when being transported, spring hooks are provided to be hooked around the carriage roller mounting studs and the front carriage track supports. These spring hooks may be ordered as follows:

91239 Spring Hook - Left  
91240 Spring Hook - Right

To add a margin of safety to the CH-62-B chests furnished in the future, the 102510 lord mountings have been replaced by 107091 lord mountings which are of a higher impact rating and eliminate the use of the 103377 washer between the 2920 lock washer and the 103611 spacer. The 102510 lord mountings, however, may still be furnished on sub-bases with the new clamping device until the 107091 lord mountings are available.

The Following Changes Apply only to the TG-37-B Printer Sets

Except as hereinafter enumerated, all parts designated for use on TG-7-B in Bulletin No. 1110, are also used on TG-37-B printer sets, including the various cables which, however, are wired in accordance with wiring diagram No. W.D. 2217 for TG-37-B.

Page 6

The 81956 blocking bail has been replaced by a 105381 blocking bail.

The 74127 function lever #12, line feed, and the 74131 function lever #2, carriage return, have been replaced by 84928 function lever #12, line feed, and 84927 function lever #2, carriage return, which operate in the "letters" position only.

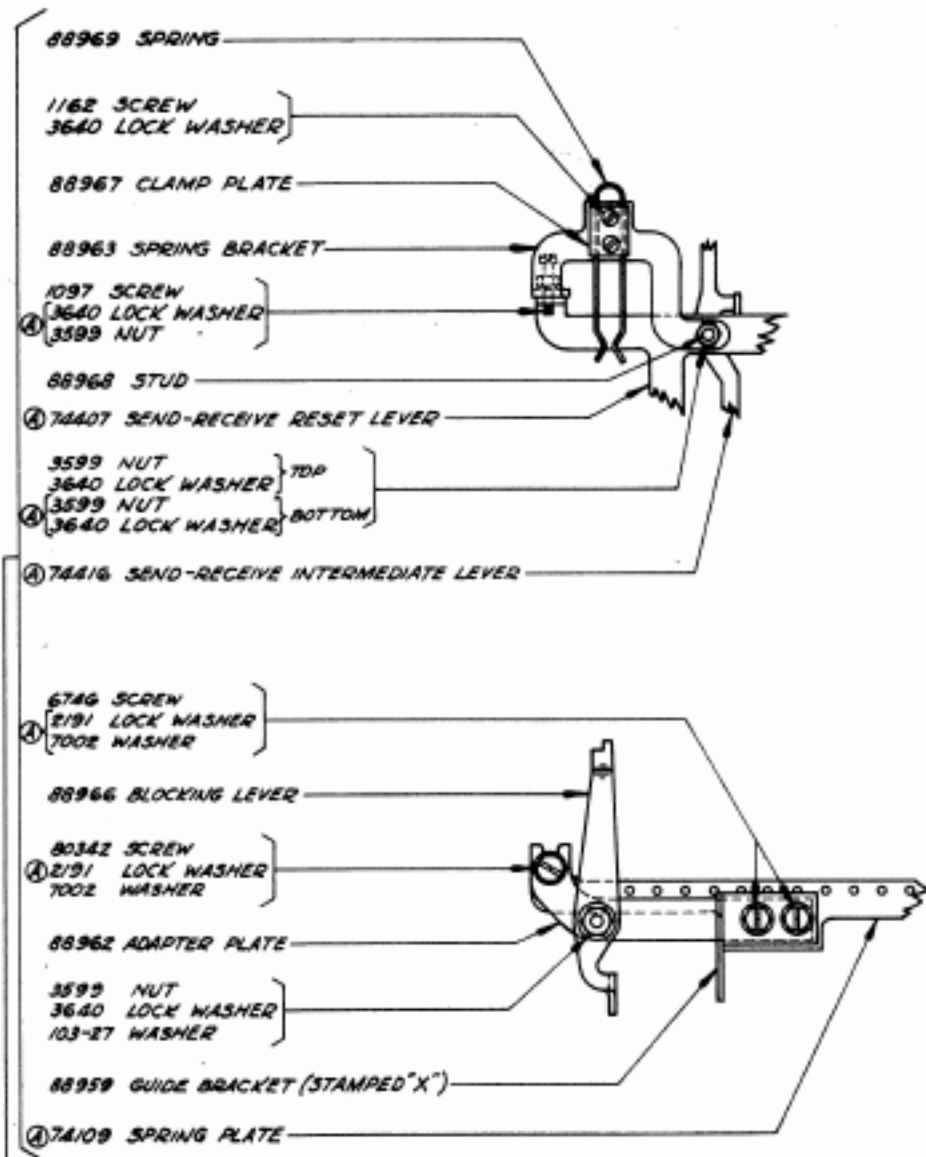
The 74932 function lever #7, blank, and its associated 87402 spring have been replaced by 84060 function lever #7, blank, and its associated 4708 spring, which suppresses printing and spacing in "letters" position only. This function lever and spring may be ordered under one number as 84061 function lever #7, blank (with spring).

A set of parts for converting TG-7-B printer sets to TG-37-B printer sets may be ordered as "81123 set of parts" and consists of the following items:

74202	"Blank" selection type bar	1
74185	"Blank" selection pull bar	1
7634	"Blank" selection pull bar spring	1
84061	Function lever #7 Blank (with spring)	1
84927	Function lever #2 Carriage Return	1
84928	Function lever #12 Line Feed	1
*82750	Set of type bar pallets	1
96559	Type bar pallet	1
*106040	Set of spring cushion keytops	1
99564	Spring cushion keytop	1
*87403	Set of mechanical motor stop parts	1
105381	Blocking bail	1

\*See following page for component parts.

The illustrations on the following page cover additional special parts applying to the TG-37-B printer set.

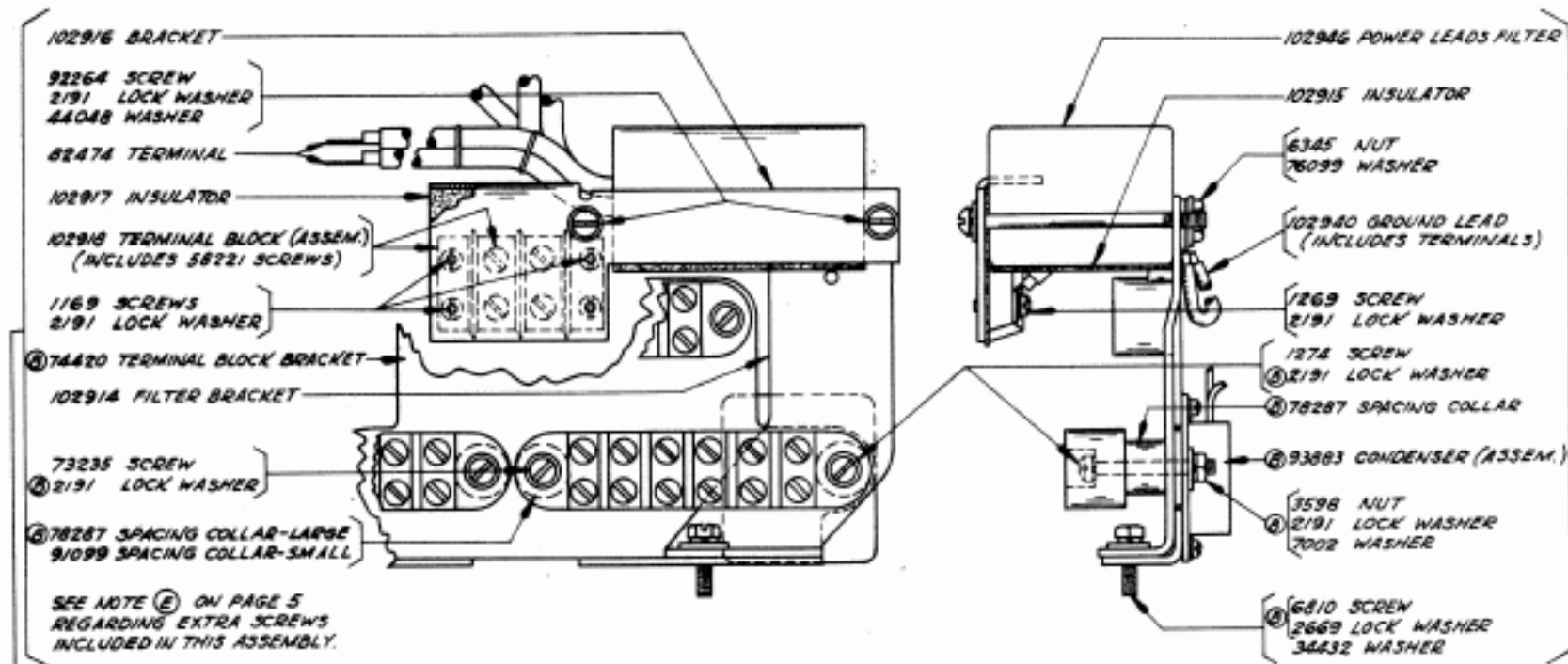


87403 SET OF MECHANICAL MOTOR STOP PARTS  
OPERATING ON "SHIFT-BLANK-STOP"  
(EXCLUDES PARTS MARKED (A))

TYPE BAR PALLETS		TYPE BARS (WITH PALLETS)		SPRING CUSHION KEYTOPS	
DESCRIP-TION	CATALOG NUMBER	NUMBER STAMPED ON TYPE BAR	CATALOG NUMBER	DESCRIP-TION	CATALOG NUMBER
-	(C) 84025	2	84734	-	(D) 89413
Z +	(C) 82751	3	84735	Z +	(D) 89422
K ←	(C) 82153	4	84736	K ←	(D) 89420
B ⊕	(C) 82420	5	84737	B ⊕	(D) 89425
P ♂	96559	6	102985	P ♂	99564
Y 6	74307	7	74647	Y 6	78969
M .	74308	8	74648	M .	78958
U 7	74309	9	74649	U 7	78965
L ↖	(C) 82154	10	84738	L ↖	(D) 89421
H ↓	(C) 82151	11	84740	H STOP	(D) 106019
O 9	74312	12	74652	O 9	78960
I 8	74313	13	74653	I 8	78954
N ⊙	(C) 84069	14	84742	N ⊙	(D) 89426
E 3	74315	15	74655	E 3	78950
T 5	74316	16	74656	T 5	78964
A ↑	(C) 82147	17	84743	A ↑	(D) 89414
J ↙	(C) 82152	18	84745	J ↙	(D) 89419
R 4	74319	19	74659	R 4	78963
D ↗	(C) 82148	20	84746	D ↗	(D) 89415
C ○	(C) 82423	21	84747	C ○	(D) 89423
F →	(C) 82149	22	84749	F →	(D) 89416
W 2	74323	23	74663	W 2	78967
G ↘	(C) 82150	24	84750	G ↘	(D) 89417
V ⊙	(C) 82421	25	84752	V ⊙	(D) 89424
Q 1	74326	26	74666	Q 1	78962
X /	74327	27	74667	X /	78968
S †	74328	28	74668	S BELL	78980
				FIGS.	78972
				LTRS.	78973
				CAR. RET.	78976
				LINE FEED	78978
105230 SET OF TYPE BAR PALLETS.				107005 SET OF SPRING CUSHION KEYTOPS.	

(C)-82750 SET OF TYPE BAR PALLETS.  
(CONSISTS OF PARTS MARKED (C))

(D)-106040 SET OF SPRING CUSHION KEYTOPS.  
(CONSISTS OF PARTS MARKED (D))



102874 POWER LEADS FILTER (ASSEM.) - SEE NOTE (E) ON PAGE 5.  
(EXCLUDES PARTS MARKED (B))  
(ALSO APPLICABLE TO TG-7-A & TG-7-B)

NOTE (E) (See Page 4)

In addition to the parts illustrated, the 102874 power leads filter (assembly) includes one each of the following screws: 1226, 1269, 75400, and 93115 for mounting this assembly to Model 15 printer bases of types other than those standardized for U. S. Government service. For use of these extra screws refer to Specification S-5311, furnished with each 102874 power leads filter (assembly).

# TELETYPE

PRINTING TELEGRAPH SYSTEMS

## *PARTS*

*U.S. ARMY SIGNAL CORPS  
PRINTERS TG-7-A & TG-7-B  
(TELETYPE MODEL 15)*

*U.S. ARMY SIGNAL CORPS  
CHESTS CH-50-A & CH-62-A  
(TELETYPE #103370 & #103368)*

*CHESTS CH-50-B & CH-62-B  
(TELETYPE #105229 & 105367)*



CORPORATION

SUBSIDIARY OF

*Western Electric Company*

CHICAGO, U.S.A.

ALPHABETICAL INDEX

	<u>Page</u>
Base . . . . .	13,24
Base Plate . . . . .	13,24
Basket - Type Bars . . . . .	10,11
Bells . . . . .	2,5
Bell Cranks . . . . .	12
Bell Push Bar . . . . .	4
Cables . . . . .	7,13,15,19,22
Cam Sleeve - Keyboard Shaft . . . . .	20
Cam Sleeve - Main Shaft . . . . .	3
Carriage Return Lock Bar . . . . .	5
Carriage Return Spring Drum (Assem.) . . . . .	5
Center Contact Governor (Assem.) . . . . .	23
CH-50-A Chest (Assem.) . . . . .	13,24
CH-50-B Chest (Assem.) . . . . .	13,24
CH-62-A Chest (Assem.) . . . . .	25
CH-62-B Chest (Assem.) . . . . .	25
Clamps - Cable . . . . .	13
Code Bars . . . . .	26
Condensers . . . . .	16,17
Connection Strip (Assem.) . . . . .	14
Contact Mounting (Assem.) . . . . .	20
Control Relay (Assem.) . . . . .	16
Control Switch . . . . .	13
Copyholder (Assem.) . . . . .	21
Cords (Assem.) . . . . .	18
Cover (Assem.) . . . . .	21
Cover Front Plate (Assem.) . . . . .	21
Cover Locating Studs . . . . .	13
Dashpot Parts . . . . .	1
Draw Strap . . . . .	5
Filters . . . . .	17
Frame Parts - Left Side . . . . .	1
Frame Parts - Right Side . . . . .	2
Function Bail . . . . .	4
Function Levers . . . . .	6
Function Lever Bail (Assem.) . . . . .	6
Fusetron . . . . .	13
Fuse Block . . . . .	13
Gears . . . . .	3,5,12,20,22
Governor . . . . .	23
Governor Brush and Speed Adjusting Bracket (Assem.) . . . . .	23
Governor Parts . . . . .	23
Guards . . . . .	15

II  
(B-1110)

ALPHABETICAL INDEX

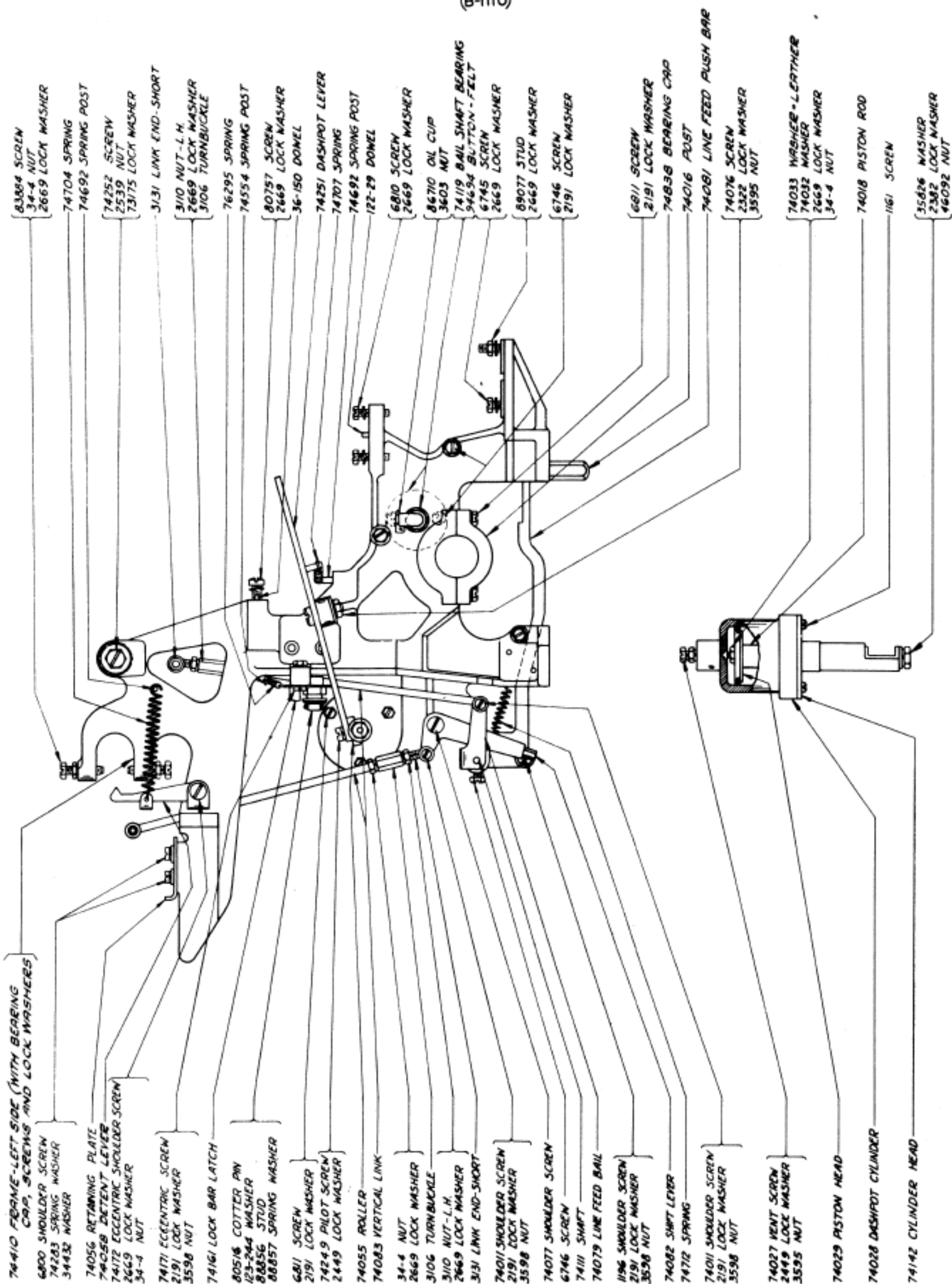
	<u>Page</u>
Keyboard Base . . . . .	19
Keyboard Shaft . . . . .	20
Keyboard Tracks . . . . .	14
Key Levers . . . . .	19
Keytops . . . . .	26
Letters Push Bar . . . . .	4
Line and Selector Jack (Assem.) . . . . .	15
Line Cords (Assem.) . . . . .	18
Line Feed Push Bar . . . . .	1
Line Relay Radio Filter (Assem.) . . . . .	17
Lord Mounting (Assem.) . . . . .	13,24,25
Magnet . . . . .	9
Main Shaft . . . . .	3
Margin Adjusting Screws . . . . .	11
Margin Bell . . . . .	2
Message Line Guide (Assem.) . . . . .	21
Motor . . . . .	22
Motor Plate . . . . .	13,22
Motor Stop Contacts (Assem.) . . . . .	7
Motor Stop Locking (Assem.) . . . . .	9
Motor Unit (Assem.) . . . . .	22
Name Plates . . . . .	21,22
Numerical Index . . . . .	27
Operating Bail Roller (Assem.) . . . . .	11
Pads - Felt . . . . .	13,21,24
Paper Roll Spindle . . . . .	7
Pinion . . . . .	22
Platen (Assem.) . . . . .	8
Platen Crank (Assem.) . . . . .	7,25
Platen Parts . . . . .	7,8
Platen Roll . . . . .	7
Plugs . . . . .	18
Power Cords (Assem.) . . . . .	18
Printing Bail . . . . .	4
Printing Bail Guides . . . . .	12
Pull Bars . . . . .	26
Pull Bar Springs . . . . .	26
Pull Bar Stripper . . . . .	12
Range Finder (Assem.) . . . . .	9
Rear Cross Bar . . . . .	4
Relay Base . . . . .	15
Relay Connecting Block . . . . .	15
Relay Mounting Bracket . . . . .	13,15

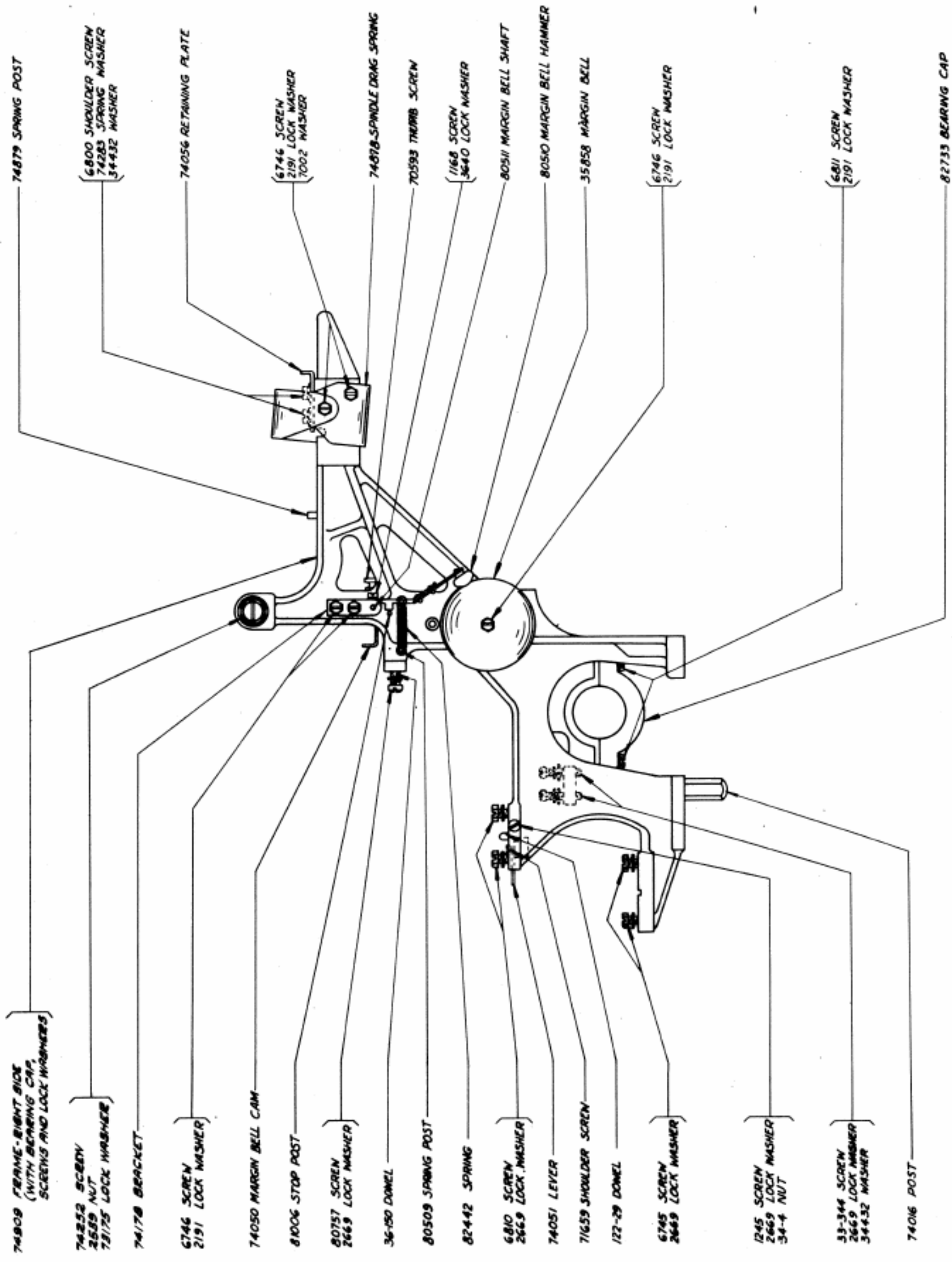


III  
(B-1110)

ALPHABETICAL INDEX

	<u>Page</u>
Resistance Unit (Assem.) . . . . .	16
Resistors . . . . .	15,16,17,18
Resistor Cage . . . . .	18
Ribbon Lockout Lever (Assem.) . . . . .	10
Ribbon Reverse Mechanism . . . . .	11,12
Selector Bars . . . . .	19
Selector Unit . . . . .	9
Selector Vanes . . . . .	6
Send-Receive Break Mechanism (Assem.) . . . . .	14
Set of Gears . . . . .	22
Set of Keytops . . . . .	26
Set of Type Bar Pallets . . . . .	26
Shift Push Bar . . . . .	4
Sixth Vane - with Extension (Assem.) . . . . .	4,6
Slip Connection Mounting Plate (Assem.) . . . . .	14
Spacer Bar . . . . .	19
Spacing Cross Bar . . . . .	5
Spacing Rack . . . . .	11
Spacing Shaft . . . . .	5
Spring Cushion Keytops . . . . .	26
Spring Drum (Assem.) . . . . .	5
Target . . . . .	22
Target Lamp . . . . .	15
Terminal Blocks (Assem.) . . . . .	13,16,19
Terminal Block and Cable (Assem.) . . . . .	4
Terminal Strap . . . . .	9
Test Key . . . . .	19
Toggle Switch (Assem.) . . . . .	13,15,18
Tracks - Keyboard . . . . .	14
Tracks - Type Bar Basket . . . . .	10
Transmitter (Assem.) . . . . .	20
Transmitting Contact Filter (Assem.) . . . . .	17
Tuning Fork . . . . .	24
Type Bars . . . . .	26
Type Bars (with Pallets) . . . . .	26
Type Bars (without Pallets) . . . . .	26
Type Bar Backstop (Assem.) . . . . .	10
Type Bar Basket (Assem.) . . . . .	10,11
Type Bar Pallets . . . . .	26
Universal Bar . . . . .	19
Vanes . . . . .	6





74809 FRAME-EIGHT SIDE  
(WITH BEARING CAP,  
SCREWS AND LOCK WASHERS)

74252 SCREW  
2559 NUT  
78175 LOCK WASHER

74178 BRACKET

6746 SCREW  
2191 LOCK WASHER

74050 MARGIN BELL CAM

81006 STOP POST

80757 SCREW  
2669 LOCK WASHER

36-150 DONEL

80509 SPRING POST

82442 SPRING

6810 SCREW  
2669 LOCK WASHER

74051 LEVER

71659 SHOULDER SCREW

122-29 DONEL

6745 SCREW  
2669 LOCK WASHER

1245 SCREW  
2669 LOCK WASHER  
34-4 NUT

33-344 SCREW  
2669 LOCK WASHER  
34432 WASHER

74016 POST

74879 SPRING POST

6800 SHOULDER SCREW  
74283 SPRING WASHER  
34432 WASHER

74056 RETAINING PLATE

6746 SCREW  
2191 LOCK WASHER  
7002 WASHER

74878-SPINDLE DRAG SPRING

70593 THUMB SCREW

1168 SCREW  
3640 LOCK WASHER

80511 MARGIN BELL SHAFT

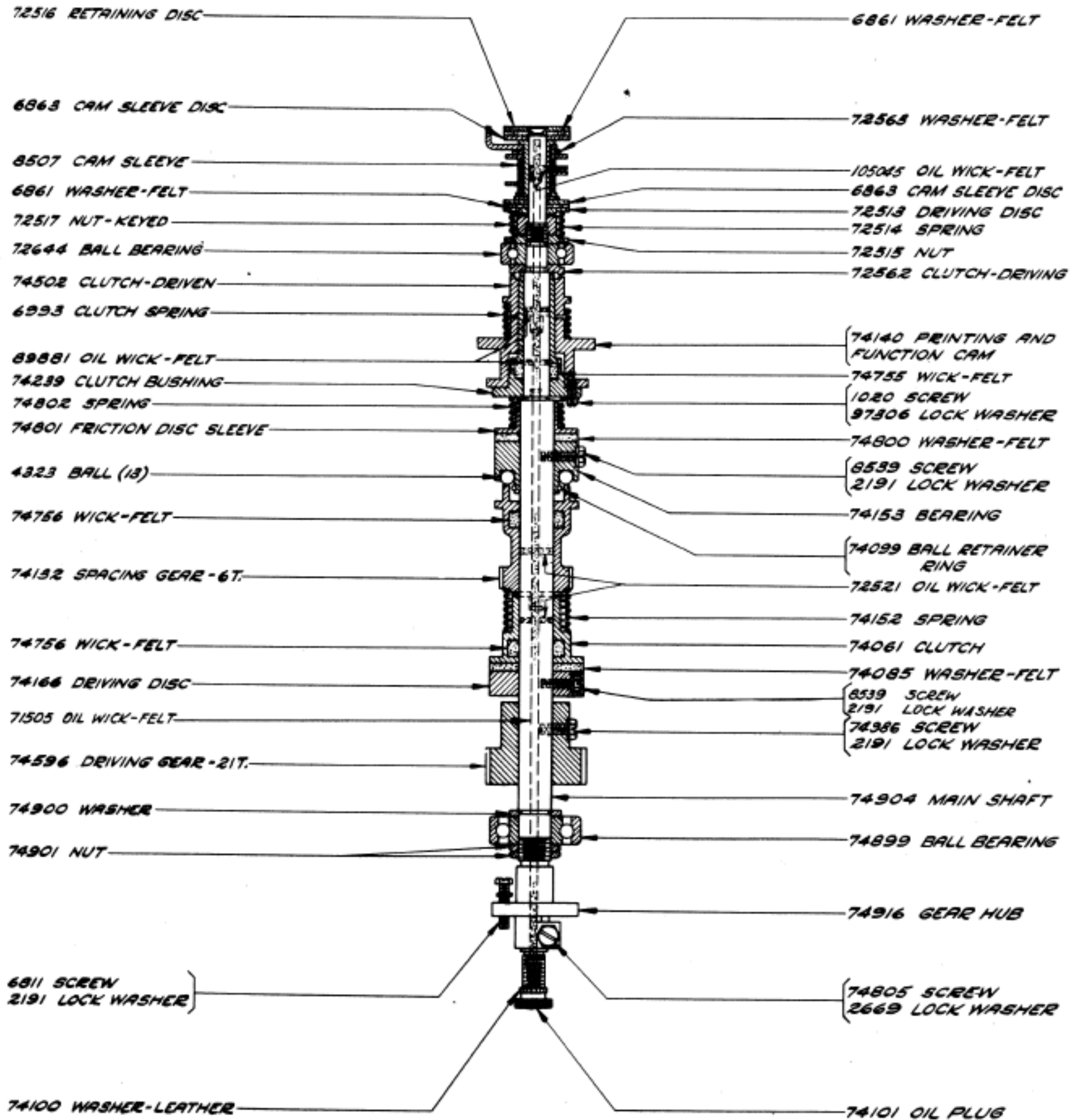
80510 MARGIN BELL HAMMER

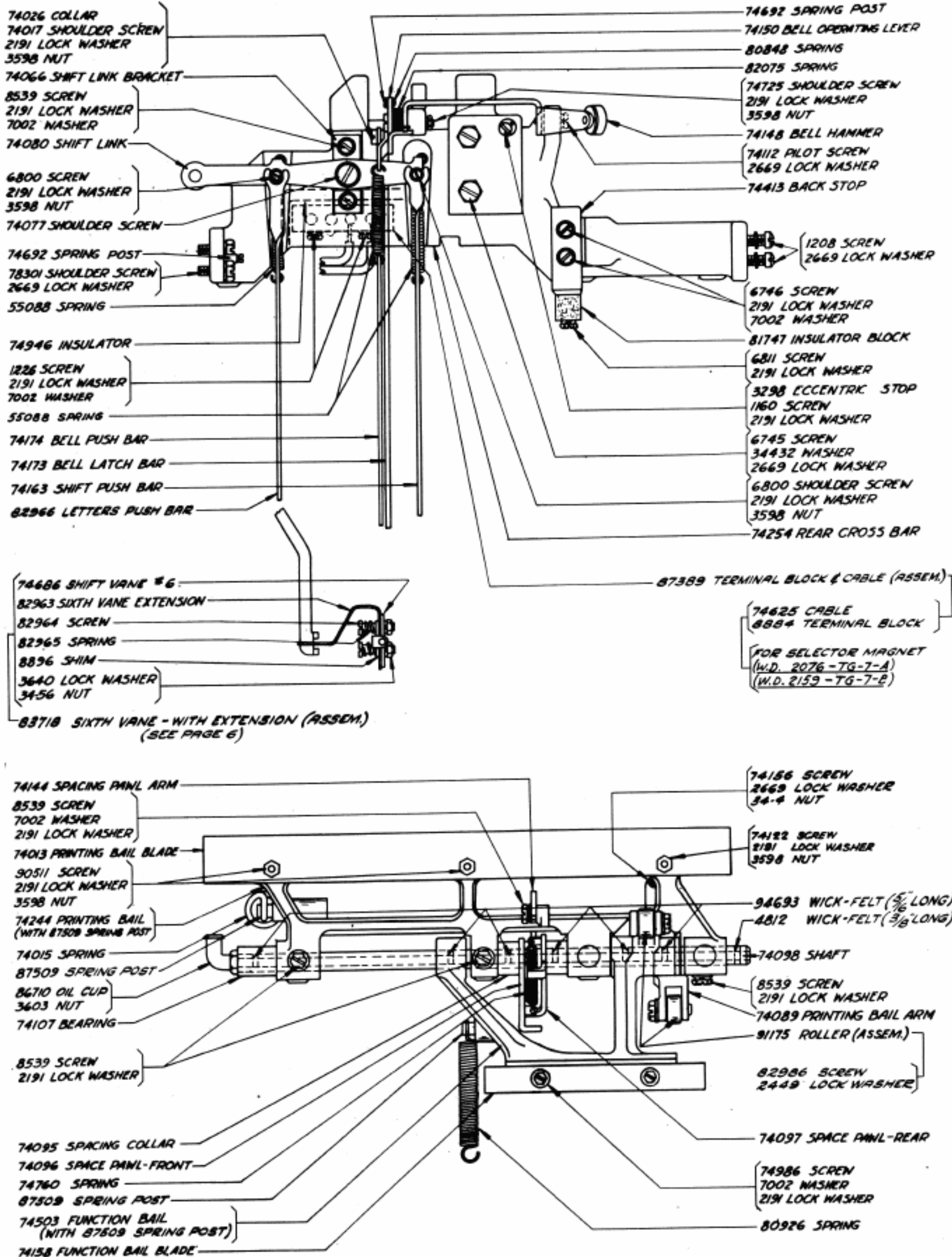
35858 MARGIN BELL

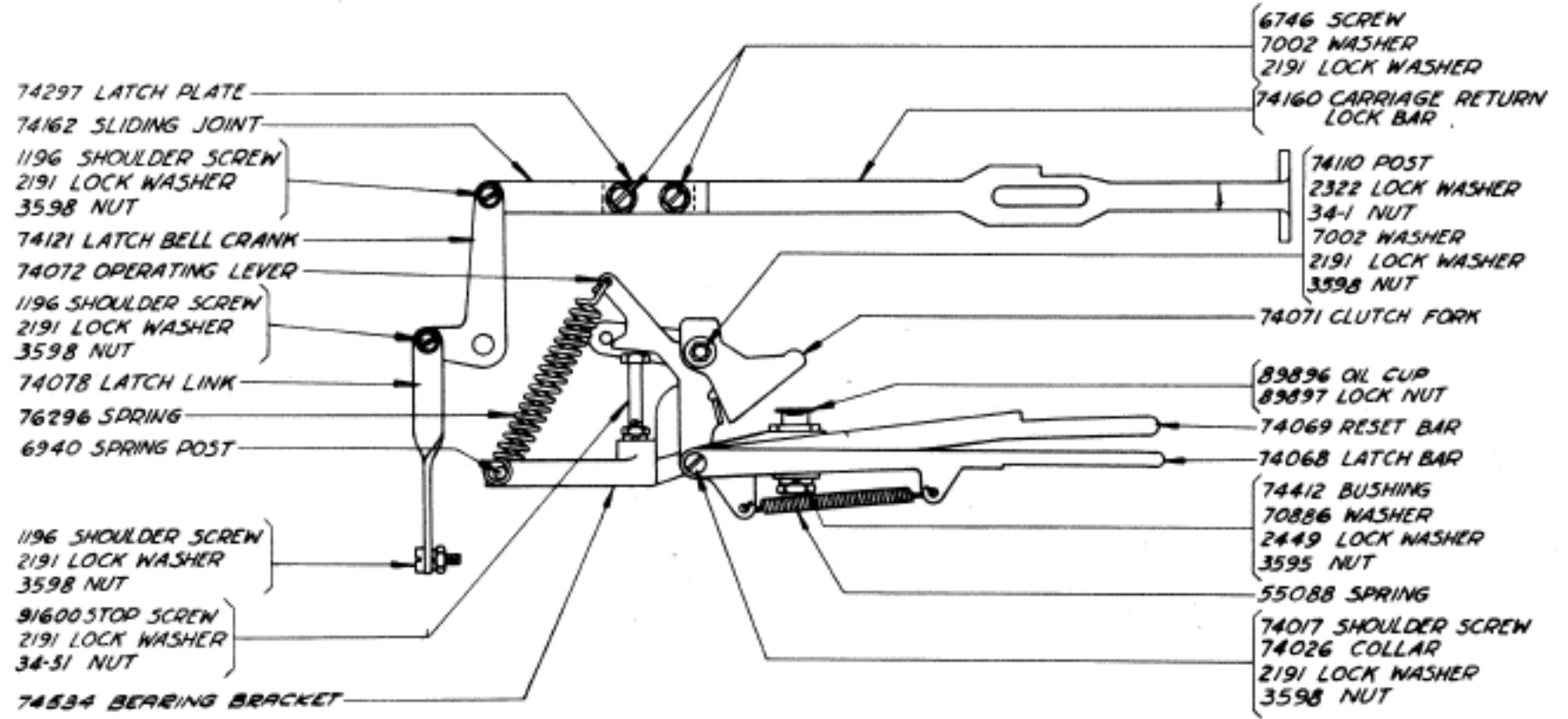
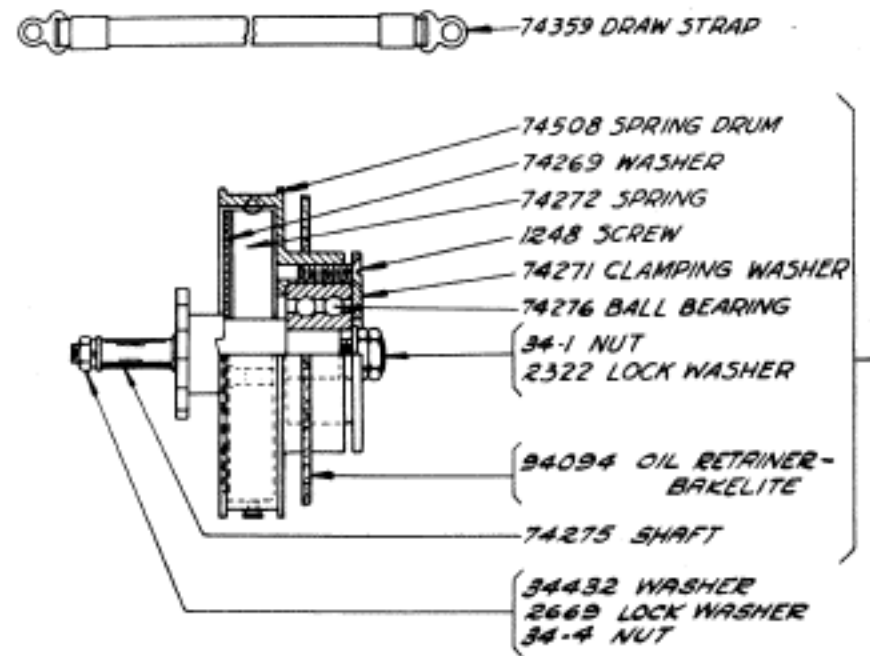
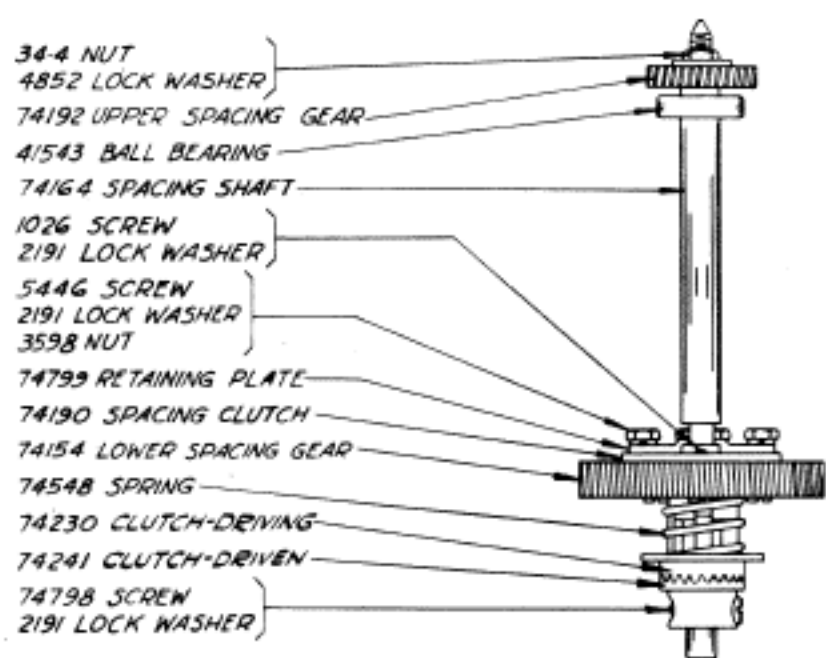
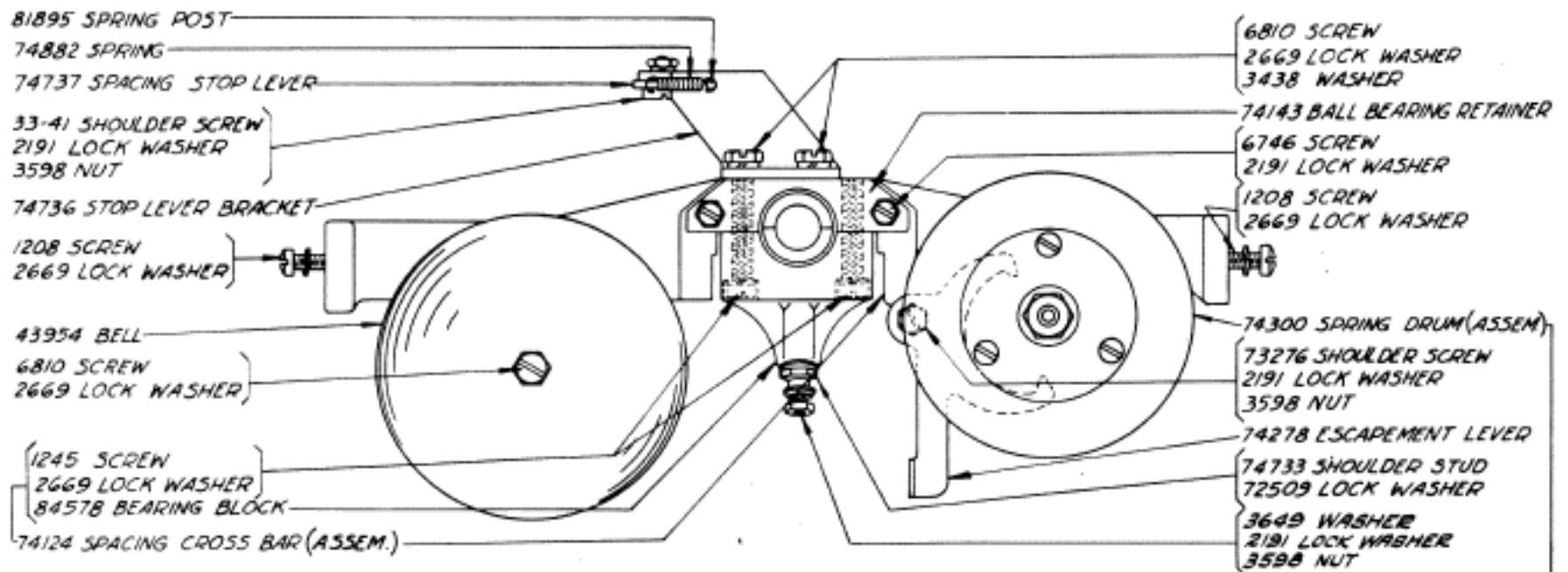
6746 SCREW  
2191 LOCK WASHER

6811 SCREW  
2191 LOCK WASHER

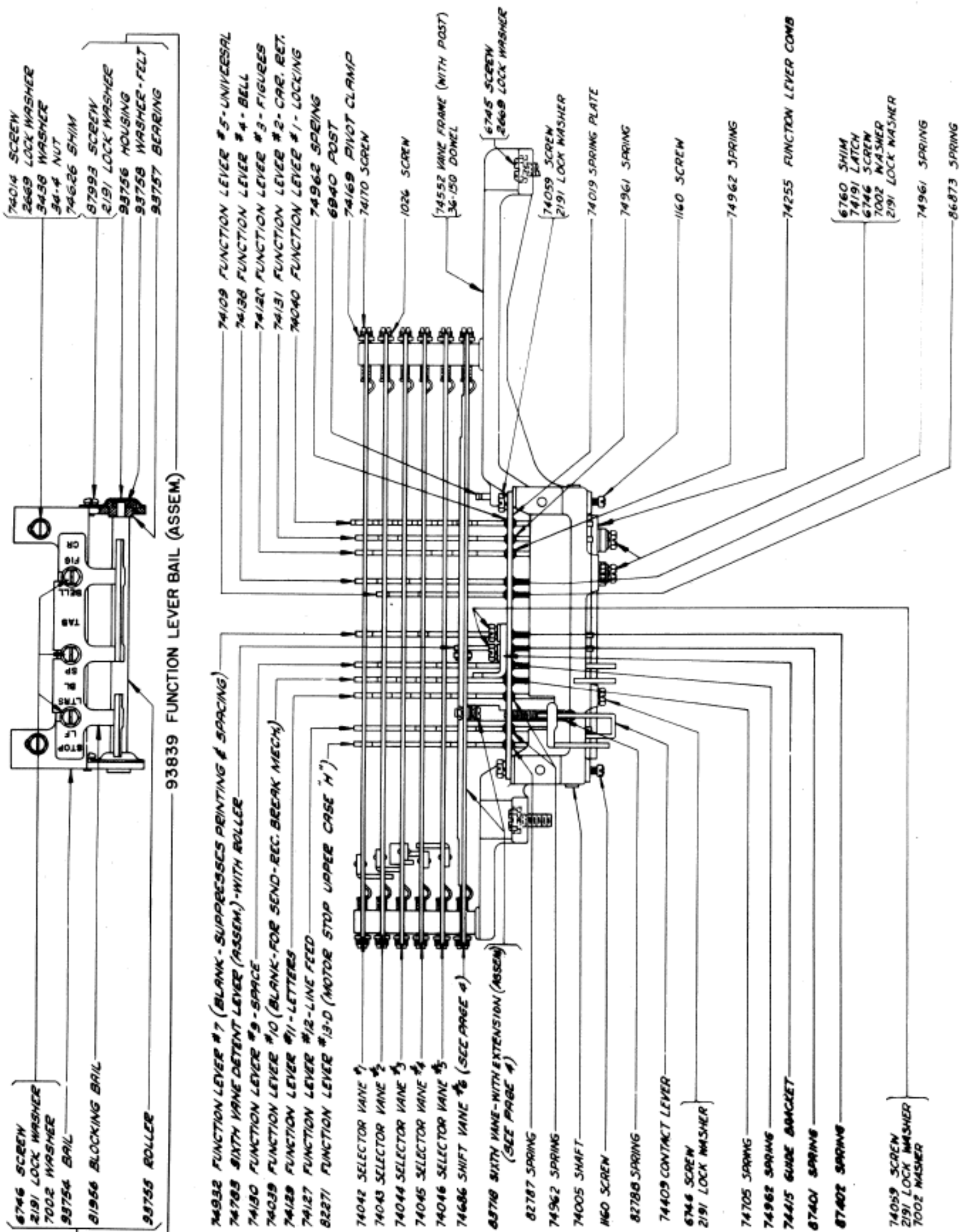
82733 BEARING CAP

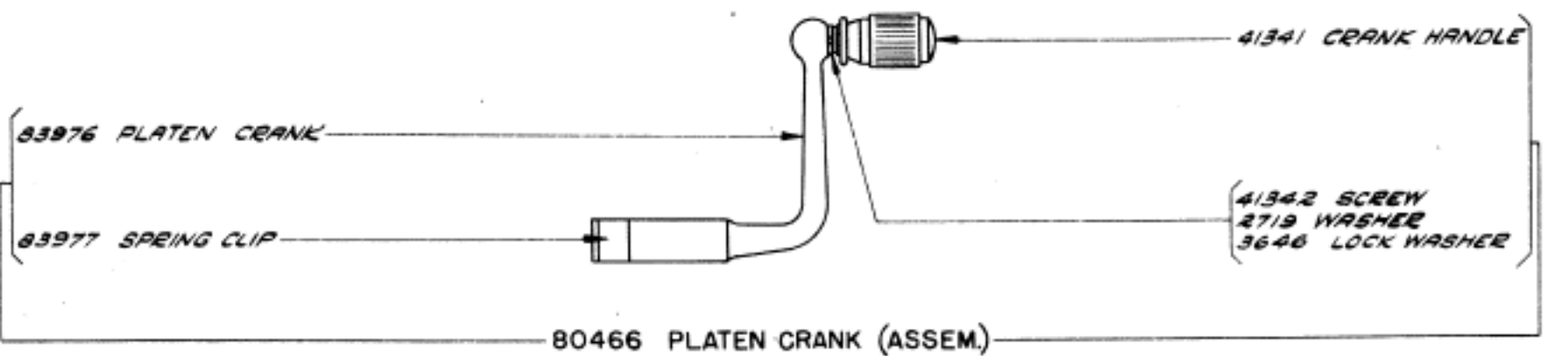
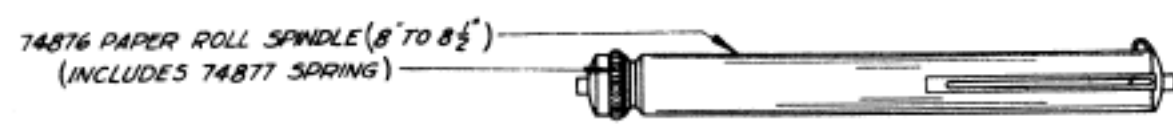
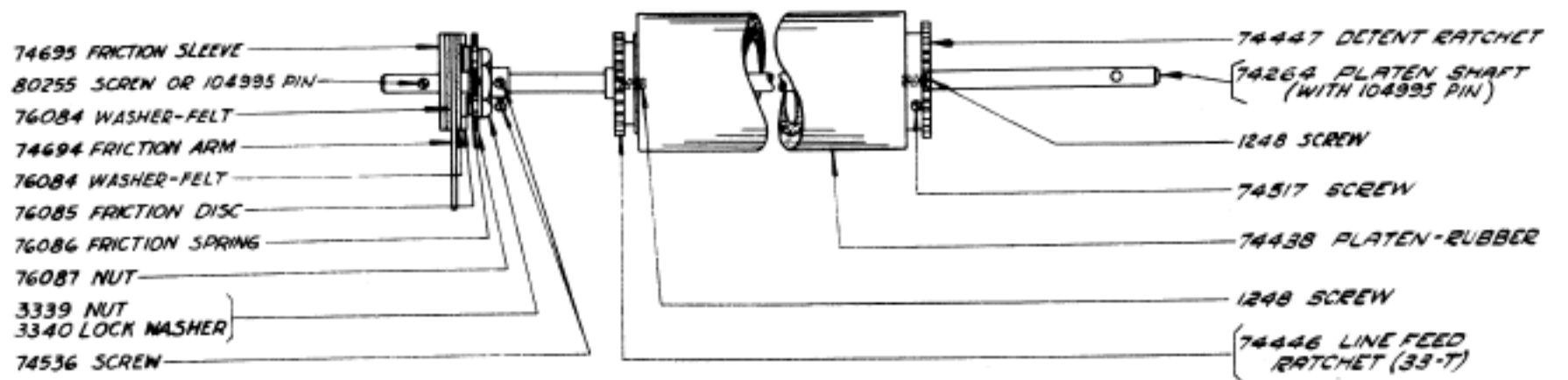
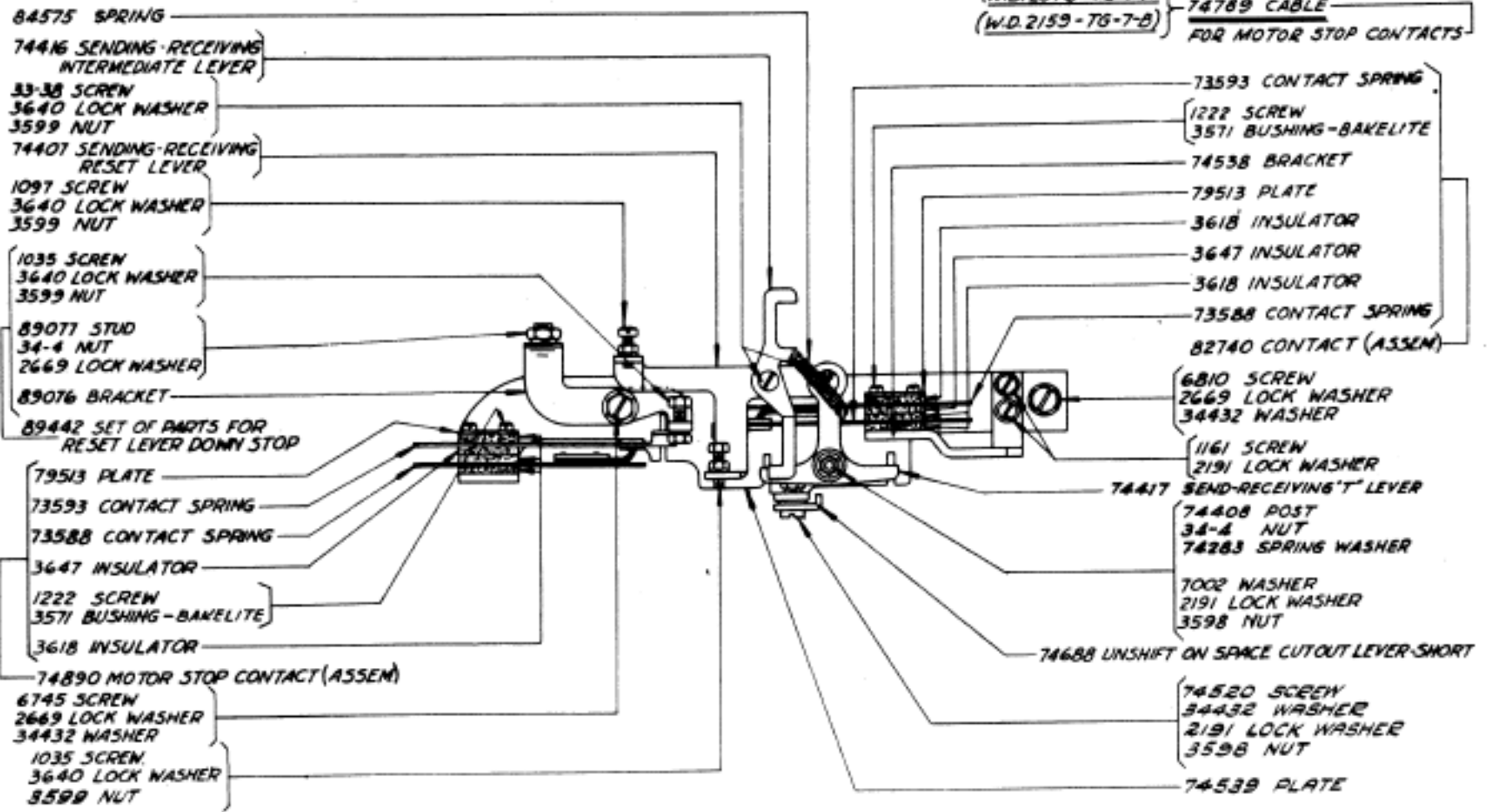


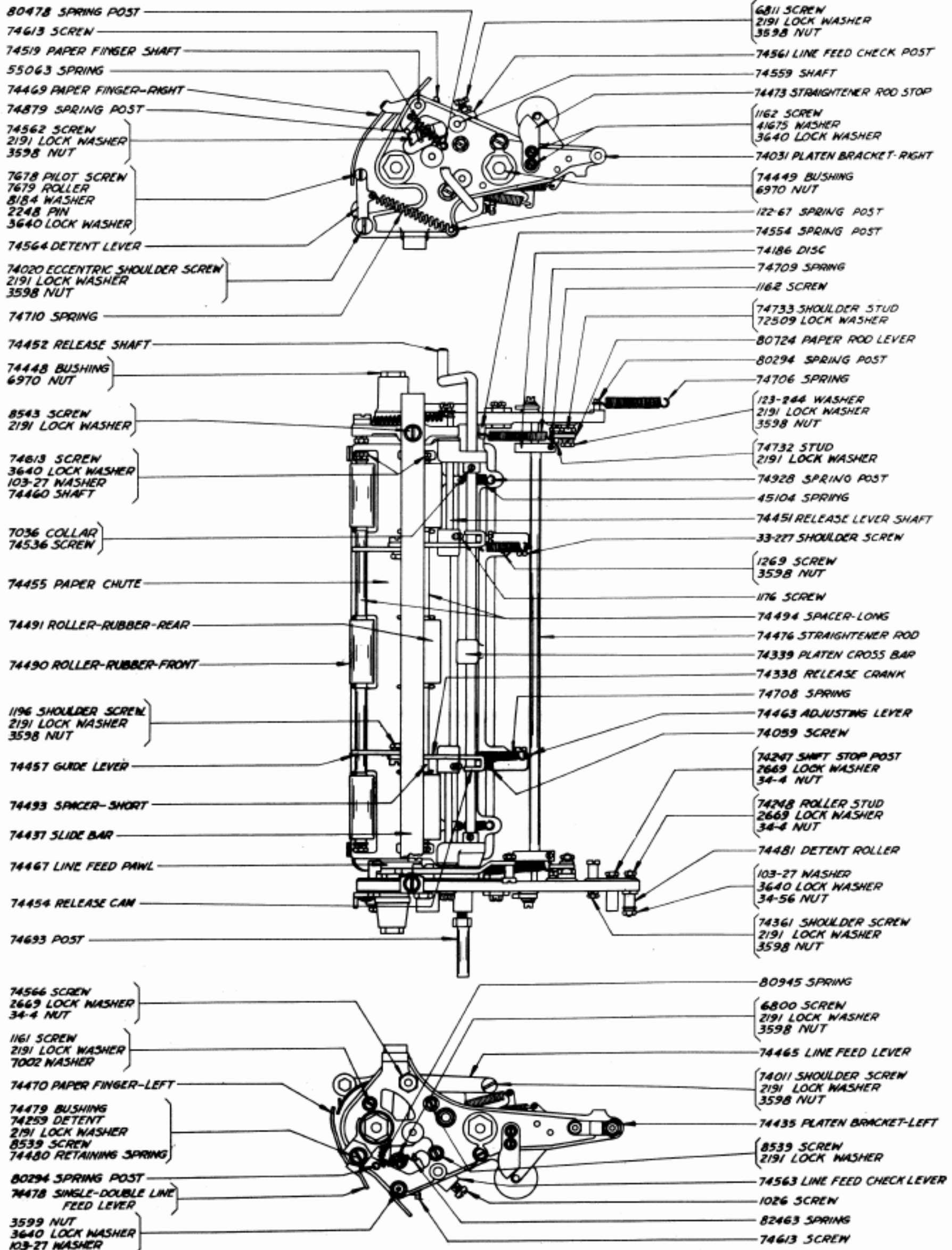


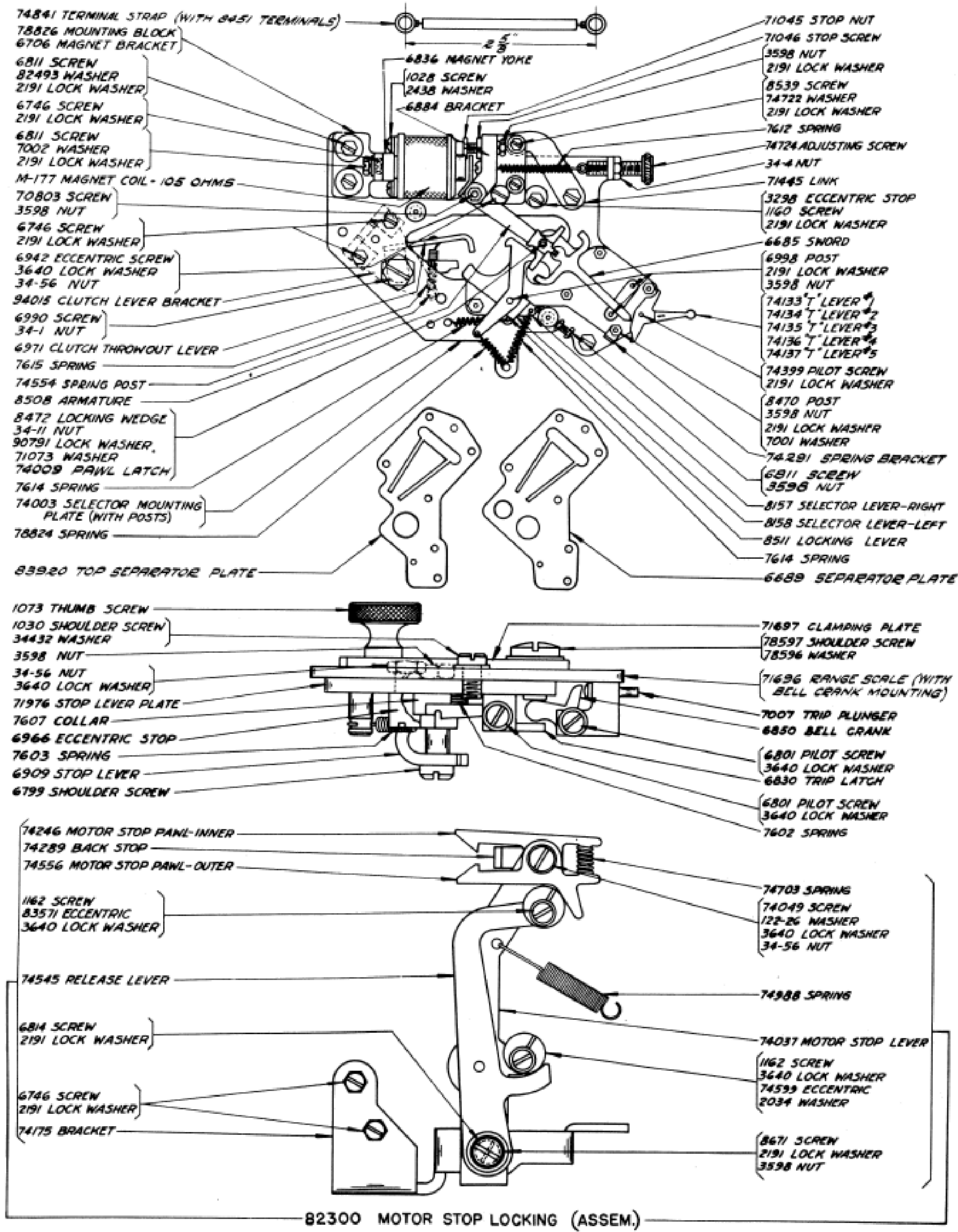




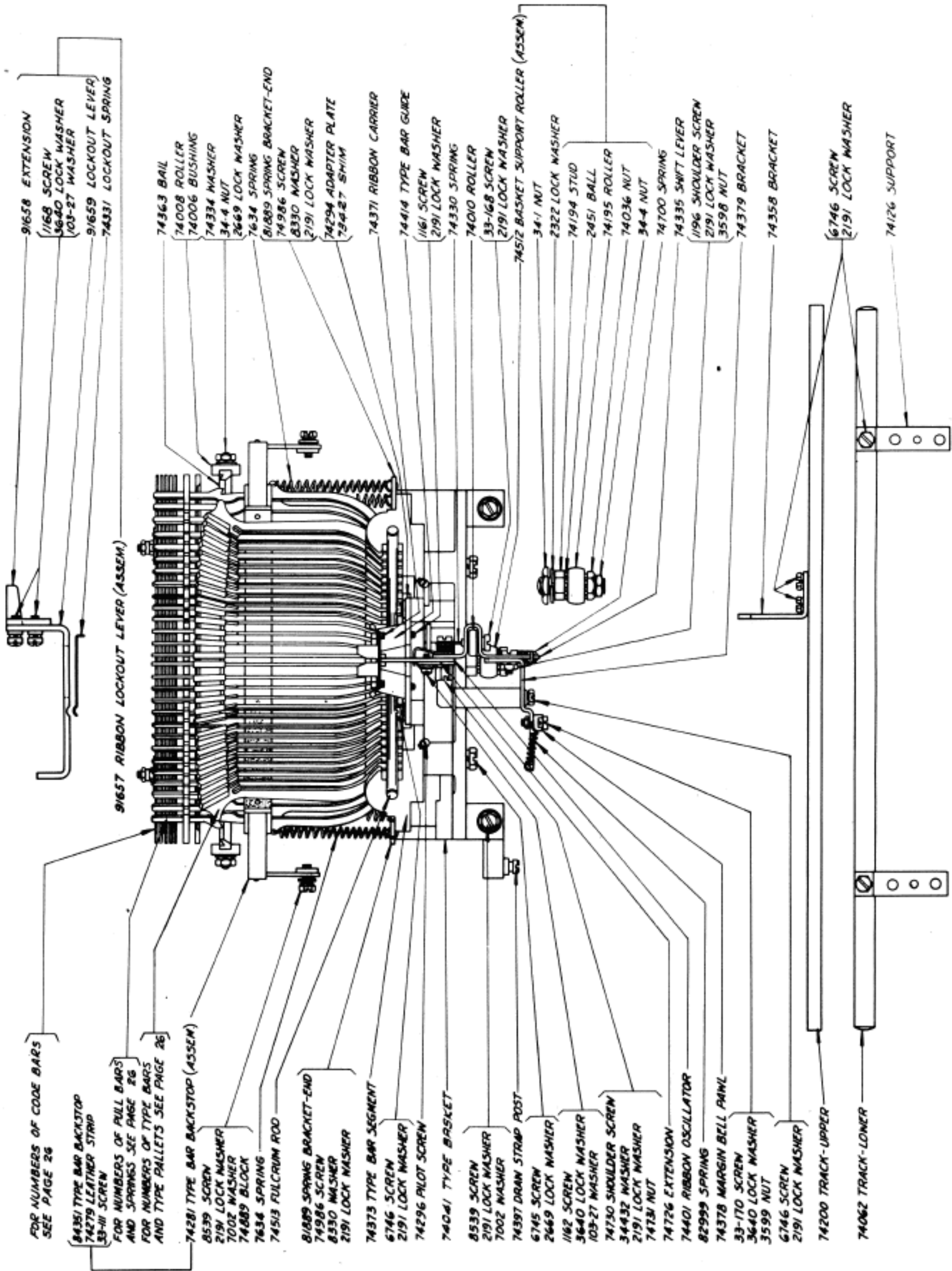


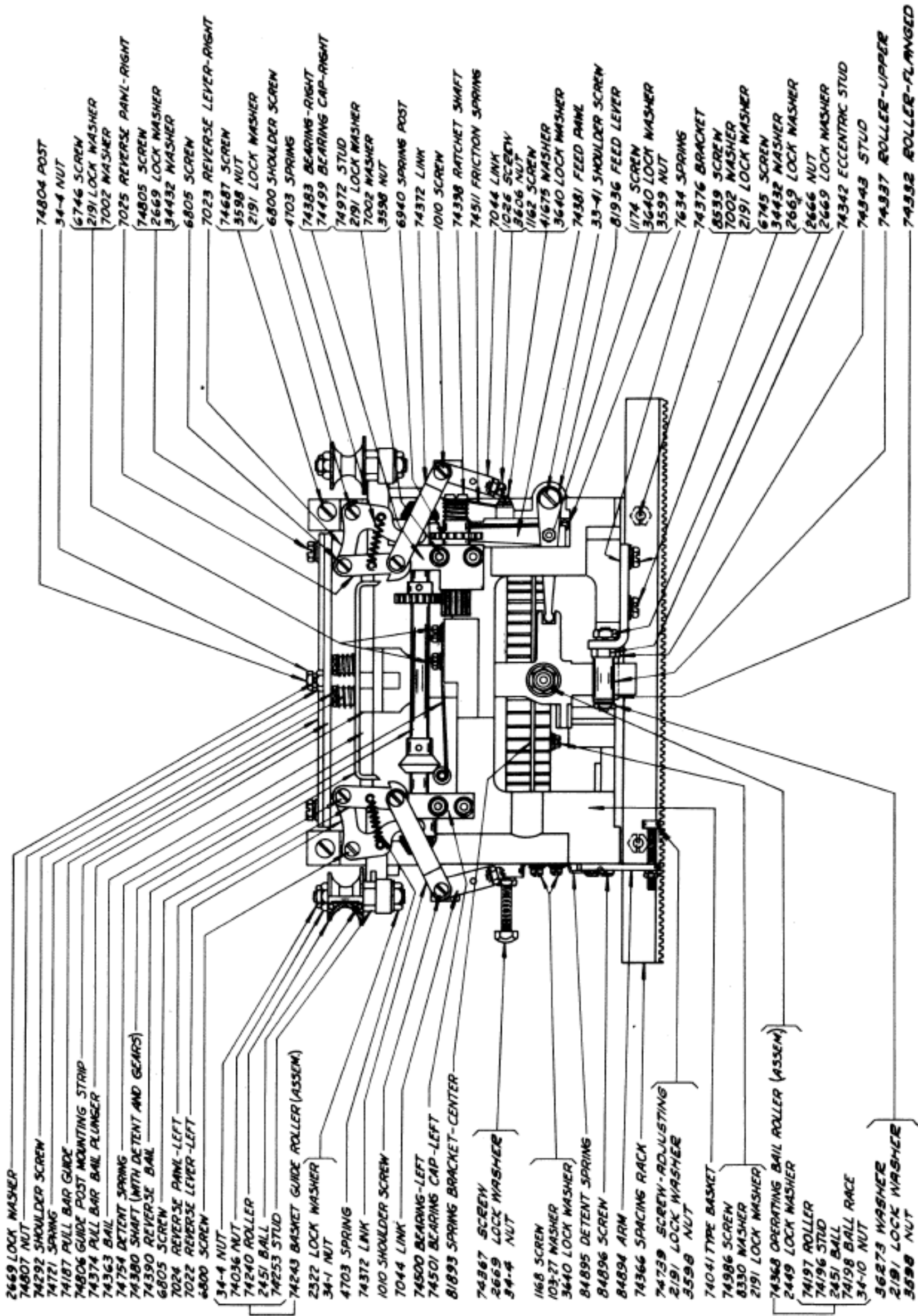




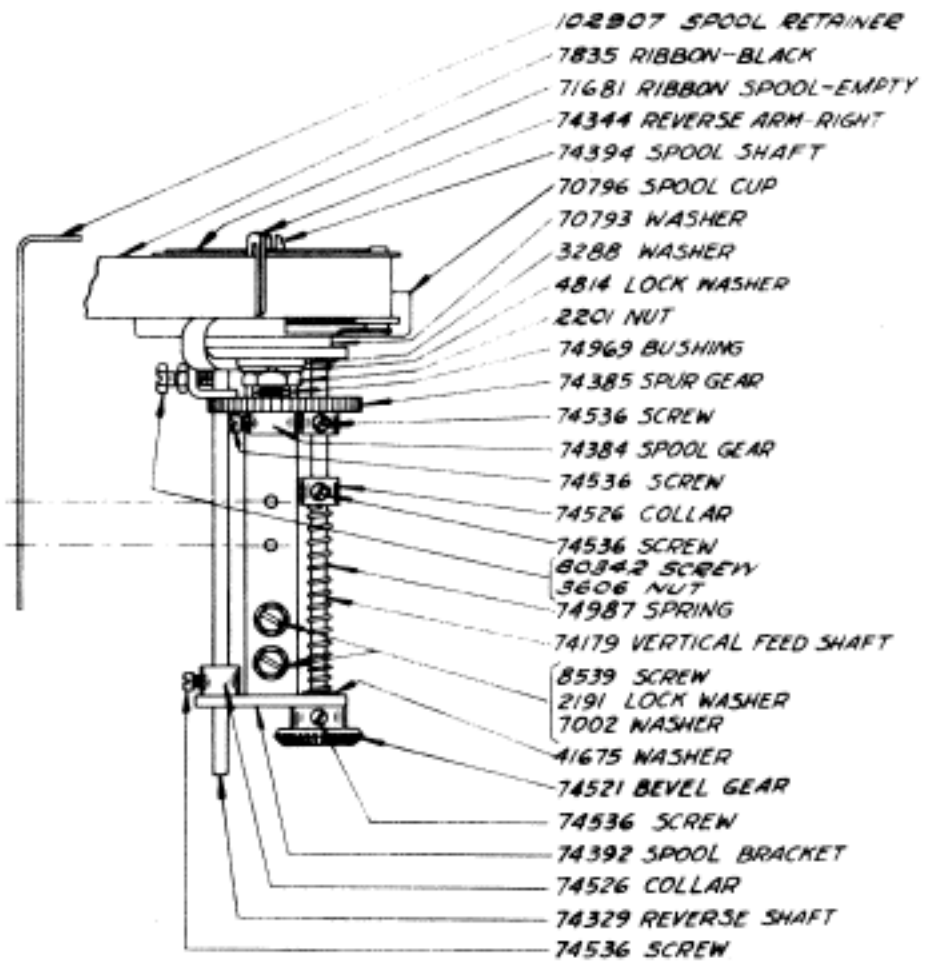
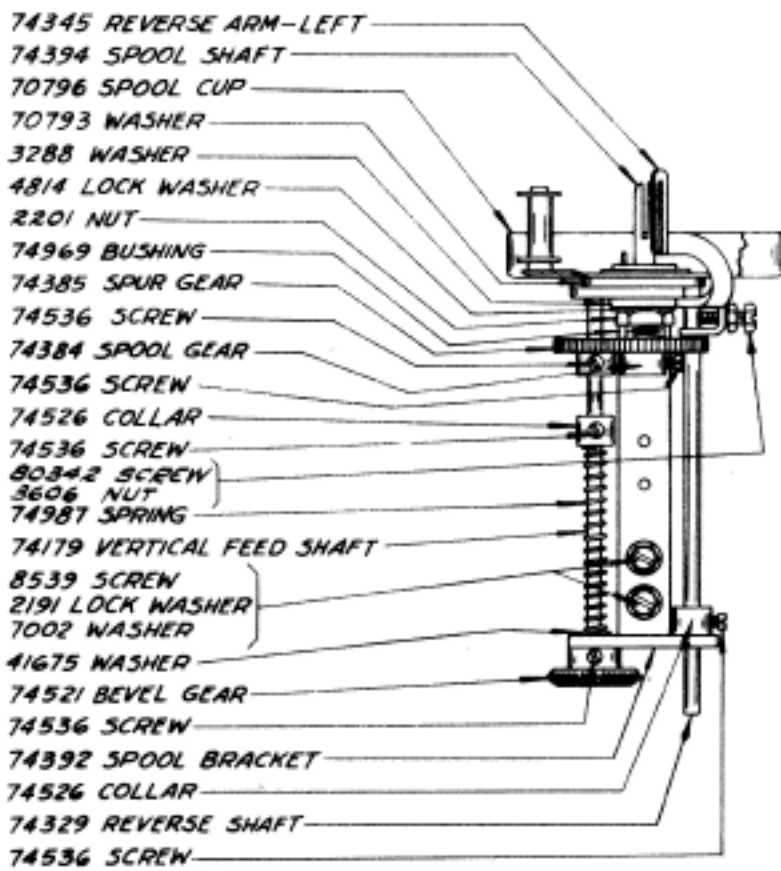
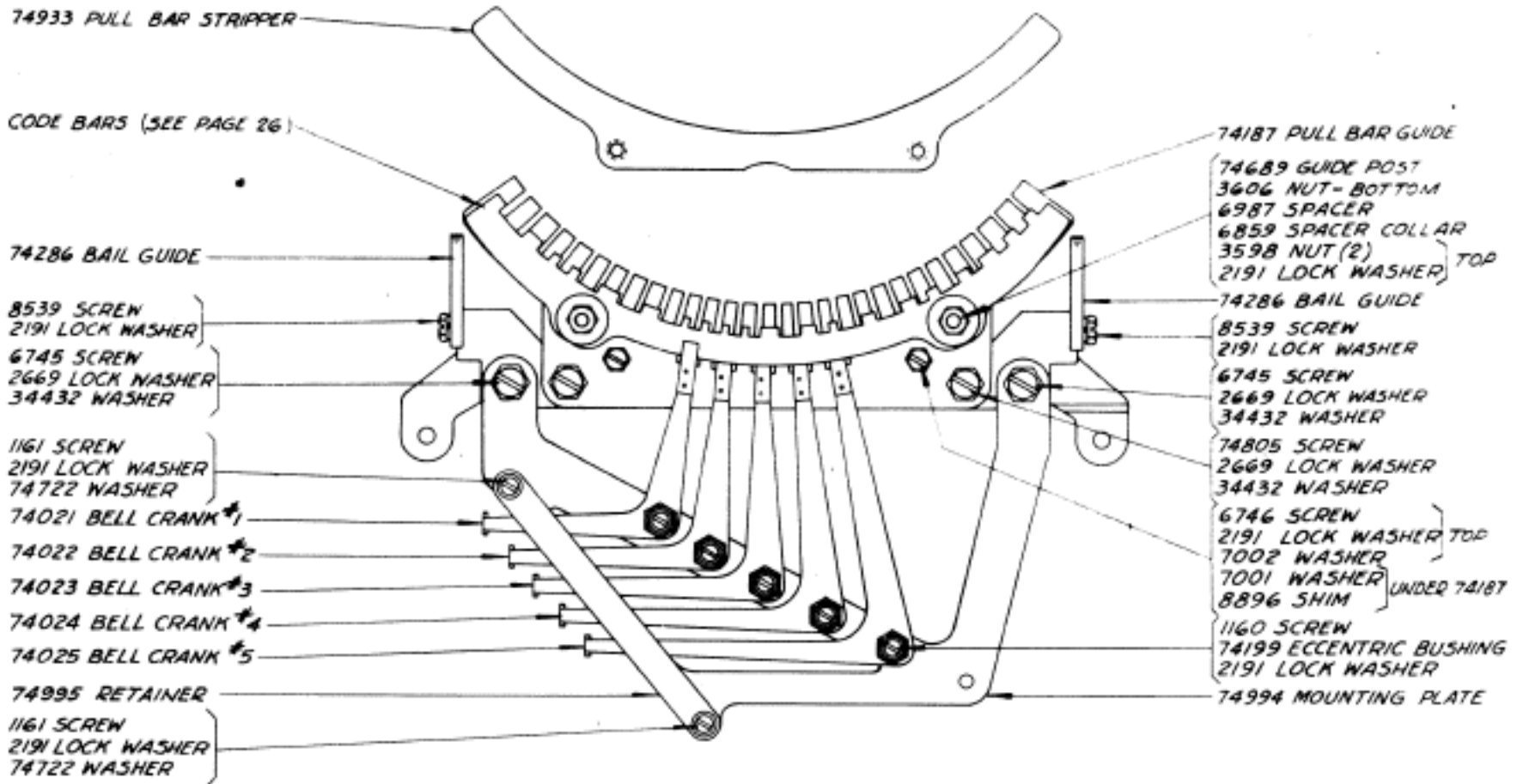












6810 SCREW  
2669 LOCK WASHER

91767 CABLE CLAMP

80342 SCREW  
2191 LOCK WASHER

80342 SCREW  
2191 LOCK WASHER  
7002 WASHER

90273 CORD CLAMP

103378 BASE-BLACK GLOSS

74628 FUSE BLOCK  
103288 FUSETRON-1.4 AMR  
1193 SCREW  
90752 WASHER-FELT

6745 SCREW  
2669 LOCK WASHER  
74422 RELAY  
MOUNTING BRACKET  
(ALSO SEE PAGE 15)

8539 SCREW  
2191 LOCK WASHER  
1245 SCREW  
2669 LOCK WASHER

74551 COVER-BAKELITE  
1160 SCREW  
2191 LOCK WASHER

83413 BUFFER  
83412 LOCATING STUD  
4814 LOCK WASHER  
74621 COVER LOCATING  
STUD (ASSEM.)

74898 STUD

74720 SCREW-THUMB

74588 TERMINAL BLOCK (ASSEM.)  
6811 SCREW  
7094 CONNECTION SPRING  
7095 SPRING PLATE  
74568 TERMINAL BLOCK

2291 CONTACT SPRING-LOWER  
2924 CONTACT SPRING-UPPER  
7399 SPRING STIFFENER

4293 INSULATOR  
72508 SCREW  
7096 BUSHING-BAKELITE  
2191 LOCK WASHER  
7398 SPRING PLATE

103378 BASE  
103542 BASE PLATE  
103376 STUD  
85595 NUT  
103779 WASHER  
103877 WASHER  
2920 LOCK WASHER  
85595 NUT  
6035 SCREW  
2449 LOCK WASHER

78301 SCREW  
34-4 NUT  
2669 LOCK WASHER  
1224 ADJUSTING SCREW STUD  
2191 LOCK WASHER  
3598 NUT

74567 SCREW  
2846 WASHER } FOR MOTOR  
2449 LOCK WASHER  
74091 MOTOR PLATE  
(FOR MOTOR SEE PAGE 22)

74014 SCREW  
2669 LOCK WASHER

1226 SCREW  
78287 SPACING COLLAR  
2191 LOCK WASHER

73670 TERMINAL BLOCK (ASSEM.)

1028 SCREW  
3650 WASHER  
74489 SCREW  
34-4 NUT

99818 CORD GUARD

6810 SCREW  
2669 LOCK WASHER  
1160 SCREW } GROUND  
7002 WASHER  
74425 RECEPTACLE

33-179 SCREW  
5599 NUT

74420 BRACKET  
74531 SWITCH COVER  
74776 INSULATOR  
74620 CONTROL SWITCH  
1166 SCREW

74059 SCREW  
2191 LOCK WASHER  
7002 WASHER

103542 BASE PLATE  
FOR MOUNTING 103542  
6035 SCREW  
2449 LOCK WASHER  
82474 TERMINAL

1026 SCREW  
2191 LOCK WASHER

102610 LORD MOUNTING

103148 PAD-FELT

{ CH-50-A }  
{ CH-50-B } CHEST (ASSEM.)

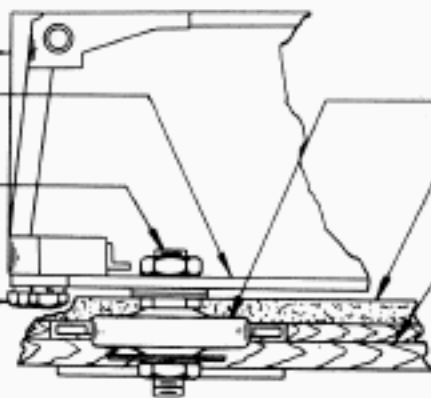
SEE PAGE 24

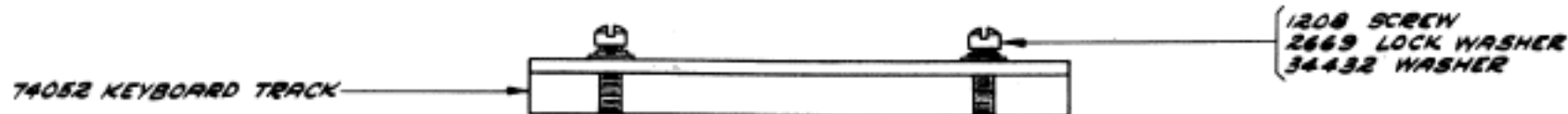
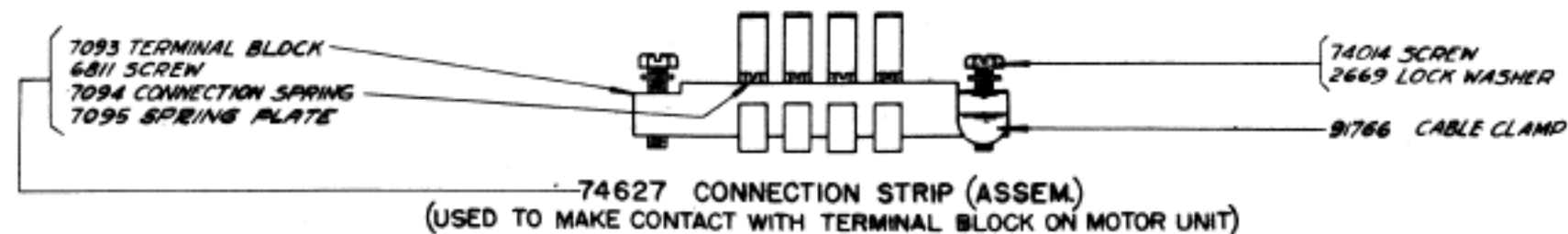
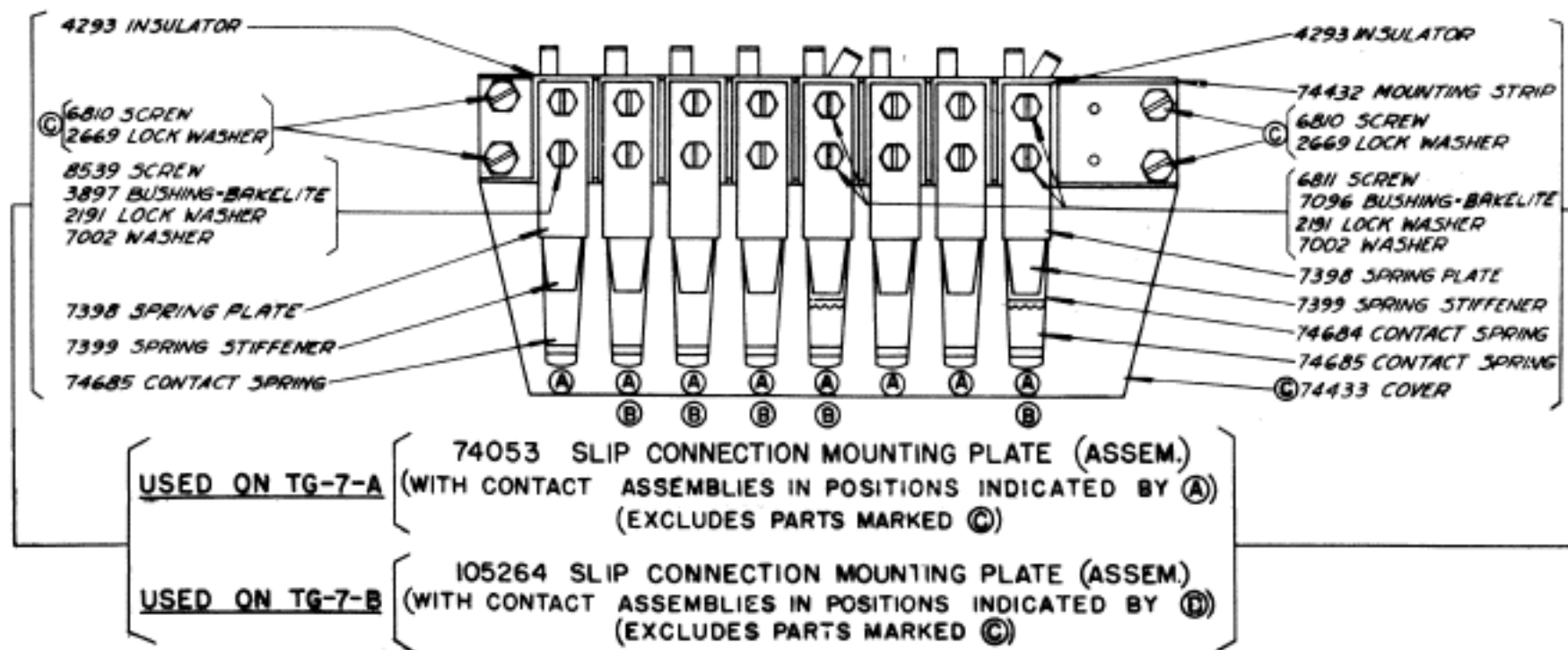
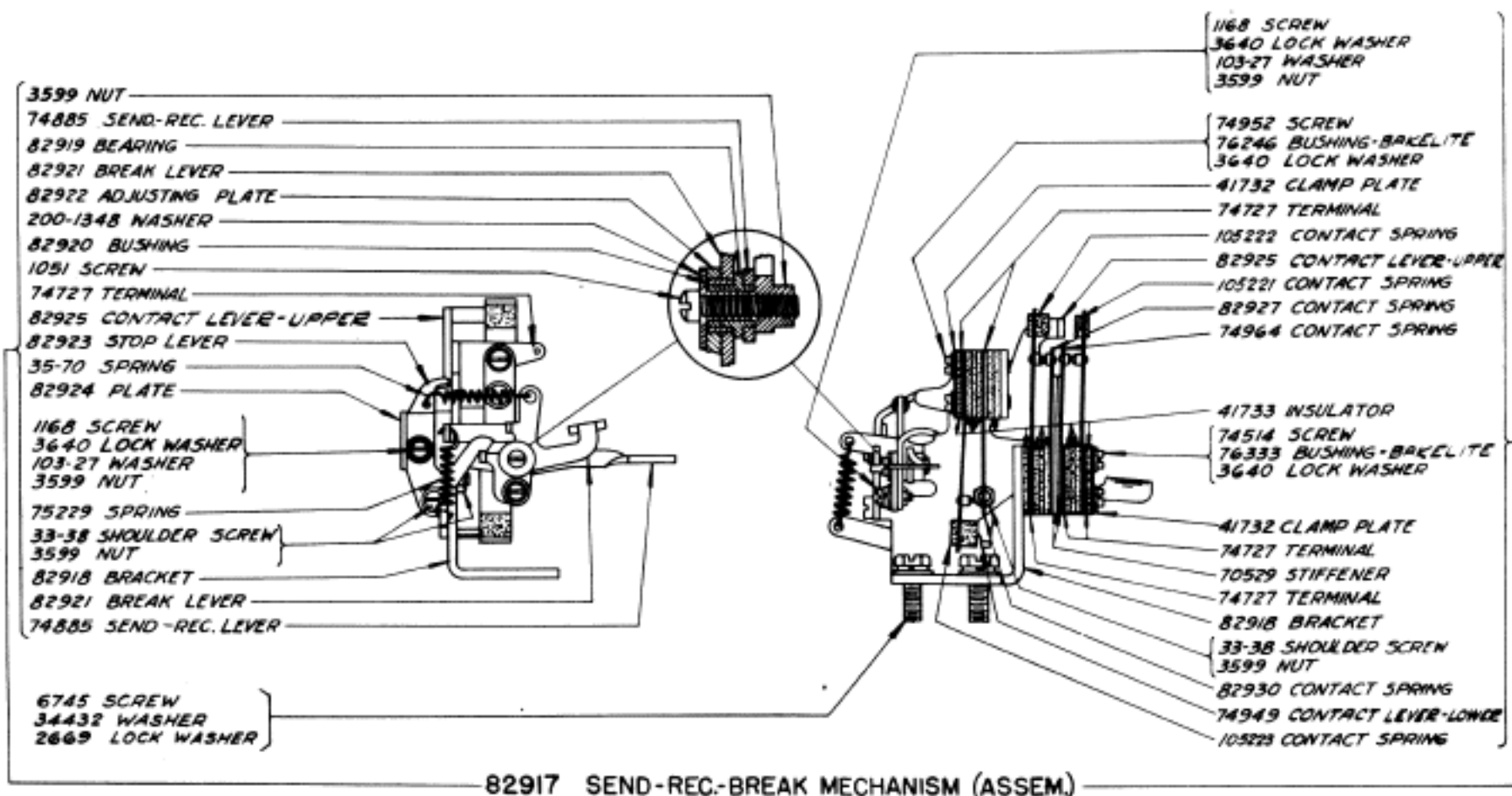
(W.D. 2076-TG-7-A)

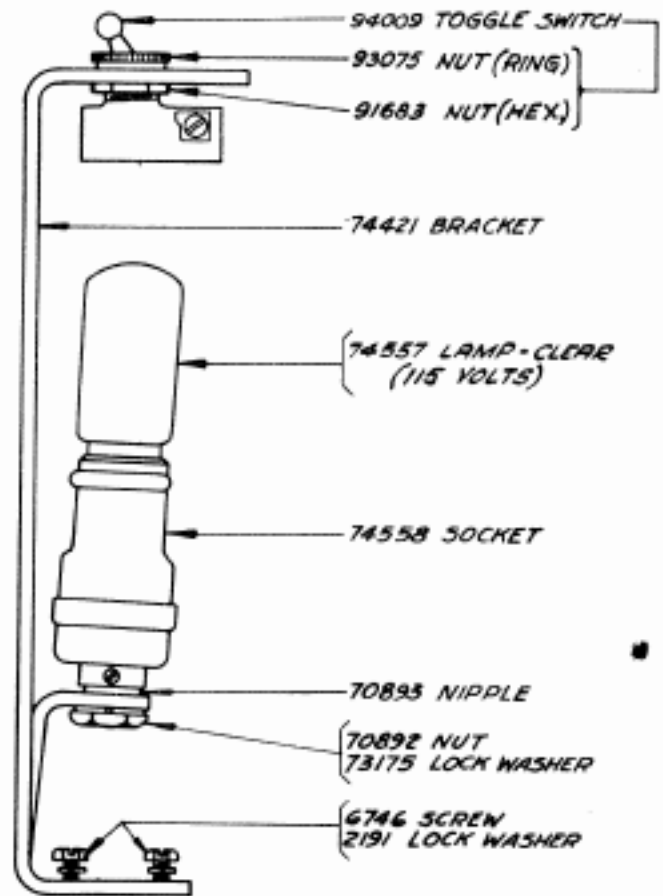
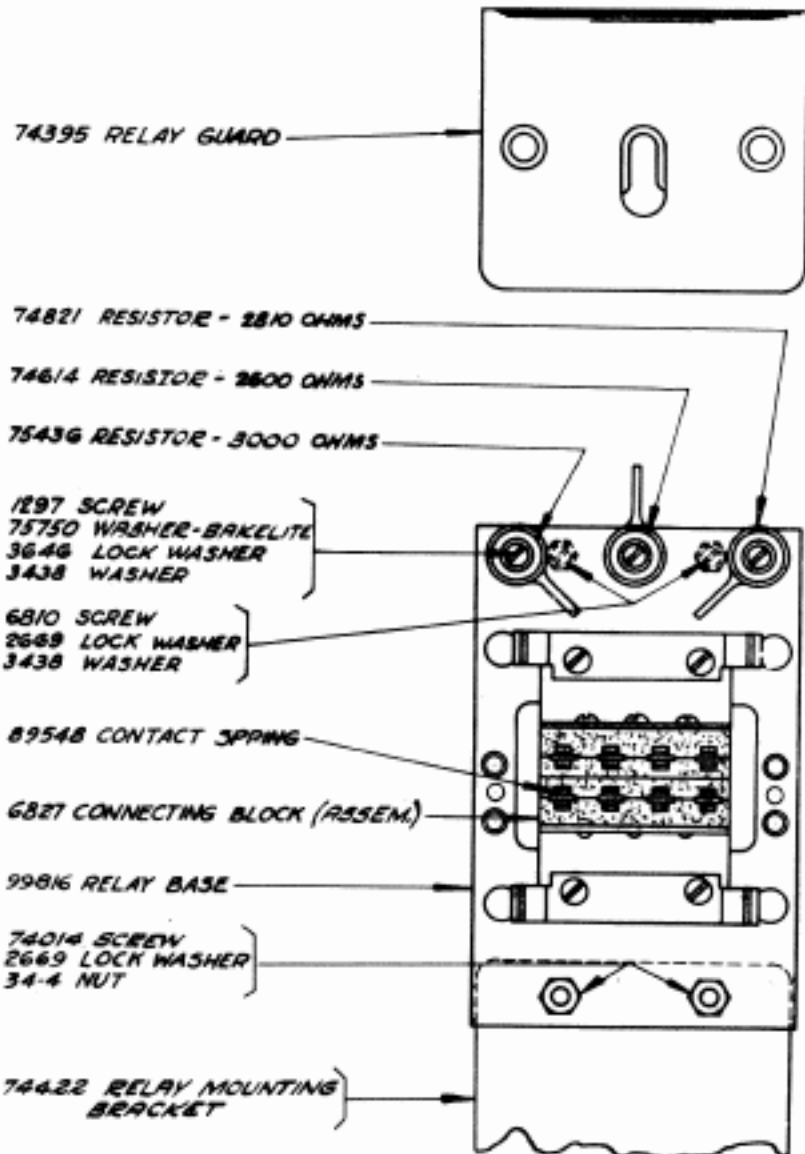
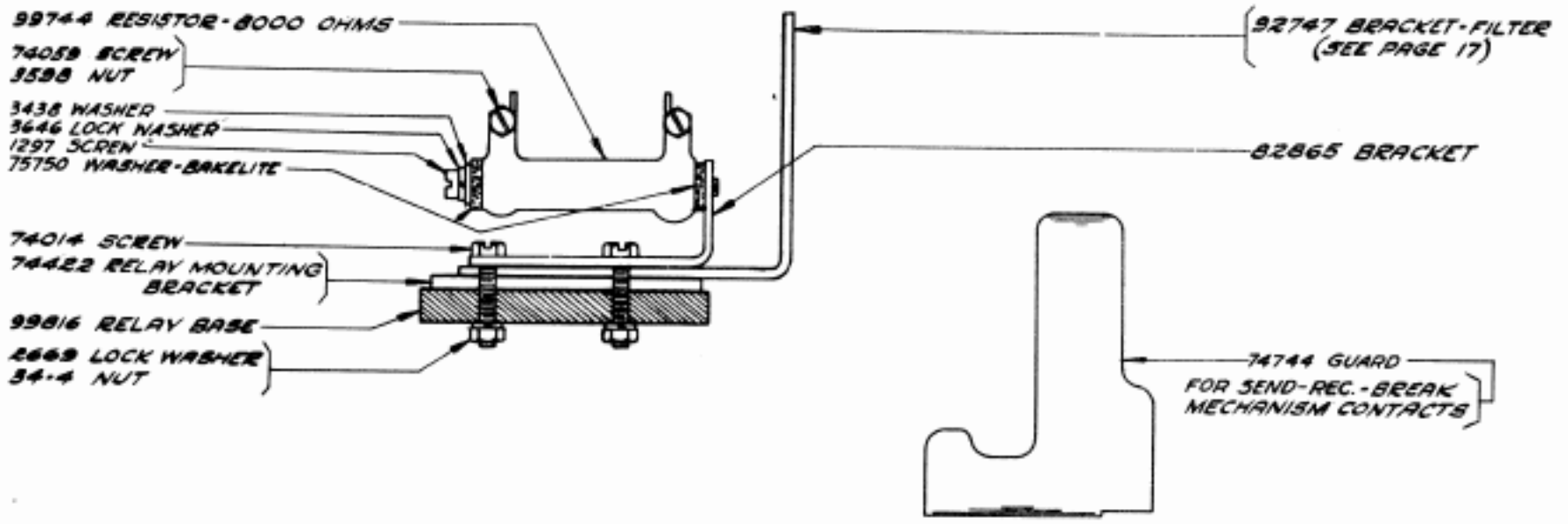
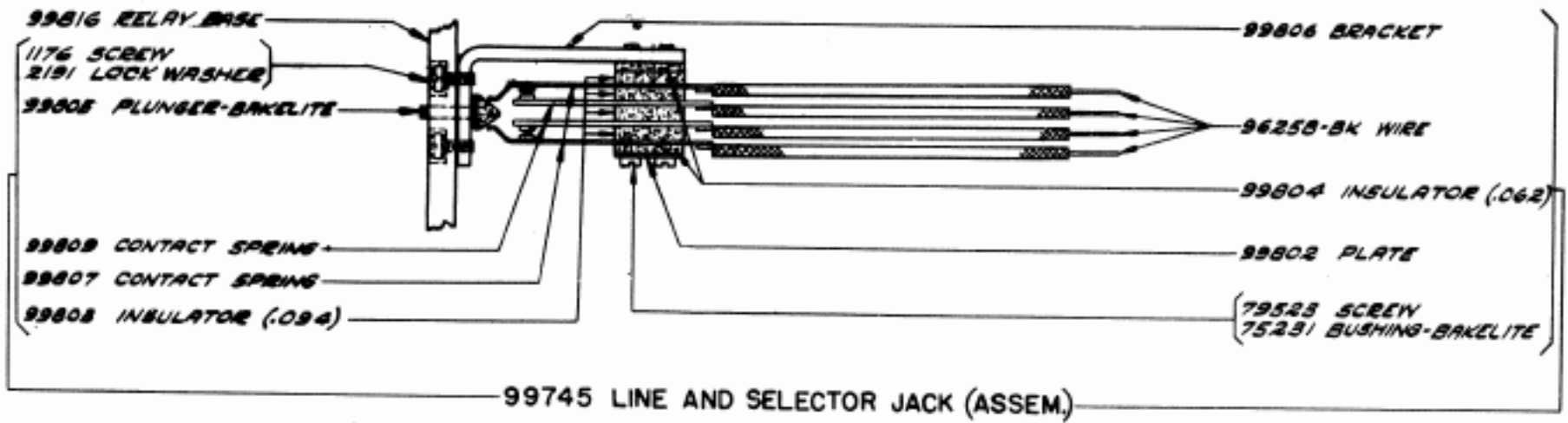
74573 POWER CABLE (IN BASE)  
74574 LINE CABLE (IN BASE)  
92814 CABLE-BASE

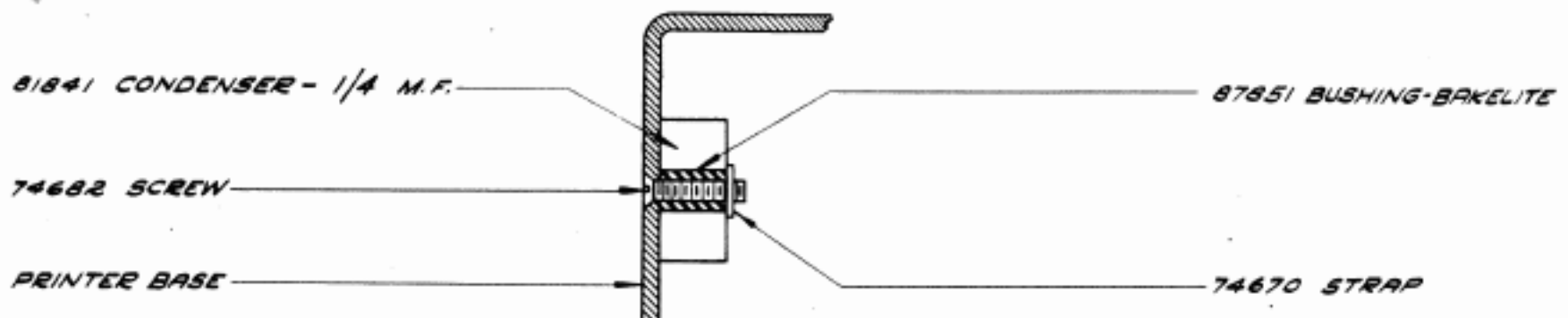
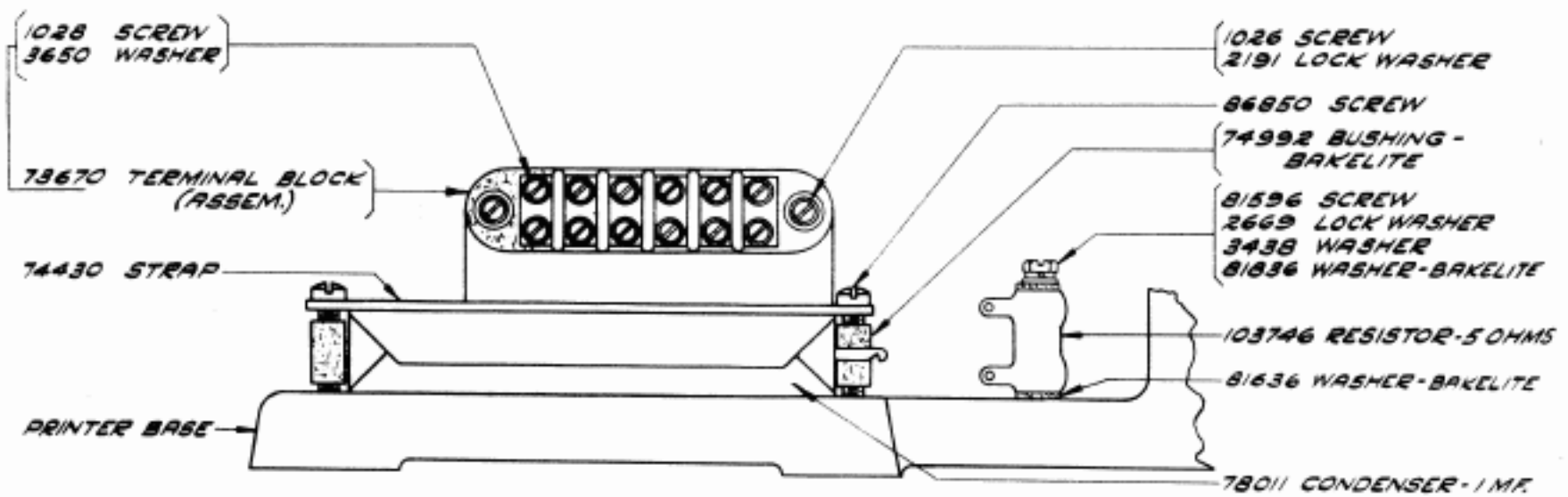
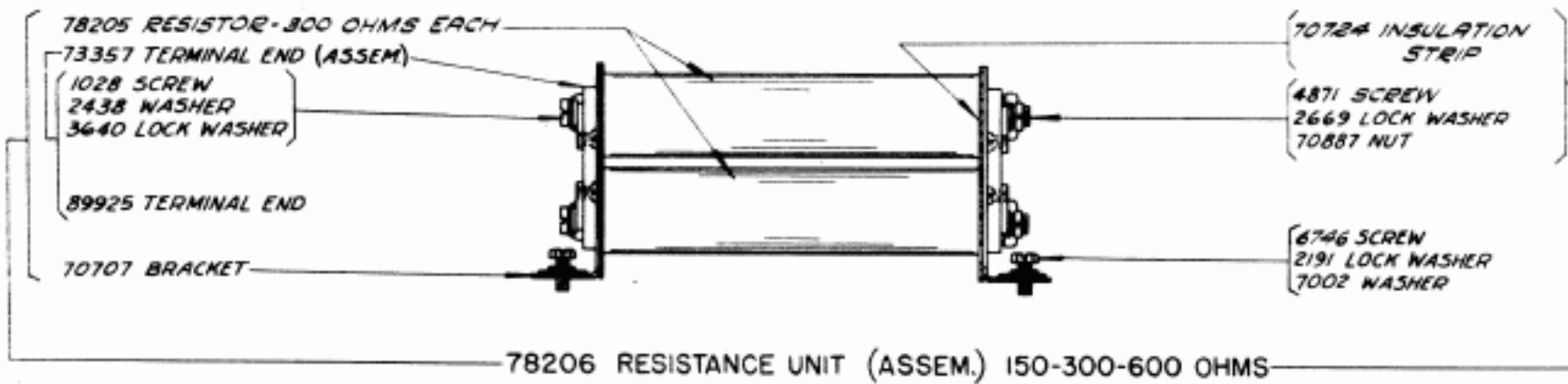
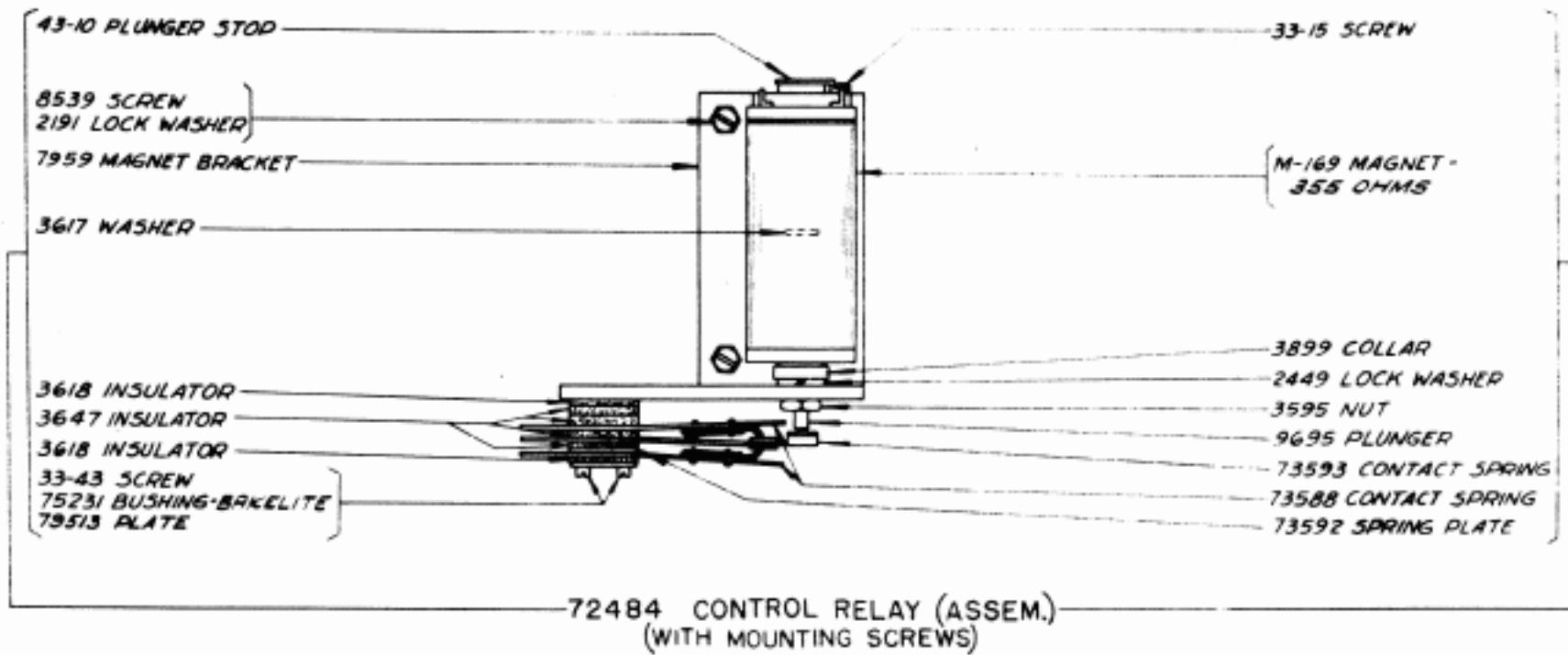
(W.D. 2159-TG-7-B)

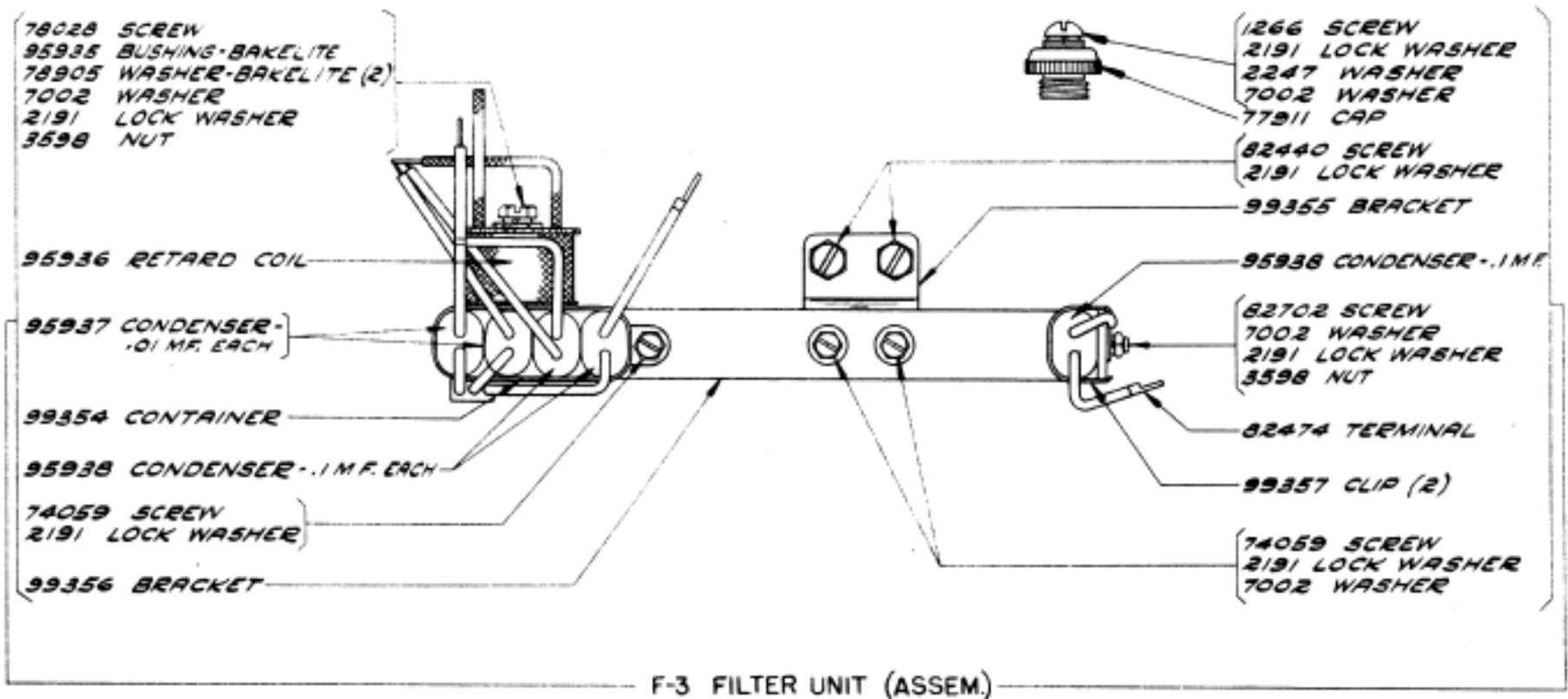
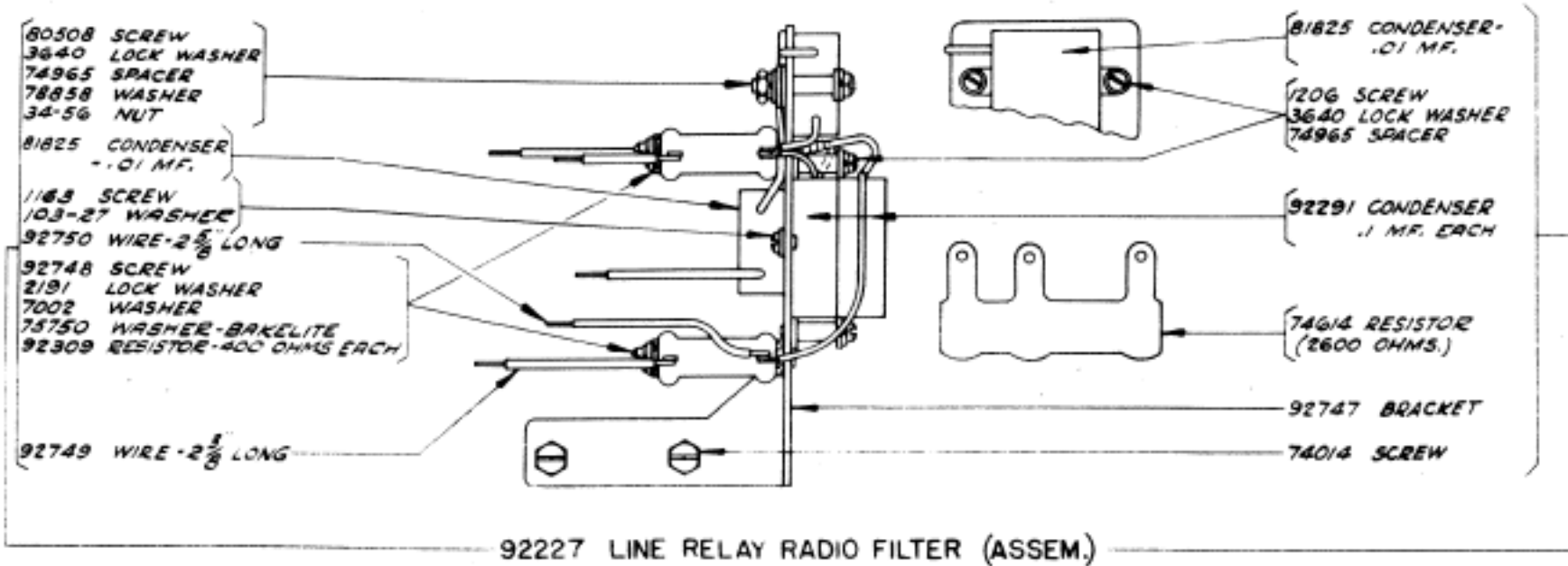
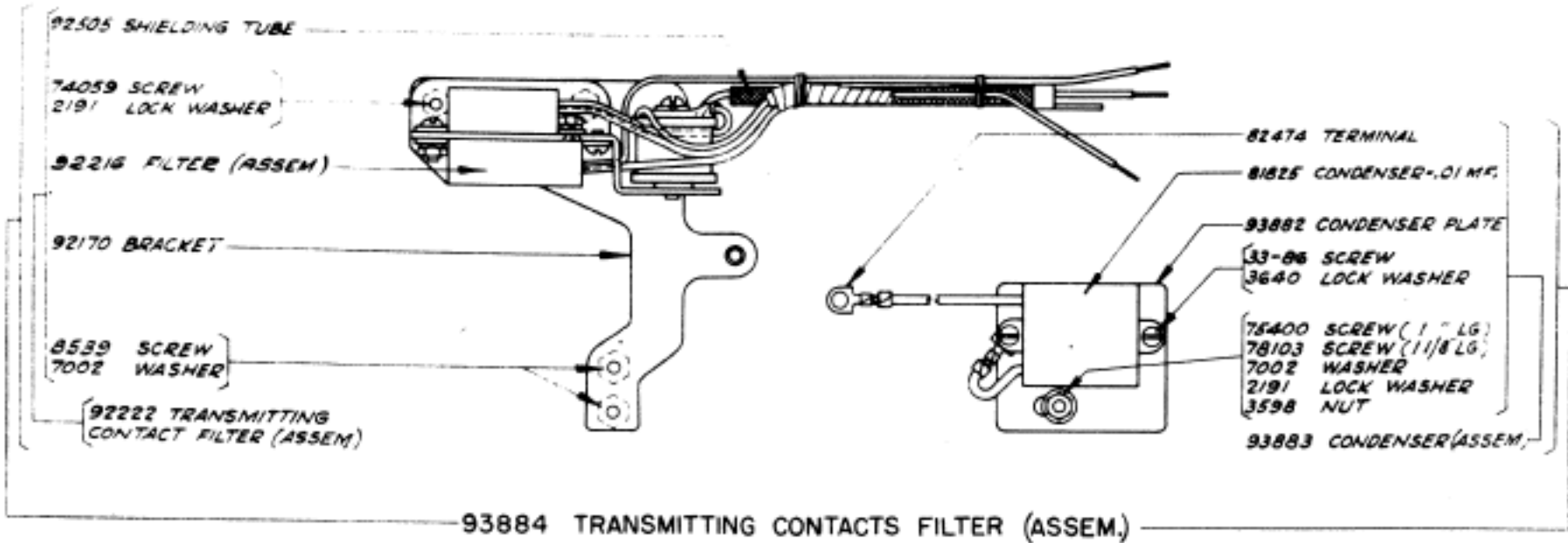
105241 POWER CABLE (IN BASE)  
105242 LINE CABLE (IN BASE)



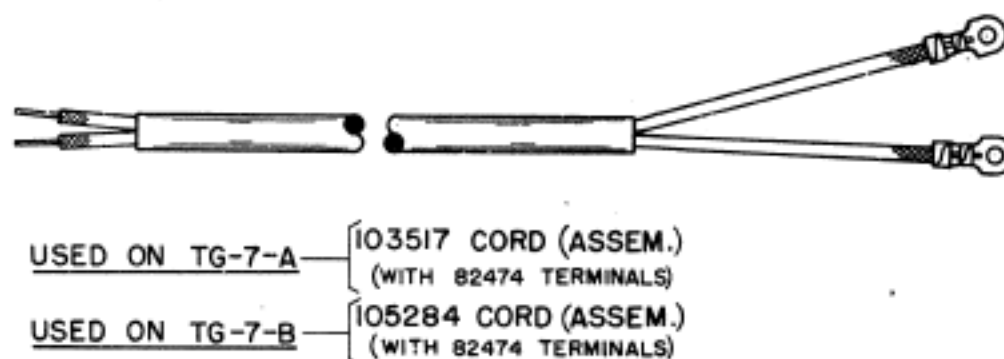
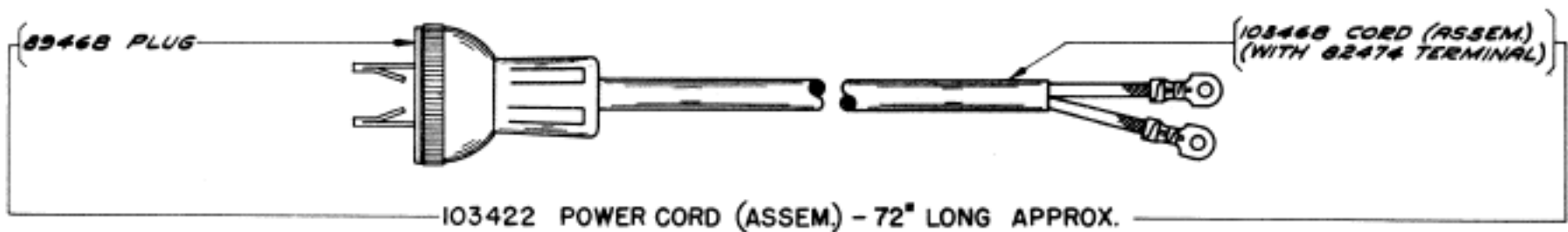
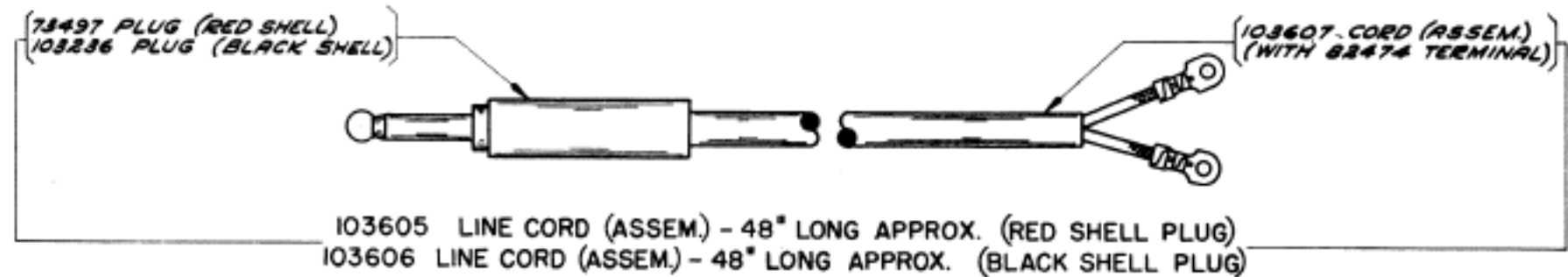
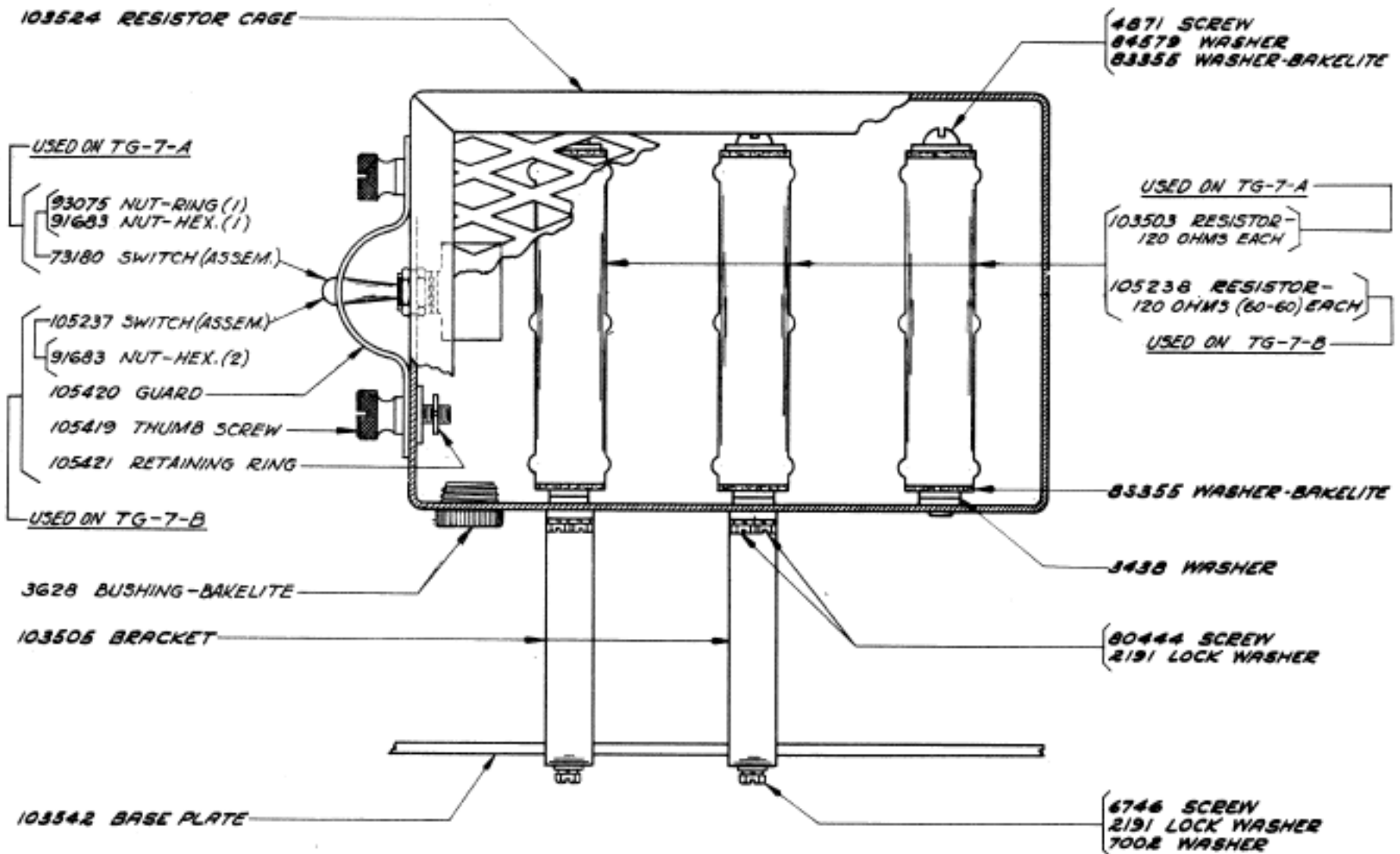


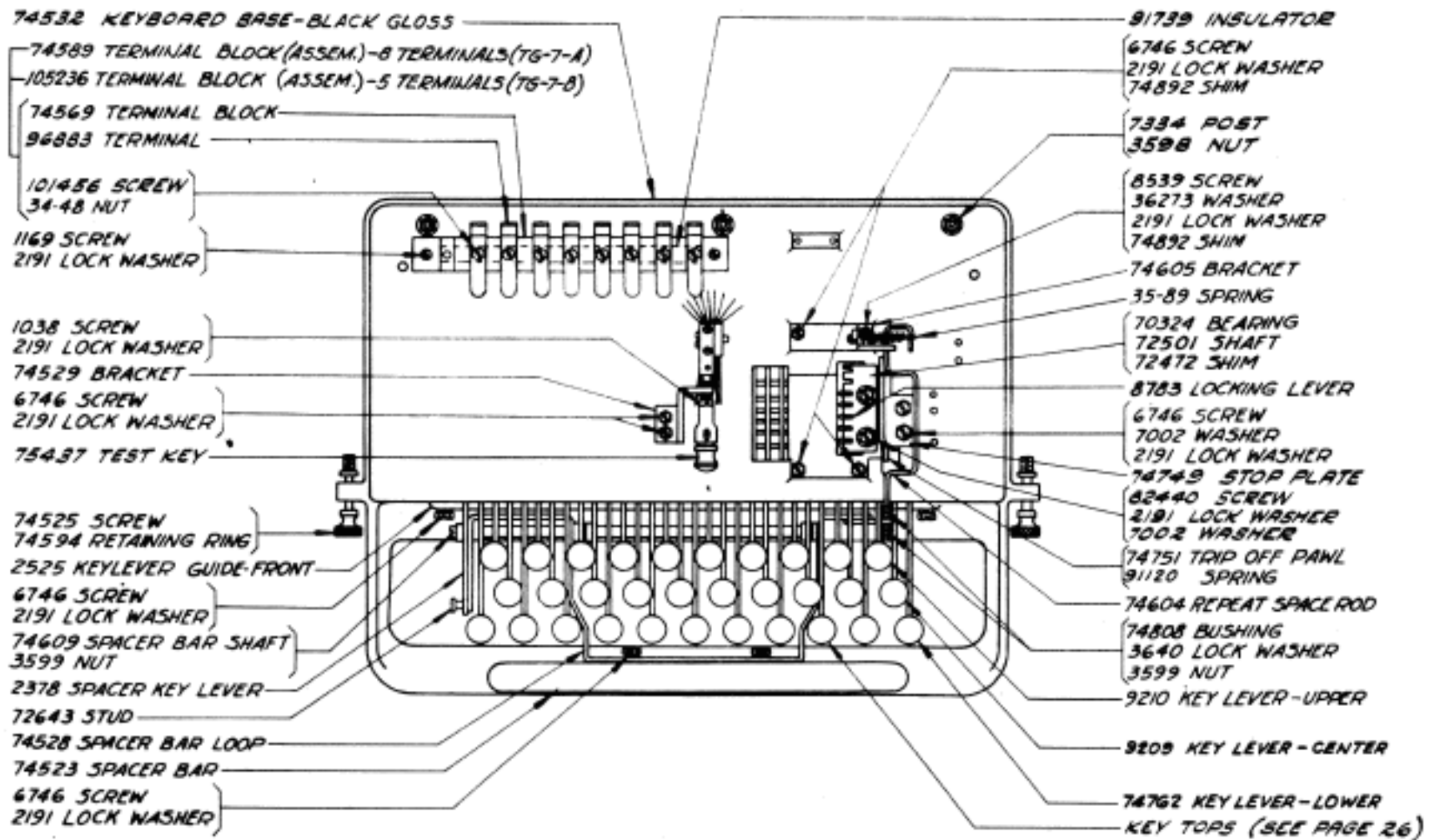




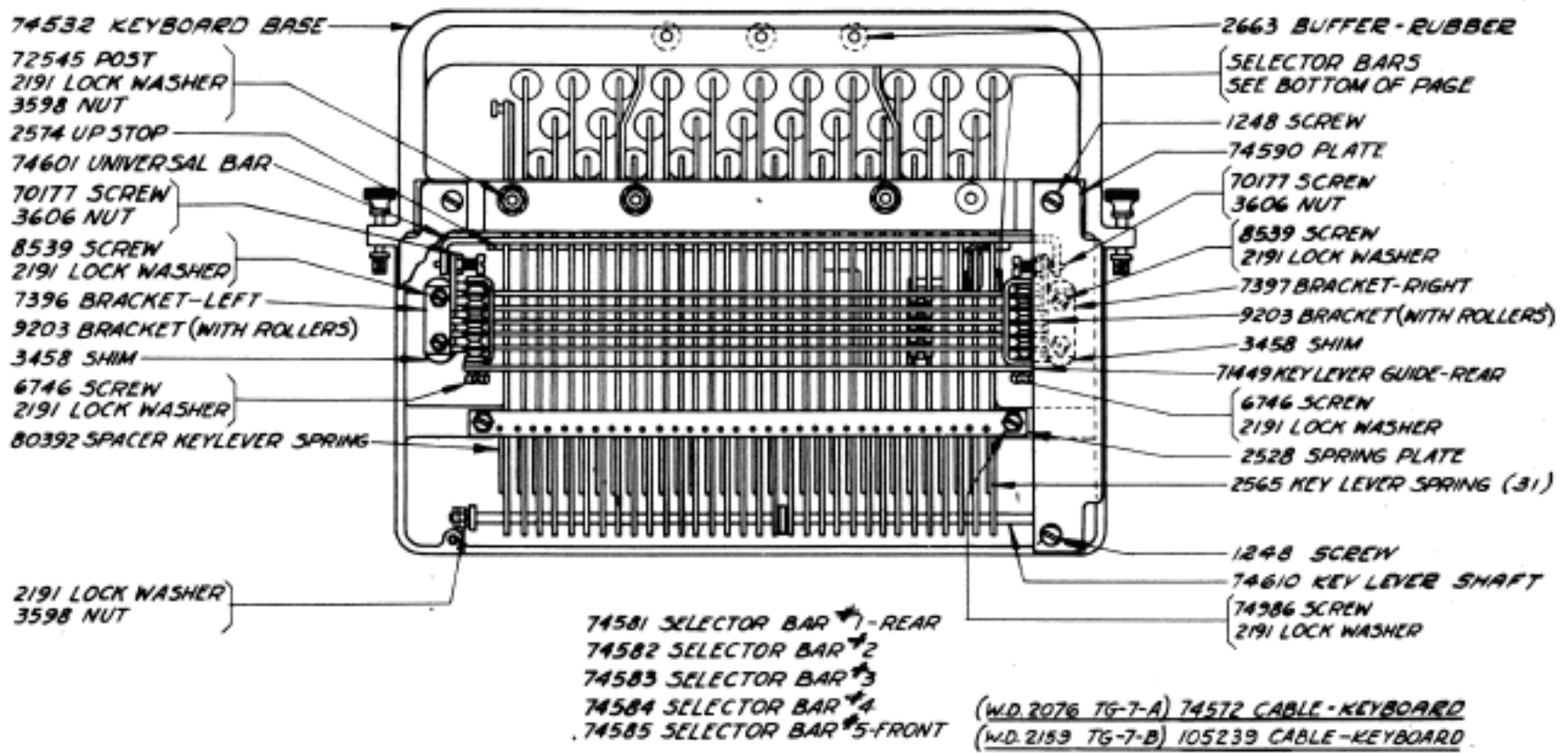




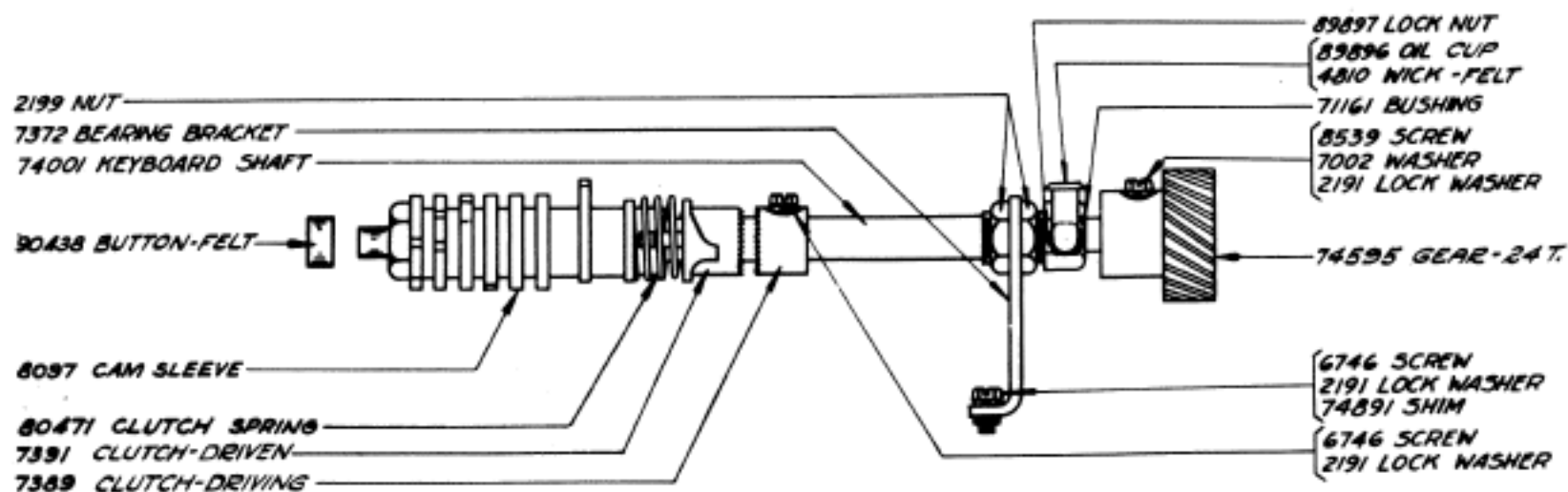
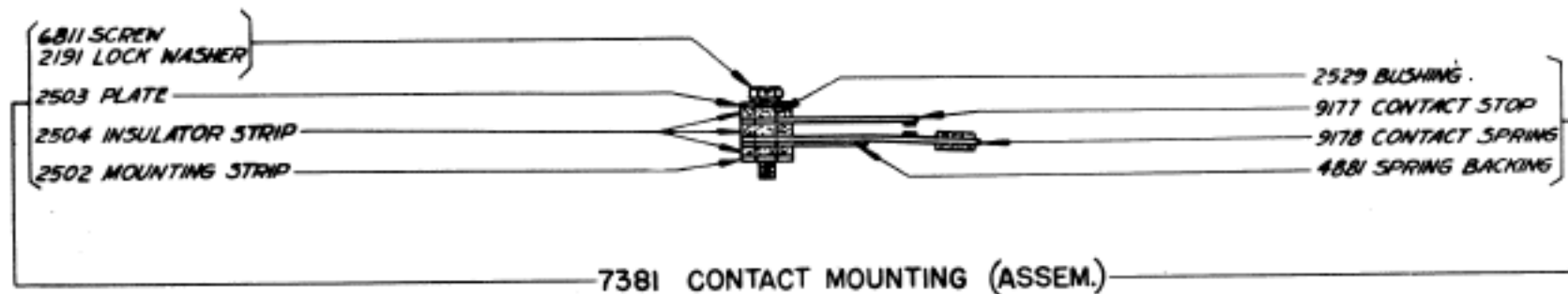
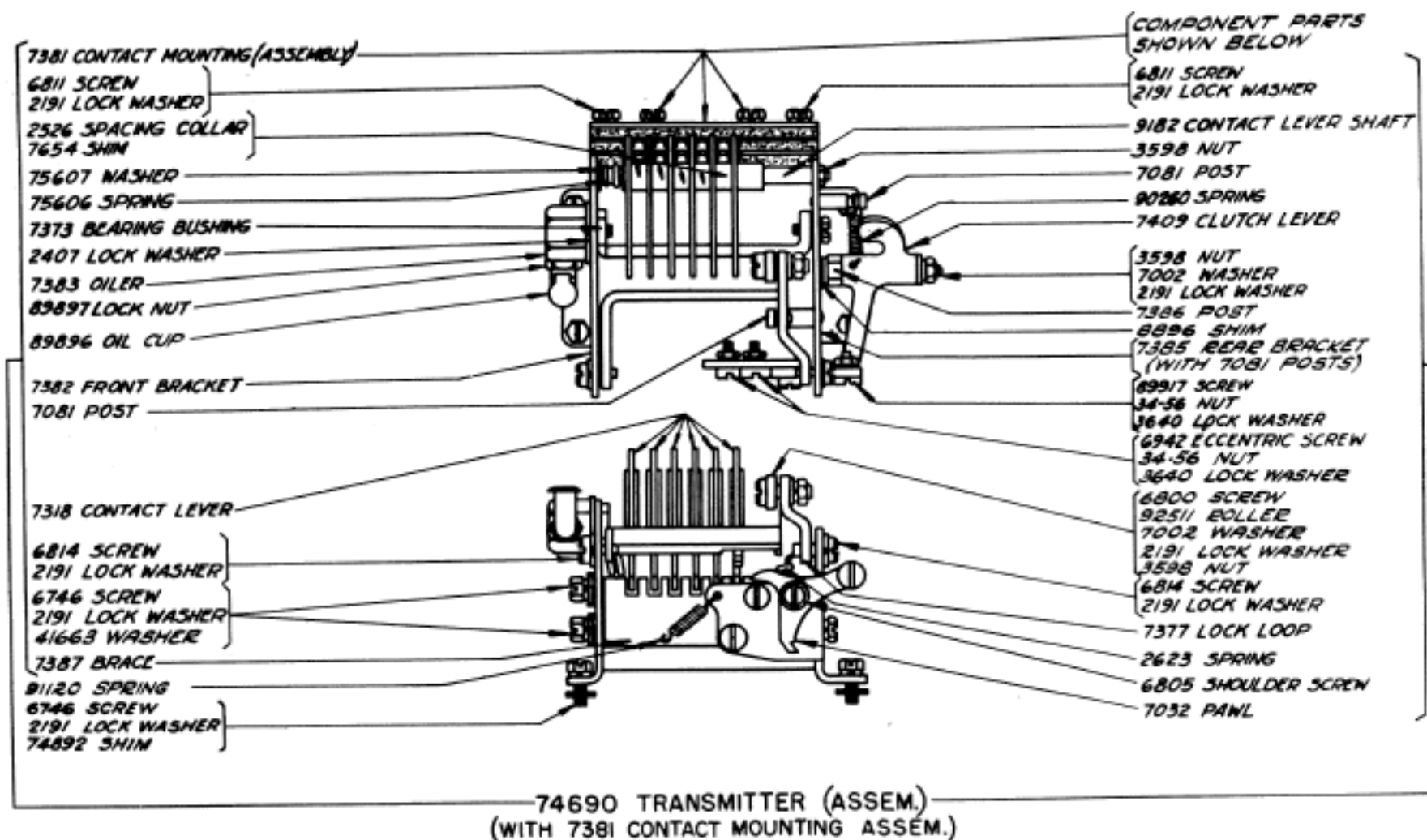


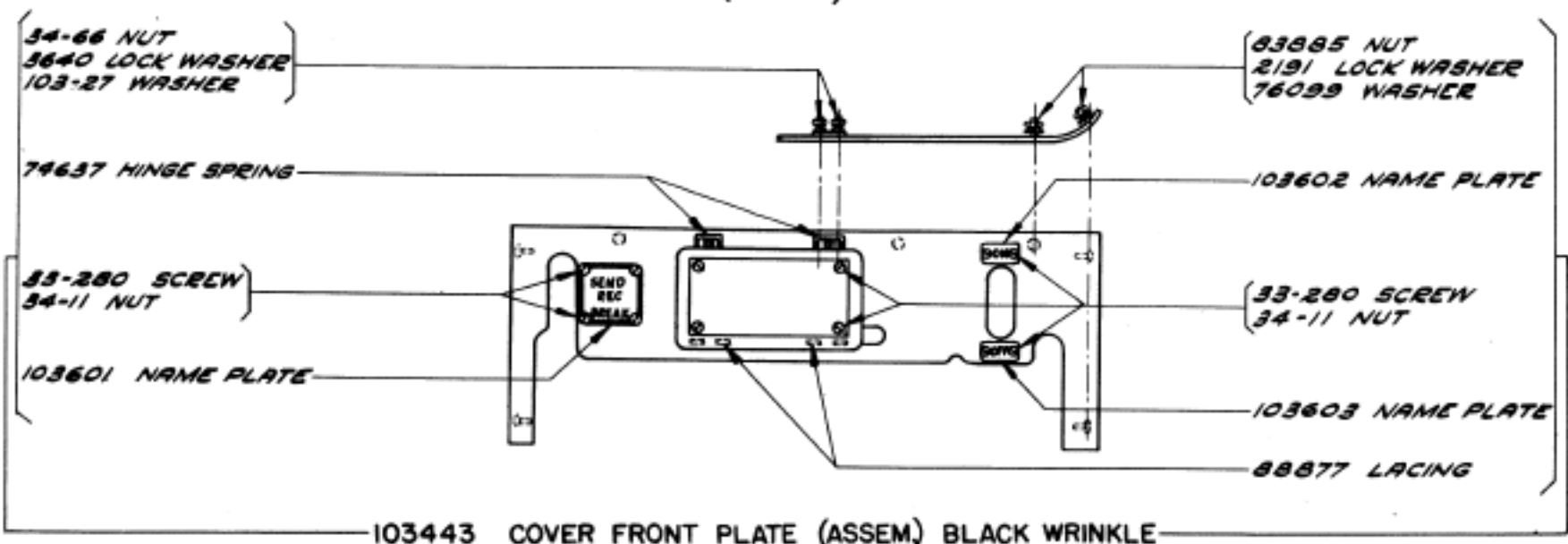
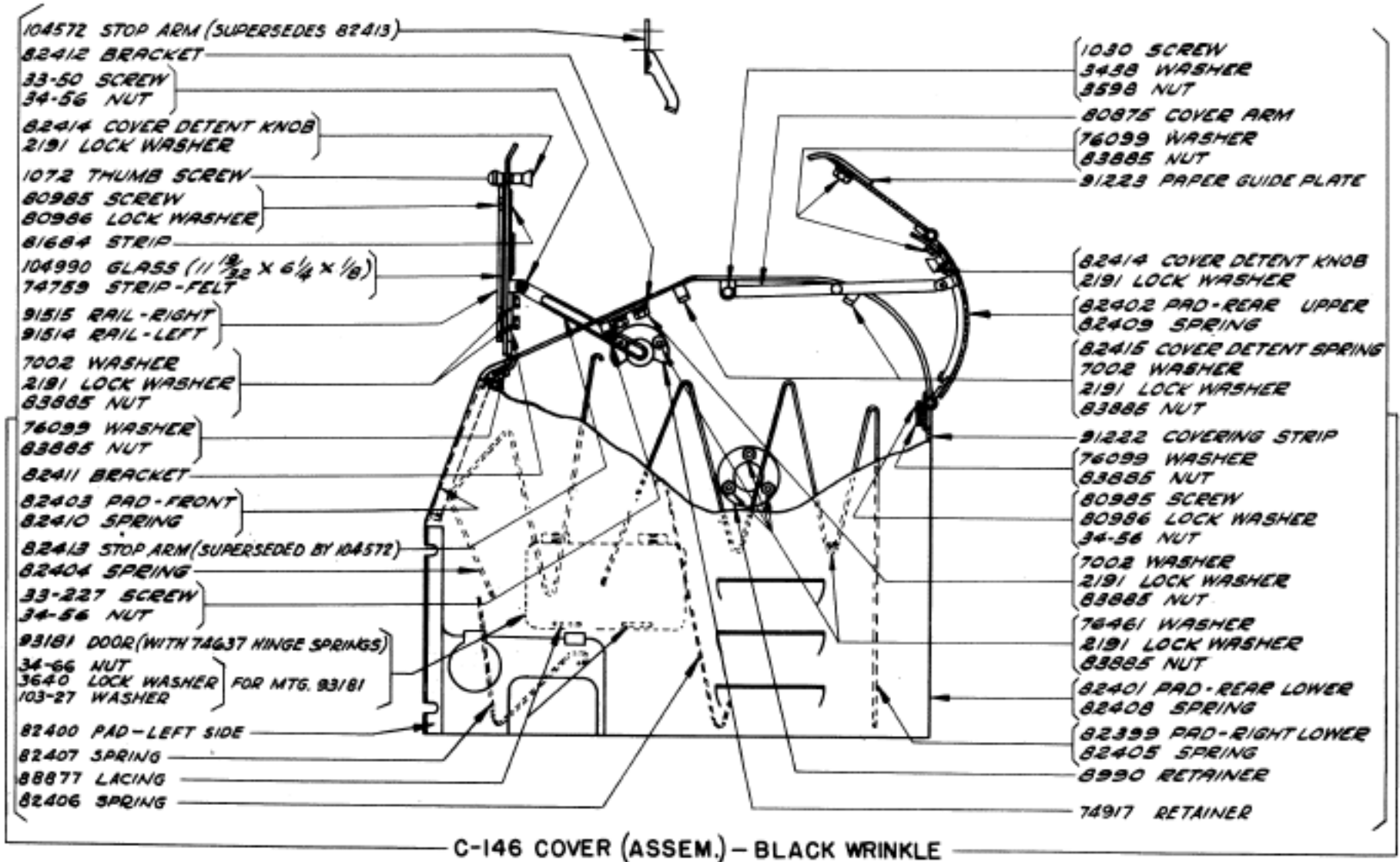
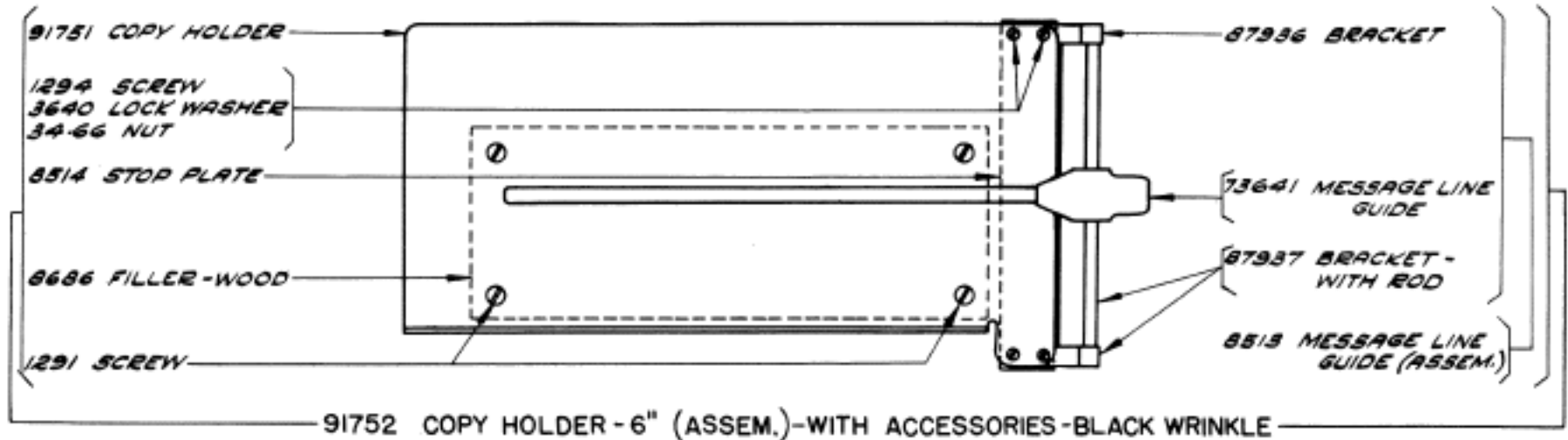


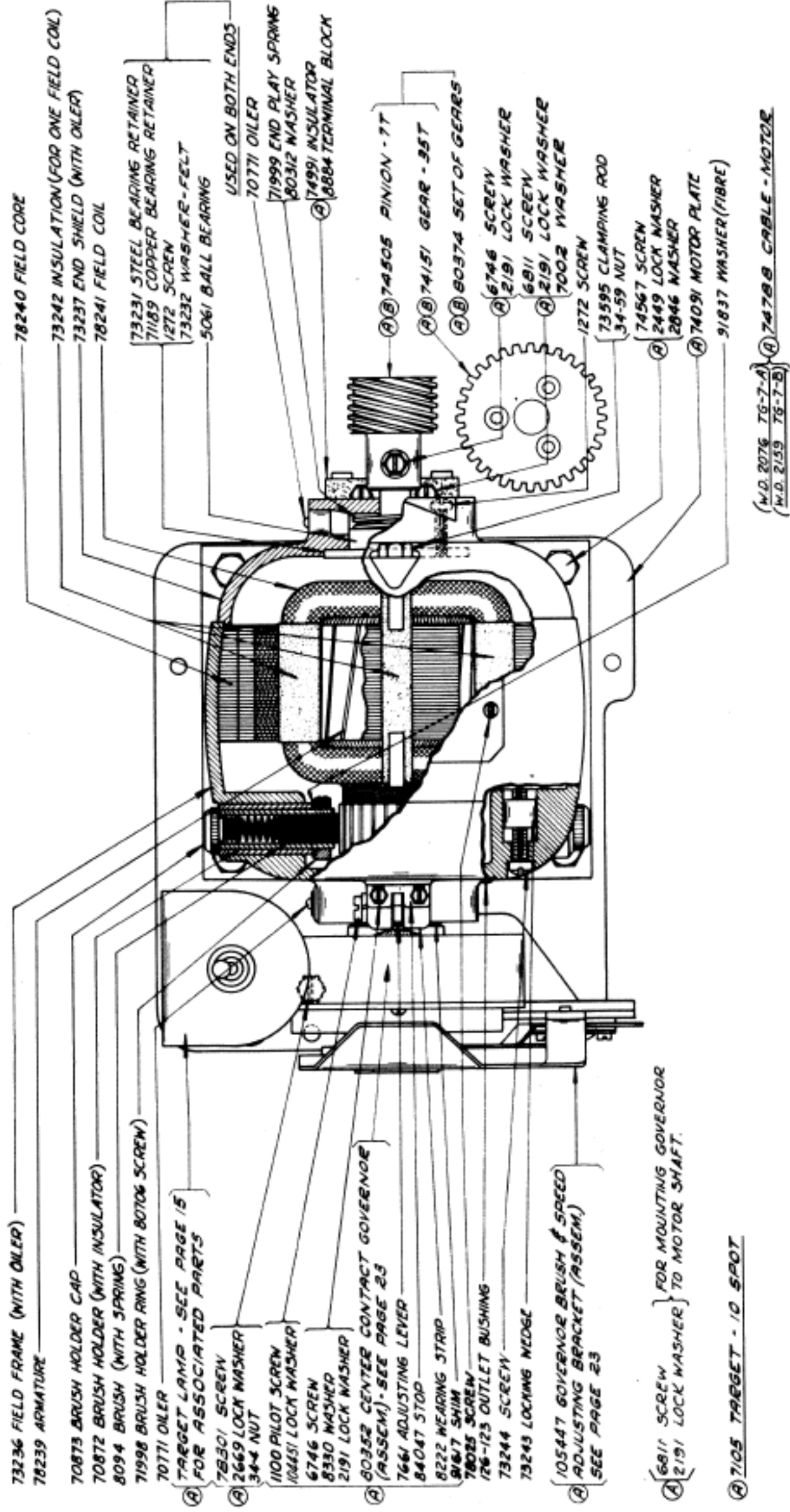
KEYBOARD BASE  
TOP VIEW



KEYBOARD BASE  
BOTTOM VIEW







77953 SERIES MOTOR, 1/25 HP., 115 V., A.C. 60 CYCLE (G. E. MODEL 32989 OR 58A65AA29), - EXCLUDES PARTS MARKED (A)

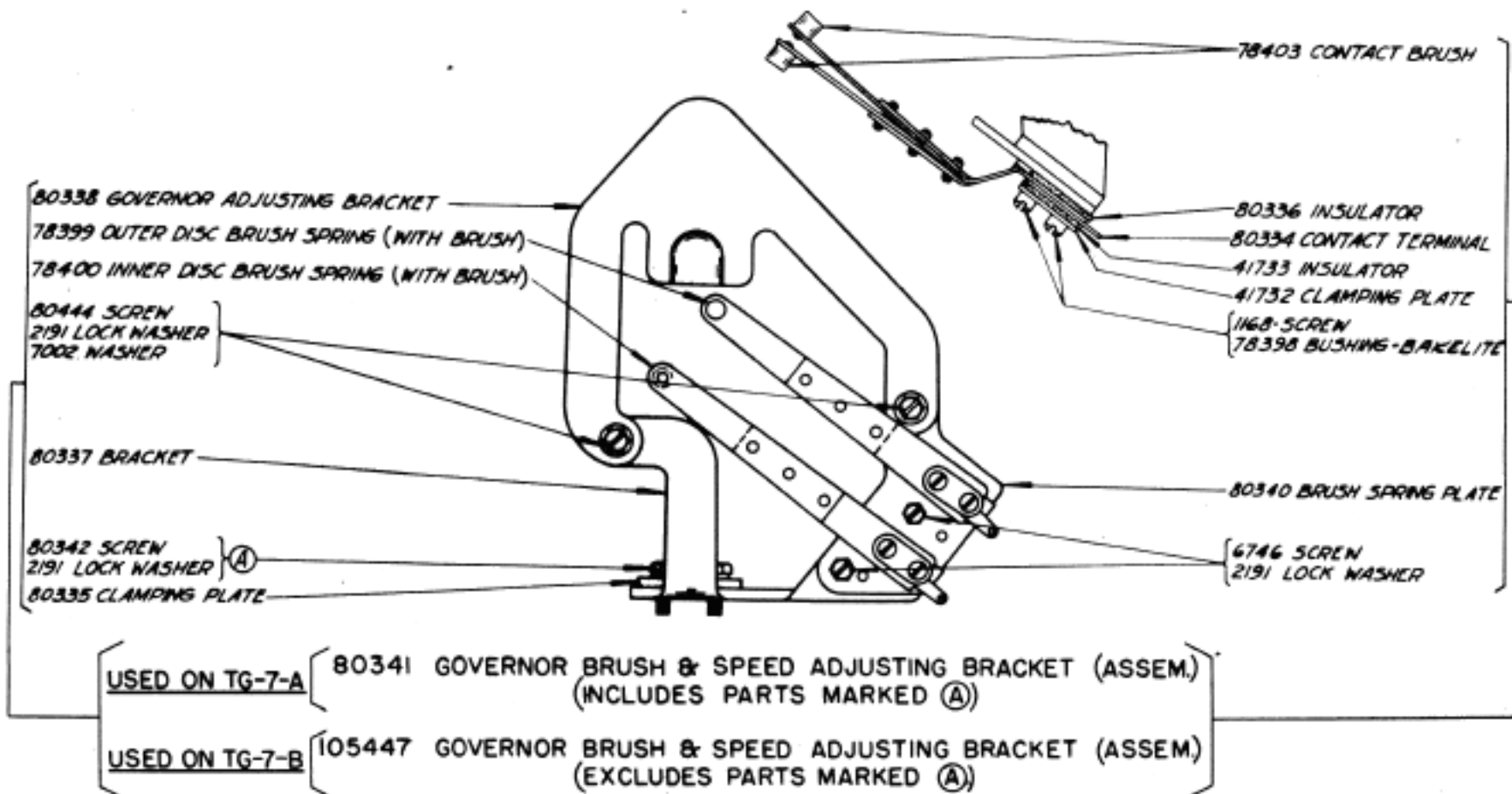
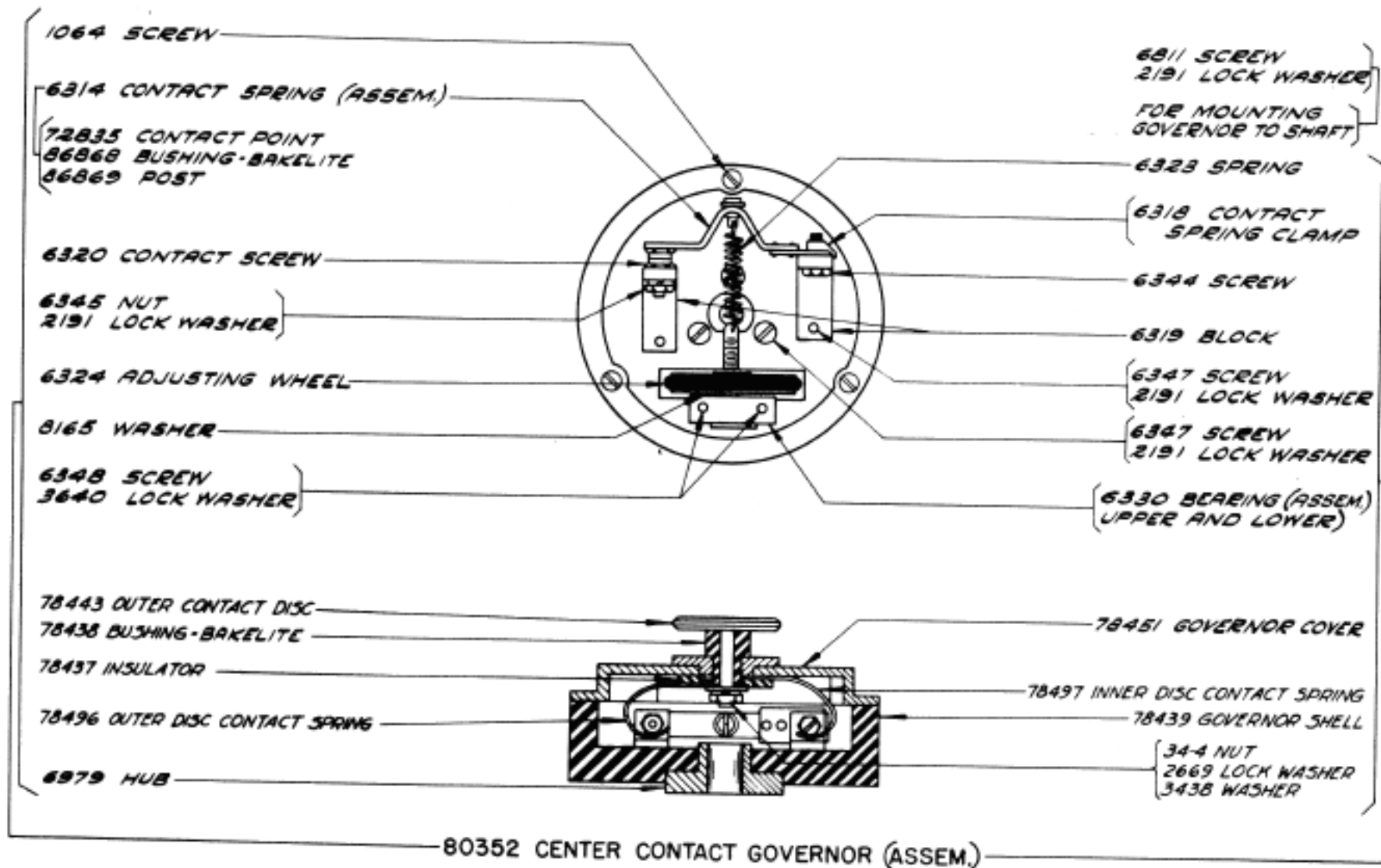
MU-27 MOTOR UNIT (ASSEM.) INCLUDES F-3 FILTER UNIT (ASSEM.) SHOWN ON PAGE 17 AND ALL PARTS LISTED ON THIS PAGE EXCEPT PARTS MARKED (B)

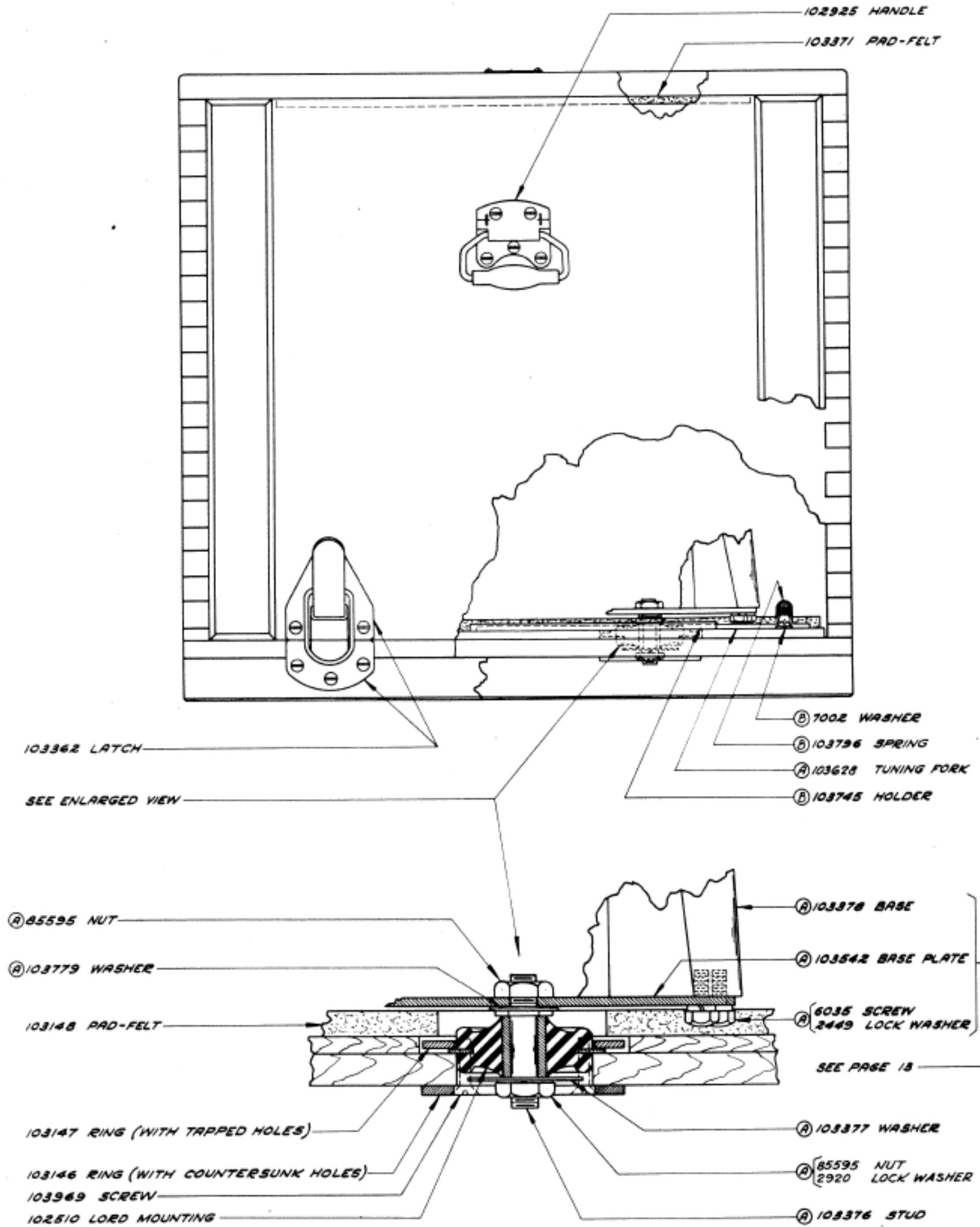
(A) 6811 SCREW } FOR MOUNTING GOVERNOR  
 (A) 2191 LOCK WASHER } TO MOTOR SHAFT.

(A) 7105 TARGET - 10 SPOT

(M.O. 2076 76-7-A) (A) 74788 CABLE - MOTOR  
 (M.O. 2159 76-7-B)



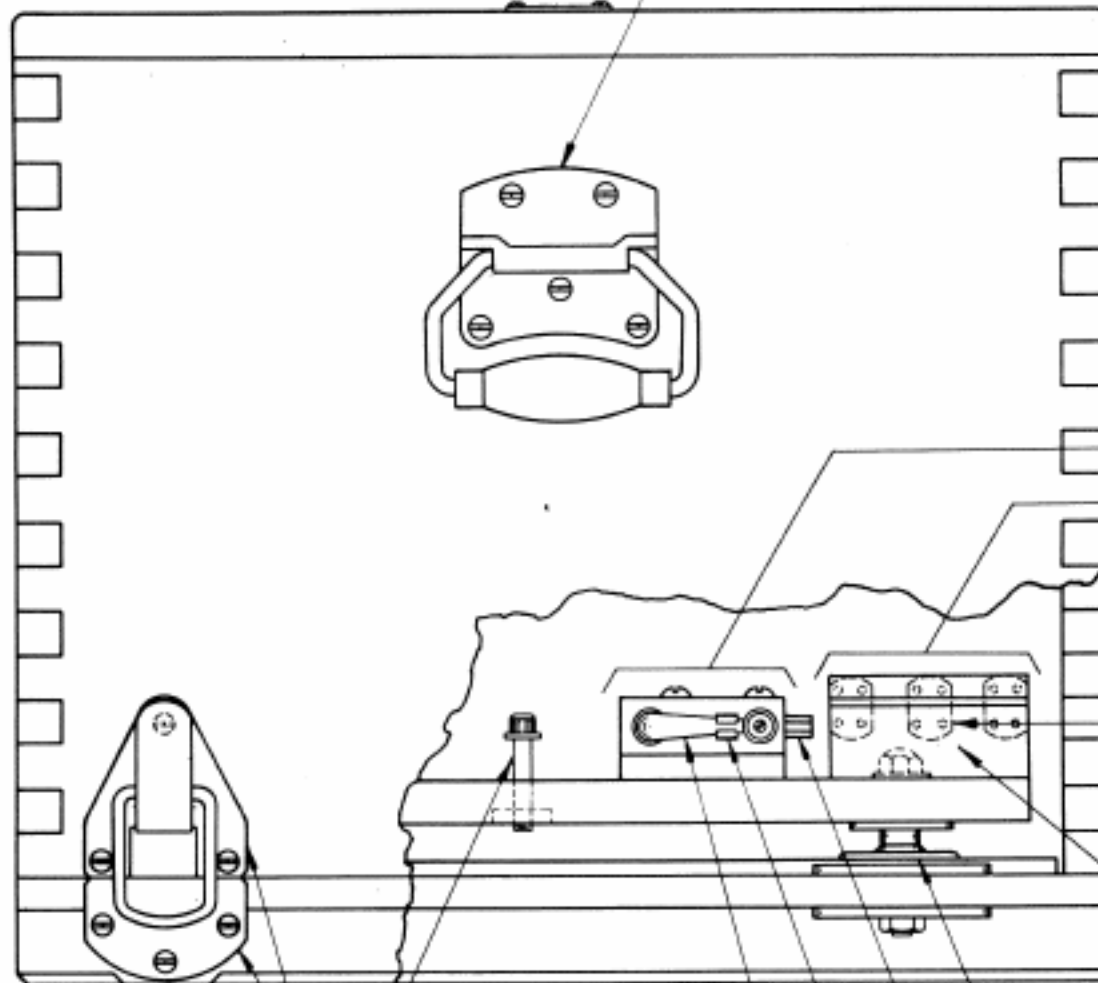




CH-50-A CHEST (ASSEM.)-TELETYPE 103370  
(EXCLUDES PARTS MARKED (A))

CH-50-B CHEST (ASSEM.)-TELETYPE 105229  
(EXCLUDES PARTS MARKED (A) & (B))

102925 HANDLE



USED ON CH-62-A

USED ON CH-62-B

(A) 105399 HINGE

ACCESSORY BOX, FOR

103620 SCREW (WITH WASHER)

103621 WRENCH

(B) 80466 PLATEN CRANK (ASSEM.)

(B) 74720 THUMB SCREW

103362 LATCH

SEE ENLARGED VIEW

(A)(B) 103620 SCREW (WITH WASHER)

(A)(B) 103621 WRENCH

(B) 103364 CLIP

(A)(B) 80466 PLATEN CRANK (ASSEM.)  
(SEE PAGE 17 FOR DETAILS)

103608 SCREW - 3" LONG  
103609 SCREW - 2 1/4" LONG  
103610 WASHER

103377 WASHER

103611 SPACER

102510 LORD MOUNTING

103147 RING (WITH TAPPED HOLES)

(103146 RING (WITH COUNTERSUNK HOLES)

103612 NUT  
2920 LOCK WASHER

103969 SCREW

103377 WASHER

CH-62-A CHEST (ASSEM.) TELETYPE 103368  
(EXCLUDES PARTS MARKED (A))

CH-62-B CHEST (ASSEM.) - TELETYPE 105367  
(EXCLUDES PARTS MARKED (B))

CODE BARS	
NO. STAMPED ON CODE BAR	CATALOG NO.
1 D	74180
2 D	74181
3 D	74182
4 D	74183
5 D	74184



**- NOTE -**  
CHECK CAREFULLY THE ARRANGEMENT OF PULLBARS IN SEGMENT AND THE ARRANGEMENT OF THE TYPE PALLETS ON THE TYPEBARS. IF THESE DIFFER IN ANY WAY WITH THE ARRANGEMENT SHOWN ON THIS PAGE, THE FOLLOWING PARTS SHOULD BE ORDERED BY NAME. FOR EXAMPLE ORDER:-  
TYPE PALLET (A-)  
TYPE BAR #17 WITH PALLET (A-)  
SPRING CUSHION KEYTOPS (A-)

103652 SET OF KEYTOPS (CONSISTS OF ALL KEYTOPS LISTED IN CHART)  
103651 SET OF TYPE BAR PALLETS (CONSISTS OF ALL TYPE BAR PALLETS LISTED IN CHART)

NUMBER OF POSITION IN SEGMENT	PULL BARS		TYPE BARS (WITHOUT PALLETS)		TYPE BAR PALLETS		TYPE BARS (WITH PALLETS)		PULL BAR SPRING	KEYTOP DESCRIPTION	SPRING CUSHION KEYTOPS CATALOG NUMBER
	DESCRIPTION	CATALOG NUMBER	NUMBER STAMPED ON TYPE BAR	CATALOG NUMBER	DESCRIP-TION	CATALOG NUMBER	NUMBER STAMPED ON TYPE BAR	CATALOG NUMBER			
1											
2											
3	STANDARD	74185	3	74203	Z "	74303	3	74643	7634	Z "	78970
4	"	74185	4	74204	K (	74304	4	74644	7634	K (	78956
5	"	74185	5	74205	B ?	74305	5	74645	7634	B ?	78947
6	"	74185	6	74206	*P Ø	36559	6	102985	7634	*P Ø	59564
7	"	74185	7	74207	Y 6	74307	7	74647	7634	Y 6	78969
8	"	74185	8	74208	M .	74308	8	74648	7634	M .	78958
9	"	74185	9	74209	U 7	74309	9	74649	7634	U 7	78965
10	"	74185	10	74210	L )	74310	10	74650	7634	L )	78957
11	"	74185	11	74211	H Ø	74311	11	74651	7634	H STOP	82607
12	"	74185	12	74212	O 9	74312	12	74652	7634	O 9	78960
13	"	74185	13	74213	I Ø	74313	13	74653	7634	I Ø	78954
14	"	74185	14	74214	N 1	74314	14	74654	7634	N 1	78959
15	"	74185	15	74215	E 3	74315	15	74655	7634	E 3	78950
16	"	74185	16	74216	T 5	74316	16	74656	7634	T 5	78964
17	"	74185	17	74217	A -	74317	17	74657	7634	A -	78946
18	"	74185	18	74218	J 1	74318	18	74658	7634	J 1	78955
19	"	74185	19	74219	R 4	74319	19	74659	7634	R 4	78963
20	"	74185	20	74220	D \$	74320	20	74660	7634	D \$	78949
21	"	74185	21	74221	C ;	74321	21	74661	7634	C ;	78948
22	"	74185	22	74222	F !	74322	22	74662	7634	F !	78951
23	"	74185	23	74223	W 2	74323	23	74663	7634	W 2	78967
24	"	74185	24	74224	G &	74324	24	74664	7634	G &	78952
25	"	74185	25	74225	V ;	74325	25	74665	7634	V ;	78966
26	"	74185	26	74226	Q I	74326	26	74666	7634	Q I	78962
27	"	74185	27	74227	X /	74327	27	74667	7634	X /	78968
28	"	74185	28	74228	S 1	74328	28	74668	7634	S BELL	78980
										FIGS.	78972
										LTRS.	78973
										CAR. RET.	78976
										LINE FEED	78978
										BLANK	78971

\* P Ø SUPERSEDES P O

NUMERICAL INDEX

C-146	Cover (Assem.) Black Wrinkle, 21	1248 1266	Screw (6-40 x 1/2), 5,7,19 Screw (6-32 x 7/16), 17	6319 6320	Block, 23 Screw (6-32 Contact), 23
CH-50-A	Chest (Assem.) (Teletype 103370), 13,24	1269 1272	Screw (6-40 x 1/2), 8 Screw (6-40 x 11/16), 22	6323 6324	Spring, 23 Adjusting Wheel, 23
CH-50-B	Chest (Assem.) (Teletype 105229), 13,24	1291 1294	Screw (6-32 x 3/4), 21 Screw (4-36 x 1/2), 21	6330 6330	Bearing (Assem.) - Upper and Lower, 23
CH-62-A	Chest (Assem.) (Teletype 103368), 25	1297	Screw (6-40 x 2-7/16), 15	6344	Screw (6-32 x 11/32), 23
CH-62-B	Chest (Assem.) (Teletype 105367), 25	2034 2191	Washer, 9 Lock Washer, 1 to 23	6345 6347	Nut (6-32 Hex.), 23 Screw (6-32 x 3/8), 23
F-3	Filter Unit (Assem.), 17	2199	Nut (7/16-32 Hex.), 20	6348	Screw (4-36 x 3/4), 23
M-169	Magnet - 355 Ohms, 16	2201	Nut (5/16-32 Hex.), 12	6685	Sword, 9
M-177	Magnet Coil - 105 Ohms, 9	2247	Washer, 17	6689	Separator Plate, 9
MU-27	Motor Unit (Assem.), 22	2248	Pin, 8	6706	Magnet Bracket, 9
33-15	Screw (2-56 x 1/8), 16	2291	Contact Spring - Lower, 13	6745	Screw (10-32 x 1/2), 1, 2,4,6,7,10 to 14
33-38	Screw (4-40 Shoulder), 7,14	2322	Lock Washer, 1,5,10,11	6746	Screw (6-40 x 5/16), 1, 2,4,5,6,9,10,11,12,15, 16,18,19,20,22,23
33-41	Screw (6-40 Shoulder), 5,11	2378	Spacer Key Lever, 19		Shim, 6
33-43	Screw (2-56 x 3/4), 16	2382	Lock Washer, 1		Screw (6-40 Shoulder), 9
33-50	Screw (4-40 Shoulder), 21	2407	Lock Washer, 20	6760	Screw (6-40 Shoulder), 1, 2,4,8,11,20
33-86	Screw (4-40 x 1/8), 17	2438	Washer, 16	6799	Screw (4-40 Pilot), 9
33-111	Screw (2-56 x 9/64), 10	2449	Lock Washer, 1,4,5,11,13, 16,24	6800	Screw (6-40 Shoulder), 1, 11,20
33-168	Screw (6-40 Pilot), 10		Ball, 10,11	6801	Screw (10-32 x 3/8), 1,2, 5,7,13,14,15
33-170	Screw (4-40 Shoulder), 10	2451	Mounting Strip, 20	6805	Screw (6-40 x 5/8), 1,2, 3,4,8,9,13,14,20,22,23
33-179	Screw (8-32 x 3/8), 13	2502	Plate, 20		Screw (6-40 Pilot), 9,20
33-227	Screw (4-40 Shoulder), 8,21	2503	Insulator Strip, 20	6810	Connecting Block, 15
33-280	Screw (2-56 x 3/16), 21	2504	Key Lever Guide - Front, 19		Trip Latch, 9
33-344	Screw (10-32 x 3/4), 2	2525	Spacing Collar, 20	6811	Bell Crank, 9
34-1	Nut (1/4-32 Hex.), 5,9,10,11	2526	Spring Plate, 19		Spacer Collar, 12
34-4	Nut (10-32 Hex.), 1,2, 4 to 11,13,15,22,23	2528 2529	Bushing, 20	6814	Washer - Felt, 3
34-10	Nut (8-40 Hex.), 11	2539	Nut (3/8-32 Hex.), 1,2	6827	Cam Sleeve Disc, 3
34-11	Nut (2-56 Hex.), 9,21	2565	Key Lever Spring, 19	6830	Stop Lever, 9
34-48	Nut (6-32 Hex.), 19	2574	Upstop, 19	6850	Spring Post, 5,6,11
34-51	Nut (6-40 Hex.), 5	2623	Spring, 20	6859	Screw (4-40 Eccentric), 9,20
34-56	Nut (4-40 Hex.), 4,8,9,17, 20,21	2663 2666	Buffer - Rubber, 19	6861	Eccentric Stop, 9
34-59	Nut (10-32 Hex.), 22	2669	Lock Washer, 11	6863	Nut (3/8-32 Hex.), 8
34-66	Nut (4-36 Hex.), 21		Lock Washer, 1 to 8, 10 to 16, 22,23	6909	Clutch Throwout Lever, 9
35-70	Spring, 14	2719	Washer, 7	6940	Hub, 23
35-89	Spring, 19	2846	Washer, 13,22	6942	Spacer, 12
36-150	Dowel, 1,2,6	2920	Lock Washer, 13,24,25	6966	Screw (1/4-32 Pilot), 9
43-10	Plunger Stop, 16	2924	Contact Spring - Upper, 13	6970	Clutch Spring, 3
103-27	Washer, 8,10,11,14,17,21	3106	Turnbuckle, 1	6971	Post, 9
122-26	Washer, 9	3110	Nut (10-32 Hex.), 1	6979	Washer, 9,12
122-29	Dowel, 1,2	3131	Link End - Short, 1	6987	Washer, 2,4 to 14, 16 to 24
122-67	Spring Post, 8	3288	Washer, 12	7007	Trip Plunger, 9
123-244	Washer, 1,8	3298	Eccentric Stop, 4,9	7022	Reverse Lever - Left, 11
126-123	Outlet Bushing, 22	3339	Nut (9/16-32 Hex.), 7	7023	Reverse Lever - Right, 11
200-1348	Washer, 14	3340	Lock Washer, 7	7024	Reverse Pawl - Left, 11
1010	Screw (6-40 Shoulder), 11	3438	Washer, 5,6,15,16,18, 21,23	7025	Reverse Pawl - Right, 11
1020	Screw (6-40 x 1/4), 3		Shim, 19	7032	Pawl, 20
1026	Screw (6-40 x 3/8), 5,6, 8,11,13,16	3458 3571	Bushing - Bakelite, 7	7036	Collar, 8
1028	Screw (4-40 x 1/4), 13,16	3595	Nut (1/4-32 Hex.), 1,5,16	7044	Link, 11
1030	Screw (6-40 Shoulder), 9,21	3598	Nut (6-40 Hex.), 1,4,5,7 to 13,15,17,19,20,21	7081	Post, 20
1035	Screw (4-40 x 3/8), 7		Nut (4-40 Hex.), 7,8,10,11, 14,19	7093	Terminal Block, 14
1038	Screw (6-40 x 9/32), 19	3599	Nut (1/4-32 Hex.), 1,4	7094	Connection Spring, 13,14
1051	Screw (4-40 x 1/2), 14		Nut (6-40 Hex.), 11,12,19	7095	Spring Plate, 13,14
1064	Screw (6-32 x 1/4), 23	3603	Washer, 16	7096	Bushing - Bakelite, 13,14
1072	Screw (6-40 Thumb), 21	3606	Insulator, 7,16	7105	Target - 10 Spots, 22
1073	Screw (6-40 Thumb), 9	3617	Bushing - Bakelite, 18	7318	Contact Lever, 20
1097	Screw (4-40 x 15/32), 7	3618	Lock Washer, 2,4,7,8,9,10, 11,14,16,17,19,20,21,23	7334	Post, 19
1100	Screw (1/4-32 Pilot), 22	3628	Lock Washer, 7,15	7372	Bearing Bracket, 20
1160	Screw (6/40 x 5/16), 4,6, 9,12,13	3640	Insulator, 7,16	7373	Bearing Bushing, 20
1161	Screw (6-40 x 1/4), 1,7, 8,10,12	3646 3647	Washer, 5	7377	Lock Loop, 20
1162	Screw (4-40 x 1/4), 8,9, 10,11	3649 3650	Washer, 13,16	7381	Contact Mounting (Assem.), 20
1163	Screw (4-40 x 3/16), 17	3897	Bushing, 14	7382	Front Bracket, 20
1166	Screw (4-36 x 1/4), 13	3899	Collar, 16	7383	Oiler, 20
1168	Screw (4-40 x 5/16), 2,10, 11,14,23	4293 4323	Insulator, 13,14	7385	Rear Bracket (with 7081 Posts), 20
1169	Screw (6-40 x 7/16), 19	4703	Ball, 3	7386	Post, 20
1174	Screw (4-40 Shoulder), 11	4810	Spring, 11	7387	Brace, 20
1176	Screw (6-40 x 3/16), 8,15	4812	Wick - Felt, 20	7389	Clutch - Driving, 20
1193	Screw (10-32 x 7/8), 13	4814	Wick - Felt (3/8" Long), 4	7391	Clutch - Driven, 20
1196	Screw (6-40 Shoulder), 1, 5,8,10	4852 4871	Lock Washer, 12,13 Lock Washer, 5	7396	Bracket - Left, 19
1206	Screw (4-40 x 9/16), 17	4881	Screw (3/16-24 x 4), 16,18	7397	Bracket - Right, 19
1208	Screw (10-32 x 5/8), 4, 5,14	5061 5446	Spring Backing, 20 Ball Bearing, 22	7398	Spring Plate, 13,14
1222	Screw (2-56 x 1/2), 7	5599	Screw (6-40 x 9/16), 5	7399	Spring Stiffener, 13,14
1224	Screw (6-40 Special), 13	6035	Nut (8-32 Hex.), 13	7409	Clutch Lever, 20
1226	Screw (6-40 x 3/8), 4,13	6314	Screw (1/4-20 x 5/8), 13,24	7602	Spring, 9
1245	Screw (10-32 x 1), 2,5,13	6318	Contact Spring Assem.), 23 Contact Spring Clamp, 23		



NUMERICAL INDEX

7603	Spring, 9	71659	Screw (6-40 Shoulder), 2	74043	Selector Vane #2, 6
7607	Collar, 9	71681	Ribbon Spool - Empty, 12	74044	Selector Vane #3, 6
7612	Spring, 9	71696	Range Scale (with Bell Crank Mounting), 9	74045	Selector Vane #4, 6
7614	Spring, 9	71697	Clamping Plate, 9	74046	Selector Vane #5, 6
7615	Spring, 9	71976	Stop Lever Plate, 9	74049	Screw (4-40 Shoulder), 9
7634	Spring, 10,11,26	71998	Brush Holder Ring (with 80706 Screw), 22	74050	Margin Bell Cam, 2
7654	Shim, 20	71999	End Play Spring, 22	74051	Lever, 2
7661	Adjusting Lever, 22	72472	Shim, 19	74053	Slip Connection Mounting Plate (Assem.), 14
7678	Screw (4-40 Pilot), 8	72484	Control Relay (Assem.) (with Mounting Screws), 16	74055	Roller, 1
7679	Roller, 8	72501	Shaft, 19	74056	Retaining Plate, 1,2
7835	Ribbon - Black, 12	72508	Screw (6-40 x 3/4), 13	74058	Detent Lever, 1
7959	Magnet Bracket, 16	72509	Lock Washer, 5,8	74059	Screw (6-40 x 7/32), 6, 8,13,15,17
8094	Brush (with Spring), 22	72513	Driving Disc, 3	74061	Clutch, 3
8097	Cam Sleeve, 20	72514	Spring, 3	74062	Track - Lower, 10
8157	Selector Lever - Right, 9	72515	Nut (5/16-32 Hex.), 3	74066	Shift Link Bracket, 4
8158	Selector Lever - Left, 9	72516	Retaining Disc, 3	74068	Latch Bar, 5
8165	Washer, 23	72517	Nut (5/16-32 Special), 3	74069	Reset Bar, 5
8184	Washer, 8	72521	Oil Wick - Felt, 3	74071	Clutch Fork, 5
8222	Wearing Strip, 22	72545	Post, 19	74072	Operating Lever, 5
8330	Washer, 10,11,22	72562	Clutch - Driving, 3	74076	Screw (1/4-32 Shoulder), 1
8451	Terminals, 9	72563	Washer - Felt, 3	74077	Screw (10-32 Shoulder), 1,4
8470	Post, 9	72643	Stud, 19	74078	Latch Link, 5
8472	Locking Wedge, 9	72644	Ball Bearing, 3	74079	Line Feed Bail, 1
8507	Cam Sleeve, 3	72835	Contact Point, 23	74080	Shift Link, 4
8508	Armature, 9	73175	Lock Washer, 1,2,15	74081	Line Feed Push Bar, 1
8511	Locking Lever, 9	73180	Switch (Assem.), 18	74082	Shift Lever, 1
8513	Message Line Guide (Assem.), 21	73231	Steel Bearing Retainer, 22	74083	Vertical Link, 1
8514	Stop Plate, 21	73232	Washer - Felt, 22	74085	Washer - Felt, 3
8539	Screw (6-40 x 1/2), 3,4, 8 to 14, 16, 17, 19, 20	73236	Field Frame (with Oiler), 22	74089	Printing Bail Arm, 4
8543	Screw (6-40 x 1/4), 8	73237	End Shield (with Oiler), 22	74091	Motor Plate, 13,22
8671	Screw (6-40 Shoulder), 9	73242	Insulation (for One Field Coil), 22	74095	Spacing Collar, 4
8686	Filler - Wood, 21	73243	Locking Wedge, 22	74096	Space Pawl - Front, 4
8783	Locking Lever, 19	73244	Screw (10-32 x 7/8), 22	74097	Space Pawl - Rear, 4
8884	Terminal Block, 4,22	73276	Screw (6-40 Shoulder), 5	74098	Shaft, 4
8896	Shim, 4,12,20	73357	Terminal End (Assem.), 16	74099	Ball Retainer Ring, 3
8990	Retainer, 21	73427	Shim, 10	74100	Washer - Leather, 3
9177	Contact Stop, 20	73497	Plug (Red Shell), 18	74101	Oil Plug, 3
9178	Contact Spring, 20	73588	Contact Spring, 7,16	74107	Bearing, 4
9182	Contact Lever Shaft, 20	73592	Spring Plate, 16	74109	Function Lever #5 - Universal, 6
9203	Bracket (with Rollers), 19	73593	Contact Spring, 7,16	74110	Post, 5
9209	Key Lever - Center, 19	73595	Clamping Rod, 22	74111	Shaft, 1
9210	Key Lever - Upper, 19	73641	Message Line Guide, 21	74112	Screw (10-32 Pilot), 4
9695	Plunger, 16	73670	Terminal Block (Assem.), 13,16	74119	Bail Shaft Bearing, 1
34432	Washer, 1,2,4,5,7,9,10, 11,12,14	74001	Keyboard Shaft, 20	74121	Latch Bell Crank, 5
35826	Washer, 1	74003	Selector Mounting Plate (with Posts), 9	74122	Screw (6-40 x 3/4), 4
35858	Margin Bell, 2	74005	Shaft, 6	74124	Spacing Cross Bar (Assem.), 5
36273	Washer, 11,19	74006	Bushing, 10	74126	Support, 10
41341	Platen Crank, 7	74008	Roller, 10	74127	Function Lever #12 - Line Feed, 6
41342	Screw (8-40 x 1-1/4), 7	74009	Pawl Latch, 9	74128	Function Lever #3 - Figures, 6
41543	Ball Bearing, 5	74010	Roller, 10	74129	Function Lever #11 - Letters, 6
41663	Washer, 20	74011	Screw (6-40 Shoulder), 1,8	74130	Function Lever #9 - Space, 6
41675	Washer, 8,11,12	74013	Printing Bail Blade, 4	74131	Function Lever #2 - Car. Ret., 6
41732	Clamping Plate, 14,23	74014	Screw (10-32 x 3/4), 6,13, 14,15,17	74132	Spacing Gear - 6T, 3
41733	Insulator, 14,23	74015	Spring, 4	74133	"T" Lever #1, 9
43954	Bell, 5	74016	Post, 1,2	74134	"T" Lever #2, 9
45104	Spring, 8	74017	Screw (6-40 Shoulder), 4,5	74135	"T" Lever #3, 9
46092	Nut (10-32 Hex.), 1	74018	Piston Rod, 1	74136	"T" Lever #4, 9
55063	Spring, 8	74019	Spring Plate, 6	74137	"T" Lever #5, 9
55088	Spring, 4,5	74020	Screw (6-40 Eccentric), 8	74138	Function Lever #4 - Bell, 6
70177	Screw (6-40 Pilot), 19	74021	Bell Crank #1, 12	74140	Printing and Function Cam, 3
70324	Bearing, 19	74022	Bell Crank #2, 12	74142	Cylinder Head, 1
70529	Stiffener, 14	74023	Bell Crank #3, 12	74143	Ball Bearing Retainer, 5
70593	Screw (6-40 Thumb), 2	74024	Bell Crank #4, 12	74144	Spacing Pawl Arm, 4
70707	Bracket, 16	74025	Bell Crank #5, 12	74148	Bell Hammer, 4
70724	Insulation Strip, 16	74026	Collar, 4,5	74150	Bell Operating Lever, 4
70771	Oiler, 22	74027	Screw (1/4-32 Special), 1	74151	Gear - 35T, 22
70793	Washer, 12	74028	Dashpot Cylinder, 1	74152	Spring, 3
70796	Spool Cup, 12	74029	Piston Head, 1	74153	Bearing, 3
70803	Screw (6-40 Pivot), 9	74031	Platen Bracket - Right, 8	74154	Lower Spacing Gear, 5
70872	Brush Holder (with Insulator), 22	74032	Washer, 1	74156	Screw (10-32 Special), 4
70873	Brush Holder Cap, 22	74033	Washer - Leather, 1	74158	Function Bail Blade, 4
70886	Washer, 5	74036	Nut (10-32 Hex.), 10,11	74160	Carriage Return Lock Bar, 5
70887	Nut (3/16-24 Hex.), 16	74037	Motor Stop Lever, 9	74161	Lock Bar Latch, 1
70892	Nut (1/8-27 Hex.), 15	74039	Function Lever #10 - Blank, 6	74162	Sliding Joint, 5
70893	Nipple, 15	74040	Function Lever #1 - Locking, 6		
71045	Nut (6-40 Special), 9	74041	Type Basket, 10,11		
71046	Screw (6-40 Special), 9	74042	Selector Vane #1, 6		
71073	Washer, 9				
71161	Bushing, 20				
71189	Copper Bearing Retainer, 22				
71445	Link, 9				
71449	Key Lever Guide - Rear, 19				
71505	Oil Wick - Felt, 3				

NUMERICAL INDEX

74163	Shift Push Bar, 4	74243	Basket Guide Roller (Assem.), 11	74381	Feed Pawl, 11
74164	Spacing Shaft, 5	74244	Printing Bail (with 87509 Spring Post), 4	74383	Bearing - Right, 11
74166	Driving Disc, 3	74246	Motor Stop Pawl - Inner, 9	74384	Spool Gear, 12
74169	Pivot Clamp, 6	74247	Shift Stop Post, 8	74385	Spur Gear, 12
74170	Screw (10-32 Pivot), 6	74248	Roller Stud, 8	74390	Reverse Bail, 11
74171	Screw (6-40 Eccentric), 1	74249	Screw (1/4-32 Pilot), 1	74392	Spool Bracket, 12
74172	Screw (10-32 Eccentric), 1	74251	Dashpot Lever, 1	74394	Spool Shaft, 12
74173	Bell Latch Bar, 4	74252	Screw (3/8-32 Pilot), 1,2	74395	Relay Guard, 15
74174	Bell Push Bar, 4	74253	Stud, 11	74397	Draw Strap Post, 10
74175	Bracket, 9	74254	Rear Cross Bar, 4	74398	Ratchet Shaft, 11
74178	Bracket, 2	74255	Function Lever Comb, 6	74399	Screw (6-40 Pilot), 9
74179	Vertical Feed Shaft, 12	74259	Detent, 8	74401	Ribbon Oscillator, 10
74180	Code Bar #1-D, 26	74264	Platen Shaft (with 104995 Pin), 7	74407	Sending-Receiving Reset Lever, 7
74181	Code Bar #2-D, 26	74269	Washer, 5	74408	Post, 7
74182	Code Bar #3-D, 26	74271	Clamping Washer, 5	74409	Contact Lever, 6
74183	Code Bar #4-D, 26	74272	Spring, 5	74410	Frame - Left (with Bearing Cap, Screws and Lock Washers), 1
74184	Code Bar #5-D, 26	74275	Shaft, 5	74412	Bushing, 5
74185	Pull Bar - Standard, 26	74276	Ball Bearing, 5	74413	Back Stop, 4
74186	Disc, 8	74278	Escapement Lever, 5	74414	Type Bar Guide, 10
74187	Pull Bar Guide, 11,12	74279	Strip - Leather, 10	74415	Guide Bracket, 6
74190	Spacing Clutch, 5	74281	Type Bar Backstop (Assem.), 10	74416	Sending-Receiving Intermediate Lever, 7
74191	Latch, 6	74283	Spring Washer, 1,2,7	74417	Send-Receiving "T" Lever, 7
74192	Upper Spacing Gear, 5	74286	Bail Guide, 12	74420	Bracket, 13
74194	Stud, 10	74289	Back Stop, 9	74421	Bracket, 15
74195	Roller, 10	74291	Spring Bracket, 9	74422	Relay Mounting Bracket, 13,15
74196	Stud, 11	74292	Screw (10-32 Shoulder), 11	74425	Receptacle, 13
74197	Roller, 11	74294	Adapter Plate, 10	74430	Strap, 16
74198	Ball Race, 11	74296	Screw (6-40 Pilot), 10	74432	Mounting Strip, 14
74199	Eccentric Bushing, 12	74297	Latch Plate, 5	74433	Cover, 14
74200	Track - Upper, 10	74300	Spring Drum (Assem.), 5	74435	Platen Bracket - Left, 8
74203	Type Bar (without Pallet) #3, 26	74303	Type Bar Pallet (Z W), 26	74437	Slide Bar, 8
74204	Type Bar (without Pallet) #4, 26	74304	Type Bar Pallet (K ?), 26	74438	Platen - Rubber, 7
74205	Type Bar (without Pallet) #5, 26	74305	Type Bar Pallet (B ?), 26	74446	Line Feed Ratchet (33-T), 7
74206	Type Bar (without Pallet) #6, 26	74307	Type Bar Pallet (Y 6), 26	74447	Detent Ratchet, 7
74207	Type Bar (without Pallet) #7, 26	74308	Type Bar Pallet (M .), 26	74448	Bushing, 8
74208	Type Bar (without Pallet) #8, 26	74309	Type Bar Pallet (U 7), 26	74449	Bushing, 8
74209	Type Bar (without Pallet) #9, 26	74310	Type Bar Pallet (L ), 26	74451	Release Lever Shaft, 8
74210	Type Bar (without Pallet) #10, 26	74311	Type Bar Pallet (H 8), 26	74452	Release Shaft, 8
74211	Type Bar (without Pallet) #11, 26	74312	Type Bar Pallet (O 9), 26	74454	Release Cam, 8
74212	Type Bar (without Pallet) #12, 26	74313	Type Bar Pallet (I 8), 26	74455	Paper Chute, 8
74213	Type Bar (without Pallet) #13, 26	74314	Type Bar Pallet (N .), 26	74457	Guide Lever, 8
74214	Type Bar (without Pallet) #14, 26	74315	Type Bar Pallet (E 3), 26	74460	Shaft, 8
74215	Type Bar (without Pallet) #15, 26	74316	Type Bar Pallet (T 5), 26	74463	Adjusting Lever, 8
74216	Type Bar (without Pallet) #16, 26	74317	Type Bar Pallet (A -), 26	74465	Line Feed Lever, 8
74217	Type Bar (without Pallet) #17, 26	74318	Type Bar Pallet (J ), 26	74467	Line Feed Pawl, 8
74218	Type Bar (without Pallet) #18, 26	74319	Type Bar Pallet (R 4), 26	74469	Paper Finger - Right, 8
74219	Type Bar (without Pallet) #19, 26	74320	Type Bar Pallet (D \$), 26	74470	Paper Finger - Left, 8
74220	Type Bar (without Pallet) #20, 26	74321	Type Bar Pallet (C :), 26	74473	Straightener Rod Stop, 8
74221	Type Bar (without Pallet) #21, 26	74322	Type Bar Pallet (F !), 26	74476	Straightener Rod, 8
74222	Type Bar (without Pallet) #22, 26	74323	Type Bar Pallet (W 2), 26	74478	Single - Double Line Feed Lever, 8
74223	Type Bar (without Pallet) #23, 26	74324	Type Bar Pallet (G &), 26	74479	Bushing, 8
74224	Type Bar (without Pallet) #24, 26	74325	Type Bar Pallet (V ;), 26	74480	Retaining Spring, 8
74225	Type Bar (without Pallet) #25, 26	74326	Type Bar Pallet (Q 1), 26	74481	Detent Roller, 8
74226	Type Bar (without Pallet) #26, 26	74327	Type Bar Pallet (X /), 26	74490	Roller-Rubber - Front, 8
74227	Type Bar (without Pallet) #27, 26	74328	Type Bar Pallet (S ), 26	74491	Roller-Rubber - Rear, 8
74228	Type Bar (without Pallet) #28, 26	74329	Reverse Shaft, 12	74493	Spacer - Short, 8
74230	Clutch - Driving, 5	74330	Spring, 10	74494	Spacer - Long, 8
74239	Clutch Bushing, 3	74331	Lockout Spring, 10	74499	Bearing Cap - Right, 11
74240	Roller, 11	74332	Roller - Flanged, 11	74500	Bearing - Left, 11
74241	Clutch - Driven, 5	74333	Washer, 10	74501	Bearing Cap - Left, 11
		74334	Shift Lever, 10	74502	Clutch - Driven, 3
		74335	Roller - Upper, 11	74503	Function Bail (with 87509 Spring Post), 4
		74337	Release Crank, 8	74505	Pinion - 7T, 22
		74338	Platen Cross Bar, 8	74508	Spring Drum, 5
		74339	Eccentric Stud, 11	74511	Friction Spring, 11
		74343	Stud, 11	74512	Basket Support Roller (Assem.), 10
		74344	Reverse Arm - Right, 12	74513	Fulcrum Rod, 10
		74345	Reverse Arm - Left, 12	74514	Screw (4-40 x 7/8), 14
		74358	Bracket, 10	74517	Screw (6-40 x 1/2), 7
		74359	Draw Strap, 5	74519	Paper Finger Shaft, 8
		74361	Screw (6-40 Shoulder), 8	74520	Screw (6-40 Eccentric), 7
		74363	Bail, 10,11	74521	Bevel Gear, 12
		74366	Spacing Rack, 11	74523	Spacer Bar, 19
		74367	Screw (10-32 x 1-7/16), 11	74525	Screw (1/4-32 Thumb), 19
		74368	Operating Bail Roller (Assem.), 11	74526	Collar, 12
		74371	Ribbon Carrier, 10	74528	Spacer Bar Loop, 19
		74372	Link, 11	74529	Bracket, 19
		74373	Type Bar Segment, 10		
		74374	Pull Bar Bail Plunger, 11		
		74376	Bracket, 11		
		74378	Margin Bell Pawl, 10		
		74379	Bracket, 10		
		74380	Shaft (with Detent and Gears), 11		

NUMERICAL INDEX

74531	Switch Cover, 13	74658	Type Bar (with Pallet) #18, (J ?), 26	74805	Screw (10-32 x 3/4), 3, 11,12
74532	Keyboard Base - Black Gloss, 19	74659	Type Bar (with Pallet) #19, (R 4), 26	74806	Guide Post Mounting Strip, 11
74534	Bearing Bracket, 5	74660	Type Bar (with Pallet) #20, (D \$), 26	74807	Nut (10-32 Hex.), 11
74536	Screw (6-40 x 5/32), 7, 8,12	74661	Type Bar (with Pallet) #21, (C :), 26	74808	Bushing, 19
74538	Bracket, 7	74662	Type Bar (with Pallet) #22, (F !), 26	74821	Resistor - 2810 Ohms, 15
74539	Plate, 7	74663	Type Bar (with Pallet) #23, (W 2), 26	74838	Bearing Cup, 1
74545	Release Lever, 9	74664	Type Bar (with Pallet) #24, (G &), 26	74841	Terminal Strap (with 8451 Terminals), 9
74548	Spring, 5	74665	Type Bar (with Pallet) #25, (V ;), 26	74876	Paper Roll Spindle (8" to 8 1/2") (includes 74877 Spring), 7
74551	Cover - Bakelite, 13	74666	Type Bar (with Pallet) #26, (Q 1), 26	74877	Spring, 7
74552	Vane Frame (with Post), 6	74667	Type Bar (with Pallet) #27, (X /), 26	74878	Spindle Drag Spring, 2
74554	Spring Post, 1,8,9	74668	Type Bar (with Pallet) #28, (S '), 26	74879	Spring Post, 2,8
74556	Motor Stop Pawl - Outer, 9	74670	Strap, 16	74882	Spring, 5
74557	Lamp - Clear (115 Volts), 15	74682	Screw (10-32 x 1-1/8), 16	74885	Send.-Rec. Lever, 14
74558	Socket, 15	74684	Contact Spring, 14	74889	Block, 10
74559	Shaft, 8	74685	Contact Spring, 14	74890	Motor Stop Contact (Assem.), 7
74561	Line Feed Check Post, 8	74686	Shift Vane #6, 4,6	74891	Shim, 20
74562	Screw (6-40 Special), 8	74687	Screw (6-40 x 5/8), 11	74892	Shim, 19,20
74563	Line Feed Check Lever, 8	74688	Unshift on Space Cutout Lever - Short, 7	74898	Stud, 13
74564	Detent Lever, 8	74689	Guide Post, 12	74899	Ball Bearing, 3
74566	Screw (10-32 Shoulder), 8	74690	Transmitter (Assem.) (with 7381 Contact Mounting Assem.), 20	74900	Washer, 3
74567	Screw (1/4-20 x 9/16), 13,22	74692	Spring Post, 1,4	74901	Nut (15/32-32 Hex.), 3
74568	Terminal Block, 13	74693	Post, 8	74904	Main Shaft, 3
74569	Terminal Block, 19	74694	Friction Arm, 7	74909	Frame -Right (with Bearing Cap, Screws and Lock Washers), 2
74572	Cable - Keyboard, 19	74695	Friction Sleeve, 7	74916	Gear Hub, 3
74573	Power Cable (in Base), 13	74700	Spring, 10	74917	Retainer, 21
74574	Line Cable (in Base), 13	74703	Spring, 9	74928	Spring Post, 8
74575	Cable - Line Relay, 15	74704	Spring, 1	74932	Function Lever #7 - Blank, 6
74581	Selector Bar #1 - Rear, 19	74705	Spring, 6	74933	Pull Bar Stripper, 12
74582	Selector Bar #2, 19	74706	Spring, 8	74946	Insulator, 4
74583	Selector Bar #3, 19	74707	Spring, 1	74949	Contact Lever - Lower, 14
74584	Selector Bar #4, 19	74708	Spring, 8	74952	Screw (4-40 x 5/8), 14
74585	Selector Bar #5 - Front, 19	74709	Spring, 8	74955	Retainer, 12
74588	Terminal Block (Assem.), 13	74710	Spring, 8	74961	Spring, 6
74589	Terminal Block (Assem.), 19	74712	Spring, 1	74962	Spring, 6
74590	Plate, 19	74720	Screw (1/4-20 Thumb), 13,25	74964	Contact Spring, 14
74594	Retaining Ring, 19	74721	Spring, 11	74965	Spacer, 17
74595	Gear - 24T, 20	74722	Washer, 9,12	74969	Bushing, 12
74596	Driving Gear - 21T, 3	74724	Screw (10-32 Thumb), 9	74972	Stud, 11
74599	Eccentric, 9	74725	Screw (6-40 Shoulder), 4	74986	Screw (6-40 x 13/32), 3,4,10,11,19
74601	Universal Bar, 19	74726	Extension, 10	74987	Spring, 12
74604	Repeat Space Rod, 19	74727	Terminal, 14	74988	Spring, 9
74605	Bracket, 19	74730	Screw (6-40 Shoulder), 10	74991	Insulator, 22
74609	Spacer Bar Shaft, 19	74731	Nut (6-40 Hex.), 10	74992	Bushing - Bakelite, 16
74610	Key Lever Shaft, 19	74732	Stud, 8	74994	Mounting Plate, 12
74613	Screw (4-40 x 1/4), 8	74733	Shoulder Stud, 5,8	74995	Retainer, 12
74614	Resistor - 2600 Ohms, 15,17	74736	Stop Lever Bracket, 5	75052	Keyboard Track, 14
74620	Control Switch, 13	74737	Spacing Stop Lever, 5	75229	Spring, 14
74621	Cover Locating Stud (Assem.), 13	74739	Screw (6-40 Special), 11	75231	Bushing - Bakelite, 15,16
74625	Cable - Selector Magnet, 4	74744	Guard, 15	75400	Screw (6-40 x 1), 17
74626	Shim, 6	74749	Stop Plate, 19	75436	Resistor - 3000 Ohms, 15
74627	Connection Strip (Assem.),14	74751	Trip Off Pawl, 19	75437	Test Key, 19
74628	Fuse Block, 13	74754	Detent Spring, 11	75606	Spring, 20
74637	Hinge Spring, 21	74755	Wick - Felt, 3	75607	Washer, 20
74643	Type Bar (with Pallet) #3, (Z ?), 26	74756	Wick - Felt, 3	75750	Washer - Bakelite, 15,17
74644	Type Bar (with Pallet) #4, (K ( ), 26	74759	Strip - Felt, 21	76084	Washer - Felt, 7
74645	Type Bar (with Pallet) #5, (B ?), 26	74760	Spring, 4	76085	Friction Disc, 7
74647	Type Bar (with Pallet) #7, (Y 6), 26	74762	Key Lever - Lower, 19	76086	Friction Spring, 7
74648	Type Bar (with Pallet) #8, (M .), 26	74776	Insulator, 13	76087	Nut (9/16-32 Special), 7
74649	Type Bar (with Pallet) #9, (U 7), 26	74783	Sixth Vane Detent Lever (Assem.) - with Roller, 6	76099	Washer, 21
74650	Type Bar (with Pallet) #10, (L ), 26	74788	Cable - Motor, 22	76246	Bushing - Bakelite, 14
74651	Type Bar (with Pallet) #11, (H £), 26	74789	Cable (for Motor Stop Contacts), 7	76295	Spring, 1
74652	Type Bar (with Pallet) #12, (O 9), 26	74798	Screw (6-40 x 31/64), 5	76296	Spring, 5
74653	Type Bar (with Pallet) #13, (I 8), 26	74799	Retaining Plate, 5	76333	Bushing - Bakelite, 14
74654	Type Bar (with Pallet) #14, (N ), 26	74800	Washer - Felt, 3	76461	Washer, 21
74655	Type Bar (with Pallet) #15, (E 3), 26	74801	Friction Disc Sleeve, 3	76699	Screw (10-32 Special), 13
74656	Type Bar (with Pallet) #16, (T 5), 26	74802	Spring, 3	77911	Cap, 17
74657	Type Bar (with Pallet) #17, (A -), 26	74804	Post, 11	77953	Series Motor, 1/25 H.P., 115 V., A.C., 60 Cycle (G. E. Model 32989 or 5BA65AA29), 22
				78011	Condenser - 1 M.F., 16
				78025	Screw (4-40 x 3/16), 22
				78028	Screw (6-40 x 15/16), 17
				78103	Screw (6-40 x 1-1/8), 17
				78205	Resistor - 300 Ohms, 16



NUMERICAL INDEX

78206	Resistance Unit (Assem.) 150-300-600 Ohms, 16	79513	Plate, 7,16	82787	Spring, 6
78239	Armature, 22	79523	Screw (2-56 x 25/32), 15	82788	Spring, 6
78240	Field Coil, 22	80255	Screw (4-40 x 21/64), 7	82865	Bracket, 15
78241	Field Coil, 22	80294	Spring Post, 8	82917	Send.-Rec. Break Mechanism (Assem.), 14
78287	Spacing Collar, 13	80312	Washer, 22	82918	Bracket, 14
78301	Screw (10-32 Shoulder), 4,13,22	80334	Contact Terminal, 23	82919	Bearing, 14
78398	Bushing - Bakelite, 23	80335	Clamping Plate, 23	82920	Bushing, 14
78399	Outer Disc Brush Spring (with Brush), 23	80336	Insulator, 23	82921	Break Lever, 14
78400	Inner Disc Brush Spring (with Brush), 23	80337	Bracket, 23	82922	Adjusting Plate, 14
78403	Contact Brush, 23	80338	Governor Adjusting Bracket, 23	82923	Stop Lever, 14
78437	Insulator, 23	80340	Brush Spring Plate, 23	82924	Plate, 14
78438	Bushing - Bakelite, 23	80341	Governor Brush & Speed Adjusting Bracket (Assem.), 22,23	82925	Contact Lever - Upper, 14
78439	Governor Shell, 23	80342	Screw (6-40 x 23/64), 12,13,23	82927	Contact Spring, 14
78443	Outer Contact Disc, 23	80352	Center Contact Governor (Assem.), 22,23	82930	Contact Spring, 14
78451	Governor Cover, 23	80374	Set of Gears, 22	82963	Sixth Vane Extension, 4
78496	Outer Disc Contact Spring, 23	80392	Spacer Key Lever Spring, 19	82966	Letters Push Bar, 4
78497	Inner Disc Contact Spring, 23	80444	Screw (6-40 x 1/4), 18,23	82986	Screw (1/4-32 Pilot), 4
78596	Washer, 9	80466	Platen Crank (Assem.), 7,25	83355	Washer - Bakelite, 18
78597	Screw (10-32 Shoulder), 9	80471	Clutch Spring, 20		
78824	Spring, 9	80478	Spring Post, 8		
78826	Mounting Block, 9	80508	Screw (4-40 x 25/32), 17	83412	Locating Stud, 13
78858	Washer, 17	80509	Spring Post, 2	83413	Buffer, 13
78905	Washer - Bakelite, 17	80510	Margin Bell Hammer, 2	83571	Eccentric, 9
78946	Spring Cushion Keytop (A -), 26	80511	Margin Bell Shaft, 2	83718	Sixth Vane - with Extension (Assem.), 4,6
78947	Spring Cushion Keytop (B ?), 26	80516	Cotter Pin, 1	83884	Screw (10-32 x 3/4), 1
78948	Spring Cushion Keytop (C :), 26	80706	Screw (6-40 x 3/16), 22	83885	Nut (6-32 Hex.), 21
78949	Spring Cushion Keytop (D \$), 26	80724	Paper Rod Lever, 8	83920	Top Separator Plate, 9
78950	Spring Cushion Keytop (E 3), 26	80757	Screw (10-32 x 1/2), 1,2	83976	Platen Crank, 7
78951	Spring Cushion Keytop (F !), 26	80848	Spring, 4	83977	Spring Clip, 7
78952	Spring Cushion Keytop (G &), 26	80875	Cover Arm, 21	84047	Stop, 22
78954	Spring Cushion Keytop (I 8), 26	80926	Spring, 4	84351	Type Bar Backstop, 10
78955	Spring Cushion Keytop (J '), 26	80945	Spring, 8	84575	Spring, 7
78956	Spring Cushion Keytop (K ( ), 26	80985	Screw (4-40 x 1/4), 21	84578	Bearing Block, 5
78957	Spring Cushion Keytop (L )), 26	80986	Lock Washer, 21	84579	Washer, 18
78958	Spring Cushion Keytop (M .), 26	81006	Stop Post, 2	84894	Arm, 11
78959	Spring Cushion Keytop (N ,), 26	81596	Screw (10-32 x 1-3/8), 16	84895	Detent Spring, 11
78960	Spring Cushion Keytop (O 9), 26	81684	Strip, 21	84896	Screw (10-32 Shoulder), 11
78962	Spring Cushion Keytop (Q 1), 26	81747	Insulator Block, 4	85595	Nut (3/8-16 Hex.), 13,24
78963	Spring Cushion Keytop (R 4), 26	81825	Condenser - .01 M.F., 17	86710	Oil Cup, 1,4
78964	Spring Cushion Keytop (T 5), 26	81836	Washer - Bakelite, 16	86850	Screw (10-32 x 1-1/4), 16
78965	Spring Cushion Keytop (U 7), 26	81841	Condenser - 1/4 M.F., 16	86868	Bushing - Bakelite, 23
78966	Spring Cushion Keytop (V ;), 26	81889	Spring Bracket - End, 10	86869	Post, 23
78967	Spring Cushion Keytop (W 2), 26	81893	Spring Bracket - Center, 11	86873	Spring, 6
78968	Spring Cushion Keytop (X /), 26	81895	Spring Post, 5	87389	Terminal Block and Cable (Assem.), 4
78969	Spring Cushion Keytop (Y 6), 26	81936	Feed Lever, 11	87401	Spring, 6
78970	Spring Cushion Keytop (Z ") , 26	81956	Blocking Bail, 6	87402	Spring, 6
78971	Spring Cushion Keytop (Blank), 26	82075	Spring, 4	87509	Spring Post, 4
78972	Spring Cushion Keytop (Figs.), 26	82271	Function Lever #13-D (Motor Stop Upper Case "H"), 6	87851	Bushing - Bakelite, 16
78973	Spring Cushion Keytop (Ltrs.), 26	82440	Screw (6-40 x 7/16), 17,19	87936	Bracket, 21
78976	Spring Cushion Keytop (Car. Ret.), 26	82702	Screw (6-40 x 9/32 Flat Head), 17	87937	Bracket - with Rod, 21
78978	Spring Cushion Keytop (Line Feed), 26	82925	Contact Lever - Upper, 14	87993	Screw (6-40 x 5/32), 6
78980	Spring Cushion Keytop (S Bell), 26	82964	Screw (4-40 Shoulder), 4	88856	Stud, 1
		82965	Spring, 4	88857	Spring Washer, 1
		82999	Spring, 10	88877	Lacing, 21
		82300	Motor Stop Locking (Assem.), 9	89076	Bracket, 7
		82399	Pad - Right Lower, 21	89077	Stud, 1,7
		82400	Pad - Left Side, 21	89442	Set of Parts for Reset Lever Down Stop, 7
		82401	Pad - Rear Lower, 21	89468	Plug, 18
		82402	Pad - Rear Upper, 21	89548	Contact Spring, 15
		82403	Pad - Front, 21	89881	Oil Wick - Felt, 3
		82404	Spring, 21	89896	Oil Cup, 5,20
		82406	Spring, 21	89897	Nut (10-32 Hex.), 5,20
		82407	Spring, 21	89917	Screw (4-40 Eccentric), 20
		82408	Spring, 21	89925	Terminal End, 16
		82409	Spring, 21	90260	Spring, 20
		82410	Spring, 21	90273	Cord Clamp, 13
		82411	Bracket, 21	90438	Button - Felt, 20
		82412	Bracket, 21	90511	Screw (6-40 x 13/16), 4
		82413	Cover Stop Arm, 21	90752	Washer - Felt, 13
		82414	Cover Detent Knob, 21	90791	Lock Washer, 9
		82415	Cover Detent Spring, 21	91120	Spring, 19,20
				91175	Roller (Assem.), 4
		82442	Spring, 2	91222	Covering Strip, 21
		82463	Spring, 8	91223	Paper Guide Plate, 21
		82474	Terminal, 13,17,18	91514	Rail - Left, 21
		82493	Washer, 9	91515	Rail - Right, 21
		82607	Spring Cushion Keytop (H Stop), 26	91600	Screw (6-40 x 31/32), 5
		82733	Bearing Cap, 2	91617	Shim, 22
		82740	Contact (Assem.), 7	91658	Extension, 10
				91659	Lockout Lever, 10
				91683	Nut (15/32-32 Hex.), 15,18
				91739	Insulator, 19

NUMERICAL INDEX

91751	Copyholder, 21	103377	Washer, 13,24,25
91752	Copyholder - 6" (Assem.) with Accessories - Black Wrinkle, 21	103378	Base - Black Gloss, 13,24
91766	Cable Clamp, 14	103422	Power Cord (Assem.) - 72" Long Approx., 18
91767	Cable Clamp, 13	103443	Cover Front Plate (Assem.) Black Wrinkle, 21
91837	Washer - Fibre, 22	103468	Cord (Assem.) (with 82474 Terminal), 18
92170	Bracket, 17	103503	Resistor - 120 Ohms, 18
92216	Filter (Assem.), 17	103505	Bracket, 18
92222	Transmitting Contact Filter (Assem.), 17	103517	Cord (Assem.), 18
92227	Line Relay Radio Filter (Assem.), 17	103524	Resistor Cage, 18
92291	Condenser - .1 M.F., 17	103542	Base Plate, 13,18,24
92309	Resistor - 400 Ohms, 17	103601	Name Plate, 21
92505	Shielding Tube, 17	103602	Name Plate, 21
92511	Roller, 20	103603	Name Plate, 21
92747	Bracket, 15,17	103605	Line Cord (Assem.) - 48" Long Approx. (Red Shell Plug), 18
92748	Screw (6-40 x 1-7/16), 17	103606	Line Cord (Assem.) - 48" Long Approx. (Black Shell Plug), 18
92749	Wire, 17	103607	Cord (Assem.) (with 82474 Terminal), 18
92750	Wire, 17	103608	Screw (3/8-16 x 3), 25
92814	Cable - Base, 13	103609	Screw (3/8-16 x 2-3/4), 25
93075	Nut (15/32-32 Ring), 15,18	103610	Washer, 25
93181	Range Finder Door, 21	103611	Spacer, 25
93754	Bail, 6	103612	Nut (3/8-16 Hex.), 25
93755	Roller, 6	103620	Screw (1/4-20 Special), 25
93756	Housing, 6	103621	Wrench, 25
93757	Bearing, 6	103628	Tuning Fork, 24
93758	Washer - Felt, 6	103651	Set of Type Bar Pallets, 26
93839	Function Lever Bail (Assem.), 6	103652	Set of Keytops, 26
93882	Condenser Plate, 17	103745	Holder, 24
93883	Condenser (Assem.), 17	103746	Resistor - 5 Ohms, 16
93884	Transmitting Contacts Filter (Assem.), 17	103779	Washer, 13,24
94009	Toggle Switch, 15	103796	Spring, 24
94015	Clutch Lever Bracket, 9	103969	Screw (10-32 x 7/8 Flat Head), 24,25
94094	Oil Retainer - Bakelite, 5	104451	Lock Washer, 22
94693	Wick - Felt (5/16" Long), 4	104572	Stop Arm, 21
94694	Button, Felt, 1	104990	Glass (11-19/32 x 6-1/4 x 1/8), 21
95935	Bushing - Bakelite, 17	104995	Pin, 7
95936	Retard Coil, 17	105045	Oil Wick - Felt, 3
95937	Condenser - .01 M.F., 17	105221	Contact Spring, 14
95938	Condenser - .1 M.F., 17	105222	Contact Spring, 14
96258-BK	Wire, 15	105223	Contact Spring, 14
96559	Type Bar Pallet (P $\phi$ ), 26	105229	Chest (Assem.) (CH-50-B), 24
96883	Terminal, 19	105236	Terminal Block (Assem.) - 5 Terminals, 19
97306	Lock Washer, 3	105237	Switch (Assem.), 18
99354	Container, 17	105238	Resistor - 120 Ohms (60-60) each, 18
99355	Bracket, 17	105239	Cable - Keyboard, 19
99356	Bracket, 17	105241	Power Cable (In Base), 13
99357	Clip, 17	105242	Line Cable (In Base), 13
99564	Spring Cushion Keytop (P $\phi$ ), 26	105264	Slip Connection Mounting Plate (Assem.), 14
99744	Resistor - 8000 Ohms, 15	105284	Cord (Assem.) - with 82474 Terminals, 18
99745	Line and Selector Jack (Assem.), 15	105367	Chest (Assem.) (CH-62-B), 25
99802	Plate, 15	105399	Hinge, 25
99803	Insulator (.094), 15	105419	Screw (10-32 Thumb), 18
99804	Insulator (.062), 15	105420	Guard, 18
99805	Plunger - Bakelite, 15	105421	Retaining Ring, 18
99806	Bracket, 15	105447	Governor Brush and Speed Adjusting Bracket (Assem.), 22,23
99807	Contact Spring, 15		
99809	Contact Spring, 15		
99816	Relay Base, 15		
99818	Cord Guard, 13		
101456	Screw (6-32 x 9/32), 19		
102510	Lord Mounting, 13,24,25		
102907	Spool Retainer, 12		
102925	Handle, 24,25		
102985	Type Bar (with Pallet) #6, (P $\phi$ ), 26		
103146	Ring, 24,25		
103147	Ring, 24,25		
103148	Pad - Felt, 13,24		
103236	Plug (Black Shell), 18		
103288	Fusetron - 1.4 Amp., 13		
103362	Latch, 24,25		
103364	Clip, 25		
103368	Chest (Assem.) (CH-62-A), 25		
103370	Chest (Assem.) (CH-50-A), 24		
103371	Pad - Felt, 24		
103376	Stud, 13,24		