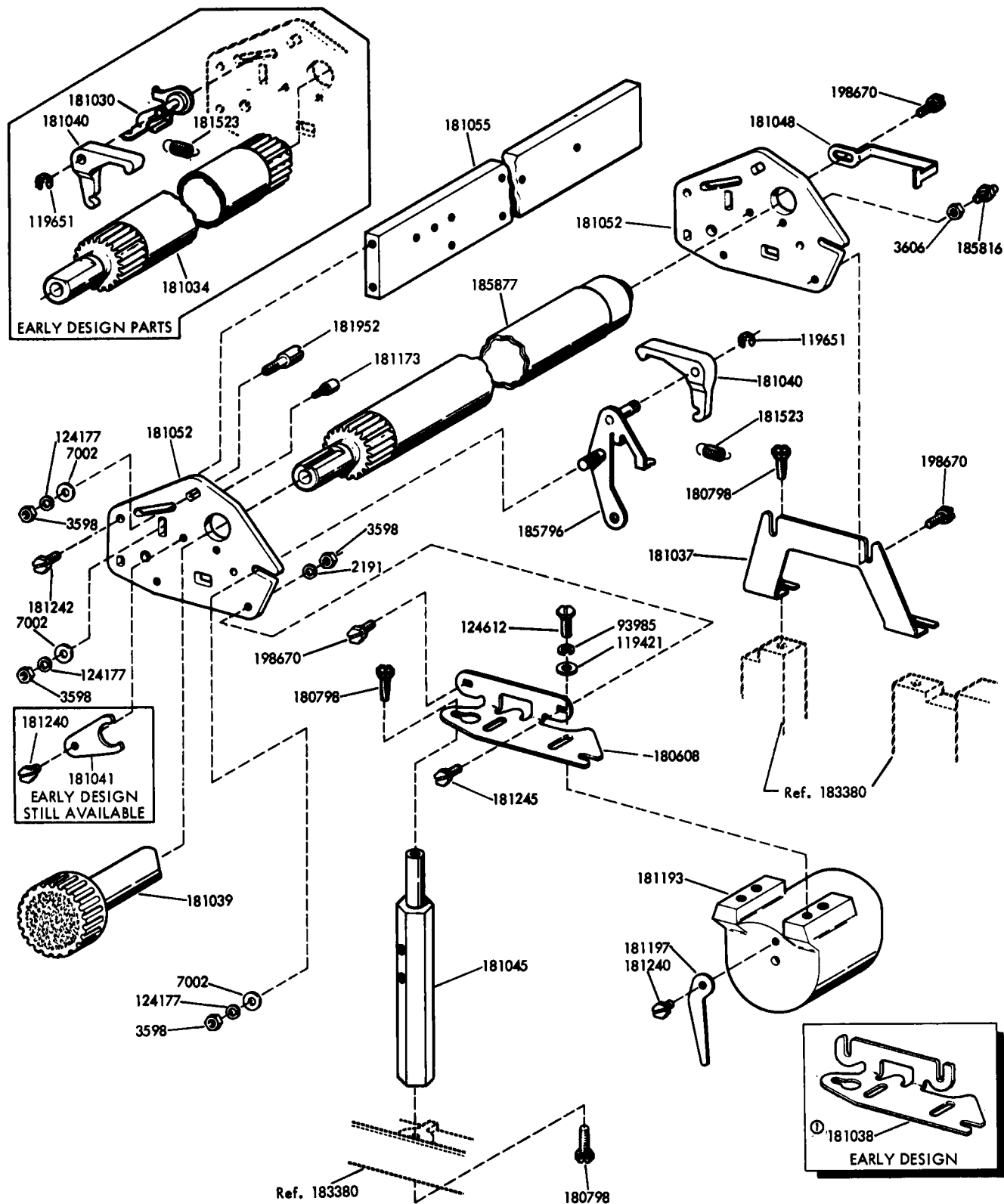


32 TYPING UNIT (UP)

PARTS

FIGURE	CONTENTS	PAGE	FIGURE	CONTENTS	PAGE
1	Platen Mechanism - Friction Feed	2	22	Clutch Trip Mechanism	22
2	Paper Handling Mechanism - Friction Feed	3	23	Answer-Back Drum Mechanism	23
3	Platen Mechanism - Sprocket Feed	4	24	Answer-Back Trip Magnet Mechanism	23
4	Platen Mechanism - Sprocket Feed (Continued)	5	25	Line Feed Function Lever Mechanism	24
5	Ribbon Feed Mechanism	6	26	Function Levers	25
6	Carriage Upper Plate Mechanism	7	27	185971 Modification Kit to Provide Printer with an End-of-Line Bell to Ring on Approximately the 62nd Character	26
7	Carriage Lower Plate Mechanism	8	28	185791 Modification Kit to Provide Controlled Single or Double Line Feed Feature on Friction Feed Printer	26
8	Carriage Power Bail Mechanism	9		29 Typewheel Chart	27
9	Carriage Drive Bail Mechanism	10		30 Formout Mechanism — Sprocket Feed	28
10	Carriage Mechanism for Two Color Printing	11		31 Later Design Formout Mechanism — Sprocket Feed	29
11	Main Shaft Mechanism - Friction Feed	12		32 Motor Contact — Sprocket Feed	29
12	Main Shaft Mechanism - Sprocket Feed	13		33 Base	30
13	Clutch Trip Lever Mechanism	14		34 Sub Bases	31
14	Codebar Basket Mechanism	15		35 Motors and Electrical Components	32
15	Function Box Mechanism	16		36 Cable Components	33
16	Function Shaft Mechanism	17		Numerical Index	34
17	Selector Frame Mechanism	18			
18	Clutch and Camsleeve Mechanism	19			
19	Distributor Clutch Mechanism	20			
20	Trip Shaft Mechanism	21			
21	182964 Drive Arm Assembly	22			



① See note 4 on page 9.

FIGURE 1. PLATEN MECHANISM-FRICTION FEED

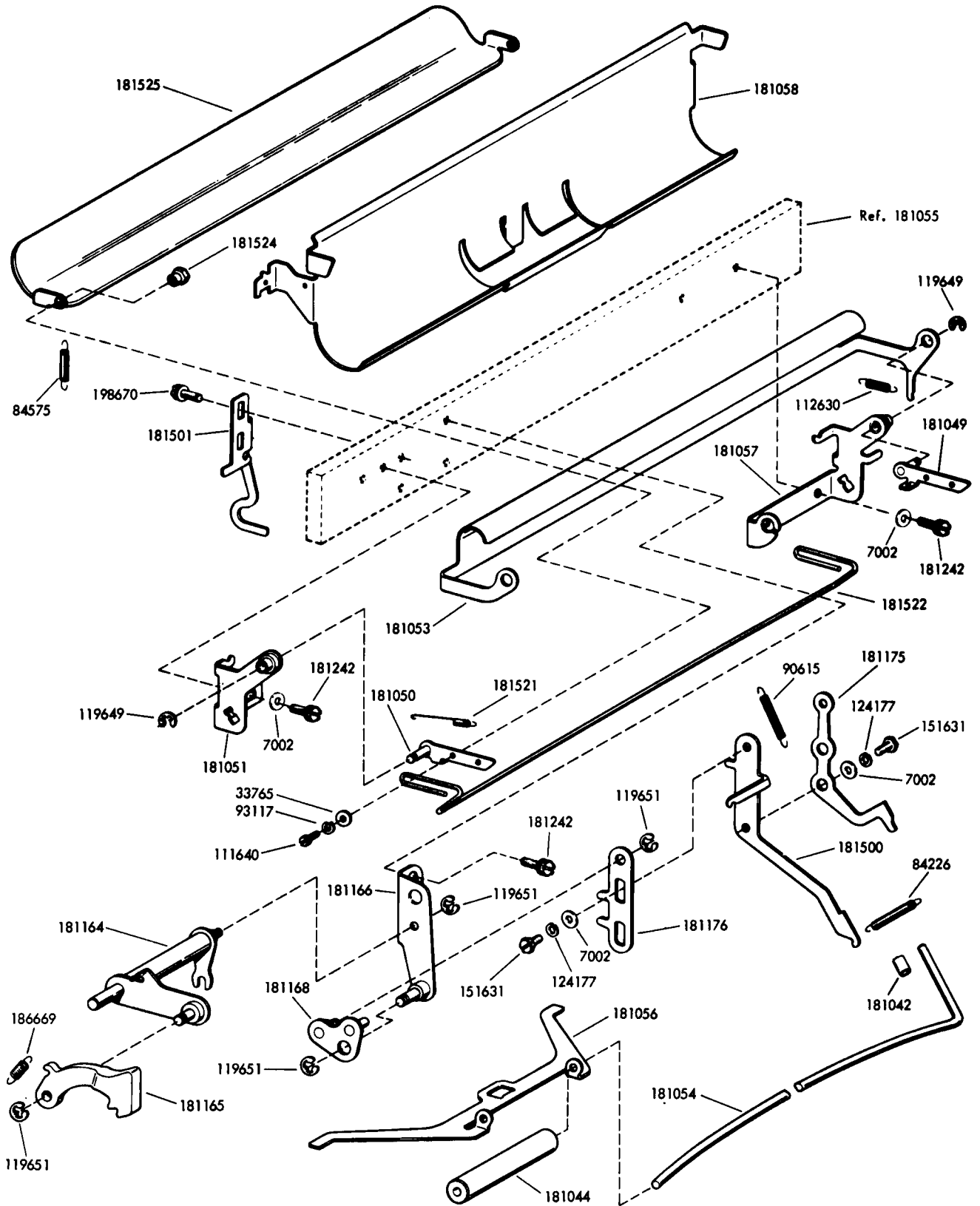


FIGURE 2. PAPER HANDLING MECHANISM-FRICTION FEED

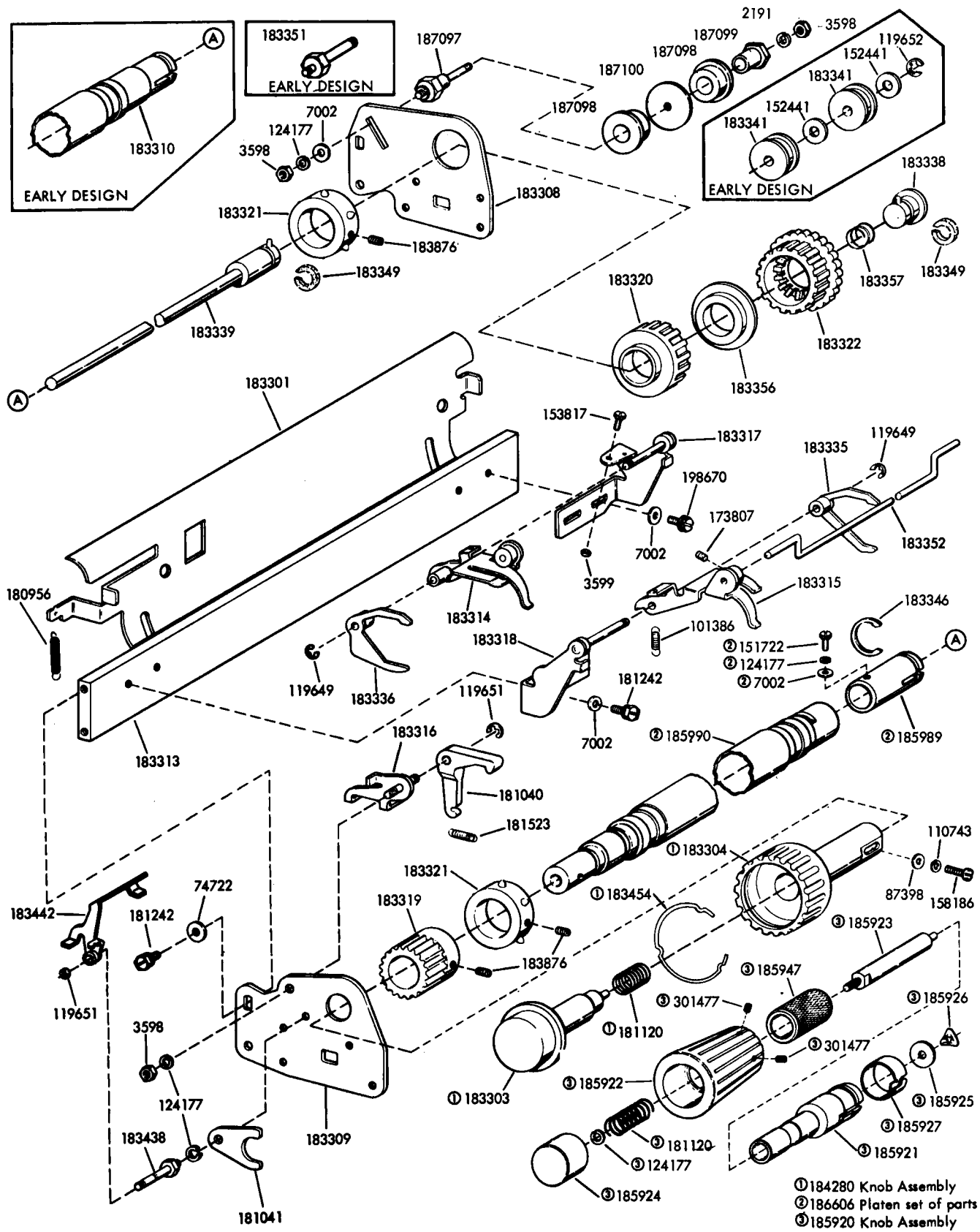


FIGURE 3. PLATEN MECHANISM-SPROCKET FEED

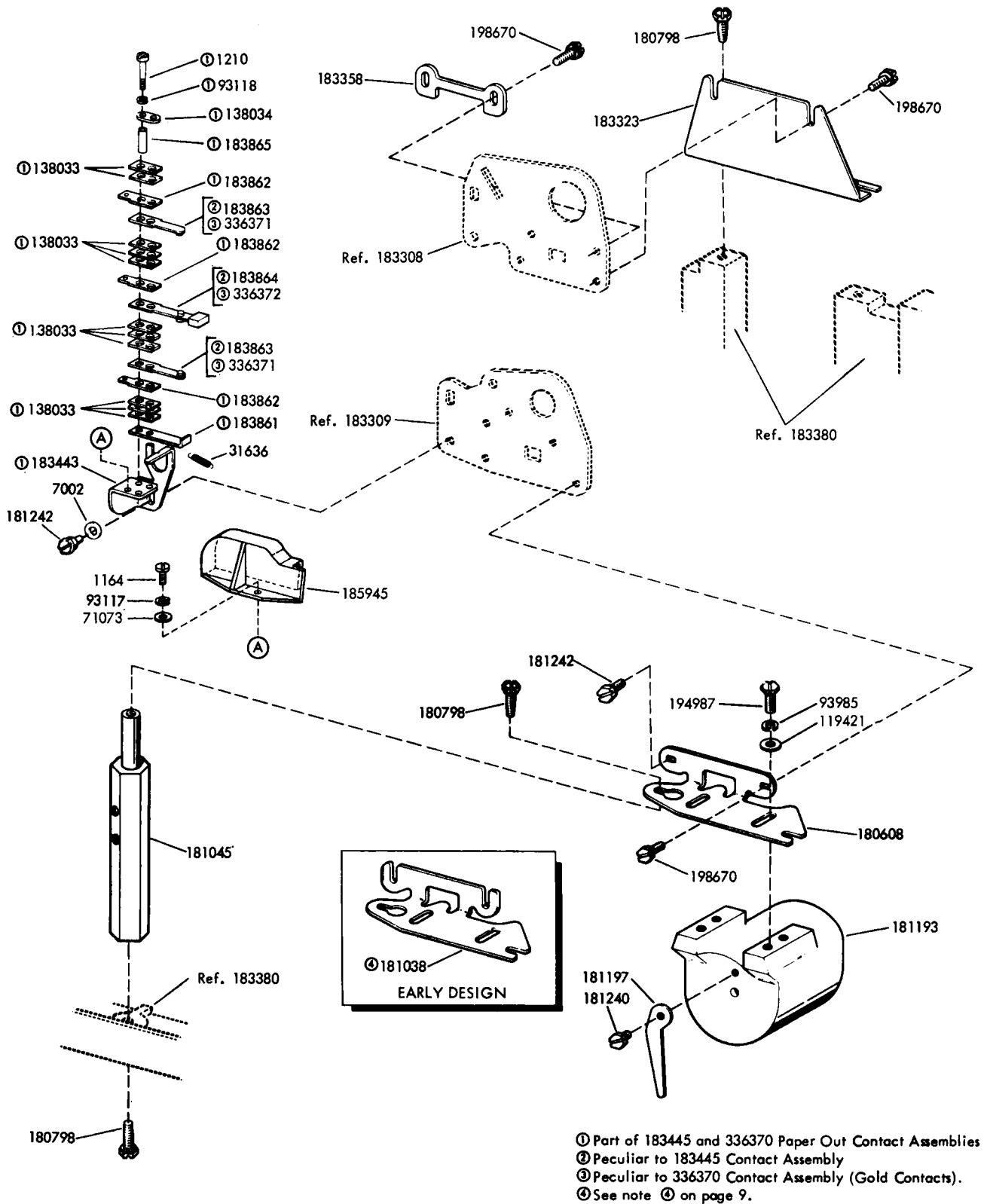


FIGURE 4. PLATEN MECHANISM-SPROCKET FEED (CONTINUED)

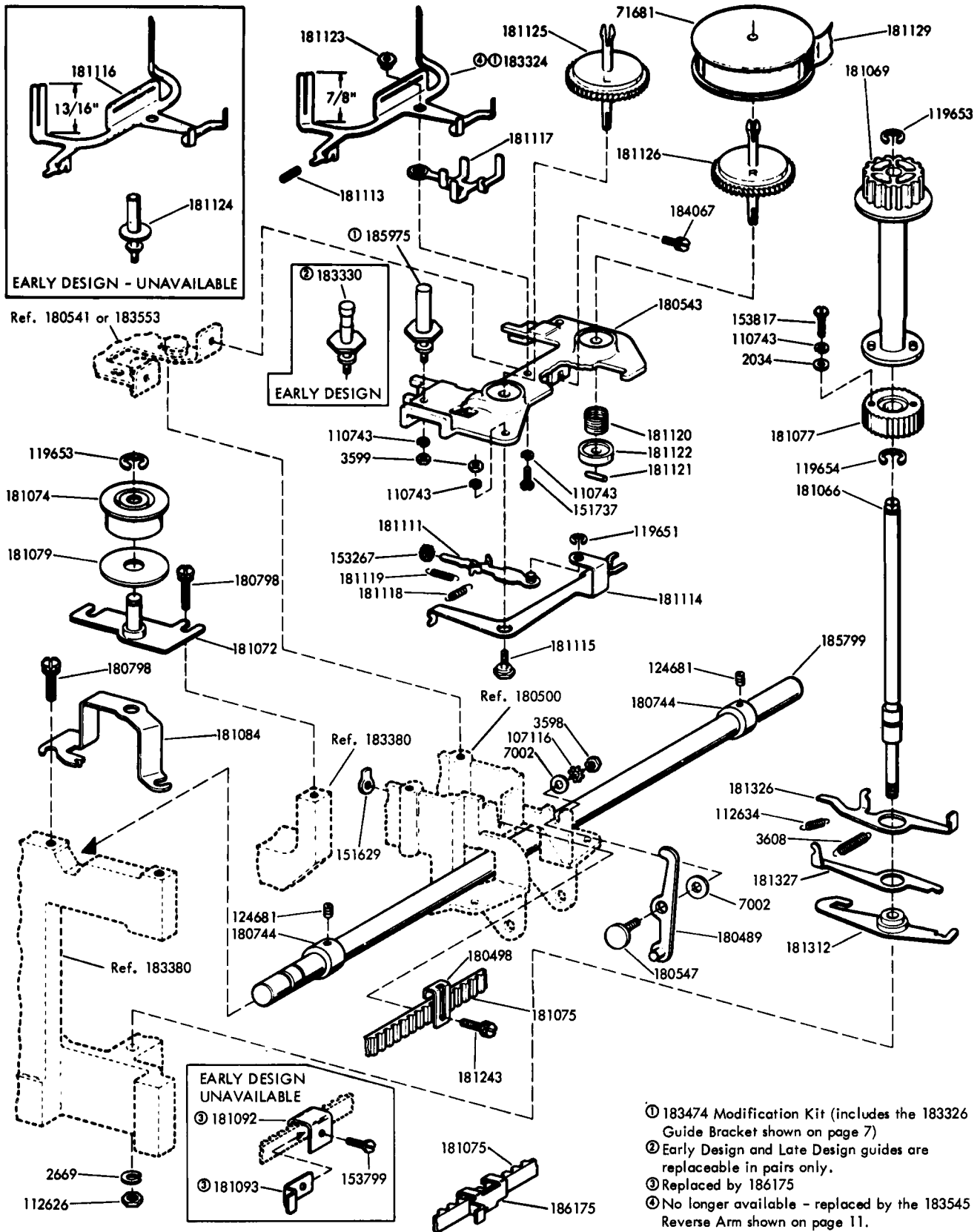


FIGURE 5. RIBBON FEED MECHANISM

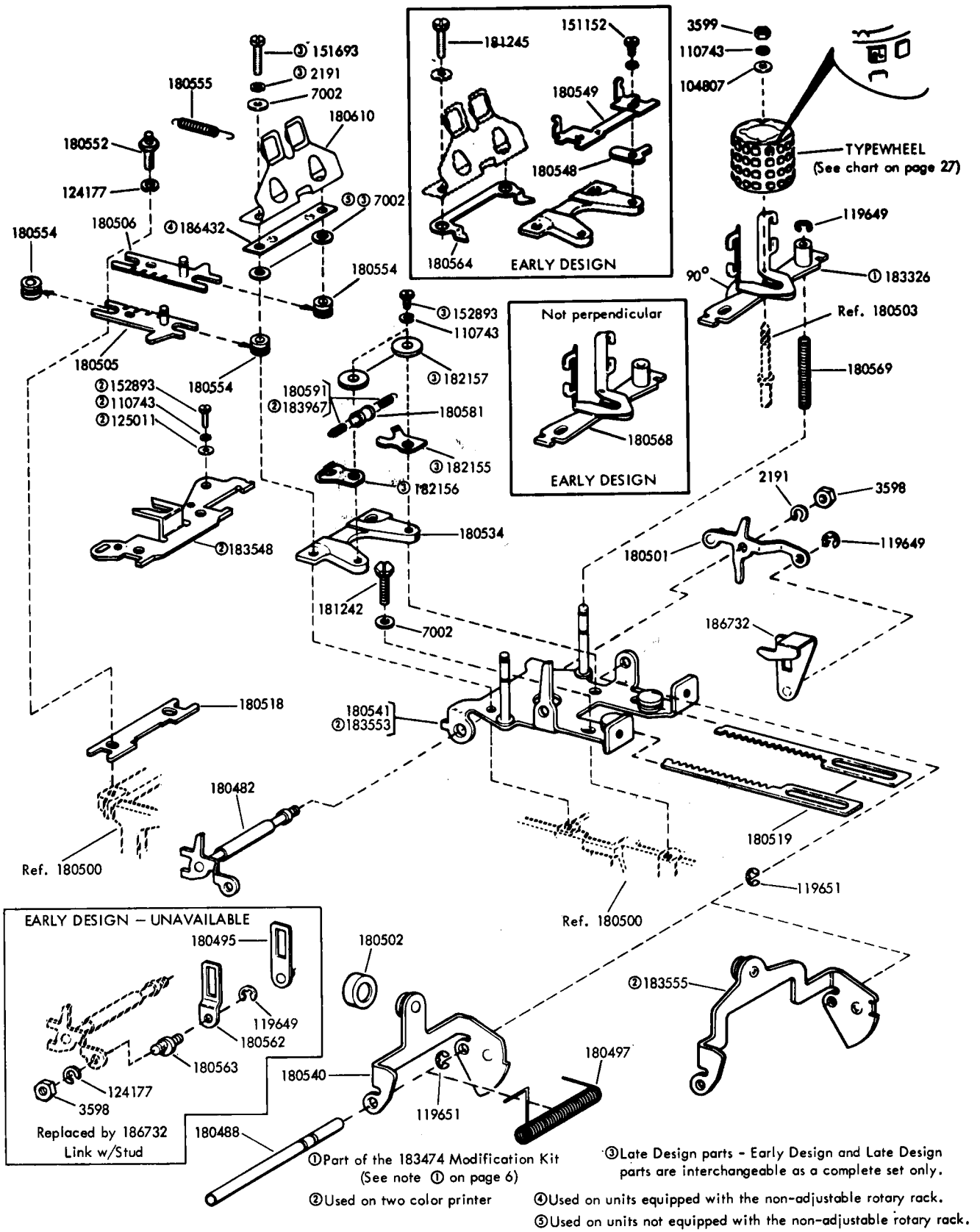


FIGURE 6. CARRIAGE UPPER PLATE MECHANISM

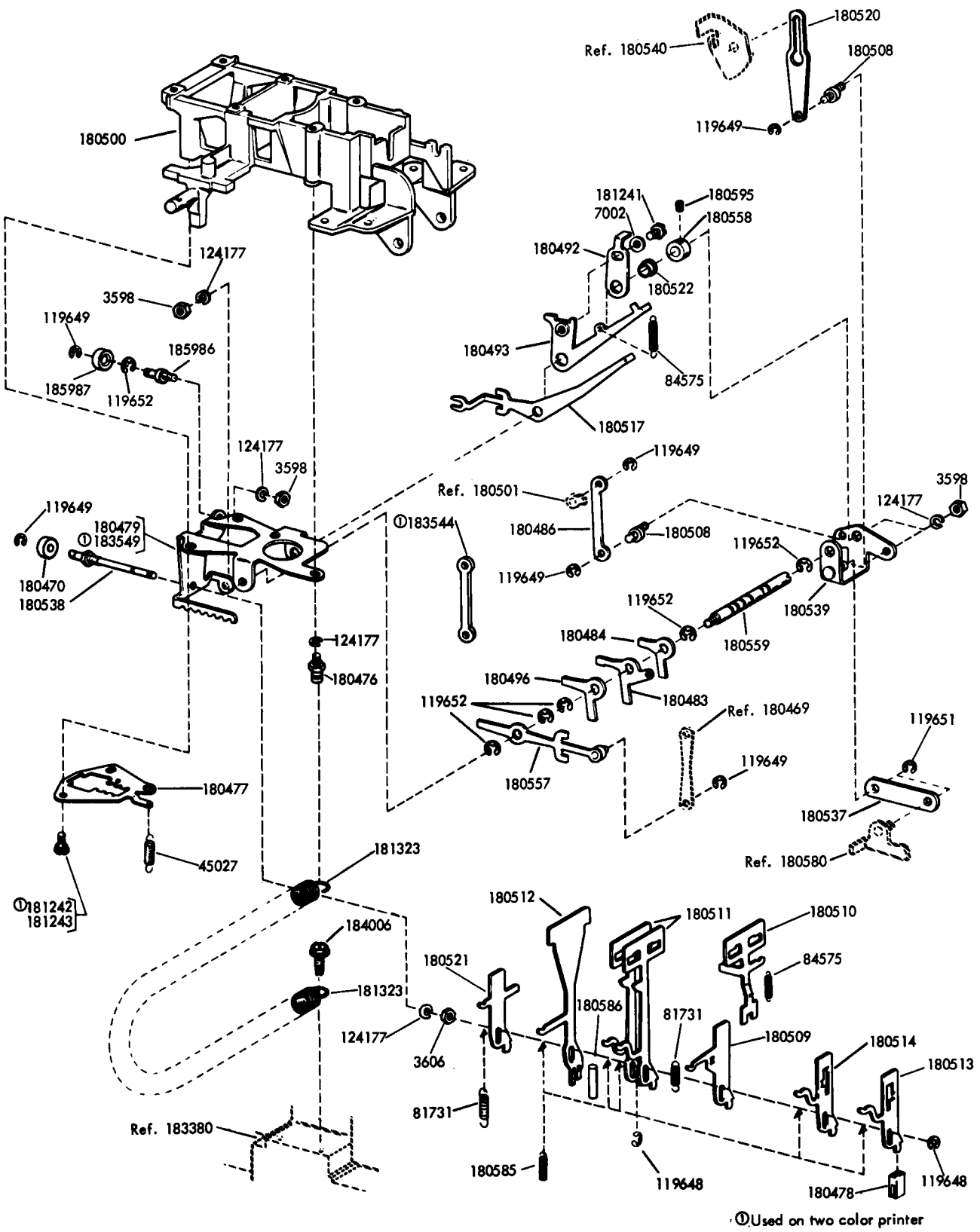


FIGURE 7. CARRIAGE LOWER PLATE MECHANISM



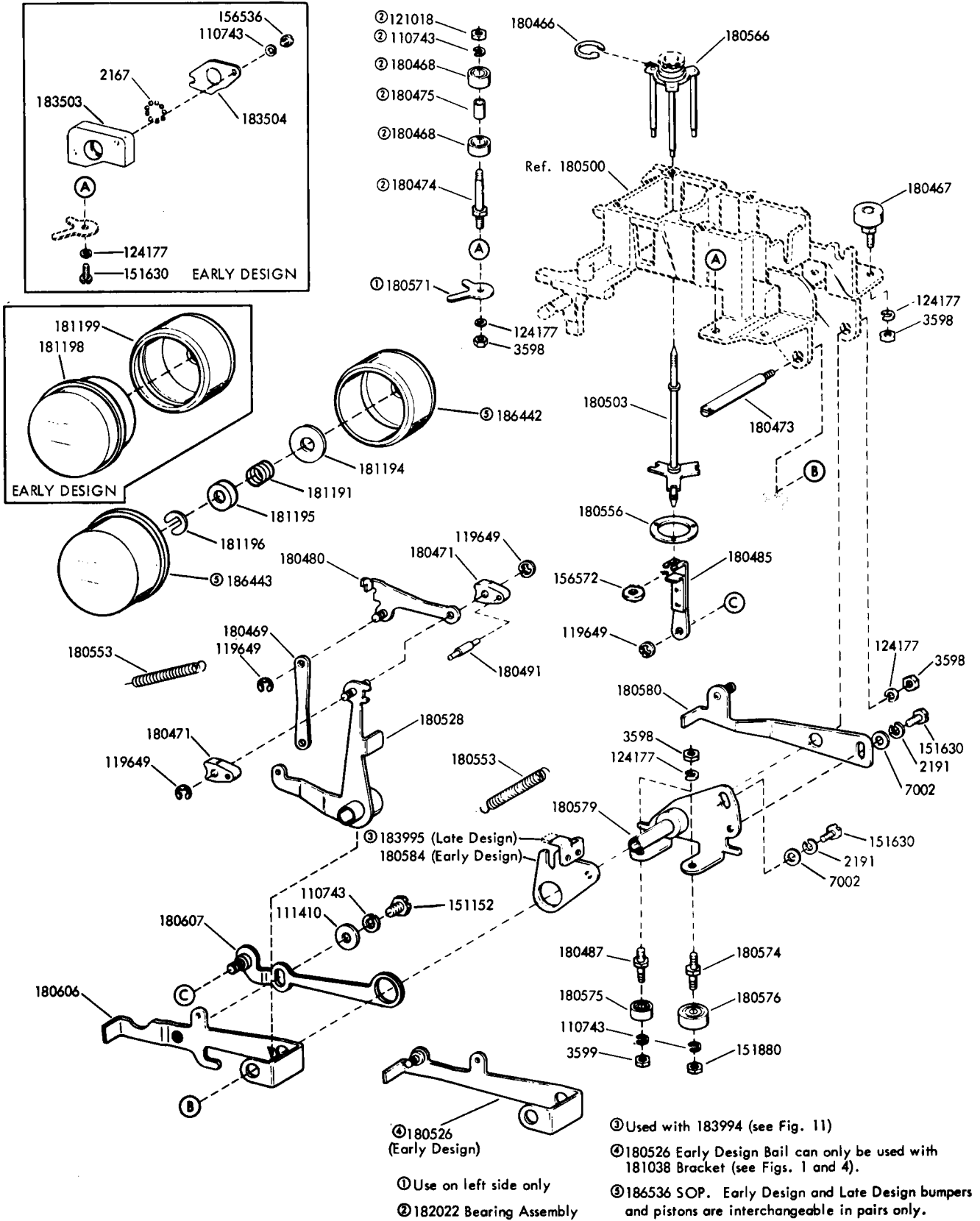


FIGURE 8. CARRIAGE POWER BAIL MECHANISM

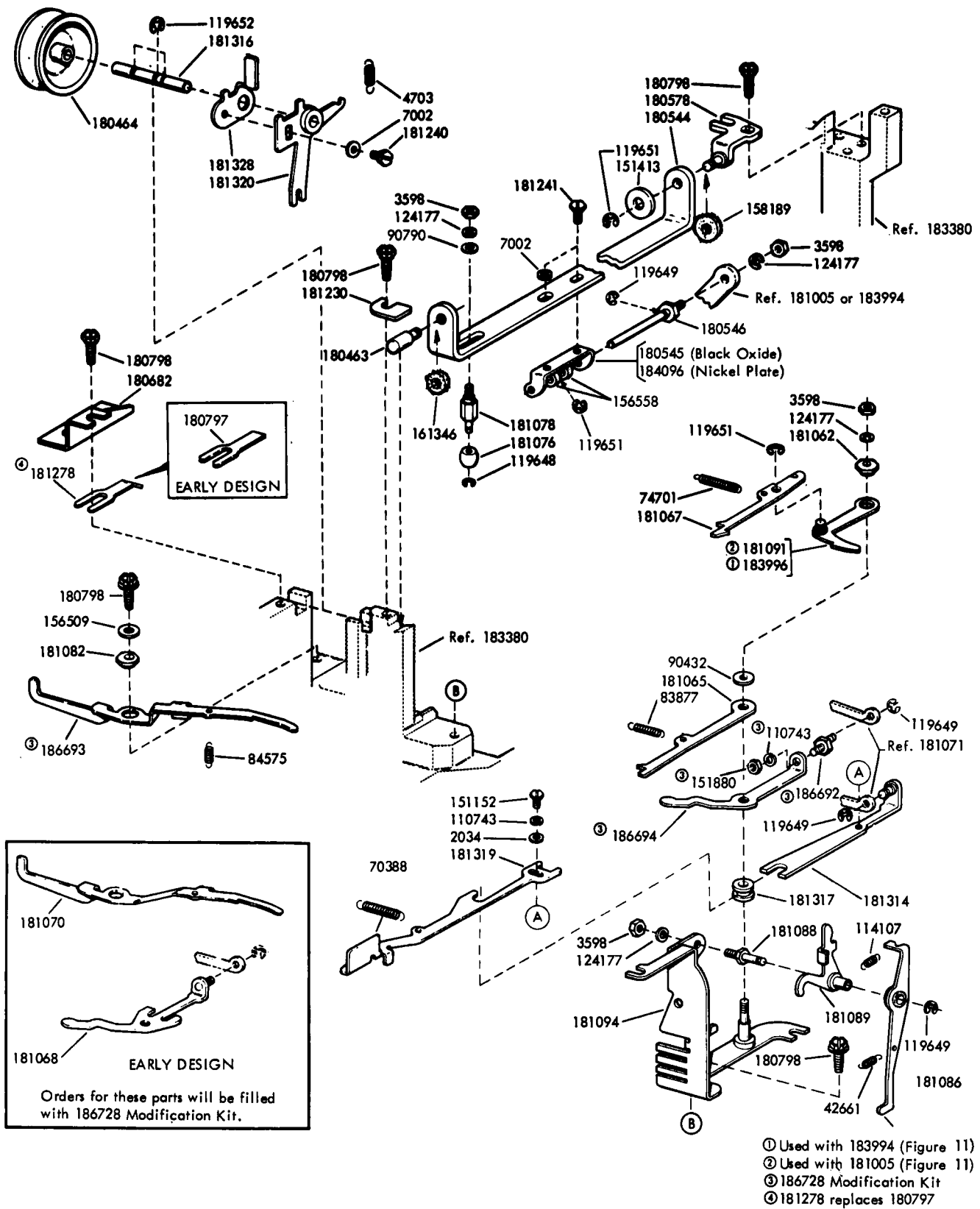


FIGURE 9. CARRIAGE DRIVE BAIL MECHANISM

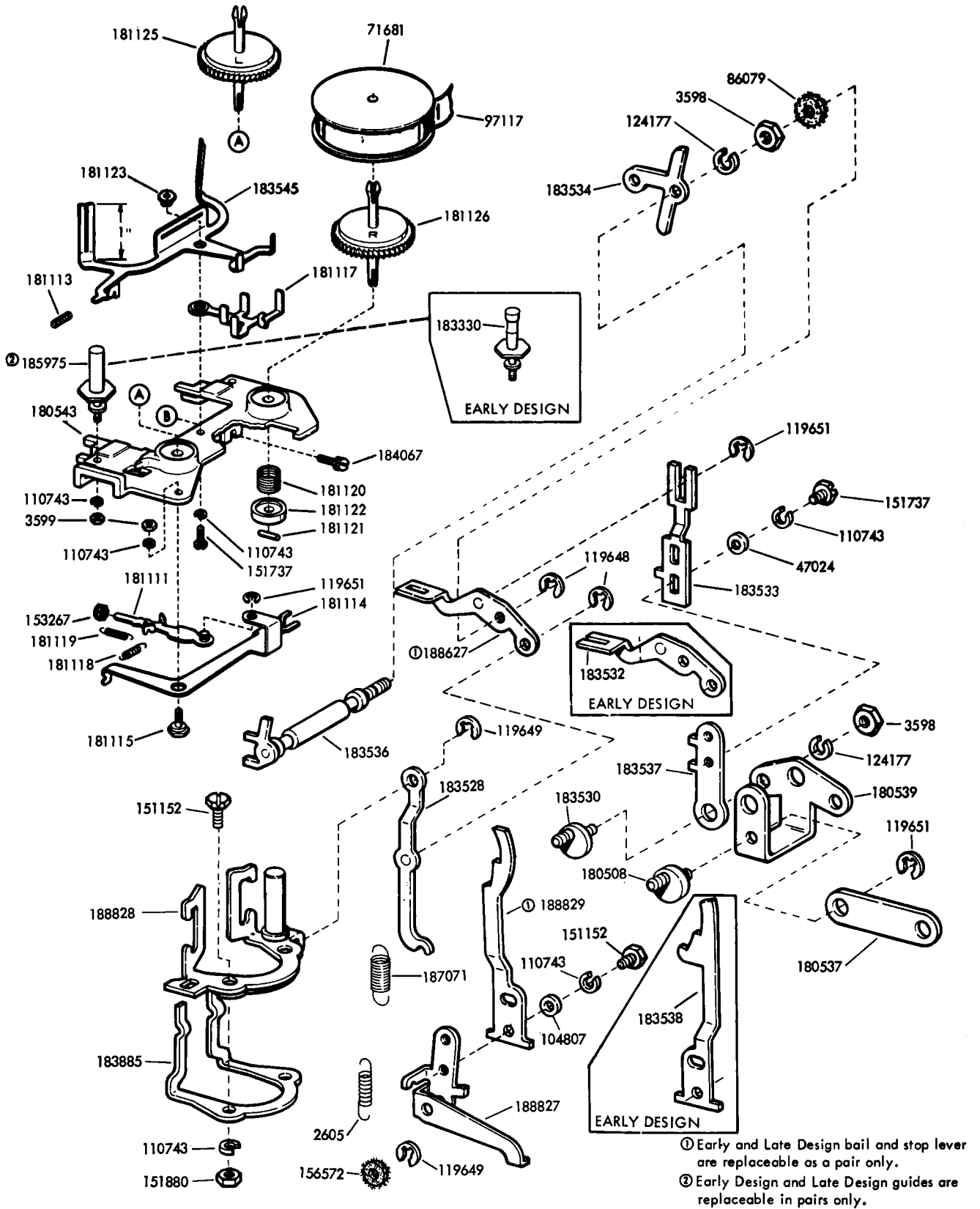


FIGURE 10. CARRIAGE MECHANISM FOR TWO COLOR PRINTING

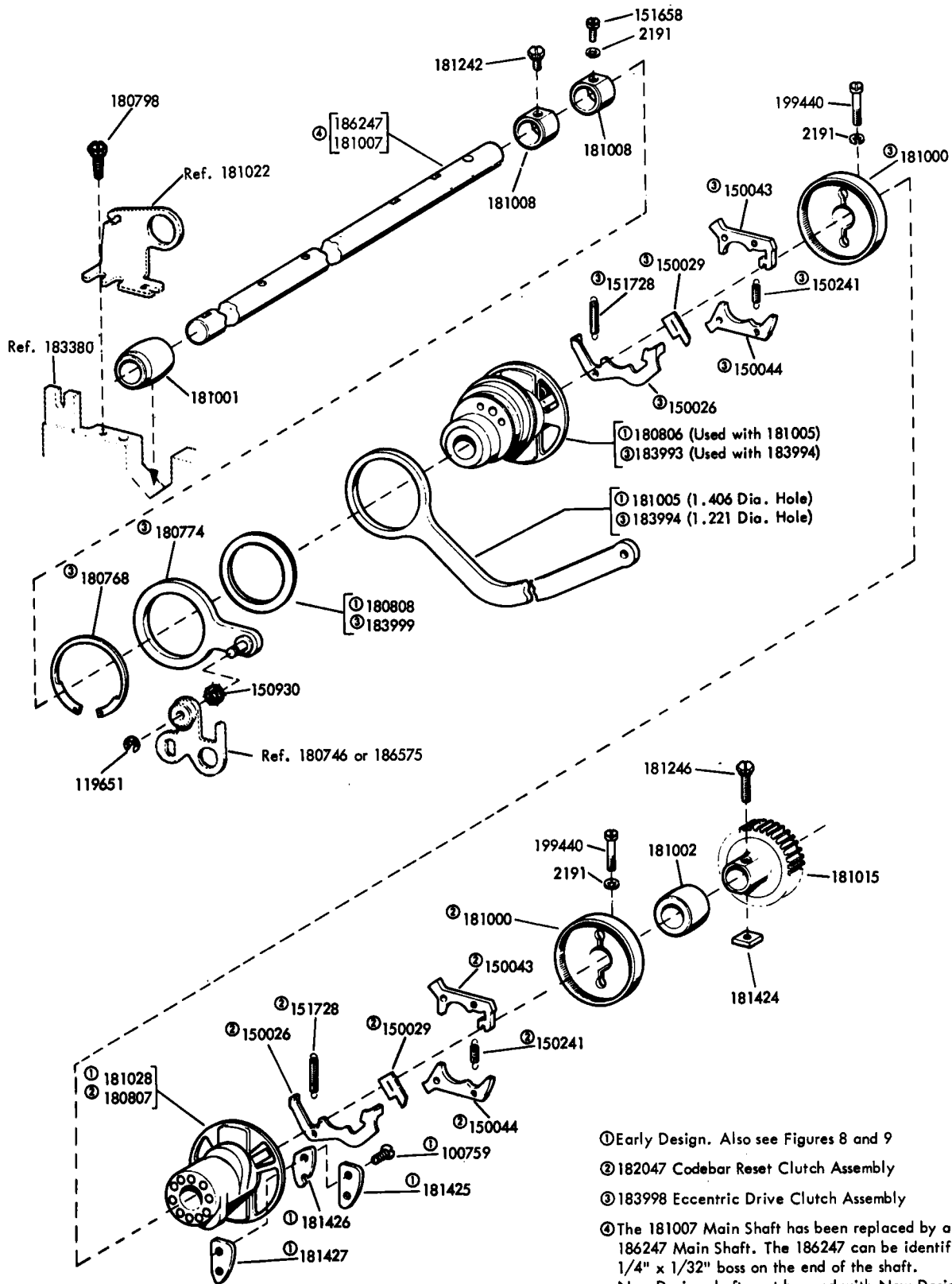


FIGURE 11. MAIN SHAFT MECHANISM-FRICTION FEED

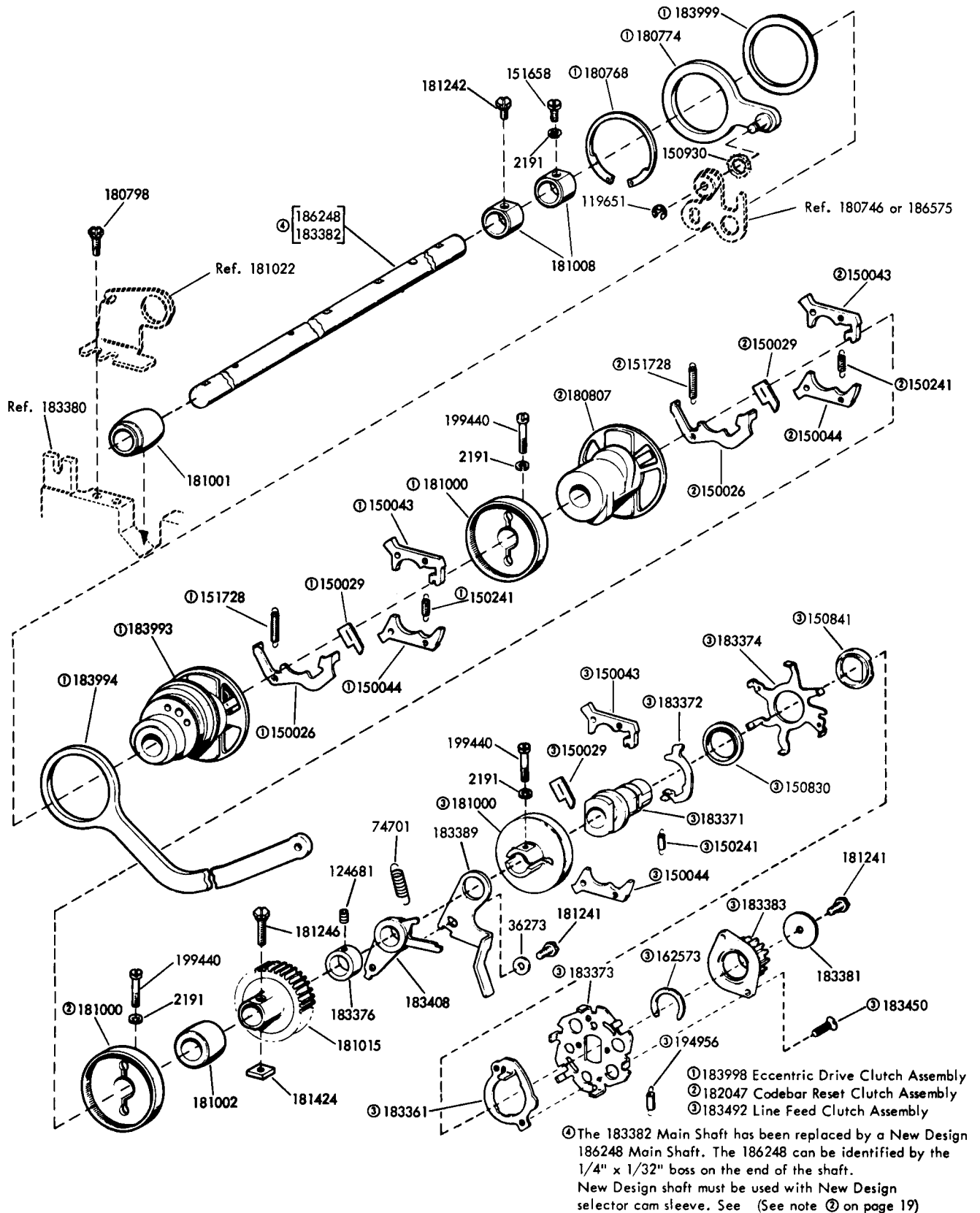


FIGURE 12. MAIN SHAFT MECHANISM-SPROCKET FEED

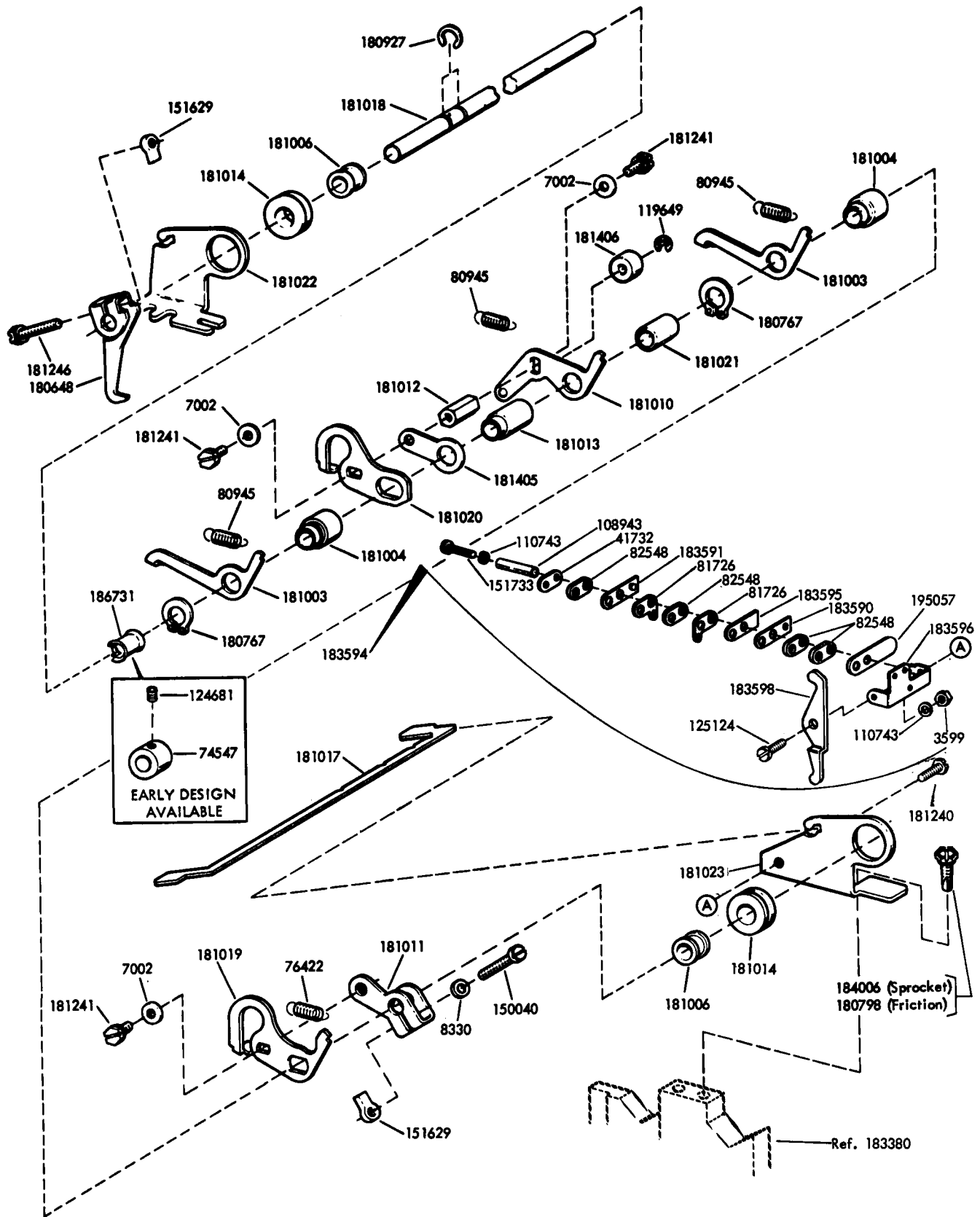


FIGURE 13. CLUTCH TRIP LEVER MECHANISM

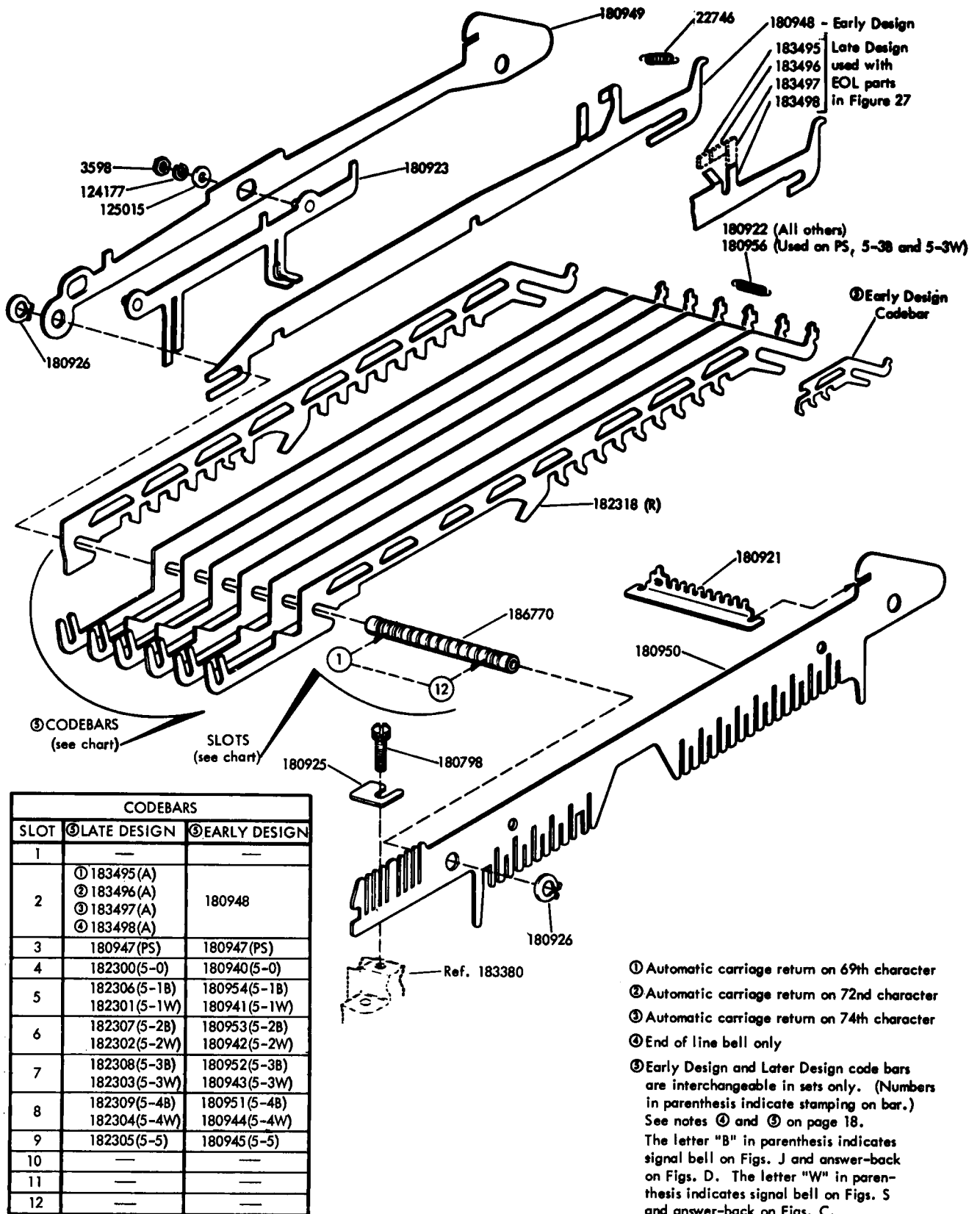


FIGURE 14. CODEBAR BASKET MECHANISM

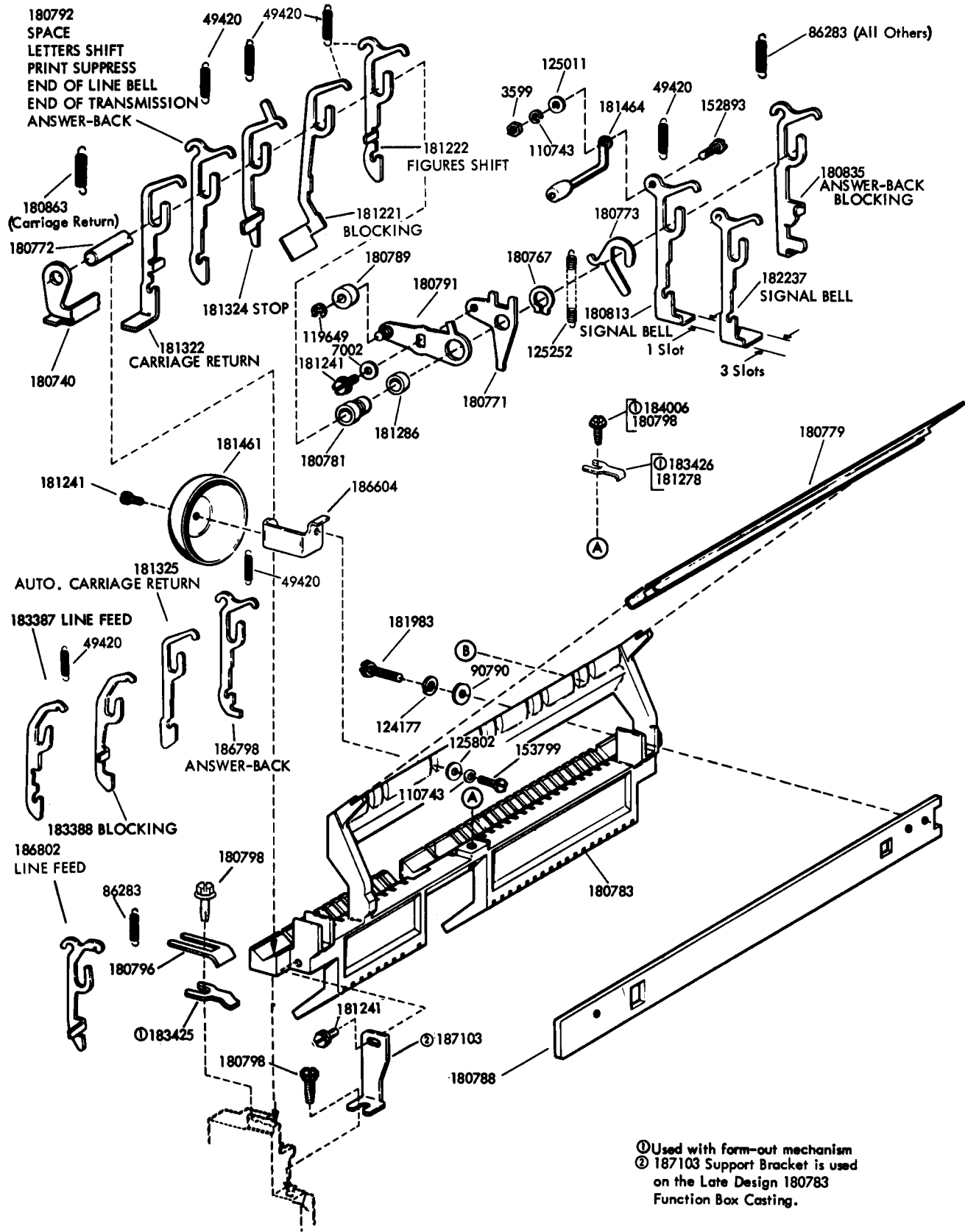


FIGURE 15. FUNCTION BOX MECHANISM



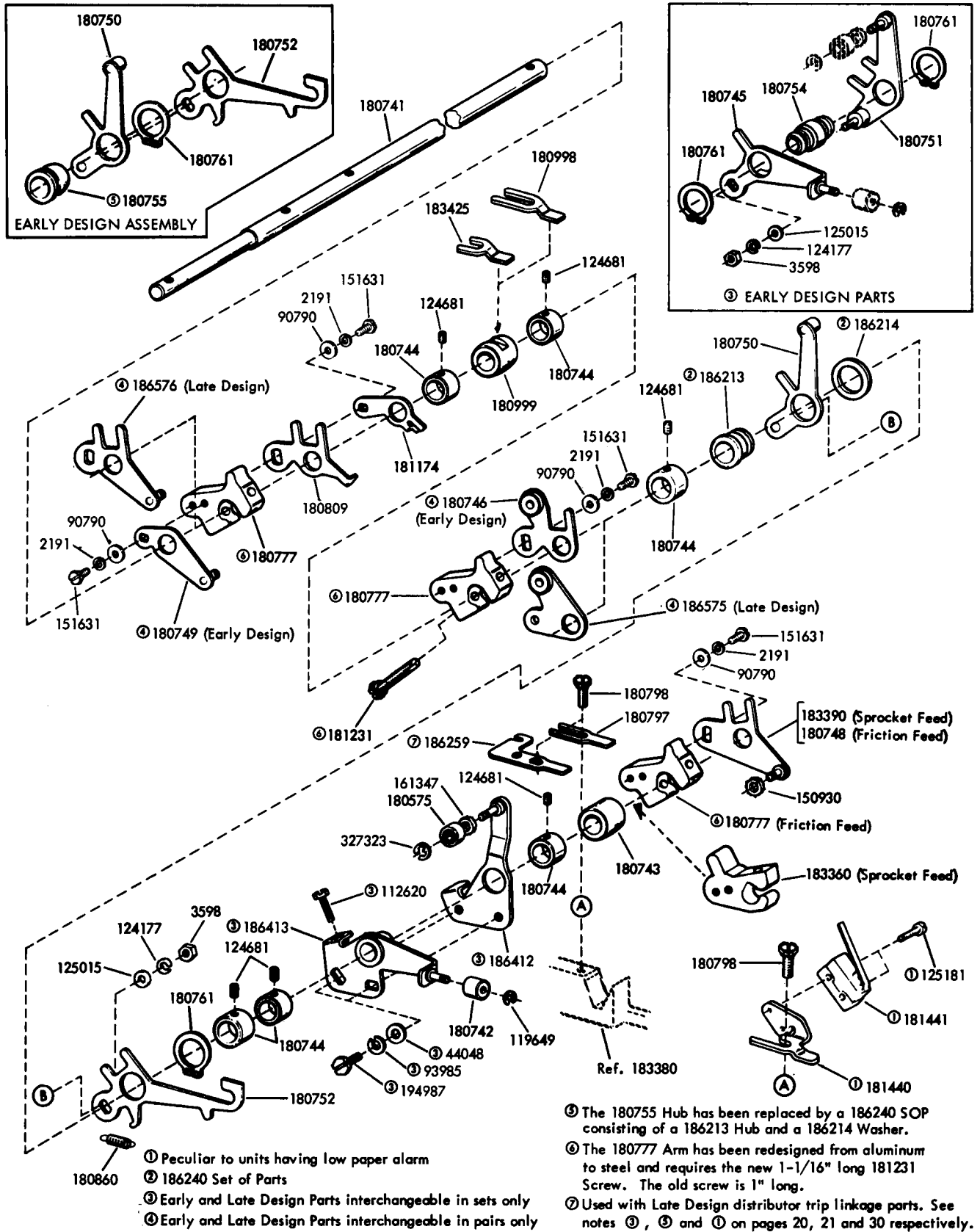


FIGURE 16. FUNCTION SHAFT MECHANISM

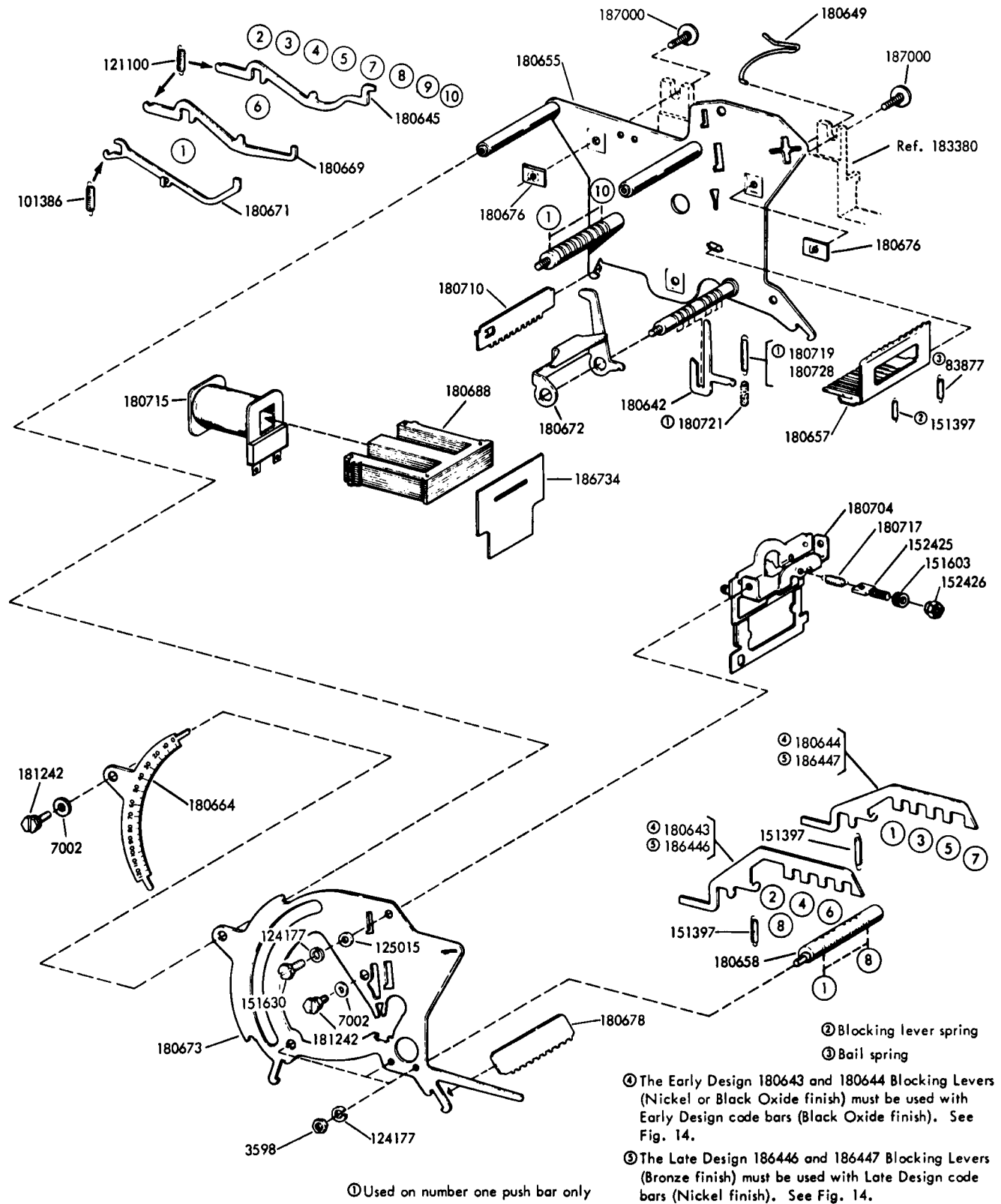


FIGURE 17. SELECTOR FRAME MECHANISM

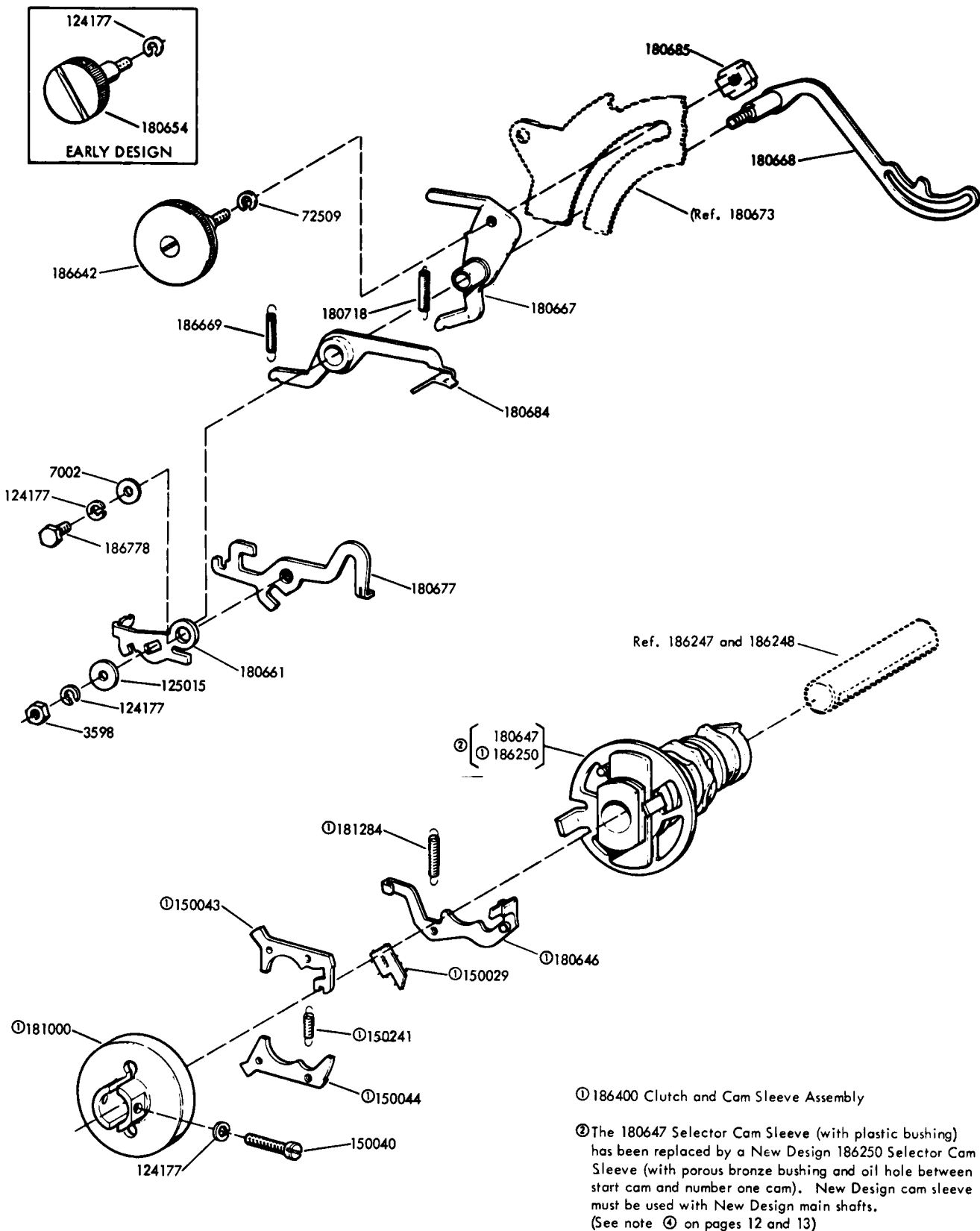


FIGURE 18. CLUTCH AND CAMSLEEVE MECHANISM

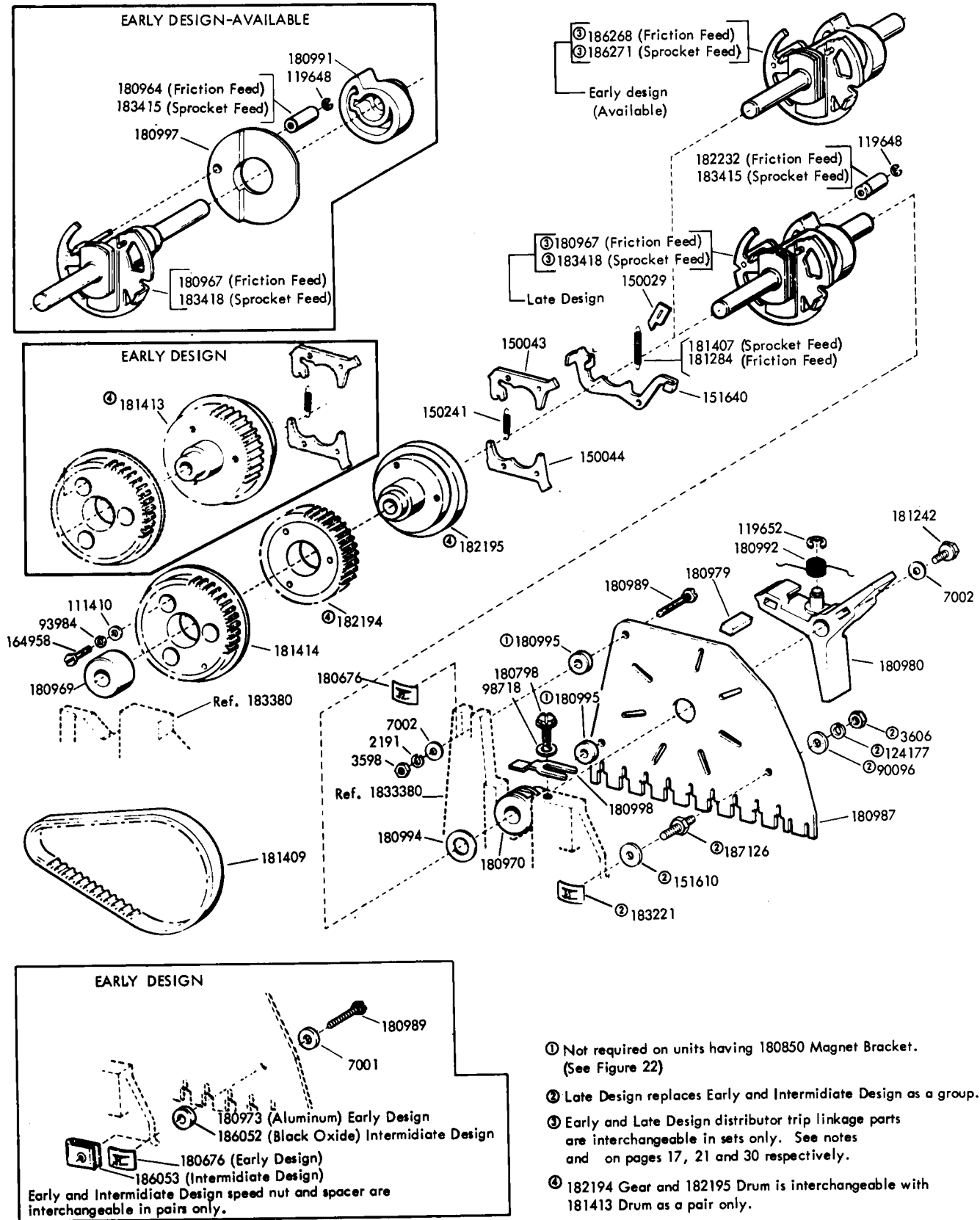
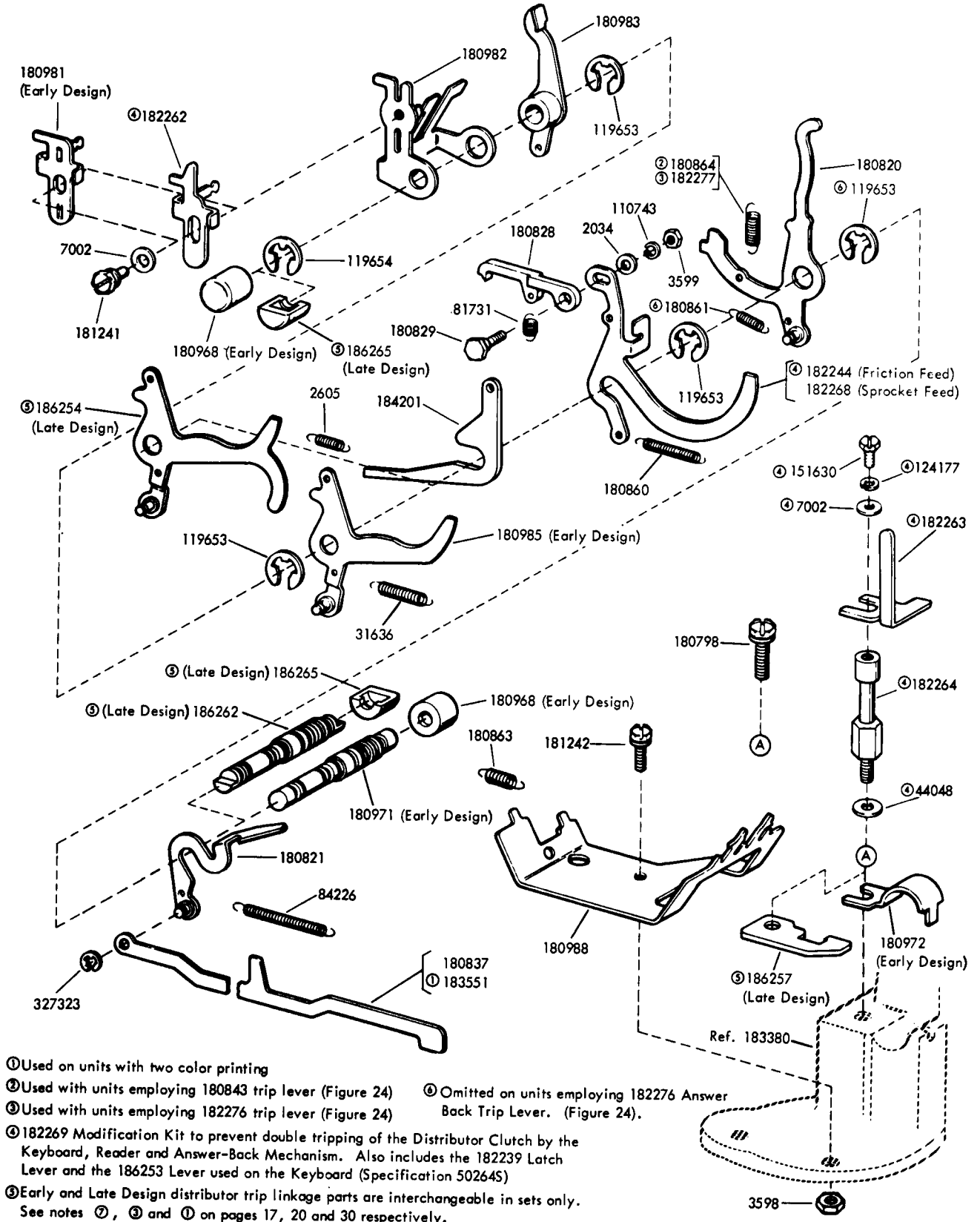


FIGURE 19. DISTRIBUTOR CLUTCH MECHANISM



- ① Used on units with two color printing
- ② Used with units employing 180843 trip lever (Figure 24)
- ③ Used with units employing 182276 trip lever (Figure 24)
- ④ 182269 Modification Kit to prevent double tripping of the Distributor Clutch by the Keyboard, Reader and Answer-Back Mechanism. Also includes the 182239 Latch Lever and the 186253 Lever used on the Keyboard (Specification 502645)
- ⑤ Early and Late Design distributor trip linkage parts are interchangeable in sets only. See notes ②, ③ and ① on pages 17, 20 and 30 respectively.
- ⑥ Omitted on units employing 182276 Answer Back Trip Lever. (Figure 24).

FIGURE 20. TRIP SHAFT MECHANISM

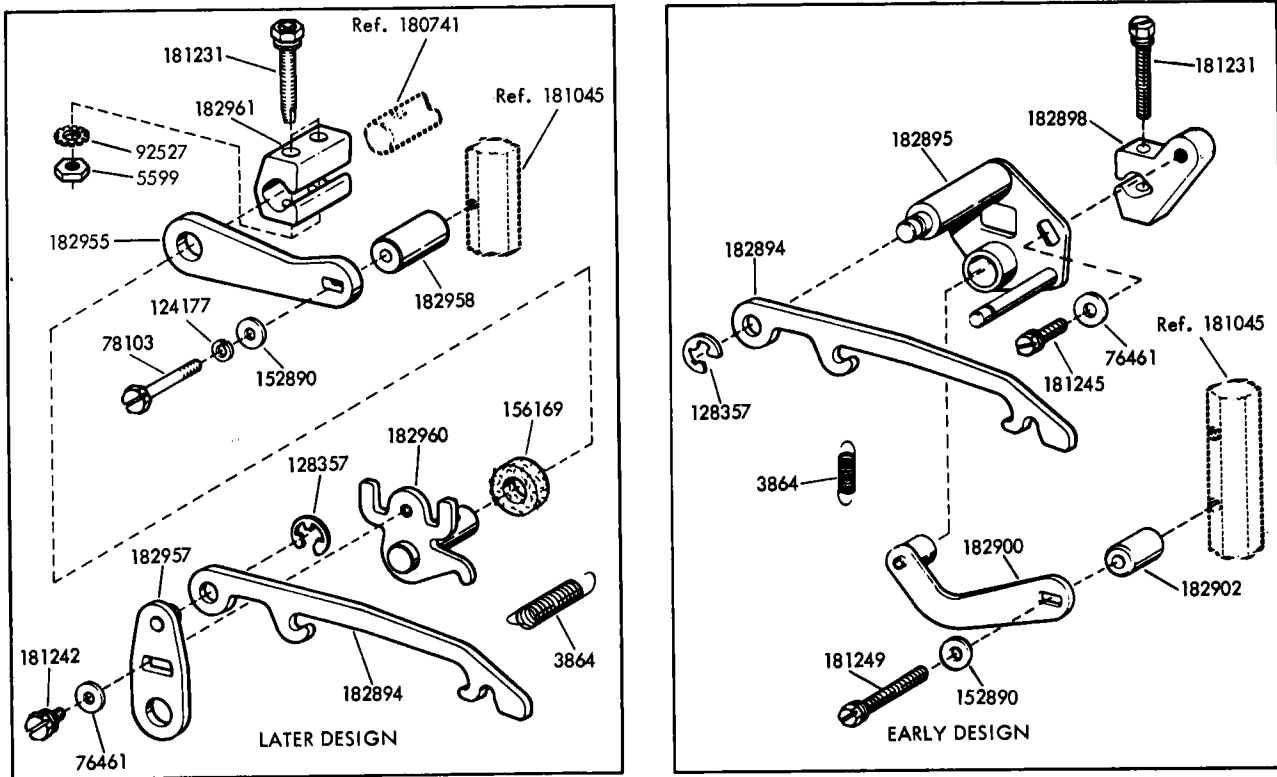


FIGURE 21. 182964 DRIVE ARM ASSEMBLY

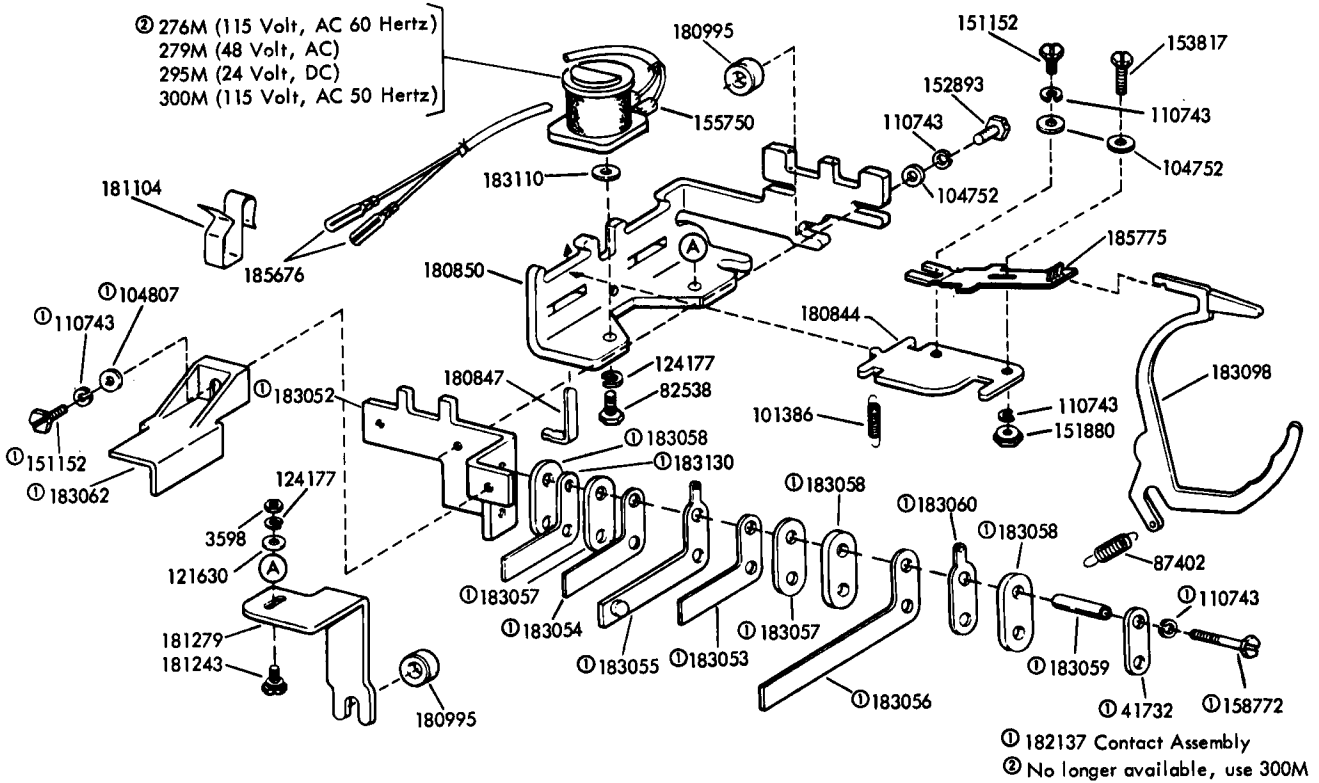


FIGURE 22. CLUTCH TRIP MECHANISM

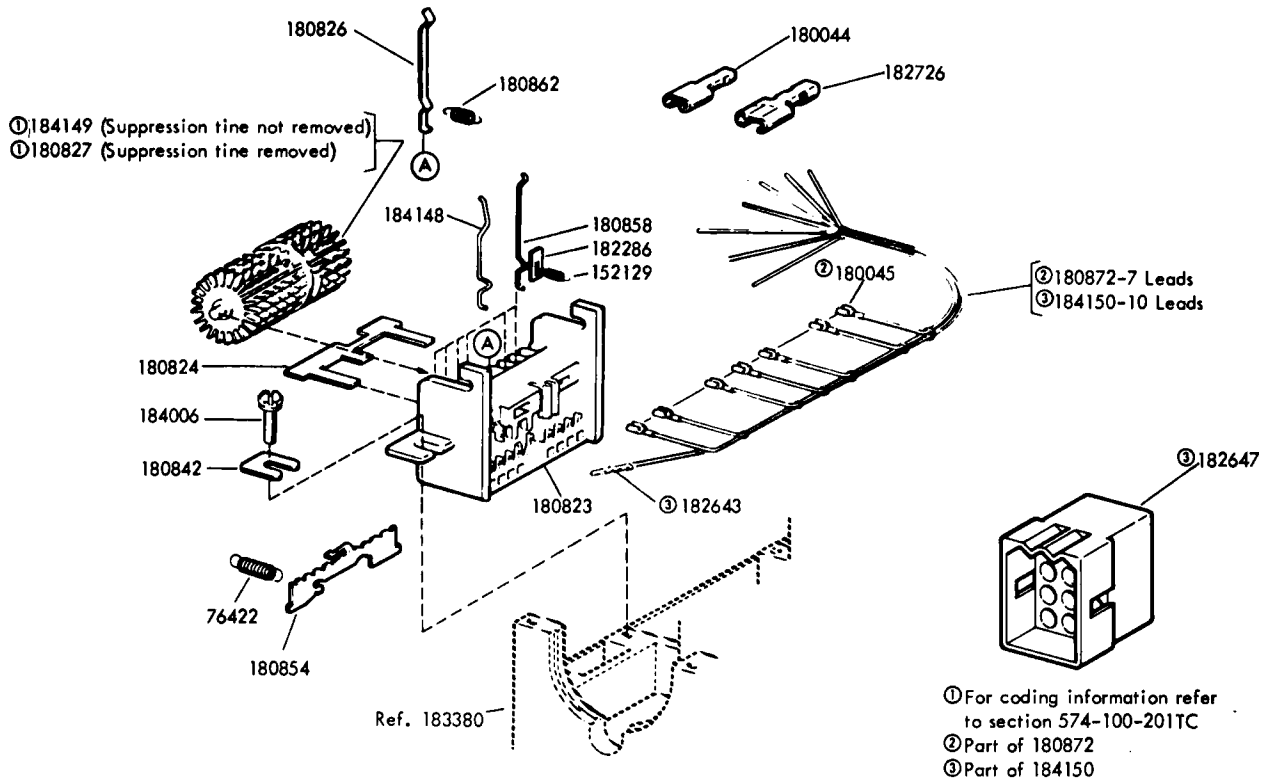


FIGURE 23. ANSWER-BACK DRUM MECHANISM

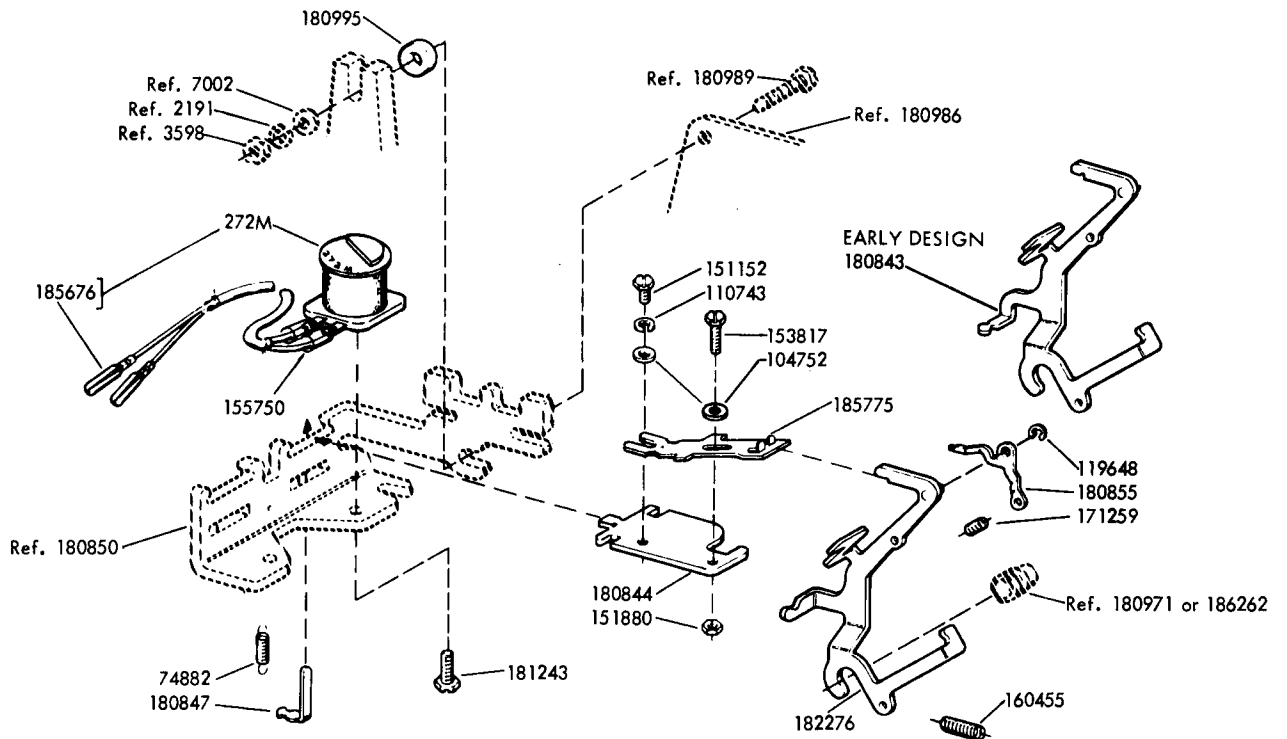


FIGURE 24. ANSWER-BACK TRIP MAGNET MECHANISM

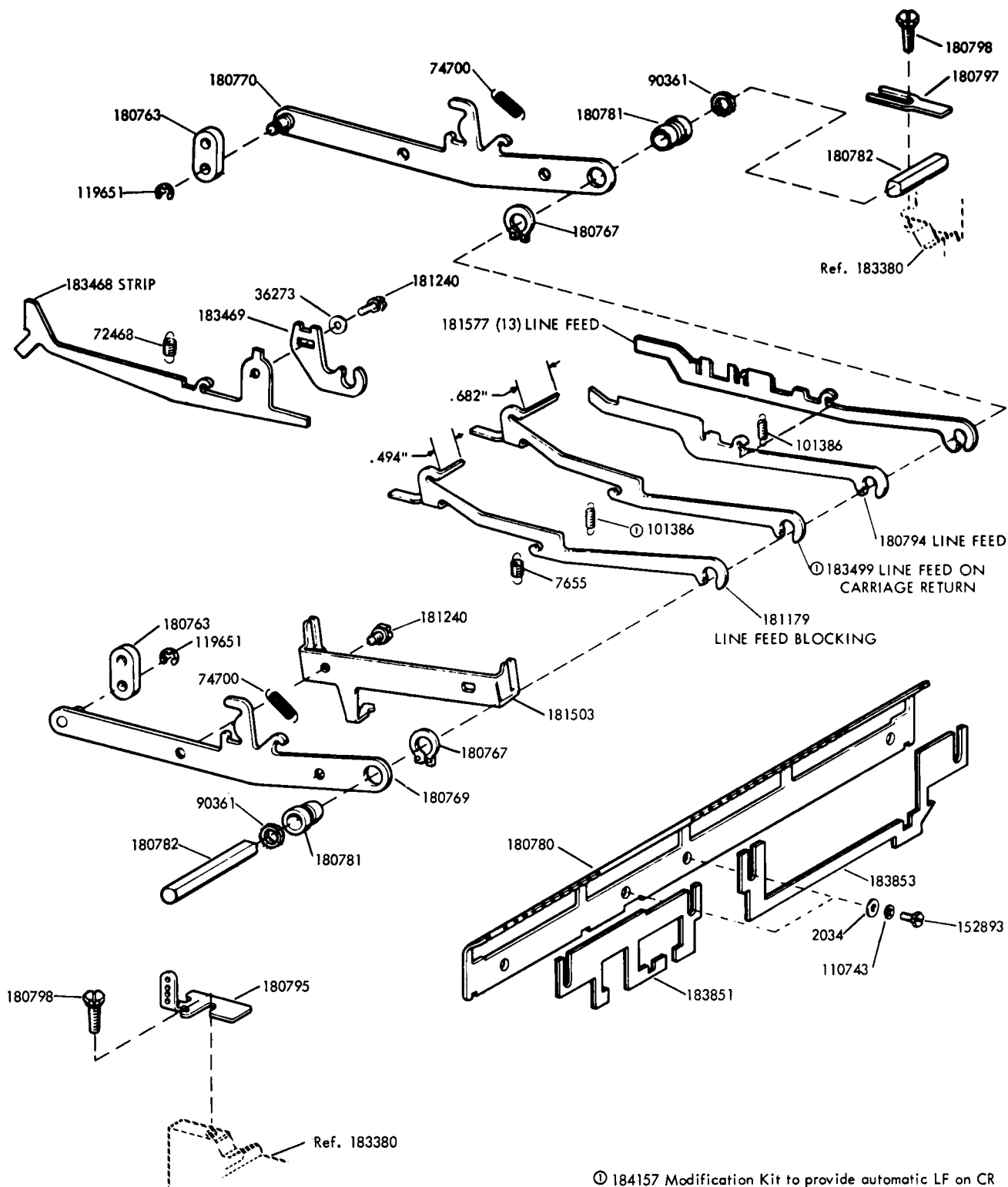


FIGURE 25. LINE FEED FUNCTION LEVER MECHANISM



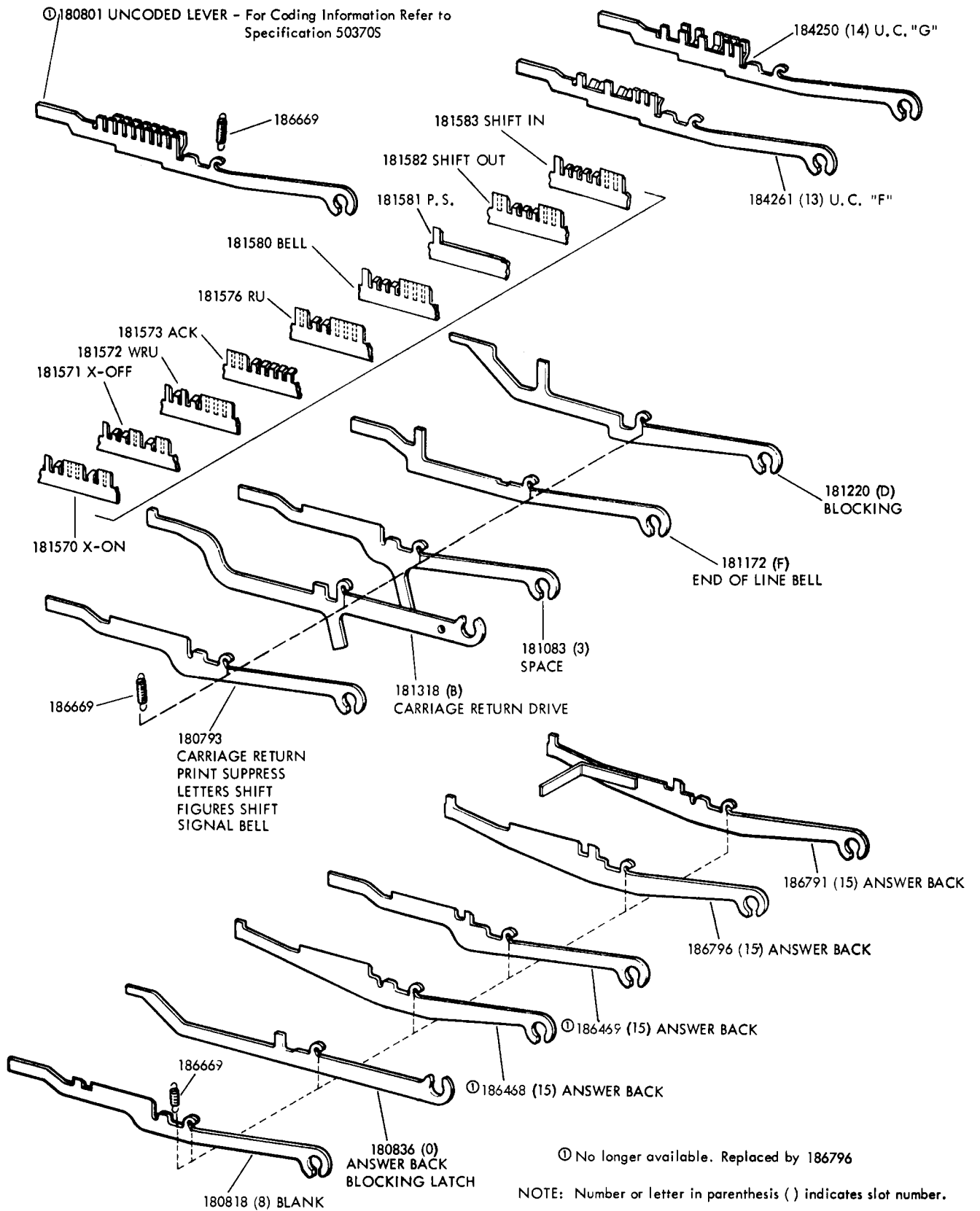


FIGURE 26. FUNCTION LEVERS

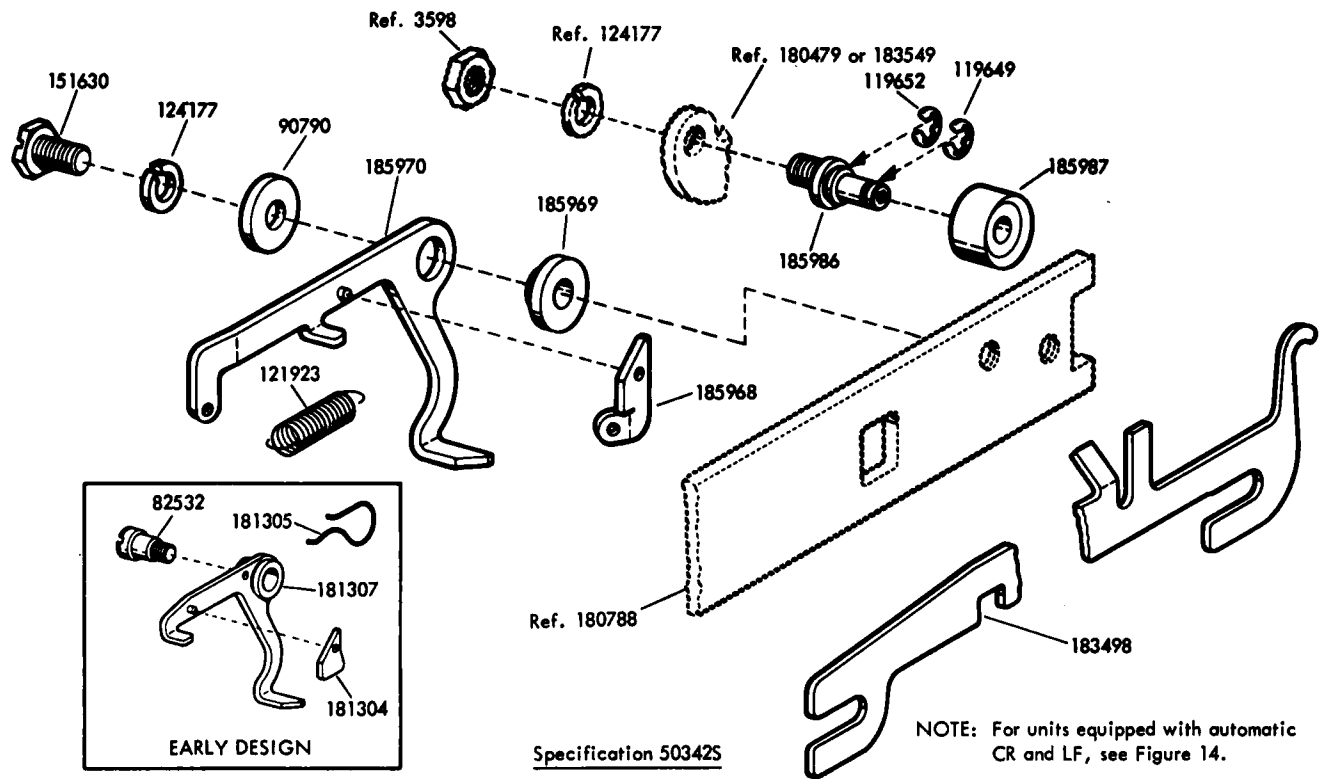


FIGURE 27. 185971 MODIFICATION KIT TO PROVIDE PRINTER WITH AN END-OF-LINE BELL TO RING ON APPROXIMATELY THE 62ND CHARACTER

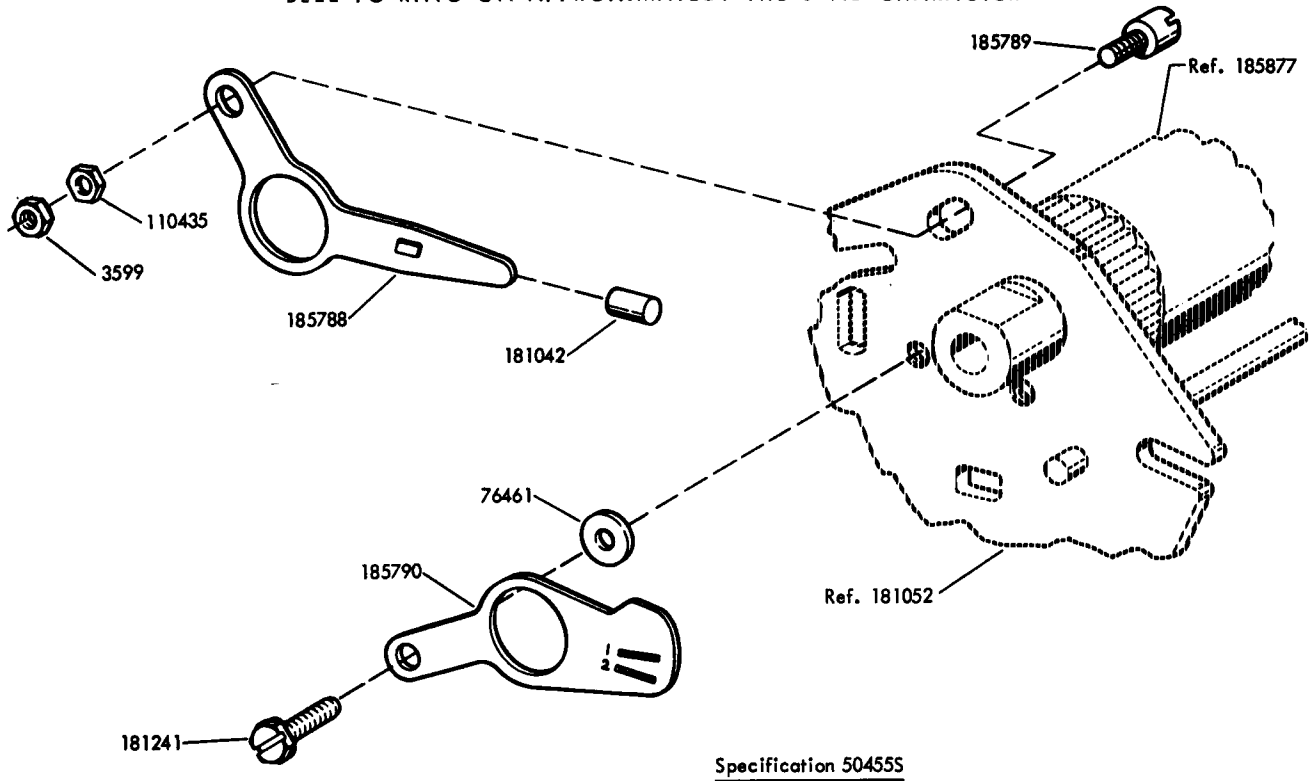
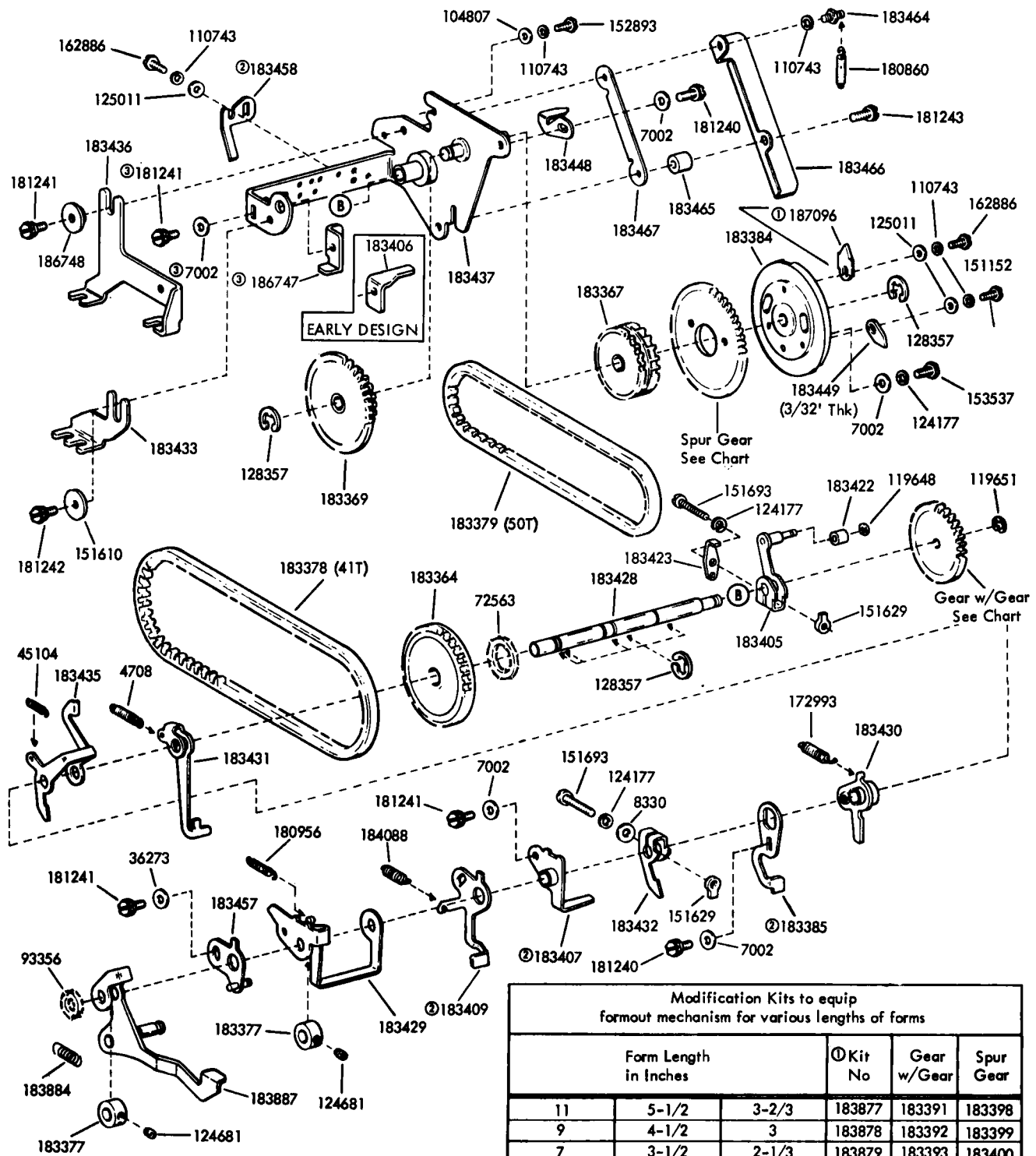


FIGURE 28. 185791 MODIFICATION KIT TO PROVIDE CONTROLLED SINGLE OR DOUBLE LINE FEED FEATURE ON FRICTION FEED PRINTER

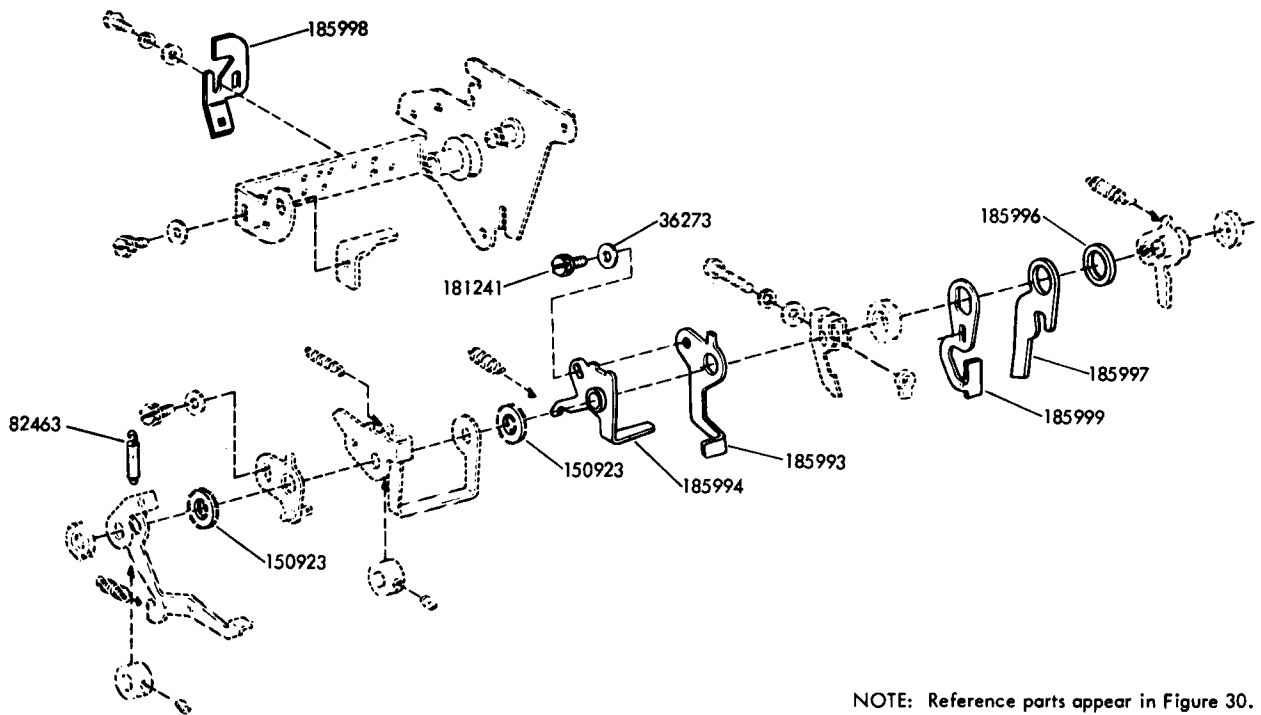




- ① The required number of 187096 Cam Plates and mounting hardware are furnished with each kit (Specification 504105)
- ② Early design parts. See Figure 31 for later design.
- ③ These parts are factory adjusted and fixturized. Should they be loosened, remove and discard them. Then readjust.

Modification Kits to equip formout mechanism for various lengths of forms					
	Form Length in Inches		① Kit No	Gear w/Gear	Spur Gear
11	5-1/2	3-2/3	183877	183391	183398
9	4-1/2	3	183878	183392	183399
7	3-1/2	2-1/3	183879	183393	183400
8	4	2-2/3	183880	183394	183401
8 1/2		2-5/6	183881	183395	183402
10	5	3-1/3	183882	183396	183403
6			183883	183397	183404

FIGURE 30. FORMOUT MECHANISM-SPROCKET FEED



NOTE: Reference parts appear in Figure 30.

FIGURE 31. LATER DESIGN FORMOUT MECHANISM-SPROCKET FEED

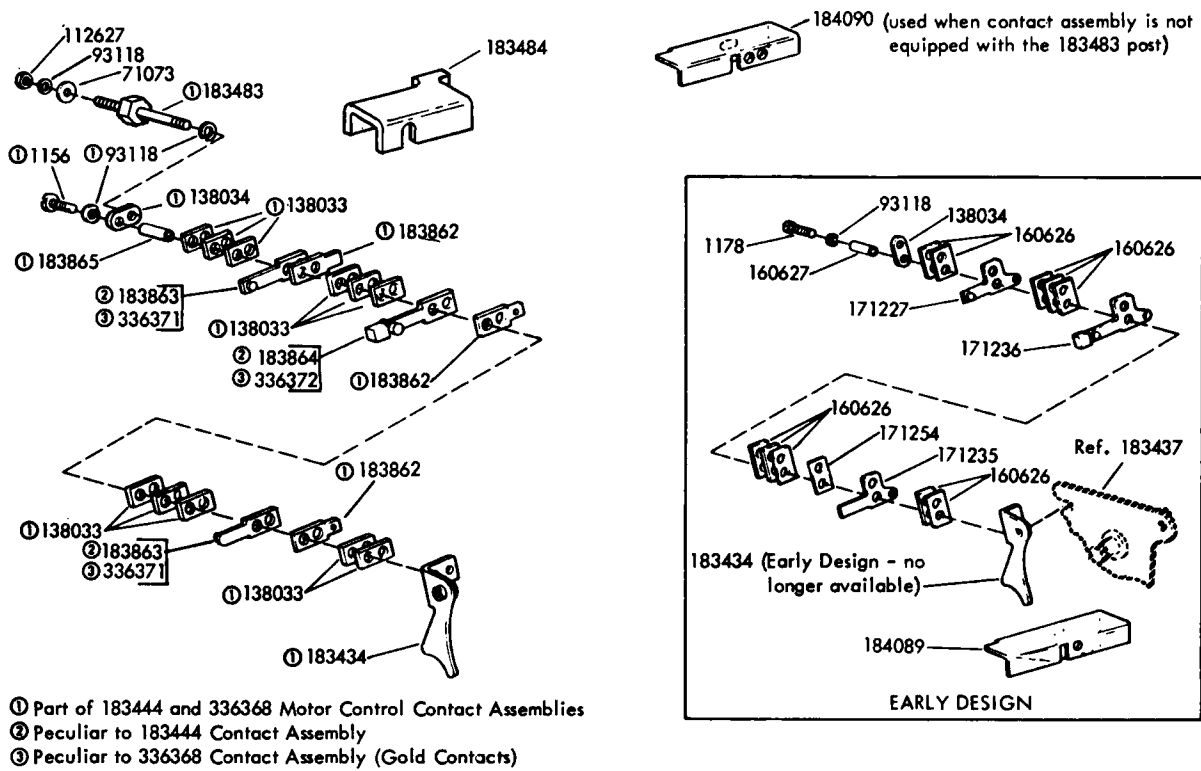
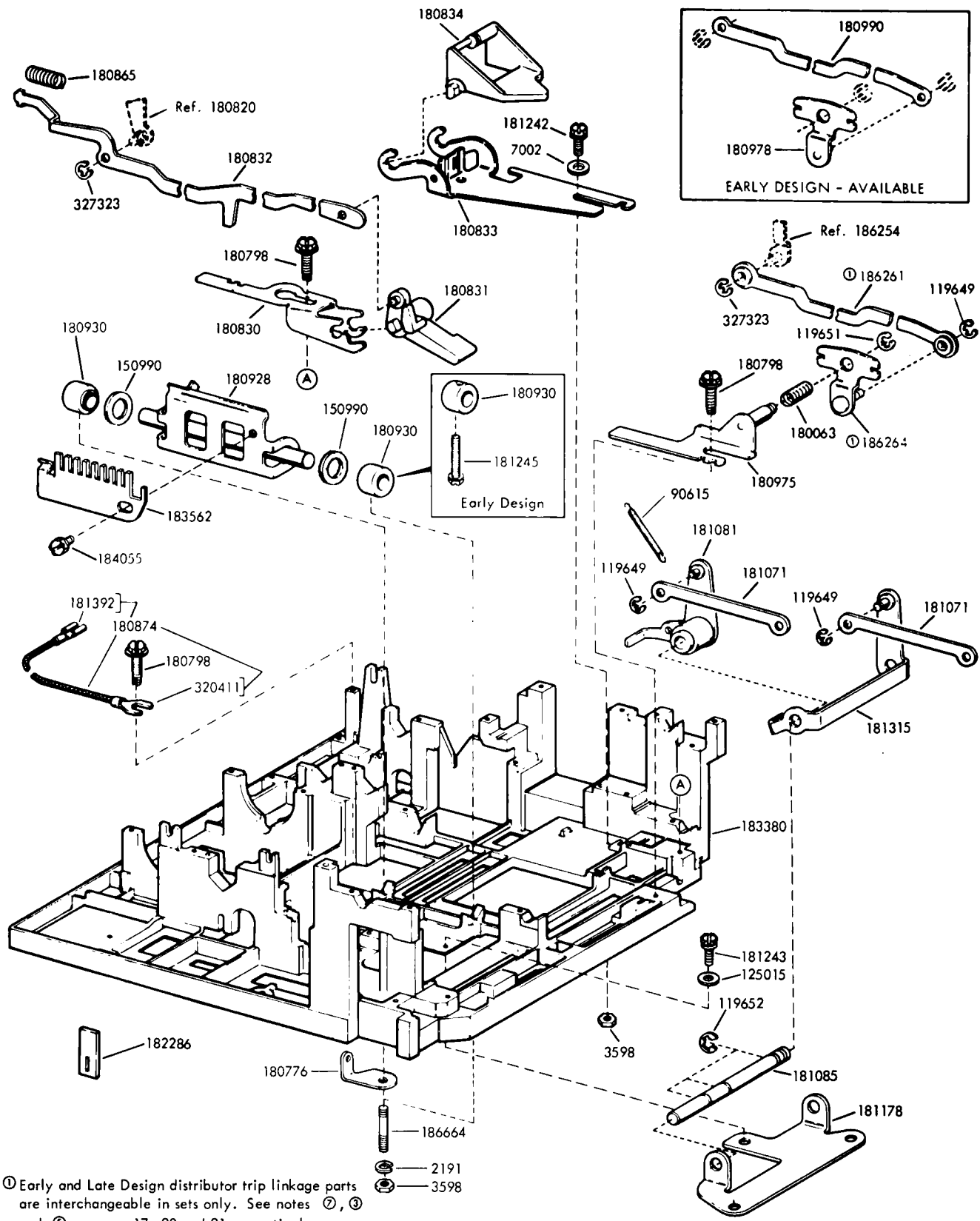
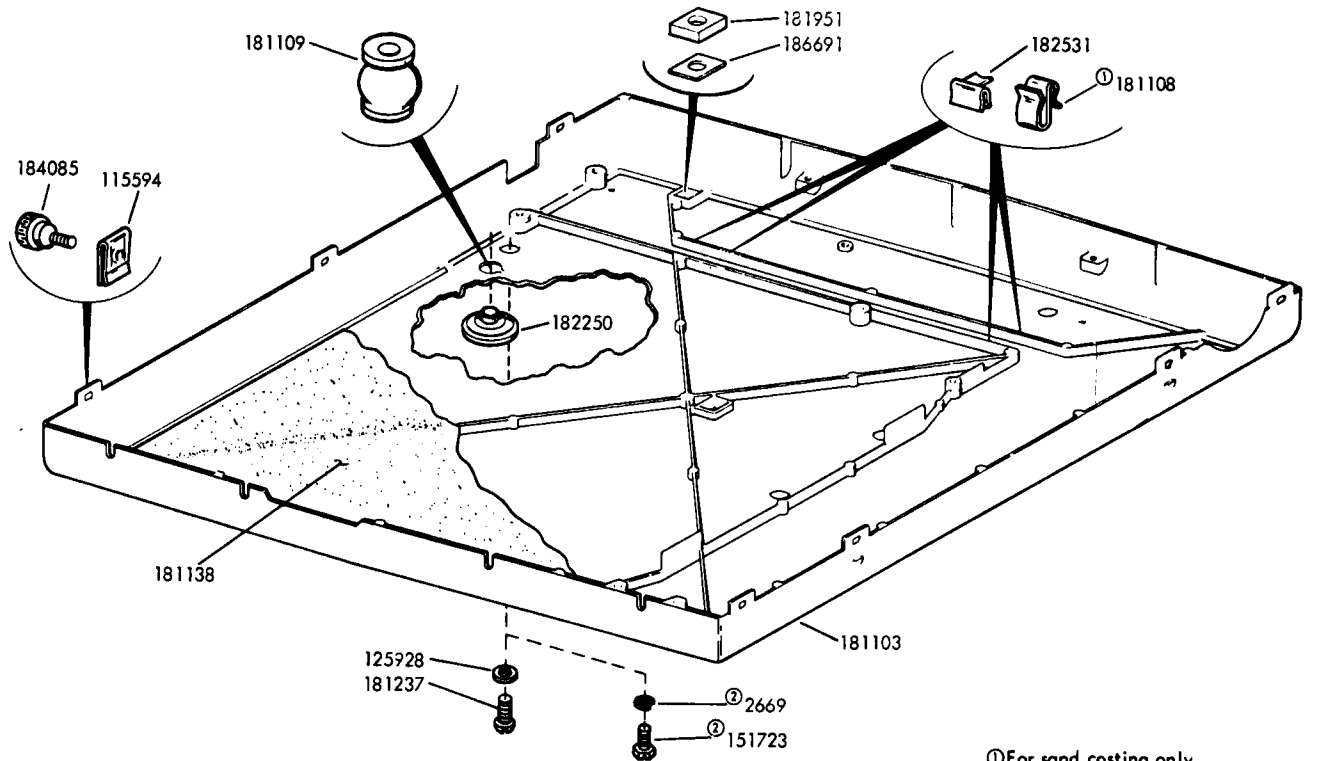


FIGURE 32. MOTOR CONTACT - SPROCKET FEED

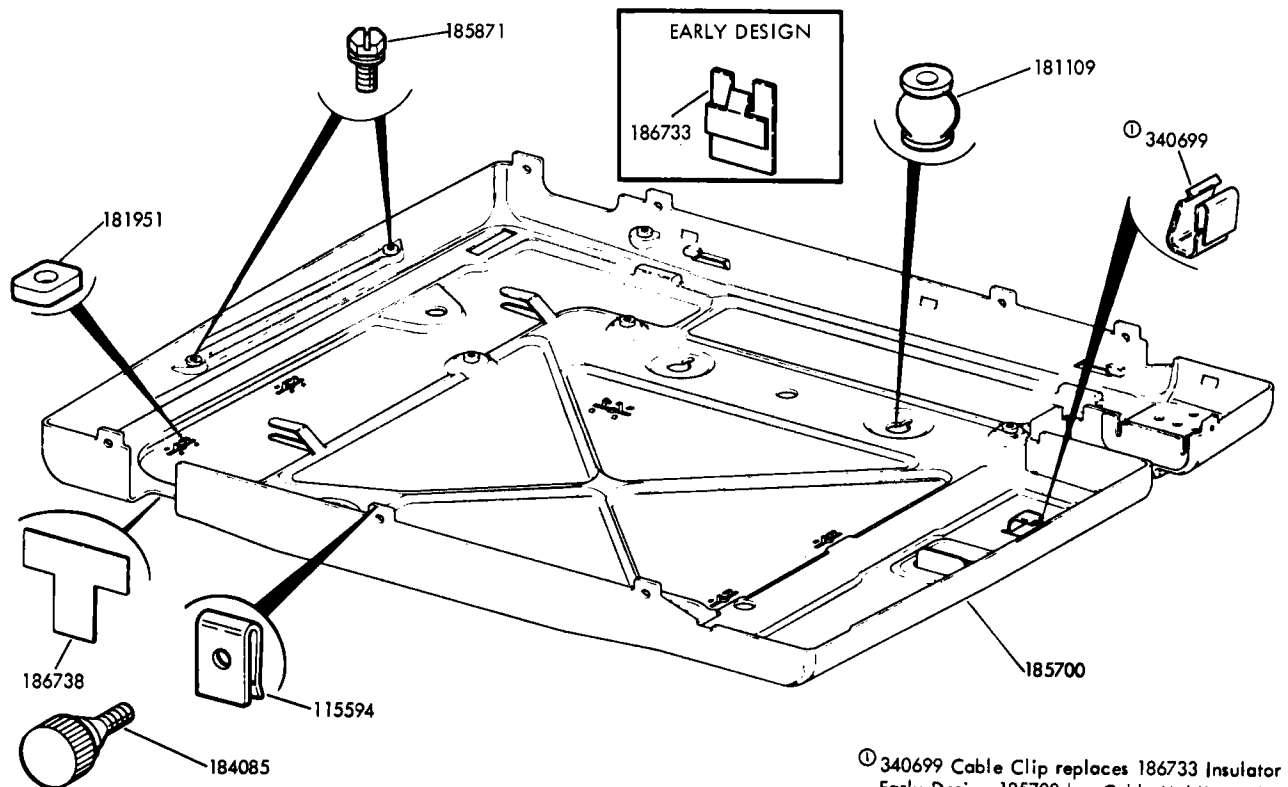


① Early and Late Design distributor trip linkage parts are interchangeable in sets only. See notes ②, ③ and ④ on pages 17, 20 and 21 respectively.

FIGURE 33. BASE



① For sand casting only  
 ② Used on early base having two pem nuts pressed in place



① 340699 Cable Clip replaces 186733 Insulator  
 Early Design 185700 has Cable Holding Tabs  
 Later Design 185700 does not

FIGURE 34. SUB BASES

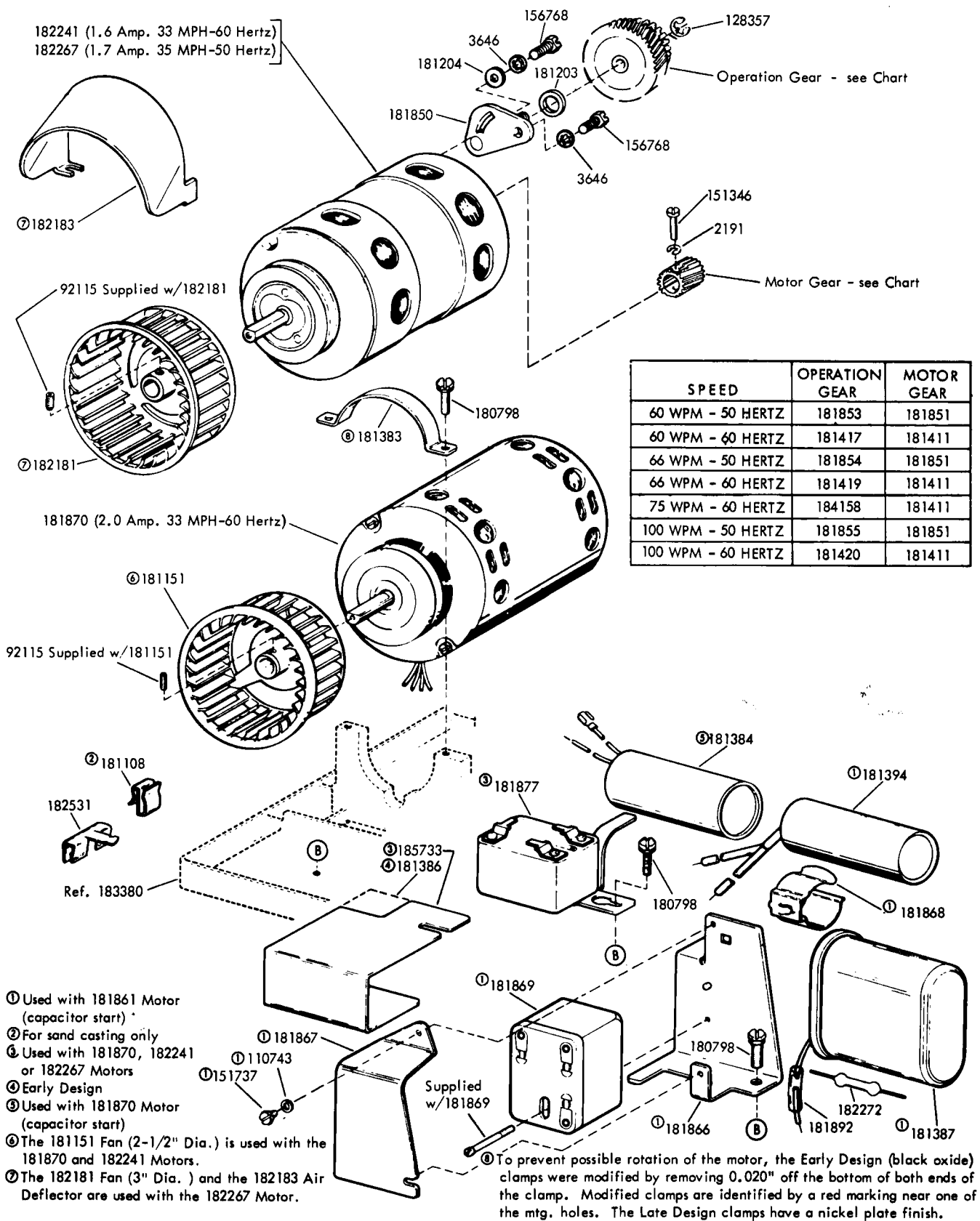


FIGURE 35. MOTORS AND ELECTRICAL COMPONENTS



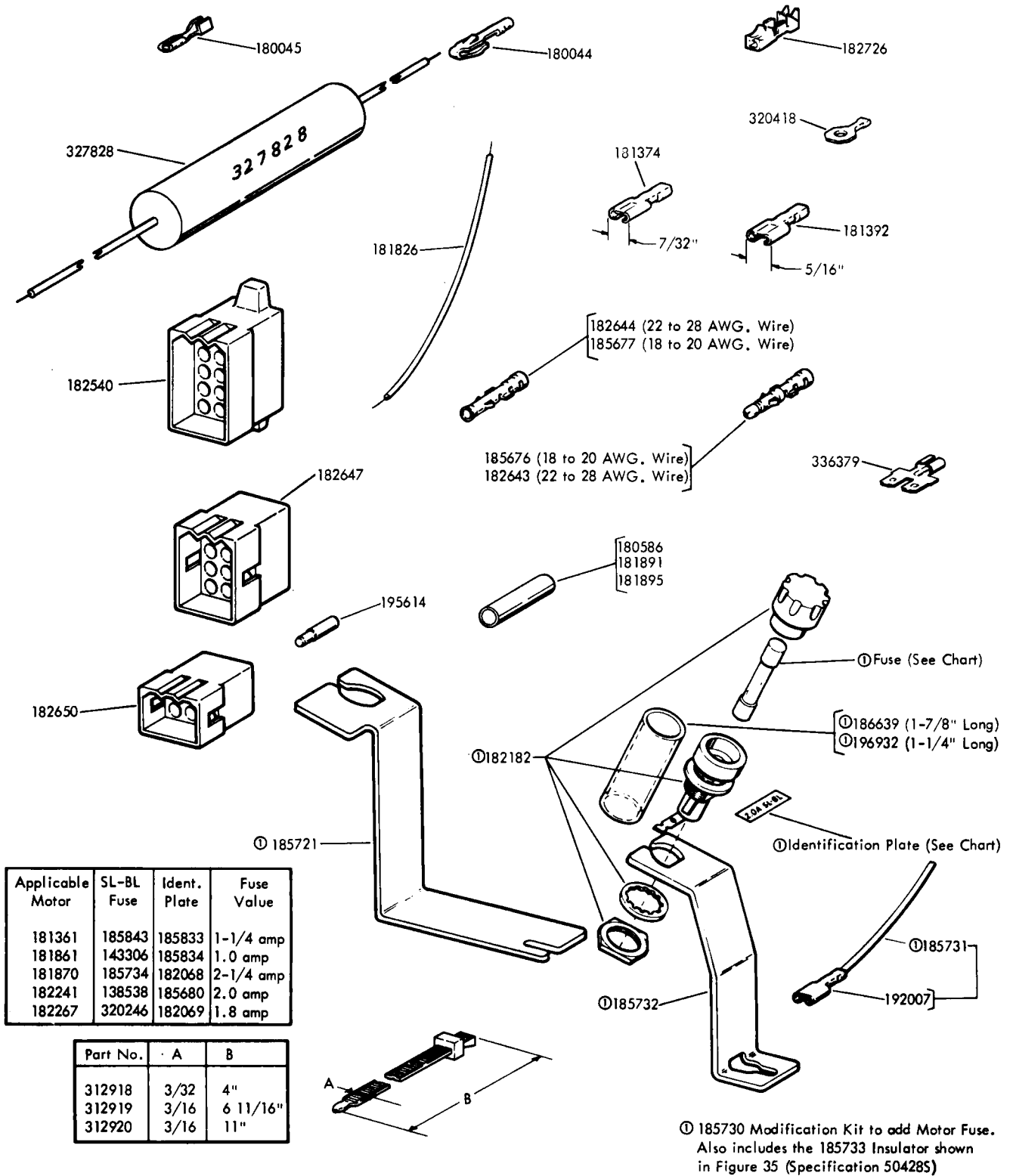


FIGURE 36. CABLE COMPONENTS

## NUMERICAL INDEX

Part Number	Description and Page Number	Part Number	Description and Page Number	Part Number	Description and Page Number
272M	Coil, Magnet 23	72563	Washer, Felt 28	111640	Screw, 2-56 x 7/32 Fil 3
276M	Coil, Magnet 22	74547	Collar 14	112620	Screw, 4-40 x 1/2 Hex 17
279M	Coil, Magnet 22	74700	Spring 24	112626	Nut, 10-32 Hex 6
295M	Coil, Magnet 22	74701	Spring 10,13	112627	Nut, 2-56 Hex 29
300M	Coil, Magnet 22	74722	Washer, Flat 4	112630	Spring 3
1156	Screw, 2-56 x 9/16 Fil 29	74882	Spring 23	112634	Spring 6
1164	Screw, 2-56 x 3/16 Fil 5	76422	Spring 14,23	114107	Spring 10
1178	Screw, 2-56 x 7/16 Fil 29	76461	Washer, Flat 22,26	115594	Nut, Speed 31
1210	Screw, 2-56 x 5/8 Fil 5	78103	Screw, 6-40 x 1-3/16 Hex 22	119421	Washer, Flat 2,5
2034	Washer, Flat 6,10,21,24			119648	Ring, Retaining 8,10,11, 20,23,28
2167	Ball, Bearing 9	80945	Spring 14		
2191	Lockwasher, 2,4,7,9,12,13, 17,20,23,30,32	81726	Terminal 14	119649	Ring, Retaining 3,4,7,8, 9,10,11,14,16,17,26,30
2605	Spring 11,21	81731	Spring 8,21	119651	Ring, Retaining 2,3,4,6, 7,8,10,11,12,13,24,28,30
2669	Lockwasher 6,31	82463	Spring 29	119652	Ring, Retaining 4,8,10, 20,26,30
3598	Nut, 6-40 Hex 2,4,6,7,8, 9,10,11,15,17,18,19,20, 21,22,23,26,30	82532	Screw, 6-40 Shoulder 26	119653	Ring, Retaining 6,21
3599	Nut, 4-40 Hex 4,6,7,9,11, 14,16,21,26	82538	Screw, 6-40 x 5/16 Hex 22	119654	Ring, Retaining 6,21
3606	Nut, 6-40 Hex 2,8,20	82548	Insulator, .062" Thk 14	121018	Nut, 4-40 Hex 9
3608	Spring 6	83877	Spring 10,18	121100	Spring 18
3646	Lockwasher 32	84226	Spring 3,21	121630	Washer, Flat 22
3864	Spring 22	84575	Spring 3,8,10	121923	Spring 26
4703	Spring 10	86079	Washer, Felt 11	124177	Lockwasher 2,3,4,7,8,9, 10,11,15,16,17,18,19,20, 21,22,26,28
4708	Spring 28	86283	Spring 16	124612	Screw, 8-32 x 1/2 Hex 2
5599	Nut, 8-32 Hex 22	87398	Washer, Flat 4	124681	Setscrew, 6-40 6,13,14, 17,28
7001	Washer, Flat 20	87402	Spring 22	125011	Washer, Flat 7,16,28
7002	Washer, Flat 2,3,4,5,6,7, 8,9,10,14,16,18,19,20, 21,23,28,30	90096	Washer, Insulating 20	125015	Washer, Flat 15,17,18,19, 30
7655	Spring 24	90361	Washer, Felt 24	125124	Screw, 4-40 Shoulder 14
8330	Washer, Flat 14,28	90432	Washer, Flat 10	125181	Screw, 4-40 Shoulder 17
22746	Spring 15	90615	Spring 3,30	125252	Spring 16
31636	Spring 5,21	90790	Washer, Flat 10,16,17,26	125802	Washer, Flat 16
33765	Washer, Flat 3	92115	Setscrew, 8-32 32	125928	Washer, Flat 31
36273	Washer, Flat 13,24,28, 29	92527	Lockwasher 22	128357	Ring, Retaining 22,28,32
41732	Plate, Clamp 14,22	93117	Lockwasher 3,5	138033	Insulator, .031" Thk 5, 29
42661	Spring 10	93118	Lockwasher 5,29	138034	Plate, Clamp 5,29
44048	Washer, Flat 17,21	93356	Washer, Felt 28	138538	Fuse, SL-BL 2 Amp 33
45027	Spring 8	93984	Lockwasher 20	143306	Fuse, SL-BL 1 Amp 33
45104	Spring 28	93985	Lockwasher 2,5,17	150026	Lever, Shoe Release 12, 13
47024	Washer, Flat 11	97117	Ribbon w/Spool, Red-Black 11	150029	Wick, Felt 12,13,19,20
49420	Spring 16	98718	Washer, Flat 20	150040	Screw, 6-40 x 5/8 Fil 14,19
70388	Spring 10	100759	Screw, 4-40 x 3/16 Flat 12	150043	Shoe, Secondary Clutch 12,13,19,20
71073	Washer, Flat 5,29	101386	Spring 4,18,22,24		
71681	Spool, Ribbon 6,11	104752	Washer, Flat 22,23		
72468	Spring 24	104807	Washer, Flat 7,11,22,28		
72509	Lockwasher, 19	107116	Lockwasher 6		
		108943	Bushing 14		
		110435	Nut, 4-40 Hex 26		
		110743	Lockwasher 4,6,7,9,10,11, 14,16,21,22,23,24,28,32		
		111410	Washer, Flat 9,20		

## NUMERICAL INDEX (Continued)

Part Number	Description and Page Number	Part Number	Description and Page Number	Part Number	Description and Page Number
150044	Shoe, Primary Clutch 12, 13,19,20	156572	Washer, Felt 9,11	180492	Arm 8
150241	Spring 12,13,19,20	156768	Screw, 8-32 x 9/32 Hex 32	180493	Lever, Trip 8
150830	Bushing, Shoulder 13	158186	Screw, 4-40 x 7/32 Fil 4	180495	Link, Ribbon 7
150841	Bearing 12,13	158189	Washer, Felt 10	180496	Arm, Stop 8
150923	Washer, Felt 29	158772	Screw, 4-40 x 5/8 Hex 22	180497	Spring, Print Hammer 7
150930	Washer, Felt 12,13,17	160455	Spring 23	180498	Bracket 6
150990	Washer, Felt 30	160626	Insulator, .031" Thk 29	180500	Frame 6,7,8,9
151152	Screw, 4-40 x 3/16 Hex 7, 9,10,11,22,23,28	160627	Bushing, Insulating 29	180501	Arm w/Stud 7,8
151346	Screw, 6-40 x 3/8 Fil 32	161346	Washer, Felt 10	180502	Head, Print Hammer 7
151397	Spring 18	161347	Washer, Felt 17	180503	Shaft w/Spacer 7,9
151413	Washer, Flat 10	162573	Retainer 13	180505	Guideplate, Left 7
151603	Spacer 18	162886	Screw, 4-40 x 7/32 Hex 28	180506	Guideplate, Right 7
151610	Washer, Flat 20,28	164958	Screw, 4-40 x 1/2 Hex 20	180508	Stud, Eccentric 8,11
151629	Nut, 6-40 Lug 6,14,28	171227	Spring, Contact 29	180509	Slide, No. 3 Pulse 8
151630	Screw, 6-40 x 1/4 Hex 9, 18,21,26	171235	Spring, Contact 29	180510	Slide, Common 8
151631	Screw, 6-40 x 5/16 Hex 3, 17	171236	Spring, Contact 29	180511	Slide, No. 1 and No. 2 Pulse 8
151640	Lever, Shoe Release 20	171254	Insulator, .015" Thk 29	180512	Slide w/Plates 8
151658	Screw, 6-40 x 5/16 Fil 12,13	171259	Spring 23	180513	Slide, No. 5 Pulse 8
151693	Screw, 6-40 x 9/16 Fil 7,28	172993	Spring 28	180514	Slide, No. 4 Pulse 8
151722	Screw, 6-40 x 3/16 Hex 4	173807	Setscrew, 6-40 4	180517	Latchlever 8
151723	Screw, 10-32 x 3/8 Hex 31	180044	Terminal, Tab Type 23,33	180518	Plate 7
151728	Spring 12,13	180045	Terminal, Tab Type 23,33	180519	Rack 7
151733	Screw, 4-40 x 9/16 Fil 14	180063	Spring, Compression 30	180520	Arm 8
151737	Screw, 4-40 x 11/64 Hex 6,11,32	180460	Typewheel, JA 27	180521	Slide, Print Suppression 8
151880	Nut, 4-40 Hex 9,10,11,22,23	180463	Post, Bail Pivot 10	180522	Bushing 8
152129	Spring 23	180464	Pulley, Carriage Return Spring 10	180526	Bail w/Stud 9
152425	Post, Spring 18	180466	Ring, Retaining 9	180528	Lever w/Hub 9
152426	Nut, 6-40 Self-Locking 18	180467	Bearing, Ball 9	180534	Guideplate 7
152441	Washer, Flat 4	180468	Bearing, Ball 9	180537	Link 8,11
152890	Washer, Flat 22	180469	Link 8,9	180538	Shaft 8
152893	Screw, 4-40 x 1/4 Hex 7, 16,22,24,28	180470	Roller 8	180539	Bail w/Stud 8,11
153267	Washer, Felt 6,11	180471	Block 9	180540	Bail, Print Hammer 7,8
153537	Screw, 6-40 x 9/32 Hex 28	180473	Shaft 9	180541	Plate w/Posts 6,7
153799	Screw, 4-40 x 21/64 Hex 6,16	180474	Stud 9	180543	Base, Ribbon Unit 6,11
153817	Screw, 4-40 x 3/8 Hex 4, 6,22,23	180475	Bushing 9	180544	Bail, Drive 10
155750	Sleeve, 3/32 ID x 1/2" Lg Insulating 22,23	180476	Screw, 6-40 Spl 8	180545	Bracket 10
156169	Washer, Felt 22	180477	Bracket 8	180546	Post 10
156509	Washer, Flat 10	180478	Guide, Nylon 8	180547	Stud, Eccentric 6
156536	Screw, 4-40 x 1/8 Fil 9	180479	Bracket 8,26	180548	Plate 7
156558	Washer, Felt 10	180480	Arm w/Stud 9	180549	Bracket 7
		180482	Arm w/Shaft 7	180552	Post 7
		180483	Arm, Stop 8	180553	Spring 9
		180484	Arm, Stop 8	180554	Bushing 7
		180485	Arm w/Spring 9	180555	Spring 7
		180486	Link 8	180556	Plate, Gauge 9
		180487	Stud 9	180557	Lever w/Stud 8
		180488	Shaft 7	180558	Collar 8
		180489	Lever w/Pin 6	180559	Shaft 8
		180491	Shaft 9		

## NUMERICAL INDEX (Continued)

Part Number	Description and Page Number	Part Number	Description and Page Number	Part Number	Description and Page Number
180562	Link, Left Ribbon 7	180684	Latchlever, 19	180796	Clamp 16
180563	Stud, Eccentric 7	180685	Nut, 6-40 Spl 19	180797	Clamp 10,17,24
180564	Bracket, Lock 7	180688	Core, Magnet 18	180798	Screw, 8-32 Self-Tapping 2,5,6,10,12,13,14,15,16, 17,20,21,24,30,32
180566	Hub w/Pinion 9	180704	Armature 18	180801	Lever w/Bracket 25
180568	Bracket, Guide 7	180710	Olate w/Post 18	180806	Camsleeve 12
180569	Spring, Compression 7	180715	Coil, Magnet 18	180807	Camsleeve 12,13
180571	Plate 9	180717	Spring 18	180808	Spacer, .050" Thk 12
180574	Stud, Eccentric 9	180718	Spring 19	180809	Arm 17
180575	Bearing, Ball 9,17	180719	Spring 18	180813	Pawl, Function 16
180576	Bearing, Ball 9	180721	Wick, Felt 18	180818	Lever, Function 25
180578	Bracket w/Post 10	180728	Spring 18	180820	Lever, Control 21,30
180579	Bracket w/Hub 9	180740	Bail 16	180821	Lever w/Stud 21
180580	Lever w/Stud 8,9	180741	Shaft, Function 17,22	180823	Block, Contact 23
180581	Roller, Typewheel 7	180742	Roller 17	180824	Contact, Common 23
180584	Lever 9	180743	Bearing, Right 17	180826	Lever, Detent 23
180585	Spring 8	180744	Collar 6,17	180827	Drum, Answer Back 23
180586	Sleeve, 5/32 ID x 21/32" Lg Insulating 8,33	180745	Arm w/stud 17	180828	Pawl, Feed 21
180591	Spring 7	180746	Arm w/Bushing 12,13,17	180829	Screw, 4-40 Shoulder 21
180595	Setscrew, 4-40 8	180748	Arm w/Stud 17	180830	Bracket 30
180596	Typewheel, JB 27	180749	Arm w/Stud 17	180831	Lever 30
180597	Typewheel, JC 27	180750	Arm w/Studs 17	180832	Link, Tie 30
180606	Bail 9	180751	Arm w/Studs 17	180833	Bracket, Adjusting 30
180607	Arm, Adjusting 9	180752	Lever, Function 17	180834	Bail, Trip 30
180608	Bracket, Left 2,5	180754	Hub 17	180835	Pawl, AB Blocking 16
180610	Shield 7	180755	Hub 17	180836	Lever, Blocking Function 25
180642	Pushbar 18	180761	Ring, Retaining 17	180837	Link, Blocking 21
180643	Lever, Blocking 18	180763	Link 24	180842	Spacer, 050" Thk 23
180644	Lever, Blocking 18	180767	Ring, Retaining 14,16,24	180843	Lever, Trip 21,23
180645	Lever, Selector 18	180768	Ring, Retaining 12,13	180844	Armature 22,23
180646	Lever, Shoe Release 19	180769	Link, Left 24	180847	Bracket, Spring 22,23
180647	Camsleeve 19	180770	Link, Right 24	180850	Bracket, Magnet 20,22,23
180648	Arm, Follower 14	180771	Arm 16	180854	Brace 23
180649	Spring 18	180772	Shaft 16	180855	Latch, Blocking 23
180654	Knob, Range 19	180773	Plate 16	180858	Contact, Wire 23
180655	Plate, Side 18	180774	Arm, Eccentric Follower 12,13	180860	Spring 17,21,28
180657	Bracket, Guide 18	180776	Bracket 30	180861	Spring 21
180658	Shaft, Guide 18	180777	Arm, Drive 17	180862	Spring 23
180661	Bracket 19	180779	Bracket 16	180863	Spring 16,21
180664	Scale, Range 18	180780	Blade 24	180864	Spring, Extension 21
180667	Plate w/Bushing 19	180781	Hub 16,24	180865	Coil, Adjusting 30
180668	Follower, Cam 19	180782	Shaft, Pivot 24	180872	Cable w/Terminals 23
180669	Locklever, Spacing 18	180783	Casting, Function 16	180874	Strap, 4-1/2" Braided 30
180671	Lever, Start 18	180788	Plate, Rear Rail 16,26	180921	Bracket, Spring 15
180672	Bail 18	180789	Roller 16	180922	Spring 15
180673	Plate, Front 18,19	180791	Arm w/Stud 16	180923	Bracket w/Studs 15
180676	Nut, No. 6 Speed 18,20	180792	Pawl, Function 16	180925	Clamp 15
180677	Arm, Trip 19	180793	Lever 25	180926	Ring, Retaining 15
180678	Plate, Spring 18	180794	Lever, Line Feed 24		
180682	Upstop 10	180795	Bracket, Spring 24		

## NUMERICAL INDEX (Continued)

Part Number	Description and Page Number	Part Number	Description and Page Number	Part Number	Description and Page Number
180927	Ring, Retaining 14	181002	Bearing 12,13	181070	Lever, Suppression 10
180928	Bail 30	181003	Latchlever, 14	181071	Link 10,30
180930	Bearing 30	181004	Hub 14	181072	Bracket w/Post 6
180940	Codebar, No. 5-0 15	181005	Link, Carriage 10,12	181074	Pulley 6
180941	Codebar, No. 5-1W 15	181006	Bushing 14	181075	Belt, 127T 6
180942	Codebar, No. 5-2W 15	181007	Shaft, Main 12	181076	Roller 10
180943	Codebar, No. 5-3W 15	181008	Collar 12,13	181077	Ratchet, Spacing 6
180944	Codebar, No. 5-4W 15	181010	Lever w/Stud 14	181078	Stud 10
180945	Codebar, No. 5-5 15	181011	Lever w/Nut 14	181079	Washer, Flat 6
180947	Codebar, Print Suppression 15	181012	Spacer 14	181081	Arm w/Hub and Post 30
180948	Codebar, Auto CR and EOL Bell 15	181013	Spacer, .453" Thk 14	181082	Eccentric, Toggle Link 10
180949	Bracket, Rear Tie 15	181014	Grommet, Rubber 14	181083	Lever 25
180950	Bracket, Front Tie 15	181015	Gear, 35T 12,13	181084	Bracket 6
180951	Codebar, No. 5-4B 15	181017	Plate 14	181085	Shaft 30
180952	Codebar, No. 5-3B 15	181018	Shaft 14	181086	Lever w/Hub 10
180953	Codebar, No. 5-2B 15	181019	Lever, Trip 14	181088	Post 10
180954	Codebar, No. 5-1B 15	181020	Lever 14	181089	Arm w/hub 10
180956	Spring 4,15,28	181021	Spacer, .406" Thk 14	181091	Link w/Post, Toggle 10
180964	Roller 20	181022	Bracket, Left 12,13,14	181092	Bracket, Belt 6
180967	Shaft, Distributor 20	181023	Bracket, Right 14	181093	Bracket, Extension 6
180968	Buffer 21	181028	Camalieve 12	181094	Bracket w/Post 10
180969	Bearing 20	181030	Bracket w/Stud 2	181103	Cover, Base 31
180970	Bearing 20	181034	Platen 2	181104	Clip, Cable 22
180971	Shaft, Trip 21,23	181037	Bracket, Right 2	181108	Clip, Cable 31,32
180972	Clamp, Buffer 21	181038	Bracket, Left 2,5,9	181109	Mount, Vibration 31
180973	Disk, Spacer 20	181039	Knob, Platen 2	181111	Pawl, Feed 6,11
180975	Bracket w/Stud 30	181040	Pawl, Detent 2,4	181113	Spring, Compression 6,11
180978	Lever w/Stud 30	181041	Retainer 2,4	181114	Lever 6,11
180979	Brush, Carbon 20	181042	Tip, Rubber 3,26	181115	Stud 6,11
180980	Holder, Brush 20	181044	Roller, Pressure 3	181116	Arm, Reverse 6
180981	Arm, Stop 21	181045	Post, Support 2,5,22	181117	Pawl, Retaining 6,11
180982	Bail, Trip 21	181048	Bracket, Stop 2	181118	Spring 6,11
180983	Lever, Latch 21	181049	Arm, Right 3	181119	Spring 6,11
180985	Lever, Follower 21	181050	Arm, Left 3	181120	Spring, Compression 4,6, 11
180986	Disc, 5 Level 23	181051	Bracket, Left 3	181121	Pin 6,11
180987	Disc, 8 Level 20	181052	Plate 2,26	181122	Disc 6,11
180988	Bracket, Spring 21	181053	Bail, Paper Straightener 3	181123	Nut, 4-40 Spl 6,11
180989	Screw, No. 6 Spl 20,23	181054	Shaft, Pressure 3	181124	Post 6
180990	Link, Keyboard 30	181055	Bar 2,3	181125	Ratchet, Left Ribbon 6,11
180991	Cam, Blocking 20	181056	Guideplate, Pressure Roller 3	181126	Ratchet, Right Ribbon 6, 11
180992	Spring, Torsion 20	181057	Bracket, Right 3	181129	Ribbon w/Spool 6
180994	Spacer, .015" Thk 20	181058	Guideplate, Paper 3	181138	Pad 31
180995	Spacer, .114" Thk 20,22,23	181062	Eccentric, Toggle Link 10	181151	Fan 32
180997	Disc w/Plate 20	181065	Pawl, Check 10	181164	Shaft w/Link 3
180998	Clamp 17,20	181066	Shaft, Spacing Drum 6	181165	Pawl, Feed 3
180999	Bearing, Left 17	181067	Pawl, Feed 10	181166	Bracket, Line Feed 3
181000	Drum, Clutch 12,13,19	181068	Lever w/Post 10	181168	Bellcrank w/Studs 3
181001	Bearing 12,13	181069	Drum, Spacing 6	181172	Lever, Function 25

## NUMERICAL INDEX (Continued)

Part Number	Description and Page Number	Part Number	Description and Page Number	Part Number	Description and Page Number
181173	Stud, Feed Pawl Stop 2	181312	Latch, Carriage Return 6	181523	Spring 2,4
181174	Guide 17	181314	Link w/Post 10	181524	Nut, 2-56 Shoulder 3
181175	Plate, Stripper 3	181315	Bail w/Post 30	181525	Guide, Paper 3
181176	Link, Adjusting 3	181316	Shaft 10	181570	Lever 25
181178	Bracket 30	181317	Hub, Carriage Return Lever 10	181571	Lever 25
181179	Lever, Blocking 24			181572	Lever 25
181191	Spring, Compression 9	181318	Lever, Actuating 25	181573	Lever 25
181193	Cylinder 2,5	181319	Lever, Carriage Return 10	181576	Lever 25
181194	Washer, Flat 9	181320	Lever, Unlatch 10	181577	Lever 24
181195	Washer, Cup 9	181322	Pawl, Carriage Return Function 16	181580	Lever 25
181196	Ring, Retaining 9			181581	Lever 25
181197	Plate, Adjusting 2,5	181323	Spring 8	181582	Lever 25
181198	Bumper 9	181324	Pawl, Stop Function 16	181583	Lever 25
181199	Piston 9	181325	Pawl, Automatic Carriage Return 16	181826	Jumper, 2" Black 33
181203	Washer, Flat 32			181850	Plate w/Stud 32
181204	Washer, Flat 32	181326	Arm 6	181851	Pinion, 17T 32
181220	Lever, Blocking 25	181327	Latch 6	181853	Pulley w/66T Gear, 16T 32
181221	Pawl, Blocking Function 16	181328	Lever 10	181854	Pulley w/60T Gear, 16T 32
		181361	Motor, 115V AC Synchronous 33	181855	Pulley w/40T Gear, 16T 32
181222	Pawl, Figs Function 16			181861	Motor, 115V AC Synchronous 32,33
181230	Plate 10	181374	Terminal, Tab Type 33		
181231	Screw, 8-32 Self-Tapping 17,22	181383	Clamp, Motor 32	181866	Bracket 32
181237	Screw, 1/4-14 Self- Tapping 31	181384	Capacitor, 88-108 MFD 32	181867	Insulator 32
		181386	Insulator 32	181868	Clip, Speed 32
181240	Screw w/Lockwasher, 6-40 x 3/16 Hex 2,5,10,14,24, 28	181387	Capacitor, 5 MFD 32	181869	Relay, Motor Start 32
		181392	Terminal, Tab Type 30,33	181870	Motor, 115V AC Synchronous 32,33
181241	Screw w/Lockwasher, 6-40 x 1/4 Hex 8,10,13,14,16, 21,26,28,29,32	181394	Capacitor, 47-56 MFD 32		
		181405	Plate 14	181877	Relay w/Bracket 32
181242	Screw w/Lockwasher, 6-40 x 5/16 Hex 2,3,4,5,7,8, 12,13,18,20,21,22,28,30	181406	Roller 14	181891	Sleeve, 3/16 ID x 2-1/2" Lg Insulating 33
		181407	Spring 20		
181243	Screw w/Lockwasher, 6-40 x 3/8 Hex 6,8,22,23,28,30	181409	Belt, 47T 20	181892	Sleeve, 9/64 ID x 1" Lg Insulating 32
		181411	Pinion, 18T 32		
181245	Screw w/Lockwasher, 6-40 x 1/2 Hex 2,7,22,30	181413	Drum, Clutch 20	181895	Sleeve, 9/64 ID x 3/8" Lg Insulating 33
		181414	Pulley, 34T 20		
181246	Screw w/Lockwasher, 6-40 x 5/8 Hex 12,13,14	181417	Pulley w/68T Gear, 13T 32	181951	Insert, Nylon 31
		181419	Pulley w/62T Gear, 13T 32	181952	Stud 2
181249	Screw w/Lockwasher, 6-40 x 1 Hex 22	181420	Pulley w/54T Gear, 17T 32	181983	Screw, 6-40 x 5/8 Spl 16
		181424	Nut, 6-40 Sq 12,13	182022	Bearing Assembly 9
181278	Clamp 10,16	181425	Plate 12	182047	Clutch Assembly 12,13
181279	Bracket 22	181426	Plate, Spacer 12	182068	Plate, Identification 33
181284	Spring 19,20	181427	Plate, Nut 12	182069	Plate, Identification 33
181286	Bushing 16	181440	Bracket, Switch 17	182137	Contact Assembly 22
181302	Typewheel, JD 27	181441	Switch 17	182155	Plate, Right 7
181304	Latch 26	181461	Gong 16	182156	Plate, Left 7
181305	Spring 26	181464	Clapper 16	182157	Bushing, Shoulder 7
181307	Lever w/Post 26	181500	Link, Drive 3	182181	Fan 32
		181501	Upstop, Line Feed Link 3	182182	Holder, Fuse 33
		181503	Bracket, Guide 24	182183	Deflector, Air 32
		181521	Spring, Platen 3	182194	Gear, 40T 20
		181522	Guide, Paper 3	182195	Drum, Clutch 20

## NUMERICAL INDEX (Continued)

Part Number	Description and Page Number	Part Number	Description and Page Number	Part Number	Description and Page Number
182232	Roller 20	182902	Spacer, .469" Thk 22	183356	Washer, Supporting 4
182237	Pawl, Function 16	182955	Link, Support 22	183357	Spring, Compression 4
182239	Latchlever 21	182957	Plate 22	183358	Plate 5
182241	Motor, 60 Hertz Synchronous 32,33	182958	Spacer 22	183360	Arm 17
182244	Lever, Cam Follower 21	182960	Plate 22	183361	Disc 13
182250	Foot, Rubber 31	182961	Sleeve 22	183364	Pulley w/20T Gear, 30T 28
182262	Arm, Stop 21	182964	Arm Assembly, Drive 1,22	183367	Pulley w/28T Gear, 21T 28
182263	Bracket 21	183052	Bracket, Contact 22	183369	Pulley w/35T Gear, 21T 28
182264	Stud 21	183053	Stiffener, Front 22	183371	Bearing, Sleeve 13
182267	Motor, 50 Hertz Synchronous 32,33	183054	Stiffener, Rear 22	183372	Lever, Shoe Release 13
182268	Lever, Cam Follower 21	183055	Spring, Contact 22	183373	Disc, 6 Stop 13
182269	Modification Kit 21	183056	Spring, Contact 22	183374	Disc, 6 Stop 13
182272	Resistor, 10 Ohm 32	183057	Insulator, .031" Thk 22	183376	Collar 13
182276	Lever, Answer Back Trip 21,23	183058	Insulator, .062" Thk 22	183377	Collar 28
182277	Spring 21	183059	Bushing, Insulating 22	183378	Belt, 41T 28
182286	Insulator, .032" Thk 23, 30	183060	Terminal, Lug 22	183379	Belt, 50T 28
182288	Typewheel, JE 27	183062	Cover, Contact 22	183380	Casting, Frame 2,5,6,8, 10,12,13,14,15,17,18,20, 21,23,24,30,32
182289	Typewheel, JF 27	183098	Lever, Trip 22	183381	Washer, Flat 13
182296	Typewheel, JJ 27	183110	Shim, .004" Thk 22	183382	Shaft, Main 13
182300	Codebar, No. 5-0 15	183130	Insulator 22	183383	Pulley 15T 13
182301	Codebar, No. 5-1W 15	183221	Nut, Speed 20	183384	Disc 28
182302	Codebar, No. 5-2W 15	183301	Guideplate, Paper 4	183385	Arm, Stop 28
182303	Codebar, No. 5-3W 15	183303	Knob, Disengaging 4	183387	Pawl, Function 16
182304	Codebar, No. 5-4W 15	183304	Knob, Sprocket 4	183388	Pawl, Function 16
182305	Codebar, No. 5-5 15	183308	Plate, Right 4,5	183389	Arm 13
182306	Codebar, No. 5-1B 15	183309	Plate, Left 4,5	183390	Arm w/Stud 17
182307	Codebar, No. 5-2B 15	183310	Platen 4	183391	Gear, 16T 28
182308	Codebar, No. 5-3B 15	183313	Bar 4	183392	Gear, 20T 28
182309	Codebar, No. 5-4B 15	183314	Guide, Right Paper 4	183393	Gear, 40T 28
182318	Codebar, R 15	183315	Guide, Left Paper 4	183394	Gear, 20T 28
182531	Clip, Speed 31,32	183316	Bracket 4	183395	Gear, 24T 28
182540	Connector, 15 Pt Plug Type 33	183317	Bracket, Right 4	183396	Gear, 20T 28
182643	Terminal, Plug Type 23,33	183318	Bracket, Left 4	183397	Gear, 24T 28
182644	Terminal, Receptacle Type 33	183319	Detent, 21T 4	183398	Gear, 44T 28
182647	Connector, 12 Pt Plug Type 23,33	183320	Pulley, 21T 4	183399	Gear, 45T 28
182650	Connector, 6 Pt Plug Type 33	183321	Sprocket, Feed 4	183400	Gear, 70T 28
182726	Terminal, Receptacle Type 23,33	183322	Pulley, 21T 4	183401	Gear, 40T 28
182894	Link 22	183323	Bracket, Right 5	183402	Gear, 51T 28
182895	Plate w/Bushing 22	183324	Arm, Reverse 6	183403	Gear, 50T 28
182898	Arm 22	183326	Guide, Bracket 6,7	183404	Gear, 36T 28
182900	Link w/Post 22	183330	Guide 6,11	183405	Bail 28
		183335	Guide, Left 4	183406	Bracket, Stop 28
		183336	Guide, Right 4	183407	Arm 28
		183338	Knob w/Pin 4	183408	Arm 13
		183339	Plunger Assembly 4	183409	Arm, Latch 28
		183341	Wheel, Idler 4	183415	Roller 20
		183346	Ring, Retaining 4	183418	Shaft, Distributor 20
		183349	Washer, Felt 4	183422	Roller 28
		183351	Stud, Idler 4		
		183352	Guide, Paper 4		

## NUMERICAL INDEX (Continued)

Part Number	Description and Page Number	Part Number	Description and Page Number	Part Number	Description and Page Number
183423	Bracket, Spring 28	183538	Lever, Stop 11	184085	Screw, 8-32 Thumb 31
183425	Clamp 16,17	183544	Link 8	184088	Spring 28
183426	Clamp 16	183545	Arm, Reverse 6,11	184089	Shield 29
183428	Shaft 28	183548	Guide w/Post 7	184090	Shield 29
183429	Bail 28	183549	Bracket w/Stud 8,26	184096	Bracket 10
183430	Arm 28	183551	Link, Blocking 21	184148	Contact, Wire 23
183431	Bail, Clutch Latch 28	183553	Plate w/Post 6,7	184149	Drum, Answer Back 23
183432	Bail, Reset 28	183555	Bail w/Stud 7	184150	Cable Assembly 23
183433	Bracket, Side 28	183562	Bracket 30	184157	Modification Kit 24
183434	Bracket, Contact Switch 29	183587	Typewheel, JG 27	184158	Pulley w/58T Gear, 14T 32
183435	Bail, Contact Switch 28	183590	Spring, Contact 14	184201	Lever 21
183436	Bracket 28	183591	Spring, Contact 14	184250	Lever w/Bracket 25
183437	Bracket 28,29	183594	Contact Assembly 14	184261	Lever 25
183438	Stud 4	183595	Stiffener 14	184280	Knob Assembly 4
183442	Lever w/Hub 4	183596	Bracket 14	184301	Typewheel, JP 27
183443	Bracket 5	183598	Pawl, Contact 14	184302	Typewheel, JR 27
183444	Contact Assembly 29	183851	Retainer, Left 24	184303	Typewheel, JS 27
183445	Contact Assembly 5	183853	Retainer, Right 24	184304	Typewheel, JT 27
183448	Pointer 28	183861	Plate, Stop 5	184305	Typewheel, JU 27
183449	Plate, Index 28	183862	Terminal 5,29	184306	Typewheel, JV 27
183450	Screw, 4-40 x 7/32 Flat 13	183863	Spring, Contact 5,29	184308	Typewheel, JX 27
183454	Retainer, Spring 4	183864	Spring, Contact 5,29	184309	Typewheel, JY 27
183457	Plate 28	183865	Bushing, Insulating 5,29	184310	Typewheel, JZ 27
183458	Plate, Stop 28	183876	Screw, 6-32 Set 4	184684	Typewheel, JK 27
183464	Post, Spring 28	183877	Modification Kit 28	184687	Typewheel, JL 27
183465	Spacer 28	183878	Modification Kit 28	185676	Terminal, Plug Type 22, 23,33
183466	Bracket 28	183879	Modification Kit 28	185677	Terminal, Receptacle Type 33
183467	Insulator 28	183880	Modification Kit 28	185680	Plate, Identification 33
183468	Lever, Strip 24	183881	Modification Kit 28	185700	Base 31
183469	Plate 24	183882	Modification Kit 28	185721	Bracket, Fuse 33
183474	Modification Kit 6,7	183883	Modification Kit 28	185730	Modification Kit 33
183483	Post 29	183884	Spring 28	185731	Jumper, 3-3/4" Black 33
183484	Cover, Contact 29	183885	Plate w/Hinge 11	185732	Bracket, Fuse 33
183492	Clutch Assembly 13	183887	Bail, L.F. 28	185733	Insulator 32,33
183495	Codebar, 15	183962	Typewheel, JH 27	185734	Fuse, SL-BL 2-1/4 Amp 33
183496	Codebar, 15	183963	Typewheel, JM 27	185775	Extension, Armature 22,23
183497	Codebar, 15	183964	Typewheel, JN 27	185788	Arm 26
183498	Codebar, 15,26	183967	Spring 7	185789	Stud 26
183499	Lever, Blocking 24	183993	Camsleeve 12,13	185790	Plate, Detent 26
183503	Housing, Bearing 9	183994	Link 9,10,12,13	185791	Modification Kit 1,26
183504	Retainer, Bearing 9	183995	Lever 9	185796	Bracket 2
183528	Link w/Stud 11	183996	Link, Toggle 10	185799	Shaft 6
183530	Stud, Eccentric 11	183998	Clutch Assembly 12,13	185816	Screw, 6-40 x 5/16 Spl 2
183532	Bail w/Stud 11	183999	Spacer, 050" Thk 12,13	185833	Plate, Identification 33
183533	Link 11	184006	Screw, 8-32 Self-Tapping 8,14,16,23	185834	Plate, Identification 33
183534	Arm w/Stud 11	184055	Screw w/Lockwasher, 6-40 x 3/16 Hex 30	185843	Fuse, SL-BL 1-1/4 Amp 33
183536	Arm w/Shaft 11	184067	Screw w/Lockwasher, 4-40 x 5/16 Hex 6,11	185871	Screw w/Lockwasher, 8-32 x 3/8 Hex 31
183537	Arm, Release 11				



## NUMERICAL INDEX (Continued)

Part Number	Description and Page Number	Part Number	Description and Page Number	Part Number	Description and Page Number
185877	Platen 2,26	186265	Buffer 21	187000	Screw w/Flat Washer, No. 6 x 1/2 Self-Tapping 18
185920	Knob Assembly 4	186268	Shaft, Distributor 20	187071	Spring 11
185921	Extension, Knob 4	186271	Shaft, Distributor 20	187096	Plate 28
185922	Knob, Platen 4	186400	Clutch Assembly 19	187097	Stud 4
185923	Shaft 4	186412	Arm 17	187098	Wheel, Idler 4
185924	Knob, Disengaging 4	186413	Arm 17	187099	Eccentric 4
185925	Washer, Flat 4	186432	Guideplate 7	187100	Washer, Flat 4
185926	Ring, Retaining 4	186442	Piston 9	187103	Bracket 16
185927	Clip, Spring 4	186443	Bumper 9	187126	Stud 20
185945	Insulator 5	186446	Lever, Blocking 18	188627	Bail w/Stud 11
185947	Insert, Knob 4	186447	Lever, Blocking 18	188827	Lever 11
185968	Latch 26	186468	Lever 25	188828	Bracket 11
185969	Hub 26	186469	Lever, Function 25	188829	Lever, Stop 11
185970	Lever w/Post 26	186536	Set of Parts 9	192007	Terminal, Tab Type 33
185971	Modification Kit 1,26	186575	Arm 12,13,17	194956	Spring 13
185975	Guide 6,11	186576	Arm 17	194987	Screw, 8-32 x 3/8 Hex 5, 17
185986	Post 8,26	186604	Bracket 16	195057	Guard, Contact Spring 14
185987	Roller 8,26	186606	Set of Parts 4	195614	Pin, Key 33
185989	Collar 4	186639	Sleeve, 7/16 ID x 1-7/8"	196932	Sleeve, 7/16 ID x 1-1/4" Lg Insulating 33
185990	Platen 4		Insulating 33	198670	Screw w/Lockwasher, 6-40 x 5/16 Hex 2,3,4,5
185993	Arm, Latch 29	186642	Knob 19	199440	Screw, 6-40 x 5/8 Fil 12, 13
185994	Arm w/Hub 29	186664	Post 30	301477	Filter, 10 Leads 4
185996	Spacer 29	186669	Spring 3,19,25	312918	Strap, Cable 33
185997	Plate, Stop 29	186691	Insert 31	312919	Strap, Cable 33
185998	Plate 29	186692	Post, Eccentric 10	312920	Strap, Cable 33
185999	Arm, Stop 29	186693	Lever 10	320246	Fuse, SL-BL 1.8 Amp 33
186052	Spacer, .183" Thk 20	186694	Lever 10	320411	Terminal, Spade Type 30
186053	Nut, Speed 20	186728	Modification Kit 10	320418	Terminal, Ring Type 33
186175	Bracket 6	186731	Ring, Compression 14	327323	Ring, Retaining 17,21,30
186213	Hub 17	186732	Insulator 7	327828	Filter w/Network 33
186214	Washer, Spl 17	186733	Insulator 31	336368	Contact Assembly 29
186240	Set of Parts 17	186734	Insulator 18	336370	Contact Assembly 5
186247	Shaft 12,19	186738	Insulator 31	336371	Spring, Contact 5,29
186248	Shaft 13,19	186747	Bracket 28	336372	Spring, Contact 5,29
186250	Camsleeve 19	186748	Spacer 28	336379	Adapter 33
186253	Lever w/Hub 21	186770	Shaft 15	340699	Clip, Cable 31
186254	Lever, Cam Follower 21,30	186778	Screw, 6-40 x 7/32 Hex 19		
186257	Clamp, Buffer 21	186791	Lever 25		
186259	Clamp 17	186796	Lever, Function 25		
186261	Link 30	186798	Pawl 16		
186262	Shaft, Trip Pivot 21,23	186802	Pawl, Function 16		
186264	Lever w/Stud 30				

